



Wood-Mizer[®] Sawmill

Parts Manual

LT30 Super
LT40 Super

rev. J2.01 - J3.08
rev. J3.01 - J7.02



Safety is our #1 concern! Read and understand all safety information and instructions before operating, setting up or maintaining this machine.

January 2008

Form #1174

Table of Contents

Section-Page

SECTION 1	GENERAL INFORMATION	1-1
1.1	How To Use The Parts List	1-1
1.2	Sample Assembly	1-1
SECTION 2	BLADE GUIDE ROLLERS & ARM	2-1
2.1	Blade Guide Assembly, Idle Side.....	2-1
	<i>LT40 Super Rev. J5.03 - J7.02</i>	
2.2	Blade Guide Assembly, Idle Side.....	2-4
	<i>LT40 Super Rev. J5.00 - J5.02</i>	
2.3	Blade Guide Assembly, Idle Side.....	2-7
	<i>LT30 Super Rev. J2.01 - J3.08</i>	
	<i>LT40 Super Rev. J3.01 - J4.09</i>	
2.4	Blade Guide Assembly, Drive Side.....	2-10
	<i>LT40 Super Rev. J5.03 - J7.02</i>	
2.5	Blade Guide Assembly, Drive Side.....	2-13
	<i>LT40 Super Rev. J5.00 - J5.02</i>	
2.6	Blade Guide Assembly, Drive Side.....	2-16
	<i>LT30 Super Rev. J2.01 - J3.08</i>	
	<i>LT40 Super Rev. J3.01 - J4.09</i>	
2.7	Blade Guide Arm Drive Assembly.....	2-19
2.8	Blade Guide Arm.....	2-21
	<i>LT40 Super Rev. J5.03 - J7.02</i>	
2.9	Blade Guide Arm.....	2-22
	<i>LT30 Super Rev. J2.01 - J3.08</i>	
	<i>LT40 Super Rev. J3.01 - J5.02</i>	
SECTION 3	BLADE WHEELS & TENSIONER	3-1
3.1	Blade Drive Assembly.....	3-1
3.2	Idle Blade Wheel Assembly	3-3
3.3	Hydraulic Blade Tensioner Assembly.....	3-4
SECTION 4	SAW HEAD	4-1
4.1	Middle Throat Screw	4-1
4.2	Water Lube Solenoid Valve	4-2
4.3	Clutch/Brake Lever Assembly (G36/D42/D47/D51).....	4-3
4.4	Clutch/Brake Lever Assembly (E25)	4-5
4.5	Clutch Mount Assembly.....	4-7
4.6	Brake Assembly.....	4-8
4.7	Water Lube Assembly	4-9
4.8	Saw Head Decals.....	4-11
	<i>LT40 Super Rev. J5.02 (1/08+) - J7.02</i>	
4.9	Saw Head Decals.....	4-12
	<i>LT40 Super Rev. J5.00 (1/07) - J5.02 (12/07)</i>	
4.10	Saw Head Decals.....	4-13
	<i>LT30 Super Rev. J2.01 - J3.08</i>	
	<i>LT40 Super Rev. J3.01 - Rev. J5.00 (12/06)</i>	
4.11	Blade Housing Covers.....	4-14

Table of Contents

Section-Page

4.12	Drive Belt Covers	4-16
	<i>LT40 Super</i> <i>Rev. J5.03 - J7.02</i>	
4.13	Drive Belt Covers	4-17
	<i>LT30 Super</i> <i>Rev. J2.01 - J3.08</i>	
	<i>LT40 Super</i> <i>Rev. J3.01 - J5.02</i>	
4.14	Sawdust Chute	4-19
4.15	Debarker Wire Box/Hole Plugs	4-20
4.16	Board Return Assembly	4-21
SECTION 5	CONTROL & BATTERY BOXES	5-1
5.1	Control Assembly	5-1
	<i>LT30 Super</i> <i>Rev. J3.00 - J3.08</i>	
	<i>LT40 Super</i> <i>Rev. J4.00 - J7.02</i>	
5.2	Control Assembly	5-4
	<i>LT30 Super</i> <i>Rev. J2.01 - J2.03</i>	
	<i>LT40 Super</i> <i>Rev. J3.01 - J3.03</i>	
5.3	Drum Switches	5-7
5.4	Circuit Breakers	5-8
	<i>LT40 Super</i> <i>Rev. J5.00 - J7.02</i>	
5.5	Circuit Breakers	5-9
	<i>LT30 Super</i> <i>Rev. J2.01 - J3.08</i>	
	<i>LT40 Super</i> <i>Rev. J3.01 - J4.09</i>	
5.6	Solenoid Assemblies	5-10
5.7	Front Panel Assembly & Harnesses	5-11
	<i>LT30 Super</i> <i>Rev. J3.00 - J3.08</i>	
	<i>LT40 Super</i> <i>Rev. J4.00 - J7.02</i>	
5.8	Front Panel Assembly & Harnesses	5-13
	<i>LT30 Super</i> <i>Rev. J2.01 - J2.03</i>	
	<i>LT40 Super</i> <i>Rev. J3.01 - J3.03</i>	
5.9	Battery Box Assembly	5-15
	<i>LT40 Super</i> <i>Rev. J7.00 - J7.02</i>	
5.10	Battery Box Assembly	5-17
	<i>LT30 Super</i> <i>Rev. J2.01 - J3.08</i>	
	<i>LT40 Super</i> <i>Rev. J3.01 - J6.00</i>	
SECTION 6	UP/DOWN SYSTEM	6-1
6.1	Saw Head Mount	6-1
6.2	Blade Height & Quarter Scales	6-2
	<i>LT30 Super</i> <i>Rev. J3.07 - J3.08</i>	
	<i>LT40 Super</i> <i>Rev. J4.08 - J7.02</i>	
6.3	Blade Height & Quarter Scales	6-4
	<i>LT30 Super</i> <i>Rev. J2.01 - J3.06</i>	
	<i>LT40 Super</i> <i>Rev. J2.01 - J4.07</i>	
6.4	Up/Down Chain & Sprockets	6-6
6.5	Up/Down Motor Assembly	6-8
6.6	Up/Down Drive Assembly	6-9

Table of Contents

Section-Page

SECTION 7	FEED SYSTEM & TRACK ROLLERS	7-1
7.1	Upper Track Rollers And Wipers.....	7-1
7.2	Power Feed Assembly	7-3
7.3	Feed Chain/Stop	7-5
	<i>LT40 Super Rev. J6.00 - J7.02</i>	
7.4	Feed Chain/Stop	7-6
	<i>LT30 Super Rev. J2.00 - J3.08</i>	
	<i>LT40 Super Rev. J3.01 - J5.03</i>	
7.5	Lower Track Rollers.....	7-7
SECTION 8	BED FRAME ASSEMBLY	8-1
8.1	Bed Rail Assembly, Front And Rear.....	8-1
	<i>LT30 Super Rev. J3.08</i>	
	<i>LT40 Super Rev. J4.09 - J7.02</i>	
8.2	Bed Rail Assembly, Front And Rear.....	8-3
	<i>LT30 Super Rev. J2.01 - J3.07</i>	
	<i>LT40 Super Rev. J3.01 - J4.08</i>	
8.3	Bed Rail Assembly, Middle Front.....	8-5
8.4	Bed Rail Assembly, Middle Rear.....	8-6
8.5	Leg Assembly (Stationary).....	8-8
8.6	Board Return Table Assembly	8-10
	<i>LT40 Super Rev. J5.01 - J7.02</i>	
8.7	Board Return Table Assembly	8-11
	<i>LT30 Super Rev. J2.01 - J3.08</i>	
	<i>LT40 Super Rev. J3.01 - J5.00</i>	
8.8	Pivot Bed Rail Assembly.....	8-13
8.9	Log Side Support Assembly.....	8-15
8.10	Safety Chain Assembly	8-17
8.11	Bed Frame Decals.....	8-18
8.12	Log Clamp	8-19
8.13	Log Loading Ramps	8-20
8.14	Board Outfeed Table (Optional).....	8-21
SECTION 9	MISCELLANEOUS	9-1
9.1	Replacement Manuals	9-1
SECTION 10	HYDRAULIC LOG LOADER (OPTIONAL)	10-1
10.1	Hydraulic Hoses	10-1
10.2	Hydraulic Loader Control Box.....	10-2
10.3	Hydraulic Power Supply Strip.....	10-4
10.4	Hydraulic Log Loader (Optional).....	10-6
10.5	Miscellaneous Loader Parts.....	10-8
	INDEX	I

SECTION 1 GENERAL INFORMATION

1.1 How To Use The Parts List

- Use the table of contents or index to locate the assembly that contains the part you need.
- Go to the appropriate section and locate the part in the illustration.
- Use the number pointing to the part to locate the correct part number and description in the table.
- Parts shown indented under another part are included with that part.
- Parts marked with a diamond (◆) are only available in the assembly listed above the part.

See the sample table below. Sample Part #A01111 includes part F02222-2 and subassembly A03333. Subassembly A03333 includes part S04444-4 and subassembly K05555. The diamond (◆) indicates that S04444-4 is not available except in subassembly A03333. Subassembly K05555 includes parts M06666 and F07777-77. The diamond (◆) indicates M06666 is not available except in subassembly K05555.

1.2 Sample Assembly				
REF	DESCRIPTION (◆ Indicates Parts Available In Assemblies Only)	PART #	QTY.	
	SAMPLE ASSEMBLY, COMPLETE (INCLUDES ALL INDENTED PARTS BELOW)	A01111	1	
1	Sample Part	F02222-22	1	
	Sample Subassembly (Includes All Indented Parts Below)	A03333	1	
2	Sample Part (◆ Indicates Part Is Only Available With A03333)	S04444-4	1	◆
	Sample Subassembly (Includes All Indented Parts Below)	K05555	1	
3	Sample Part (◆ Indicates Part Is Only Available With K05555)	M06666	2	◆
4	Sample Part	F07777-77	1	

To Order Parts:

- From the continental U.S., call **1-800-525-8100** to order parts. Have your customer number, vehicle identification number, and part numbers ready when you call.
- From other international locations, contact the Wood-Mizer distributor in your area for parts.

2 Blade Guide Rollers & Arm

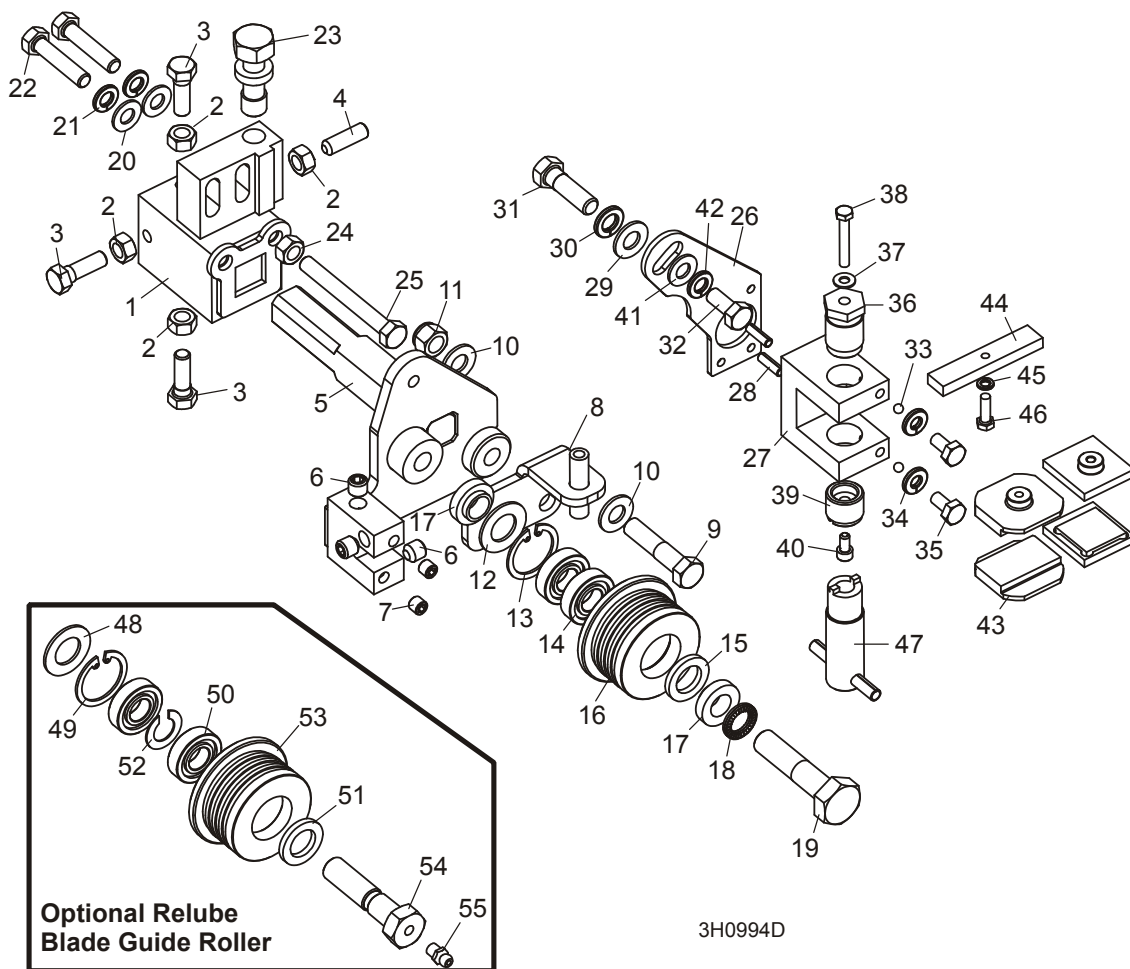
Blade Guide Assembly, Idle Side

SECTION 2 BLADE GUIDE ROLLERS & ARM

2.1 Blade Guide Assembly, Idle Side

LT40 Super

Rev. J5.03 - J7.02



REF	DESCRIPTION (◆ Indicates Parts Available In Assemblies Only)	PART #	QTY.	
	GUIDE ASSEMBLY, IDLE SIDE BLADE ROLLER	003992	1	
	Block Assembly, Idle Side Blade Guide Mount	003920	1	
1	Block Weldment, Blade Guide Mount	003921	1	◆
2	Nut, 5/16-18 Hex	F05010-17	4	
3	Bolt, 5/16-18 x 1" Hex Head Stainless Steel	F05006-88	3	
4	Screw, 5/16-18 x 1" Socket Head Flat Point Stainless Steel Set	F05006-122	1	
5	Shaft Weldment, Idle Side Guide	003924 ¹	1	
6	Fitting, 1/8" NPT Socket Pipe Plug	P30127	3	
7	Fitting, 1/16" NPT Socket Pipe Plug	007734 ¹	2	

Blade Guide Rollers & Arm

Blade Guide Assembly, Idle Side

2

8	Bracket Weldment, Idle Side Water Lube	006322	1	
9	Bolt, 3/8-16UNF-2A x 1 3/4" Grade 5	F05007-119	1	
10	Washer, 3/8" SAE Flat	F05011-3	2	
11	Nut, 3/8-16 Hex Nylon Lock	F05010-10	1	
	Roller Assembly, Blade Guide (standard for use with 1 1/4" & 1 1/2" blades)	A04925 ²	1	
	Roller Assembly, Extended Blade Guide (optional for use with 1 1/2" blades)	014299 ²	1	
	Bearing Kit, Blade Guide Rebuild	K07079	1	
12	Washer, 5/8" White Felt	P04252	1	
13	Ring, 1 1/8" Interior Retaining	F04254-1	1	
14	Bearing, R8-2RS Blade Guide	015975	2	◆
15	Washer, 5/8" Gray Felt	P06455	1	
	Screw, 1/4-28 x 1/4" Socket Head Cup Point Set Black Oxide	F05005-105	1	
	Instruction Sheet, Blade Guide Rebuild	057407-1507	1	
16	Roller, Flanged Blade Guide (1 1/4" & 1 1/2" blade)	S04250	1	◆
	Roller, Flanged Blade Guide (1 1/2" blade)	014298	1	◆
	Instruction Sheet, Blade Guide Roller Replacement	A04925-364	1	
17	Spacer, Blade Guide	S04253	2	
18	Washer, 1/2" Nord-Lock	F05011-125 ³	1	
19	Bolt, 1/2-13 x 2 1/4" Hex Head Grade 5	F05008-10	1	
20	Washer, 5/16" SAE Flat	F05011-17	2	
21	Washer, 5/16" Split Lock	F05011-13	2	
22	Bolt, 5/16-18 x 1 1/2" Hex Head	F05006-76	2	
23	Bolt, Blade Guide Vertical Adjustment	035656	1	
24	Nut, 5/16-18 Hex	F05010-17	1	
25	Bolt, 5/16-18 x 2 3/4" Hex Head Full Thread	F05006-136	1	
	GUIDE KIT, HIGH-PERFORMANCE BLADE GUIDE (OPTIONAL)	006325 ⁴	1	
	Block Assembly, Idle Side Blade Guide	003928	1	
26	Plate, Block Tilt Adjustment	003915	1	
27	Block, Guide Block Mount	003909	1	
28	Pin, 3/16" x 5/8" Roll	F05012-22	2	
29	Washer, 3/8" SAE Flat	F05011-3	1	
30	Washer, 3/8" Split Lock	F05011-4	1	
31	Bolt, 3/8-16 x 1 1/4" Hex Head Grade 5	F05007-123	1	
32	Bolt, 5/16-18 x 3/4" Hex Head w/Flat & Lock Washer	F05006-101	1	
33	Ball, 3/16" Dia. Nylon	003914	2	
34	Washer, 1/4" Split Lock	F05011-14	2	
35	Bolt, 1/4-20 x 1/2" Hex Head	F05005-15	2	
36	Bolt, Blade Guide Block Mount	003994	1	
37	Washer, #10 Brass	042867	1	
38	Bolt, #10-32 x 1 1/4" Hex Head Stainless Steel	F05004-240	1	
39	Screw, Lower Block Adjustment	044057	1	
40	Screw, #10-32 x 3/8" Socket Head Stainless Steel	F05004-200	1	
41	Washer, 5/16" SAE Flat	F05011-17	1	

2

Blade Guide Rollers & Arm

Blade Guide Assembly, Idle Side

42	Washer, 5/16" Split Lock	F05011-13	1	
43	Block, Blade Guide Wear (Standard for 1 1/4" Blades)	052355 ⁵	2	
	Block, Blade Guide Wear (Optional for 1 1/2" Blades)	052309 ⁵	2	
	Block Assembly, 1" Sq. EZ-Glide Wear	036347 ⁵	2	
44	Block, Blade Guide Alignment	035799	1	
45	Washer, #10 Split Lock	F05011-20	1	
46	Screw, #10-32 x 5/8" Hex Head	F05004-152	1	
47	Adjustment Tool, Lower Guide Block	044064	1	
	Shim, .008" Blade Guide Block Spacer	035248	1	
Drive Side Blade Guide Parts (See Section 2.1)				
	ROLLER ASSEMBLY, BLADE GUIDE RELUBE (OPTIONAL FOR USE WITH 1 1/4" OR 1 1/2" BLADES)	016568 ²	1	
	ROLLER ASSEMBLY, EXTENDED BLADE GUIDE RELUBE (OPTIONAL FOR USE WITH 1 1/2" BLADES)	057405 ²	1	
	Bearing Kit, Relube Blade Guide Rebuild	057407	1	
48	Washer, 5/8" White Felt	P04252	1	
49	Ring, 1 1/8" Interior Retaining	F04254-1	1	
50	Bearing, R8-2RS Blade Guide	015975 ⁶	2	◆
51	Washer, 5/8" Gray Felt	P06455	1	
52	Spacer, Blade Guide Bearing	035411	1	
	Instruction Sheet, Blade Guide Rebuild	057407-1507	1	
53	Roller, Flanged Blade Guide (Relube 1 1/4" & 1 1/2" blade)	035426	1	◆
	Roller, Flanged Blade Guide (Relube 1 1/2" blade)	057402	1	◆
	Instruction Sheet, Blade Guide Roller Replacement	A04925-364	1	
54	BOLT, BLADE GUIDE ROLLER (RELUBE ONLY)	036161	1	
55	FITTING, 1/4-28 GREASE (RELUBE ONLY)	P05060	1	

¹ Shaft Weldment 003924 modified to provide more clearance for adjustment bolts and to prevent water leaks (Rev. J7.02). New shaft requires two 1/16" NPT Pipe Plugs 007734.

² The sawmill is equipped standard with non-greasable blade guide rollers that can be used with the standard 1 1/4" blade or 1 1/2" blades. Optional extended blade guide rollers are available for use with 1 1/2" blades. The extended rollers may provide more stability during difficult sawing, but will reduce the total amount of times the blade can be reused after sharpening. Use kit 006382 to convert the rollers and guide blocks for both blade guides for 1 1/2" blades. Optional relube versions of each roller configuration are also available.

³ Nord-Lock Washer F05011-125 replaced Split Lock Washer F05011-9 to prevent loosening due to vibration (Rev. J7.02).

⁴ High-Performance Blade Guide Kit requires LMS blade lube system. Use kit 006325 to upgrade both drive and idle side blade guides to High-Performance. If sawmill not already equipped with LMS, add kit LMS-A.

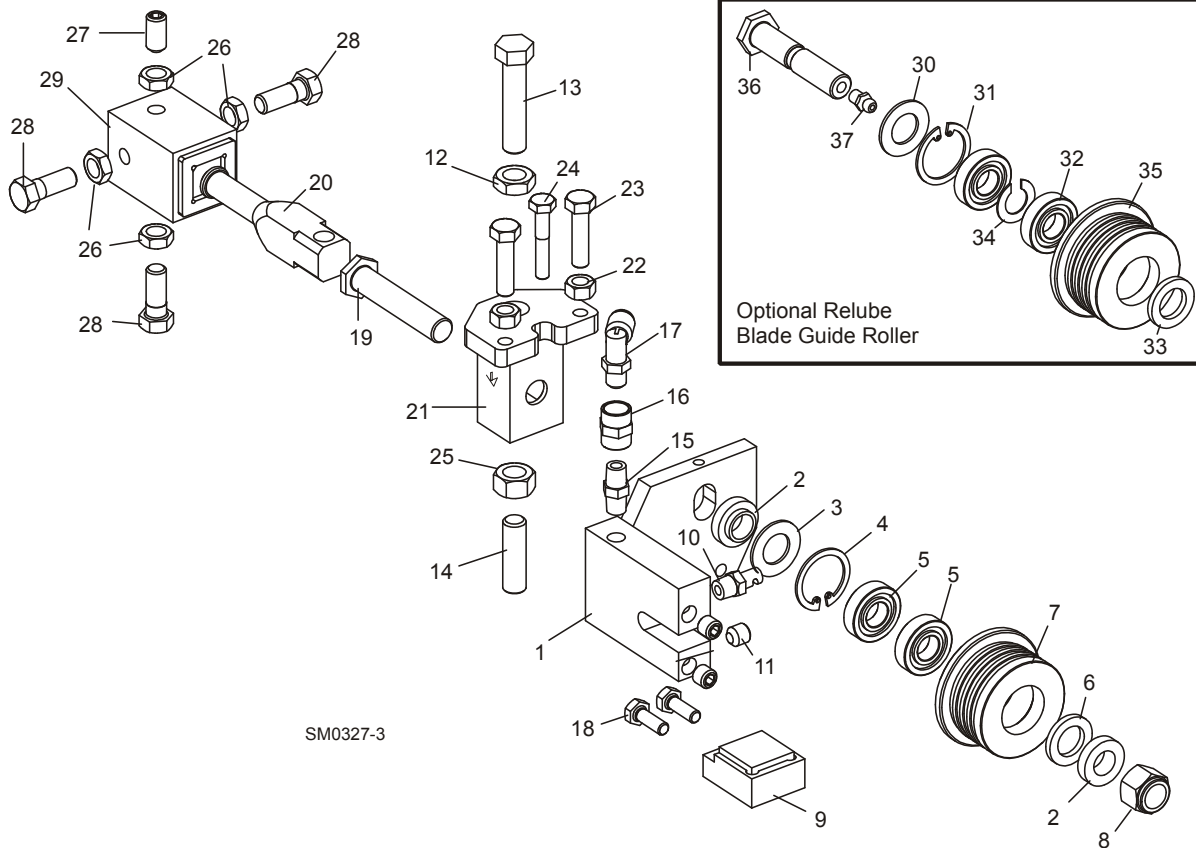
⁵ 052355 blocks for use with 1 1/4" blade provided as standard equipment. 052309 blocks available for optional use with 1 1/2" blades. Use kit 006382 to convert the rollers and guide blocks for both blade guides for 1 1/2" blades. EZ-Glide blocks 036347 are available for customers who prefer this block.

⁶ Bearing must be modified for use with relube roller assemblies. Remove one seal from each bearing, place open sides facing each other and place spacer 035411 between bearings.

2.2 Blade Guide Assembly, Idle Side

LT40 Super

Rev. J5.00 - J5.02



SM0327-3

REF	DESCRIPTION (◆ Indicates Parts Available In Assemblies Only)	PART #	QTY.
	ROLLER/BLOCK ASSEMBLY, IDLE SIDE (OUTER)	035405 ¹	1
1	Nozzle Block Weldment, Idle Side	035404	1
2	Spacer, .510 x .937 x .34	S04253	2
	Roller Assembly, Blade Guide (standard for use with 1 1/4" & 1 1/2" blades)	A04925 ²	1
	Roller Assembly, Extended Blade Guide (optional for use with 1 1/2" blades)	014299 ²	1
	Bearing Kit, Blade Guide Rebuild	K07079	1
3	Washer, 5/8" White Felt	P04252	1
4	Ring, 1 1/8" Interior Retaining	F04254-1	1
5	Bearing, R8-2RS Blade Guide	015975	2
6	Washer, 5/8" Gray Felt	P06455	1
	Screw, 1/4-28 x 1/4" Socket Head Cup Point Set Black Oxide	F05005-105	1
	Instruction Sheet, Blade Guide Rebuild	057407-1507	1
7	Roller, Flanged Blade Guide (1 1/4" & 1 1/2" blade)	S04250	1
	Roller, Flanged Blade Guide (1 1/2" blade)	014298	1

2

Blade Guide Rollers & Arm

Blade Guide Assembly, Idle Side

	Instruction Sheet, Blade Guide Roller Replacement	A04925-364	1	
8	Nut, 1/2-20 Nylon Hex Lock	F05010-15	1	
9	Block Assembly, 1 1/4" Blade EZ-Glide Wear	036247 ³	1	
	Block, 1 1/4" Blade Guide Wear	052367 ³	1	
	Block, 1 1/2" Blade Guide Wear	052366 ³	1	
10	Nozzle, Blade Water Lube Spray (For use with standard bottle water lube)	016637 ⁴	1	
11	Fitting, 1/8" NPT Socket Pipe Plug	P30127	3	
12	Nut, 7/16-20 Hex Jam	F05010-38 ⁵	1	
13	Bolt, 7/16-20 x 2" Hex Head Full Thread Grade 8	F05007-215	1	
14	Screw, 7/16-20 x 1 1/2" Socket Head Flat Point Stainless Set	F05007-217 ⁶	1	
15	Fitting, 1/8" Dry Seal Nipple	P02764	1	
16	Fitting, 1/8" FPT Coupling	P05748	1	
17	Fitting, 1/8" MPT x 1/4" Tube 90° Elbow Swivel	P09736	1	
18	Bolt, 1/4-20 x 3/4" Hex Head Grade 5	F05005-123	2	
19	Bolt, Blade Guide Roller	036374	1	
20	Shaft, Blade Guide Mount	054966	1	
21	Block, Roller Guide Adjuster	054969	1	
22	Nut, 5/16-24 Hex	F05010-28	2	
23	Bolt, 5/16-24 x 1 1/4" Hex Head Full Thread Grade 5	F05006-107	2	
24	Bolt, 1/4-28 x 1 1/2" Hex Head Grade 5	F05005-143	1	
25	Nut, 7/16-20 Hex	F05010-202 ⁵	1	
	SHIM, .008" BLADE GUIDE BLOCK SPACER	035248	1	
26	NUT, 3/8-24 HEX JAM	F05010-22	4	
27	SCREW, 3/8-24 X 3/4" STAINLESS STEEL SOCKET HEAD FLAT POINT	F05007-95	1	
28	BOLT, 3/8-24 X 1" STAINLESS STEEL HEX HEAD	F05007-99	3	
29	TUBE, BLADE GUIDE MOUNT (See Section 2.8)	W08159	1	
	ROLLER ASSEMBLY, BLADE GUIDE RELUBE (OPTIONAL FOR USE WITH 1 1/4" OR 1 1/2" BLADES)	016568	1	
	ROLLER ASSEMBLY, EXTENDED BLADE GUIDE RELUBE (OPTIONAL FOR USE WITH 1 1/2" BLADES)	057405 ²	1	
	Bearing Kit, Relube Blade Guide Rebuild	057407	1	
30	Washer, 5/8" White Felt	P04252	1	
31	Ring, 1 1/8" Interior Retaining	F04254-1	1	
32	Bearing, R8-2RS Blade Guide	015975 ⁷	2	◆
33	Washer, 5/8" Gray Felt	P06455	1	
34	Spacer, Blade Guide Bearing	035411	1	
	Instruction Sheet, Blade Guide Rebuild	057407-1507	1	
35	Roller, Flanged Blade Guide (Relube 1 1/4" & 1 1/2" blade)	035426	1	◆
	Roller, Flanged Blade Guide (Relube 1 1/2" blade)	057402	1	◆
	Instruction Sheet, Blade Guide Roller Replacement	A04925-364	1	
36	BOLT, BLADE GUIDE ROLLER (RELUBE ONLY)	035412	1	
37	FITTING, 1/4-28 GREASE (RELUBE ONLY)	P05060	1	

- ¹ New blade guide assembly available ([See Section 2.1](#)). Upgrade requires mounting arms, belt covers and LMS option. Use kit 006329 to retrofit (includes all parts necessary to retrofit both blade guide assemblies). If sawmill not already equipped with LMS option, add kit LMS-A.
- ² The sawmill is equipped standard with non-greasable blade guide rollers that can be used with the standard 1 1/4" blade or 1 1/2" blades. Optional extended blade guide rollers are available for use with 1 1/2" blades. The extended rollers may provide more stability during difficult sawing, but will reduce the total amount of times the blade can be reused after sharpening. Optional relube versions of each roller configuration are also available.
- ³ Wear Block 052367 available 10/07 and provided as standard 4/09. EZ-Glide Block 036247 available for customers who prefer this block. Wear Block 052366 available for optional use with 1 1/2" blades.
- ⁴ Use two Blade Lube Fittings 033479 if sawmill is equipped with LubeMizer blade lube system. These fittings are supplied with the LMS option.
- ⁵ Lower jam nut F05010-38 replaced with hex nut F05010-202 (3/07).
- ⁶ Stainless Set Screw replaces Zinc plated screw F05007-213 used prior to 6/07 to eliminate screw shearing.
- ⁷ Bearing must be modified for use with relube roller assemblies. Remove one seal from each bearing, place open sides facing each other and place spacer 035411 between bearings.

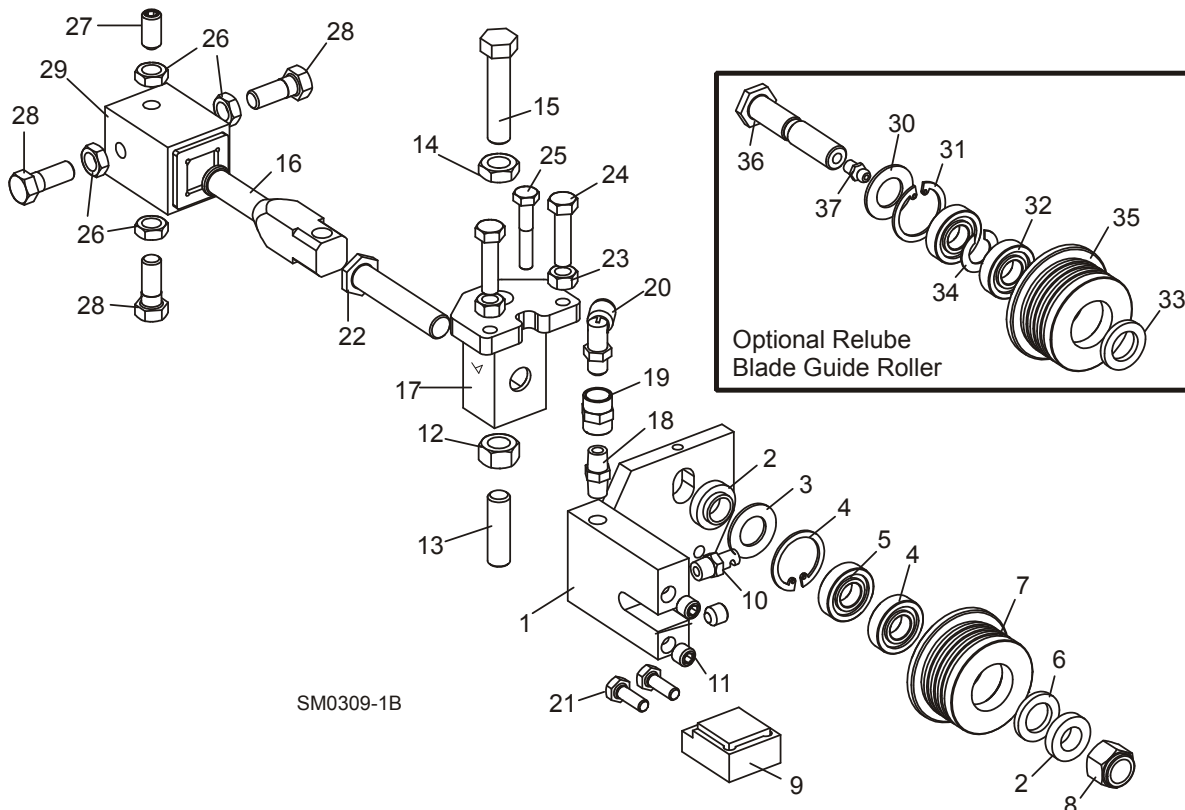
2 Blade Guide Rollers & Arm

Blade Guide Assembly, Idle Side

2.3 Blade Guide Assembly, Idle Side

LT30 Super
LT40 Super

Rev. J2.01 - J3.08
Rev. J3.01 - J4.09



SM0309-1B

REF	DESCRIPTION (◆ Indicates Parts Available In Assemblies Only)	PART #	QTY.
	ROLLER/BLOCK ASSEMBLY, IDLE SIDE (OUTER)	035405 ¹	1
1	Nozzle Block Weldment, Idle Side	035404	1
2	Spacer, .510 x .937 x .34	S04253	2
	Roller Assembly, Blade Guide (standard for use with 1 1/4" & 1 1/2" blades)	A04925 ²	1
	Roller Assembly, Extended Blade Guide (optional for use with 1 1/2" blades)	014299 ²	1
	Bearing Kit, Blade Guide Rebuild	K07079	1
3	Washer, 5/8" White Felt	P04252	1
4	Ring, 1 1/8" Interior Retaining	F04254-1	1
5	Bearing, R8-2RS Blade Guide	015975	2
6	Washer, 5/8" Gray Felt	P06455	1
	Screw, 1/4-28 x 1/4" Socket Head Cup Point Set Black Oxide	F05005-105	1
	Instruction Sheet, Blade Guide Rebuild	057407-1507	1
7	Roller, Flanged Blade Guide (1 1/4" & 1 1/2" blade)	S04250	1
	Roller, Flanged Blade Guide (1 1/2" blade)	014298	1

Blade Guide Rollers & Arm

Blade Guide Assembly, Idle Side

2

	Instruction Sheet, Blade Guide Roller Replacement	A04925-364	1	
8	Nut, 1/2-20 Nylon Hex Lock	F05010-15	1	
9	Block Assembly, 1 1/4" Blade EZ-Glide Wear	036247 ³	1	
	Block, 1 1/4" Blade Guide Wear	052367 ³	1	
	Block, 1 1/2" Blade Guide Wear	052366 ³	1	
10	Nozzle, Blade Water Lube Spray (For use with standard bottle water lube)	016637 ⁴	1	
11	Fitting, 1/8" NPT Socket Pipe Plug	P30127	3	
	Shaft Kit, Blade Guide Adjust Retrofit	038971 ⁵	1	
12	Nut, 7/16-20 Hex	F05010-202 ⁶	1	
13	Screw, 7/16-20 x 1 1/2" Socket Head Cup Point Stainless Steel	F05007-217 ⁷	1	
14	Nut, 7-16-20 Hex Jam	F05010-38	1	
15	Bolt, 7/16-20 x 2" Hex Head Full Thread Grade 8	F05007-215	1	
16	Shaft, Blade Guide Mount	054966	1	
17	Block Weldment, Roller Guide Adjuster	054969	1	
18	Fitting, 1/8" Dry Seal Nipple	P02764	1	
19	Fitting, 1/8" FPT Coupling	P05748	1	
20	Fitting, 1/8" MPT x 1/4" Tube 90° Elbow Swivel	P09736	1	
21	Bolt, 1/4-20 x 3/4" Hex Head Grade 5	F05005-123	2	
22	Bolt, Blade Guide Roller	036374	1	
23	Nut, 5/16-24 Hex	F05010-28	2	
24	Bolt, 5/16-24 x 1 1/4" Hex Head Full Thread Grade 5	F05006-107	2	
25	Bolt, 1/4-28 x 1 1/2" Hex Head Grade 5	F05005-143	1	
	SHIM, .008" BLADE GUIDE BLOCK SPACER	035248	1	
26	NUT, 3/8-24 HEX JAM	F05010-22	4	
27	SCREW, 3/8-24 X 3/4" STAINLESS STEEL SOCKET HEAD FLAT POINT	F05007-95	1	
28	BOLT, 3/8-24 X 1" STAINLESS STEEL HEX HEAD	F05007-99	3	
29	TUBE, BLADE GUIDE MOUNT (See Section 2.9)	W08159	1	
	ROLLER ASSEMBLY, BLADE GUIDE RELUBE (OPTIONAL FOR USE WITH 1 1/4" OR 1 1/2" BLADES)	016568 ²	1	
	ROLLER ASSEMBLY, EXTENDED BLADE GUIDE RELUBE (OPTIONAL FOR USE WITH 1 1/2" BLADES)	057405 ²	1	
	Bearing Kit, Relube Blade Guide Rebuild	057407	1	
30	Washer, 5/8" White Felt	P04252	1	
31	Ring, 1 1/8" Interior Retaining	F04254-1	1	
32	Bearing, R8-2RS Blade Guide	015975 ⁸	2	◆
33	Washer, 5/8" Gray Felt	P06455	1	
34	Spacer, Blade Guide Bearing	035411	1	
	Instruction Sheet, Blade Guide Rebuild	057407-1507	1	
35	Roller, Flanged Blade Guide (Relube 1 1/4" & 1 1/2" blade)	035426	1	◆
	Roller, Flanged Blade Guide (Relube 1 1/2" blade)	057402	1	◆
	Instruction Sheet, Blade Guide Roller Replacement	A04925-364	1	
36	BOLT, BLADE GUIDE ROLLER (RELUBE ONLY)	035412	1	

2

Blade Guide Rollers & Arm

Blade Guide Assembly, Idle Side

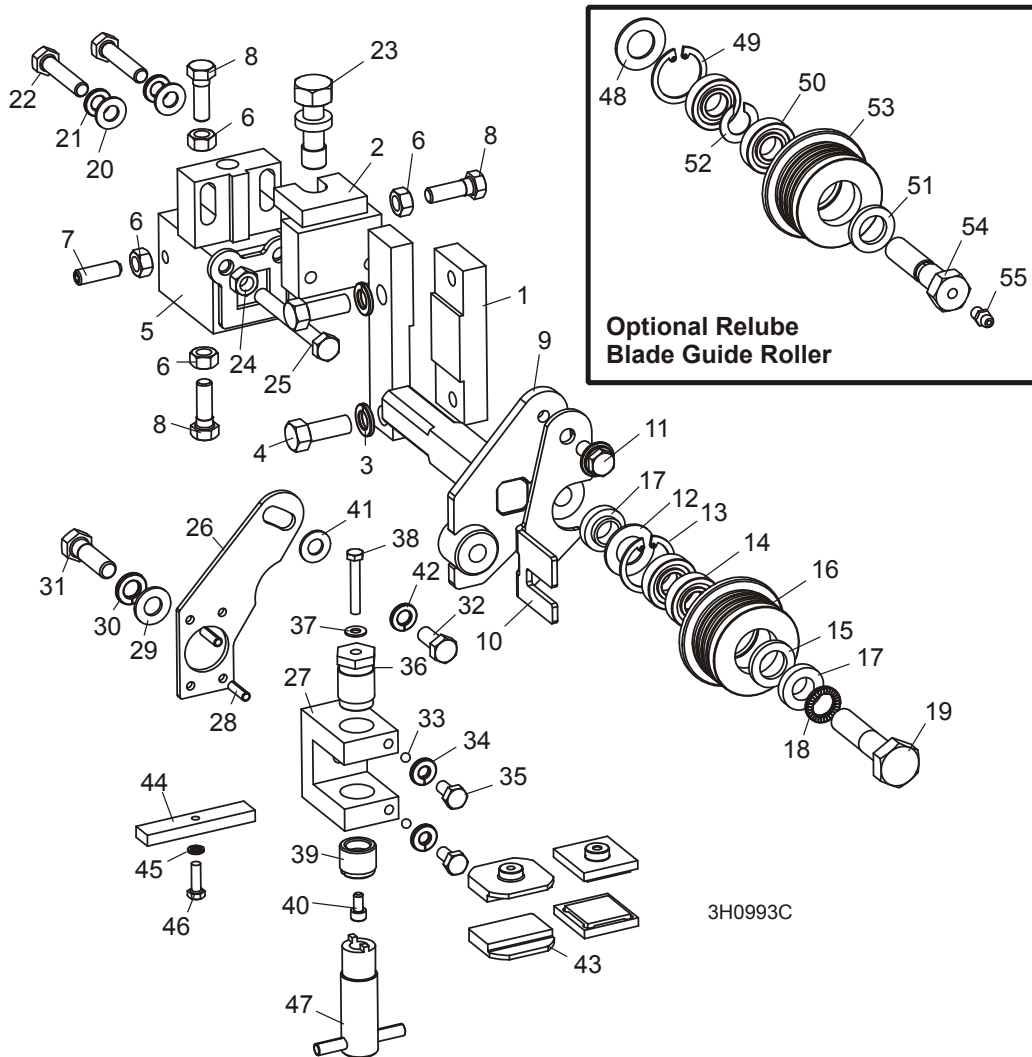
37	FITTING, 1/4-28 GREASE (RELUBE ONLY)	P05060	1	
----	--------------------------------------	--------	---	--

- ¹ Blade Guide Assembly 035405 upgraded with new Block Weldment and Shaft to accommodate 7/16" adjustment hardware to improve durability (12/06). Use kit 038971 to retrofit previous revisions. New blade guide assembly available ([See Section 2.1](#)). Upgrade requires mounting arms, belt covers and LMS option. Use kit 006329 to retrofit (includes all parts necessary to retrofit both blade guide assemblies). If sawmill not already equipped with LMS option, add kit LMS-A.
- ² The sawmill is equipped standard with non-greasable blade guide rollers that can be used with the standard 1 1/4" blade or 1 1/2" blades. Optional extended blade guide rollers are available for use with 1 1/2" blades. The extended rollers may provide more stability during difficult sawing, but will reduce the total amount of times the blade can be reused after sharpening. Optional relube versions of each roller configuration are also available.
- ³ Wear Block 052367 available 10/07 and provided as standard 4/09. EZ-Glide Block 036247 available for customers who prefer this block. Wear Block 052366 available for optional use with 1 1/2" blades.
- ⁴ Use two Blade Lube Fittings 033479 if sawmill is equipped with LubeMizer blade lube system. These fittings are supplied with the LMS option.
- ⁵ Mount Shaft 035427, Adjuster Block 035408, 3/8" Set Screws F05007-162 & 3/8" Jam Nuts F05010-22 replaced with 7/16" adjustment hardware. Mount Shaft 035427 & Adjuster Block 035408 no longer available. Use kit 038971 to retrofit original parts.
- ⁶ Lower jam nut F05010-38 replaced with hex nut F05010-202 (3/07).
- ⁷ Stainless Set Screw replaces Zinc plated screw F05007-213 used prior to 6/07 to eliminate screw shearing.
- ⁸ Bearing must be modified for use with relube roller assemblies. Remove one seal from each bearing, place open sides facing each other and place spacer 035411 between bearings.

2.4 Blade Guide Assembly, Drive Side

LT40 Super

Rev. J5.03 - J7.02



3H0993C

REF	DESCRIPTION (◆ Indicates Parts Available In Assemblies Only)	PART #	QTY.	
1	BLOCK, BOLT ON BLADE GUIDE MOUNT	016548	1	
2	BRACKET WELDMENT, INNER BLADE GUIDE MOUNT	003964	1	
3	WASHER, 3/8" SPLIT LOCK	F05011-4	2	
4	BOLT, 3/8-16 X 1" HEX HEAD	F05007-7	2	
	GUIDE ASSEMBLY, DRIVE SIDE BLADE ROLLER	003905	1	
	Block Assembly, Blade Guide Mount	003910	1	
5	Block Weldment, Blade Guide Mount	003911	1	◆
6	Nut, 5/16-18 Hex	F05010-17	4	
7	Screw, 5/16-18 x 1" Socket Head Flat Point Stainless Steel Set	F05006-122	1	

2

Blade Guide Rollers & Arm

Blade Guide Assembly, Drive Side

8	Bolt, 5/16-18 x 1" Hex Head Stainless Steel	F05006-88	3	
9	Shaft Weldment, Drive Side Guide	003913	1	
10	Plate, Blade Guide Deflector	003916	1	
11	Bolt, 5/16-18 x 3/4" Hex Head w/Flat & Lock Washer	F05006-101	1	
	Roller Assembly, Blade Guide (standard for use with 1 1/4" & 1 1/2" blades)	A04925 ¹	1	
	Roller Assembly, Extended Blade Guide (optional for use with 1 1/2" blades)	014299 ¹	1	
	Bearing Kit, Blade Guide Rebuild	K07079	1	
12	Washer, 5/8" White Felt	P04252	1	
13	Ring, 1 1/8" Interior Retaining	F04254-1	1	
14	Bearing, R8-2RS Blade Guide	015975	2	◆
15	Washer, 5/8" Gray Felt	P06455	1	
	Screw, 1/4-28 x 1/4" Socket Head Cup Point Set Black Oxide	F05005-105	1	
	Instruction Sheet, Blade Guide Rebuild	057407-1507	1	
16	Roller, Flanged Blade Guide (1 1/4" & 1 1/2" blade)	S04250	1	◆
	Roller, Flanged Blade Guide (1 1/2" blade)	014298	1	◆
	Instruction Sheet, Blade Guide Roller Replacement	A04925-364	1	
17	Spacer, Blade Guide	S04253	2	
18	Washer, 1/2" Nord-Lock	F05011-125 ²	1	
19	Bolt, 1/2-13 x 2 1/4" Hex Head Grade 5	F05008-10	1	
20	Washer, 5/16" SAE Flat	F05011-17	2	
21	Washer, 5/16" Split Lock	F05011-13	2	
22	Bolt, 5/16-18 x 1 1/2" Hex Head	F05006-76	2	
23	Bolt, Blade Guide Vertical Adjustment	035656	1	
24	Nut, 5/16-18 Hex	F05010-17	1	
25	Bolt, 5/16-18 x 2 3/4" Hex Head Full Thread	F05006-136	1	
	GUIDE KIT, HIGH-PERFORMANCE BLADE GUIDE (OPTIONAL)	006325 ³	1	
	Block Assembly, Drive Side Blade Guide	003927	1	
26	Plate, Block Tilt Adjustment	003915	1	
27	Block, Guide Block Mount	003909	1	
28	Pin, 3/16" x 5/8" Roll	F05012-22	2	
29	Washer, 3/8" SAE Flat	F05011-3	1	
30	Washer, 3/8" Split Lock	F05011-4	1	
31	Bolt, 3/8-16 x 1 1/4" Hex Head Grade 5	F05007-123	1	
32	Bolt, 5/16-18 x 3/4" Hex Head w/Flat & Lock Washer	F05006-101	1	
33	Ball, 3/16" Dia. Nylon	003914	2	
34	Washer, 1/4" Split Lock	F05011-14	2	
35	Bolt, 1/4-20 x 1/2" Hex Head	F05005-15	2	
36	Bolt, Blade Guide Block Mount	003994	1	
37	Washer, #10 Brass	042867	1	
38	Bolt, #10-32 x 1 1/4" Hex Head Stainless Steel	F05004-240	1	
39	Screw, Lower Block Adjustment	044057	1	
40	Screw, #10-32 x 3/8" Socket Head Stainless Steel	F05004-200	1	
41	Washer, 5/16" SAE Flat	F05011-17	1	

42	Washer, 5/16" Split Lock	F05011-13	1	
43	Block, Blade Guide Wear (Standard for 1 1/4" Blades)	052355 ⁴	2	
	Block, Blade Guide Wear (Optional for 1 1/2" Blades)	052309 ⁴	2	
	Block Assembly, 1" Sq. EZ-Glide Wear	036347 ⁴	2	
44	Block, Blade Guide Alignment	035799	1	
45	Washer, #10 Split Lock	F05011-20	1	
46	Screw, #10-32 x 5/8" Hex Head	F05004-152	1	
47	Adjustment Tool, Lower Guide Block	044064	1	
	Shim, .008" Blade Guide Block Spacer	035248	1	
Idle Side Blade Guide Parts (See Section 2.1)				
	ROLLER ASSEMBLY, BLADE GUIDE RELUBE (OPTIONAL FOR USE WITH 1 1/4" OR 1 1/2" BLADES)	016568 ¹	1	
	ROLLER ASSEMBLY, EXTENDED BLADE GUIDE RELUBE (OPTIONAL FOR USE WITH 1 1/2" BLADES)	057405 ¹	1	
	Bearing Kit, Relube Blade Guide Rebuild	057407	1	
48	Washer, 5/8" White Felt	P04252	1	
49	Ring, 1 1/8" Interior Retaining	F04254-1	1	
50	Bearing, R8-2RS Blade Guide	015975 ⁵	2	◆
51	Washer, 5/8" Gray Felt	P06455	1	
52	Spacer, Blade Guide Bearing	035411	1	
	Instruction Sheet, Blade Guide Rebuild	057407-1507	1	
53	Roller, Flanged Blade Guide (Relube 1 1/4" & 1 1/2" blade)	035426	1	◆
	Roller, Flanged Blade Guide (Relube 1 1/2" blade)	057402	1	◆
	Instruction Sheet, Blade Guide Roller Replacement	A04925-364	1	
54	BOLT, BLADE GUIDE ROLLER (RELUBE ONLY)	036161	1	
55	FITTING, 1/4-28 GREASE (RELUBE ONLY)	P05060	1	

¹ The sawmill is equipped standard with non-greasable blade guide rollers that can be used with the standard 1 1/4" blade or 1 1/2" blades. Optional extended blade guide rollers are available for use with 1 1/2" blades. The extended rollers may provide more stability during difficult sawing, but will reduce the total amount of times the blade can be reused after sharpening. Use kit 006382 to convert the rollers and guide blocks for both blade guides for 1 1/2" blades. Optional relube versions of each roller configuration are also available.

² Nord-Lock Washer F05011-125 replaced Split Lock Washer F05011-9 to prevent loosening due to vibration (Rev. J7.02).

³ High-Performance Blade Guide Kit requires LMS blade lube system. Use kit 006325 to upgrade both drive and idle side blade guides to High-Performance. If sawmill not already equipped with LMS, add kit LMS-A.

⁴ 052355 blocks for use with 1 1/4" blade provided as standard equipment. 052309 blocks available for optional use with 1 1/2" blades. Use kit 006382 to convert the rollers and guide blocks for both blade guides for 1 1/2" blades. EZ-Glide blocks 036347 are available for customers who prefer this block.

⁵ Bearing must be modified for use with relube roller assemblies. Remove one seal from each bearing, place open sides facing each other and place spacer 035411 between bearings.

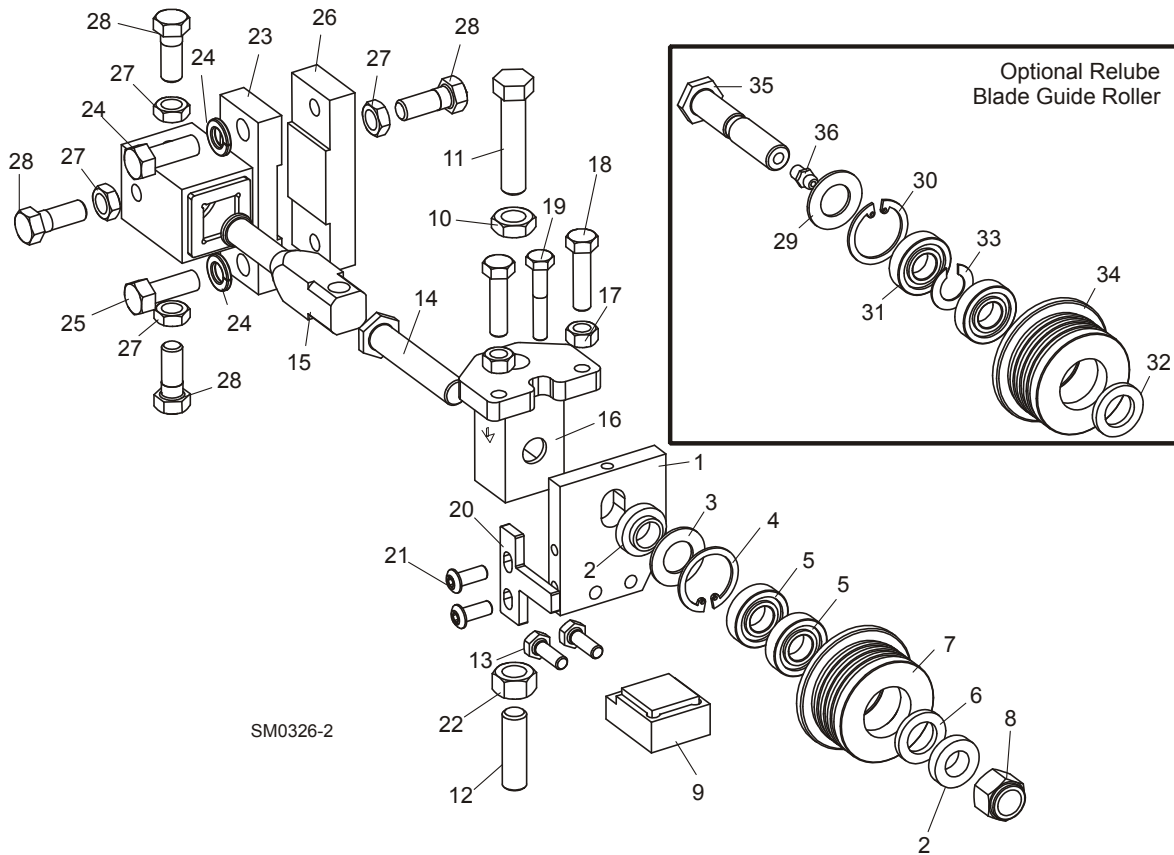
2 Blade Guide Rollers & Arm

Blade Guide Assembly, Drive Side

2.5 Blade Guide Assembly, Drive Side

LT40 Super

Rev. J5.00 - J5.02



REF	DESCRIPTION (◆ Indicates Parts Available In Assemblies Only)	PART #	QTY.
	ROLLER/BLOCK ASSEMBLY, DRIVE SIDE (INNER)	035410 ¹	1
1	Plate, Blade Guide Back Mounting	035409	1
2	Spacer, .510 x .937 x .34	S04253	2
	Roller Assembly, Blade Guide (standard for use with 1 1/4" & 1 1/2" blades)	A04925 ²	1
	Roller Assembly, Extended Blade Guide (optional for use with 1 1/2" blades)	014299 ²	1
	Bearing Kit, Blade Guide Rebuild	K07079	1
3	Washer, 5/8" White Felt	P04252	1
4	Ring, 1 1/8" Interior Retaining	F04254-1	1
5	Bearing, R8-2RS Blade Guide	015975	2
6	Washer, 5/8" Gray Felt	P06455	1
	Screw, 1/4-28 x 1/4" Socket Head Cup Point Set Black Oxide	F05005-105	1
	Instruction Sheet, Blade Guide Rebuild	057407-1507	1

Blade Guide Rollers & Arm

Blade Guide Assembly, Drive Side

2

7	Roller, Flanged Blade Guide (1 1/4" & 1 1/2" blade)	S04250	1	◆
	Roller, Flanged Blade Guide (1 1/2" blade)	014298	1	◆
	Instruction Sheet, Blade Guide Roller Replacement	A04925-364	1	
8	Nut, 1/2-20 Nylon Hex Lock	F05010-15	1	
9	Block Assembly, 1 1/4" Blade EZ-Glide Wear	036247 ³	1	
	Block, 1 1/4" Blade Guide Wear	052367 ³	1	
	Block, 1 1/2" Blade Guide Wear	052366 ³	1	
10	Nut, 7/16-20 Hex Jam	F05010-38 ⁴	1	
11	Bolt, 7/16-20 x 2" Hex Head Full Thread Grade 8	F05007-215	1	
12	Screw, 7/16-20 x 1 1/2" Socket Head Flat Point Stainless Set	F05007-217 ⁵	1	
13	Bolt, 1/4-20 x 3/4" Hex Head Grade 5	F05005-123	2	
14	Bolt, Blade Guide Roller	036374	1	
15	Shaft, Blade Guide Mount	054966	1	
16	Block Weldment, Roller Guide Adjuster	054969	1	
17	Nut, 5/16-24 Hex	F05010-28	2	
18	Bolt, 5/16-24 x 1 1/4" Hex Head Full Thread Stainless	F05006-107	2	
19	Bolt, 1/4-28 x 1 1/2" Hex Head Stainless	F05005-143	1	
20	Guard, Drive Roller	035490	1	
21	Screw, 1/4-20 x 55/8" Button Head Socket Cap Grade 2	F05005-128	2	
22	Nut, 7/16-20 Hex	F05010-202 ⁴	1	
	SHIM, .008" BLADE GUIDE BLOCK SPACER	035248	1	
	BLOCK KIT, DRIVE SIDE BLADE GUIDE BOLT ON	016566	1	
23	Block Weldment, Drive Side Blade Guide Bolt On	016550	1	
24	Washer, 3/8" Split Lock	F05011-4	2	
25	Bolt, 3/8-16 x 1" Hex Head	F05007-7	2	
26	Block, Bolt On Blade Guide Mount	016548	1	
27	Nut, 3/8-24 Jam	F05010-22	4	
28	Bolt, 3/8-24 X 1" Stainless Steel Hex Head	F05007-99	4	
	ROLLER ASSEMBLY, BLADE GUIDE RELUBE (OPTIONAL FOR USE WITH 1 1/4" OR 1 1/2" BLADES)	016568 ²	1	
	ROLLER ASSEMBLY, EXTENDED BLADE GUIDE RELUBE (OPTIONAL FOR USE WITH 1 1/2" BLADES)	057405 ²	1	
	Bearing Kit, Relube Blade Guide Rebuild	057407	1	
29	Washer, 5/8" White Felt	P04252	1	
30	Ring, 1 1/8" Interior Retaining	F04254-1	1	
31	Bearing, R8-2RS Blade Guide	015975 ⁶	2	◆
32	Washer, 5/8" Gray Felt	P06455	1	
33	Spacer, Blade Guide Bearing	035411	1	
	Instruction Sheet, Blade Guide Rebuild	057407-1507	1	
34	Roller, Flanged Blade Guide (Relube 1 1/4" & 1 1/2" blade)	035426	1	◆
	Roller, Flanged Blade Guide (Relube 1 1/2" blade)	057402	1	◆
	Instruction Sheet, Blade Guide Roller Replacement	A04925-364	1	
35	BOLT, BLADE GUIDE ROLLER (RELUBE ONLY)	035412	1	

2

Blade Guide Rollers & Arm

Blade Guide Assembly, Drive Side

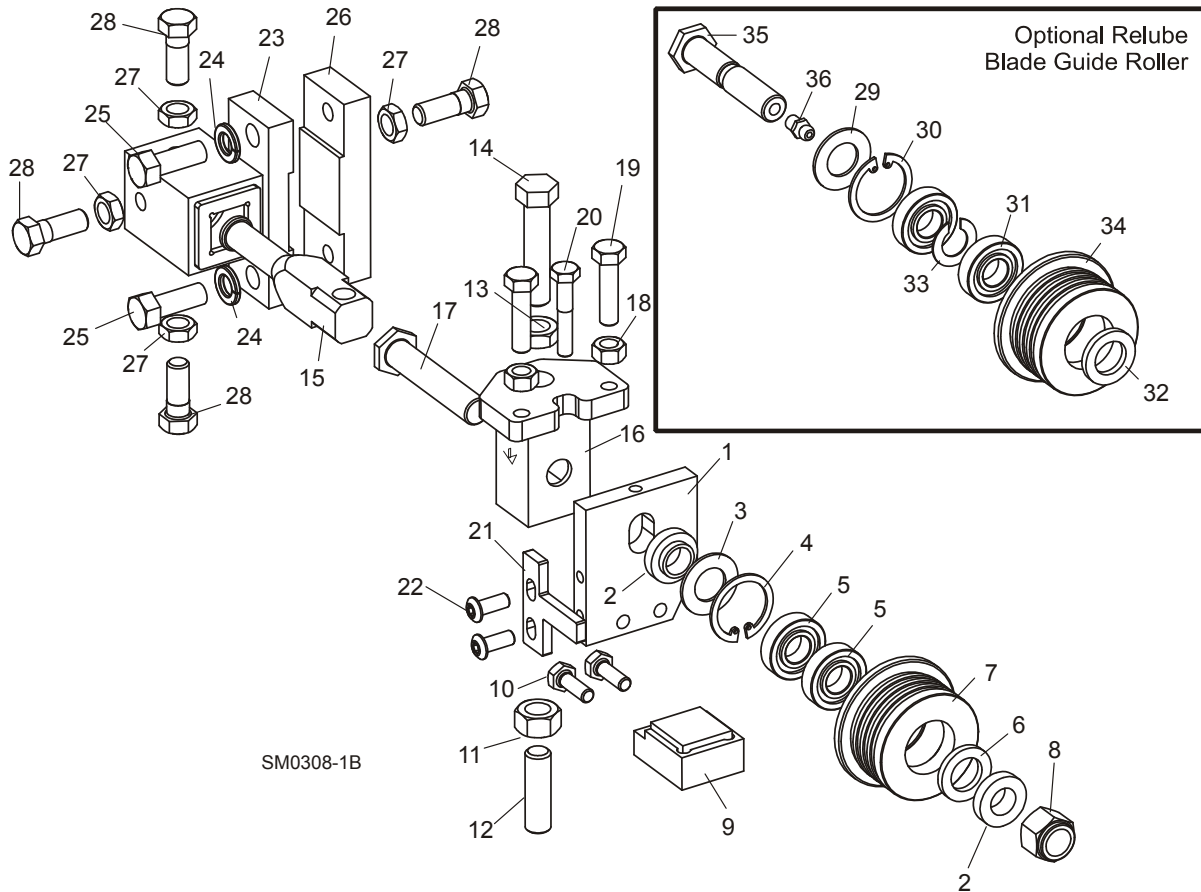
36	FITTING, 1/4-28 GREASE (RELUBE ONLY)	P05060	1	
----	--------------------------------------	--------	---	--

- ¹ New blade guide assembly available ([See Section 2.4](#)). Upgrade requires mounting arms, belt covers and LMS option. Use kit 006329 to retrofit (includes all parts necessary to retrofit both blade guide assemblies). If sawmill not already equipped with LMS option, add kit LMS-A.
- ² The sawmill is equipped standard with non-greasable blade guide rollers that can be used with the standard 1 1/4" blade or 1 1/2" blades. Optional extended blade guide rollers are available for use with 1 1/2" blades. The extended rollers may provide more stability during difficult sawing, but will reduce the total amount of times the blade can be reused after sharpening. Optional relube versions of each roller configuration are also available.
- ³ Wear Block 052367 available 10/07 and provided as standard 4/09. EZ-Glide Block 036247 available for customers who prefer this block. Wear Block 052366 available for optional use with 1 1/2" blades.
- ⁴ Lower jam nut F05010-38 replaced with hex nut F05010-202 (3/07).
- ⁵ Stainless Set Screw replaces Zinc plated screw F05007-213 used prior to 6/07 to eliminate screw shearing.
- ⁶ Bearing must be modified for use with relube roller assemblies. Remove one seal from each bearing, place open sides facing each other and place spacer 035411 between bearings.

2.6 Blade Guide Assembly, Drive Side

LT30 Super
LT40 Super

Rev. J2.01 - J3.08
Rev. J3.01 - J4.09



SM0308-1B

REF	DESCRIPTION (◆ Indicates Parts Available In Assemblies Only)	PART #	QTY.
	ROLLER/BLOCK ASSEMBLY, DRIVE SIDE (INNER)	035410 ¹	1
1	Plate, Blade Guide Back Mounting	035409	1
2	Spacer, .510 x .937 x .34	S04253	2
	Roller Assembly, Blade Guide (standard for use with 1 1/4" & 1 1/2" blades)	A04925 ²	1
	Roller Assembly, Extended Blade Guide (optional for use with 1 1/2" blades)	014299 ²	1
	Bearing Kit, Blade Guide Rebuild	K07079	1
3	Washer, 5/8" White Felt	P04252	1
4	Ring, 1 1/8" Interior Retaining	F04254-1	1
5	Bearing, R8-2RS Blade Guide	015975	2
6	Washer, 5/8" Gray Felt	P06455	1
	Screw, 1/4-28 x 1/4" Socket Head Cup Point Set Black Oxide	F05005-105	1
	Instruction Sheet, Blade Guide Rebuild	057407-1507	1

2

Blade Guide Rollers & Arm

Blade Guide Assembly, Drive Side

7	Roller, Flanged Blade Guide (1 1/4" & 1 1/2" blade)	S04250	1	◆
	Roller, Flanged Blade Guide (1 1/2" blade)	014298	1	◆
	Instruction Sheet, Blade Guide Roller Replacement	A04925-364	1	
8	Nut, 1/2-20 Nylon Hex Lock	F05010-15	1	
9	Block Assembly, 1 1/4" Blade EZ-Glide Wear	036247 ³	1	
	Block, 1 1/4" Blade Guide Wear	052367 ³	1	
	Block, 1 1/2" Blade Guide Wear	052366 ³	1	
10	Bolt, 1/4-20 x 3/4" Hex Head Grade 5	F05005-123	2	
	Shaft Kit, Blade Guide Adjust Retrofit	038971 ⁴	1	
11	Nut, 7/16-20 Hex	F05010-202 ⁵	1	
12	Screw, 7/16-20 x 1 1/2" Socket Head Cup Point Stainless Steel	F05007-217 ⁶	1	
13	Nut, 7-16-20 Hex Jam	F05010-38	1	
14	Bolt, 7/16-20 x 2" Hex Head Full Thread Grade 8	F05007-215	1	
15	Shaft, Blade Guide Mount	054966	1	
16	Block Weldment, Roller Guide Adjuster	054969	1	
17	Bolt, Blade Guide Roller	036374	1	
18	Nut, 5/16-24 Hex	F05010-28	2	
19	Bolt, 5/16-24 x 1 1/4" Hex Head Full Thread Stainless	F05006-107	2	
20	Bolt, 1/4-28 x 1 1/2" Hex Head Stainless	F05005-143	1	
21	Guard, Drive Roller	035490	1	
22	Screw, 1/4-20 x 5/8" Button Head Socket Cap Grade 2	F05005-128	2	
	SHIM, .008" BLADE GUIDE BLOCK SPACER	035248	1	
	BLOCK KIT, DRIVE SIDE BLADE GUIDE BOLT ON	016566	1	
23	Block Weldment, Drive Side Blade Guide Bolt On	016550	1	
24	Washer, 3/8" Split Lock	F05011-4	2	
25	Bolt, 3/8-16 x 1" Hex Head	F05007-7	2	
26	Block, Bolt On Blade Guide Mount	016548	1	
27	Nut, 3/8-24 Jam	F05010-22	4	
28	Bolt, 3/8-24 X 1" Stainless Steel Hex Head	F05007-99	4	
	ROLLER ASSEMBLY, BLADE GUIDE RELUBE (OPTIONAL FOR USE WITH 1 1/4" OR 1 1/2" BLADES)	016568 ²	1	
	ROLLER ASSEMBLY, EXTENDED BLADE GUIDE RELUBE (OPTIONAL FOR USE WITH 1 1/2" BLADES)	057405 ²	1	
	Bearing Kit, Relube Blade Guide Rebuild	057407	1	
29	Washer, 5/8" White Felt	P04252	1	
30	Ring, 1 1/8" Interior Retaining	F04254-1	1	
31	Bearing, R8-2RS Blade Guide	015975 ⁷	2	◆
32	Washer, 5/8" Gray Felt	P06455	1	
33	Spacer, Blade Guide Bearing	035411	1	
	Instruction Sheet, Blade Guide Rebuild	057407-1507	1	
34	Roller, Flanged Blade Guide (Relube 1 1/4" & 1 1/2" blade)	035426	1	◆
	Roller, Flanged Blade Guide (Relube 1 1/2" blade)	057402	1	◆
	Instruction Sheet, Blade Guide Roller Replacement	A04925-364	1	

35	BOLT, BLADE GUIDE ROLLER (RELUBE ONLY)	035412	1	
36	FITTING, 1/4-28 GREASE (RELUBE ONLY)	P05060	1	

¹ Blade Guide Assembly 035410 upgraded with new Block Weldment and Shaft to accommodate 7/16" adjustment hardware to improve durability (12/06). New blade guide assembly available ([See Section 2.4](#)). Upgrade requires mounting arms, belt covers and LMS option. Use kit 006329 to retrofit (includes all parts necessary to retrofit both blade guide assemblies). If sawmill not already equipped with LMS option, add kit LMS-A.

² The sawmill is equipped standard with non-greasable blade guide rollers that can be used with the standard 1 1/4" blade or 1 1/2" blades. Optional extended blade guide rollers are available for use with 1 1/2" blades. The extended rollers may provide more stability during difficult sawing, but will reduce the total amount of times the blade can be reused after sharpening. Optional relube versions of each roller configuration are also available.

³ Wear Block 052367 available 10/07 and provided as standard 4/09. EZ-Glide Block 036247 available for customers who prefer this block. Wear Block 052366 available for optional use with 1 1/2" blades.

⁴ Mount Shaft 035427, Adjuster Block 035408, 3/8" Set Screws F05007-162 & 3/8" Jam Nuts F05010-22 replaced with 7/16" adjustment hardware. Mount Shaft 035427 & Adjuster Block 035408 no longer available. Use kit 038971 to retrofit original parts.

⁵ Lower jam nut F05010-38 replaced with hex nut F05010-202 (3/07).

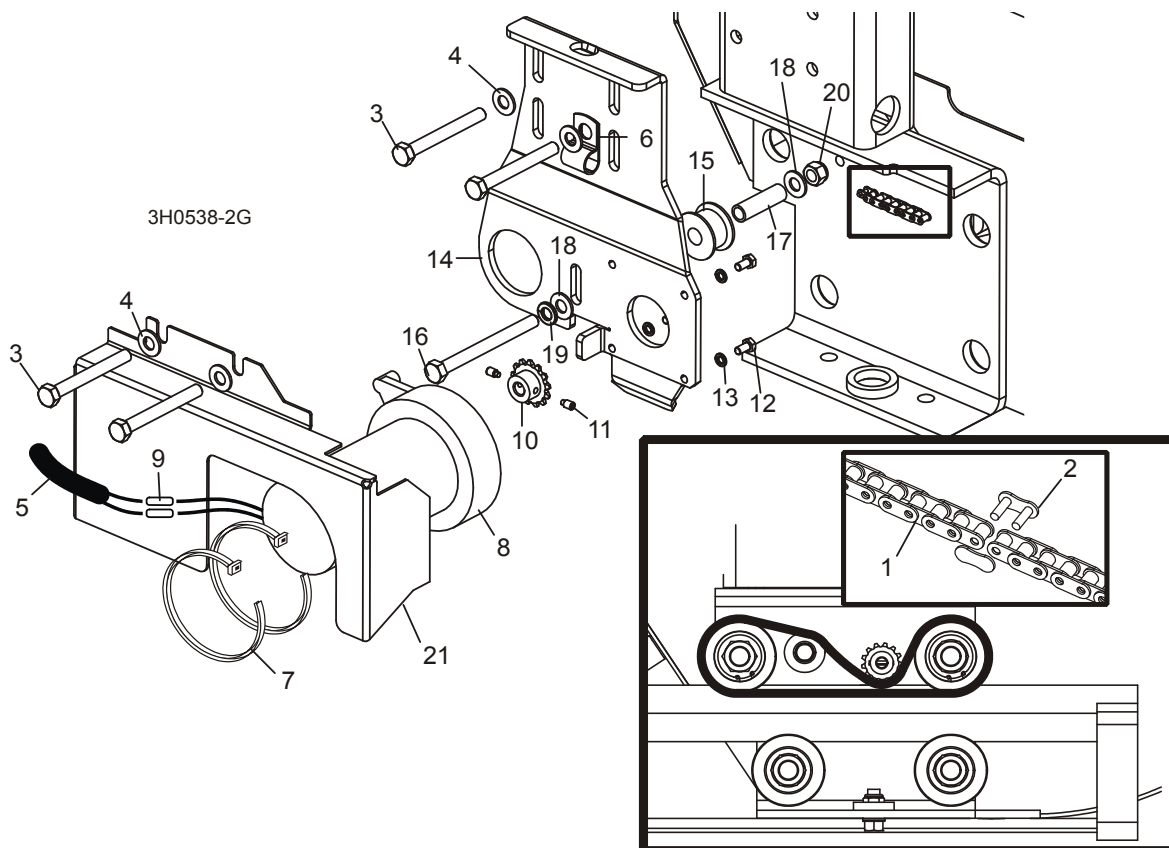
⁶ Stainless Set Screw replaces Zinc plated screw F05007-213 used prior to 6/07 to eliminate screw shearing.

⁷ Bearing must be modified for use with relube roller assemblies. Remove one seal from each bearing, place open sides facing each other and place spacer 035411 between bearings.

2 Blade Guide Rollers & Arm

Blade Guide Arm Drive Assembly

2.7 Blade Guide Arm Drive Assembly



REF	DESCRIPTION (◆ Indicates Parts Available In Assemblies Only)	PART #	QTY.
1	CHAIN, #25 X 20 1/4"	P09984	1
2	LINK, #25 MASTER	P09983	1
3	BOLT, 5/16-18 X 2 3/4" HEX HEAD GRADE 5	F05006-28	4
4	WASHER, 5/16" SAE FLAT	F05011-17	4
5	TUBE, 3/8" X 1/2" NEOPRENE	R01897	2.5ft
6	CLAMP, 1/2" COATED EMT	P07584	2
7	WRAP, 1/4" X 6" TIE	F05089-1	2
	DRIVE ASSEMBLY, BLADE GUIDE ARM	015989	1
	Motor Assembly, Blade Guide Arm Replacement	A10353	1
8	Motor, Blade Guide Arm 53:1 Gear	P09698-1	1
	Housing, Klauber Motor End	P12756	1
	Gear Kit, Klauber Motor Replacement	P12569	1
	Brush Kit, Gear Motor Replacement	P12800	1
	Shaft Kit, Klauber Gear Motor Replacement	009695	1
9	Connector, 14 Gauge Butt	F04875-1	2
10	Sprocket, Gear Motor #25 14-Tooth	P09970 ¹	1
11	Screw, #10-24 x 1/4" Full Dog Point Socket Set	F05004-274	2

Blade Guide Rollers & Arm

Blade Guide Arm Drive Assembly

2

12	Screw, #10-32 x 1/2" Hex Head	F05004-60	4	
13	Washer, #10 Split Lock	F05011-20	4	
	Instruction Sheet, Blade Guide Arm Motor	A10365-296	1	
14	Bracket, Blade Guide Arm Motor Mount	015939	1	
15	Roller, Blade Guide Arm Chain Idler	S09999	1	
16	Bolt, 5/16-18 X 3 1/2" Hex Head Full Thread	F05006-3	1	
17	Spacer, 5/16" I.D. X 1 1/2"	S09996	1	
18	Washer, 5/16" SAE Flat	F05011-17	2	
19	Washer, 5/16" Split Lock	F05011-13	1	
20	Nut, 5/16-18 Hex Nylon Lock	F05010-58	1	
21	COVER, BLADE GUIDE ARM MOTOR	S11617	1	
	GUARD, BLADE GUIDE ARM (G.S. ONLY)	S12029	1	

¹ Sprocket modified 6/11 with threaded holes to accept included set screws (replace 1/8" x 3/4" roll pin F05012-6).

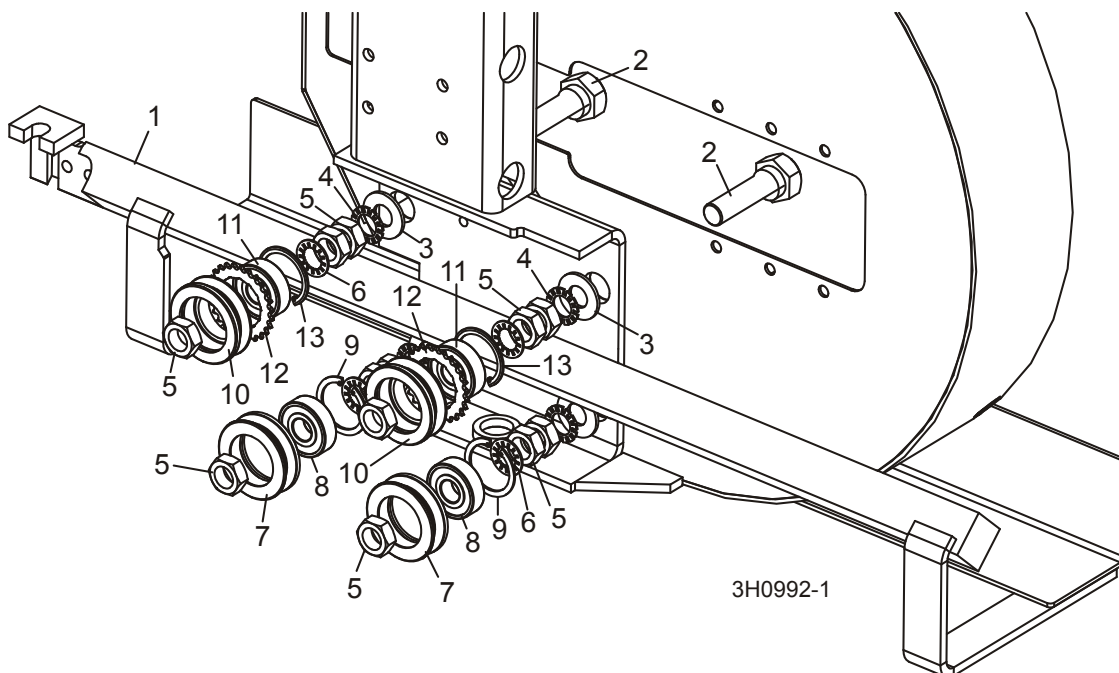
2 Blade Guide Rollers & Arm

Blade Guide Arm

2.8 Blade Guide Arm

LT40 Super

Rev. J5.03 - J7.02

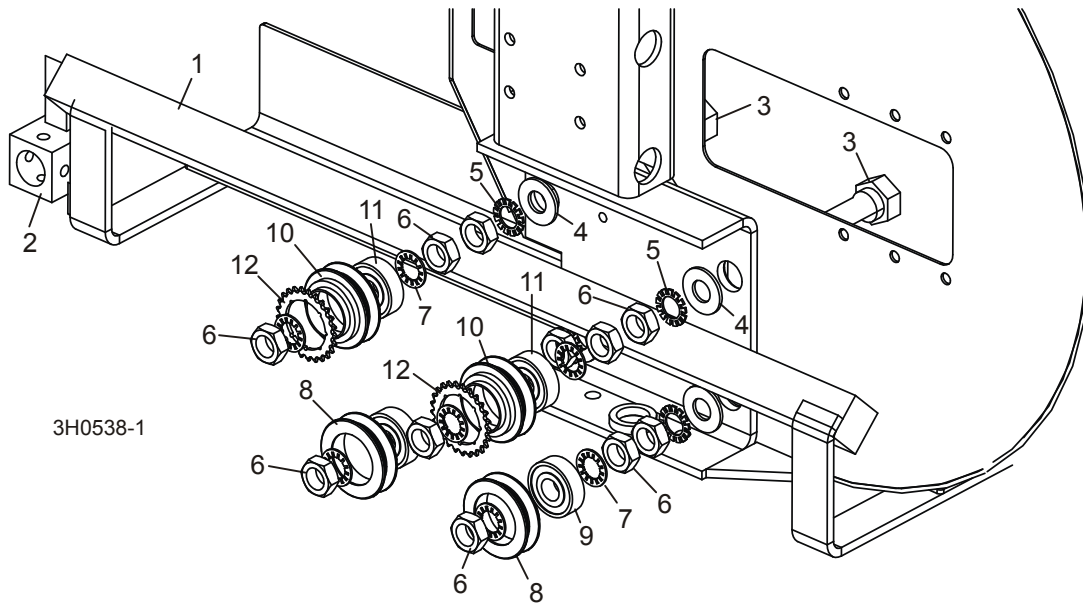


REF	DESCRIPTION (◆ Indicates Parts Available In Assemblies Only)	PART #	QTY.	
1	BLADE GUIDE ARM WELDMENT	003972	1	
2	BOLT, BLADE GUIDE ARM ROLLER CAM	W09067	4	
3	WASHER, 5/8" SAE FLAT	F05011-5	4	
4	WASHER, 5/8" EXTERNAL STAR	F05011-26	4	
5	NUT, 5/8-18 HEX JAM	F05010-11	12	
6	WASHER, 5/8" INTERNAL STAR	F05011-25	8	
	ROLLER ASSEMBLY, BLADE GUIDE ARM WITH BEARING	A09059	2	
7	Roller, Blade Guide Arm V-Groove	S07989	1	◆
8	Bearing, 6203-2NSL 5/8" I.D.	P06030-1	1	◆
9	Ring, 1.575" ID Beveled 5002-156 Retaining	F04254-8	1	
	ROLLER ASSEMBLY, BLADE GUIDE ARM WITH BEARING AND SPROCKET	A09932	2	
10	Roller, Blade Guide Arm Drive	S09930	1	◆
11	Bearing, 6203-2NSL 5/8" I.D.	P06030-1	1	◆
12	Sprocket, #25 26-Tooth	S09931	1	◆
13	Ring, 1.575" ID Beveled 5002-156 Retaining	F04254-8	1	

2.9 Blade Guide Arm

LT30 Super
LT40 Super

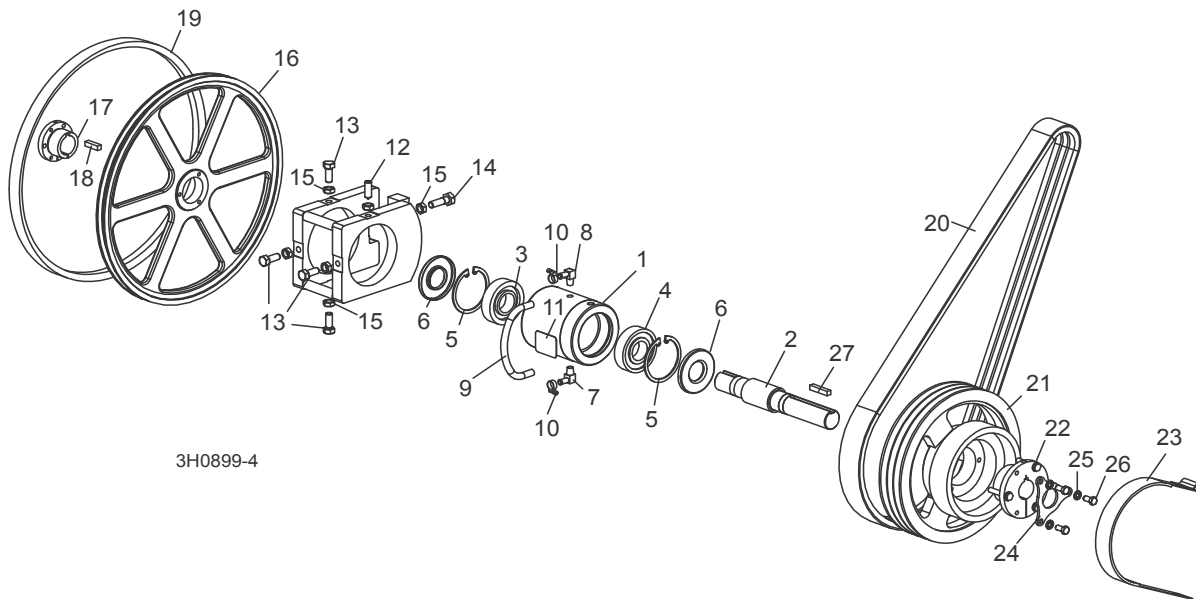
Rev. J2.01 - J3.08
Rev. J3.01 - J5.02



REF	DESCRIPTION (◆ Indicates Parts Available In Assemblies Only)	PART #	QTY.	
1	BLADE GUIDE ARM WELDMENT (U.S. 28 5/8" [72.7 CM])	W10005	1	
	BLADE GUIDE ARM WELDMENT (G.S. 37 1/8" [94.2 CM])	W10429	1	
2	Tube, Blade Guide Mount (U.S. - Welded to Blade Guide Arm)	W08159	1	
	Tube, Blade Guide Mount (G.S. - Bolted to Blade Guide Arm)	W10426	1	
3	BOLT, BLADE GUIDE ARM ROLLER CAM	W09067	4	
4	WASHER, 5/8" SAE FLAT	F05011-5	4	
5	WASHER, 5/8" EXTERNAL STAR	F05011-26	4	
6	NUT, 5/8-18 HEX JAM	F05010-11	12	
7	WASHER, 5/8" INTERNAL STAR	F05011-25	8	
	ROLLER ASSEMBLY, BLADE GUIDE ARM WITH BEARING	A09059	2	
8	Roller, Blade Guide Arm V-Groove	S07989	1	◆
9	Bearing, 6203-2NSL 5/8" I.D.	P06030-1	1	◆
	Ring, 1.575" ID Beveled 5002-156 Retaining	F04254-8	1	
	ROLLER ASSEMBLY, BLADE GUIDE ARM WITH BEARING AND SPROCKET	A09932	2	
10	Roller, Blade Guide Arm Drive	S09930	1	◆
11	Bearing, 6203-2NSL 5/8" I.D.	P06030-1	1	◆
12	Sprocket, #25 26-Tooth	S09931	1	◆
	Ring, 1.575" ID Beveled 5002-156 Retaining	F04254-8	1	

SECTION 3 BLADE WHEELS & TENSIONER

3.1 Blade Drive Assembly



REF	DESCRIPTION (◆ Indicates Parts Available In Assemblies Only)	PART #	QTY.	
	BEARING ASSEMBLY, BLADE WHEEL DRIVE	016393	1	
	Bearing Assembly, Cylindrical Drive	016392	1	◆
1	Housing, Blade Wheel Drive Bearing	016391	1	◆
2	Shaft, Blade Wheel Drive	014005	1	◆
3	Bearing, Blade Wheel Drive #MU1308TV	P10205	1	◆
4	Bearing, Blade Wheel Drive #6308 C3 Open	016055	1	◆
5	Ring, 90mm Interior Retaining #I17	F04254-17	2	
6	Seal, Drive Bearing #CR15890	P10206-K	2	
7	Fitting, 1/4" NPT x 3/8" Hose Barb Elbow	016330	1	
8	Fitting, 1/4" NPT x 3/8" Hose Barb Vented Elbow	016331	1	
9	Hose, Oil Level Viewer	016394	1	
10	Clamp, 7/32-5/8" Hose	P649	2	
11	Decal, Oil Level Gauge	017470	1	
	Instruction Sheet, Drive Bearing Replacement	016393-555	1	
12	SCREW, 1/2-20 X 1 1/2" CONE POINT SET	F05004-170	1	
13	BOLT, 1/2-20 X 1 1/4" HEX HEAD GRADE 5	F05008-108	4	
14	BOLT, 1/2-20 X 1 3/4" HEX HEAD GRADE 5	F05008-49	1	
15	NUT, 1/2-20 HEX JAM	F05010-16	6	
	WHEEL KIT, DRIVE SIDE BLADE	014562	1	

Blade Wheel & Tensioner

Blade Drive Assembly

3

16	Wheel, Drive Side Blade	016284	1	◆
17	Bushing, Modified 1 9/16" SD	016270	1	
18	Key, 3/8" x 3/8" x 1 5/8"	S12892	1	
	Instruction Sheet, Drive Side Blade Wheel Replacement	K12897-488	1	
19	BELT, BLADE WHEEL B57	P04185	1	
20	BELT, 3/5VL750 DRIVE (G36/D42/E25 60HZ)	006672 ¹	1	
	BELT, 3/5VL770 DRIVE (D47/D51)	046571	1	
	BELT, 3/5VL760 DRIVE (E25 50HZ ²)	016557	1	
21	SHEAVE, 5V12.5X3 BRAKE COMBO	016531	1	
22	BUSHING, SF X 1 9/16"	016532	1	
23	STRAP, METAL-BACKED BRAKE	014391	1	
24	PLATE, BUSHING KEY RETAINER	017953	1	
25	WASHER, 3/8" SPLIT LOCK	F05011-4	3	
26	BOLT, 3/8-16 X 3/4" HEX HEAD	F05007-27	3	
27	KEY, 3/8" X 3/8" X 1 7/8"	014693	1	

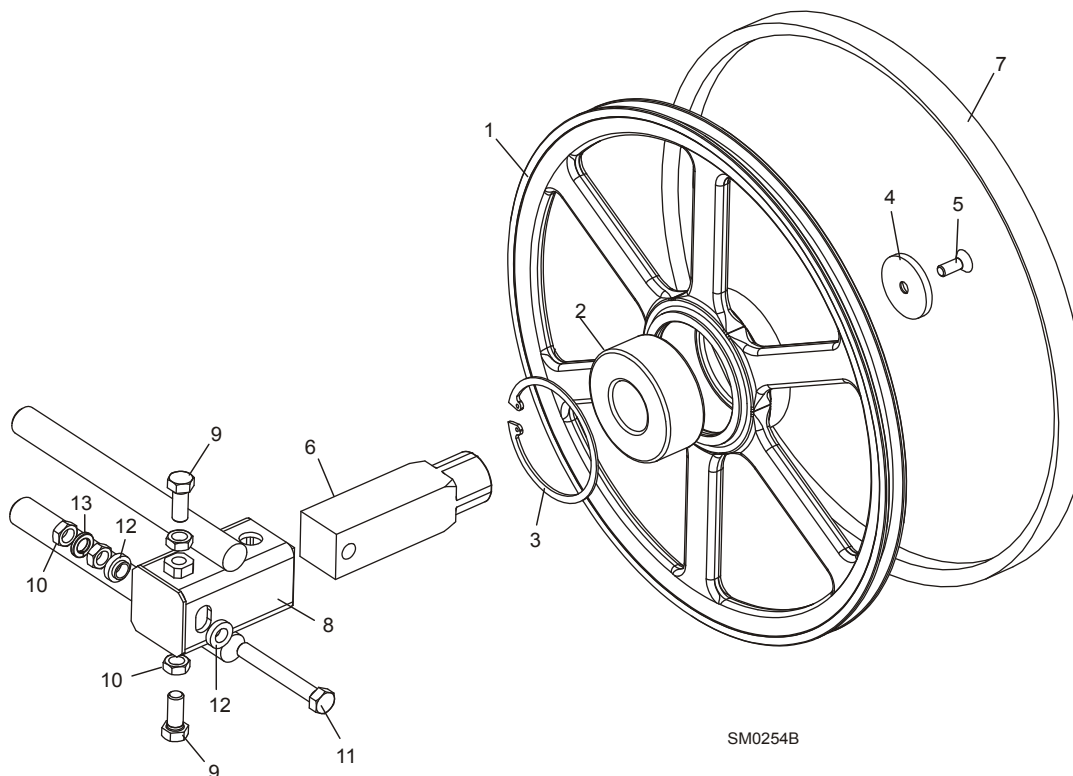
¹ Cog-style belt 006672 replaces 016556 originally supplied prior to Rev. J5.04 to reduce slippage.

² Alternate parts for 50Hz Electric operation. Complete conversion kit available (Part Number 015863).

3 Blade Wheels & Tensioner

Idle Blade Wheel Assembly

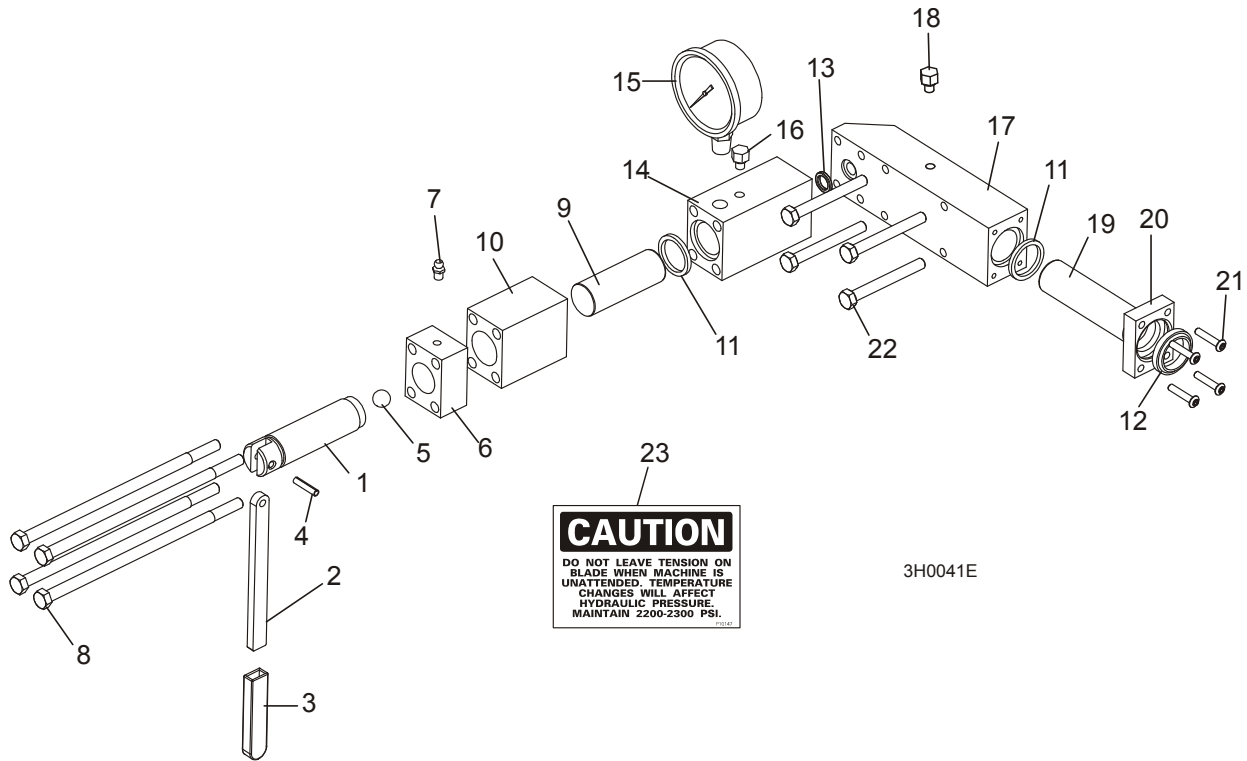
3.2 Idle Blade Wheel Assembly



REF	DESCRIPTION (◆ Indicates Parts Available In Assemblies Only)	PART #	QTY.	
	WHEEL ASSEMBLY, IDLE SIDE BLADE	016120	1	
1	Wheel, Idle Side Blade	016013	1	◆
2	Bearing, Idle Side Blade Wheel #5309-2RS, C3, SRI-2 Grease	016014	1	
3	Ring, 100mm Internal Retaining Beveled	F04254-28	1	
	SHAFT KIT, IDLE BLADE WHEEL	016441	1	
4	Washer, 13/32" I.D. x 2 3/16 O.D. x 1/4"	016397	1	
5	Bolt, 3/8-16 x 1" Flat Head Socket	F05007-64	1	
6	Shaft, Idle Side Blade Wheel	016398	1	
7	BELT, BLADE WHEEL B57	P04185	1	
8	HOUSING, IDLE BLADE WHEEL SHAFT	016103	1	
9	BOLT, 1/2-20 X 1 1/2" HEX HEAD GRADE 5	F05008-53 ¹	2	
10	NUT, 1/2-20 HEX JAM	F05010-16	4	
11	BOLT, 1/2-20 X 3 3/4" HEX HEAD FULL THREAD GRADE 2	F05008-111	1	
12	SPACER, 1/2" I.D. FLANGED	S04253	2	
13	WASHER, 1/2" SPLIT LOCK	F05011-9	1	

¹ Replaces 1 1/4" Bolt F05008-108 originally supplied to allow for more tilt adjustment. Requires trimming of blade guide arm drive cover and mount channel to provide clearance for longer bolt (LT40 Super Rev. J5.02).

3.3 Hydraulic Blade Tensioner Assembly



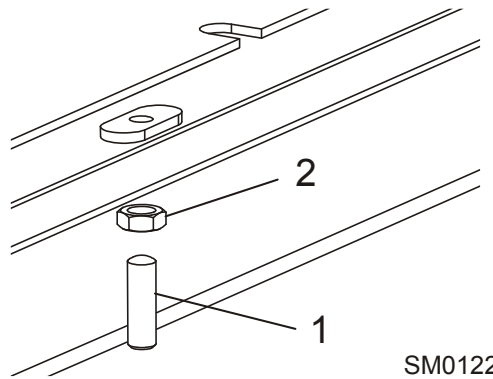
REF	DESCRIPTION (◆ Indicates Parts Available In Assemblies Only)	PART #	QTY.	
	HYDRAULIC BLADE TENSIONER ASSEMBLY	A10136	1	
	Handle Assembly, Hydraulic Blade Tensioner Screw	A12294	1	
1	Screw, Hydraulic Blade Tensioner	S10056	1	◆
2	Handle, Hydraulic Tensioner Screw	S08174	1	
3	Sleeve, Plastic Handle	P08072	1	
4	Pin, 3/16" x 7/8" Roll	F05012-19	1	
5	Ball, 1/2" Steel	P02720	1	
6	Block, Threaded Tensioner End	S10062	1	◆
7	Fitting, 1/4-28 Grease	P05060	1	
	Instruction Sheet, Tensioner Screw	A12294-518	1	
8	Bolt, 5/16-18 X 7 1/2" Hex Head Grade 5	F05006-43	4	
9	Piston, Hydraulic Tensioner Front 2 3/4" Long	S10060	1	
10	Block, Piston Guide	S10061	1	
	Seal Kit, Hydraulic Tensioner	003224	1	
5	Ball, 1/2" Steel	P02720	1	
11	Seal, 1" Diameter	P10051	2	
12	Wiper, 1" Diameter	P10053	1	
13	Ring, 5/8" X 3/32" Square "O"	P10377	1	

3**Blade Wheels & Tensioner***Hydraulic Blade Tensioner Assembly*

14	Block, Hydraulic Tensioner Gauge Mounting	S10140	1	
15	Gauge, 5000 P.S.I.	P10052	1	
16	Plug, Hydraulic Tensioner Fill	P10065	1	
	Block Assembly, Rear Tensioner Piston	016329	1	
17	Block, Rear Tensioner Piston	S10142	1	◆
18	Plug, Hydraulic Tensioner Fill	P10065	1	
19	Piston, Hydraulic Tensioner Rear 3 5/8" Long	S10059	1	
20	Block, Rear Piston End	S10089	1	
21	Bolt, #10-24 X 1" Socket Button Head	F05004-43	4	
22	Bolt, 5/16-18 X 2 3/4" Hex Head Grade 5	F05006-28	4	
23	Decal, Hydraulic Tension Caution	P10147	1	
	Instruction Sheet, Hydraulic Tensioner Installation	A10136-272	1	

SECTION 4 SAW HEAD

4.1 Middle Throat Screw

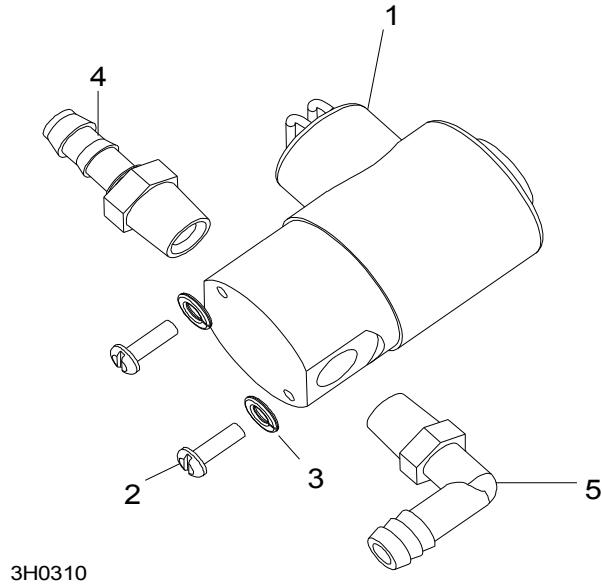


REF	DESCRIPTION (◆ Indicates Parts Available In Assemblies Only)	PART #	QTY.	
1	SCREW, 3/8-16 X 1 1/4" OVAL POINT SOCKET SET	F05007-18	1	
2	NUT, 3/8-16 HEX JAM	F05010-29	1	

4 Saw Head

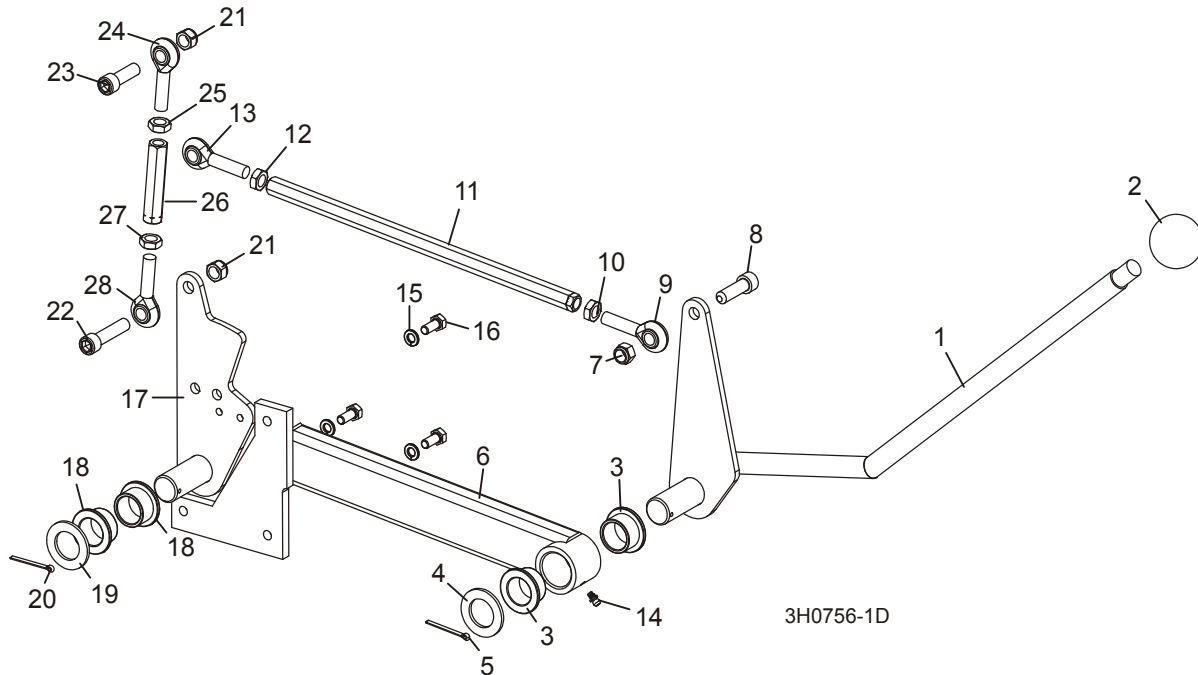
Water Lube Solenoid Valve

4.2 Water Lube Solenoid Valve



REF	DESCRIPTION (◆ Indicates Parts Available In Assemblies Only)	PART #	QTY.	
	VALVE KIT, WATER LUBE SOLENOID	016280	1	
1	Valve, Water Lube Solenoid	016140	1	◆
2	Screw, #10-32 x 1/2" Slotted Round Head	F05004-55	2	
3	Washer, #10 Split Lock	F05011-20	2	
4	FITTING, 1/4" MALE NPT 3/8" HOSE BARB	P04682	1	
5	FITTING, 1/4" MALE NPT 3/8" HOSE BARB ELBOW	P04730	1	

4.3 Clutch/Brake Lever Assembly (G36/D42/D47/D51)



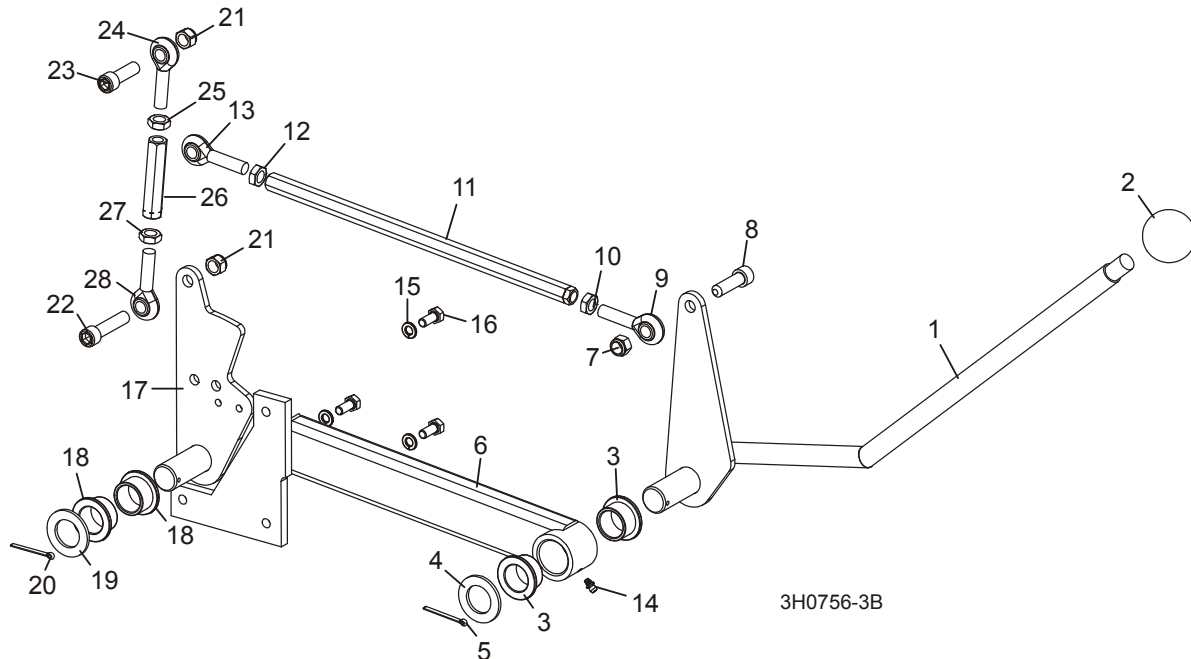
REF	DESCRIPTION (◆ Indicates Parts Available In Assemblies Only)	PART #	QTY.	
	HANDLE ASSEMBLY, EXTENDED CLUTCH/BRAKE	016317	1	
1	Lever, Clutch/Brake	016295	1	◆
2	Knob, Plastic Round	P04211	1	
3	Bushing, Clutch/Brake Pivot	P737	2	
4	Washer, Clutch/Brake Pivot	P116	1	
5	Pin, 1/8" X 1 1/2" Cotter	F05012-49	1	
6	Extension Weldment, Clutch Handle	015241	1	
7	Nut, 7/16-20 Nylon Lock	F05010-83	1	
8	Screw, 7/16-20 x 1 1/2" Socket Head	F05007-55	1	
9	Rod End, 7/16-20 Left Hand Thread	P11578	1	
10	Nut, 7/16-20 Hex Jam Left Hand Thread	F05010-87	1	
11	Rod, Clutch Extension	015073	1	
12	Nut, 7/16-20 Hex Jam	F05010-38	1	
13	Rod End, 7/16-20 Right Hand Thread	P11579	1	
14	Fitting, 3/16" Straight Grease	P04107	1	
15	WASHER, 5/16" SPLIT LOCK	F05011-13	3	
16	BOLT, 5/16-18 X 3/4" HEX HEAD	F05006-5	3	
17	PLATE WELDMENT, CLUTCH PIVOT	016296	1	
18	BUSHING, CLUTCH/BRAKE PIVOT	P737	2	
19	WASHER, CLUTCH/BRAKE PIVOT	P116	1	
20	PIN, 1/8" X 1 1/2" COTTER	F05012-49	1	

4

Saw Head*Clutch/Brake Lever Assembly (G36/D42/D47/D51)*

21	NUT, 7/16-20 HEX NYLON LOCK	F05010-83	2	
22	BOLT, 7/16-20 X 2" SOCKET HEAD	F05007-120	1	
23	BOLT, 7/16-20 X 1 1/2" SOCKET HEAD	F05007-55	1	
	TURNBUCKLE ASSEMBLY, 3 1/2" CLUTCH/BRAKE LEVER	A11576	1	
24	Rod End, 7/16-20 Right Hand Thread	P11579	1	
25	Nut, 7/16-20 Hex Jam	F05010-38	1	
26	Turnbuckle, 3 1/2" Clutch/Brake Lever	S12262	1	◆
27	Nut, 7/16-20 Hex Jam Left Hand Thread	F05010-87	1	
28	Rod End, 7/16-20 Left Hand Thread	P11578	1	

4.4 Clutch/Brake Lever Assembly (E25)



REF	DESCRIPTION (◆ Indicates Parts Available In Assemblies Only)	PART #	QTY.	
	HANDLE ASSEMBLY, EXTENDED CLUTCH/BRAKE	016317	1	
1	Lever, Clutch/Brake	016295	1	◆
2	Knob, Plastic Round	P04211	1	
3	Bushing, Clutch/Brake Pivot	P737	2	
4	Washer, Clutch/Brake Pivot	P116	1	
5	Pin, 1/8" X 1 1/2" Cotter	F05012-49	1	
6	Extension Weldment, Clutch Handle	015241	1	
7	Nut, 7/16-20 Nylon Lock	F05010-83	1	
8	Screw, 7/16-20 x 1 1/2" Socket Head	F05007-55	1	
9	Rod End, 7/16-20 Left Hand Thread	P11578	1	
10	Nut, 7/16-20 Hex Jam Left Hand Thread	F05010-87	1	
11	Rod, Clutch Extension	015073	1	
12	Nut, 7/16-20 Hex Jam	F05010-38	1	
13	Rod End, 7/16-20 Right Hand Thread	P11579	1	
14	Fitting, 3/16" Straight Grease	P04107	1	
15	WASHER, 5/16" SPLIT LOCK	F05011-13	3	
16	BOLT, 5/16-18 X 3/4" HEX HEAD	F05006-5	3	
17	PLATE WELDMENT, CLUTCH PIVOT	016296	1	
18	BUSHING, CLUTCH/BRAKE PIVOT	P737	2	
19	WASHER, CLUTCH/BRAKE PIVOT	P116	1	
20	PIN, 1/8" X 1 1/2" COTTER	F05012-49	1	

4

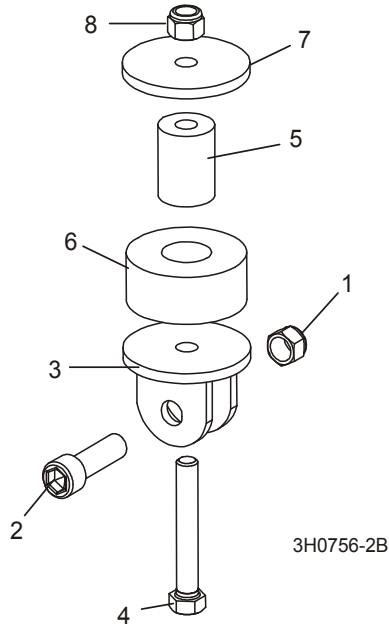
Saw Head

Clutch/Brake Lever Assembly (E25)

21	NUT, 7/16-20 HEX NYLON LOCK	F05010-83	2	
22	BOLT, 7/16-20 X 2" SOCKET HEAD	F05007-120	1	
23	BOLT, 7/16-20 X 1 1/2" SOCKET HEAD	F05007-55	1	
	TURNBUCKLE ASSEMBLY, 3" CLUTCH/BRAKE LEVER	A12304	1	
	TURNBUCKLE ASSEMBLY, 3 1/2" CLUTCH/BRAKE LEVER (50HZ ELECTRIC ONLY)	A11576 ¹	1	
24	Rod End, 7/16-20 Right Hand Thread	P11579	1	
25	Nut, 7/16-20 Hex Jam	F05010-38	1	
26	Turnbuckle, 3" Clutch/Brake Lever	S11577-W	1	◆
	Turnbuckle, 3 1/2" Clutch/Brake Lever (50Hz Electric Only)	S12262 ¹	1	◆
27	Nut, 7/16-20 Hex Jam Left Hand Thread	F05010-87	1	
28	Rod End, 7/16-20 Left Hand Thread	P11578	1	

¹ Alternate parts for 50Hz Electric operation. Complete conversion kit available (Part Number 015863).

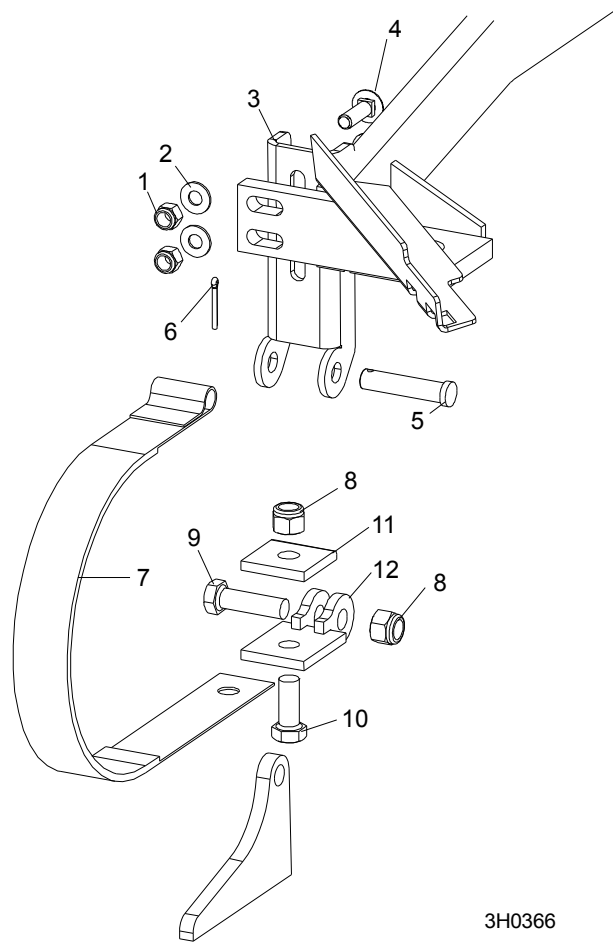
4.5 Clutch Mount Assembly



REF	DESCRIPTION (◆ Indicates Parts Available In Assemblies Only)	PART #	QTY.
1	NUT, 7/16-20 HEX NYLON LOCK	F05010-83	1
2	BOLT, 7/16-20 X 1 1/2" SOCKET HEAD	F05007-55	1
3	BRACKET, CLUTCH MOUNT	W12411	1
4	BOLT, 3/8-16 X 2 1/2" HEX HEAD	F05007-157	1
5	SPACER, MOTOR MOUNT VIBRATION BUSHING	016316	1
6	BUSHING, MOTOR MOUNT VIBRATION	P05032	1
7	WASHER, .40" I.D. X 1.44" O.D. X .18" THICK	021276	1
8	NUT, 3/8-16 NYLON LOCK	F05010-10	1

4 Saw Head Brake Assembly

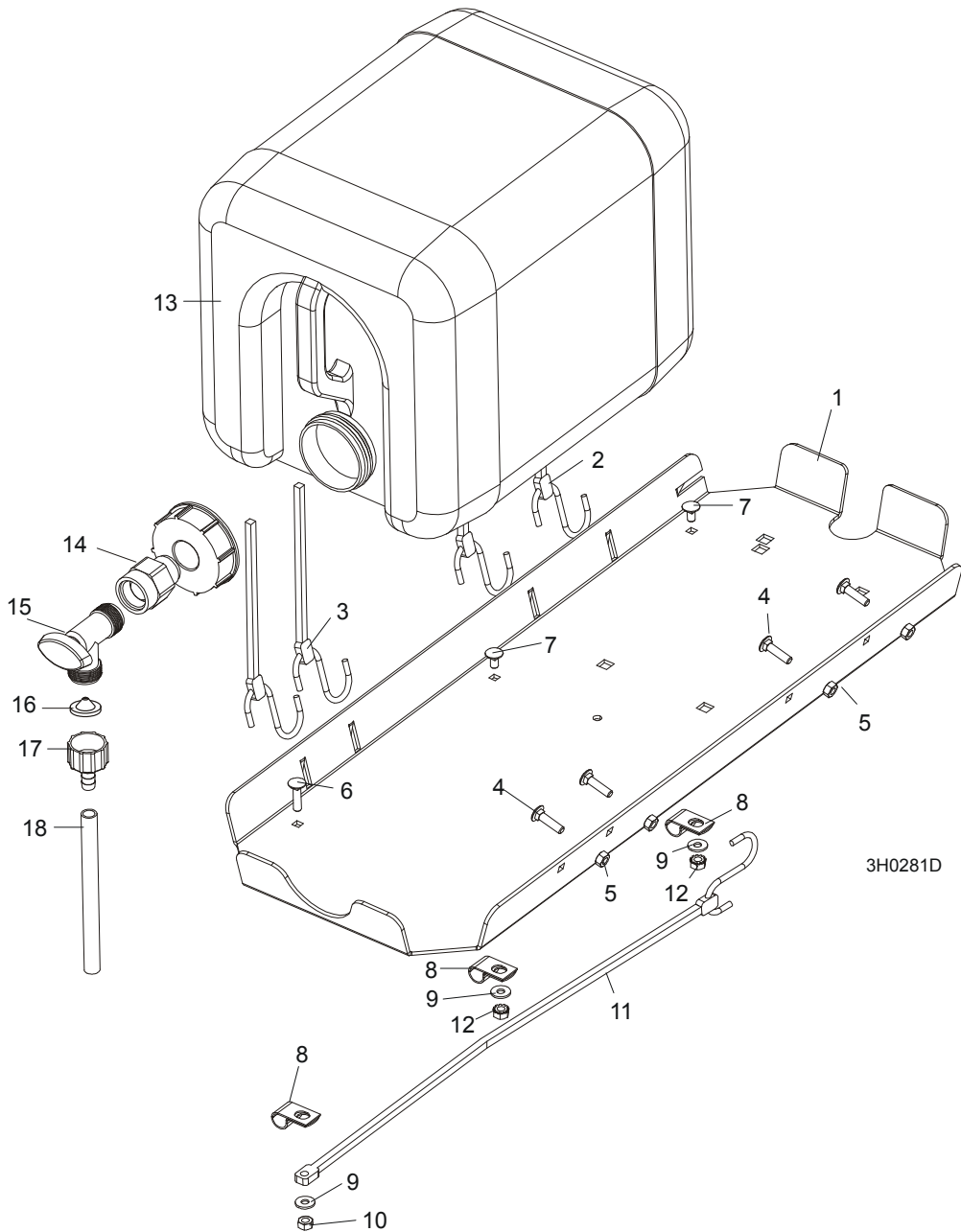
4.6 Brake Assembly



3H0366

REF	DESCRIPTION (◆ Indicates Parts Available In Assemblies Only)	PART #	QTY.
	STRAP RETROFIT, SUPER BRAKE	014441	1
1	Nut, 3/8-16 Nylon Lock	F05010-10	2
2	Washer, 3/8" SAE Flat	F05011-3	2
3	Bracket, Upper Super Brake Strap Mount	014395	1
4	Bolt, 3/8-16 x 1 1/4" Carriage Head Grade 5	F05007-127	2
5	Pin, 1/2" x 2 1/4" Clevis	F05012-81	1
6	Pin, 1/8" x 1" Cotter	F05012-1	1
7	Strap, Upper Pivot Metal Brake	014391	1
8	Nut, 1/2-13 Nylon Lock	F05010-8	2
9	Bolt, 1/2-13 x 1 3/4" Hex Head Grade 5	F05008-88	1
10	Bolt, 1/2-13 x 1 1/4" Hex Head Grade 5	F05008-37	1
11	Plate, Brake Strap Clamp	S04195	1
12	Bracket, Lower Super Brake Strap Mount	014392	1

4.7 Water Lube Assembly



REF	DESCRIPTION (◆ Indicates Parts Available In Assemblies Only)	PART #	QTY.	
	TRAY ASSEMBLY, FUEL TANK/WATER BOTTLE	A11685	1	
1	Tray, Fuel Tank/Water Bottle	S11684	1	◆
2	Strap, 24" Rubber (For Fuel Tank - See Engine Manual)	P11258	2	
3	Strap, 20" Rubber	P11668	2	

4

Saw Head*Water Lube Assembly*

4	Bolt, 1/4-20 X 1" Carriage Head	F05005-34	4	
5	Nut, 1/4-20 Hex Lock	F05010-21	4	
6	BOLT, 1/4-20 X 1" CARRIAGE HEAD	F05005-34	1	
7	BOLT, 1/4-20 X 1/2" CARRIAGE HEAD	F05005-33	2	
8	CLAMP, 1/2" EMT HOSE	P07584	3	
9	WASHER, 1/4" SAE FLAT	F05011-11	3	
10	NUT, 1/4-20 HEX LOCK	F05010-21	1	
11	STRAP, 15" RUBBER	P07461	1	
12	NUT, 1/4-20 SELF-LOCKING	F05010-9	2	
13	BOTTLE ASSY, WATER LUBE W/CAP	014642 ¹	1	
14	FITTING, 3/4FPT X 3/4MPT	014636	1	
15	FITTING, WATER LUBE SHUTOFF VALVE	014100	1	
16	FILTER, WATER LUBE	016086 ²	1	
17	FITTING, 5/8" NPT TO 3/8" HOSE BARB	014113	1	
18	TUBING, WATER LUBE 3/8" I.D.	R01885	7 ft.	

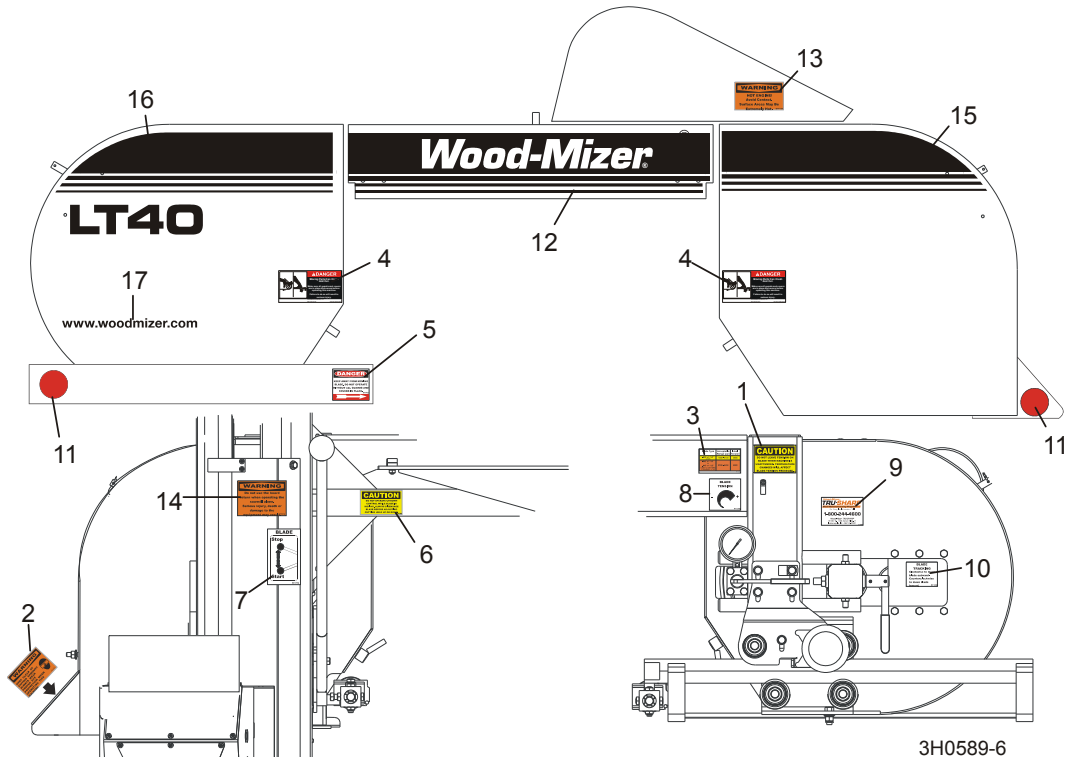
¹ Use Water Bottle Assembly w/Cap 014642 to service all bottle/cap combinations previously supplied. Bottle 014367, 61mm Cap 014773 and 70mm Cap 036744 no longer available separately.

² Filter recommended for Super models to prevent debris from entering water lube solenoid valve.

4.8 Saw Head Decals

LT40 Super

Rev. J5.02 (1/08+) - J7.02



3H0589-6

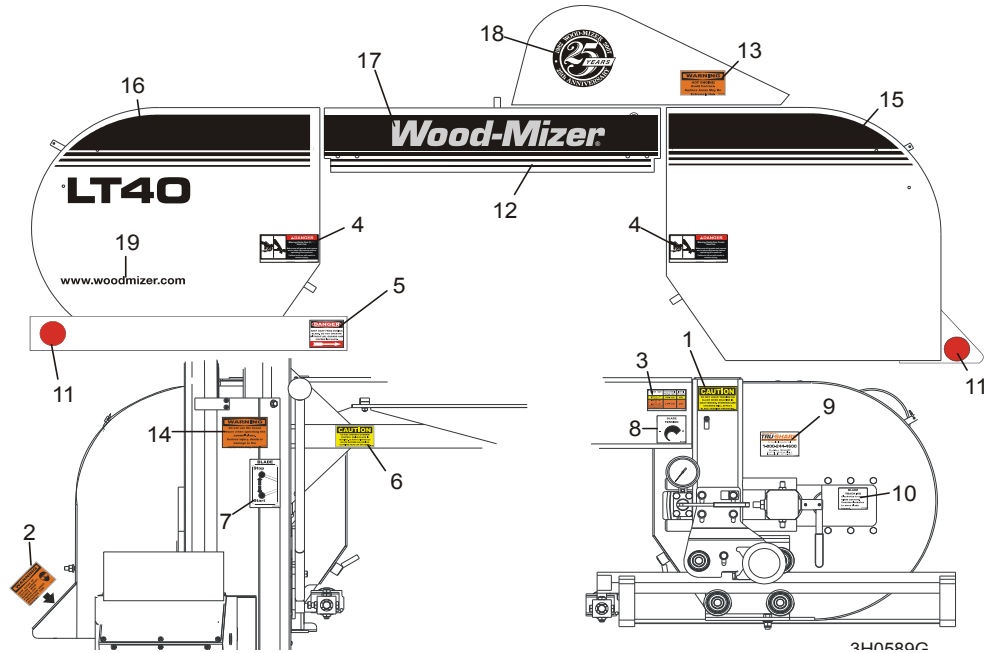
REF	DESCRIPTION (◆ Indicates Parts Available In Assemblies Only)	PART #	QTY.
1	DECAL, BLADE TENSION CAUTION	P10147	1
2	DECAL, SAWDUST CHUTE WARNING	P11754	1
3	DECAL, BLADE TENSION RANGES	P12373	1
4	DECAL, BLADE COVERS DANGER	033254	2
5	DECAL, BLADE DANGER ARROW RIGHT	S11752	1
6	DECAL, UP/DOWN CAUTION	S11762	1
7	DECAL, BLADE START/STOP	P11779	1
8	DECAL, BLADE TENSION INFO	P11790	1
9	DECAL, TRU-SHARP INFO	P12879	1
10	DECAL, BLADE ALIGNMENT INFO	P11789	1
11	DECAL, RED REFLECTIVE 2" ROUND	P07452	2
12	DECAL, MIDDLE COVER	003244	1
13	DECAL, HOT ENGINE WARNING	014419	1
14	DECAL, BOARD RETURN OPERATOR WARNING	016072	1
15	DECAL, BLADE HOUSING COVER (DRIVE SIDE)	003243	1
16	DECAL, BLADE HOUSING COVER (IDLE SIDE LT30)	003245	1
	DECAL, BLADE HOUSING COVER (IDLE SIDE LT40)	003246	1
17	DECAL, WOOD-MIZER WEBSITE	003235	1

4 Saw Head Saw Head Decals

4.9 Saw Head Decals

LT40 Super

Rev. J5.00 (1/07) - J5.02 (12/07)



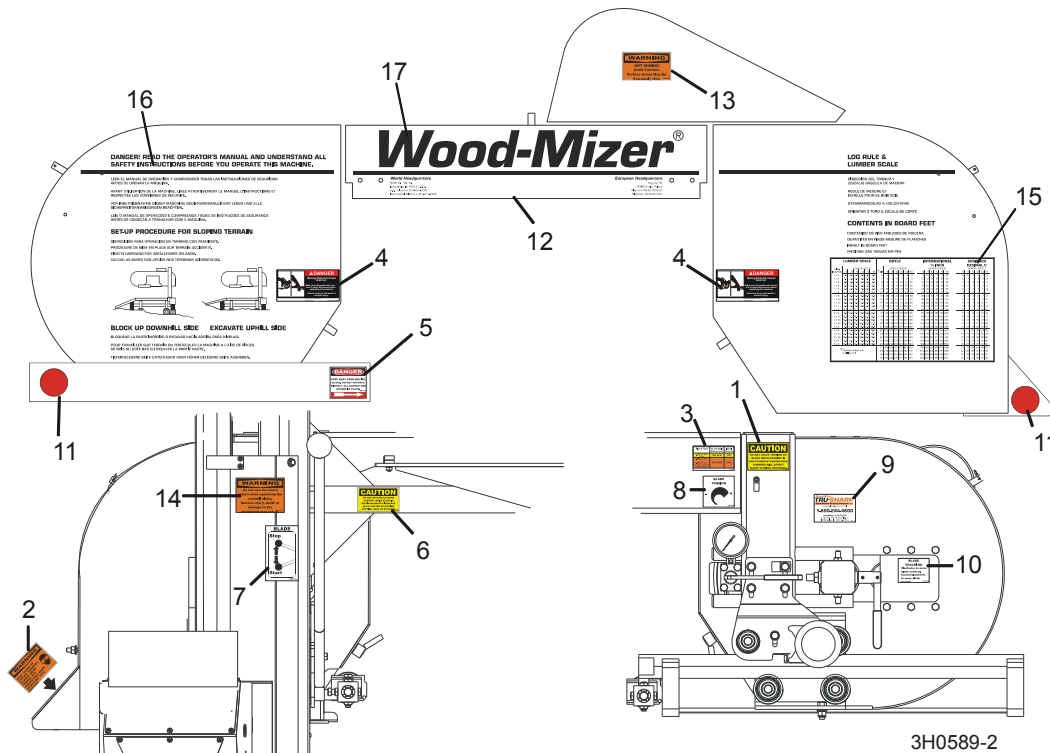
REF	DESCRIPTION (◆ Indicates Parts Available In Assemblies Only)	PART #	QTY.
1	DECAL, BLADE TENSION CAUTION	P10147	1
2	DECAL, SAWDUST CHUTE WARNING	P11754	1
3	DECAL, BLADE TENSION RANGES	P12373	1
4	DECAL, BLADE COVERS DANGER	033254	2
5	DECAL, BLADE DANGER ARROW RIGHT	S11752	1
6	DECAL, UP/DOWN CAUTION	S11762	1
7	DECAL, BLADE START/STOP	P11779	1
8	DECAL, BLADE TENSION INFO	P11790	1
9	DECAL, TRU-SHARP INFO	P12879	1
10	DECAL, BLADE ALIGNMENT INFO	P11789	1
11	DECAL, RED REFLECTIVE 2" ROUND	P07452	2
12	DECAL, MIDDLE COVER	003244 ¹	1
13	DECAL, HOT ENGINE WARNING	014419	1
14	DECAL, BOARD RETURN OPERATOR WARNING	016072	1
15	DECAL, BLADE HOUSING COVER (DRIVE SIDE)	003243 ¹	1
16	DECAL, BLADE HOUSING COVER (IDLE SIDE LT30)	003245 ¹	1
	DECAL, BLADE HOUSING COVER (IDLE SIDE LT40)	003246 ¹	1
17	DECAL, SILVER WOOD-MIZER LOGO	003234 ¹	1
18	DECAL, ANNIVERSARY LOGO	003236 ¹	1
19	DECAL, WOOD-MIZER WEBSITE	003235	1

¹ Log Scale Decal 016243, Sawmill Setup Decal 016242, & Super Logo Decal 014166 replaced with new logo decals 1/07.

4.10 Saw Head Decals

LT30 Super
LT40 Super

Rev. J2.01 - J3.08
Rev. J3.01 - Rev. J5.00 (12/06)



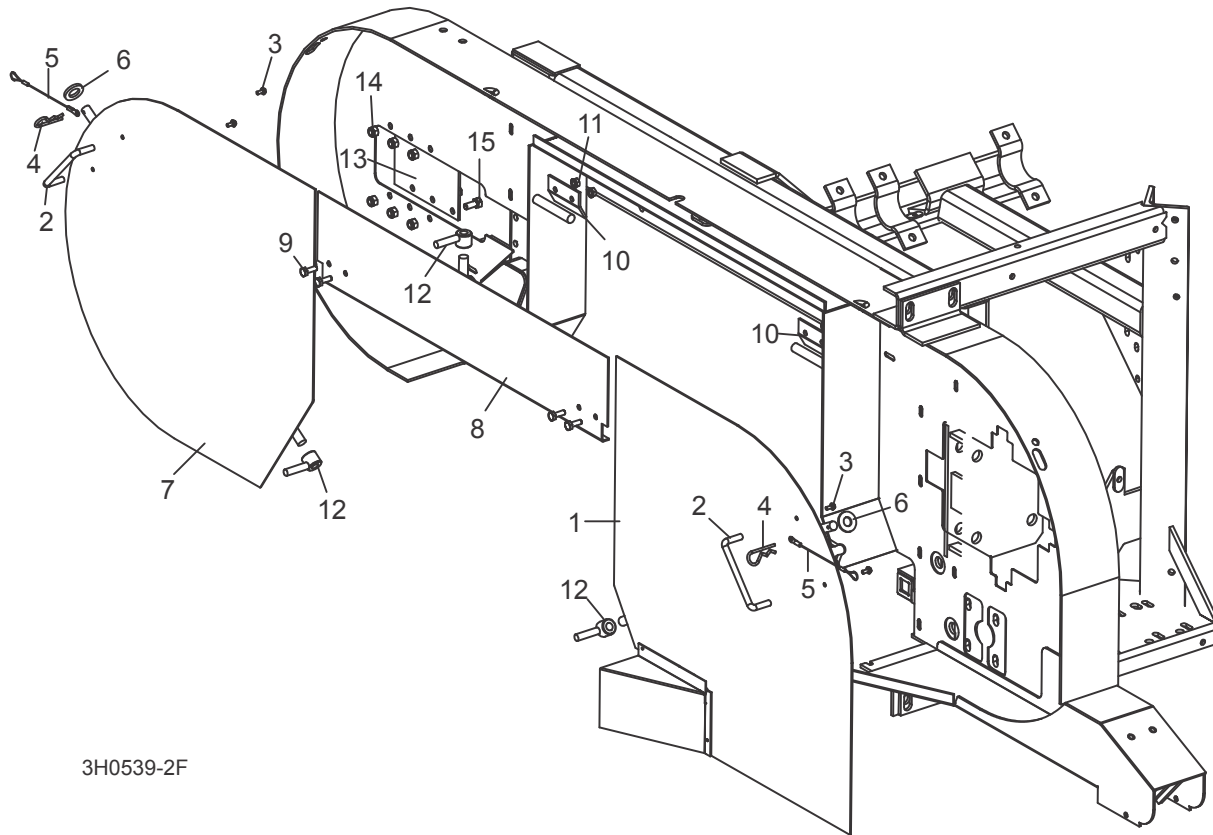
3H0589-2

REF	DESCRIPTION (◆ Indicates Parts Available In Assemblies Only)	PART #	QTY.
1	DECAL, BLADE TENSION CAUTION	P10147	1
2	DECAL, SAWDUST CHUTE WARNING	P11754	1
3	DECAL, BLADE TENSION RANGES	P12373	1
4	DECAL, BLADE COVERS DANGER	033254	2
5	DECAL, BLADE DANGER ARROW RIGHT	S11752	1
6	DECAL, UP/DOWN CAUTION	S11762	1
7	DECAL, BLADE START/STOP	P11779	1
8	DECAL, BLADE TENSION INFO	P11790	1
9	DECAL, TRU-SHARP INFO	P12879	1
10	DECAL, BLADE ALIGNMENT INFO	P11789	1
11	DECAL, RED REFLECTIVE 2" ROUND	P07452	2
12	DECAL, SUPER	014166	1
13	DECAL, HOT ENGINE WARNING	014419	1
14	DECAL, BOARD RETURN OPERATOR WARNING	016072	1
15	DECAL, BLADE HOUSING COVER (DRIVE SIDE)	016243	1
16	DECAL, BLADE HOUSING COVER (IDLE SIDE)	016242	1
17	DECAL, BLADE HOUSING COVER (MIDDLE)	016244	1

4 Saw Head

Blade Housing Covers

4.11 Blade Housing Covers



3H0539-2F

REF	DESCRIPTION (◆ Indicates Parts Available In Assemblies Only)	PART #	QTY.	
	COVER ASSEMBLY, DRIVE SIDE BLADE HOUSING WITH HANDLE	015937 ¹	1	
1	Cover, Drive Side Blade Housing (Includes Cover Decal - See Section 4.8)	015911	1	◆
2	Handle, Blade Housing Cover	P08065	1	
3	Screw, #8-32 X 3/8" Self-Tap	F05015-8	2	
	Pin Assembly, Cover Retainer	A12812	1	
4	Pin, Safety Retainer	P05059	1	
5	Cable, 3/64" x 6" Lanyard	016030	1	
6	Washer, 1/2" ID x 1 1/8" OD x .093" Rubber	F05011-87	1	
	COVER, IDLE SIDE BLADE HOUSING WITH HANDLE	A09419	1	
7	Cover, Idle Side Blade Housing (Includes Cover Decal - See Section 4.8)	W09351	1	◆
2	Handle, Blade Housing Cover	P08065	1	
3	Screw, #8-32 X 3/8" Self-Tap	F05015-8	2	
	Pin Assembly, Cover Retainer	A12812	1	
4	Pin, Safety Retainer	P05059	1	
5	Cable, 3/64" x 6" Lanyard	016030	1	

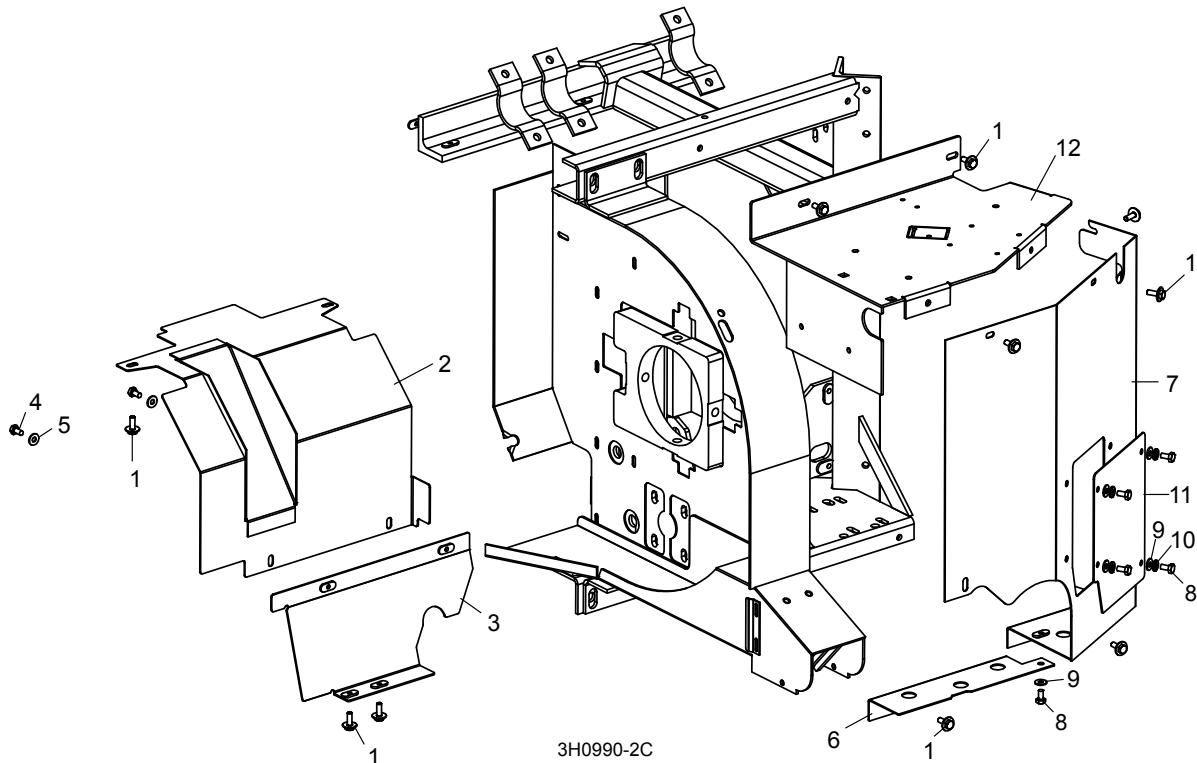
6	Washer, 1/2" ID x 1 1/8" OD x .093" Rubber	F05011-87	1	
8	COVER, MIDDLE BLADE HOUSING	W07409	1	
9	BOLT, 1/4-20 X 3/4" HEX HEAD	F05005-1	18	
10	HINGE, MIDDLE BLADE HOUSING COVER	S07522	2	
11	NUT, 1/4-20 SELF-LOCKING HEX	F05010-9	4	
12	NUT, COVER TURN	021145	3	
13	PLATE, IDLE BLADE WHEEL GUARD	S04433	1	
14	NUT, 5/16-18 HEX NYLON LOCK	F05010-58	6	
15	BOLT, 5/16-18 X 3/4" HEX HEAD GRADE 2	F05006-5	6	

¹ Removed (1) 015734 Sawdust Exit Funnel and (7) F04203-8 1/8" x 1/8" Aluminum Pop Rivet and changed to welded funnel to improve durability (LT40Super Rev. J7.16).

4.12 Drive Belt Covers

LT40 Super

Rev. J5.03 - J7.02



REF	DESCRIPTION (◆ Indicates Parts Available In Assemblies Only)	PART #	QTY.	
1	BOLT, 1/4-20 X 3/4" HEX HEAD WITH CONICAL WASHER	F05005-134	11	
2	GUARD WELDMENT, SUPER/REMOTE LOWER DRIVE BELT	006026 ¹	1	
3	MOUNT WELDMENT, LOWER DRIVE BELT	006025	1	
4	BOLT, 1/4-20 X 1/2" HEX HEAD	F05005-15	2	
5	WASHER, 1/4" SAE FLAT	F05011-11	2	
	GUARD ASSEMBLY, DRIVE PULLEY SIDE	015155 ²	1	
6	Guard Weldment, Lower Up/Down	015654	1	
7	Guard Weldment, C-Frame Enclosure '97	015655 ²	1	◆
8	Bolt, 1/4-20 x 1/2" Hex Head	F05005-15	5	
9	Washer, 1/4" SAE Flat	F05011-11	5	
10	Washer, 1/4" Split Lock	F05011-14	4	
11	Plate, Belt Cover Enclosure	006870	1	
12	GUARD, DRIVE PULLEY TOP	W11750	1	

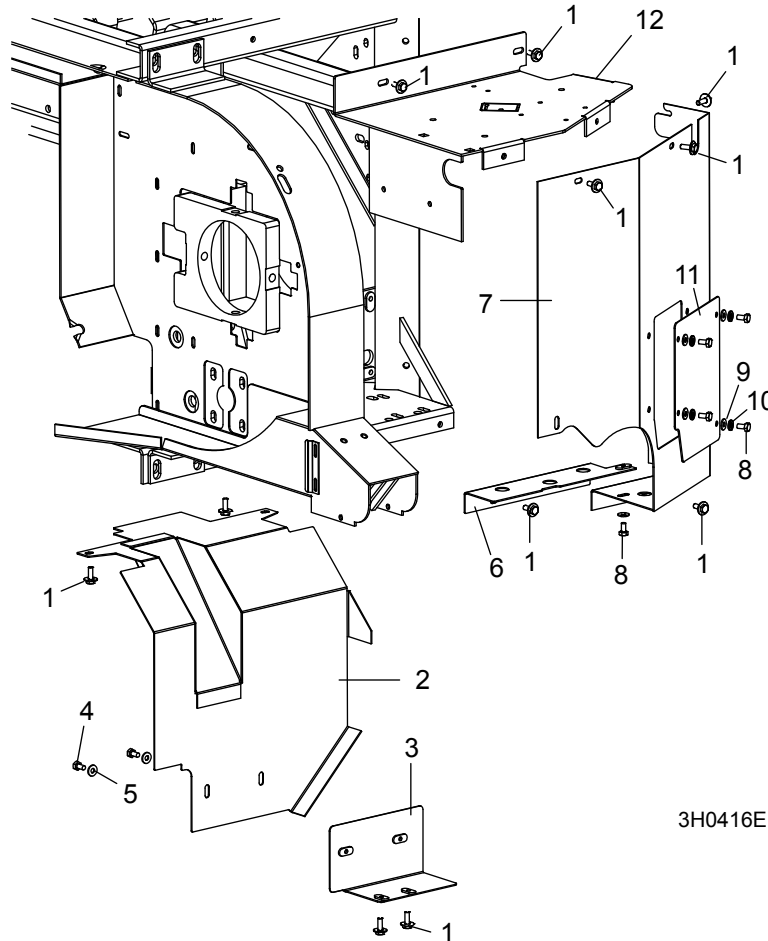
¹ For sawmills equipped with standard manual clutch handle only. See Autoclutch Option manual for alternate guards.

² Guard Assembly 015155 includes Guard Weldment 015655 modified Rev. J7.01. Cutout added to accommodate Simple Set encoder sensor. Plate 006870 added to cover cutout on sawmills without Simple Set.

4.13 Drive Belt Covers

LT30 Super
LT40 Super

Rev. J2.01 - J3.08
Rev. J3.01 - J5.02



3H0416E

REF	DESCRIPTION (◆ Indicates Parts Available In Assemblies Only)	PART #	QTY.	
1	BOLT, 1/4-20 X 3/4" HEX HEAD WITH CONICAL WASHER	F05005-134	11	
	GUARD ASSEMBLY, SUPER LOWER DRIVE BELT	015250 ¹	1	
2	Guard Weldment, Super Lower Drive Belt	015657	1	
3	Mount Weldment, Lower Drive Belt	015678	1	
4	Bolt, 1/4-20 x 1/2" Hex Head	F05005-15	2	
5	Washer, 1/4" SAE Flat	F05011-11	2	
	GUARD ASSEMBLY, DRIVE PULLEY SIDE	015155 ²	1	
6	Guard Weldment, Lower Up/Down	015654	1	
7	Guard Weldment, C-Frame Enclosure '97	015655 ²	1	
8	Bolt, 1/4-20 x 1/2" Hex Head	F05005-15	5	
9	Washer, 1/4" SAE Flat	F05011-11	5	

4 Saw Head

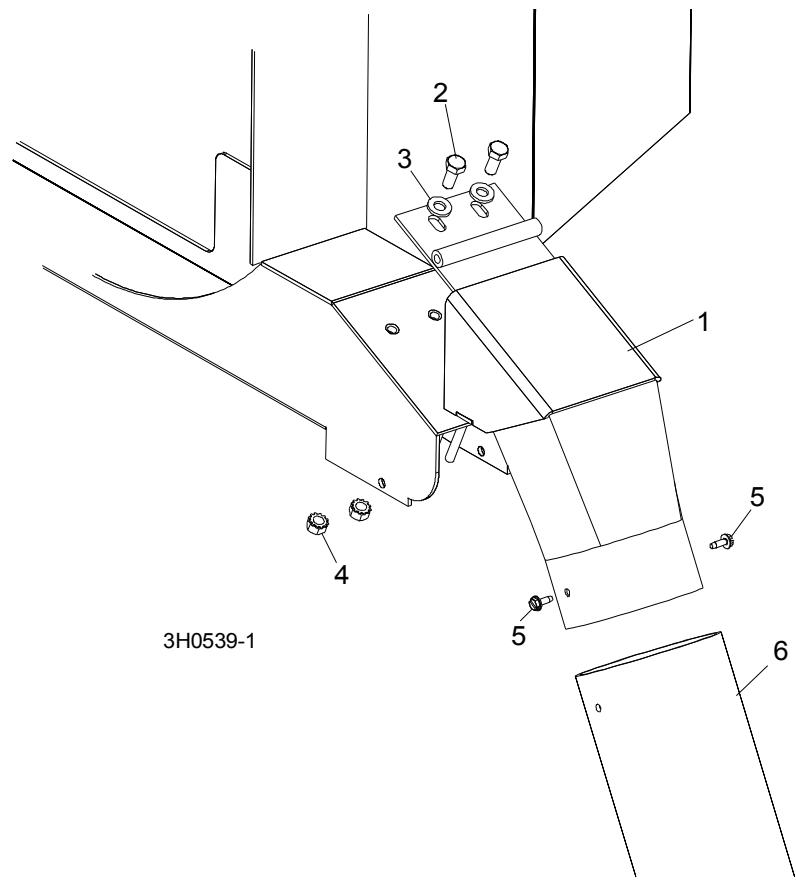
Drive Belt Covers

10	Washer, 1/4" Split Lock	F05011-14	4	
11	Plate, Belt Cover Enclosure	006870	1	
12	GUARD, DRIVE PULLEY TOP	W11750	1	

¹ For sawmills equipped with standard manual clutch handle only. See Autoclutch Option manual for alternate guards.

² Guard Assembly 015155 includes Guard Weldment 015655 modified 10/09. Cutout added to accommodate Simple Set encoder sensor. Plate 006870 added to cover cutout on sawmills without Simple Set.

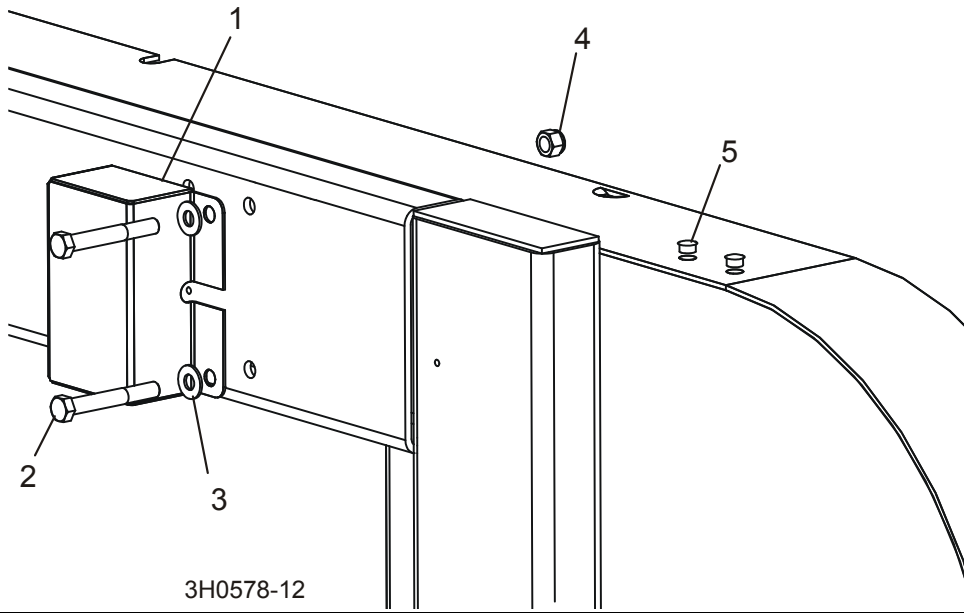
4.14 Sawdust Chute



REF	DESCRIPTION (◆ Indicates Parts Available In Assemblies Only)	PART #	QTY.
1	CHUTE WELDMENT, SAWDUST	015466	1
2	BOLT, 5/16-18 X 3/4" HEX HEAD GRADE 2	F05006-5	2
3	WASHER, 5/16" SAE FLAT	F05011-17	2
4	NUT, 5/16-18 SELF-LOCKING HEX	F05010-20	2
5	BOLT, #10-24 X 1/2" SELF-TAPPING	F05015-7	2
6	TUBING, RUBBER SAWDUST	016727	1
	STRAP, 20" RUBBER W/HOOK	P11668	1
	BOLT, 1/4-20 X 1 1/4" HEX HEAD FULL THREAD	F05005-3	1
	WASHER, 1/4" SAE FLAT	F05011-11	1
	NUT, 1/4-20 LOCK	F05010-21	1

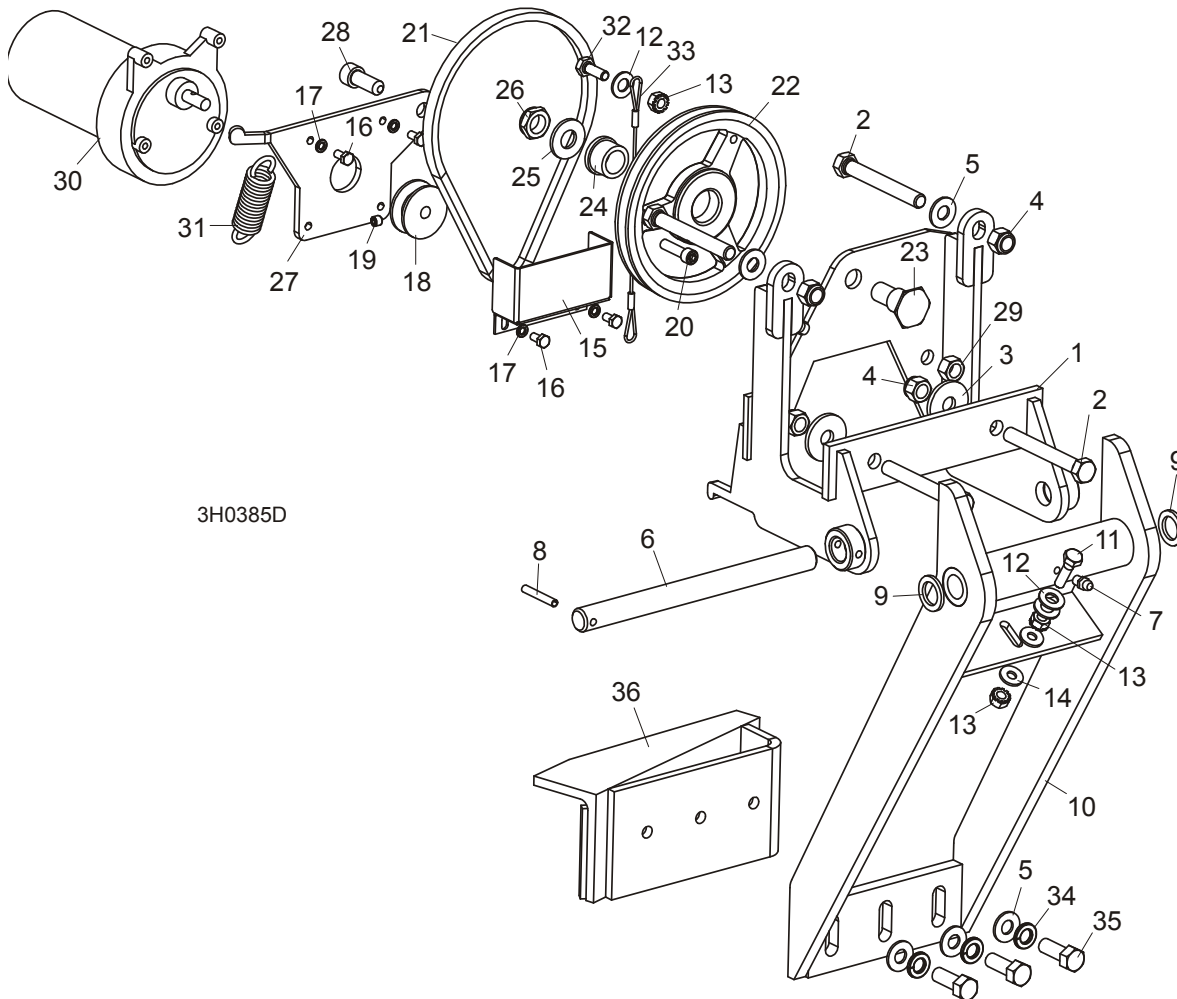
4 Saw Head
 Debarker Wire Box/Hole Plugs

4.15 Debarker Wire Box/Hole Plugs



REF	DESCRIPTION (◆ Indicates Parts Available In Assemblies Only)	PART #	QTY.
1	BOX, DEBARKER WIRE STORAGE	023616	1
2	BOLT, 3/8-16 X 2 3/4" HEX HEAD	F05007-29	2
3	WASHER, 3/8" SAE FLAT	F05011-3	2
4	NUT, 3/8-16 HEX NYLON LOCK	F05010-10	2
5	PLUG, 13/32" PLASTIC HOLE	014537	2

4.16 Board Return Assembly



REF	DESCRIPTION (◆ Indicates Parts Available In Assemblies Only)	PART #	QTY.
	RETURN ASSEMBLY, BOARD	015209	1
1	Mount Weldment, Board Return	015215	1
2	Bolt, 3/8-16 x 3" Full Thread Hex Head	F05007-1	4
3	Washer, 1/8" x 1 1/4"	015336	2
4	Nut, 3/8-16 Hex Nylon Lock	F05010-10	4
5	Washer, 3/8" Flat	F05011-3	5
6	Rod Kit, Board Return Replacement Pivot	016272	1
7	Fitting, 1/4-28 Grease	P05060	1
8	Pin, 3/16 x 1 1/4" Roll	F05012-16	1
9	Washer, 5/8" x 15/16" x .094 Nylon	F05011-19	2
10	Arm Weldment, Board Return	015210	1
11	Screw, 1/4-20 x 3/4" Full Thread Hex Head	F05005-1	1

4

Saw Head*Board Return Assembly*

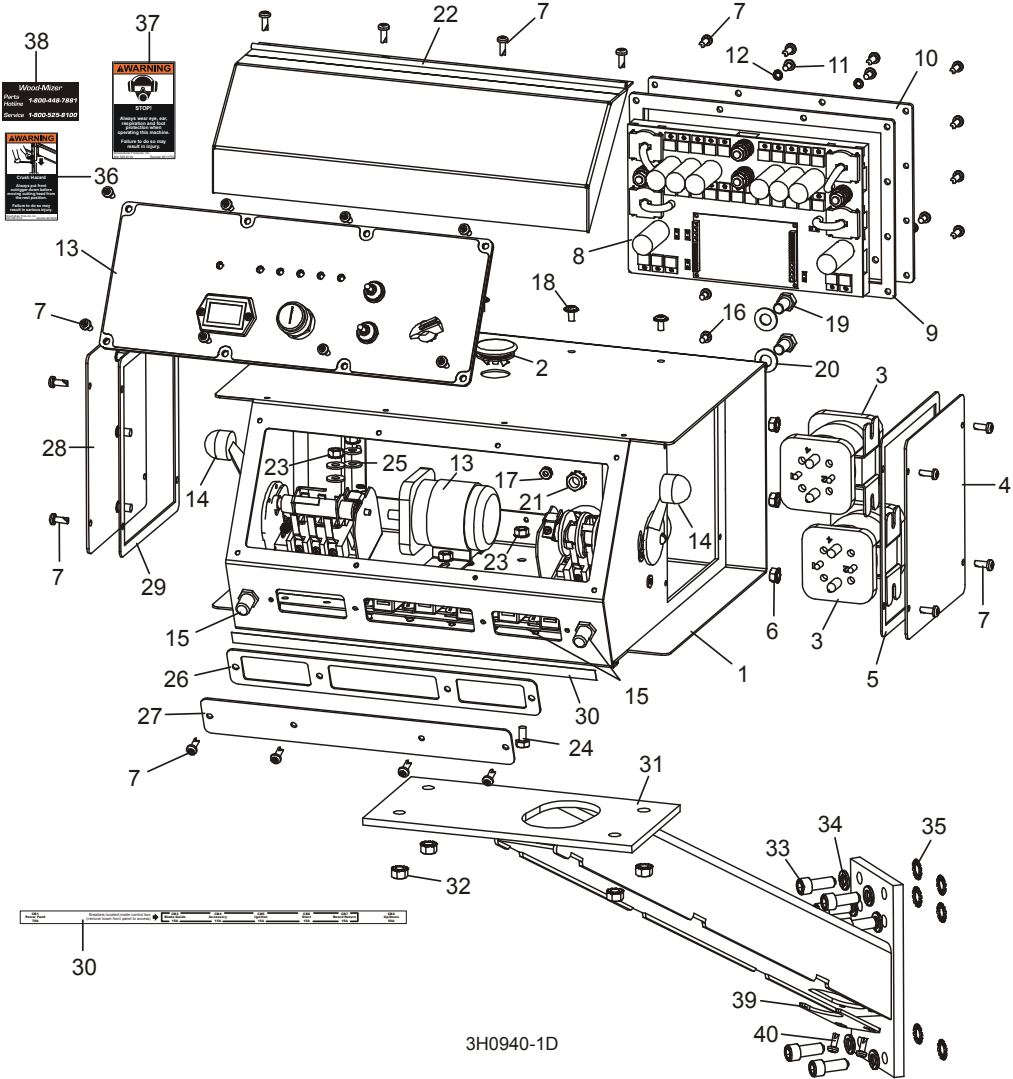
12	Washer, 5/16" SAE Flat	F05011-17	3	
13	Nut, 1/4-20 Self-Locking	F05010-9	3	
14	Washer, 1/4" SAE Flat	F05011-11	2	
15	Guard, Board Return Belt	015007	1	
16	Screw, #10-32 x 1/2" Hex Head Machine	F05004-60	4	
17	Washer, #10 Split Lock	F05011-20	4	
18	Pulley, 1.42" x .32"	015074	1	
19	Screw, 1/4-28 x 1/4" Socket Head Cup Point Set	F05005-105	1	
20	Bolt, 1/4-20 x 1" Socket Head	F05005-89	1	
21	Belt, 3L190	015477	1	
22	Pulley, OK50 x 1/2" Modified	015224	1	
23	Bolt, Idler Pulley Pivot	015221	1	
24	Bushing, 5/8" x 7/8" x 1/2" Bronze	P05135	1	
25	Washer, 1/2" SAE Flat	F05011-2	1	
26	Nut, 1/2-20 Nylon Lock Jam	F05010-79	1	
27	Plate, Motor Pivot	015220	1	
28	Bolt, 3/8-16 x 1" Socket Head	F05007-52	1	
29	Nut, 3/8-16 Self-Locking	F05010-25	1	
30	Motor, 53:1 ASA Gear	P09698-1	1	
	Housing, Klauber Motor End	P12756	1	
	Gear Kit, Klauber Motor Replacement	P12569	1	
	Brush Kit, Gear Motor Replacement	P12800	1	
	Shaft Kit, Klauber Gear Motor Replacement	009695	1	
31	Spring, 3/4" x 2 7/8" x 12 Gauge	015479	1	
32	Bolt, 1/4-20 x 1" Hex Head Grade 5	F05005-101	1	
33	Cable, Board Return	016090	1	
34	Washer, 3/8" Split	F05011-4	3	
35	Bolt, 3/8-16 x 1" Hex Head	F05007-7	3	
36	Angle, Board Return	015652	1	

SECTION 5 CONTROL & BATTERY BOXES

5.1 Control Assembly

LT30 Super
LT40 Super

Rev. J3.00 - J3.08
Rev. J4.00 - J7.02



REF	DESCRIPTION (◆ Indicates Parts Available In Assemblies Only)	PART #	QTY.
	COVER, SAWMILL CONTROL CONSOLE	015764	1
	COVER, SAWMILL CONTROL CONSOLE W/ACCUSER	036352	1

5 Control & Battery Boxes

Control Assembly

	CONTROL BOX ASSEMBLY, E25 SOFTSTART	051880	1	
	CONTROL BOX ASSEMBLY, G36 SOFTSTART	051881	1	
	CONTROL BOX ASSEMBLY, D42 SOFTSTART	051878	1	
	CONTROL BOX ASSEMBLY, D47	053275	1	
	CONTROL BOX ASSEMBLY, D51 SOFTSTART (2005)	052228 ¹	1	
	CONTROL BOX ASSEMBLY, D51 SOFTSTART	051879 ¹	1	
1	Box Weldment, Sawmill Control	047930	1	◆
2	Plug, AS075 Oiltite Painted	024250	1	
	Panel Assembly, Solenoid Up/Down	015425	1	
3	Solenoid Kit, 200A 12V DPST	016370	2	
	Solenoid, 200A 12 DPST	015417	1	◆
	Diode Assembly, Solenoid Coil Chassis GND	015426	1	
4	Panel Weldment, Side	015307	1	
5	Gasket, Side Panel Control	015274	1	
6	Nut, 1/4-20 Self Locking	F05010-9	3	
7	Screw, #10-24 x 1/2" Pan Head	F05015-17	36	
	Panel Assembly, Power Feed Control	051887 ²	1	◆
8	Control Module, Power Feed	051667	1	◆
9	Gasket, Rear Panel	047938	1	
10	Plate, Power Feed Module	047698	1	
11	Screw, #10-24 X 3/8" Phillips Pan Head	F05004-3	6	
12	Washer, #10 Split Lock	F05011-20	6	
13	Front Control Panel & Wiring Harnesses (Section 5.4)			
14	Drum Switches (Section 5.2)			
15	Circuit Breakers (Section 5.3)			
16	Screw, #10-24 x 3/8" Phillips Pan Head	F05004-3	2	
17	Nut, #10-24 Self Locking	F05010-14	2	
18	Screw, #10-24 x 3/8" Phillips Pan Head Machine with Neo Washer	F05004-148	4	
19	Bolt, 3/8-16 x 3/4" Hex Head	F05007-27	2	
20	Washer, 3/8" SAE Flat	F05011-3	2	
21	Nut, 3/8" Lock Nut	F05010-19	2	
22	Cover, Control Box Hinged	015304	1	
23	Nut, 1/4-20 Self Locking	F05010-9	6	
24	Bolt, 1/4-20 x 1/2" Hex Head	F05005-15 ³	1	
25	Washer, 1/4 SAE Flat	F05011-11	4	
26	Gasket, Front Access Panel	015266	1	
27	Panel, Control Box Front Access	015376	1	
28	Panel Weldment, Side	015307	1	
29	Gasket, Side Panel Control	015274	1	
30	Decal, Circuit Breaker ID ('98 Super)	024362	1	
31	MOUNT WELDMENT, STANDARD CONTROL BOX	015236	1	
32	NUT, 5/16-18 SELF-LOCKING HEX	F05010-20	4	
33	BOLT, 3/8-16 X 1" SOCKET HEAD	F05007-52	6	

34	WASHER, 3/8" SPLIT LOCK	F05011-4	6	
35	WASHER, 3/8" EXTERIOR STAR LOCK	F05011-36	6	
36	DECAL, FRONT OUTRIGGER WARNING	015400	1	
37	DECAL, EAR/EYE PROTECTION WARNING	S11753	1	
38	DECAL, 800 NUMBER	S12117	1	
39	PLATE, PEDESTAL COVER	036381 ⁴	1	
40	SCREW, #10-24 X 1/2" PAN HEAD	F05015-17	2	

¹ 2005 Control Box 052228 includes harness for new Caterpillar engine connectors supplied after LT30 Super Rev. J3.04 and LT40 Super Rev. J4.04. Use Control Box 051879 for previous revisions.

² Power Feed Module 051887 discontinued 12/10. If sawmill not equipped with Accuset or Accuset 2 option, use kit 069460 to retrofit power feed with dual-axis motor control module. Use kit 052972 if sawmill equipped with original Accuset to retrofit to Accuset 2. Once sawmill upgraded to Accuset 2, use kit 069459 to retrofit for dual-axis control of power feed motor. If Accuset 2 is older than Rev. B.00 with original part 052974 single-axis control module (No MOT2A or MOT2B terminal studs), a new dual-axis module 057821LS-FR is required in addition to kit 069459.

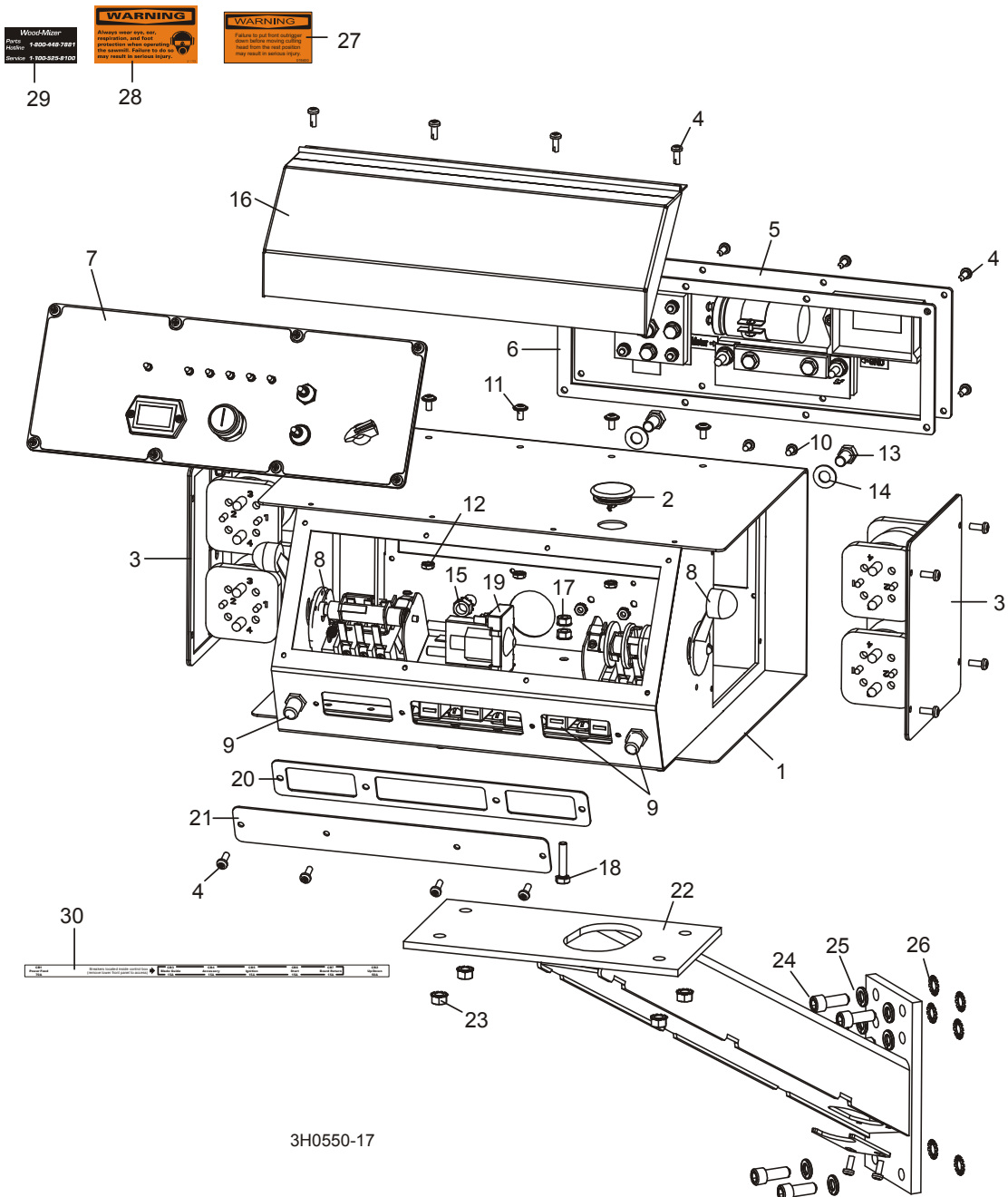
³ Unnecessary hole removed 10/04. Plug bolt F05005-15 and one F05010-9 nut no longer required.

⁴ Cover Plate 036381 added LT30 Super Rev. J3.00 and LT40 Super Rev. J4.00.

5.2 Control Assembly

LT30 Super
LT40 Super

Rev. J2.01 - J2.03
Rev. J3.01 - J3.03



3H0550-17

REF	DESCRIPTION (◆ Indicates Parts Available In Assemblies Only)	PART #	QTY.	
	COVER, SAWMILL CONTROL CONSOLE	015764	1	
	COVER, SAWMILL CONTROL CONSOLE W/ACCUSET	036352	1	
	CONTROL BOX ASSEMBLY, G36	050688	1	
	CONTROL BOX ASSEMBLY, E25	050689	1	
	CONTROL BOX ASSEMBLY, D42	050690	1	
	CONTROL BOX ASSEMBLY, D51	051410		
1	Box Weldment, Sawmill Control	016135	1	◆
2	Plug, AS075 Oiltite Painted	024250	1	
3	Solenoid Parts (See Section 5.6)			
4	Screw, #10-24 x 1/2" Pan Head	F05015-17	16	
5	Panel Assembly, Power Feed Control	024458	1	
	Control Module, Power Feed SMT	024396-1	1	
	Mosfet Module, Power Feed SMT	024387	1	
	Suppressor Assembly, Power Feed	052294 ¹	1	
	Capacitor Assembly, Power Feed Filter	051571	1	
	Diode Assembly, Power Feed Replacement	052363	1	
6	Gasket, Rear Access Panel	015278	1	
7	Front Control Panel & Wiring Harnesses (Section 5.8)			
8	Drum Switches (Section 5.3)			
9	Circuit Breakers (Section 5.5)			
10	Screw, #10-24 x 3/8" Phillips Pan Head	F05004-3	2	
11	Screw, #10-24 x 3/8" Phillips Pan Head Machine with Neo Washer	F05004-148	4	
12	Nut, #10-24 Self Locking	F05010-14	6	
13	Bolt, 3/8-16 x 3/4" Hex Head	F05007-27	2	
14	Washer, 3/8" SAE Flat	F05011-3	2	
15	Nut, 3/8" Lock Nut	F05010-19	2	
16	Cover, Control Box Hinged	015304	1	
17	Nut, 1/4-20 Self Locking	F05010-9	2	
18	Bolt, 1/4-20 x 1 1/2" Hex Head	F05005-5	1	
19	Solenoid Kit, Accessory	016372 ²	1	
	Solenoid, 100A 12V Cont. Duty GND	P10449	1	◆
	Diode Assembly, Solenoid Coil Chassis GND	015426	1	
	Wire Assembly, Accessory Solenoid w/Resistor	024260	1	
20	Gasket, Front Access Panel	015266	1	
21	Panel, Control Box Front Access	015376	1	
22	MOUNT WELDMENT, STANDARD CONTROL BOX	015236	1	
23	NUT, 5/16-18 SELF-LOCKING HEX	F05010-20	4	
24	BOLT, 3/8-16 X 1" SOCKET HEAD	F05007-52	4	
25	WASHER, 3/8" SPLIT LOCK	F05011-4	4	
26	WASHER, 3/8" EXTERIOR STAR LOCK	F05011-36	4	
27	DECAL, FRONT OUTRIGGER WARNING	015400	1	
28	DECAL, EAR/EYE PROTECTION WARNING	S11753	1	

5 Control & Battery Boxes

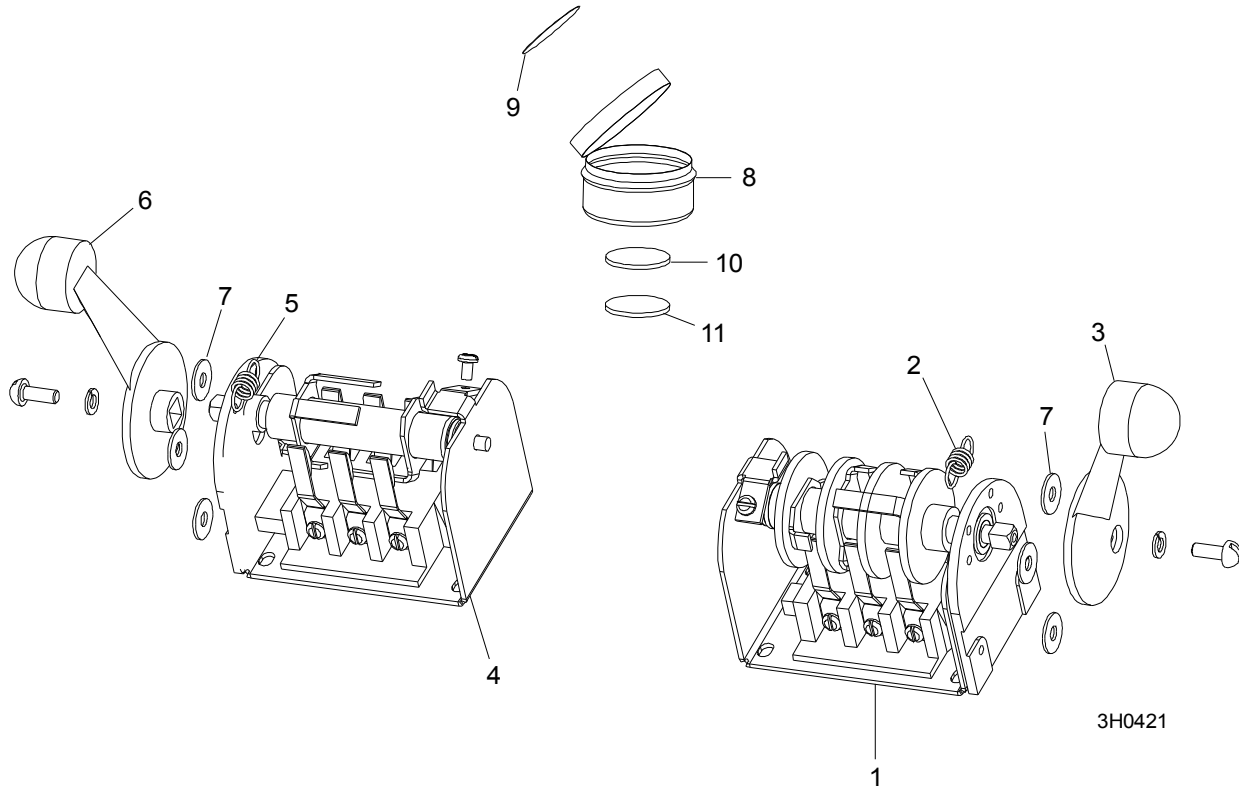
Control Assembly

29	DECAL, 800 NUMBER	S12117	1	
30	DECAL, CIRCUIT BREAKER ID ('98 SUPER)	024362	1	

¹ Suppressor Assembly 052294 added 6/05 to protect feed circuit.

² Diode Wire Assembly 015426 added to Solenoid Kit 016372 (8/04).

5.3 Drum Switches

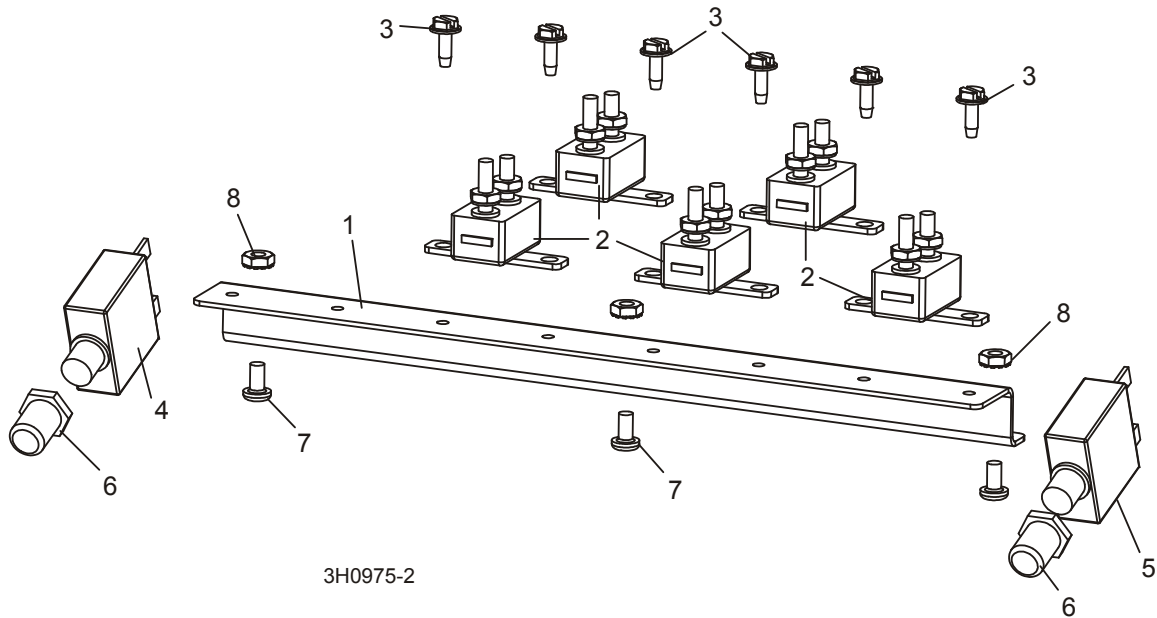


REF	DESCRIPTION (◆ Indicates Parts Available In Assemblies Only)	PART #	QTY.	
	SWITCH ASSEMBLY, UP/DOWN DRUM	E20440	1	
1	Switch, S12 Bulk Drum	E20440-B	1	◆
2	Spring, Drum Switch	P12570	1	
3	Handle, Drum Switch Replacement	P12500	1	
	SWITCH ASSEMBLY, POWER FEED DRUM	E20439	1	
4	Switch, S11 Bulk Drum	E20439-B	1	◆
5	Spring, Drum Switch	P12570	1	
6	Handle, Drum Switch Replacement	P12500	1	
7	WASHER, #8 SAE FLAT	F05011-41	6	
	CUP ASSEMBLY, DRUM SWITCH GREASE	A20463	1	
8	Cup, Plastic Container	P20464	1	◆
9	Decal, Grease Cup Label	P20467	1	
10	Pad, Velcro Loop	P20466	1	◆
11	Pad, Velcro Hook	P20465	1	◆
	Grease, High Temp Drum Switch	P20468	.025 Lb	◆

5.4 Circuit Breakers

LT40 Super

Rev. J5.00 - J7.02

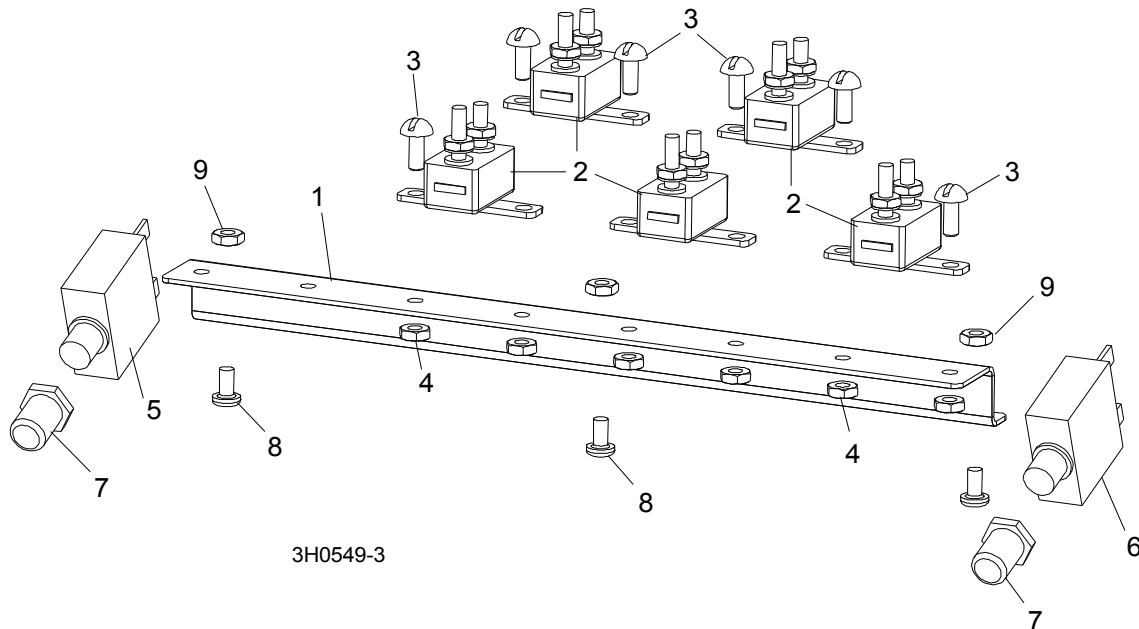


REF	DESCRIPTION (◆ Indicates Parts Available In Assemblies Only)	PART #	QTY.
	BREAKER ASSEMBLY, SAWMILL CONTROL CIRCUIT (DC)	015621	1
1	Rail, Circuit Breaker	052826	1
2	Breaker, 15 Amp Manual Reset	E20430	5
3	Screw, #10-24 x 1/2" Self-Tapping	F05015-7	6
4	BREAKER, 70 AMP MANUAL RESET PANEL MOUNT	015527	1
5	BREAKER, 50 AMP MANUAL RESET PANEL MOUNT	021256	1
6	BOOT, CIRCUIT BREAKER	021253	2
7	SCREW, #10-24 X 3/8" PHILLIPS PAN HEAD	F05004-3	3
8	NUT, #10-24 SELF LOCKING	F05010-14	3
	BREAKER, 30A MANUAL RESET PANEL MOUNT (D47/D51 ONLY)	024246	1

5.5 Circuit Breakers

LT30 Super
LT40 Super

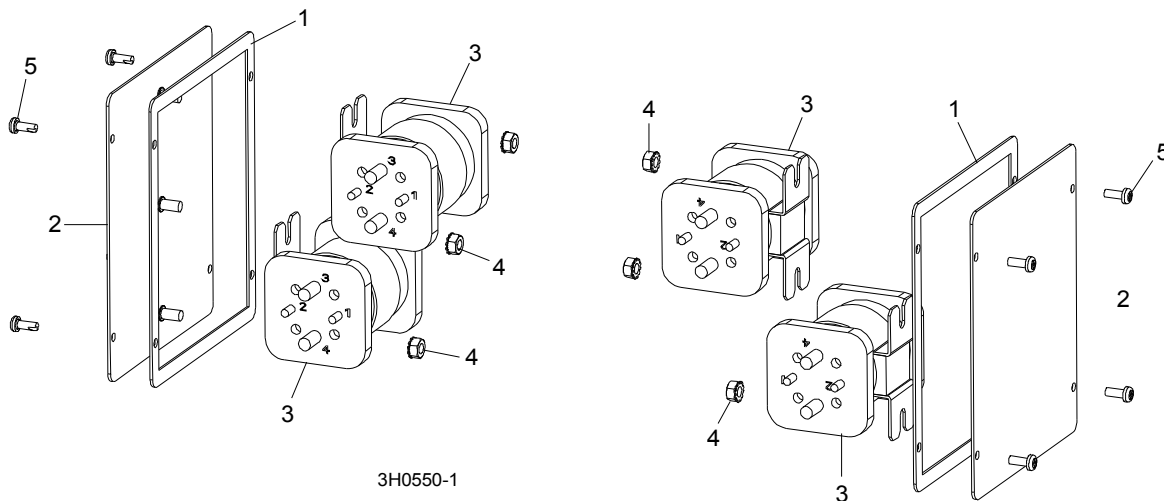
Rev. J2.01 - J3.08
Rev. J3.01 - J4.09



REF	DESCRIPTION (◆ Indicates Parts Available In Assemblies Only)	PART #	QTY.
	BREAKER ASSEMBLY, SAWMILL CONTROL CIRCUIT (DC)	015621 ¹	1
1	Rail, Circuit Breaker	015310	1
2	Breaker, 15 Amp Manual Reset	E20430	5
3	Screw, #8-32 X 1/2" Slotted Head	F05004-12	6
4	Nut, #8-32 Hex Self-Locking	F05010-41	6
5	BREAKER, 70 AMP MANUAL RESET PANEL MOUNT	015527	1
6	BREAKER, 50 AMP MANUAL RESET PANEL MOUNT	021256	1
7	BOOT, CIRCUIT BREAKER	021253	2
8	SCREW, #10-24 X 3/8" PHILLIPS PAN HEAD	F05004-3	3
9	NUT, #10-24 SELF LOCKING	F05010-14	3
	BREAKER, 30A MANUAL RESET PANEL MOUNT (D51 ONLY)	024246	1

¹ Circuit Breaker Assembly modified 12/06. New rail 052826 used to accept self-tapping screws ([See Section 5.5](#)).

5.6 Solenoid Assemblies



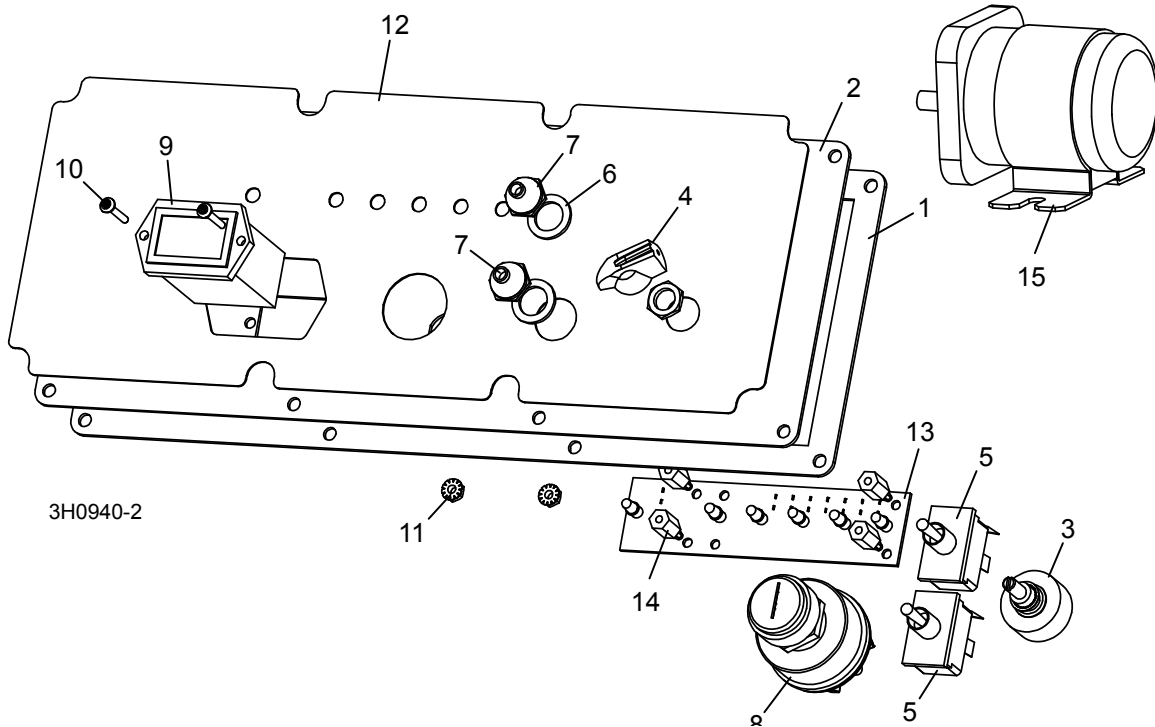
REF	DESCRIPTION (◆ Indicates Parts Available In Assemblies Only)	PART #	QTY.	
1	GASKET, SIDE PANEL CONTROL	015274	2	
2	PANEL WELDMENT, SIDE	015307	2	
3	SOLENOID KIT, 200A 12V DPST	016370 ¹	4	
	Solenoid, 200A 12 DPST	015417	1	◆
	Diode Assembly, Solenoid Coil Chassis GND	015426	1	
4	NUT, 1/4-20 SELF LOCKING	F05010-9	6	
5	SCREW, #10-24 X 1/2" PAN HEAD	F05015-17	8	

¹ Diode Wire Assembly 015426 added to Solenoid Kit 016372 (LT30 Super Rev. J2.03 and LT40 Super Rev. J3.03).

5.7 Front Panel Assembly & Harnesses

LT30 Super
LT40 Super

Rev. J3.00 - J3.08
Rev. J4.00 - J7.02



REF	DESCRIPTION (◆ Indicates Parts Available In Assemblies Only)	PART #	QTY.
	PANEL ASSEMBLY, CONTROL FRONT E25	051875	1
	PANEL ASSEMBLY, CONTROL FRONT (D42/D47/D51/G36)	051876	1
1	Gasket, Front Panel	015270	1
2	Panel Weldment, Control	015302	1
3	Switch Assembly, Feed Rate	024450-1	1
4	Knob, Feed Rate With Set Screw	P06257	1
5	Switch, Toggle	024200	2
6	Boot, Toggle Switch Rubber	P02575	1
7	Washer, 12 x 3/4 x 1/16 Nylon	P05251-1	1
8	Switch, Key	P04350	1
9	Meter, Hour	015401	1
10	Screw, 6-42 x 3/4" Socket Button Head Cap Stainless Steel	F05004-93	2
11	Nut, 6-32 Self Locking	F05010-59	2
12	Decal, Control Panel (E25)	015271	1
	Decal, Control Panel (Gas/Diesel)	015269	1
13	Board, LED Circuit (E25)	015416	1
	Board, LED Circuit (Gas/Diesel)	015409	1
14	Spacer, 1/2"-#6 Threaded	023147	4

5 Control & Battery Boxes

Front Panel Assembly & Harnesses

15	Solenoid Kit, 200A 12V SPST Cont. Duty	016371	1	
	Solenoid, 200A 12V SPST Cont. Duty	015470	1	◆
	Diode Assembly, Solenoid Coil Chassis Gnd	015426	1	
	Fuse Assembly, 2004 ATO w/Holder	051871	1	
	Fuse, 4A ATO Blade Pink	024150-4 ¹	1	
	HARNESS ASSEMBLY, UPPER WIRING (E25)	051964	1	
	HARNESS ASSEMBLY, UPPER WIRING (G36)	051965	1	
	HARNESS ASSEMBLY, UPPER WIRING (D42)	051962	1	
	HARNESS ASSEMBLY, UPPER WIRING (D47)	053277	1	
	HARNESS ASSEMBLY, UPPER WIRING (D51 2005)	052227 ²	1	
	HARNESS ASSEMBLY, UPPER WIRING (D51)	051963 ²	1	
	Conduit, 1 1/4" x 58" Flex	050399	1	
	Connector, 1 1/4" Straight Male Metal Conduit	024402	1	
	HARNESS ASSEMBLY, LOWER WIRING	051872	1	
	Conduit, 1/2" Expandable Black	R02374	41 in.	
	Conduit, 1/2" Expandable Black	R02374	42 in.	

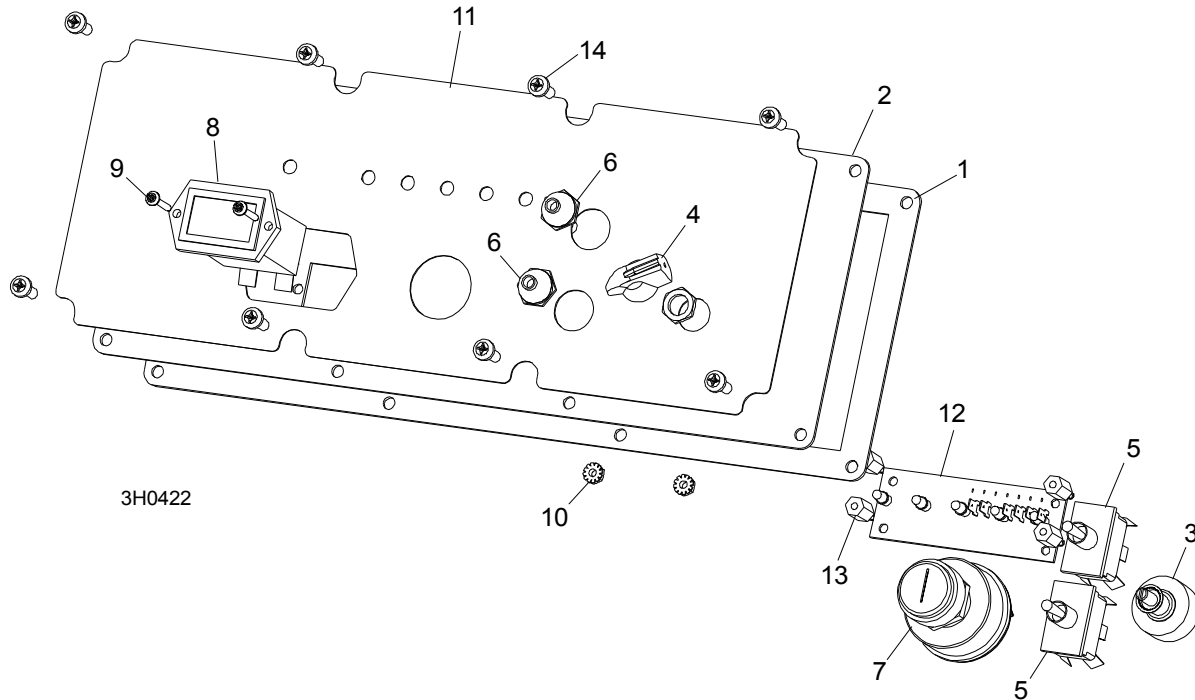
¹ 4A fuse 024150-4 replaces 2A fuse 024150-2 to eliminate nuisance tripping (11/07).

² 2005 Harness 052227 for new Caterpillar engine connectors supplied after LT30 Super Rev. J3.04 and LT40 Super Rev. J4.04. Use Harness 051963 for previous revisions.

5.8 Front Panel Assembly & Harnesses

LT30 Super
LT40 Super

Rev. J2.01 - J2.03
Rev. J3.01 - J3.03



REF	DESCRIPTION (◆ Indicates Parts Available In Assemblies Only)	PART #	QTY.
	PANEL ASSEMBLY, CONTROL FRONT (E25)	024209	1
	PANEL ASSEMBLY, CONTROL FRONT (D42/D51/G36)	024208	1
1	Gasket, Front Panel	015270	1
2	Panel Weldment, Control	015302	1
3	Switch Assembly, Feed Rate	024450-1	1
4	Knob, Feed Rate With Set Screw	P06257	1
5	Switch, Toggle	024200	2
6	Boot, Toggle Switch Rubber	P02575	2
7	Switch, Key	P04350	1
8	Meter, Hour	015401	1
9	Screw, 6-42 x 3/4" Socket Button Head Cap Stainless Steel	F05004-93	2
10	Nut, 6-32 Self Locking	F05010-59	2
11	Decal, Control Panel (E25)	015271	1
	Decal, Control Panel (D42//D51)	015269	1
12	Board, LED Circuit (E25)	015416	1
	Board, LED Circuit (D42//D51)	015409	1
13	Spacer, 1/2"-#6 Threaded	023147	4

5 Control & Battery Boxes

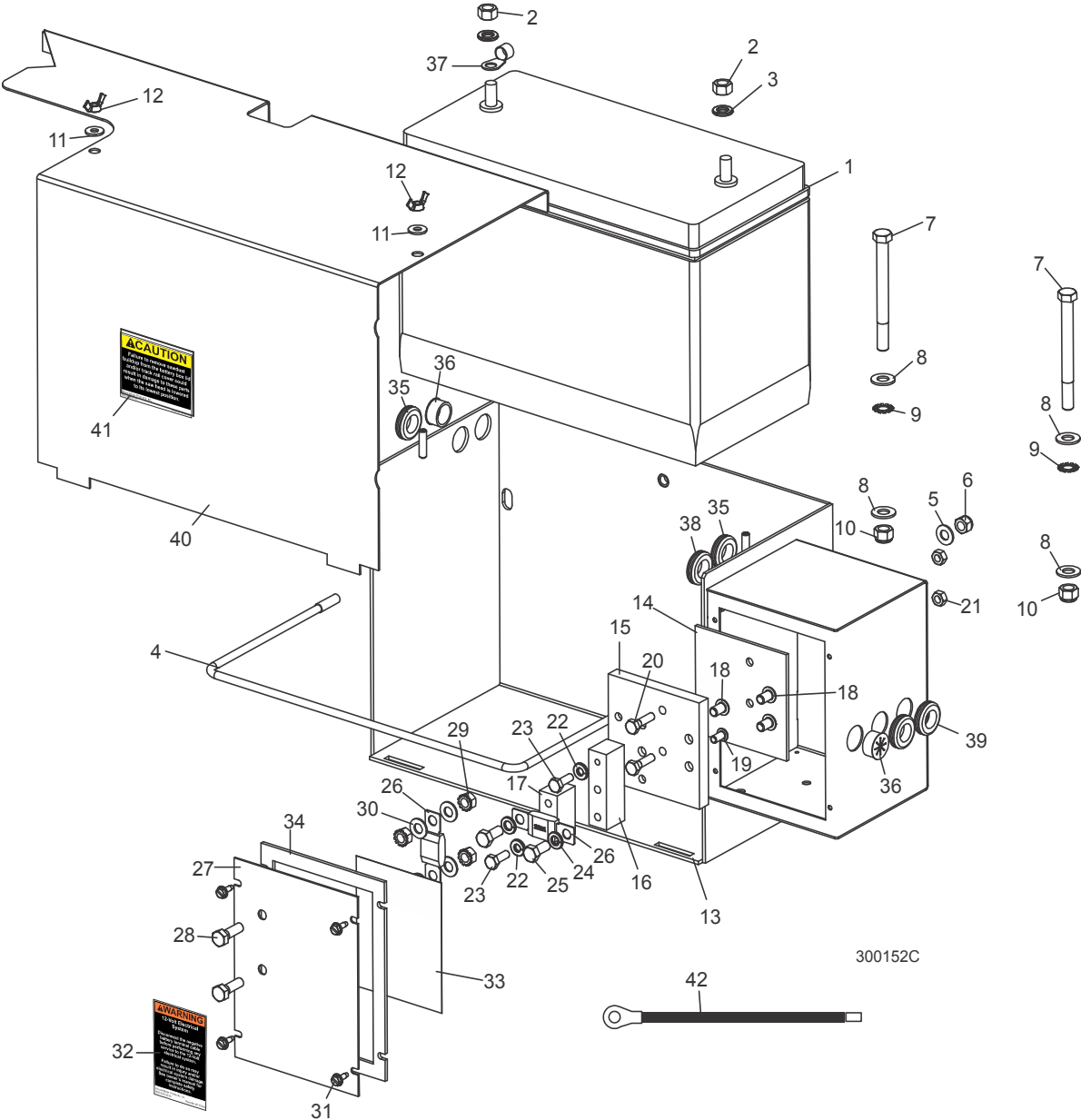
Front Panel Assembly & Harnesses

14	Screw, #10-24 x 1/2" Pan Head	F05015-17	8	
	HARNESS ASSEMBLY, UPPER WIRING (G36)	024887	1	
	HARNESS ASSEMBLY, UPPER WIRING (E25)	024483	1	
	HARNESS ASSEMBLY, UPPER WIRING (D42)	024600	1	
	HARNESS ASSEMBLY, UPPER WIRING (D51)	051409	1	
	Conduit, 1 1/4" x 58" Flex	050399	1	
	Connector, 1 1/4" Straight Male Metal Conduit	024402	1	
	HARNESS ASSEMBLY, LOWER WIRING	050680	1	
	Conduit, 1/2" Expandable Black	R02374	41 in.	
	Conduit, 1/2" Expandable Black	R02374	42 in.	

5.9 Battery Box Assembly

LT40 Super

Rev. J7.00 - J7.02



REF	DESCRIPTION (◆ Indicates Parts Available In Assemblies Only)	PART NUMBER	QTY.	◆
1	BATTERY, 12 VOLT 8A31DTM AGM	025841 ¹	1	◆
	BOX ASSEMBLY, LT30/LT40 SUPER BATTERY	015476 ²	1	
2	Nut, 3/8-16 Hex	F05010-1	2	
3	Washer, 3/8" Split Lock	F05011-4	2	
4	Retainer Loop, Battery	015194	1	

5 Control & Battery Boxes

Battery Box Assembly

5	Washer, 5/16" SAE Flat	F05011-17	2	
6	Nut, 5/16-18 Hex Nylon Lock	F05010-58	2	
7	Bolt, 3/8-16 X 4" Hex Head Grade 2	F05007-4	2	
8	Washer, 3/8" SAE Flat	F05011-3	4	
9	Washer, 3/8" External Star	F05011-36	2	
10	Nut, 3/8" Hex Nylon Lock	F05010-10	2	
11	Washer, 1/4" SAE Flat	F05011-11	2	
12	Nut, 1/4-20 Wing	F05010-13	2	
13	Box Weldment, Battery	015191	1	
	Block Assembly, Single Fuse	006850	1	
14	Plate, Fuse Block Insulator	056999	1	
15	Block, Fuse Mount	056997	1	◆
16	Block, 3/4" Upper Fuse	056996	1	
17	Block, 3/4" Lower Fuse	056998	1	
18	Screw, 5/16-18 x 1/2" Socket Button Head	F05006-20	3	
19	Screw, 1/4-20 x 1/2" Socket Button Head	F05005-59	1	
20	Bolt, 1/4-20 x 1" Hex Head Grade 5	F05005-101	2	
21	Nut, 1/4-20 Hex Lock	F05010-21	2	
22	Washer, 1/4" Split Lock	F05011-14	2	
23	Bolt, 1/4-20 x 3/4" Hex Head Grade 5	F05005-123	2	
24	Washer, 5/16" Split Lock	F05011-13	2	
25	Bolt, 5/16-18 x 3/4" Hex head Grade 5	F05006-102	2	
26	Fuse, 225A 32V Mega	053339	2	
	Plate Assembly, Fuse Box Cover	006854	1	
27	Cover, Fuse Box	006851	1	
28	Bolt, 5/16-18 x 1" Hex Head	F05006-1	2	
29	Nut, 5/16-18 Hex Self-Locking	F05010-20	4	
30	Washer, 5/16" SAE Flat	F05011-17	4	
31	Screw, #10-24 X 1/2" Self-Tapping	F05015-7	4	
32	Decal, 12 Volt Warning	P10364	1	
33	Decal, 225A Mega Fuse Link ID	006866	1	
34	Gasket, Fuse Box Cover	050283	1	
35	Grommet, 5/8" Rubber Wire	P11764	2	
36	Grommet, 5/8" Wire	P04137	2	
37	Terminal, 3/8 1-2 Ga Ring NI Loose	F05092-28	2	
38	Grommet, 3/4" ID 11 Gauge Thickness	074198	1	
39	Grommet, 3/4" ID 16 Gauge Thickness	074199	2	
40	LID WELDMENT, BATTERY BOX SUPER	015771	1	
41	DECAL, BATTERY BOX LID CAUTION	014774	1	
42	CABLE ASSEMBLY, 1 GA X 12" FUSE TO BATTERY POSITIVE	036308	1	

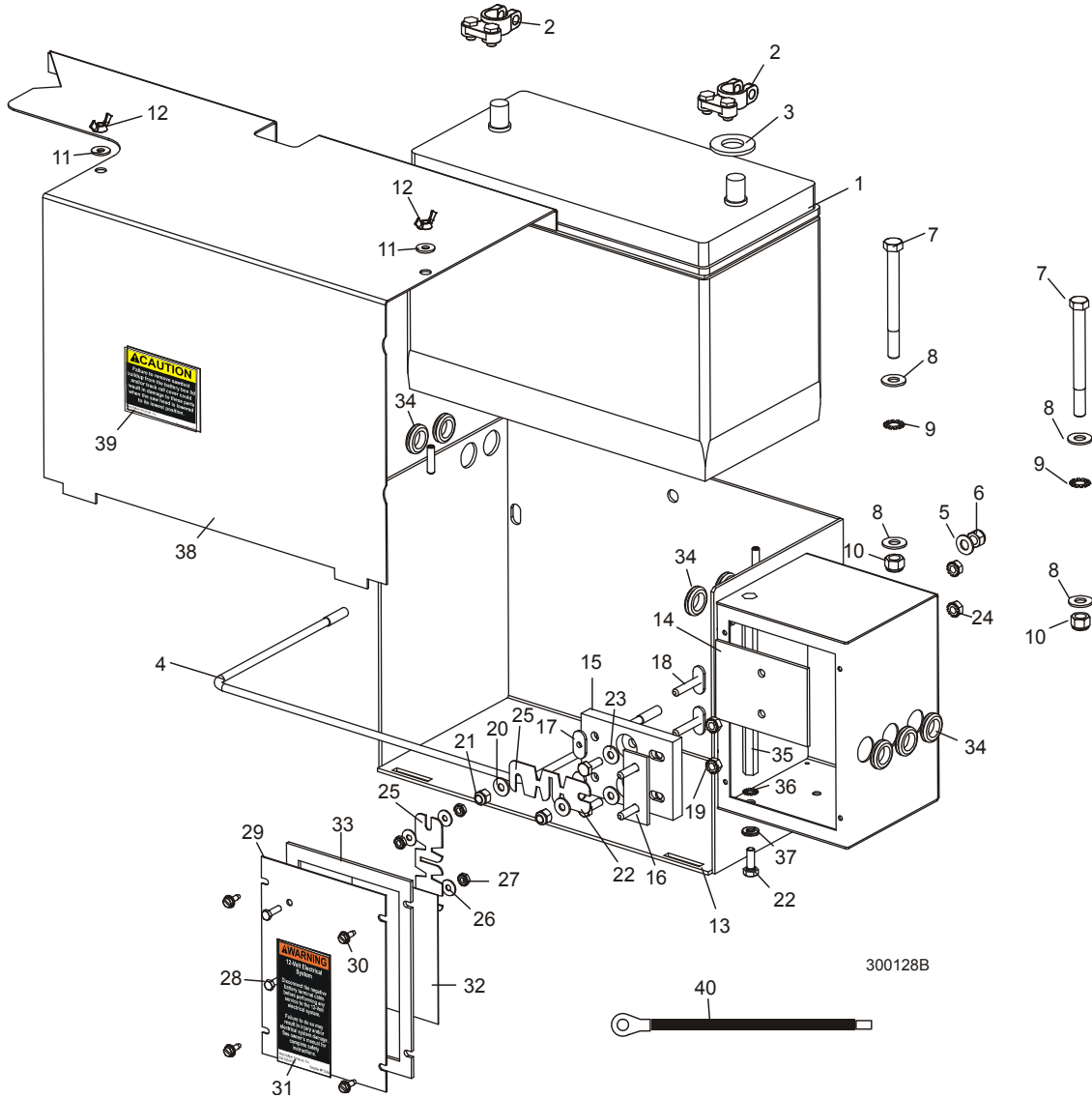
¹ Replaces 12 Volt Battery (015475) supplied prior to Rev. J7.09. 12 Volt Battery (015475) changed to be equipped with one threaded stud (5/11).

² Battery terminals (P05085), washer (P12161), 1/4" exterior star washer (F05011-37) and 1/4-20 hex self-locking nut (F05010-9) replaced with ring terminals and fasteners for batteries with threaded studs (5/11).

5.10 Battery Box Assembly

LT30 Super
LT40 Super

Rev. J2.01 - J3.08
Rev. J3.01 - J6.00



REF	DESCRIPTION (◆ Indicates Parts Available In Assemblies Only)	PART NUMBER	QTY.	
1	BATTERY, 12 VOLT ¹	015475	1	◆
	BOX ASSEMBLY, LT30/LT40 SUPER BATTERY	015476 ²	1	
2	Terminal, Battery	P05085	2	
3	Washer, Battery Terminal	P12161	1	
4	Retainer Loop, Battery	015194	1	

5 Control & Battery Boxes

Battery Box Assembly

5	Washer, 5/16" SAE Flat	F05011-17	2	
6	Nut, 5/16-18 Hex Nylon Lock	F05010-58	2	
7	Bolt, 3/8-16 X 4" Hex Head Grade 2	F05007-4	2	
8	Washer, 3/8" SAE Flat	F05011-3	2	
9	Washer, 3/8" External Star	F05011-36	2	
10	Nut, 3/8" Hex Nylon Lock	F05010-10	2	
11	Washer, 1/4" SAE Flat	F05011-11	2	
12	Nut, 1/4-20 Wing	F05010-13	2	
13	Box Weldment, Battery	015191	1	
14	Pad, Fuse Box Insulator	015287	1	
	Fuse Block Assembly	017665 ²	1	
15	Block, Fuse Mount	017664	1	◆
16	Post Weldment, Fuse Mount	017663	1	
17	Nut, 1/4-20 Cadmium Plated Weld	S12392	2	
18	Stud Weldment, 1/4-20 Fuse	W12389	2	
19	Nut, 1/4-20 Self-Locking Hex	F05010-9	2	
20	Washer, 1/4" SAE Flat	F05011-11	2	
21	Nut, 1/4-20 Hex Lock	F05010-21 ³	2	
22	Bolt, 1/4-20 X 3/4" Hex Head Full Thread	F05005-1	3	
23	Washer, 1/4" SAE Flat	F05011-11	2	
24	Nut, 1/4-20 Hex Self-Locking	F05010-9	2	
25	Fuse Link, 12 Volt 225 Amp	P11550 ⁴	2	
26	Washer, #10 SAE Flat	F05011-18	4	
27	Nut, #10-24 Hex Self-Locking	F05010-14	4	
28	Screw, #10-24 x 5/8" Hex Head	F05004-18	2	
29	Cover, Fuse Box	015282	1	
30	Screw, #10-24 X 1/2" Self-Tapping	F05015-7	4	
31	Decal, 12 Volt Warning	P10364	1	
32	Decal, Fuse Link 225A I.D.	015369 ⁵	1	
33	Gasket, Fuse Box Cover	050283	1	
34	Grommet, 5/8" Rubber Wire	P11764	5	
35	Terminal, Extended Hex Stud	015517	1	
36	Washer, 1/4" Exterior Star	F05011-37	1	
37	Washer, 1/4" Split Lock	F05011-14	1	
38	LID WELDMENT, BATTERY BOX SUPER	015771	1	
39	DECAL, BATTERY BOX LID CAUTION	014774	1	
40	CABLE ASSEMBLY, 1 GA X 12" 150A FUSE TO BATTERY POSITIVE	036308	1	

¹ Battery changed from Deka 1231PMF to Trojan C31-1000 LT30 Super Rev. J3.03 & LT40 Super Rev. J4.03. Battery changed back to Deka 1131XPMF due to discontinuation of Trojan battery.

² Battery Box Assembly 015476 modified to include new fuse block and mega fuse LT40 Super Rev. J7.00 ([See Section 5.9](#)). Use kit 006906 to retrofit (requires one 225A Mega-Fuse 053339 sold separately). If sawmill equipped with optional hydraulic log loader, one additional 225A Mega-Fuse 053339 also required.

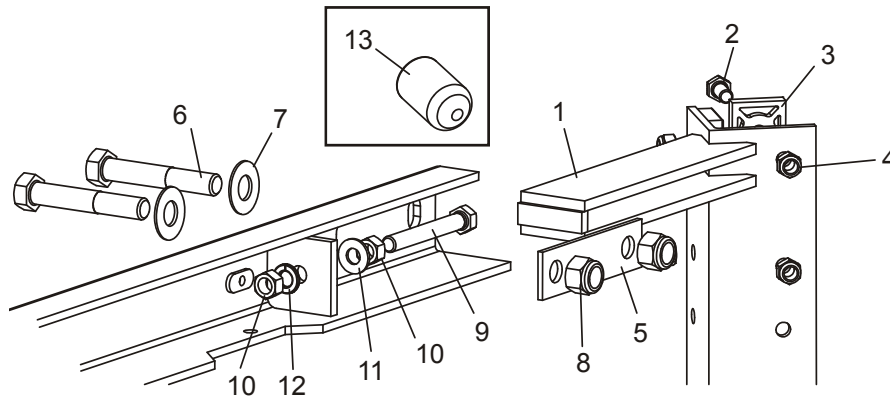
³ Swaged lock nut F05010-21 replaces Nylon Lock Nut F05010-69 originally supplied prior to 7/08. Heat from the fuses can cause the nylon to melt and the nut to come loose. Nuts and washers added to fuse block kit 017665 11/08.

⁴ [See Section 10.5](#) for alternate fuse/decal parts if sawmill equipped with optional hydraulic log loader.

⁵ Replaces 017681 supplied before 5/04. 015369 better reflects fuse configuration. [See Section 10.5](#) for alternate fuse/decal parts if sawmill equipped with optional hydraulic log loader.

SECTION 6 UP/DOWN SYSTEM

6.1 Saw Head Mount



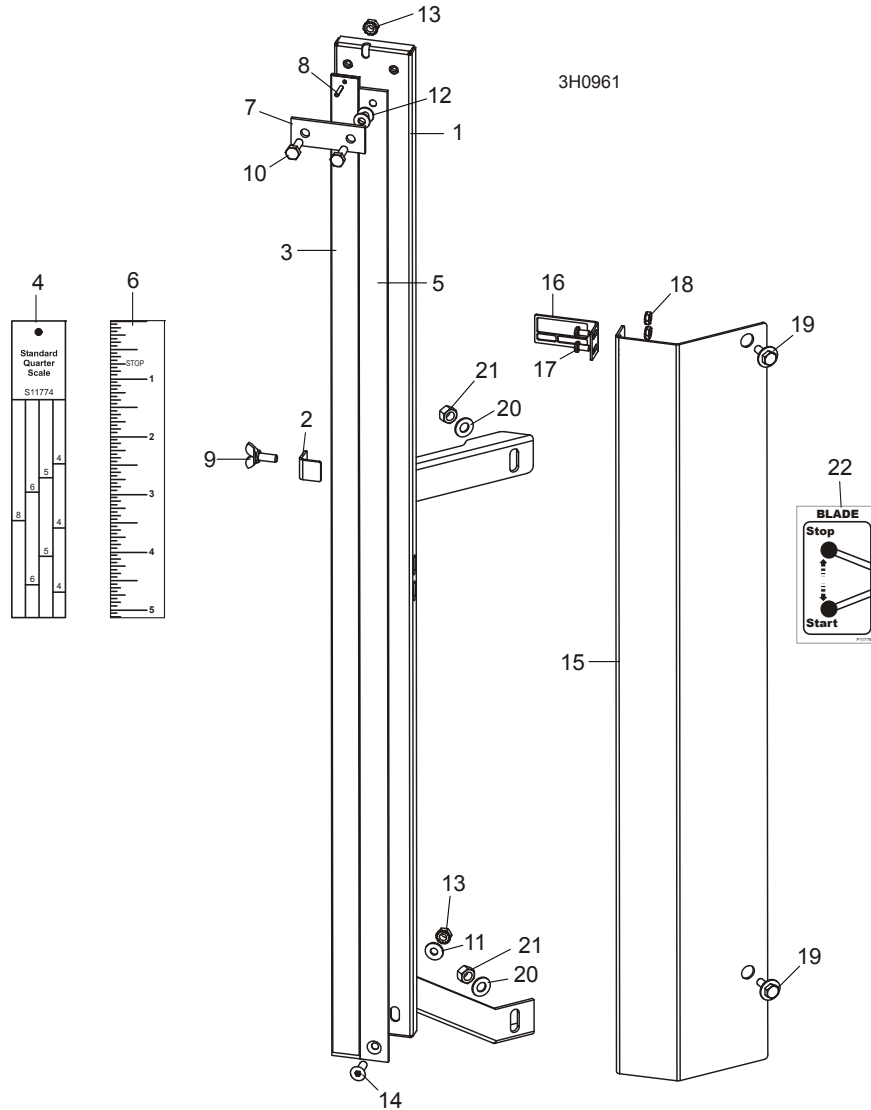
SM0080D

REF	DESCRIPTION (◆ Indicates Parts Available In Assemblies Only)	PART #	QTY.
1	V-BRACE, SAW HEAD MOUNT	W04099	1
2	BOLT, 5/16-18 X 3/4" HEX HEAD GRADE 5	F05006-5	12
	BOLT, 5/16-18 X 1 1/4 HEX HEAD FULL THREAD GRADE 5	F05006-93	4
3	PAD, PLASTIC SLIDE	M04096	6
	PAD, PLASTIC SLIDE LOWER W/CHAMFER	016241	2
4	NUT, 5/16-18 NYLON LOCK	F05010-58	16
5	PLATE, V-BRACE WASHER	S07935	2
6	BOLT, 1/2-13 X 3 1/2" HEX HEAD GRADE 5	F05008-61	4
7	WASHER, 1/2" SAE FLAT	F05011-2	4
8	NUT, 1/2-13 NYLON LOCK	F05010-8	4
9	BOLT, 3/8-16 X 2" FULL THREAD	F05007-17	2
10	NUT, 3/8-16 HEX	F05010-1	4
11	WASHER, 3/8" SAE FLAT	F05011-3	2
12	WASHER, 3/8" SPLIT LOCK	F05011-4	2
13	CAP, .281" X 1/2" BLACK VINYL	017715	3

6.2 Blade Height & Quarter Scales

LT30 Super
LT40 Super

Rev. J3.07 - J3.08
Rev. J4.08 - J7.02



REF	DESCRIPTION (◆ Indicates Parts Available In Assemblies Only)	PART #	QTY.	
	SCALE RETROFIT, FIXED WITH POINTER	A12030	1	
	Scale Kit, Fixed With Pointer	K11998	1	◆
	Scale Assembly, Fixed	A12022	1	◆
1	Bracket, Scale Mounting	W11996	1	
2	Plate, Movable Scale Stop	036666	1	
3	Scale, 35" Quarter	S11989	1	
4	Decal, 35" Standard Quarter Scale	S11774	1	
	Decal, 35" Grade Hardwood Quarter Scale	P12819	1	

6

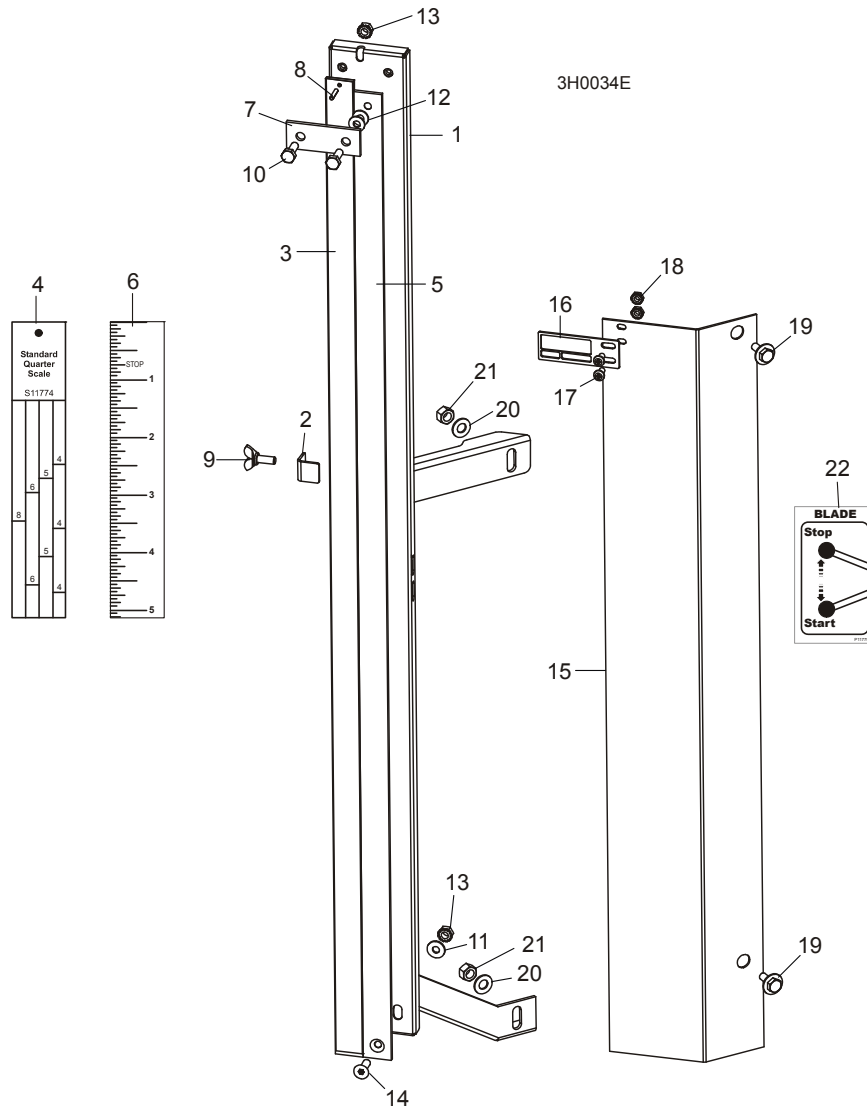
Saw Head Mount & Scales*Blade Height & Quarter Scales*

5	Scale, 35" Inch	S11988	1	
6	Decal, 35" Inch	S11773	1	
7	Strap, Scale Hold-Down	S04805	1	
8	Pin, 1/8" X 5/8" Roll	F05012-14	1	
9	Screw, 1/4-20 X 5/8" Wing	F05005-64	1	
10	Bolt, 1/4-20 x 1/2" Hex Head	F05005-1	2	
11	Washer, 1/4" SAE Flat	F05011-11	1	
12	Washer, 1/4" X .020 Thick Nylon Flat	F05011-22	2	
13	Nut, 1/4-20 Hex Self-Locking	F05010-9	2	
14	Screw, 1/4-20 X 3/4" Flat Socket Head	F05005-70	1	
	Pointer Assembly, Fixed Scale	038591	1	
15	Bracket, Fixed Scale Pointer Mount	038586	1	
16	Pointer, Fixed Scale	038585	1	
17	Screw, #10-24 X 3/8" Phillips Head	F05004-3	2	
18	Nut, #10-24 Hex Self-Locking	F05010-14	2	
19	Bolt, 1/4-20 x 3/4" with Conical Washer	F05005-134	2	
20	Washer, 5/16" SAE Flat	F05011-17	2	
21	Nut, 5/16-18 Hex Lock	F05010-6	2	
	Bolt, 1/4-20 X 1/2" Hex Head Grade 2	F05005-15	1	
	Instruction Sheet, Fixed Scale Retrofit	A12030-370	1	
	DECAL KIT, METRIC SCALE	K12064	1	
	Decal, Metric	S11711	1	
	Decal, Metric 16-40mm	P12040-1	1	
	Decal, Metric 45-63mm	P12040-2	1	
22	DECAL, CLUTCH HANDLE OPERATION	P11779	1	

6.3 Blade Height & Quarter Scales

LT30 Super
LT40 Super

Rev. J2.01 - J3.06
Rev. J2.01 - J4.07



REF	DESCRIPTION (◆ Indicates Parts Available In Assemblies Only)	PART #	QTY.	
	SCALE RETROFIT, FIXED WITH POINTER	A12030	1	
	Scale Kit, Fixed With Pointer	K11998	1	◆
	Scale Assembly, Fixed	A12022	1	◆
1	Bracket, Scale Mounting	W11996 ¹	1	
2	Plate, Movable Scale Stop	036666 ¹	1	
3	Scale, 35" Quarter	S11989	1	

6

Saw Head Mount & Scales*Blade Height & Quarter Scales*

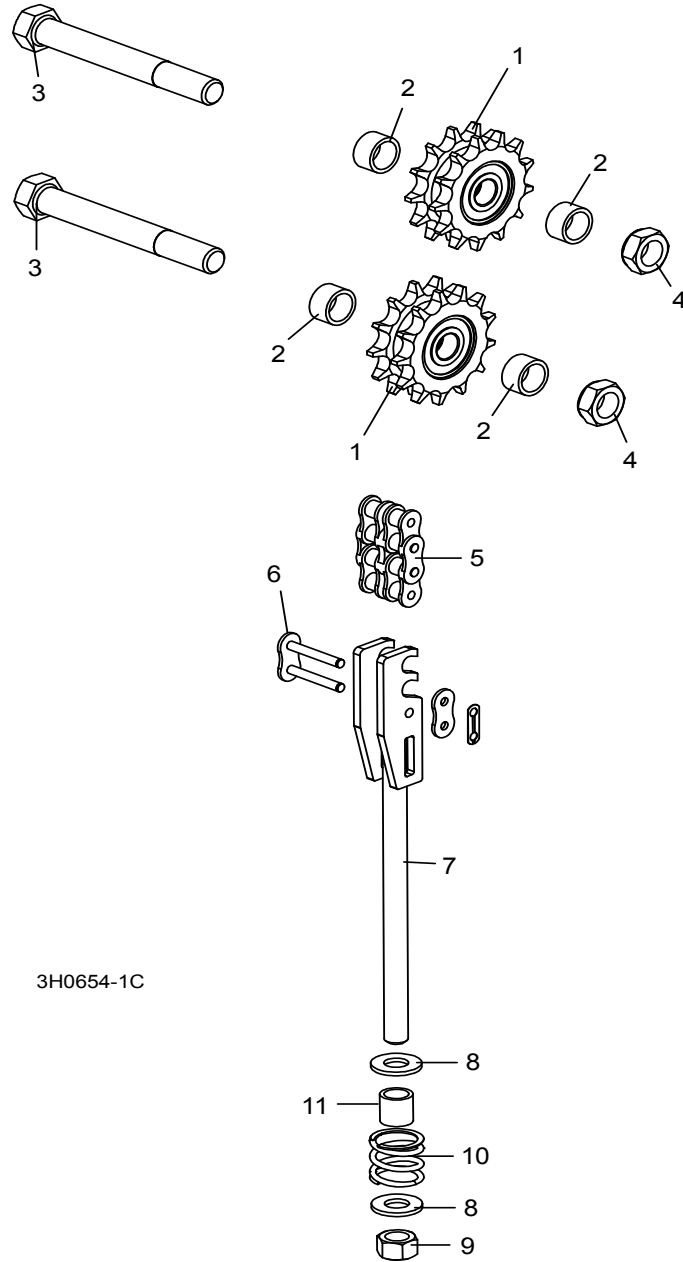
4	Decal, 35" Standard Quarter Scale	S11774	1	
	Decal, 35" Grade Hardwood Quarter Scale	P12819	1	
5	Scale, 35" Inch	S11988	1	
6	Decal, 35" Inch	S11773	1	
7	Strap, Scale Hold-Down	S04805	1	
8	Pin, 1/8" X 5/8" Roll	F05012-14	1	
9	Screw, 1/4-20 X 5/8" Wing	F05005-64	1	
10	Bolt, 1/4-20 x 1/2" Hex Head	F05005-1	2	
11	Washer, 1/4" SAE Flat	F05011-11	1	
12	Washer, 1/4" X .020 Thick Nylon Flat	F05011-22	2	
13	Nut, 1/4-20 Hex Self-Locking	F05010-9	2	
14	Screw, 1/4-20 X 3/4" Flat Socket Head	F05005-70	1	
	Pointer Assembly, Fixed Scale	A12023 ²	1	
15	Bracket, Fixed Scale Pointer Mount	S12245	1	◆
16	Pointer, Fixed Scale (Non-Accuset Only ³)	017778	1	
17	Screw, #10-24 X 3/8" Phillips Head	F05004-3	2	
18	Nut, #10-24 Hex Self-Locking	F05010-14	2	
19	Bolt, 1/4-20 x 3/4" with Conical Washer	F05005-134	2	
20	Washer, 5/16" SAE Flat	F05011-17	2	
21	Nut, 5/16-18 Hex Lock	F05010-6	2	
	Bolt, 1/4-20 X 1/2" Hex Head Grade 2	F05005-15	1	
	Instruction Sheet, Fixed Scale Retrofit	A12030-370	1	
	DECAL KIT, METRIC SCALE	K12064	1	
	Decal, Metric	S11711	1	
	Decal, Metric 16-40mm	P12040-1	1	
	Decal, Metric 45-63mm	P12040-2	1	
22	DECAL, CLUTCH HANDLE OPERATION	P11779	1	

¹ Wing screw moved to side of scale mount and bracket 036666 added to eliminate possible interference with pointer (LT30 Super Rev. J3.02 and LT40 Super Rev. J4.02). Use W11996 to service mount weldment (includes new bracket 036666).

² Pointer Assembly A12023 replaced with bent pointer to provide adjustment of distance between scale and pointer (LT30 Super Rev. J3.07 and LT40 Super Rev. J4.08). Use assembly 038591 to retrofit previous revisions ([See Section 6.2](#)).

³ Use 017805 pointer for sawmills equipped with Accuset control or use assembly 038591 to retrofit ([See Section 6.2](#)).

6.4 Up/Down Chain & Sprockets



3H0654-1C

REF	DESCRIPTION (◆ Indicates Parts Available In Assemblies Only)	PART #	QTY.
	SPROCKET KIT, UP/DOWN IDLER #50-2	016020	1
1	Sprocket, Up/Down Idler '98	016019	2
2	Spacer, 50-2 Idler '98	016018	4
	Instruction Sheet, Up/Down Idler Retrofit	016020-541	1
3	BOLT, 5/8-11 X 5" HEX HEAD GRADE 2	F05009-6	2

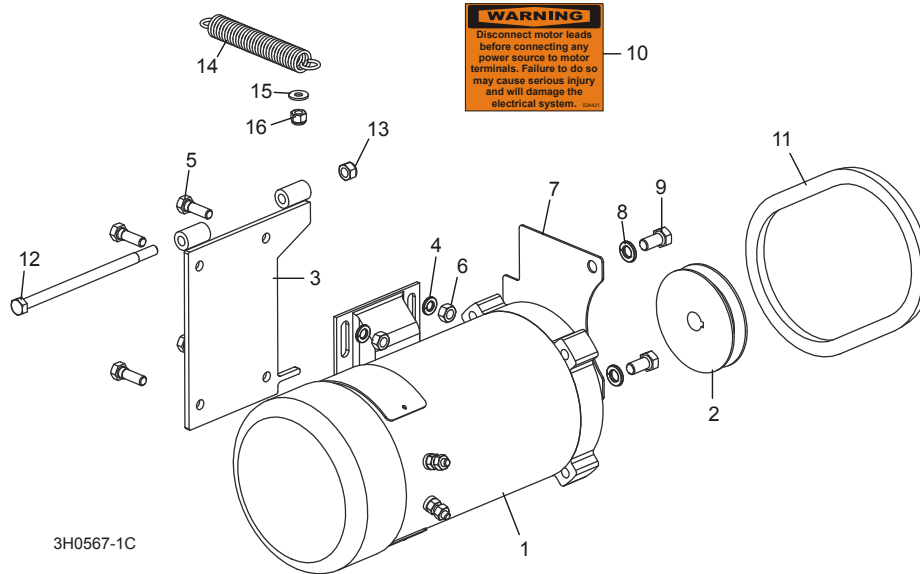
6 Up/Down System

Up/Down Chain & Sprockets

4	NUT, 5/8-11 JAM NYLON LOCK	F05010-96	2	
5	CHAIN, #50-2 X 75.625" UP/DOWN	015259	1	
6	LINK, #50-2 MASTER	015258	2	
	TENSIONER ASSEMBLY, UP/DOWN CHAIN	015456	1	
7	Bracket, Up/Down #50 Chain Tensioner	015188	1	◆
8	Washer, 1/2" SAE Flat	F05011-2	2	
9	Nut, 1/2-13 Hex Lock	F05010-3 ¹	1	
10	Spring, 1" OD x 1" Long x .125" Wire Compression	016516	1	
11	Spacer, Up/Dn Chain Tensioner	016515	1	

¹ Swaged lock nut F05010-3 has always been used in production instead of Nylon Lock Nut F05010-8 (9/09).

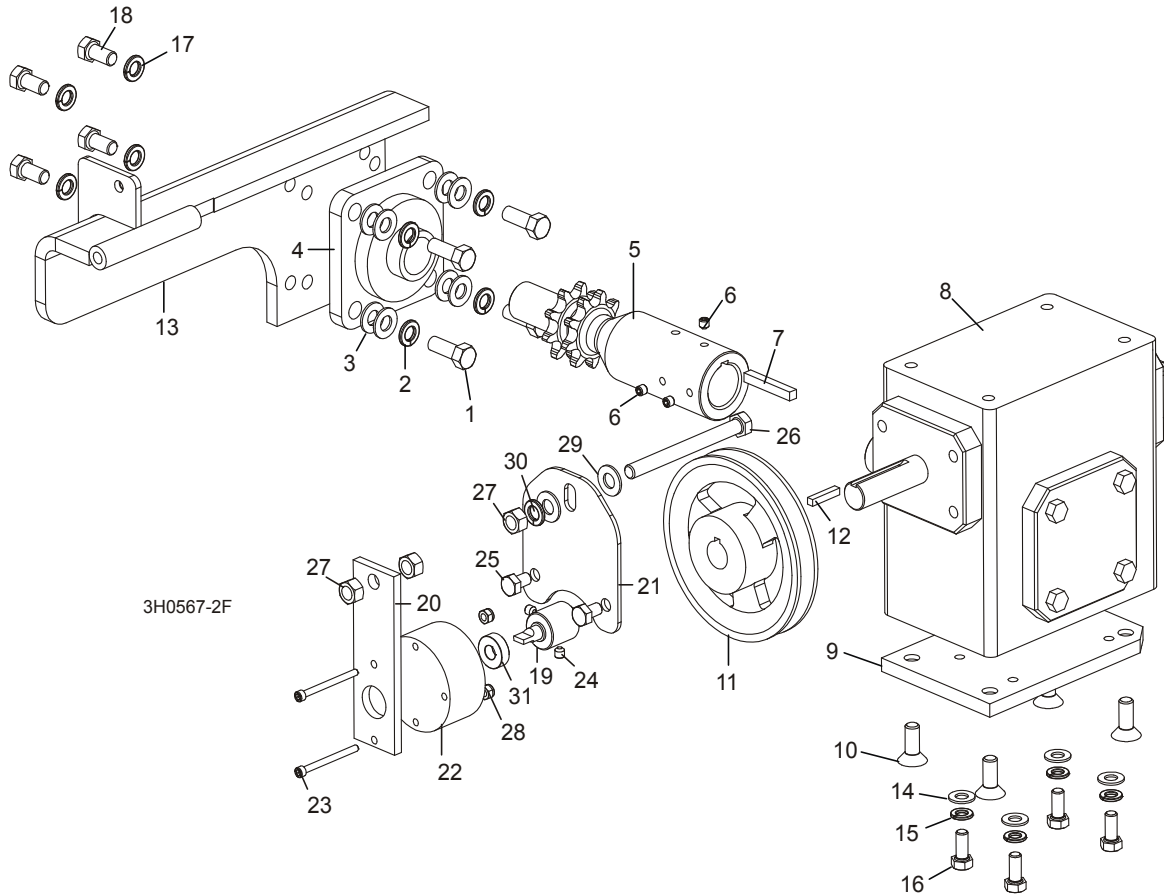
6.5 Up/Down Motor Assembly



REF	DESCRIPTION (◆ Indicates Parts Available In Assemblies Only)	PART #	QTY.
	UP/DOWN MOTOR ASSEMBLY	036209	1
1	Motor, 3/4 HP Electric	015174	1
	Brush Kit, Power Feed Motor (Includes 2 Brushes and 2 Springs)	024167	1
	Fan, 3/4 HP Leeson Motor Replacement	016087	1
	Guard, Motor Fan	047998	1
2	Pulley, AK28 x 5/8"	033852 ¹	1
3	Bracket, Up/Down Motor Mount	015198	1
4	Washer, 5/16" Split Lock	F05011-13	4
5	Bolt, 5/16-18 x 1" Hex Head	F05006-1	4
6	Nut, 5/16-18 Hex	F05010-17	4
7	Guard, Up/Down Sprocket	015016	1
8	Washer, 3/8" Split Lock	F05011-4	2
9	Bolt, 3/8-16 x 3/4" Hex Head	F05007-27	2
10	Decal, Disconnect Motor Leads Warning	024431	1
11	BELT, 4L245 NOTCHED	038459 ¹	1
12	BOLT, 5/16-18 X 6" HEX HEAD GRADE 5	F05006-73	1
13	NUT, 5/16-18 HEX NYLON LOCK	F05010-65	1
14	SPRING, .75" X 3 3/4" X .092" EXTENSION	015569	1
15	WASHER, 1/4" SAE FLAT	F05011-11	1
16	NUT, 1/4-20 NYLON LOCK HEX	F05010-69	1

¹ AK28 pulley 033852 and 4L245 belt 038459 replace AK20 036179 and 4L230 belt 036205 originally supplied prior to LT30 Super Rev. J3.05 and LT40 Super Rev. J4.06. Pulley and belt change provides faster up/down speeds with Accuset Rev. E.00 with version 4.05 software. Use kit 036212 to convert pulley/belt on sawmills prior to this revision if retrofitting sawmill with Accuset or SimpleSet option.

6.6 Up/Down Drive Assembly



REF	DESCRIPTION (◆ Indicates Parts Available In Assemblies Only)	PART #	QTY.	
	UP/DOWN DRIVE ASSEMBLY	015176	1	
1	Bolt, 3/8-16 x 1" Hex Head	F05007-7	4	
2	Washer, 3/8" Split Lock	F05011-4	4	
3	Washer, 3/8" SAE Flat	F05011-3	8	
4	Bearing, Flanged Up/Down	014090	1	
	Shaft Kit, Up/Down Drive	016094	1	
5	Shaft, Up/Down Sprocket	016031	1	◆
6	Screw, 1/4-28 x 1/4" Socket Head Cup Point	F05005-105 ¹	3	
7	Key, 1/4" Square x 1 11/16" Long	S04124	1	
8	Reducer, Gear Box	014074	1	
9	Plate, Gear Box Spacer	014158	1	
10	Bolt, 3/8-16 x 1" Flat Socket Head	F05007-64	4	
11	Pulley, Up/Down	015256	1	
12	Key, 3/16" Square x 1" Long	S31027	1	
13	Bracket, Up/Down Motor Mount	015195	1	

14	WASHER, 5/16" SAE FLAT	F05011-17	4	
15	WASHER, 5/16" SPLIT LOCK	F05011-13	4	
16	BOLT, 5/16-18 X 3/4" HEX HEAD GRADE 5	F05006-102	4	
17	WASHER, 3/8" SPLIT LOCK	F05011-4	4	
18	BOLT, 3/8-16 X 3/4" HEX HEAD	F05007-27	4	
	OIL, 8 OZ. MOBIL SHC634 BOTTLED SYNTHETIC GEAR	L04869-4 ²	1	
	BRAKE ASSEMBLY, SUPER UP/DOWN	065187 ³	1	
19	Shaft, Up/Down Brake	062567	1	
20	Plate, Brake Mount	062513	1	
21	Plate, Super Up/Dn Brake Mount	065190	1	
	Brake Assembly, LT40/50/70 Up/Down Replacement	065907	1	
22	Brake, Klauber Gearmotor #K01134D300	069519	1	◆
	Terminal, 3/16" 18-22 Ga Quick Male	F05708-26	2	
23	Bolt, #8-32 x 2" Socket Head Stainless Steel	F05004-273	2	
24	Screw, 1/4-20 x 1/4" Cup Point Socket Set	F05005-131	2	
25	Bolt, 5/16-18 x 1/2" Hex Head Grade 5	F05006-15	2	
26	Bolt, 3/8-16 x 4" Hex Head Full Thread Grade 5	F05007-92	1	
27	Nut, 3/8-16 Hex	F05010-1	3	
28	Nut, #8-32 Hex Nylon Lock	F05010-169	2	
29	Washer, 3/8" SAE Flat	F05011-3	2	
30	Washer, 3/8" Split Lock	F05011-4	1	
31	Bearing, R6-2NSL SRI-2 ABEC-1	P10688	1	

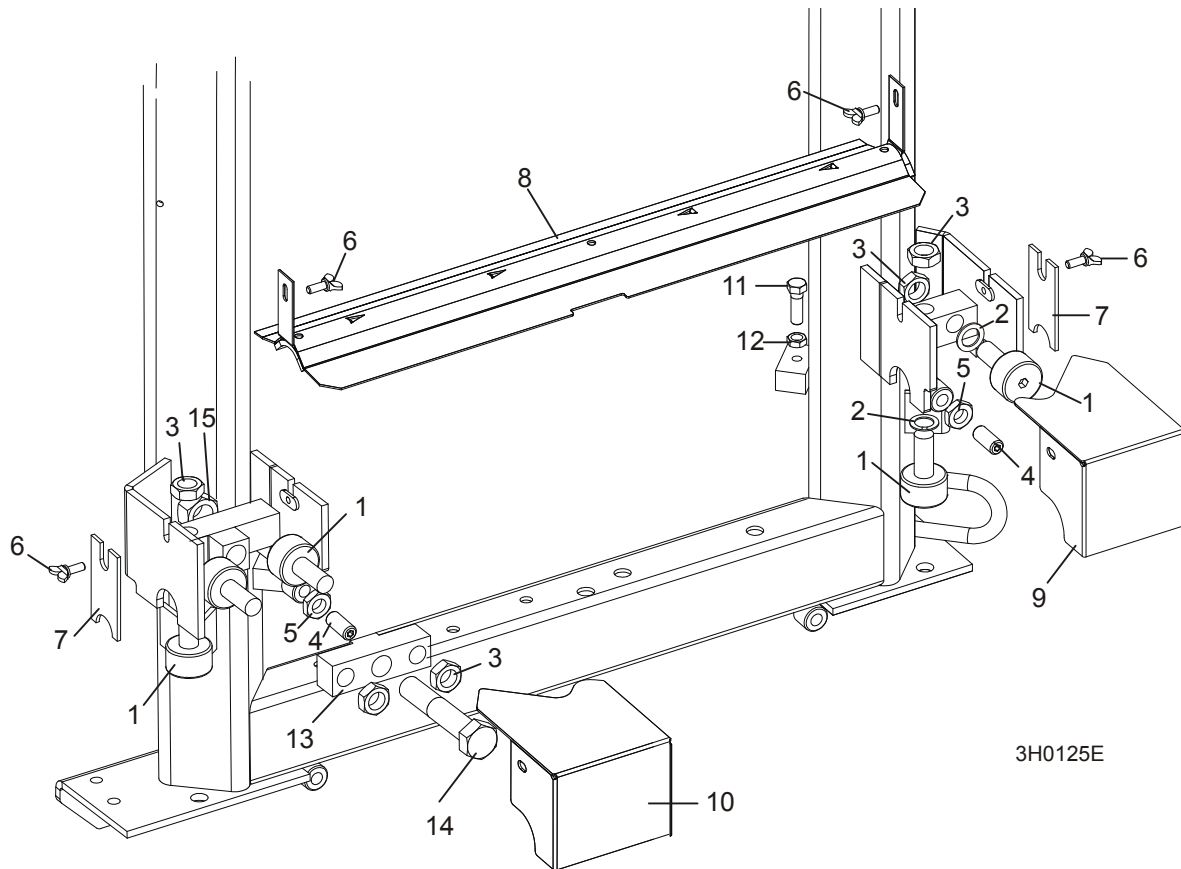
¹ One F05005-105 replaces two F05004-76 #10-24 x 3/8" Cup Point Set Screws supplied prior to 7/07.

² 24 oz. required for complete oil replacement.

³ Brake added 2/11 to prevent saw head from drifting during sawing. Use retrofit kit 062570 to retrofit previous revisions.

SECTION 7 FEED SYSTEM & TRACK ROLLERS

7.1 Upper Track Rollers And Wipers



REF	DESCRIPTION (◆ Indicates Parts Available In Assemblies Only)	PART #	QTY.	
1	ROLLER, TRACK CAM BEARING	012797	5	
2	SHIM, 5/8" X 1" X .062"	016510	2	
3	NUT, 5/8-18 HEX JAM	F05010-11	5	
4	SCREW, 1/2-13 X 1 1/4" OVAL POINT SET	F05008-5	2	
5	NUT, 1/2-13 HEX JAM	F05010-31	2	
6	SCREW, 1/4-20 X 5/8" THUMB	F05005-64	4	
7	WIPER, PLASTIC TRACK	M04113	2	
8	COVER, MIDDLE TRACK OILER ASSEMBLY	A09918	1	
	Cover, Middle Track Oiler	S09917	1	◆
	Wiper, Middle Track Felt	S09915	1	
9	HOUSING, UPPER TRACK ROLLER REAR	012999	1	
10	HOUSING, UPPER TRACK ROLLER FRONT	016285	1	
11	BOLT, 3/8-16 X 1 1/4" HEX HEAD	F05007-2	2	
12	NUT, 3/8-16 HEX JAM	F05010-29	2	

Feed System & Track Rollers
Upper Track Rollers And Wipers

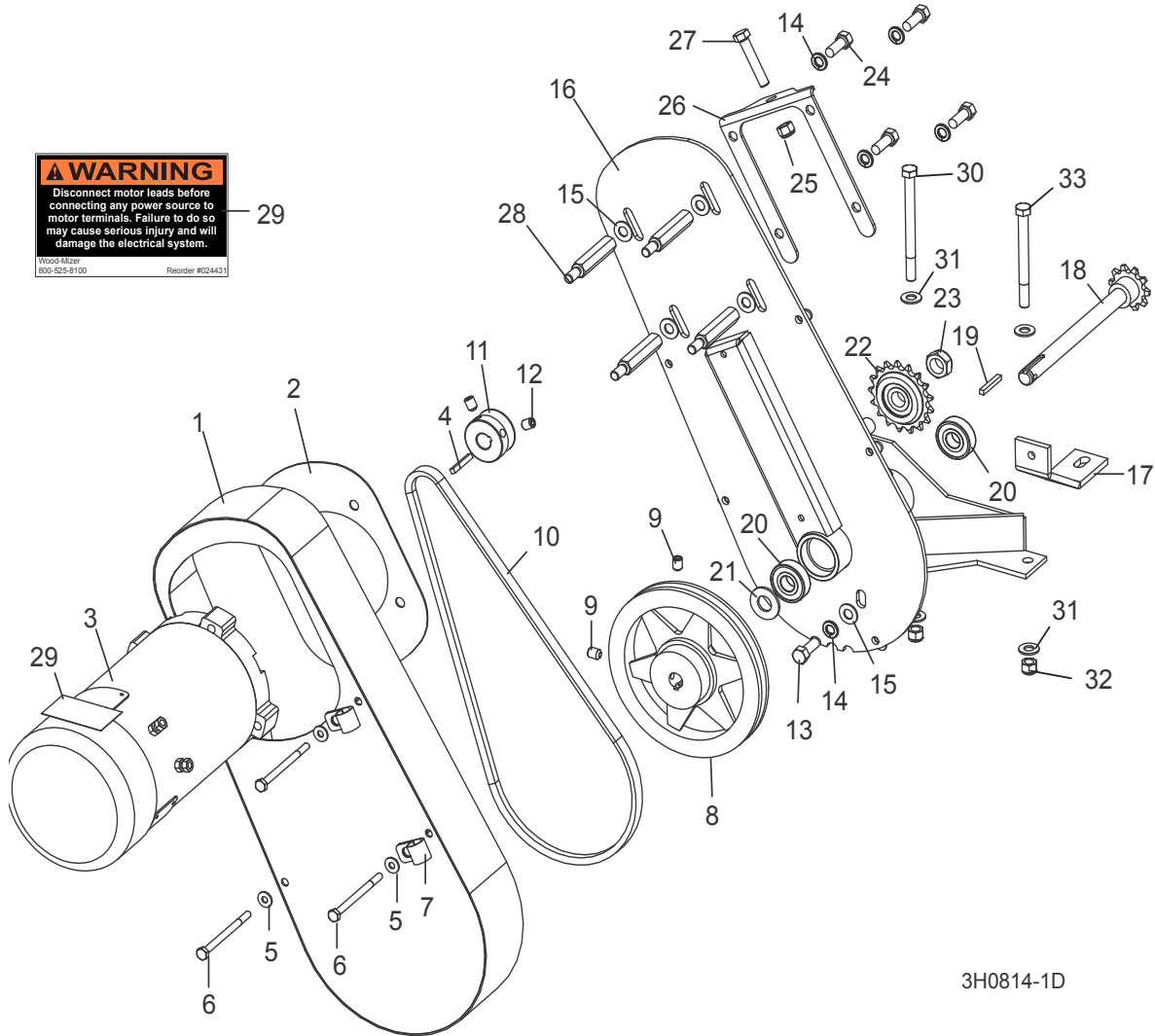
7

13	BLOCK, UPPER ROLLER PIVOT	016501	1	
14	BOLT, 3/4-10 X 4" HEX HEAD GRADE 5	F05013-3	1	
15	NUT, 3/4-10 SELF LOCKING	F05010-80	1	

7 Feed System & Track Rollers

Power Feed Assembly

7.2 Power Feed Assembly



3H0814-1D

REF	DESCRIPTION (◆ Indicates Parts Available In Assemblies Only)	PART #	QTY.
	POWER FEED ASSEMBLY	015125	1
1	Cover Weldment, Top Power Feed	015126	1
2	Plate, Power Feed Motor	015133	1
3	Motor, 3/4HP Power Feed Painted	024169	1
	Brush Kit, Leeson 3/4HP Motor (Includes 2 Brushes and 2 Springs)	024167	1
	Fan, 3/4 HP Leeson Motor Replacement	016087	1
	Guard, Motor Fan	047998	1
	Hub, Motor Fan Extension	047999	1
4	Key, 3/16" Square x 1" Long	S31027	1
5	Washer, 1/4" SAE Flat	F05011-11	4
6	Bolt, 1/4-20 X 3 1/2" Hex Head Grade 2	F05005-54	4

Feed System & Track Rollers

Power Feed Assembly

7

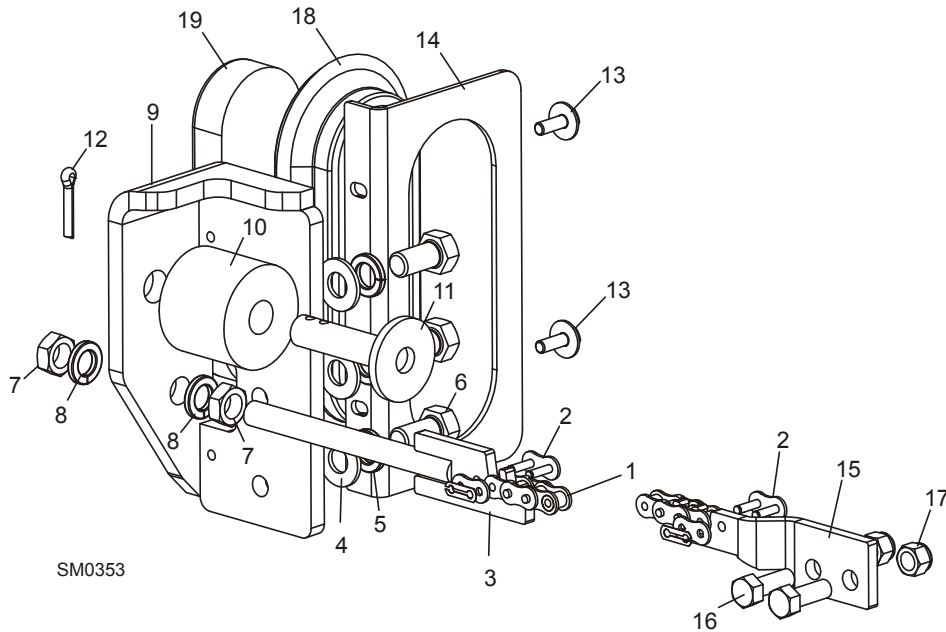
7	Clamp, 5/8" EMT Coated	010748	2	
8	Sheave, AK71 x 5/8" Power Feed (200ft./min.)	016088 ¹	1	
9	Screw, 5/16-18 x 3/4" Cup Point Set	F05006-32	2	
10	Belt, AX36 (200ft./min.)	016083 ¹	1	
11	Sheave, 1 3/4" Feed Motor	015135	1	
12	Screw, 3/8"-16 x 1/2" Cup Point Set	F05007-12	1	
13	Bolt, 3/8-16 x 1" Hex Head	F05007-7	1	
14	Washer, 3/8" Split Lock	F05011-4	5	
15	Washer, 3/8" Flat	F05011-3	5	
16	Bracket, Power Feed Mount	015162	1	
17	Brace, Power Feed Mounting	015132	1	
	Shaft Assembly, Power Feed with Key	016066	1	
18	Shaft Weldment, Power Feed	015129	1	◆
19	Key, 3/16" Square x 1 3/8" Long	016108	1	
20	Bearing, 5/8" 6203-2NSL	P06030-1	2	
21	Washer, 5/8" x 15/16" x .094" Nylon	F05011-19	1	
22	Sprocket, #40/41 Idler 17T 5/8" ID w/Bearing	016366	1	
23	Nut, 5/8-11 Nylon Lock Jam	F05010-96	1	
24	Bolt, 3/8-16 x 3/4" Hex Head	F05007-27	4	
25	Nut, 3/8-16 Hex Nylon Lock	F05010-10	1	
26	Plate, Belt Tensioner	015134	1	
27	Bolt, 3/8-16 x 2" Full Thread Hex Head	F05007-16	1	
28	Spacer, Power Feed Motor	015136	4	
29	Decal, Disconnect Motor Leads Warning	024431	1	
30	BOLT, 3/8-16 X 4 1/2" HEX HEAD	F05007-35	1	
31	WASHER, 3/8" SAE FLAT	F05011-3	4	
32	NUT, 3/8-16 HEX NYLON LOCK	F05010-10	2	
33	BOLT, 3/8-16 X 4" FULL THREAD HEX HEAD TAP GRADE 5	F05007-4	1	

¹ To increase feed return rate to 220 ft./min. replace with AK64 sheave 016114 and AX35 belt 015175 (replaces kit 016085). Kit 016070, AL84 x 5/8" Sheave 016115 and AX38 Belt 016068 to reduce feed return rate to 183 ft./min. no longer available.

7.3 Feed Chain/Stop

LT40 Super

Rev. J6.00 - J7.02



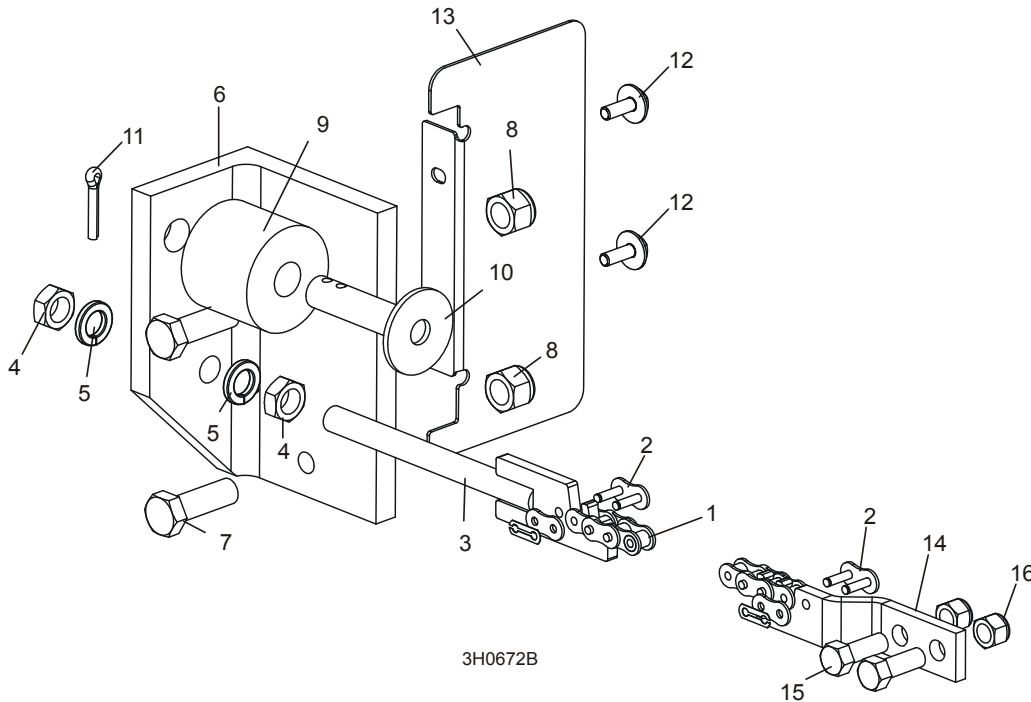
REF	DESCRIPTION (◆ Indicates Parts Available In Assemblies Only)	PART #	QTY.
1	CHAIN, #40 X 215.5" LT30 FEED	014744	1
1	CHAIN, #40 X 267.5" LT40 FEED	014745	1
2	LINK, #40 MASTER	P04200	2
3	TENSIONER WELDMENT, POWER FEED CHAIN	015721	1
4	WASHER, 1/2" SAE FLAT	F05011-2	3
5	WASHER, 1/2" SPLIT LOCK	F05011-9	3
6	BOLT, 1/2-13 X 1" HEX HEAD GRADE 8	F05008-128	3
7	NUT, 1/2-20 HEX JAM	F05010-16	2
8	WASHER, 1/2" SPLIT LOCK	F05011-9	2
9	BRACKET WELDMENT, REAR FEED STOP	006686	1
	STOP KIT, RUBBER CARRIAGE	K09630	2
10	Stop, Rubber Carriage	P12165	1
11	Pin, Rubber Carriage Stop	W09293	1
12	Pin, 3/16" X 1" Cotter	F05012-21	1
13	BOLT, 1/4-20 X 3/4" WITH CONICAL WASHER	F05005-134	1
14	PLATE, BED TUBE END W/LIGHT MOUNT	057822	1
15	BRACKET, FRONT FEED CHAIN MOUNT	015008	1
16	BOLT, 3/8-16 X 1" HEX HEAD	F05007-7	2
17	NUT, 3/8-16 HEX NYLON LOCK	F05010-10	2
18	GROMMET, 6 1/2" LIGHT MOUNTING	006688	1
19	LIGHT, 8 DIODE LED TAIL	006391	1

7.4 Feed Chain/Stop

LT30 Super
LT40 Super

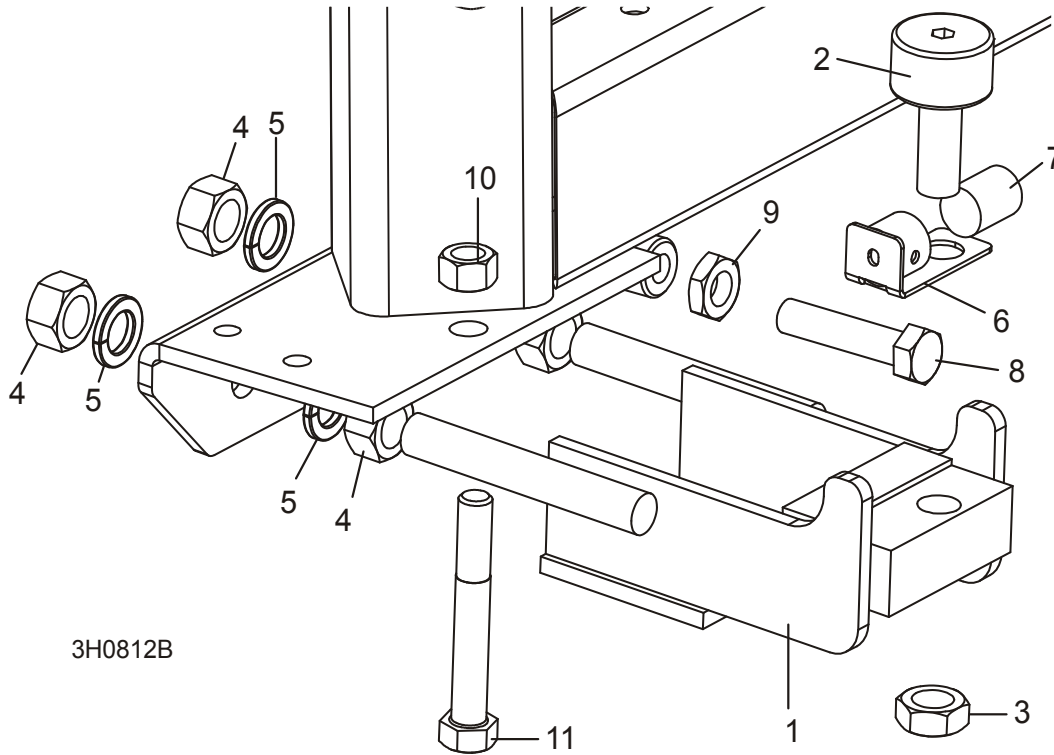
Rev. J2.00 - J3.08

Rev. J3.01 - J5.03



REF	DESCRIPTION (◆ Indicates Parts Available In Assemblies Only)	PART #	QTY.
1	CHAIN, #40 X 215.5" LT30 FEED	014744	1
1	CHAIN, #40 X 267.5" LT40 FEED	014745	1
2	LINK, #40 MASTER	P04200	2
3	TENSIONER WELDMENT, POWER FEED CHAIN	015721	1
4	NUT, 1/2-20 HEX JAM	F05010-16	2
5	WASHER, 1/2" SPLIT LOCK	F05011-9	2
6	BRACKET, 4 X 8 END CAP	016165	1
7	BOLT, 1/2-13 X 1 1/2" HEX HEAD GRADE 5	F05008-33	2
8	NUT, 1/2-13 HEX NYLON LOCK	F05010-8	2
	STOP KIT, RUBBER CARRIAGE	K09630	2
9	Stop, Rubber Carriage	P12165	1
10	Pin, Rubber Carriage Stop	W09293	1
11	Pin, 3/16" X 1" Cotter	F05012-21	1
12	BOLT, 1/4-20 X 3/4" WITH CONICAL WASHER	F05005-134	1
13	CAP, 4 X 8" REAR FORMED	016164	1
14	BRACKET, FRONT FEED CHAIN MOUNT	015008	1
15	BOLT, 3/8-16 X 1" HEX HEAD	F05007-7	2
16	NUT, 3/8-16 HEX NYLON LOCK	F05010-10	2

7.5 Lower Track Rollers



3H0812B

REF	DESCRIPTION (◆ Indicates Parts Available In Assemblies Only)	PART #	QTY.	
	ROLLER ASSEMBLY, LOWER TRACK	012995	2	
1	Bracket, Lower Track Roller Mounting	012982	1	◆
2	Roller, Track Cam Bearing	012797	1	
3	Nut, 5/8-18 Hex Jam	F05010-11	1	
4	Nut, 5/8-11 Hex	F05010-5	4	
5	Washer, 5/8" Split Lock Grade 8	F05011-118 ¹	4	
6	Bracket Weldment, Lower Track Roller Wiper	033374	1	
7	Wiper, Round Gray Felt	033375	1	
8	BOLT, 1/2-13 X 2 1/4" HEX HEAD FULL THREAD	F05008-2	2	
9	NUT, 1/2-13 HEX JAM	F05010-31	2	
10	NUT, 1/2-13 HEX LOCK	F05010-3	2	
11	BOLT, 1/2-13 X 3 1/2" HEX HEAD GRADE 5	F05008-61	2	

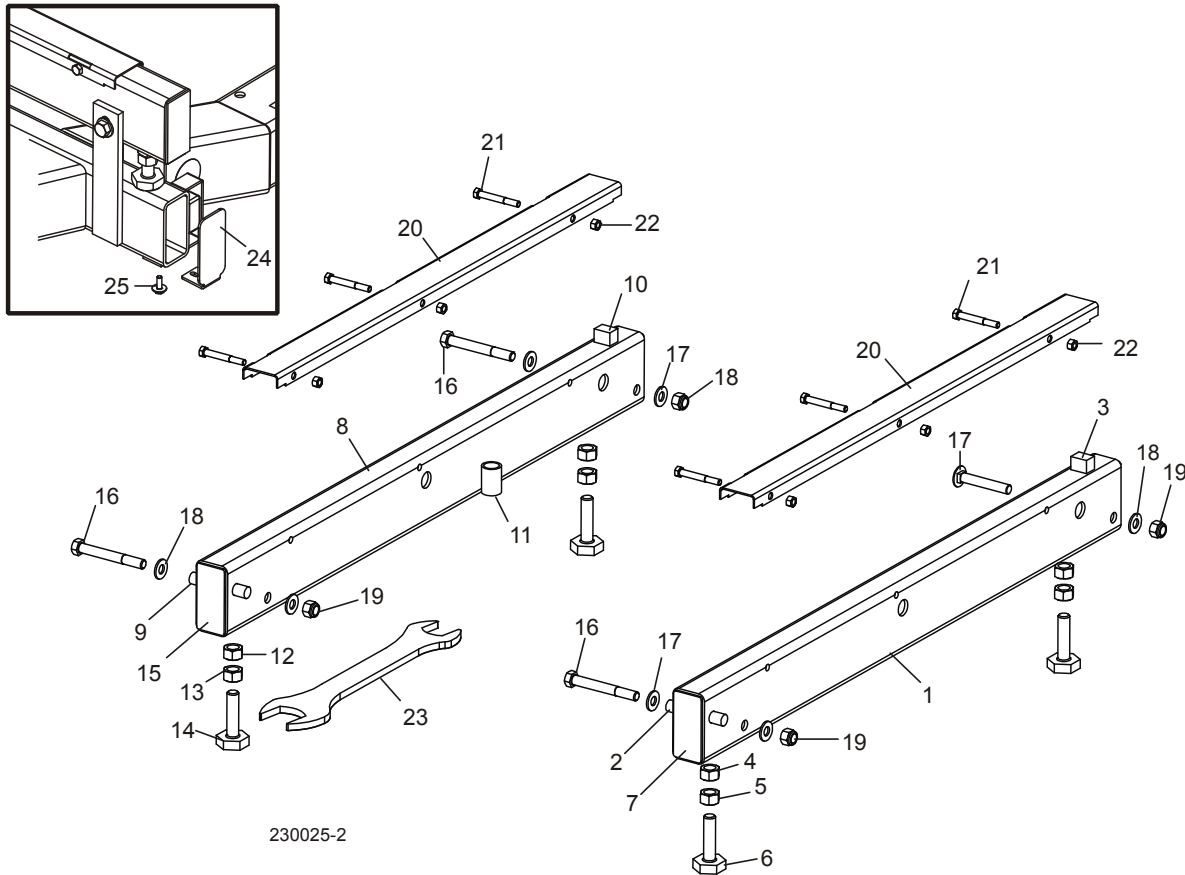
¹ Grade 8 washers replace F05011-27 originally supplied before 8/07 to improve durability.

SECTION 8 BED FRAME ASSEMBLY

8.1 Bed Rail Assembly, Front And Rear

LT30 Super
 LT40 Super

Rev. J3.08
 Rev. J4.09 - J7.02



REF	DESCRIPTION (◆ Indicates Parts Available In Assemblies Only)	PART #	QTY.	
	BED RAIL ASSEMBLY, REAR PAINTED	A09774	1	
1	Bed Rail Tube, Long	S09102	1	◆
2	Pin, Ramp Mount	S04030	1	
3	Block, Log Stop	S09034	1	
4	Nut, 5/8-11 Pilot Weld	F05010-84	2	
5	Nut, 5/8-11 Hex	F05010-5	2	
6	Bolt, Bed Rail Adjustment	S13006	2	
7	Plate, Bed Rail End Cap	S04058	2	◆
	BED RAIL ASSEMBLY, FRONT PAINTED	A09564	1	
8	Bed Rail Tube, Long	S09102	1	◆
9	Pin, Ramp Mount	S04030	1	

8

Bed Frame Assembly*Bed Rail Assembly, Front And Rear*

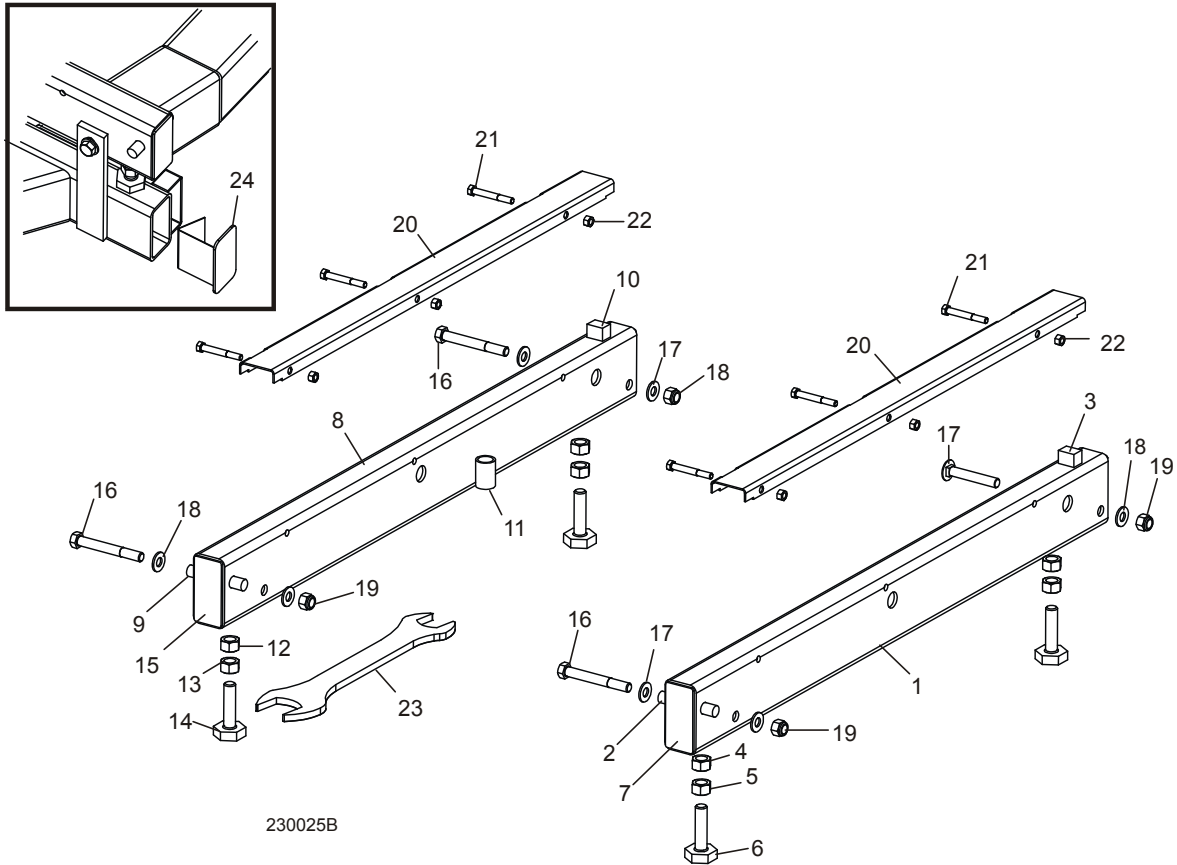
10	Block, Log Stop	S09034	1	
11	Tube, Ramp Retainer Mount	S09334	1	◆
12	Nut, 5/8-11 Pilot Weld	F05010-84	2	
13	Nut, 5/8-11 Hex	F05010-5	2	
14	Bolt, Bed Rail Adjustment	S13006	2	
15	Plate, Bed Rail End Cap	S04058	2	◆
16	BOLT, 1/2-13 X 4" HEX HEAD GRADE 5	F05008-78	3	
17	BOLT, 1/2-13 X 3 1/2" CARRIAGE	F05008-94 ¹	1	
18	WASHER, 1/2" SAE FLAT	F05011-2	7	
19	NUT, 1/2-13 NYLON LOCK	F05010-8	4	
20	COVER, STAINLESS STEEL BED RAIL	016898	2	
21	BOLT, 5/16-18 X 2 1/2" HEX HEAD	F05006-10	6	
22	NUT, 5/16-18 HEX LOCK	F05010-6	6	
23	WRENCH, BED RAIL ADJUSTMENT	015970	1	
24	CAP, BED RAIL REMOVABLE END	038843	2	
25	BOLT, 1/4-20 X 3/4" W/CONICAL WASHER HEAD	F05005-134	2	

¹ Used on rear bed rail to allow clearance for optional side support rollers.

8.2 Bed Rail Assembly, Front And Rear

LT30 Super
LT40 Super

Rev. J2.01 - J3.07
Rev. J3.01 - J4.08



REF	DESCRIPTION (◆ Indicates Parts Available In Assemblies Only)	PART #	QTY.	
	BED RAIL ASSEMBLY, REAR PAINTED	A09774	1	
1	Bed Rail Tube, Long	S09102	1	◆
2	Pin, Ramp Mount	S04030	1	
3	Block, Log Stop	S09034	1	
4	Nut, 5/8-11 Pilot Weld	F05010-84	2	
5	Nut, 5/8-11 Hex	F05010-5	2	
6	Bolt, Bed Rail Adjustment	S13006	2	
7	Plate, Bed Rail End Cap	S04058	2	◆
	BED RAIL ASSEMBLY, FRONT PAINTED	A09564	1	
8	Bed Rail Tube, Long	S09102	1	◆
9	Pin, Ramp Mount	S04030	1	
10	Block, Log Stop	S09034	1	
11	Tube, Ramp Retainer Mount	S09334	1	◆

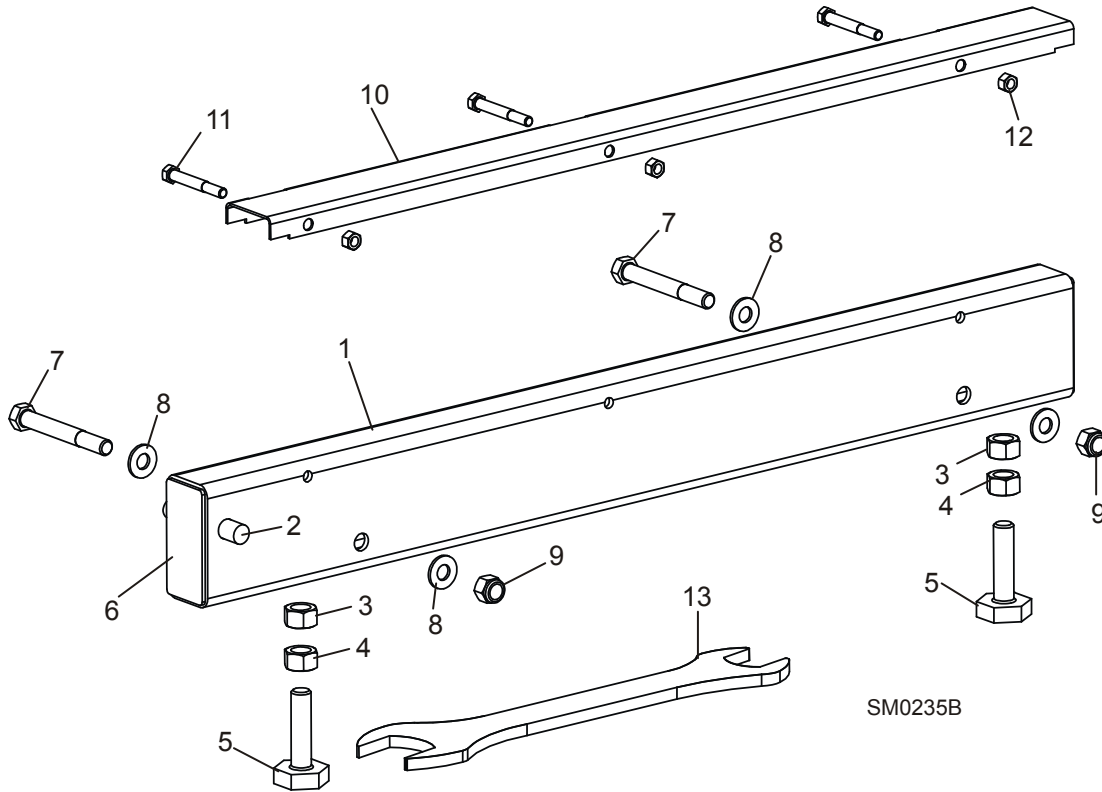
8

Bed Frame Assembly*Bed Rail Assembly, Front And Rear*

12	Nut, 5/8-11 Pilot Weld	F05010-84	2	
13	Nut, 5/8-11 Hex	F05010-5	2	
14	Bolt, Bed Rail Adjustment	S13006	2	
15	Plate, Bed Rail End Cap	S04058	2	◆
16	BOLT, 1/2-13 X 4" HEX HEAD GRADE 5	F05008-78	3	
17	BOLT, 1/2-13 X 3 1/2" CARRIAGE	F05008-94 ¹	1	
18	WASHER, 1/2" SAE FLAT	F05011-2	7	
19	NUT, 1/2-13 NYLON LOCK	F05010-8	4	
20	COVER, STAINLESS STEEL BED RAIL	016898	2	
21	BOLT, 5/16-18 X 2 1/2" HEX HEAD	F05006-10	6	
22	NUT, 5/16-18 HEX LOCK	F05010-6	6	
23	WRENCH, BED RAIL ADJUSTMENT	015970	1	
24	CAP WELDMENT, BED RAIL REMOVABLE END	014652	2	

¹ Used on rear bed rail to allow clearance for optional side support rollers.

8.3 Bed Rail Assembly, Middle Front

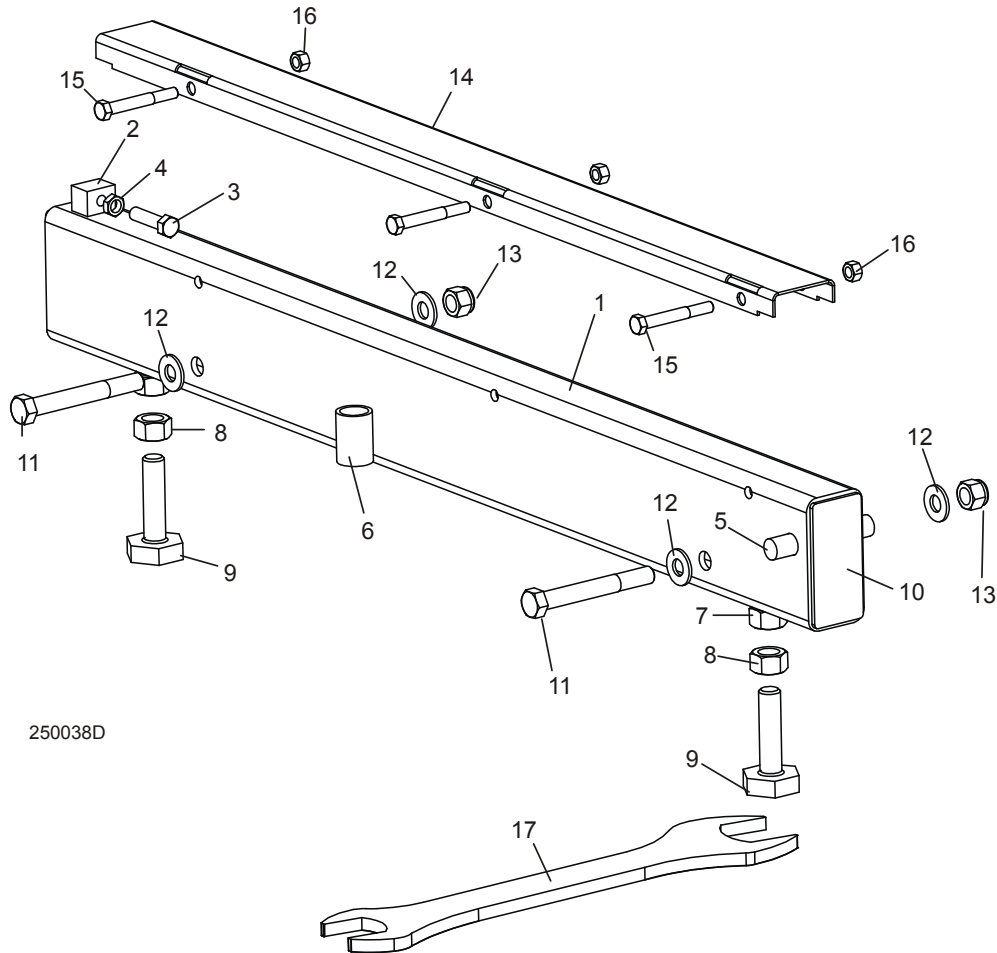


REF	DESCRIPTION (◆ Indicates Parts Available In Assemblies Only)	PART #	QTY.	
	BED RAIL ASSEMBLY, FRONT MIDDLE	A09566	1	
1	Bed Rail Tube, Short	S09103	1	◆
2	Pin, Ramp Mount	S04030	1	
3	Nut, 5/8-11 Pilot Weld	F05010-84	2	
4	Nut, 5/8-11 Hex	F05010-5	2	
5	Bolt, Bed Rail Adjustment	S13006	2	
6	Plate, Bed Rail End Cap	S04058	2	◆
7	BOLT, 1/2-13 X 4" HEX HEAD GRADE 5	F05008-78	2	
8	WASHER, 1/2" SAE FLAT	F05011-2	4	
9	NUT, 1/2-13 NYLON LOCK	F05010-8	2	
	COVER ASSEMBLY, STAINLESS STEEL BED RAIL (LONG)	A09956	1	
10	Cover, Stainless Steel Bed Rail	S09944	1	◆
11	Bolt, 5/16-18 X 2 1/2" Hex Head	F05006-10	3	
12	Nut, 5/16-18 Hex Lock	F05010-6	3	
13	WRENCH, BED RAIL ADJUSTMENT	015970	1	

8 Bed Frame Assembly

Bed Rail Assembly, Middle Rear

8.4 Bed Rail Assembly, Middle Rear



REF	DESCRIPTION (◆ Indicates Parts Available In Assemblies Only)	PART #	QTY.	
	BED RAIL ASSEMBLY, REAR MIDDLE	A09565	1	
1	Bed Rail Tube, Short	014640	1	◆
2	Block, Log Stop w/Threaded Hole	014639	1	◆
3	Bolt, 3/8-16 x 1 1/2 Full Thread Hex Head	F05007-17	1	
4	Nut, 3/8-16 Hex Jam	F05010-29	1	
5	Pin, Ramp Mount	S04030	1	
6	Tube, Ramp Retainer Mount	S09334	1	◆
7	Nut, 5/8-11 Pilot Weld	F05010-84	2	
8	Nut, 5/8-11 Hex	F05010-5	2	
9	Bolt, Bed Rail Adjustment	S13006	2	
10	Plate, Bed Rail End Cap	S04058	2	◆
11	BOLT, 1/2-13 X 4" HEX HEAD GRADE 5	F05008-78	2	
12	WASHER, 1/2" SAE FLAT	F05011-2	4	
13	NUT, 1/2-13 NYLON LOCK	F05010-8	2	

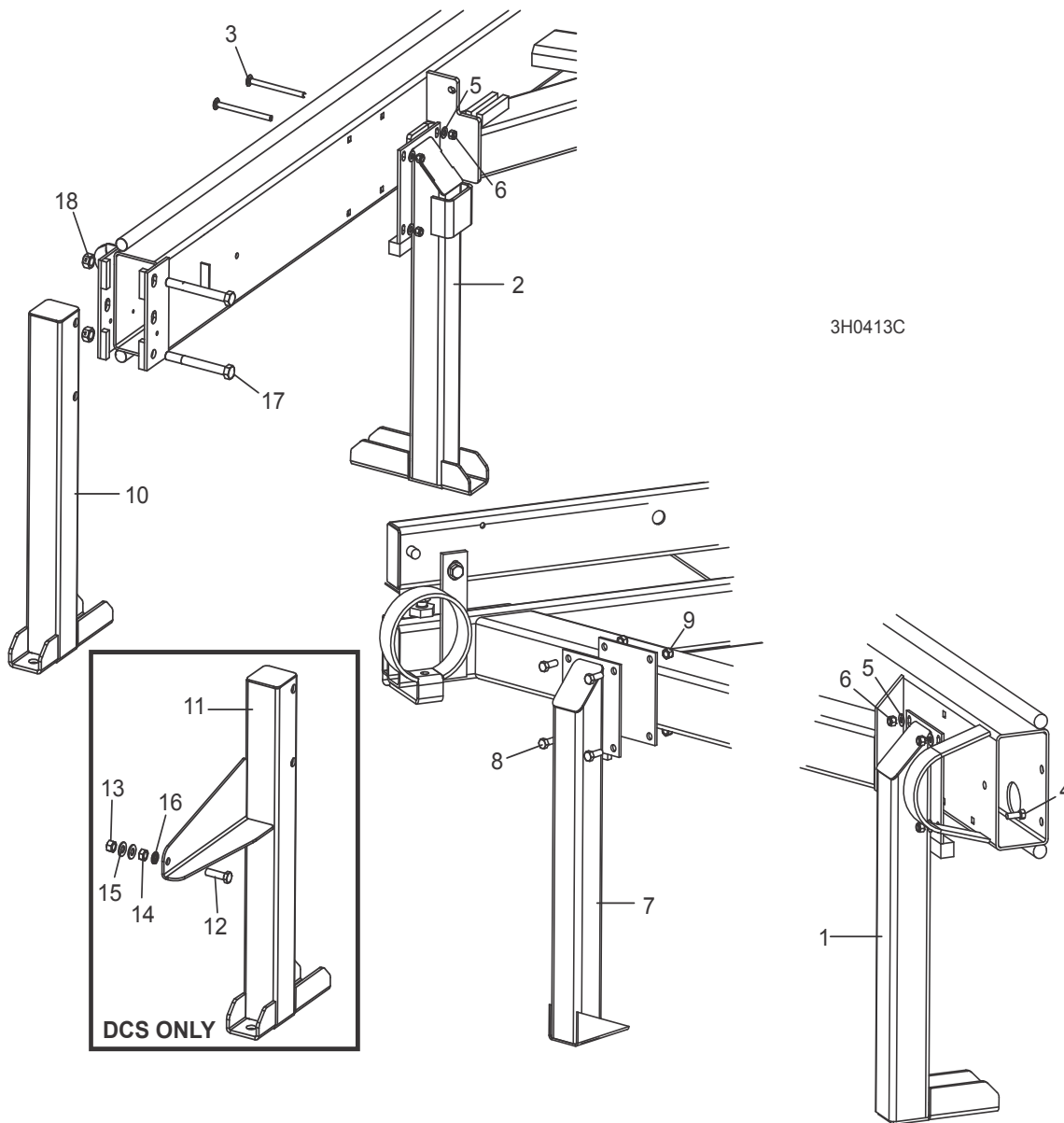
Bed Frame Assembly
Bed Rail Assembly, Middle Rear

8

	COVER ASSEMBLY, STAINLESS STEEL BED RAIL (LONG)	A09956	1	
14	Cover, Stainless Steel Bed Rail	S09944	1	◆
15	Bolt, 5/16-18 X 2 1/2" Hex Head	F05006-10	3	
16	Nut, 5/16-18 Hex Lock	F05010-6	3	
17	WRENCH, BED RAIL ADJUSTMENT	015970	1	

8 **Bed Frame Assembly**
Leg Assembly (Stationary)

8.5 Leg Assembly (Stationary)



REF	DESCRIPTION (◆ Indicates Parts Available In Assemblies Only)	PART #	QTY.
1	LEG, LONG STATIONARY (1 REQ'D FOR LT30; 3 REQ'D FOR LT40)	W09513	1/3
2	LEG, LONG STATIONARY W/BOARD RETURN TABLE BRACKET	015091	1
3	BOLT, 3/8-16 X 5" CARRIAGE HEAD	F05007-113	8/12
4	BOLT, 3/8-16 X 1 1/4" HEX HEAD (REQ'D FOR REAR LT40 ONLY)	F05007-2	4
5	WASHER, 3/8" SAE FLAT	F05011-3	8/16
6	NUT, 3/8-16 HEX NYLON LOCK	F05010-10	8/16

Bed Frame Assembly
Leg Assembly (Stationary)

8

7	LEG, SHORT STATIONARY	W09515	2	
8	BOLT, 3/8-16 X 1 1/4" HEX HEAD	F05007-2	8	
9	NUT, 3/8-16 HEX NYLON LOCK	F05010-10	8	
10	LEG, FRONT STATIONARY	W09517	1	
11	BOLT, 5/8-11 X 5 1/2" HEX HEAD GRADE 5	F05009-11	2	
12	NUT, 5/8-11 HEX LOCK	F05010-4	2	

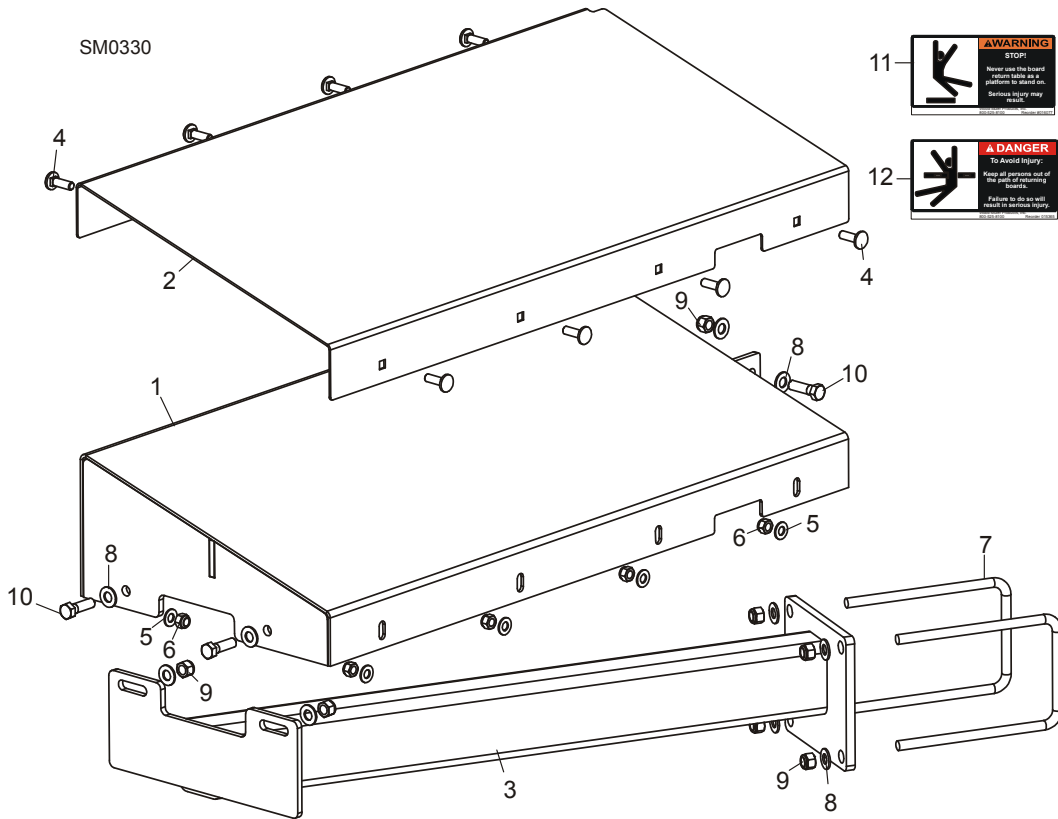
8 Bed Frame Assembly

Board Return Table Assembly

8.6 Board Return Table Assembly

LT40 Super

Rev. J5.01 - J7.02

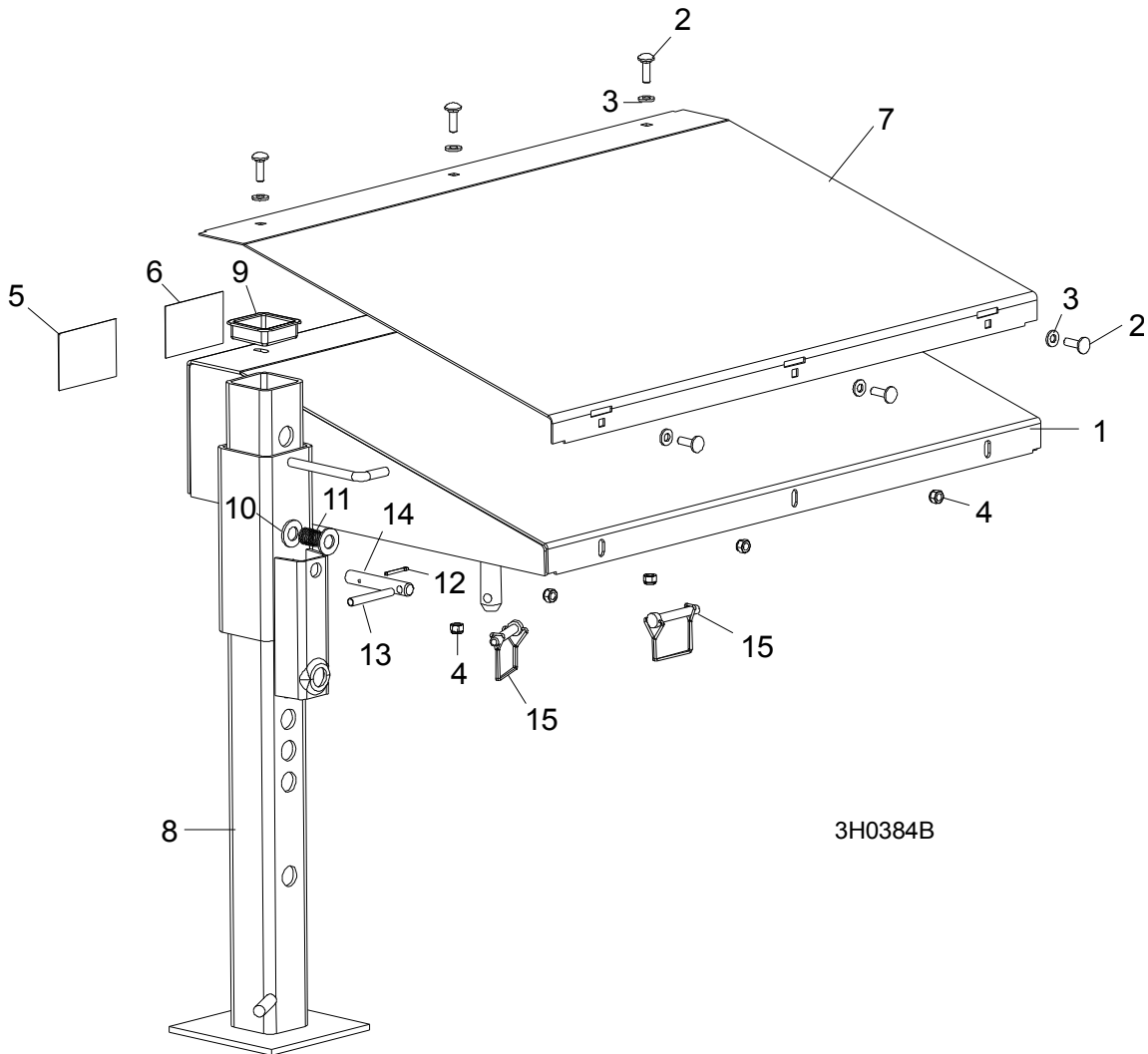


REF	DESCRIPTION (◆ Indicates Parts Available In Assemblies Only)	PART #	QTY.
	TABLE ASSEMBLY, BOARD RETURN (LT40)	003264	1
	TABLE ASSEMBLY, BOARD RETURN (LT30)	003270	1
1	Table Weldment, Board Return	055515	1
2	Cover, Board Return Table	003259	1
3	Mount Weldment, Board Return Table (LT40)	055533	1
	Mount Weldment, Board Return Table (LT30)	038992	1
4	Bolt, 5/16-18 x 1" Carriage Head	F05006-9	8
5	Washer, 5/16" SAE Flat	F05011-17	8
6	Nut, 5/16-18 Nylon Lock	F05010-58	8
7	Bolt, 3/8-16 x 4" x 5" 'U'	003207	2
8	Washer, 3/8" SAE Flat	F05011-3	10
9	Nut, 3/8-16 Hex Nylon Lock	F05010-10	7
10	Bolt, 3/8-16 x 1 1/4" Hex Head Grade 5	F05007-123	3
11	Decal, Board Return Table Warning	016077	1
12	Decal, Board Return Danger	015365	1

8.7 Board Return Table Assembly

LT30 Super
LT40 Super

Rev. J2.01 - J3.08
Rev. J3.01 - J5.00

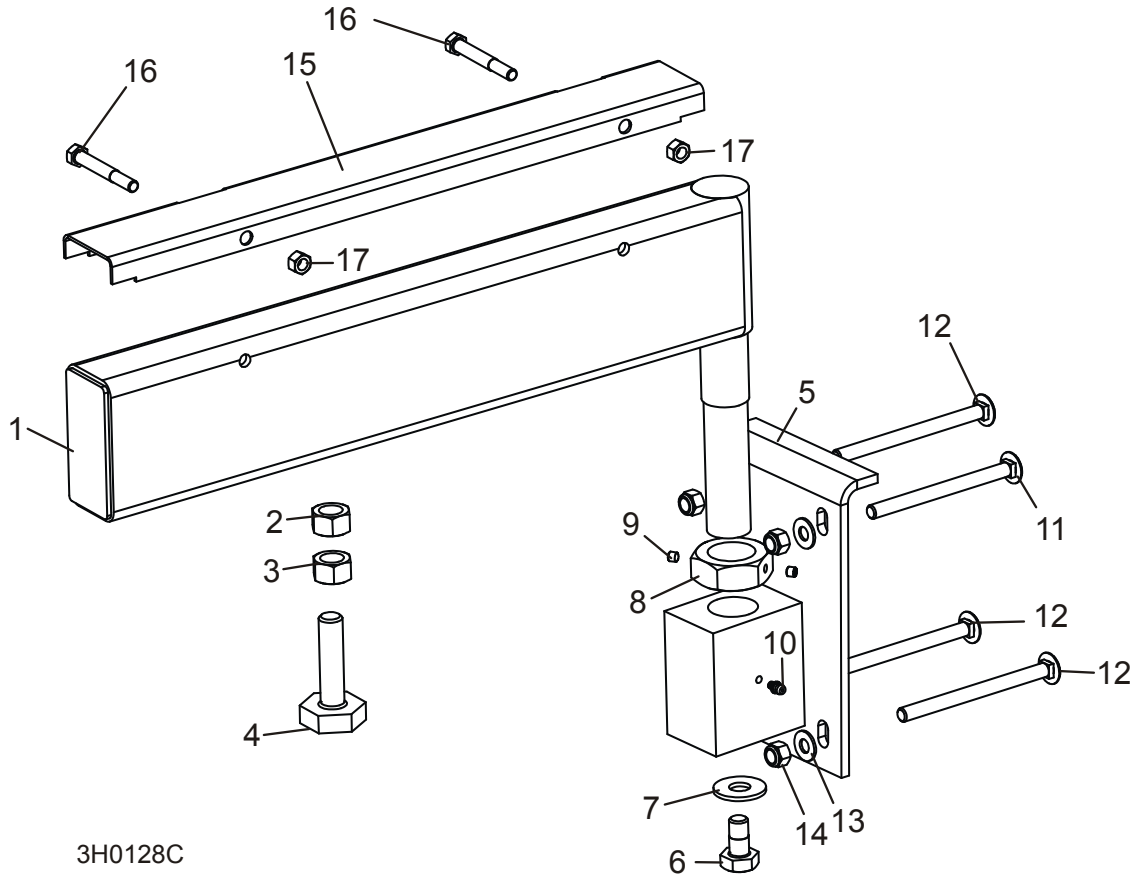


REF	DESCRIPTION (◆ Indicates Parts Available In Assemblies Only)	PART #	QTY.	
	TABLE ASSEMBLY, BOARD RETURN	015792	1	
1	Table Weldment, Board Return	015790	1	◆
2	Bolt, 5/16-18 x 1" Carriage Head	F05006-9	6	
3	Washer, 5/16" SAE Flat	F05011-17	6	
4	Nut, 5/16-18 Nylon Lock	F05010-58	6	
5	Decal, Board Return Danger	015365	1	
6	Decal, Board Return Table Warning	016077	1	
7	Plate, Return Table Stainless Steel	015791	1	

8**Bed Frame Assembly***Board Return Table Assembly*

8	Leg Weldment, Painted Outrigger	W07537	1	
9	Cap, Outrigger Leg	P09926	1	
10	Washer, 3/4" SAE Flat	F05011-62	2	
11	Spring, Outrigger Pin	016145	1	
12	Pin, 1/8" X 1 1/4" Cotter	F05012-59	1	
	Pin Kit, 3/4" Outrigger Pull	016148	1	
13	Pin, 5/16" X 2 1/2" Roll	F05012-47	1	
14	Pin, 3/4" Outrigger Pull	016147	1	◆
15	Pin, 3/8 X 2 1/4" Square Wire Lock	014151	2	

8.8 Pivot Bed Rail Assembly



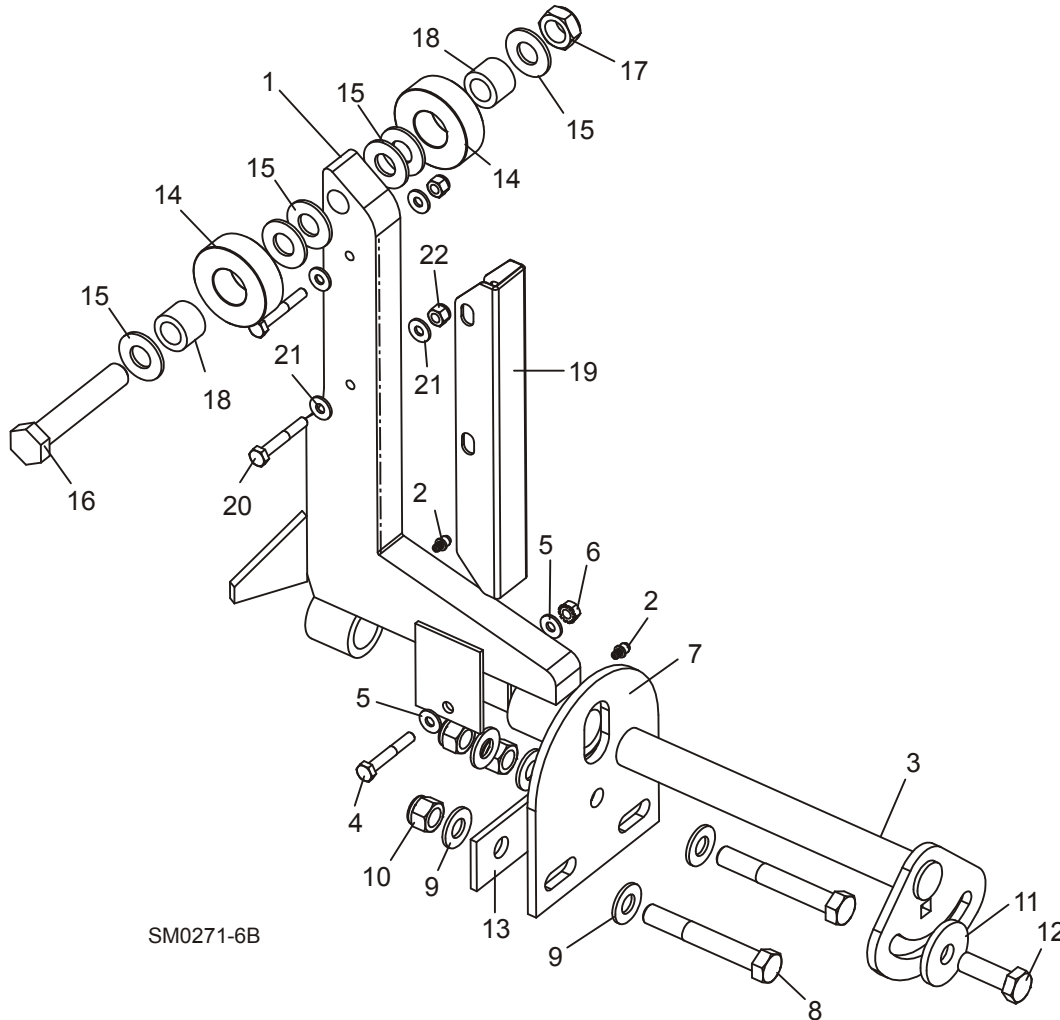
REF	DESCRIPTION (◆ Indicates Parts Available In Assemblies Only)	PART #	QTY.	
	PIVOT BED RAIL ASSEMBLY (LT40)	A13015	2	
	PIVOT BED RAIL ASSEMBLY (LT30)	012993	2	
1	Pivot Bed Rail Weldment (LT40)	W13014	1	◆
	Pivot Bed Rail Weldment (LT30)	012992	1	◆
2	Nut, 5/8-11 Pilot Weld	F05010-84	2	
3	Nut, 5/8-11 Hex	F05010-5	2	
4	Bolt, Bed Rail Adjustment	S13006	2	
5	Bracket, Pivot Rail Mounting	W13090	1	
6	Bolt, 1/2-13 x 1" Hex Head Grade 2	F05008-50	1	
7	Washer, 9/16" SAE Flat	F05011-52	1	
8	Nut, Pivot Rail Adjustment	S13016	1	
9	Screw, 1/4-28 x 1/4" Brass Tip Set	F05005-42	2	
10	Fitting, 3/16" Grease	P04107	1	
11	BOLT, 3/8-16 X 4 3/4" CARRIAGE HEAD	F05007-114	2	

8

Bed Frame Assembly*Pivot Bed Rail Assembly*

12	BOLT, 3/8-16 X 5" CARRIAGE HEAD	F05007-113	6	
13	WASHER, 3/8" SAE FLAT	F05011-3	8	
14	NUT, 3/8-16 NYLON LOCK	F05010-10	8	
	COVER KIT, PIVOT RAIL STAINLESS STEEL (LT40)	017710	2	
	COVER KIT, PIVOT RAIL STAINLESS STEEL (LT30)	015926	2	
15	Cover, Stainless Steel Pivot Bed Rail (LT40)	S13012	1	
	Cover, Stainless Steel Pivot Bed Rail (LT30)	012994	1	
16	Bolt, 5/16-18 X 2 1/2" Hex Head	F05006-10	2	
17	Nut, 5/16-18 Hex Lock	F05010-6	2	
	WRENCH, BED RAIL ADJUSTMENT (See Section 8.1)	015970	1	

8.9 Log Side Support Assembly



SM0271-6B

REF	DESCRIPTION (◆ Indicates Parts Available In Assemblies Only)	PART #	QTY.
1	SUPPORT, LOG SIDE	015235	4
2	Fitting, 3/16" Grease	P04107	2
	MOUNTING KIT, LOG SIDE SUPPORT	016559	4
3	Pin, Log Side Support Pivot	016544	1
4	Bolt, 1/4-20 X 1 1/2" Hex Head Grade 5	F05005-4	1
5	Washer, 1/4" SAE Flat	F05011-11	2
6	Nut, 1/4-20 Self Locking	F05010-9	1
7	Plate, Log Side Support End	016555	1
8	Bolt, 1/2-13 X 3 1/2" Hex Head Grade 5	F05008-61	2
9	Washer, 1/2" SAE Flat	F05011-2	5
10	Nut, 1/2-13 Hex Nylon Lock	F05010-8	3

8

Bed Frame Assembly

Log Side Support Assembly

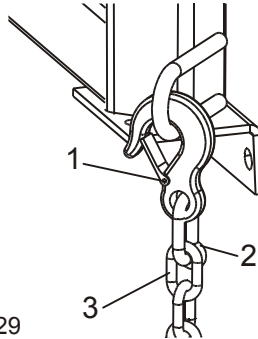
11	Washer, .52" x 1.69"	014632 ¹	1	
12	Bolt, 1/2-13 X 1 1/2" Hex Head Grade 5	F05008-33	1	
13	Plate, Side Support Washer Clamp	016558	1	
	ROLLER KIT, SIDE SUPPORT (OPTIONAL)	016562	4	
14	Roller, Side Support	016561	2	
15	Washer, 5/8" SAE Flat	F05011-5 ²	6	
16	Bolt, 5/8-11 x 3 3/4" Hex Head Grade 5	F05009-118 ³	1	
17	Nut, 5/8-11 Hex Nylon Lock Jam	F05010-96	1	
18	Bushing, Bronze 5/8" x 1" x 3/4"	016560	2	
	Bolt, 1/2-13 x 3 1/2" Carriage Head	F05008-94	1	
	Instruction Sheet, Side Support Roller	016562-526	1	
	GUARD KIT, STAINLESS STEEL SIDE SUPPORT	016798	1	
19	Guard, Stainless Steel Side Support	016722	4	
20	Bolt, 1/4-20 x 1 3/4" Hex Head	F05005-4	8	
21	Washer, 1/4" SAE Flat	F05011-11	16	
	Washer, 5/8" SAE Flat	F05011-5 ²	4	
22	Nut, 1/4-20 Hex Nylon Lock	F05010-69	8	
	Instruction Sheet, Stainless Steel Side Support Guard Retro	016798-1005	1	

¹ Oversized Washer 014632 replaces 1/2" SAE Flat Washer F05011-2 to provide larger clamping area during adjustment (Rev. J7.02).

² Additional 5/8" SAE Flat Washer F05011-5 may be required on each side of side support to provide clearance for optional stainless steel side support guards. Extra washers are included in the stainless steel guard retrofit kit (016798).

³ Longer bolt replaces 3 1/2" F05009-93 used before 3/07.

8.10 Safety Chain Assembly

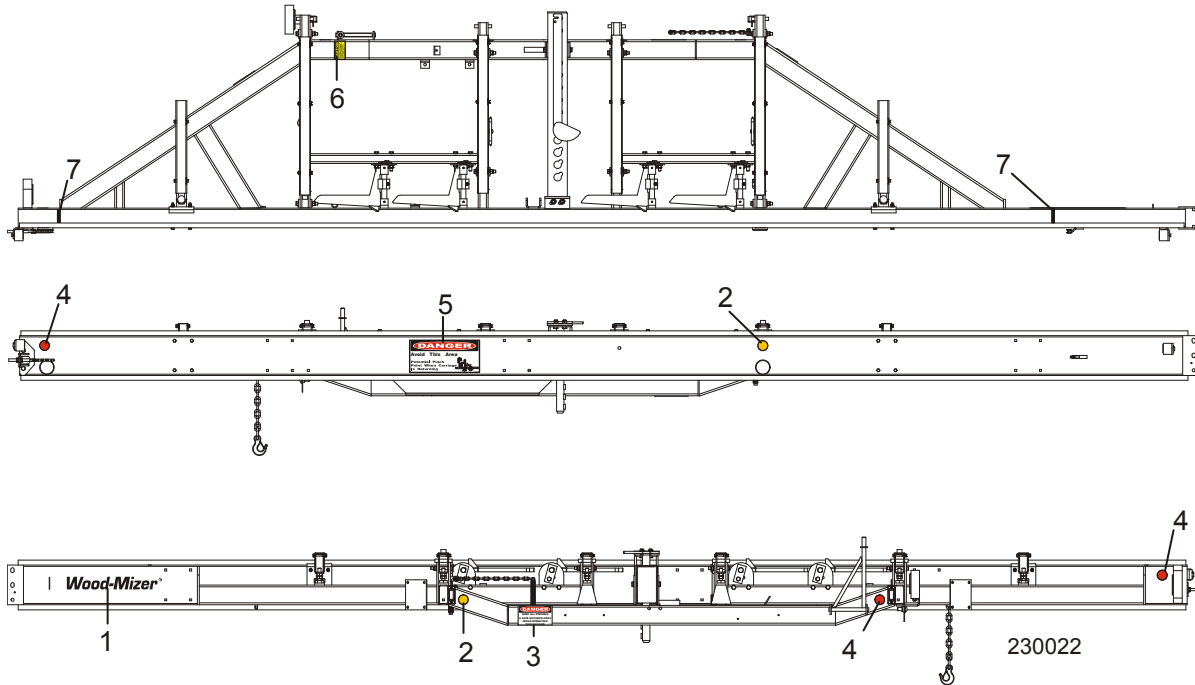


REF	DESCRIPTION (◆ Indicates Parts Available In Assemblies Only)	PART #	QTY.	
	CHAIN ASSEMBLY, TIE DOWN	A04376	1	
1	Hook, 5/8" Safety Chain	P12075	1	◆
2	Cold Shut, 3/8" Plain	P04772-2	1	◆
3	Chain, 5/16" Unplated	R02111	.938 ft.	◆

8 Bed Frame Assembly

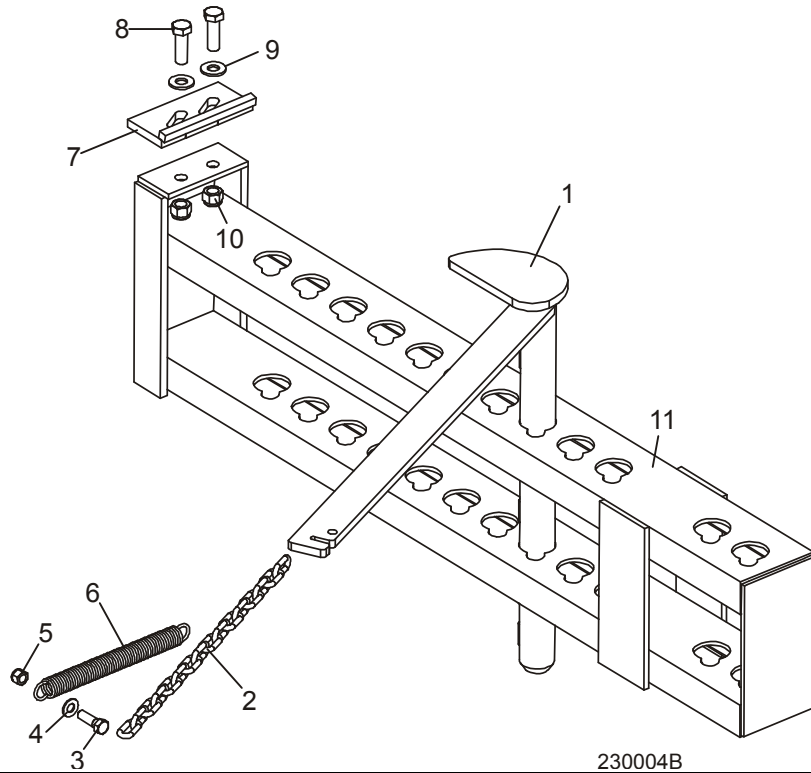
Bed Frame Decals

8.11 Bed Frame Decals



REF	DESCRIPTION (◆ Indicates Parts Available In Assemblies Only)	PART #	QTY.
1	DECAL, WOOD-MIZER SUPER LOGO	014751	1
2	DECAL, AMBER REFLECTIVE 2" ROUND	P07453	2
3	DECAL, KEEP AWAY DANGER	S09851	1
4	DECAL, RED REFLECTIVE 2" ROUND	P07452	3
5	DECAL, PINCH POINT DANGER	P10287	1
6	DECAL, SAW HEAD REST CAUTION	S12581	1
7	DECAL, LOG LIMIT STRIPE	S12051	2

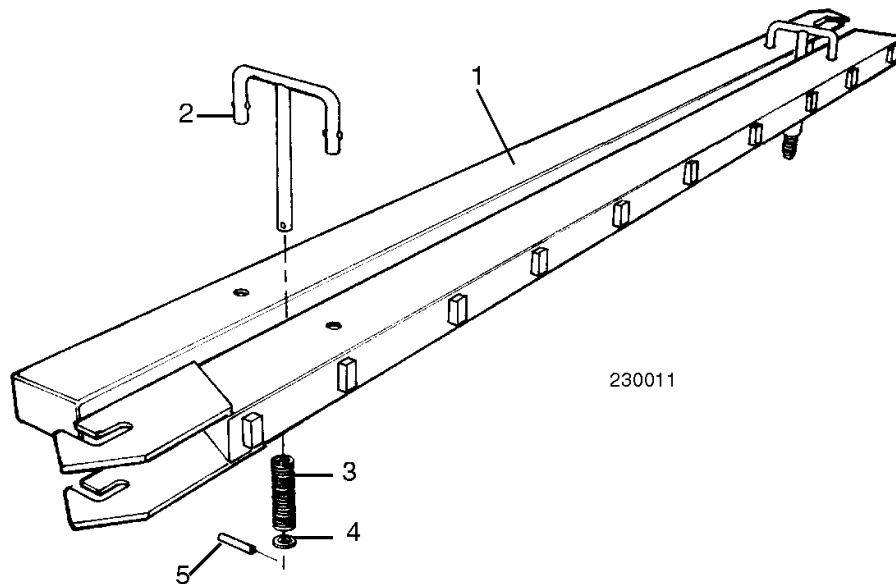
8.12 Log Clamp



230004B

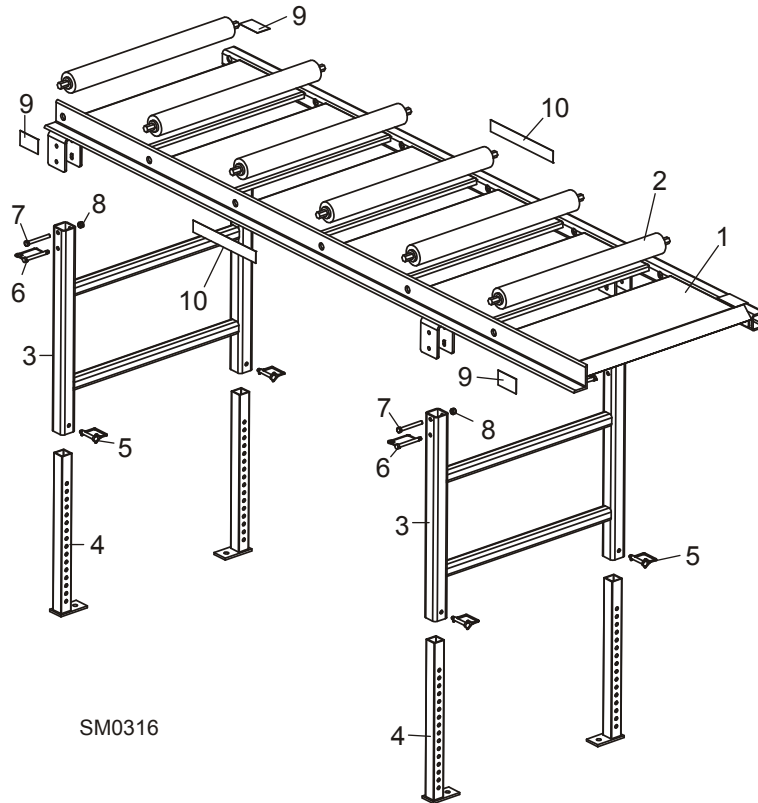
REF	DESCRIPTION (◆ Indicates Parts Available In Assemblies Only)	PART #	QTY.
1	CLAMP, LOG	W09412	1
2	CHAIN, LOG CLAMP	M04311	1
3	BOLT, 3/8-16 X 1 1/4" HEX HEAD GRADE 2	F05007-2	1
4	WASHER, 3/8" STANDARD FLAT	F05011-3	2
5	NUT, 3/8-16 HEX NYLON LOCK	F05010-10	1
6	SPRING, LOG CLAMP CHAIN	P09136	1
7	PLATE, LOG CLAMP STOP	W09404	1
8	BOLT, 1/2-13 X 1 1/2" HEX HEAD GRADE 5	F05008-33	2
9	WASHER, 1/2" SAE FLAT	F05011-2	2
10	NUT, 1/2-13 HEX NYLON LOCK	F05010-8	2
11	CHANNEL WELDMENT, MANUAL LOG CLAMP	W09310	1

8.13 Log Loading Ramps



REF	DESCRIPTION (◆ INDICATES PARTS AVAILABLE IN ASSEMBLIES ONLY)	PART #	QTY.	
	RAMP KIT, LOG LOADING WITH RETAINERS	K09466	1	
1	Ramp, Log Loading	W09014	2	
	Retainer Kit, Log Ramp	K09810	2	
2	Retainer, Log Ramp	W09413	1	◆
3	Spring, Log Ram Retainer	P09335	1	
4	Washer, 5/8" I.D. x .100" Thick Nylon	F05011-19	1	
5	Pin, 3/16" x 1" Roll	F05012-11	1	

8.14 Board Outfeed Table (Optional)



REF	DESCRIPTION (◆ Indicates Parts Available In Assemblies Only)	PART #	QTY.
	TABLE ASSEMBLY, BOARD OUTFEED	016652	1
1	Table Weldment, Board Outfeed	016606	1
2	Roller, 2 1/2" x 25"	038167	6
3	Mount Weldment, Outfeed Table Leg	016609	2
4	Leg Weldment, Outfeed Table	016651	4
5	Pin, 3/8" x 2 1/4" Square Wire Lock	014151	4
6	Pin, Snap - Coil Tension	016677	4
7	Bolt, 3/8-16 x 3 1/4" Hex Head	F05007-135	4
8	Nut, 3/8-16 Hex Nylon Lock	F05010-10	4
9	Decal, Hand Pinch Point Warning	S12641	4
10	Decal, 1 1/2" Wood-Mizer Logo	016991	2

SECTION 9 MISCELLANEOUS

9.1 Replacement Manuals

REF	DESCRIPTION (◆ Indicates Parts Available In Assemblies Only)	PART #	QTY.
Wood-Mizer Product Information			
1	ALL-PRODUCTS CATALOG	PS750	1
Basic Sawmill Manuals			
2	TRU-SHARP BLADE HANDBOOK	M600	1
3	WOOD-MIZER GENERAL INFORMATION	M601	1
4	LT30/LT40 SUPER OPERATOR'S MANUAL	M1185	1
5	LT30/LT40 SUPER PARTS MANUAL	M1174	1
Power Option Manuals			
6	E25 MOTOR OPTION MANUAL	M772	1
7	D42 ENGINE OPTION MANUAL	M917	1
8	D47 ENGINE OPTION MANUAL	M1584	1
9	D51 ENGINE OPTION MANUAL	M1163	1
10	KUBOTA OPERATOR'S MANUAL	028555	1
11	KUBOTA SERVICE MANUAL	028566	1
12	KUBOTA PARTS MANUAL (1505TE)	028565	1
13	G36 ENGINE OPTION MANUAL	M974	1
14	NISSAN ENGINE SERVICE MANUAL		1
15	NISSAN ENGINE PARTS MANUAL		1
Trailer Option Manuals			
16	ELECTRIC BRAKE TRAILER OPTION	M796	1
17	SURGE BRAKE TRAILER OPTION	M794	1
Miscellaneous Option Manuals			
18	MANUAL WINCH OPTION MANUAL	M619-23	1
19	LOG TURNER OPTION MANUAL	M620	1
20	MANUAL TOE BOARD OPTION MANUAL	M627	1
21	SHINGLE/LAPSIDER OPTION MANUAL	M621	1
22	OPERATOR'S SEAT OPTION MANUAL	M613	1
23	RESAW ATTACHMENT OPTION MANUAL	M263	1
24	BED EXTENSION OPTION MANUAL	M294	1
25	MKII DEBARKER ATTACHMENT OPTION MANUAL	M546	1
26	ACCUSET 2 OPTION MANUAL	M1517	1
27	ACCUSET OPTION MANUAL	M987	1
28	LASER SIGHT OPTION MANUAL	M679	1
29	AUTOCLUTCH OPTION MANUAL	M883	1
30	LUBE-MIZER OPTION MANUAL	M885	1
31	LATHE-MIZER OPTION MANUAL	M1337	1
Electrical Diagrams			
32	G36 SUPER ELECTRICAL INFORMATION	M978	1
33	E25 ELECTRICAL INFORMATION	M863	1

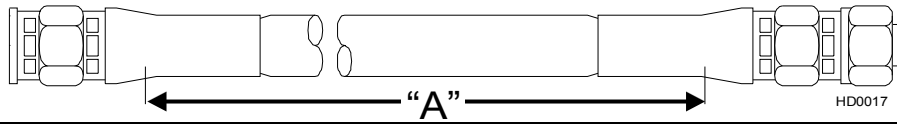
34	D42 ELECTRICAL INFORMATION	M919	1
35	D47 ELECTRICAL INFORMATION	M1585	1
36	D51 ELECTRICAL INFORMATION	M1164	1

10 Hydraulic Log Loader (Optional)

Hydraulic Hoses

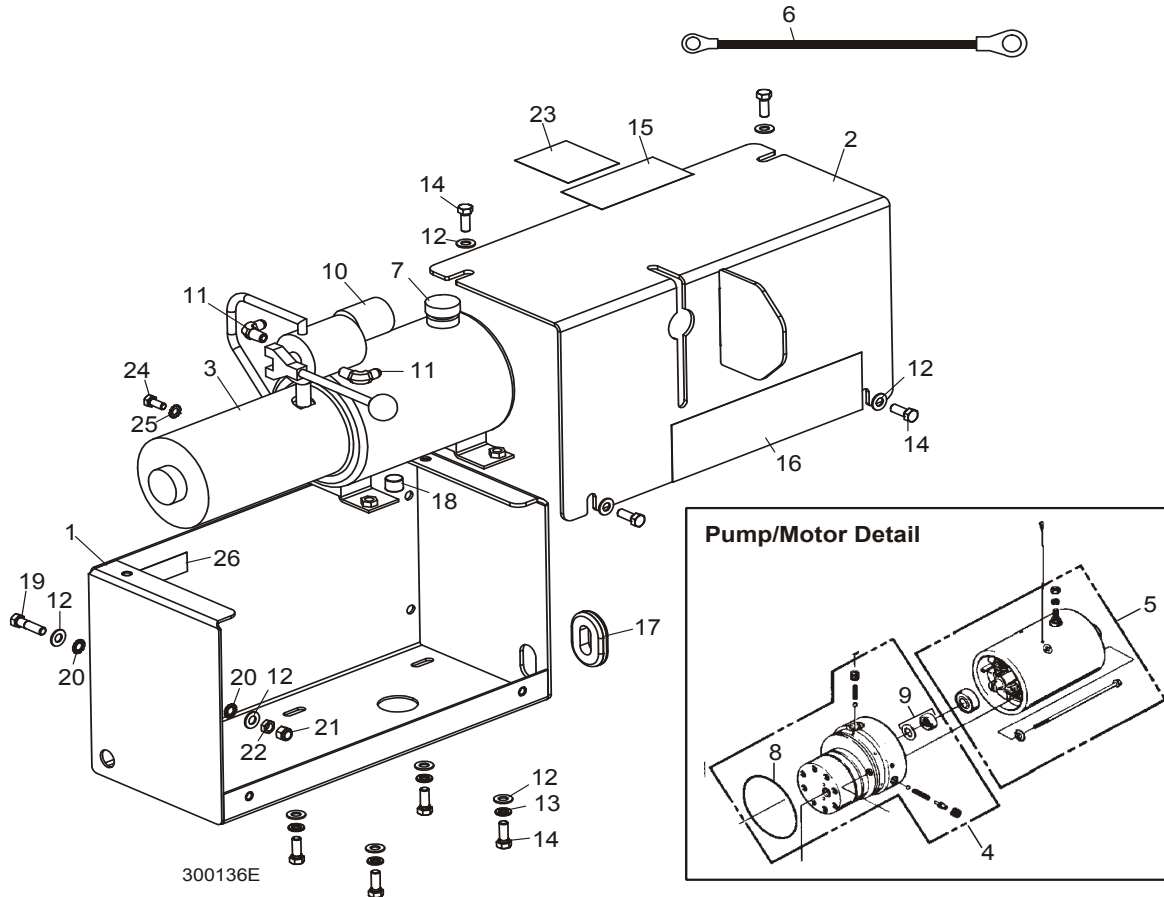
SECTION 10 HYDRAULIC LOG LOADER (OPTIONAL)

10.1 Hydraulic Hoses



COLOR	LENGTH "A"	DESCRIPTION	PART #	QTY.
Green	62"	LOADING ARM BRANCH TOP	018020	2
Yellow	64"	LOADING ARM BRANCH BASE	018021	2
Blue	164"	LOADING ARM TOP	P12548	1
Red	164"	LOADING ARM BOTTOM	P12548	1

10.2 Hydraulic Loader Control Box



REF	DESCRIPTION (◆ Indicates Parts Available In Assemblies Only)	PART #	QTY.	
	BOX ASSEMBLY, HYDRAULIC LOG LOADER CONTROL	048380	1	
1	Box Weldment, Hydraulic Loader Control	048381	1	
2	Cover Weldment, Hydraulic Loader Control	048387	1	
3	Pump Assembly, Hydraulic Loader w/Motor #M-310	048386	1	
4	Pump, Hydraulic Replacement Monarch Model #12070	016199	1	
	Motor Kit, Hydraulic Replacement	052807	1	
5	Motor, 12 VDC Hydraulic Pump #08714 (Iskra)	038683 ¹	1	◆
	Brush Kit, 4-Valve Hydraulic Pump Motor #08658-I (Iskra)	038682 ¹	1	
	Brush Kit, 4-Valve Hydraulic Pump Motor #08658 (Bosch)	P09585 ¹	1	◆
	Bearing, Base Motor #02318	P12513	1	
6	Wire Assembly, Motor Brush Ground	052806 ²	1	
7	Cap, Hydraulic Pump Vented Fill #03171	P12817	1	
8	O-Ring, Hydraulic Pump/Reservoir #02352	P10198	1	
9	Seal, Hydraulic Pump/Motor #02330	P10315	1	

10

Hydraulic Log Loader (Optional)

Hydraulic Loader Control Box

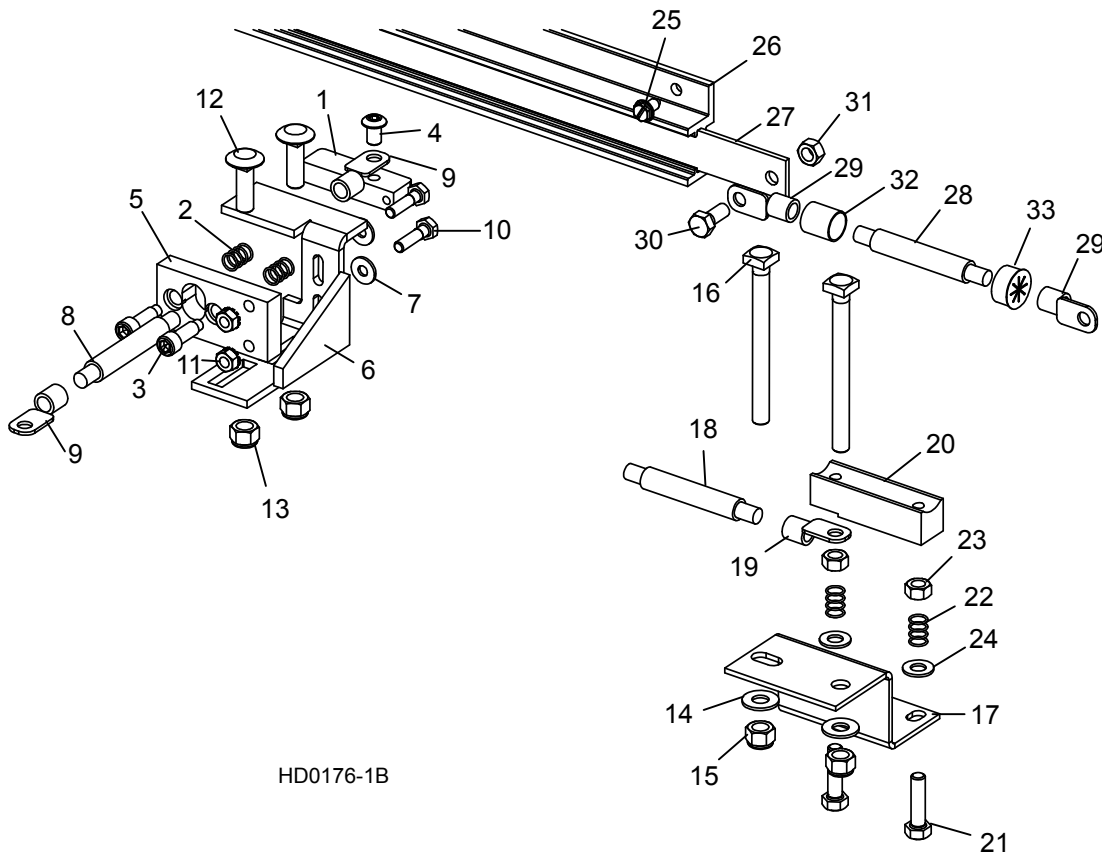
10	Valve Assembly, 4-Way Monarch #00524	P10143	1	
11	Electrical Parts Kit, Hydraulic Pump Valve #03721	P09593	1	
12	Spring, Hydraulic Pump Valve Contact #99188	P09846	1	
13	O-ring, Hydraulic Pump Valve Cover #02354	P09592	1	
14	Handle Assembly, Hydraulic Pump Valve #00172	P09594	1	
15	Spring, Hydraulic Pump Valve Handle #00018	P09753	1	
16	Solenoid, 12 VDC 3 Post Insulated Ground #3301	P09595	1	
17	Fitting, 1/4" NPT x 1/4" JIC Male Elbow	P09142	2	
18	Washer, 3/8" SAE Flat	F05011-3	10	
19	Washer, 3/8" Split Lock	F05011-4	4	
20	Bolt, 3/8-16 X 1" Hex Head Grade 5	F05007-87	8	
21	Decal, Keep Away Hydraulic Warning	P12961	1	
22	Decal, Hydraulic Logo	036720	1	
23	Grommet, 1" x 1 3/4" Oval Rubber	085613	1	
24	Fitting, 1/2" NPT Plug	P26258	1	
25	Bolt, 3/8-16 x 1 1/2" Hex Head Grade 5	F05007-78	1	
26	Washer, 3/8" External Star Lock	F05011-36	2	
27	Nut, 3/8-16 Hex Nylon Lock	F05010-10	1	
28	Nut, 3/8-16 Hex Jam	F05010-29	1	
29	Decal, Hydraulic Loader Option Warning	052213	1	
30	Bolt, 5/16-18 x 3/4" Hex Head	F05006-5	1	
31	Washer, 5/16" External Star Lock	F05011-33	1	
32	Decal, Hydraulic Fluid	S12825	1	
33	GROMMET, 5/8" ID RUBBER	P11764	1	
	FLUID, 1-QUART DEXRON III HYDRAULIC	P12742	2 1/4 gal.	
	FLUID, 1-GALLON CONOCO MV32	006397 ³	2 1/4 gal.	
	FLUID, 1-GALLON EXXON UNIVIS HVI 13 HYDRAULIC	P12822	2 1/4 gal.	

¹ Bosch motor P09955 replaced by vendor with Iskra motor 1/06. Brush kit P09585 no longer available to service Bosch motor. Replace motor using kit 05280. Use Brush Kit 038682 to service Iskra motor.

² Brush Ground Wire 052806 added 7/06 to improve ground connection. Kit 052805 to be supplied to all customers who purchased sawmills with Iskra pump motors after 1/06. Kit includes wire, hardware and instructions.

³ Conoco MV32 Fluid 006397 replaces Univis HVI 26 Fluid P12823 used prior to 1/08. Fluids are interchangeable.

10.3 Hydraulic Power Supply Strip



REF	DESCRIPTION (◆ Indicates Parts Available In Assemblies Only)	PART #	QTY.	
	CONTACT ASSEMBLY, HYDRAULIC POWER SUPPLY (POSITIVE)	036721	1	
	Contact Kit, 97+ Hydraulic Power Supply Positive	007716	1	
1	Contact, Hydraulic Power Supply (Positive)	015253	1	
2	Spring, Positive Contact	P10077	2	
3	Bolt, 5/16" X 3/4" Shoulder (1/4-20 Thread) Stainless	F05006-143 ¹	2	
4	Bolt, 5/16-18 x 1/2" Socket Button Head	F05006-20	1	
5	Insulator, Positive Contact	S10072	1	
6	Bracket, Positive Contact Mounting	015324	1	
7	Washer, 1/4" SAE Flat	F05011-11	2	
	Cable Assy, Hydraulic Positive Contact	N/A	1	
8	Cable, #1 Weld	R01971	1.71 Ft	◆
9	Terminal, 5/16" Ring #2 Gauge	F05092-16	2	
10	Bolt, 1/4-20 X 1" Hex Head Grade 2	F05005-38	2	
11	Nut, 1/4-20 Hex Self-Locking	F05010-9	2	
12	Bolt, 3/8-16 X 1 1/4" Carriage Head	F05007-11	2	

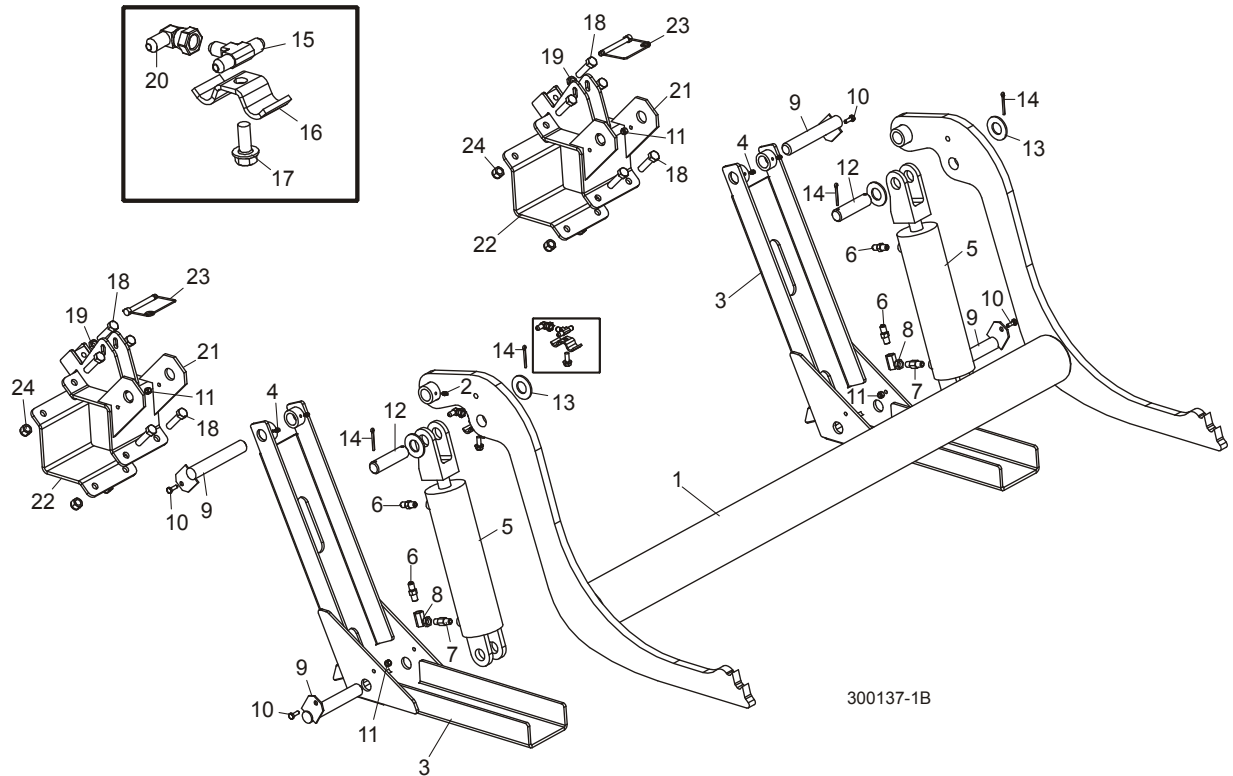
10 Hydraulic Log Loader (Optional)

Hydraulic Power Supply Strip

13	Nut, 3/8-16 Hex Nylon Lock	F05010-10	2	
	CONTACT KIT, HYDRAULIC POWER SUPPLY (GROUND)	010104	1	
14	Washer, 3/8" SAE Flat	F05011-3	2	
15	Nut, 3/8-16 Hex Nylon Lock	F05010-10	2	
16	Bolt, 3/8-16 X 4" Square Head	F05007-175	2	
17	Bracket, Ground Contact Mounting	016792	1	
18	Cable Assy, Hydraulic Negative Contact (Ground) #1 Weld	036306	1	
	Cable, #1 Weld	R01971	2.2 Ft	◆
19	Terminal, 5/16" Ring #2 Gauge	F05092-16	2	
	Contact Kit, Hydraulic Power Supply Ground	007717	1	
20	Contact, Hydraulic Power Supply (Ground)	015264	1	
21	Bolt, 5/16-18 X 1 1/4" Hex Head Full Thread Grade 5	F05006-93	2	
22	Spring, Ground Contact	P10077	2	
23	Nut, 5/16-18 Hex	F05010-17	2	
24	Washer, 5/16" SAE Flat	F05011-17	2	
	STRIP ASSEMBLY, 6' HYDRAULIC POWER SUPPLY W/3 FT. CABLE	A11977	1	
25	Screw, 1/4-20 X 1/2" Slotted Hex Head	F05015-1	8	
26	Housing, 6' Contact Strip	P11976	1	
	Strip, 6' Contact With Cable	A12043-N	1	
27	Strip, 6' Contact	S10075	1	◆
28	Cable Assembly, Hydraulic Contact Strip	052161	1	
	Cable, #1 Weld	R01971	3 Ft	◆
29	Terminal, 5/16" Ring #2 Gauge	F05092-16	2	
30	Bolt, 5/16-18 X 3/4" Hex Head Black Nylon	F05006-45	1	
31	Nut, 5/16-18 Hex Black Nylon	F05010-86	1	
32	Tube, 5/8" Heat Shrink	R01950-5	Ft	◆
33	Grommet, 5/8" Wire	P04137	1	

¹ Stainless Steel Bolt F05006-143 replaces F05006-44 to prevent corrosion (Rev. J7.02).

10.4 Hydraulic Log Loader (Optional)



REF	DESCRIPTION (◆ Indicates Parts Available In Assemblies Only)	PART #	QTY.	
	LOADER KIT, HYDRAULIC LOG (MANUAL SAWMILL OPTION)	LTHDLA-M	1	
1	Arm, Hydraulic Log Loading	036722	1	
2	Fitting, 3/16" Grease	P04107	2	
3	Channel, Hydraulic Log Loading Foot	W09444	2	
4	Fitting, 3/16" Grease	P04107	4	
	Cylinder Assembly, Hydraulic Log Loading Arm	A09284	2	◆
5	Cylinder, 8" X 3" Hydraulic	P12847	1	
	Seal Kit, 8" x 3" Hydraulic Cylinder	P12956	1	
6	Fitting, C5205x4x4 Male Connector	P09143	2	
7	Fitting, 0455x4x4 90° Swivel Elbow	P12199	1	
	Fitting Kit, 1/4NPT 5.0GPM Velocity Fuse	015832	1	
8	Fitting, 1/4NPT 5.0GPM Velocity Fuse	015750	2	◆
	Instruction Sheet, Velocity Fuse Replacement	015832-255	1	
9	Pin, Loading Arm Mount	W09446	4	
10	Bolt, 1/4-20 x 3/4" Hex Head Full Thread	F05005-1	4	
11	Nut, 1/4-20 Hex Lock	F05010-69	4	
12	Pin, Loading Arm Cylinder Mount	S09251	2	

10

Hydraulic Log Loader (Optional)

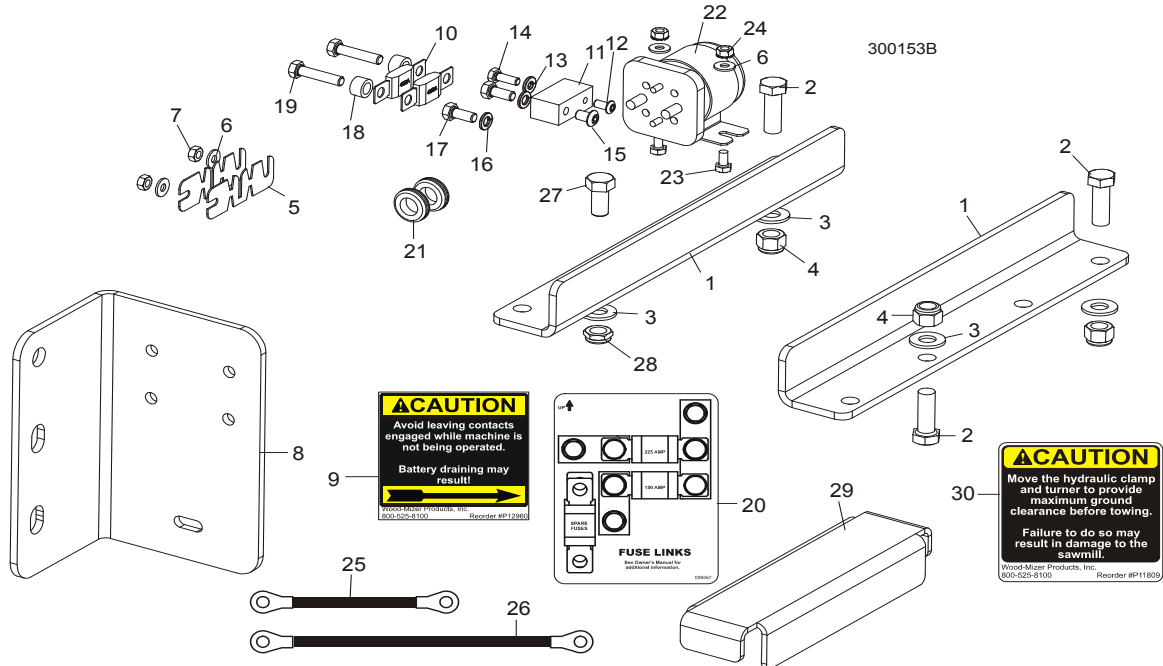
Hydraulic Log Loader (Optional)

13	Washer, 1" SAE Flat	F05011-28	4	
14	Pin, 3/16" X 1 1/2" Cotter	F05012-23	4	
15	Fitting, C5705x5x4 Union 'T'	P09145	2	
16	Clamp, 1/4" Hydraulic Hose	S09245	4	
17	Bolt, 5/16-18 X 3/4" Hex Head Grade 5	F05006-102 ¹	4	
18	BOLT, 1/2-13 X 2" HEX HEAD FULL THREAD GRADE 5	F05008-116	10	
19	NUT, 1/2-13 JAM	F05010-31	2	
20	FITTING, 1/4" JIC X 1/4" JIC ELBOW	036715	2	
21	MOUNT WELDMENT, LOADER ARM	048270	2	
22	PLATE WELDMENT, LOADER ARM MOUNT	036737	2	
23	PIN ASSEMBLY, 3/8" X 3" WIRE LOCK	038472 ²	2	
24	NUT, 1/2-13 HEX NYLON LOCK	F05010-8	8	

¹ Grade 5 Hex Head Bolt F05006-102 replaces self-tapping bolt F05006-30 to eliminate shearing of bolts head (4/08).

² Replaces 3/8" X 2 1/4" Square Wire Lock Pin (014151) to eliminate interference between the locking plates and the hydraulic cylinders (Manual Mill Loading Arm Kit Rev. A2.00; 9/05).

10.5 Miscellaneous Loader Parts



REF	DESCRIPTION (◆ Indicates Parts Available In Assemblies Only)	PART #	QTY.
1	PLATE, AXLE MOUNT	048269	2
2	BOLT, 1/2-13 X 1 1/2" HEX HEAD GRADE 5	F05008-33	4
3	WASHER, 1/2" SAE FLAT	F05011-2	4
4	NUT, 1/2" HEX NYLON LOCK	F05010-8	4
5	FUSE, 225A 12V	P11550	2
6	WASHER, 1/4" SAE FLAT	F05011-11	2
7	NUT, 1/4-20 HEX LOCK	F05010-21 ¹	2
8	BRACKET, WINCH MOUNT	048426	1
9	DECAL, HYDRAULIC CONTACT CAUTION	P12960	1
10	FUSE, 225A 32V MEGA	053339	1
11	BLOCK, 3/4" LOWER FUSE	056998	1
12	SCREW, 1/4-20 X 1/2" SOCKET BUTTON HEAD	F05005-59	1
13	WASHER, 1/4" SPLIT LOCK	F05011-14	1
14	BOLT, 1/4-20 X 3/4" HEX HEAD GRADE 5	F05005-123	1
15	SCREW, 5/16-18 X 1/2" SOCKET BUTTON HEAD	F05006-20	1
16	WASHER, 5/16" SPLIT LOCK	F05011-13	2
17	BOLT, 5/16-18 X 3/4" HEX HEAD GRADE 5	F05006-102	2
18	SPACER, .39" X .625" X .39"	055323	2
19	BOLT, 5/16-18 X 1 1/2" HEX HEAD FULL THREAD	F05006-2	2

¹ Swaged lock nut F05010-21 replaces Nylon Lock Nut F05010-69 originally supplied prior to 7/08. Heat from the fuses can cause the nylon to melt and the nut to come loose.

INDEX

B

battery box 5-15, 5-17

bed rails

front/rear 8-1, 8-3

middle front 8-5

middle rear 8-6

pivot 8-13

blade guide arm 2-21, 2-22

drive 2-19

blade guides

drive side roller 2-10, 2-13, 2-16

idle side roller 2-1, 2-4, 2-7

throat screw 4-1

blade tensioner 3-4

blade wheels

drive side 3-1

idle side 3-3

board return 4-21

board return table 8-10, 8-11

brake assembly 4-8

C

clutch lever 4-3

clutch mount 4-7

control box 5-1, 5-4

circuit breakers 5-8, 5-9

drum switches 5-7

front panel & harnesses 5-11, 5-13

solenoids 5-10

covers

blade housing 4-14

drive belt 4-16, 4-17

D

debarker wire box/hole plugs 4-20

decals

frame 8-18

saw head 4-11, 4-12, 4-13

F

feed chain 7-5, 7-6

H

hydraulic

control box 10-2

hoses 10-1

loader misc. 10-8

log loader 10-6

power strip 10-4

L

legs

stationary 8-8

log clamp 8-19

log loading ramps 8-20

M

manuals 9-1

O

outfeed table option 8-21

P

parts list
 how to use 1-1

power feed 7-3

S

sawdust chute 4-19

side supports 8-15

T

track rollers
 lower 7-7
 upper 7-1

U

up/down
 blade scales 6-2, 6-4
 chain & sprockets 6-6
 drive 6-9
 motor 6-8
 saw head mount 6-1

W

water lube
 bottle/tray 4-9
 valve 4-2