



Wood-Mizer[®] Sawmill

Parts Manual

LT30HD
LT40HD

rev. J7.01 - K3.03
rev. J8.01 - K5.03



Safety is our #1 concern! Read and understand all safety information and instructions before operating, setting up or maintaining this machine.

January 2008

Form #1171

Table of Contents

Section-Page

SECTION 1	GENERAL INFORMATION	1-1
1.1	How To Use The Parts List	1-1
1.2	Sample Assembly	1-1
SECTION 2	BLADE GUIDE ROLLERS & ARM	2-1
2.1	Blade Guide Assembly, Idle Side.....	2-1
	<i>LT30HD Rev. K1.03 - K3.03</i>	
	<i>LT40HD Rev. K3.01 - K5.03</i>	
2.2	Blade Guide Assembly, Idle Side.....	2-4
	<i>LT30HD Rev. K1.00 - K1.02</i>	
	<i>LT40HD Rev. K2.00 - K3.00</i>	
2.3	Blade Guide Assembly, Idle Side.....	2-7
	<i>LT30HD Rev. J7.01 - J9.02</i>	
	<i>LT40HD Rev. J8.01 - K1.04</i>	
2.4	Blade Guide Assembly, Drive Side.....	2-10
	<i>LT30HD Rev. K1.03 - K3.03</i>	
	<i>LT40HD Rev. K3.01 - K5.03</i>	
2.5	Blade Guide Assembly, Drive Side.....	2-13
	<i>LT30HD Rev. K1.00 - K1.02</i>	
	<i>LT40HD Rev. K2.00 - K3.00</i>	
2.6	Blade Guide Assembly, Drive Side.....	2-16
	<i>LT30HD Rev. J7.01 - J9.02</i>	
	<i>LT40HD Rev. J8.01 - K1.04</i>	
2.7	Blade Guide Arm Drive Assembly.....	2-19
2.8	Blade Guide Arm.....	2-21
	<i>LT30HD Rev. K1.03 - K3.03</i>	
	<i>LT40HD Rev. K3.01 - K5.03</i>	
2.9	Blade Guide Arm.....	2-22
	<i>LT30HD Rev. J7.01 - K1.02</i>	
	<i>LT40HD Rev. J8.01 - K3.00</i>	
SECTION 3	BLADE WHEELS & TENSIONER	3-1
3.1	Blade Drive Assembly.....	3-1
	<i>LT30HD D33/D34/D35/D36</i>	
	<i>LT40HD D33/D34/D35/D36/G38</i>	
	<i>LT30HD G36</i>	
	<i>LT40HD G36</i>	
3.2	Blade Drive Assembly.....	3-3
	<i>LT30HD G25/G28</i>	
	<i>LT40HD G25/G28</i>	
3.3	Idle Blade Wheel Assembly	3-5
3.4	Hydraulic Blade Tensioner Assembly.....	3-6
SECTION 4	SAW HEAD	4-1
4.1	Middle Throat Screw	4-1
4.2	Clutch/Brake Lever Assembly (D33/D34/D35/D36/G36/G38).....	4-2
4.3	Clutch/Brake Lever Assembly (G28/G25).....	4-4

Table of Contents

Section-Page

4.4	Clutch Mount Assembly.....	4-6
4.5	Brake Assembly.....	4-7
4.6	Water Lube Assembly.....	4-8
4.7	Saw Head Decals.....	4-10
	<i>LT30HD</i> <i>Rev. K1.02 (1/08+) - K3.03</i>	
	<i>LT40HD</i> <i>Rev. K3.00 (1/08+) - K5.03</i>	
4.8	Saw Head Decals.....	4-11
	<i>LT30HD</i> <i>Rev. K1.00 (1/07) - K1.02 (12/07)</i>	
	<i>LT40HD</i> <i>Rev. K2.00 (1/07) - K3.00 (12/07)</i>	
4.9	Saw Head Decals.....	4-13
	<i>LT30HD</i> <i>Rev. J7.01 - K1.00 (12/06)</i>	
	<i>LT40HD</i> <i>Rev. J8.01 - K2.00 (12/06)</i>	
4.10	Blade Housing Covers.....	4-14
4.11	Drive Belt Covers.....	4-16
	<i>LT30HD</i> <i>Rev. K1.03 - K3.03</i>	
	<i>LT40HD</i> <i>Rev. K3.01 - K5.03</i>	
4.12	Drive Belt Covers.....	4-17
	<i>LT30HD</i> <i>Rev. J7.01 - K1.02</i>	
	<i>LT40HD</i> <i>Rev. J8.01 - K3.00</i>	
4.13	Sawdust Chute.....	4-18
4.14	Debarker Wire Box/Hole Plugs.....	4-19
4.15	Board Return Assembly (Optional).....	4-20
	<i>LT30HD</i> <i>Rev. K1.01 - K3.03</i>	
	<i>LT40HD</i> <i>Rev. K2.01 - K5.03</i>	
4.16	Board Return (Optional).....	4-22
	<i>LT30HD</i> <i>Rev. J7.01 - K1.00</i>	
	<i>LT40HD</i> <i>Rev. J8.01 - K2.00</i>	

SECTION 5 CONTROL & BATTERY BOXES

5-1

5.1	Control Assembly.....	5-1
5.2	Drum Switches.....	5-4
5.3	Circuit Breakers.....	5-5
	<i>LT30HD</i> <i>Rev. K1.00 - K3.03</i>	
	<i>LT40HD</i> <i>Rev. K2.00 - K5.03</i>	
5.4	Circuit Breakers.....	5-6
	<i>LT30HD</i> <i>Rev. J7.01 - J9.02</i>	
	<i>LT40HD</i> <i>Rev. J8.01 - K1.04</i>	
5.5	Front Panel Assembly & Harnesses.....	5-7
5.6	Battery Box Assembly.....	5-9
	<i>LT30HD</i> <i>Rev. K3.00 - K3.03</i>	
	<i>LT40HD</i> <i>Rev. K5.00 - K5.03</i>	
5.7	Battery Box Assembly.....	5-11
	<i>LT30HD</i> <i>Rev. J7.01 - K2.01</i>	
	<i>LT40HD</i> <i>Rev. J8.01 - K4.01</i>	

Table of Contents

Section-Page

5.8	Fuse Box Assembly.....	5-13
	<i>LT30HD</i> <i>Rev. K3.00 - K3.03</i>	
	<i>LT40HD</i> <i>Rev. K5.00 - K5.03</i>	
5.9	Fuse Box Assembly.....	5-15
	<i>LT30HD</i> <i>Rev. J7.01 - K2.01</i>	
	<i>LT40HD</i> <i>Rev. J8.01 - K4.01</i>	
SECTION 6	UP/DOWN SYSTEM	6-1
6.1	Saw Head Mount.....	6-1
6.2	Blade Height & Quarter Scales	6-2
	<i>LT30HD</i> <i>Rev. J9.01 - K3.03</i>	
	<i>LT40HD</i> <i>Rev. K1.01 - K5.03</i>	
6.3	Blade Height & Quarter Scales	6-4
	<i>LT30HD</i> <i>Rev. J7.01 - J9.00</i>	
	<i>LT40HD</i> <i>Rev. J8.01 - K1.00</i>	
6.4	Up/Down Chain & Sprockets.....	6-6
6.5	Up/Down Assembly	6-8
	<i>LT30HD</i> <i>Rev. J9.00 - K3.03</i>	
	<i>LT40HD</i> <i>Rev. K1.00 - K5.03</i>	
6.6	Up/Down Assembly, G24/G25/G28	6-10
	<i>LT30HD</i> <i>Rev. J7.01 - J8.07</i>	
	<i>LT40HD</i> <i>Rev. J8.01 - J9.07</i>	
6.7	Up/Down Assembly, D33/D34/G36	6-12
	<i>LT30HD</i> <i>Rev. J7.01 - J8.07</i>	
	<i>LT40HD</i> <i>Rev. J8.01 - J9.07</i>	
SECTION 7	FEED SYSTEM & TRACK ROLLERS	7-1
7.1	Upper Track Rollers And Wipers.....	7-1
7.2	Power Feed Assembly	7-3
7.3	Feed Chain/Stop	7-5
	<i>LT30HD</i> <i>Rev. K2.00 - K3.03</i>	
	<i>LT40HD</i> <i>Rev. K4.00 - K5.03</i>	
7.4	Feed Chain/Stop	7-6
	<i>LT30HD</i> <i>Rev. J7.01 - K1.03</i>	
	<i>LT40HD</i> <i>Rev. J8.01 - K3.01</i>	
7.5	Lower Track Rollers.....	7-7

Table of Contents

Section-Page

SECTION 8	BED FRAME ASSEMBLY	8-1
8.1	Bed Rail Assembly, Front And Rear.....	8-1
	<i>LT30HD Rev. J9.02 - K3.03</i>	
	<i>LT40HD Rev. K1.04 - K5.03</i>	
8.2	Bed Rail Assembly, Front And Rear.....	8-3
	<i>LT30HD Rev. J7.01 - J9.01</i>	
	<i>LT40HD Rev. J8.01 - K1.03</i>	
8.3	Bed Rail Assembly, Middle Front.....	8-5
8.4	Bed Rail Assembly, Middle Rear.....	8-6
8.5	Leg Assembly (Stationary).....	8-8
8.6	Pivot Bed Rail Assembly.....	8-10
8.7	Log Side Support Assembly (Manual).....	8-12
8.8	Safety Chain Assembly.....	8-14
8.9	Saw Head Rest Pin Assembly.....	8-15
8.10	Bed Frame Decals.....	8-16
	<i>LT30HD Rev. K1.02 (1/08) - K3.03</i>	
	<i>LT40HD Rev. K3.00 (1/08) - K5.03</i>	
8.11	Bed Frame Decals.....	8-17
	<i>LT30HD Rev. J7.01 - K1.02 (12/07)</i>	
	<i>LT40HD Rev. J8.01 - K3.00 (12/07)</i>	
8.12	Board Return Table Assembly (Optional).....	8-18
	<i>LT30HD Rev. K1.01 - K3.03</i>	
	<i>LT40HD Rev. K2.01 - K5.03</i>	
8.13	Board Return Table Assembly (Optional).....	8-19
	<i>LT30HD Rev. J7.01 - K1.00</i>	
	<i>LT40HD Rev. J8.01 - K2.00</i>	
8.14	Board Outfeed Table (Optional).....	8-21
SECTION 9	MISCELLANEOUS	9-1
9.1	Replacement Manuals.....	9-1
SECTION 10	HYDRAULIC SYSTEM	10-1
10.1	Hydraulic Hoses.....	10-1
10.2	Hydraulic Control Box.....	10-3
10.3	Hydraulic Power Supply Strip.....	10-6
10.4	Hydraulic Log Loader.....	10-8
10.5	Hydraulic Log Turner.....	10-10
10.6	Hydraulic Log Side Supports (Front/Rear).....	10-12
10.7	Hydraulic Log Side Supports (Middle - Optional).....	10-14
10.8	Hydraulic Log Clamp.....	10-15
10.9	Hydraulic Toe Board.....	10-17
	INDEX	I

SECTION 1 GENERAL INFORMATION

1.1 How To Use The Parts List

- Use the table of contents or index to locate the assembly that contains the part you need.
- Go to the appropriate section and locate the part in the illustration.
- Use the number pointing to the part to locate the correct part number and description in the table.
- Parts shown indented under another part are included with that part.
- Parts marked with a diamond (◆) are only available in the assembly listed above the part.

See the sample table below. Sample Part #A01111 includes part F02222-2 and subassembly A03333. Subassembly A03333 includes part S04444-4 and subassembly K05555. The diamond (◆) indicates that S04444-4 is not available except in subassembly A03333. Subassembly K05555 includes parts M06666 and F07777-77. The diamond (◆) indicates M06666 is not available except in subassembly K05555.

1.2 Sample Assembly				
REF	DESCRIPTION (◆ Indicates Parts Available In Assemblies Only)	PART #	QTY.	
	SAMPLE ASSEMBLY, COMPLETE (INCLUDES ALL INDENTED PARTS BELOW)	A01111	1	
1	Sample Part	F02222-22	1	
	Sample Subassembly (Includes All Indented Parts Below)	A03333	1	
2	Sample Part (◆ Indicates Part Is Only Available With A03333)	S04444-4	1	◆
	Sample Subassembly (Includes All Indented Parts Below)	K05555	1	
3	Sample Part (◆ Indicates Part Is Only Available With K05555)	M06666	2	◆
4	Sample Part	F07777-77	1	

To Order Parts:

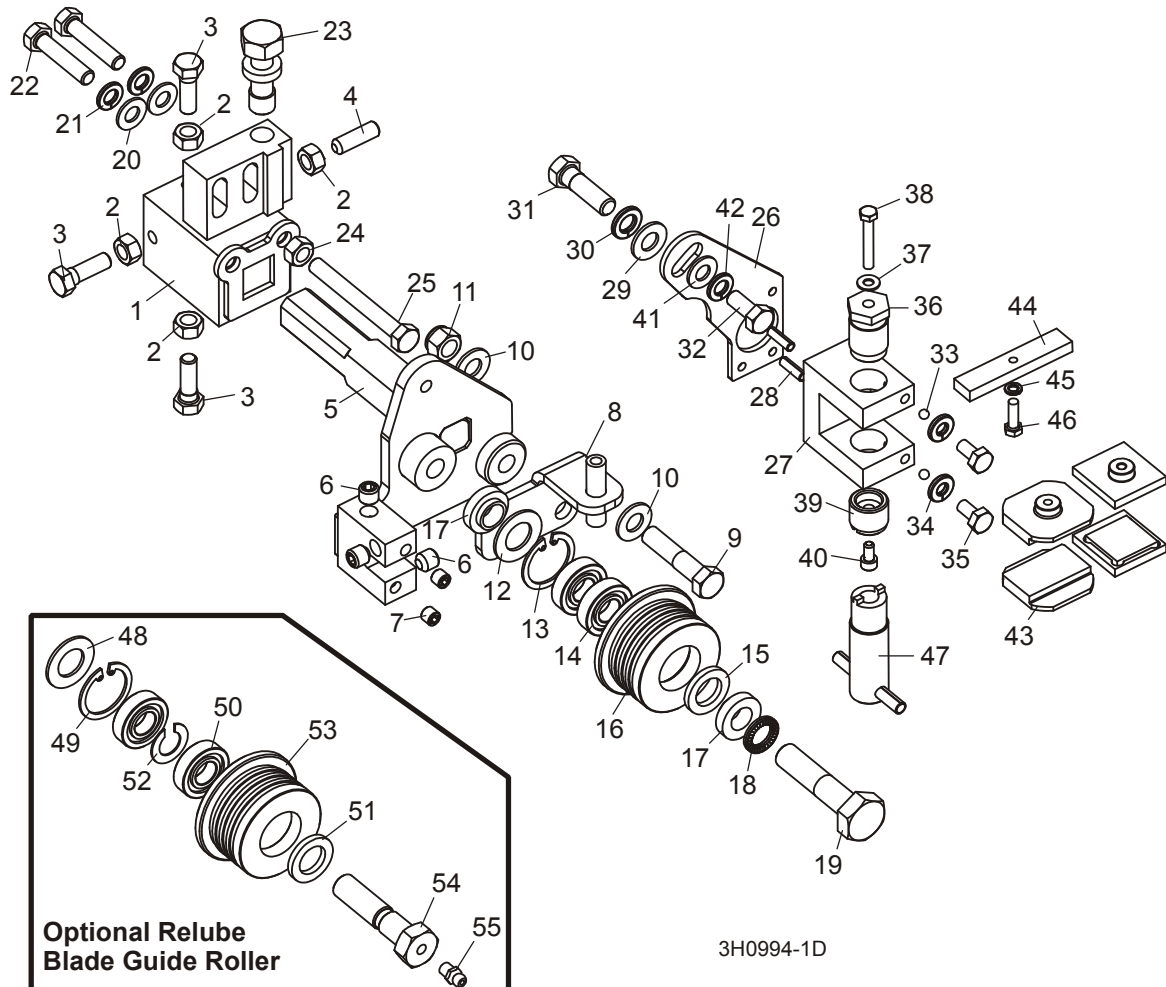
- From the continental U.S., call **1-800-525-8100** to order parts. Have your customer number, vehicle identification number, and part numbers ready when you call.
- From other international locations, contact the Wood-Mizer distributor in your area for parts.

SECTION 2 BLADE GUIDE ROLLERS & ARM

2.1 Blade Guide Assembly, Idle Side

LT30HD
LT40HD

Rev. K1.03 - K3.03
Rev. K3.01 - K5.03



REF	DESCRIPTION (◆ Indicates Parts Available In Assemblies Only)	PART #	QTY.
	GUIDE ASSEMBLY, IDLE SIDE BLADE ROLLER	003992	1
	Block Assembly, Idle Side Blade Guide Mount	003920	1
1	Block Weldment, Blade Guide Mount	003921	1 ◆
2	Nut, 5/16-18 Hex	F05010-17	4
3	Bolt, 5/16-18 x 1" Hex Head Stainless Steel	F05006-88	3
4	Screw, 5/16-18 x 1" Socket Head Flat Point Stainless Steel Set	F05006-122	1
5	Shaft Weldment, Idle Side Guide	003924 ¹	1
6	Fitting, 1/8" NPT Socket Pipe Plug	P30127	3

2

Blade Guide Rollers & Arm

Blade Guide Assembly, Idle Side

7	Fitting, 1/16" NPT Socket Pipe Plug	007734 ¹	2	
8	Bracket Weldment, Idle Side Water Lube	006322	1	
9	Bolt, 3/8-16UNF-2A x 1 3/4" Grade 5	F05007-119	1	
10	Washer, 3/8" SAE Flat	F05011-3	2	
11	Nut, 3/8-16 Hex Nylon Lock	F05010-10	1	
	Roller Assembly, Blade Guide (standard)	A04925	1	
	Bearing Kit, Blade Guide Rebuild	K07079	1	
12	Washer, 5/8" White Felt	P04252	1	
13	Ring, 1 1/8" Interior Retaining	F04254-1	1	
14	Bearing, R8-2RS Blade Guide	015975	2	◆
15	Washer, 5/8" Gray Felt	P06455	1	
	Screw, 1/4-28 x 1/4" Socket Head Cup Point Set Black Oxide	F05005-105	1	
	Instruction Sheet, Blade Guide Rebuild	057407-1507	1	
16	Roller, Flanged Blade Guide	S04250	1	◆
	Instruction Sheet, Blade Guide Roller Replacement	A04925-364	1	
17	Spacer, Blade Guide	S04253	2	
18	Washer, 1/2" Nord-Lock	F05011-125 ²	1	
19	Bolt, 1/2-13 x 2 1/4" Hex Head Grade 5	F05008-10	1	
20	Washer, 5/16" SAE Flat	F05011-17	2	
21	Washer, 5/16" Split Lock	F05011-13	2	
22	Bolt, 5/16-18 x 1 1/2" Hex Head	F05006-76	2	
23	Bolt, Blade Guide Vertical Adjustment	035656	1	
24	Nut, 5/16-18 Hex	F05010-17	1	
25	Bolt, 5/16-18 x 2 3/4" Hex Head Full Thread	F05006-136	1	
	GUIDE KIT, HIGH-PERFORMANCE BLADE GUIDE (OPTIONAL)	006325 ³	1	
	Block Assembly, Idle Side Blade Guide	003928	1	
26	Plate, Block Tilt Adjustment	003915	1	
27	Block, Guide Block Mount	003909	1	
28	Pin, 3/16" x 5/8" Roll	F05012-22	2	
29	Washer, 3/8" SAE Flat	F05011-3	1	
30	Washer, 3/8" Split Lock	F05011-4	1	
31	Bolt, 3/8-16 x 1 1/4" Hex Head Grade 5	F05007-123	1	
32	Bolt, 5/16-18 x 3/4" Hex Head w/Flat & Lock Washer	F05006-101	1	
33	Ball, 3/16" Dia. Nylon	003914	2	
34	Washer, 1/4" Split Lock	F05011-14	2	
35	Bolt, 1/4-20 x 1/2" Hex Head	F05005-15	2	
36	Bolt, Blade Guide Block Mount	003994	1	
37	Washer, #10 Brass	042867	1	
38	Bolt, #10-32 x 1 1/4" Hex Head Stainless Steel	F05004-240	1	
39	Screw, Lower Block Adjustment	044057	1	
40	Screw, #10-32 x 3/8" Socket Head Stainless Steel	F05004-200	1	
41	Washer, 5/16" SAE Flat	F05011-17	1	
42	Washer, 5/16" Split Lock	F05011-13	1	

43	Block, Blade Guide Wear (Standard for 1 1/4" Blades)	052355 ⁴	2	
	Block Assembly, 1" Sq. EZ-Glide Wear	036347 ⁴	2	
44	Block, Blade Guide Alignment	035799	1	
45	Washer, #10 Split Lock	F05011-20	1	
46	Screw, #10-32 x 5/8" Hex Head	F05004-152	1	
47	Adjustment Tool, Lower Guide Block	044064	1	
	Shim, .008" Blade Guide Block Spacer	035248	1	
Drive Side Blade Guide Parts (See Section 2.1)				
ROLLER ASSEMBLY, BLADE GUIDE RELUBE (OPTIONAL)		016568	1	
	Bearing Kit, Relube Blade Guide Rebuild	057407	1	
48	Washer, 5/8" White Felt	P04252	1	
49	Ring, 1 1/8" Interior Retaining	F04254-1	1	
50	Bearing, R8-2RS Blade Guide	015975 ⁵	2	◆
51	Washer, 5/8" Gray Felt	P06455	1	
52	Spacer, Blade Guide Bearing	035411	1	
	Instruction Sheet, Blade Guide Rebuild	057407-1507	1	
53	Roller, Flanged Blade Guide (Relube)	035426	1	◆
	Instruction Sheet, Blade Guide Roller Replacement	A04925-364	1	
54	BOLT, BLADE GUIDE ROLLER (RELUBE ONLY)	036161	1	
55	FITTING, 1/4-28 GREASE (RELUBE ONLY)	P05060	1	

¹ Shaft Weldment 003924 modified to provide more clearance for adjustment bolts and to prevent water leaks (LT30HD Rev. K3.03 & LT40HD Rev. K5.03). New shaft requires two 1/16" NPT Pipe Plugs 007734.

² Nord-Lock Washer F05011-125 replaced Split Lock Washer F05011-9 to prevent loosening due to vibration (LT30HD Rev. K3.03 & LT40HD Rev. K5.03).

³ High-Performance Blade Guide Kit requires LMS blade lube system. Use kit 006325 to upgrade both drive and idle side blade guides to High-Performance. If sawmill not already equipped with LMS, add kit LMS-A.

⁴ 052355 blocks for use with 1 1/4" blade provided as standard equipment. EZ-Glide blocks 036347 are available for customers who prefer this block.

⁵ Bearing must be modified for use with relube roller assemblies. Remove one seal from each bearing, place open sides facing each other and place spacer 035411 between bearings.

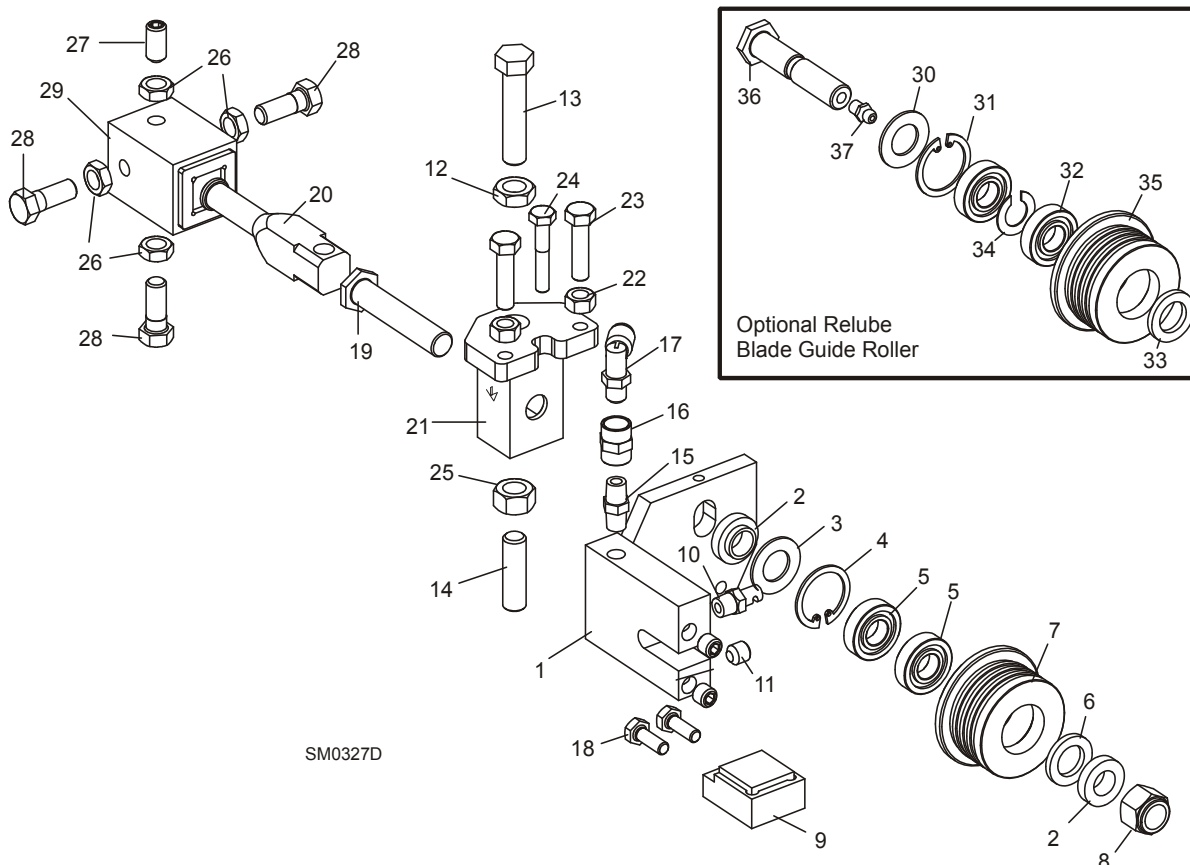
2 Blade Guide Rollers & Arm

Blade Guide Assembly, Idle Side

2.2 Blade Guide Assembly, Idle Side

LT30HD
LT40HD

Rev. K1.00 - K1.02
Rev. K2.00 - K3.00



REF	DESCRIPTION (◆ Indicates Parts Available In Assemblies Only)	PART #	QTY.
	ROLLER/BLOCK ASSEMBLY, IDLE SIDE (OUTER)	035405 ¹	1
1	Nozzle Block Weldment, Idle Side	035404	1
2	Spacer, .510 x .937 x .34	S04253	2
	Roller Assembly, Blade Guide (standard)	A04925 ²	1
	Bearing Kit, Blade Guide Rebuild	K07079	1
3	Washer, 5/8" White Felt	P04252	1
4	Ring, 1 1/8" Interior Retaining	F04254-1	1
5	Bearing, R8-2RS Blade Guide	015975	2
6	Washer, 5/8" Gray Felt	P06455	1
	Screw, 1/4-28 x 1/4" Socket Head Cup Point Set Black Oxide	F05005-105	1
	Instruction Sheet, Blade Guide Rebuild	057407-1507	1
7	Roller, Flanged Blade Guide	S04250	1
	Instruction Sheet, Blade Guide Roller Replacement	A04925-364	1

Blade Guide Rollers & Arm

Blade Guide Assembly, Idle Side

2

8	Nut, 1/2-20 Nylon Hex Lock	F05010-15	1	
9	Block Assembly, 1 1/4" Blade EZ-Glide Wear	036247 ³	1	
	Block, 1 1/4" Blade Guide Wear	052367 ³	1	
10	Nozzle, Blade Water Lube Spray (For use with standard bottle water lube)	016637 ⁴	1	
11	Fitting, 1/8" NPT Socket Pipe Plug	P30127	3	
12	Nut, 7/16-20 Hex Jam	F05010-38 ⁵	1	
13	Bolt, 7/16-20 x 2" Hex Head Full Thread Grade 8	F05007-215	1	
14	Screw, 7/16-20 x 1 1/2" Socket Head Flat Point Stainless Set	F05007-217 ⁶	1	
15	Fitting, 1/8" Dry Seal Nipple	P02764	1	
16	Fitting, 1/8" FPT Coupling	P05748	1	
17	Fitting, 1/8" MPT x 1/4" Tube 90° Elbow Swivel	P09736	1	
18	Bolt, 1/4-20 x 3/4" Hex Head Grade 5	F05005-123	2	
19	Bolt, Blade Guide Roller	036374	1	
20	Shaft, Blade Guide Mount	054966	1	
21	Block, Roller Guide Adjuster	054969	1	
22	Nut, 5/16-24 Hex	F05010-28	2	
23	Bolt, 5/16-24 x 1 1/4" Hex Head Full Thread Grade 5	F05006-107	2	
24	Bolt, 1/4-28 x 1 1/2" Hex Head Grade 5	F05005-143	1	
25	Nut, 7/16-20 Hex	F05010-202 ⁵	1	
	SHIM, .008" BLADE GUIDE BLOCK SPACER	035248	1	
26	NUT, 3/8-24 HEX JAM	F05010-22	4	
27	SCREW, 3/8-24 X 3/4" STAINLESS STEEL SOCKET HEAD FLAT POINT	F05007-95	1	
28	BOLT, 3/8-24 X 1" STAINLESS STEEL HEX HEAD	F05007-99	3	
29	TUBE, BLADE GUIDE MOUNT (See Section 2.8)	W08159	1	
	ROLLER ASSEMBLY, BLADE GUIDE RELUBE (OPTIONAL)	016568	1	
	Bearing Kit, Relube Blade Guide Rebuild	057407	1	
30	Washer, 5/8" White Felt	P04252	1	
31	Ring, 1 1/8" Interior Retaining	F04254-1	1	
32	Bearing, R8-2RS Blade Guide	015975 ⁷	2	◆
33	Washer, 5/8" Gray Felt	P06455	1	
34	Spacer, Blade Guide Bearing	035411	1	
	Instruction Sheet, Blade Guide Rebuild	057407-1507	1	
35	Roller, Flanged Blade Guide (Relube)	035426	1	◆
	Instruction Sheet, Blade Guide Roller Replacement	A04925-364	1	
36	BOLT, BLADE GUIDE ROLLER (RELUBE ONLY)	035412	1	
37	FITTING, 1/4-28 GREASE (RELUBE ONLY)	P05060	1	

¹ New blade guide assembly available ([See Section 2.1](#)). Upgrade requires mounting arms, belt covers and LMS option. If sawmill not equipped with Board Return option, use kit 006328 to retrofit both blade guide assemblies. If sawmill equipped with Board Return option, use kit 006329 to retrofit. If sawmill not already equipped with LMS option, add kit LMS-A.

² The sawmill is equipped standard with non-greasable blade guide rollers that can be used with the standard 1 1/4" blade or 1 1/2" blades. Optional extended blade guide rollers are available for use with 1 1/2" blades. The extended rollers may provide more stability during difficult sawing, but will reduce the total amount of times the blade can be reused after sharpening. Optional relube versions of each roller configuration are also available.

2

Blade Guide Rollers & Arm

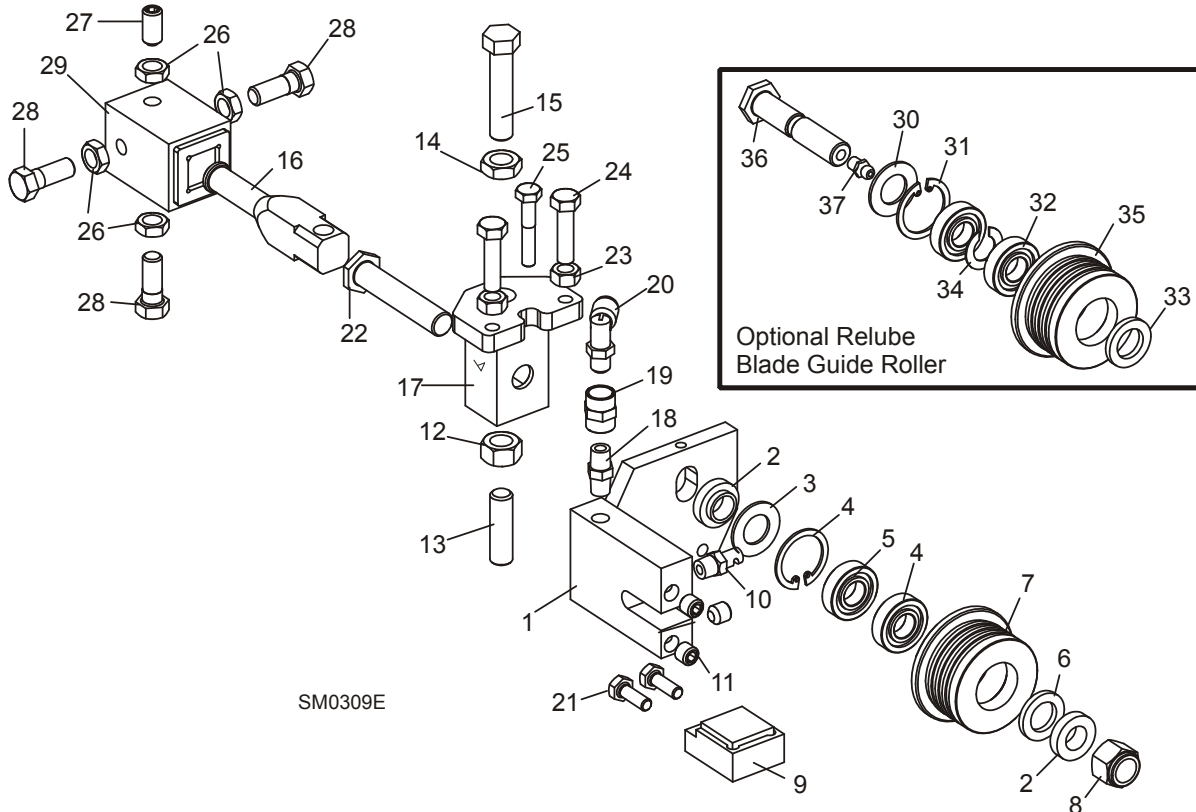
Blade Guide Assembly, Idle Side

- ³ Wear Block 052367 available 10/07 and provided as standard 4/09. EZ-Glide Block 036247 available for customers who prefer this block.
- ⁴ Use two Blade Lube Fittings 033479 if sawmill is equipped with LubeMizer blade lube system. These fittings are supplied with the LMS option.
- ⁵ Lower jam nut F05010-38 replaced with hex nut F05010-202 (3/07).
- ⁶ Stainless Set Screw replaces Zinc plated screw F05007-213 used prior to 6/07 to eliminate screw shearing.
- ⁷ Bearing must be modified for use with relube roller assemblies. Remove one seal from each bearing, place open sides facing each other and place spacer 035411 between bearings.

2.3 Blade Guide Assembly, Idle Side

LT30HD
LT40HD

Rev. J7.01 - J9.02
Rev. J8.01 - K1.04



SM0309E

REF	DESCRIPTION (◆ Indicates Parts Available In Assemblies Only)	PART #	QTY.
	ROLLER/BLOCK ASSEMBLY, IDLE SIDE (OUTER)	035405 ¹	1
1	Nozzle Block Weldment, Idle Side	035404	1
2	Spacer, .510 x .937 x .34	S04253	2
	Roller Assembly, Blade Guide (standard)	A04925 ²	1
	Bearing Kit, Blade Guide Rebuild	K07079	1
3	Washer, 5/8" White Felt	P04252	1
4	Ring, 1 1/8" Interior Retaining	F04254-1	1
5	Bearing, R8-2RS Blade Guide	015975	2
6	Washer, 5/8" Gray Felt	P06455	1
	Screw, 1/4-28 x 1/4" Socket Head Cup Point Set Black Oxide	F05005-105	1
	Instruction Sheet, Blade Guide Rebuild	057407-1507	1
7	Roller, Flanged Blade Guide	S04250	1
	Instruction Sheet, Blade Guide Roller Replacement	A04925-364	1
8	Nut, 1/2-20 Nylon Hex Lock	F05010-15	1

2

Blade Guide Rollers & Arm

Blade Guide Assembly, Idle Side

9	Block Assembly, 1 1/4" Blade EZ-Glide Wear	036247 ³	1	
	Block, 1 1/4" Blade Guide Wear	052367 ³	1	
10	Nozzle, Blade Water Lube Spray (For use with standard bottle water lube)	016637 ⁴	1	
11	Fitting, 1/8" NPT Socket Pipe Plug	P30127	3	
	Shaft Kit, Blade Guide Adjust Retrofit	038971 ⁵	1	
12	Nut, 7/16-20 Hex	F05010-202 ⁶	1	
13	Screw, 7/16-20 x 1 1/2" Socket Head Cup Point Stainless Steel	F05007-217 ⁷	1	
14	Nut, 7-16-20 Hex Jam	F05010-38	1	
15	Bolt, 7/16-20 x 2" Hex Head Full Thread Grade 8	F05007-215	1	
16	Shaft, Blade Guide Mount	054966	1	
17	Block Weldment, Roller Guide Adjuster	054969	1	
18	Fitting, 1/8" Dry Seal Nipple	P02764	1	
19	Fitting, 1/8" FPT Coupling	P05748	1	
20	Fitting, 1/8" MPT x 1/4" Tube 90° Elbow Swivel	P09736	1	
21	Bolt, 1/4-20 x 3/4" Hex Head Grade 5	F05005-123	2	
22	Bolt, Blade Guide Roller	036374	1	
23	Nut, 5/16-24 Hex	F05010-28	2	
24	Bolt, 5/16-24 x 1 1/4" Hex Head Full Thread Grade 5	F05006-107	2	
25	Bolt, 1/4-28 x 1 1/2" Hex Head Grade 5	F05005-143	1	
	SHIM, .008" BLADE GUIDE BLOCK SPACER	035248	1	
26	NUT, 3/8-24 HEX JAM	F05010-22	4	
27	SCREW, 3/8-24 X 3/4" STAINLESS STEEL SOCKET HEAD FLAT POINT	F05007-95	1	
28	BOLT, 3/8-24 X 1" STAINLESS STEEL HEX HEAD	F05007-99	3	
29	TUBE, BLADE GUIDE MOUNT (See Section 2.9)	W08159	1	
	ROLLER ASSEMBLY, BLADE GUIDE RELUBE (OPTIONAL)	016568 ²	1	
	Bearing Kit, Relube Blade Guide Rebuild	057407	1	
30	Washer, 5/8" White Felt	P04252	1	
31	Ring, 1 1/8" Interior Retaining	F04254-1	1	
32	Bearing, R8-2RS Blade Guide	015975 ⁸	2	◆
33	Washer, 5/8" Gray Felt	P06455	1	
34	Spacer, Blade Guide Bearing	035411	1	
	Instruction Sheet, Blade Guide Rebuild	057407-1507	1	
35	Roller, Flanged Blade Guide (Relube)	035426	1	◆
	Instruction Sheet, Blade Guide Roller Replacement	A04925-364	1	
36	BOLT, BLADE GUIDE ROLLER (RELUBE ONLY)	035412	1	
37	FITTING, 1/4-28 GREASE (RELUBE ONLY)	P05060	1	

¹ Blade Guide Assembly 035405 upgraded with new Block Weldment and Shaft to accommodate 7/16" adjustment hardware to improve durability (12/06). Use kit 038971 to retrofit previous revisions. New blade guide assembly available ([See Section 2.1](#)). Upgrade requires mounting arms, belt covers and LMS option. If sawmill not equipped with Board Return option, use kit 006328 to retrofit both blade guide assemblies. If sawmill equipped with Board Return option, use kit 006329 to retrofit. If sawmill not already equipped with LMS option, add kit LMS-A.

² The sawmill is equipped standard with non-greasable blade guide rollers that can be used with the standard 1 1/4" blade. Optional relube are also available.

-
- ³ Wear Block 052367 available 10/07 and provided as standard 4/09. EZ-Glide Block 036247 available for customers who prefer this block.
- ⁴ Use two Blade Lube Fittings 033479 if sawmill is equipped with LubeMizer blade lube system. These fittings are supplied with the LMS option.
- ⁵ Mount Shaft 035427, Adjuster Block 035408, 3/8" Set Screws F05007-162 & 3/8" Jam Nuts F05010-22 replaced with 7/16" adjustment hard ware. Mount Shaft 035427 & Adjuster Block 035408 no longer available. Use kit 038971 to retrofit original parts.
- ⁶ Lower jam nut F05010-38 replaced with hex nut F05010-202 (3/07).
- ⁷ Stainless Set Screw replaces Zinc plated screw F05007-213 used prior to 6/07 to eliminate screw shearing.
- ⁸ Bearing must be modified for use with relube roller assemblies. Remove one seal from each bearing, place open sides facing each other and place spacer 035411 between bearings.

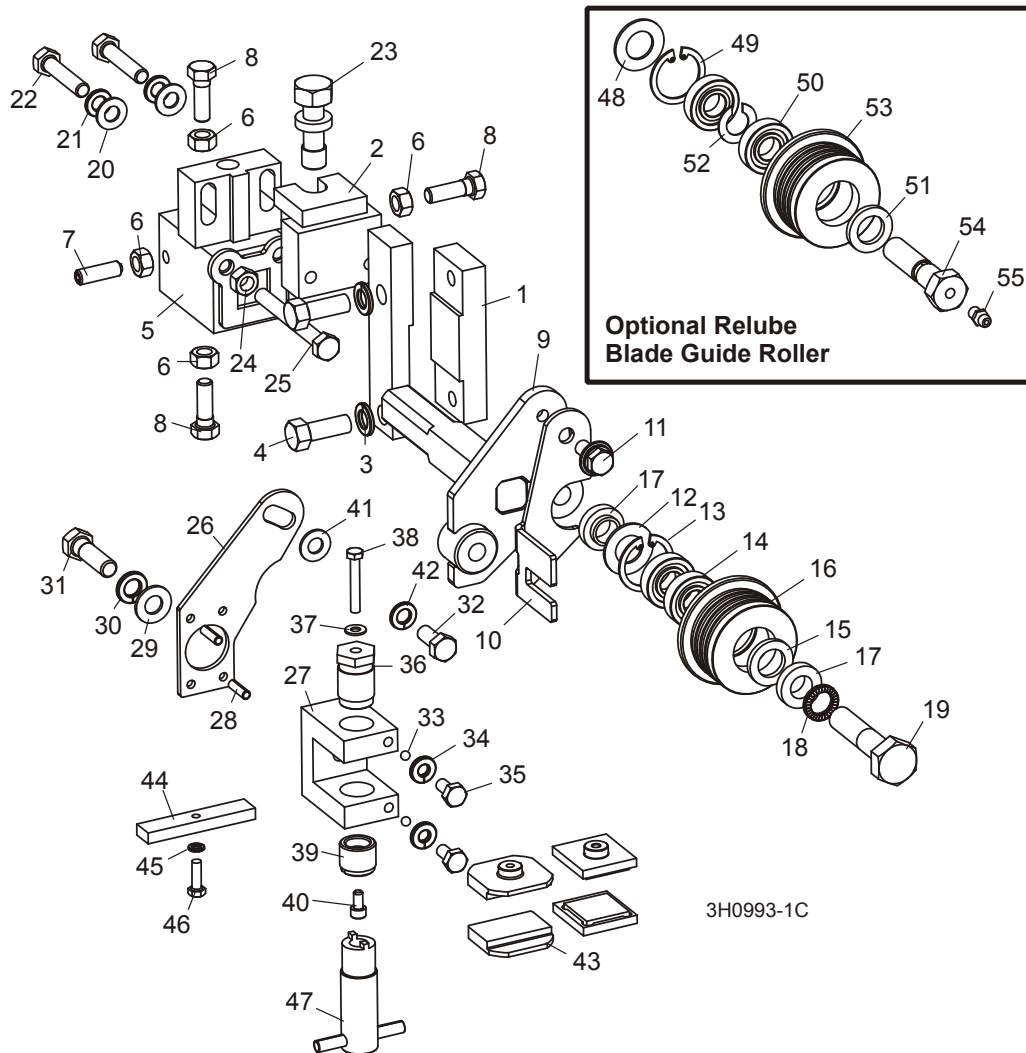
2 Blade Guide Rollers & Arm

Blade Guide Assembly, Drive Side

2.4 Blade Guide Assembly, Drive Side

LT30HD
LT40HD

Rev. K1.03 - K3.03
Rev. K3.01 - K5.03



3H0993-1C

REF	DESCRIPTION (◆ Indicates Parts Available In Assemblies Only)	PART #	QTY.
1	BLOCK, BOLT ON BLADE GUIDE MOUNT	016548	1
2	BRACKET WELDMENT, INNER BLADE GUIDE MOUNT	003964	1
3	WASHER, 3/8" SPLIT LOCK	F05011-4	2
4	BOLT, 3/8-16 X 1" HEX HEAD	F05007-7	2
	GUIDE ASSEMBLY, DRIVE SIDE BLADE ROLLER	003905	1
	Block Assembly, Blade Guide Mount	003910	1
5	Block Weldment, Blade Guide Mount	003911	1
6	Nut, 5/16-18 Hex	F05010-17	4

Blade Guide Rollers & Arm

Blade Guide Assembly, Drive Side

2

7	Screw, 5/16-18 x 1" Socket Head Flat Point Stainless Steel Set	F05006-122	1	
8	Bolt, 5/16-18 x 1" Hex Head Stainless Steel	F05006-88	3	
9	Shaft Weldment, Drive Side Guide	003913	1	
10	Plate, Blade Guide Deflector	003916	1	
11	Bolt, 5/16-18 x 3/4" Hex Head w/Flat & Lock Washer	F05006-101	1	
	Roller Assembly, Blade Guide (standard)	A04925	1	
	Bearing Kit, Blade Guide Rebuild	K07079	1	
12	Washer, 5/8" White Felt	P04252	1	
13	Ring, 1 1/8" Interior Retaining	F04254-1	1	
14	Bearing, R8-2RS Blade Guide	015975	2	◆
15	Washer, 5/8" Gray Felt	P06455	1	
	Screw, 1/4-28 x 1/4" Socket Head Cup Point Set Black Oxide	F05005-105	1	
	Instruction Sheet, Blade Guide Rebuild	057407-1507	1	
16	Roller, Flanged Blade Guide	S04250	1	◆
	Instruction Sheet, Blade Guide Roller Replacement	A04925-364	1	
17	Spacer, Blade Guide	S04253	2	
18	Washer, 1/2" Nord-Lock	F05011-125 ¹	1	
19	Bolt, 1/2-13 x 2 1/4" Hex Head Grade 5	F05008-10	1	
20	Washer, 5/16" SAE Flat	F05011-17	2	
21	Washer, 5/16" Split Lock	F05011-13	2	
22	Bolt, 5/16-18 x 1 1/2" Hex Head	F05006-76	2	
23	Bolt, Blade Guide Vertical Adjustment	035656	1	
24	Nut, 5/16-18 Hex	F05010-17	1	
25	Bolt, 5/16-18 x 2 3/4" Hex Head Full Thread	F05006-136	1	
	GUIDE KIT, HIGH-PERFORMANCE BLADE GUIDE (OPTIONAL)	006325 ²	1	
	Block Assembly, Drive Side Blade Guide	003927	1	
26	Plate, Block Tilt Adjustment	003915	1	
27	Block, Guide Block Mount	003909	1	
28	Pin, 3/16" x 5/8" Roll	F05012-22	2	
29	Washer, 3/8" SAE Flat	F05011-3	1	
30	Washer, 3/8" Split Lock	F05011-4	1	
31	Bolt, 3/8-16 x 1 1/4" Hex Head Grade 5	F05007-123	1	
32	Bolt, 5/16-18 x 3/4" Hex Head w/Flat & Lock Washer	F05006-101	1	
33	Ball, 3/16" Dia. Nylon	003914	2	
34	Washer, 1/4" Split Lock	F05011-14	2	
35	Bolt, 1/4-20 x 1/2" Hex Head	F05005-15	2	
36	Bolt, Blade Guide Block Mount	003994	1	
37	Washer, #10 Brass	042867	1	
38	Bolt, #10-32 x 1 1/4" Hex Head Stainless Steel	F05004-240	1	
39	Screw, Lower Block Adjustment	044057	1	
40	Screw, #10-32 x 3/8" Socket Head Stainless Steel	F05004-200	1	
41	Washer, 5/16" SAE Flat	F05011-17	1	
42	Washer, 5/16" Split Lock	F05011-13	1	

2

Blade Guide Rollers & Arm

Blade Guide Assembly, Drive Side

43	Block, Blade Guide Wear (Standard for 1 1/4" Blades)	052355 ³	2	
	Block Assembly, 1" Sq. EZ-Glide Wear	036347 ³	2	
44	Block, Blade Guide Alignment	035799	1	
45	Washer, #10 Split Lock	F05011-20	1	
46	Screw, #10-32 x 5/8" Hex Head	F05004-152	1	
47	Adjustment Tool, Lower Guide Block	044064	1	
	Shim, .008" Blade Guide Block Spacer	035248	1	
Idle Side Blade Guide Parts (See Section 2.1)				
ROLLER ASSEMBLY, BLADE GUIDE RELUBE (OPTIONAL)		016568	1	
	Bearing Kit, Relube Blade Guide Rebuild	057407	1	
48	Washer, 5/8" White Felt	P04252	1	
49	Ring, 1 1/8" Interior Retaining	F04254-1	1	
50	Bearing, R8-2RS Blade Guide	015975 ⁴	2	◆
51	Washer, 5/8" Gray Felt	P06455	1	
52	Spacer, Blade Guide Bearing	035411	1	
	Instruction Sheet, Blade Guide Rebuild	057407-1507	1	
53	Roller, Flanged Blade Guide (Relube)	035426	1	◆
	Instruction Sheet, Blade Guide Roller Replacement	A04925-364	1	
54	BOLT, BLADE GUIDE ROLLER (RELUBE ONLY)	036161	1	
55	FITTING, 1/4-28 GREASE (RELUBE ONLY)	P05060	1	

¹ Nord-Lock Washer F05011-125 replaced Split Lock Washer F05011-9 to prevent loosening due to vibration (LT30HD Rev. K3.03 & LT40HD Rev. K5.03).

² High-Performance Blade Guide Kit requires LMS blade lube system. Use kit 006325 to upgrade both drive and idle side blade guides to High-Performance. If sawmill not already equipped with LMS, add kit LMS-A.

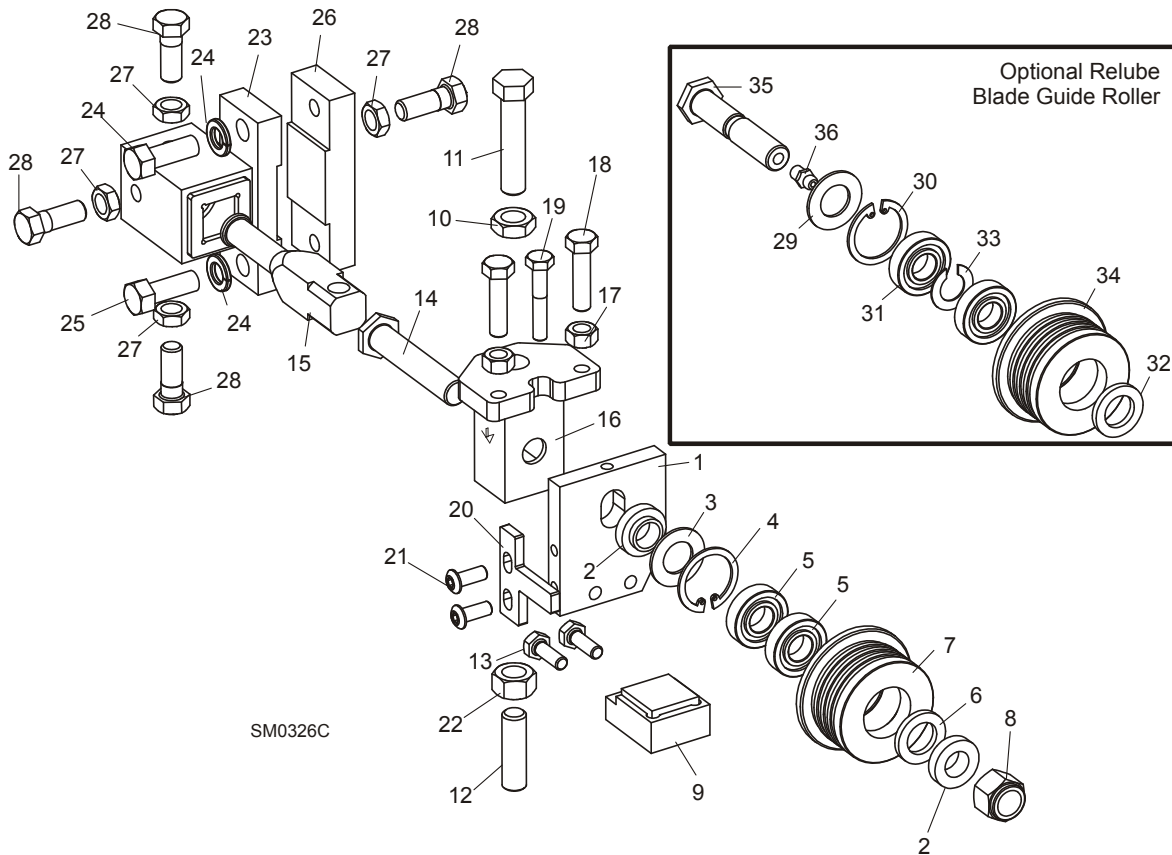
³ 052355 blocks for use with 1 1/4" blade provided as standard equipment. EZ-Glide blocks 036347 are available for customers who prefer this block.

⁴ Bearing must be modified for use with relube roller assemblies. Remove one seal from each bearing, place open sides facing each other and place spacer 035411 between bearings.

2.5 Blade Guide Assembly, Drive Side

LT30HD
LT40HD

Rev. K1.00 - K1.02
Rev. K2.00 - K3.00



REF	DESCRIPTION (◆ Indicates Parts Available In Assemblies Only)	PART #	QTY.
	ROLLER/BLOCK ASSEMBLY, DRIVE SIDE (INNER)	035410 ¹	1
1	Plate, Blade Guide Back Mounting	035409	1
2	Spacer, .510 x .937 x .34	S04253	2
	Roller Assembly, Blade Guide (standard)	A04925 ²	1
	Bearing Kit, Blade Guide Rebuild	K07079	1
3	Washer, 5/8" White Felt	P04252	1
4	Ring, 1 1/8" Interior Retaining	F04254-1	1
5	Bearing, R8-2RS Blade Guide	015975	2
6	Washer, 5/8" Gray Felt	P06455	1
	Screw, 1/4-28 x 1/4" Socket Head Cup Point Set Black Oxide	F05005-105	1
	Instruction Sheet, Blade Guide Rebuild	057407-1507	1
7	Roller, Flanged Blade Guide	S04250	1

2

Blade Guide Rollers & Arm

Blade Guide Assembly, Drive Side

	Instruction Sheet, Blade Guide Roller Replacement	A04925-364	1	
8	Nut, 1/2-20 Nylon Hex Lock	F05010-15	1	
9	Block Assembly, 1 1/4" Blade EZ-Glide Wear	036247 ³	1	
	Block, 1 1/4" Blade Guide Wear	052367 ³	1	
10	Nut, 7/16-20 Hex Jam	F05010-38 ⁴	1	
11	Bolt, 7/16-20 x 2" Hex Head Full Thread Grade 8	F05007-215	1	
12	Screw, 7/16-20 x 1 1/2" Socket Head Flat Point Stainless Set	F05007-217 ⁵	1	
13	Bolt, 1/4-20 x 3/4" Hex Head Grade 5	F05005-123	2	
14	Bolt, Blade Guide Roller	036374	1	
15	Shaft, Blade Guide Mount	054966	1	
16	Block Weldment, Roller Guide Adjuster	054969	1	
17	Nut, 5/16-24 Hex	F05010-28	2	
18	Bolt, 5/16-24 x 1 1/4" Hex Head Full Thread Stainless	F05006-107	2	
19	Bolt, 1/4-28 x 1 1/2" Hex Head Stainless	F05005-143	1	
20	Guard, Drive Roller	035490	1	
21	Screw, 1/4-20 x 55/8" Button Head Socket Cap Grade 2	F05005-128	2	
22	Nut, 7/16-20 Hex	F05010-202 ⁴	1	
	SHIM, .008" BLADE GUIDE BLOCK SPACER	035248	1	
	BLOCK KIT, DRIVE SIDE BLADE GUIDE BOLT ON	016566	1	
23	Block Weldment, Drive Side Blade Guide Bolt On	016550	1	
24	Washer, 3/8" Split Lock	F05011-4	2	
25	Bolt, 3/8-16 x 1" Hex Head	F05007-7	2	
26	Block, Bolt On Blade Guide Mount	016548	1	
27	Nut, 3/8-24 Jam	F05010-22	4	
28	Bolt, 3/8-24 X 1" Stainless Steel Hex Head	F05007-99	4	
	ROLLER ASSEMBLY, BLADE GUIDE RELUBE (OPTIONAL)	016568 ²	1	
	Bearing Kit, Relube Blade Guide Rebuild	057407	1	
29	Washer, 5/8" White Felt	P04252	1	
30	Ring, 1 1/8" Interior Retaining	F04254-1	1	
31	Bearing, R8-2RS Blade Guide	015975 ⁶	2	◆
32	Washer, 5/8" Gray Felt	P06455	1	
33	Spacer, Blade Guide Bearing	035411	1	
	Instruction Sheet, Blade Guide Rebuild	057407-1507	1	
34	Roller, Flanged Blade Guide (Relube)	035426	1	◆
	Instruction Sheet, Blade Guide Roller Replacement	A04925-364	1	
35	BOLT, BLADE GUIDE ROLLER (RELUBE ONLY)	035412	1	
36	FITTING, 1/4-28 GREASE (RELUBE ONLY)	P05060	1	

¹ New blade guide assembly available ([See Section 2.4](#)). Upgrade requires mounting arms, belt covers and LMS option. If sawmill not equipped with Board Return option, use kit 006328 to retrofit both blade guide assemblies. If sawmill equipped with Board Return option, use kit 006329 to retrofit. If sawmill not already equipped with LMS option, add kit LMS-A.

² The sawmill is equipped standard with non-greasable blade guide rollers that can be used with the standard 1 1/4" blades. Optional relube versions available.

³ Wear Block 052367 available 10/07 and provided as standard 4/09. EZ-Glide Block 036247 available for customers who prefer this block.

⁴ Lower jam nut F05010-38 replaced with hex nut F05010-202 (3/07).

⁵ Stainless Set Screw replaces Zinc plated screw F05007-213 used prior to 6/07 to eliminate screw shearing.

⁶ Bearing must be modified for use with relube roller assemblies. Remove one seal from each bearing, place open sides facing each other and place spacer 035411 between bearings.

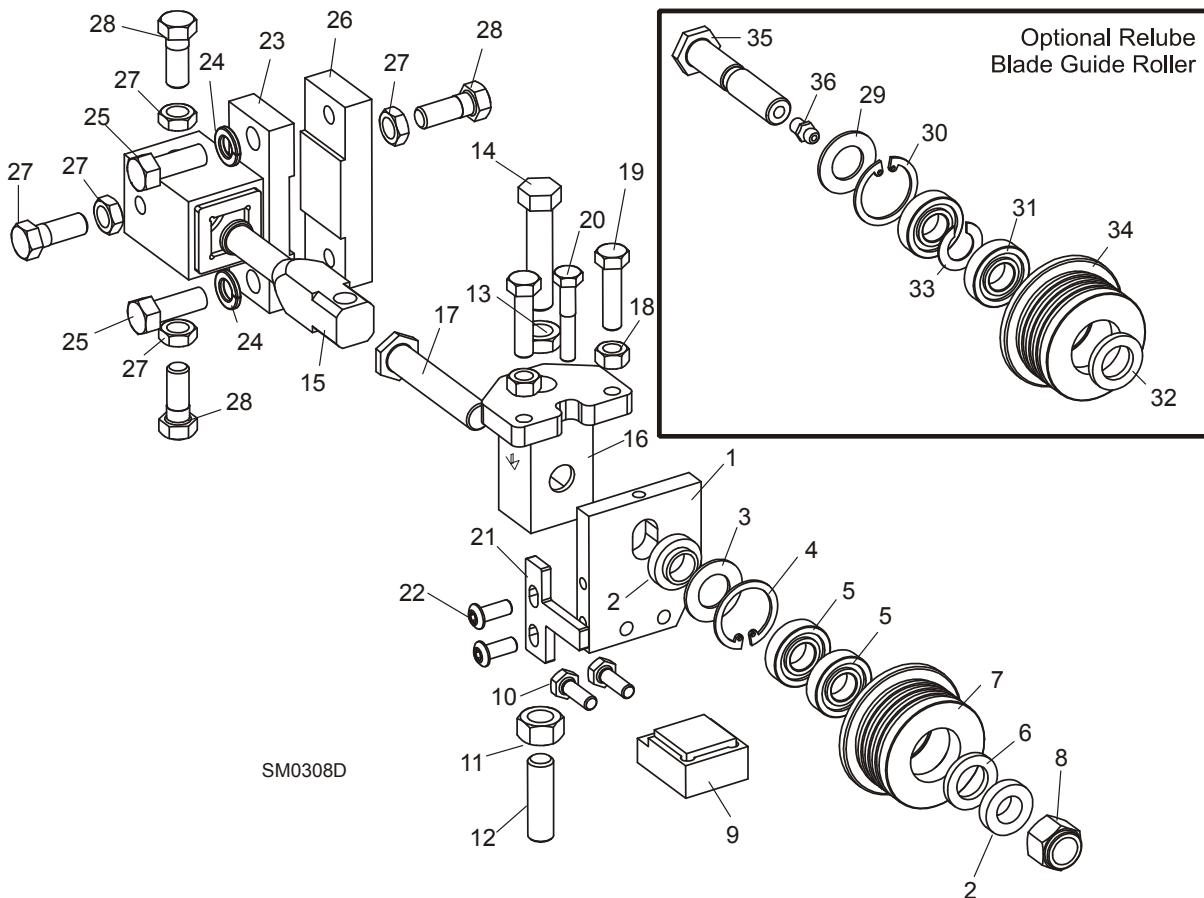
2 Blade Guide Rollers & Arm

Blade Guide Assembly, Drive Side

2.6 Blade Guide Assembly, Drive Side

LT30HD
LT40HD

Rev. J7.01 - J9.02
Rev. J8.01 - K1.04



REF	DESCRIPTION (◆ Indicates Parts Available In Assemblies Only)	PART #	QTY.	
	ROLLER/BLOCK ASSEMBLY, DRIVE SIDE (INNER)	035410 ¹	1	
1	Plate, Blade Guide Back Mounting	035409	1	
2	Spacer, .510 x .937 x .34	S04253	2	
	Roller Assembly, Blade Guide (standard)	A04925	1	
	Bearing Kit, Blade Guide Rebuild	K07079	1	
3	Washer, 5/8" White Felt	P04252	1	
4	Ring, 1 1/8" Interior Retaining	F04254-1	1	
5	Bearing, R8-2RS Blade Guide	015975	2	◆
6	Washer, 5/8" Gray Felt	P06455	1	
	Screw, 1/4-28 x 1/4" Socket Head Cup Point Set Black Oxide	F05005-105	1	
	Instruction Sheet, Blade Guide Rebuild	057407-1507	1	
7	Roller, Flanged Blade Guide	S04250	1	◆

Blade Guide Rollers & Arm

Blade Guide Assembly, Drive Side

2

	Instruction Sheet, Blade Guide Roller Replacement	A04925-364	1	
8	Nut, 1/2-20 Nylon Hex Lock	F05010-15	1	
9	Block Assembly, 1 1/4" Blade EZ-Glide Wear	036247 ²	1	
	Block, 1 1/4" Blade Guide Wear	052367 ²	1	
10	Bolt, 1/4-20 x 3/4" Hex Head Grade 5	F05005-123	2	
	Shaft Kit, Blade Guide Adjust Retrofit	038971 ³	1	
11	Nut, 7/16-20 Hex	F05010-202 ⁴	1	
12	Screw, 7/16-20 x 1 1/2" Socket Head Cup Point Stainless Steel	F05007-217 ⁵	1	
13	Nut, 7-16-20 Hex Jam	F05010-38	1	
14	Bolt, 7/16-20 x 2" Hex Head Full Thread Grade 8	F05007-215	1	
15	Shaft, Blade Guide Mount	054966	1	
16	Block Weldment, Roller Guide Adjuster	054969	1	
17	Bolt, Blade Guide Roller	036374	1	
18	Nut, 5/16-24 Hex	F05010-28	2	
19	Bolt, 5/16-24 x 1 1/4" Hex Head Full Thread Stainless	F05006-107	2	
20	Bolt, 1/4-28 x 1 1/2" Hex Head Stainless	F05005-143	1	
21	Guard, Drive Roller	035490	1	
22	Screw, 1/4-20 x 5/8" Button Head Socket Cap Grade 2	F05005-128	2	
	SHIM, .008" BLADE GUIDE BLOCK SPACER	035248	1	
	BLOCK KIT, DRIVE SIDE BLADE GUIDE BOLT ON	016566	1	
23	Block Weldment, Drive Side Blade Guide Bolt On	016550	1	
24	Washer, 3/8" Split Lock	F05011-4	2	
25	Bolt, 3/8-16 x 1" Hex Head	F05007-7	2	
26	Block, Bolt On Blade Guide Mount	016548	1	
27	Nut, 3/8-24 Jam	F05010-22	4	
28	Bolt, 3/8-24 X 1" Stainless Steel Hex Head	F05007-99	4	
	ROLLER ASSEMBLY, BLADE GUIDE RELUBE (OPTIONAL)	016568	1	
	Bearing Kit, Relube Blade Guide Rebuild	057407	1	
29	Washer, 5/8" White Felt	P04252	1	
30	Ring, 1 1/8" Interior Retaining	F04254-1	1	
31	Bearing, R8-2RS Blade Guide	015975 ⁶	2	◆
32	Washer, 5/8" Gray Felt	P06455	1	
33	Spacer, Blade Guide Bearing	035411	1	
	Instruction Sheet, Blade Guide Rebuild	057407-1507	1	
34	Roller, Flanged Blade Guide (Relube)	035426	1	◆
	Instruction Sheet, Blade Guide Roller Replacement	A04925-364	1	
35	BOLT, BLADE GUIDE ROLLER (RELUBE ONLY)	035412	1	
36	FITTING, 1/4-28 GREASE (RELUBE ONLY)	P05060	1	

¹ Blade Guide Assembly 035410 upgraded with new Block Weldment and Shaft to accommodate 7/16" adjustment hardware to improve durability (12/06). New blade guide assembly available ([See Section 2.4](#)). Upgrade requires mounting arms, belt covers and LMS option. If sawmill not equipped with Board Return option, use kit 006328 to retrofit both blade guide assemblies. If sawmill equipped with Board Return option, use kit 006329 to retrofit. If sawmill not already equipped with LMS option, add kit LMS-A.

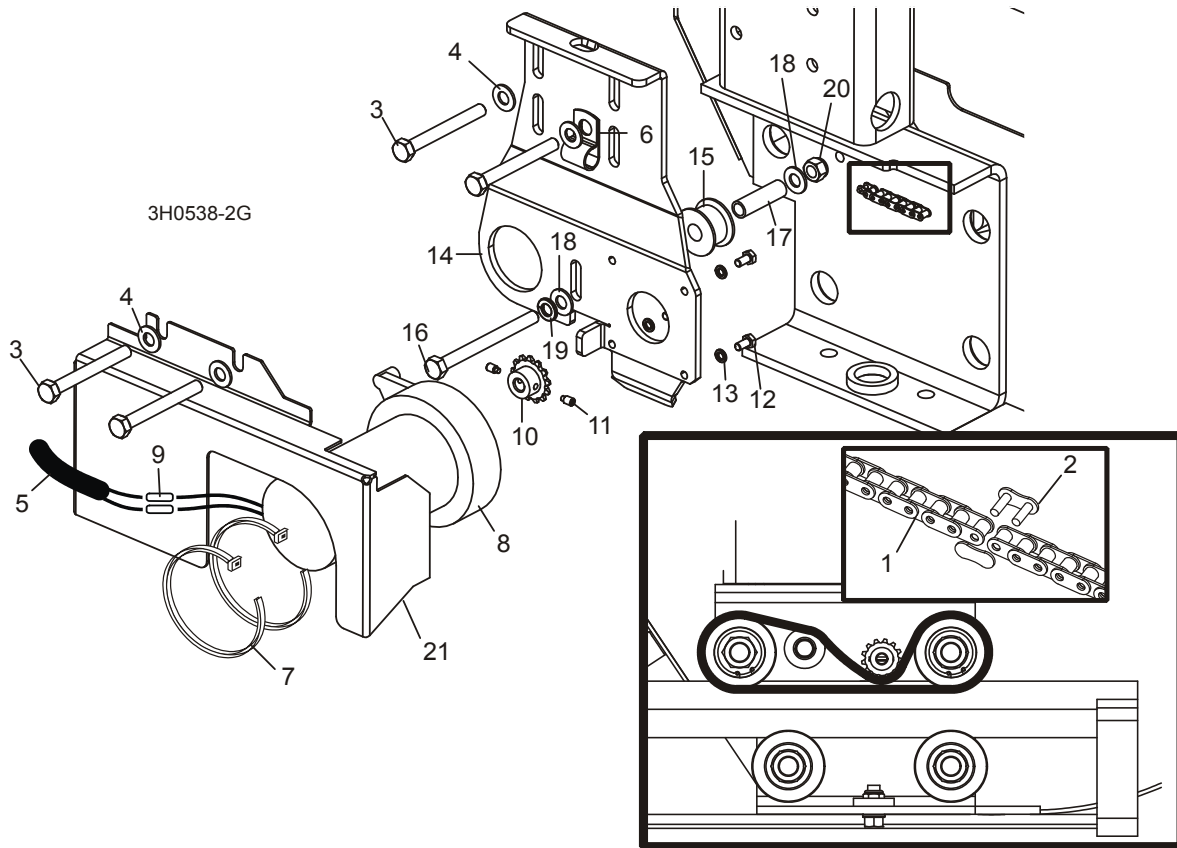
2

Blade Guide Rollers & Arm

Blade Guide Assembly, Drive Side

- ² Wear Block 052367 available 10/07 and provided as standard 4/09. EZ-Glide Block 036247 available for customers who prefer this block.
- ³ Mount Shaft 035427, Adjuster Block 035408, 3/8" Set Screws F05007-162 & 3/8" Jam Nuts F05010-22 replaced with 7/16" adjustment hard ware. Mount Shaft 035427 & Adjuster Block 035408 no longer available. Use kit 038971 to retrofit original parts.
- ⁴ Lower jam nut F05010-38 replaced with hex nut F05010-202 (3/07).
- ⁵ Stainless Set Screw replaces Zinc plated screw F05007-213 used prior to 6/07 to eliminate screw shearing.
- ⁶ Bearing must be modified for use with relube roller assemblies. Remove one seal from each bearing, place open sides facing each other and place spacer 035411 between bearings.

2.7 Blade Guide Arm Drive Assembly



REF	DESCRIPTION (◆ Indicates Parts Available In Assemblies Only)	PART #	QTY.
1	CHAIN, #25 X 20 1/4"	P09984	1
2	LINK, #25 MASTER	P09983	1
3	BOLT, 5/16-18 X 2 3/4" HEX HEAD GRADE 5	F05006-28	4
4	WASHER, 5/16" SAE FLAT	F05011-17	4
5	TUBE, 3/8" X 1/2" NEOPRENE	R01897	2.5ft
6	CLAMP, 1/2" COATED EMT	P07584	2
7	WRAP, 1/4" X 6" TIE	F05089-1	2
	DRIVE ASSEMBLY, BLADE GUIDE ARM	015989	1
	Motor Assembly, Blade Guide Arm Replacement	A10353	1
8	Motor, Blade Guide Arm 53:1 Gear	P09698-1	1
	Housing, Klauber Motor End	P12756	1
	Gear Kit, Klauber Motor Replacement	P12569	1
	Brush Kit, Gear Motor Replacement	P12800	1
	Shaft Kit, Klauber Gear Motor Replacement	009695	1
9	Connector, 14 Gauge Butt	F04875-1	2
10	Sprocket, Gear Motor #25 14-Tooth	P09970 ¹	1
11	Screw, #10-24 x 1/4" Full Dog Point Socket Set	F05004-274	2

2

Blade Guide Rollers & Arm

Blade Guide Arm Drive Assembly

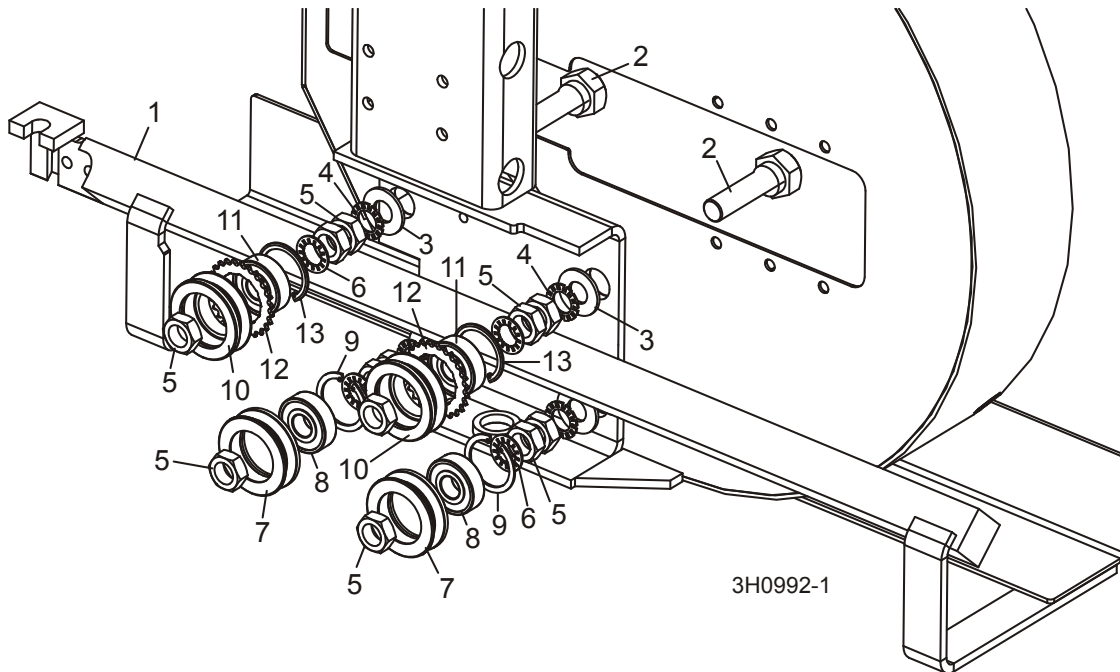
12	Screw, #10-32 x 1/2" Hex Head	F05004-60	4	
13	Washer, #10 Split Lock	F05011-20	4	
	Instruction Sheet, Blade Guide Arm Motor	A10365-296	1	
14	Bracket, Blade Guide Arm Motor Mount	015939	1	
15	Roller, Blade Guide Arm Chain Idler	S09999	1	
16	Bolt, 5/16-18 X 3 1/2" Hex Head Full Thread	F05006-3	1	
17	Spacer, 5/16" I.D. X 1 1/2"	S09996	1	
18	Washer, 5/16" SAE Flat	F05011-17	2	
19	Washer, 5/16" Split Lock	F05011-13	1	
20	Nut, 5/16-18 Hex Nylon Lock	F05010-58	1	
21	COVER, BLADE GUIDE ARM MOTOR	S11617	1	
	GUARD, BLADE GUIDE ARM (G.S. ONLY)	S12029	1	

¹ Sprocket modified 6/11 with threaded holes to accept included set screws (replace 1/8" x 3/4" roll pin F05012-6).

2.8 Blade Guide Arm

LT30HD
LT40HD

Rev. K1.03 - K3.03
Rev. K3.01 - K5.03



REF	DESCRIPTION (◆ Indicates Parts Available In Assemblies Only)	PART #	QTY.	
1	BLADE GUIDE ARM WELDMENT	003972	1	
2	BOLT, BLADE GUIDE ARM ROLLER CAM	W09067	4	
3	WASHER, 5/8" SAE FLAT	F05011-5	4	
4	WASHER, 5/8" EXTERNAL STAR	F05011-26	4	
5	NUT, 5/8-18 HEX JAM	F05010-11	12	
6	WASHER, 5/8" INTERNAL STAR	F05011-25	8	
	ROLLER ASSEMBLY, BLADE GUIDE ARM WITH BEARING	A09059	2	
7	Roller, Blade Guide Arm V-Groove	S07989	1	◆
8	Bearing, 6203-2NSL 5/8" I.D.	P06030-1	1	◆
9	Ring, 1.575" ID Beveled 5002-156 Retaining	F04254-8	1	
	ROLLER ASSEMBLY, BLADE GUIDE ARM WITH BEARING AND SPROCKET	A09932	2	
10	Roller, Blade Guide Arm Drive	S09930	1	◆
11	Bearing, 6203-2NSL 5/8" I.D.	P06030-1	1	◆
12	Sprocket, #25 26-Tooth	S09931	1	◆
13	Ring, 1.575" ID Beveled 5002-156 Retaining	F04254-8	1	

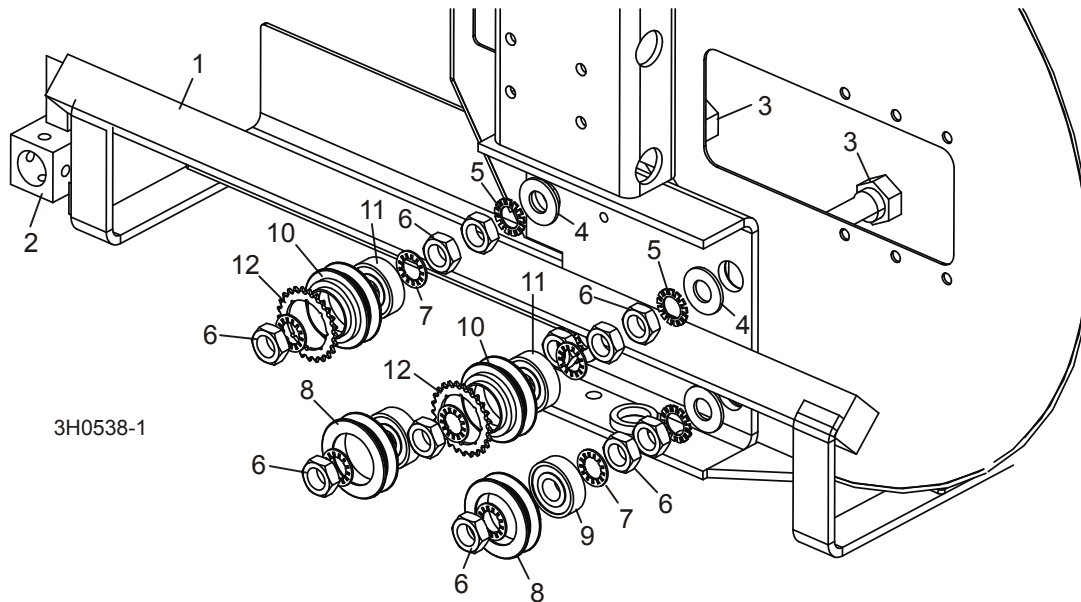
2 Blade Guide Rollers & Arm

Blade Guide Arm

2.9 Blade Guide Arm

LT30HD
LT40HD

Rev. J7.01 - K1.02
Rev. J8.01 - K3.00

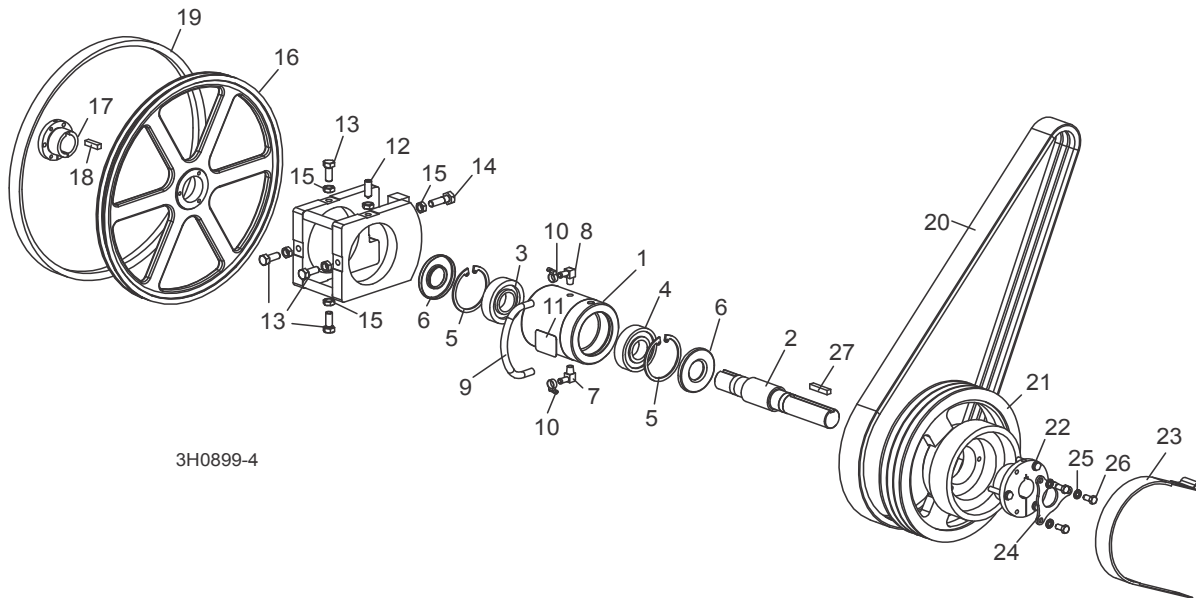


REF	DESCRIPTION (◆ Indicates Parts Available In Assemblies Only)	PART #	QTY.	
1	BLADE GUIDE ARM WELDMENT (U.S. 28 5/8" [72.7 CM])	W10005	1	
	BLADE GUIDE ARM WELDMENT (G.S. 37 1/8" [94.2 CM])	W10429	1	
2	Tube, Blade Guide Mount (U.S. - Welded to Blade Guide Arm)	W08159	1	
	Tube, Blade Guide Mount (G.S. - Bolted to Blade Guide Arm)	W10426	1	
3	BOLT, BLADE GUIDE ARM ROLLER CAM	W09067	4	
4	WASHER, 5/8" SAE FLAT	F05011-5	4	
5	WASHER, 5/8" EXTERNAL STAR	F05011-26	4	
6	NUT, 5/8-18 HEX JAM	F05010-11	12	
7	WASHER, 5/8" INTERNAL STAR	F05011-25	8	
	ROLLER ASSEMBLY, BLADE GUIDE ARM WITH BEARING	A09059	2	
8	Roller, Blade Guide Arm V-Groove	S07989	1	◆
9	Bearing, 6203-2NSL 5/8" I.D.	P06030-1	1	◆
	Ring, 1.575" ID Beveled 5002-156 Retaining	F04254-8	1	
	ROLLER ASSEMBLY, BLADE GUIDE ARM WITH BEARING AND SPROCKET	A09932	2	
10	Roller, Blade Guide Arm Drive	S09930	1	◆
11	Bearing, 6203-2NSL 5/8" I.D.	P06030-1	1	◆
12	Sprocket, #25 26-Tooth	S09931	1	◆
	Ring, 1.575" ID Beveled 5002-156 Retaining	F04254-8	1	

SECTION 3 BLADE WHEELS & TENSIONER

3.1 Blade Drive Assembly

LT30HD D33/D34/D35/D36
LT40HD D33/D34/D35/D36/G38
LT30HD G36
LT40HD G36



3H0899-4

REF	DESCRIPTION (◆ Indicates Parts Available In Assemblies Only)	PART #	QTY.	
	BEARING ASSEMBLY, BLADE WHEEL DRIVE	016393	1	
	Bearing Assembly, Cylindrical Drive	016392	1	◆
1	Housing, Blade Wheel Drive Bearing	016391	1	◆
2	Shaft, Blade Wheel Drive	014005	1	◆
3	Bearing, Blade Wheel Drive #MU1308TV	P10205	1	◆
4	Bearing, Blade Wheel Drive #6308 C3 Open	016055	1	◆
5	Ring, 90mm Interior Retaining #I17	F04254-17	2	
6	Seal, Drive Bearing #CR15890	P10206-K	2	
7	Fitting, 1/4" NPT x 3/8" Hose Barb Elbow	016330	1	
8	Fitting, 1/4" NPT x 3/8" Hose Barb Vented Elbow	016331	1	
9	Hose, Oil Level Viewer	016394	1	
10	Clamp, 7/32-5/8" Hose	P649	2	
11	Decal, Oil Level Gauge	017470	1	
	Instruction Sheet, Drive Bearing Replacement	016393-555	1	
12	SCREW, 1/2-20 X 1 1/2" CONE POINT SET	F05004-170	1	
13	BOLT, 1/2-20 X 1 1/4" HEX HEAD GRADE 5	F05008-108	4	

3

Blade Wheel & Tensioner

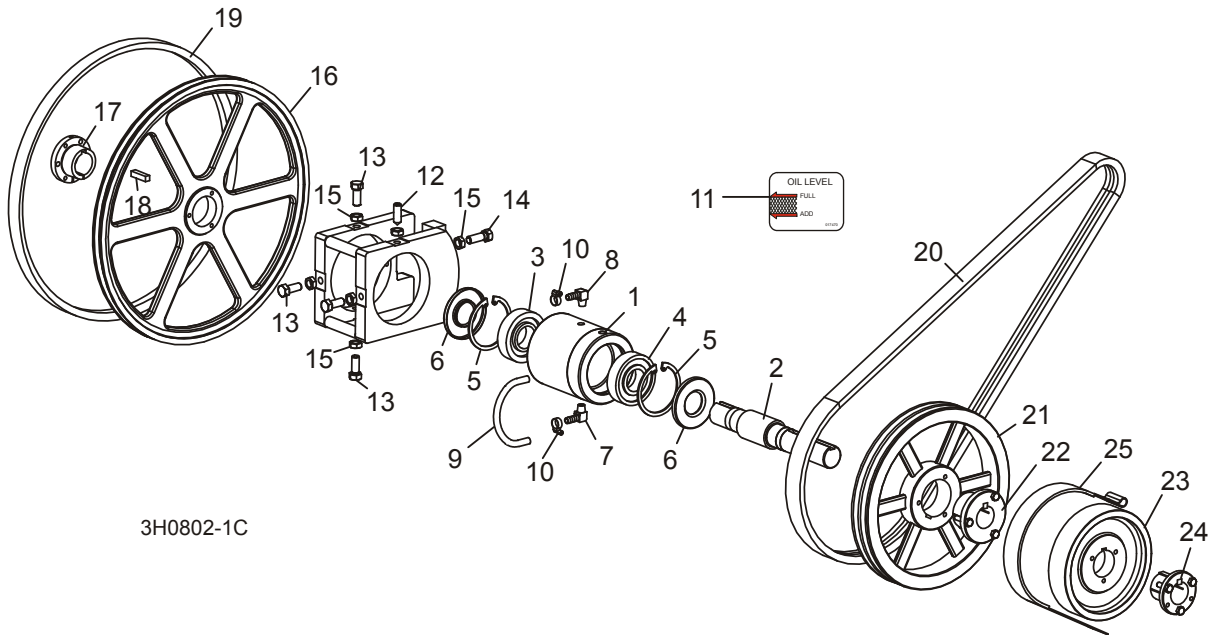
Blade Drive Assembly

14	BOLT, 1/2-20 X 1 3/4" HEX HEAD GRADE 5	F05008-49	1	
15	NUT, 1/2-20 HEX JAM	F05010-16	6	
	WHEEL KIT, DRIVE SIDE BLADE	014562	1	
16	Wheel, Drive Side Blade	016284	1	◆
17	Bushing, Modified 1 9/16" SD	016270	1	
18	Key, 3/8" x 3/8" x 1 5/8"	S12892	1	
	Instruction Sheet, Drive Side Blade Wheel Replacement	K12897-488	1	
19	BELT, BLADE WHEEL B57	P04185	1	
20	BELT, 3/5VL770 DRIVE (D34/D35/D36)	046571	1	
	BELT, 3/5VL750 DRIVE (G38/G36/D33)	006672 ¹	1	
21	SHEAVE, 5V12.5X3 BRAKE COMBO	016531	1	
22	BUSHING, SF X 1 9/16"	016532	1	
23	STRAP, METAL-BACKED BRAKE	014391	1	
24	PLATE, BUSHING KEY RETAINER	017953	1	
25	WASHER, 3/8" SPLIT LOCK	F05011-4	3	
26	BOLT, 3/8-16 X 3/4" HEX HEAD	F05007-27	3	
27	KEY, 3/8" X 3/8" X 1 7/8"	014693	1	

¹ Cog-style belt 006672 replaces 016556 originally supplied prior to 7/08 to reduce slippage.

3.2 Blade Drive Assembly

LT30HD G25/G28
LT40HD G25/G28



3H0802-1C

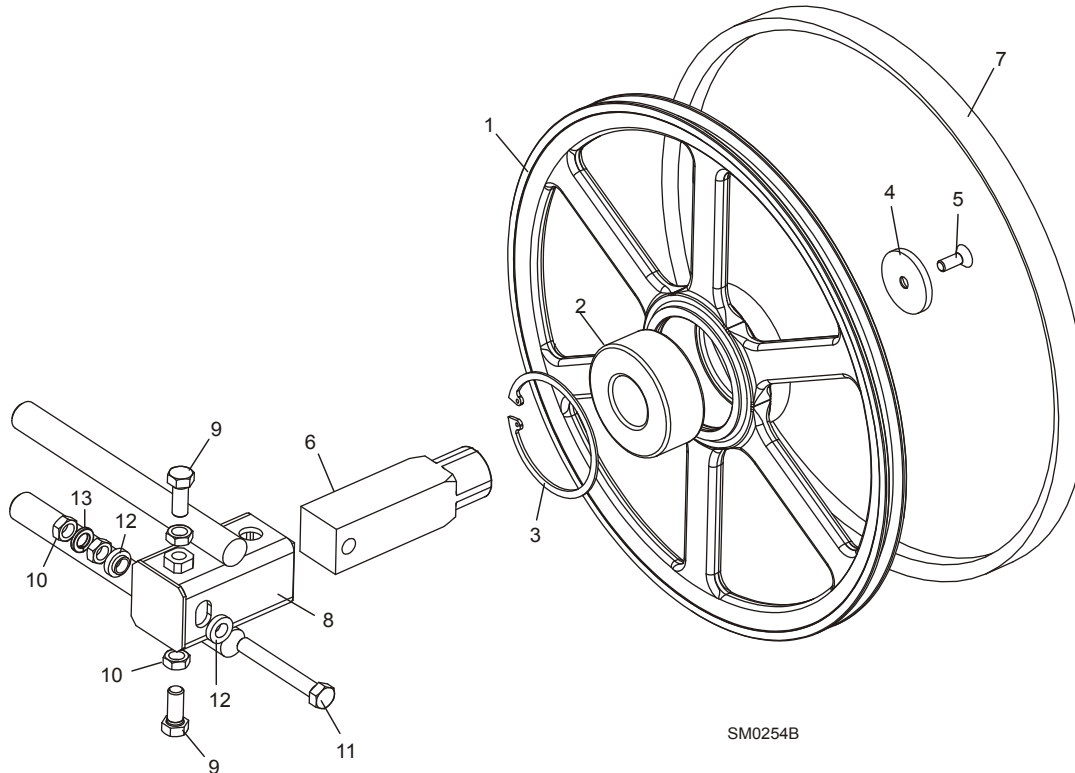
REF	DESCRIPTION (◆ Indicates Parts Available In Assemblies Only)	PART #	QTY.	
	BEARING ASSEMBLY, BLADE WHEEL DRIVE	016393	1	
	Bearing Assembly, Cylindrical Drive	016392	1	◆
1	Housing, Blade Wheel Drive Bearing	016391	1	◆
2	Shaft, Blade Wheel Drive	014005	1	◆
3	Bearing, Blade Wheel Drive #MU1308TV	P10205	1	◆
4	Bearing, Blade Wheel Drive #6308 C3 Open	016055	1	◆
5	Ring, 90mm Interior Retaining #117	F04254-17	2	
6	Seal, Drive Bearing #CR15890	P10206-K	2	
7	Fitting, 1/4" NPT x 3/8" Hose Barb Elbow	016330	1	
8	Fitting, 1/4" NPT x 3/8" Hose Barb Vented Elbow	016331	1	
9	Hose, Oil Level Viewer	016394	1	
10	Clamp, 7/32-5/8" Hose	P649	2	
11	Decal, Oil Level Gauge	017470	1	
	Instruction Sheet, Drive Bearing Replacement	016393-555	1	
12	SCREW, 1/2-20 X 1 1/2" CONE POINT SET	F05004-170	1	
13	BOLT, 1/2-20 X 1 1/4" HEX HEAD GRADE 5	F05008-108	4	
14	BOLT, 1/2-20 X 1 3/4" HEX HEAD GRADE 5	F05008-49	1	
15	NUT, 1/2-20 HEX JAM	F05010-16	6	
	WHEEL KIT, DRIVE SIDE BLADE	014562	1	
16	Wheel, Drive Side Blade	016284	1	◆

3

Blade Wheel & Tensioner*Blade Drive Assembly*

17	Bushing, Modified 1 9/16" SD	016270	1	
18	Key, 3/8" x 3/8" x 1 5/8"	S12892	1	
	Instruction Sheet, Drive Side Blade Wheel Replacement	K12897-488	1	
19	BELT, BLADE WHEEL B57	P04185	1	
20	BELT, 2BXF71 DRIVE (G25/G28)	036163	1	
	PULLEY KIT, 2B124SK DRIVE (G25/G28)	014692	1	
21	Pulley, 2B124SK Drive (G25/G28)	014689	1	◆
22	Bushing, 1 9/16" Type 'SK'	014690	1	
	Key, 3/8" x 3/8" x 1 7/8"	014693	1	
23	WHEEL, BRAKE	014000	1	
24	BUSHING, 1 9/16" P1	014003	1	
25	STRAP, METAL-BACKED BRAKE	014391	1	

3.3 Idle Blade Wheel Assembly



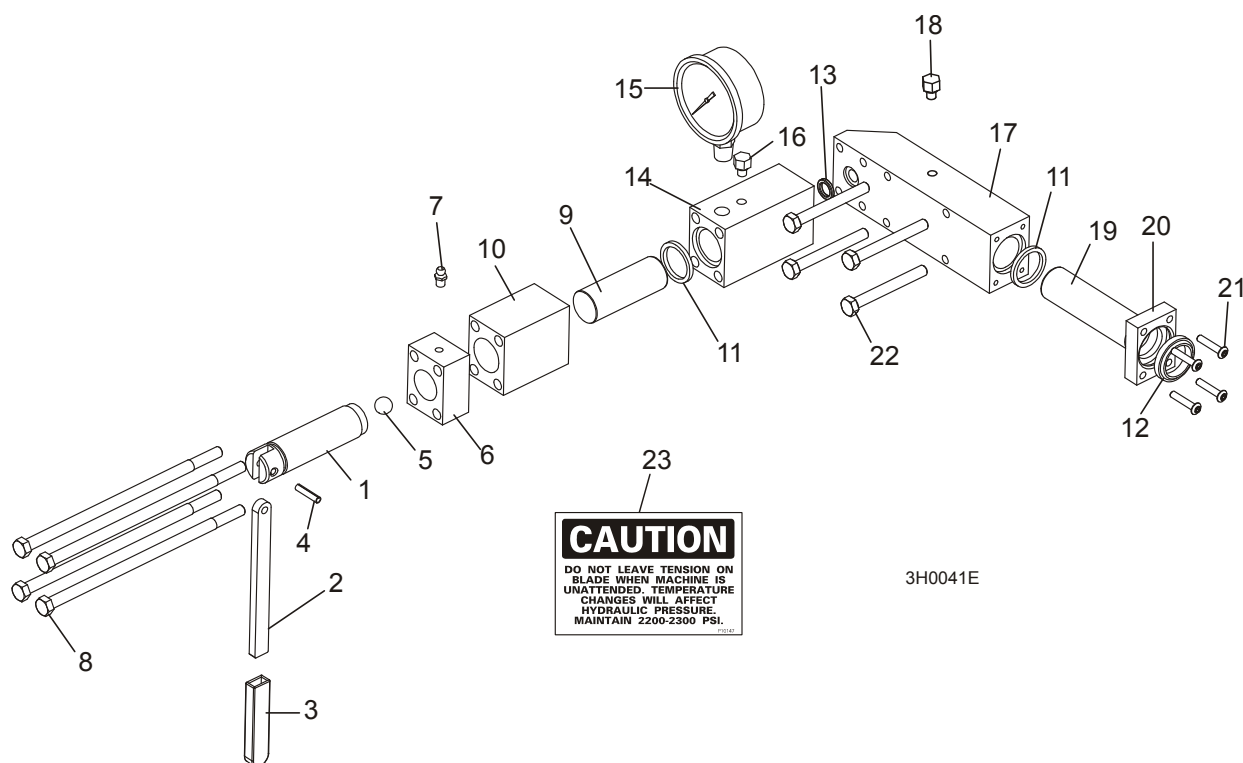
REF	DESCRIPTION (◆ Indicates Parts Available In Assemblies Only)	PART #	QTY.	
	WHEEL ASSEMBLY, IDLE SIDE BLADE	016120	1	
1	Wheel, Idle Side Blade	016013	1	◆
2	Bearing, Idle Side Blade Wheel #5309-2RS, C3, SRI-2 Grease	016014	1	
3	Ring, 100mm Internal Retaining Beveled	F04254-28	1	
	SHAFT KIT, IDLE BLADE WHEEL	016441	1	
4	Washer, 13/32" I.D. x 2 3/16 O.D. x 1/4"	016397	1	
5	Bolt, 3/8-16 x 1" Flat Head Socket	F05007-64	1	
6	Shaft, Idle Side Blade Wheel	016398	1	
7	BELT, BLADE WHEEL B57	P04185	1	
8	HOUSING, IDLE BLADE WHEEL SHAFT	016103	1	
9	BOLT, 1/2-20 X 1 1/2" HEX HEAD GRADE 5	F05008-53 ¹	2	
10	NUT, 1/2-20 HEX JAM	F05010-16	4	
11	BOLT, 1/2-20 X 3 3/4" HEX HEAD FULL THREAD GRADE 2	F05008-111	1	
12	SPACER, 1/2" I.D. FLANGED	S04253	2	
13	WASHER, 1/2" SPLIT LOCK	F05011-9	1	

¹ Replaces 1 1/4" Bolt F05008-108 originally supplied to allow for more tilt adjustment. Requires trimming of blade guide arm drive cover and mount channel to provide clearance for longer bolt (LT30HD Rev. K1.02 & LT40HD Rev. K2.02).

3 Blade Wheels & Tensioner

Hydraulic Blade Tensioner Assembly

3.4 Hydraulic Blade Tensioner Assembly



REF	DESCRIPTION (◆ Indicates Parts Available In Assemblies Only)	PART #	QTY.	
	HYDRAULIC BLADE TENSIONER ASSEMBLY	A10136	1	
	Handle Assembly, Hydraulic Blade Tensioner Screw	A12294	1	
1	Screw, Hydraulic Blade Tensioner	S10056	1	◆
2	Handle, Hydraulic Tensioner Screw	S08174	1	
3	Sleeve, Plastic Handle	P08072	1	
4	Pin, 3/16" x 7/8" Roll	F05012-19	1	
5	Ball, 1/2" Steel	P02720	1	
6	Block, Threaded Tensioner End	S10062	1	◆
7	Fitting, 1/4-28 Grease	P05060	1	
	Instruction Sheet, Tensioner Screw	A12294-518	1	
8	Bolt, 5/16-18 X 7 1/2" Hex Head Grade 5	F05006-43	4	
9	Piston, Hydraulic Tensioner Front 2 3/4" Long	S10060	1	
10	Block, Piston Guide	S10061	1	
	Seal Kit, Hydraulic Tensioner	003224	1	
5	Ball, 1/2" Steel	P02720	1	
11	Seal, 1" Diameter	P10051	2	
12	Wiper, 1" Diameter	P10053	1	
13	Ring, 5/8" X 3/32" Square "O"	P10377	1	

Blade Wheels & Tensioner

Hydraulic Blade Tensioner Assembly

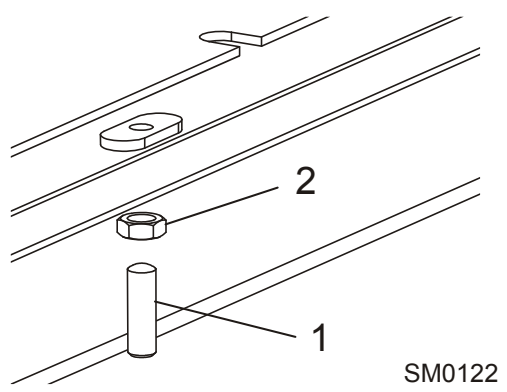
3

14	Block, Hydraulic Tensioner Gauge Mounting	S10140	1	
15	Gauge, 5000 P.S.I.	P10052	1	
16	Plug, Hydraulic Tensioner Fill	P10065	1	
	Block Assembly, Rear Tensioner Piston	016329	1	
17	Block, Rear Tensioner Piston	S10142	1	◆
18	Plug, Hydraulic Tensioner Fill	P10065	1	
19	Piston, Hydraulic Tensioner Rear 3 5/8" Long	S10059	1	
20	Block, Rear Piston End	S10089	1	
21	Bolt, #10-24 X 1" Socket Button Head	F05004-43	4	
22	Bolt, 5/16-18 X 2 3/4" Hex Head Grade 5	F05006-28	4	
23	Decal, Hydraulic Tension Caution	P10147	1	
	Instruction Sheet, Hydraulic Tensioner Installation	A10136-272	1	

4 Saw Head
Middle Throat Screw

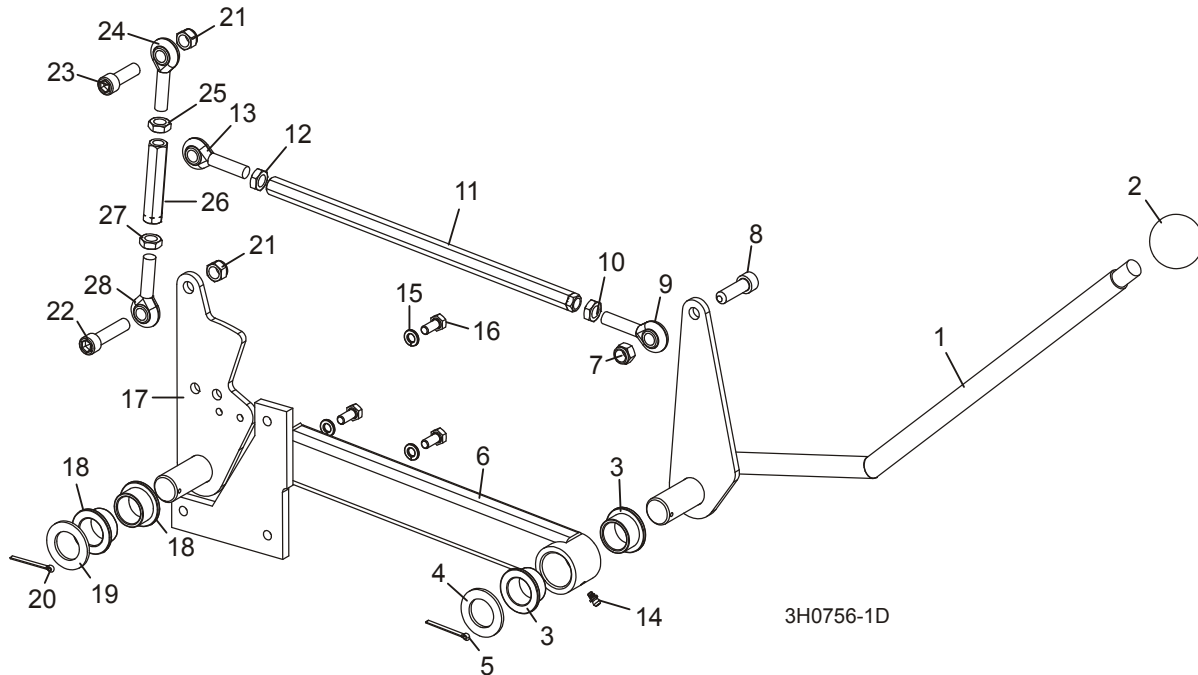
SECTION 4 SAW HEAD

4.1 Middle Throat Screw



REF	DESCRIPTION (◆ Indicates Parts Available In Assemblies Only)	PART #	QTY.	
1	SCREW, 3/8-16 X 1 1/4" OVAL POINT SOCKET SET	F05007-18	1	
2	NUT, 3/8-16 HEX JAM	F05010-29	1	

4.2 Clutch/Brake Lever Assembly (D33/D34/D35/D36/G36/G38)

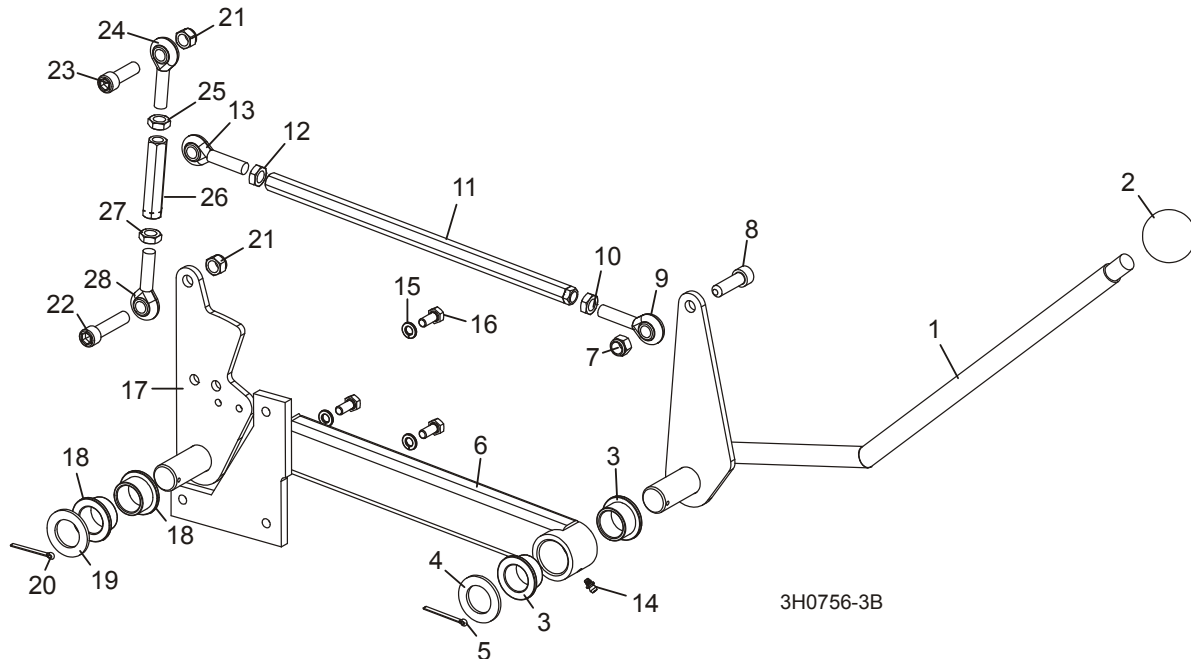


REF	DESCRIPTION (◆ Indicates Parts Available In Assemblies Only)	PART #	QTY.	
	HANDLE ASSEMBLY, EXTENDED CLUTCH/BRAKE	016317	1	
1	Lever, Clutch/Brake	016295	1	◆
2	Knob, Plastic Round	P04211	1	
3	Bushing, Clutch/Brake Pivot	P737	2	
4	Washer, Clutch/Brake Pivot	P116	1	
5	Pin, 1/8" X 1 1/2" Cotter	F05012-49	1	
6	Extension Weldment, Clutch Handle	015241	1	
7	Nut, 7/16-20 Nylon Lock	F05010-83	1	
8	Screw, 7/16-20 x 1 1/2" Socket Head	F05007-55	1	
9	Rod End, 7/16-20 Left Hand Thread	P11578	1	
10	Nut, 7/16-20 Hex Jam Left Hand Thread	F05010-87	1	
11	Rod, Clutch Extension	015073	1	
12	Nut, 7/16-20 Hex Jam	F05010-38	1	
13	Rod End, 7/16-20 Right Hand Thread	P11579	1	
14	Fitting, 3/16" Straight Grease	P04107	1	
15	WASHER, 5/16" SPLIT LOCK	F05011-13	3	
16	BOLT, 5/16-18 X 3/4" HEX HEAD	F05006-5	3	
17	PLATE WELDMENT, CLUTCH PIVOT	016296	1	
18	BUSHING, CLUTCH/BRAKE PIVOT	P737	2	
19	WASHER, CLUTCH/BRAKE PIVOT	P116	1	
20	PIN, 1/8" X 1 1/2" COTTER	F05012-49	1	

4**Saw Head***Clutch/Brake Lever Assembly (D33/D34/D35/D36/G36/G38)*

21	NUT, 7/16-20 HEX NYLON LOCK	F05010-83	2	
22	BOLT, 7/16-20 X 2" SOCKET HEAD	F05007-120	1	
23	BOLT, 7/16-20 X 1 1/2" SOCKET HEAD	F05007-55	1	
	TURNBUCKLE ASSEMBLY, 3 1/2" CLUTCH/BRAKE LEVER	A11576	1	
24	Rod End, 7/16-20 Right Hand Thread	P11579	1	
25	Nut, 7/16-20 Hex Jam	F05010-38	1	
26	Turnbuckle, 3 1/2" Clutch/Brake Lever	S12262	1	◆
27	Nut, 7/16-20 Hex Jam Left Hand Thread	F05010-87	1	
28	Rod End, 7/16-20 Left Hand Thread	P11578	1	

4.3 Clutch/Brake Lever Assembly (G28/G25)



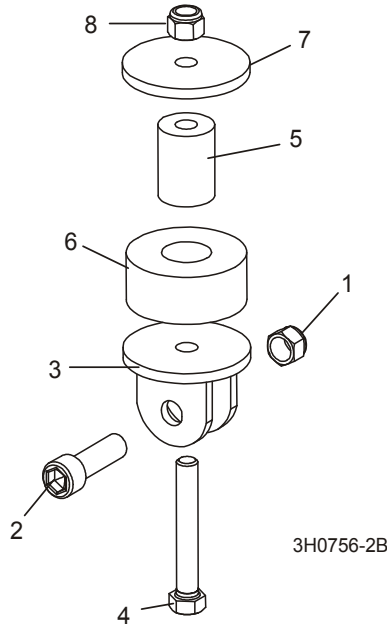
REF	DESCRIPTION (◆ Indicates Parts Available In Assemblies Only)	PART #	QTY.	
	HANDLE ASSEMBLY, EXTENDED CLUTCH/BRAKE	016317	1	
1	Lever, Clutch/Brake	016295	1	◆
2	Knob, Plastic Round	P04211	1	
3	Bushing, Clutch/Brake Pivot	P737	2	
4	Washer, Clutch/Brake Pivot	P116	1	
5	Pin, 1/8" X 1 1/2" Cotter	F05012-49	1	
6	Extension Weldment, Clutch Handle	015241	1	
7	Nut, 7/16-20 Nylon Lock	F05010-83	1	
8	Screw, 7/16-20 x 1 1/2" Socket Head	F05007-55	1	
9	Rod End, 7/16-20 Left Hand Thread	P11578	1	
10	Nut, 7/16-20 Hex Jam Left Hand Thread	F05010-87	1	
11	Rod, Clutch Extension	015073	1	
12	Nut, 7/16-20 Hex Jam	F05010-38	1	
13	Rod End, 7/16-20 Right Hand Thread	P11579	1	
14	Fitting, 3/16" Straight Grease	P04107	1	
15	WASHER, 5/16" SPLIT LOCK	F05011-13	3	
16	BOLT, 5/16-18 X 3/4" HEX HEAD	F05006-5	3	
17	PLATE WELDMENT, CLUTCH PIVOT	016296	1	
18	BUSHING, CLUTCH/BRAKE PIVOT	P737	2	
19	WASHER, CLUTCH/BRAKE PIVOT	P116	1	
20	PIN, 1/8" X 1 1/2" COTTER	F05012-49	1	

4

Saw Head*Clutch/Brake Lever Assembly (G28/G25)*

21	NUT, 7/16-20 HEX NYLON LOCK	F05010-83	2	
22	BOLT, 7/16-20 X 2" SOCKET HEAD	F05007-120	1	
23	BOLT, 7/16-20 X 1 1/2" SOCKET HEAD	F05007-55	1	
	TURNBUCKLE ASSEMBLY, 3" CLUTCH/BRAKE LEVER	A12304	1	
24	Rod End, 7/16-20 Right Hand Thread	P11579	1	
25	Nut, 7/16-20 Hex Jam	F05010-38	1	
26	Turnbuckle, 3" Clutch/Brake Lever	S11577-W	1	◆
27	Nut, 7/16-20 Hex Jam Left Hand Thread	F05010-87	1	
28	Rod End, 7/16-20 Left Hand Thread	P11578	1	

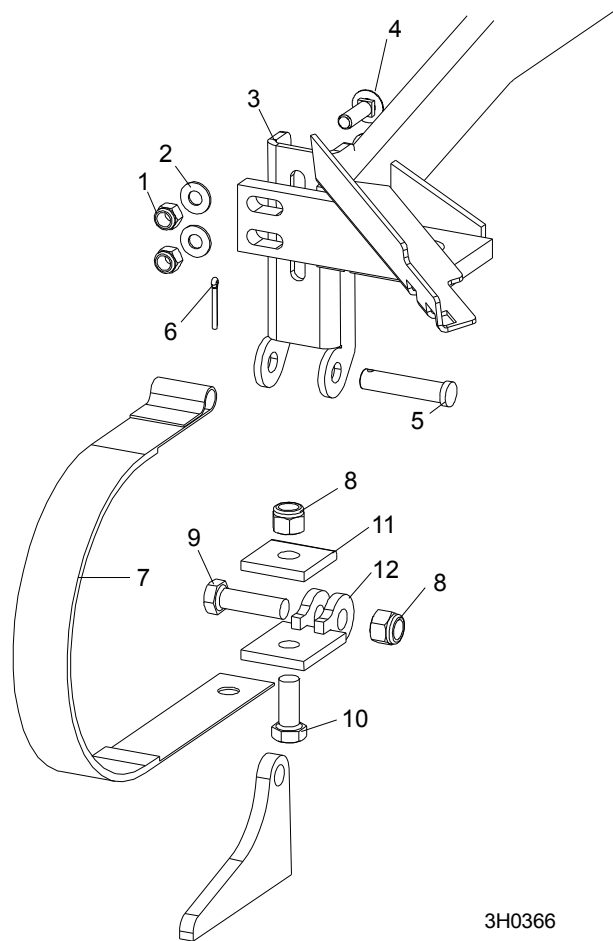
4.4 Clutch Mount Assembly



REF	DESCRIPTION (◆ Indicates Parts Available In Assemblies Only)	PART #	QTY.
1	NUT, 7/16-20 HEX NYLON LOCK	F05010-83	1
2	BOLT, 7/16-20 X 1 1/2" SOCKET HEAD	F05007-55	1
3	BRACKET, CLUTCH MOUNT	W12411	1
4	BOLT, 3/8-16 X 2 1/2" HEX HEAD	F05007-157	1
5	SPACER, MOTOR MOUNT VIBRATION BUSHING	016316	1
6	BUSHING, MOTOR MOUNT VIBRATION	P05032	1
7	WASHER, .40" I.D. X 1.44" O.D. X .18" THICK	021276	1
8	NUT, 3/8-16 NYLON LOCK	F05010-10	1

4 Saw Head Brake Assembly

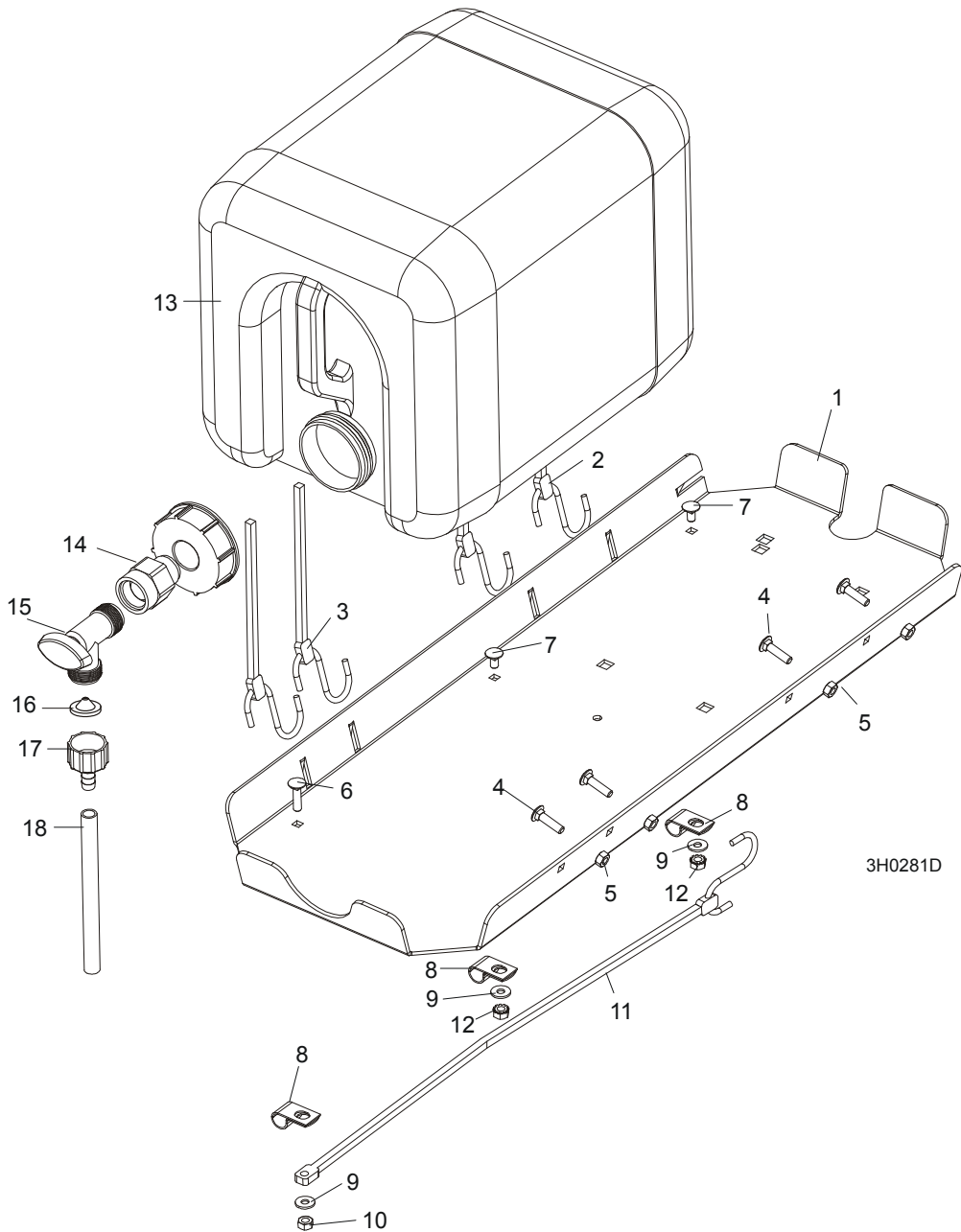
4.5 Brake Assembly



3H0366

REF	DESCRIPTION (◆ Indicates Parts Available In Assemblies Only)	PART #	QTY.
	STRAP RETROFIT, SUPER BRAKE	014441	1
1	Nut, 3/8-16 Nylon Lock	F05010-10	2
2	Washer, 3/8" SAE Flat	F05011-3	2
3	Bracket, Upper Super Brake Strap Mount	014395	1
4	Bolt, 3/8-16 x 1 1/4" Carriage Head Grade 5	F05007-127	2
5	Pin, 1/2" x 2 1/4" Clevis	F05012-81	1
6	Pin, 1/8" x 1" Cotter	F05012-1	1
7	Strap, Upper Pivot Metal Brake	014391	1
8	Nut, 1/2-13 Nylon Lock	F05010-8	2
9	Bolt, 1/2-13 x 1 3/4" Hex Head Grade 5	F05008-88	1
10	Bolt, 1/2-13 x 1 1/4" Hex Head Grade 5	F05008-37	1
11	Plate, Brake Strap Clamp	S04195	1
12	Bracket, Lower Super Brake Strap Mount	014392	1

4.6 Water Lube Assembly



REF	DESCRIPTION (◆ Indicates Parts Available In Assemblies Only)	PART #	QTY.	
	TRAY ASSEMBLY, FUEL TANK/WATER BOTTLE	A11685	1	
1	Tray, Fuel Tank/Water Bottle	S11684	1	◆
2	Strap, 24" Rubber (For Fuel Tank - See Engine Manual)	P11258	2	
3	Strap, 20" Rubber	P11668	2	

4

Saw Head*Water Lube Assembly*

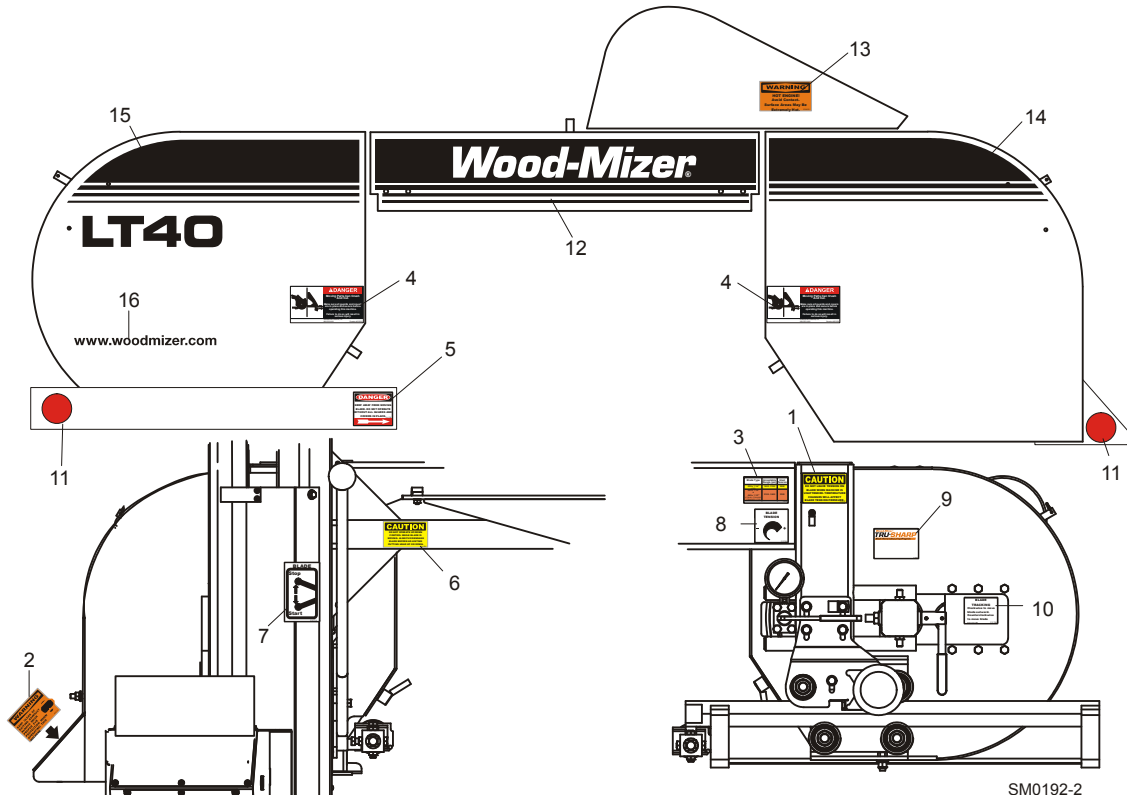
4	Bolt, 1/4-20 X 1" Carriage Head	F05005-34	4	
5	Nut, 1/4-20 Hex Lock	F05010-21	4	
6	BOLT, 1/4-20 X 1" CARRIAGE HEAD	F05005-34	1	
7	BOLT, 1/4-20 X 1/2" CARRIAGE HEAD	F05005-33	2	
8	CLAMP, 1/2" EMT HOSE	P07584	3	
9	WASHER, 1/4" SAE FLAT	F05011-11	3	
10	NUT, 1/4-20 HEX LOCK	F05010-21	1	
11	STRAP, 15" RUBBER	P07461	1	
12	NUT, 1/4-20 SELF-LOCKING	F05010-9	2	
13	BOTTLE ASSY, WATER LUBE W/CAP	014642 ¹	1	
14	FITTING, 3/4FPT X 3/4MPT	014636	1	
15	FITTING, WATER LUBE SHUTOFF VALVE	014100	1	
16	FILTER, WATER LUBE	016086	1	
17	FITTING, 5/8" NPT TO 3/8" HOSE BARB	014113	1	
18	TUBING, WATER LUBE 3/8" I.D.	R01885	7 ft.	

¹ Use Water Bottle Assembly w/Cap 014642 to service all bottle/cap combinations previously supplied. Bottle 014367, 61mm Cap 014773 and 70mm Cap 036744 no longer available separately.

4.7 Saw Head Decals

LT30HD
LT40HD

Rev. K1.02 (1/08+) - K3.03
Rev. K3.00 (1/08+) - K5.03



SM0192-2

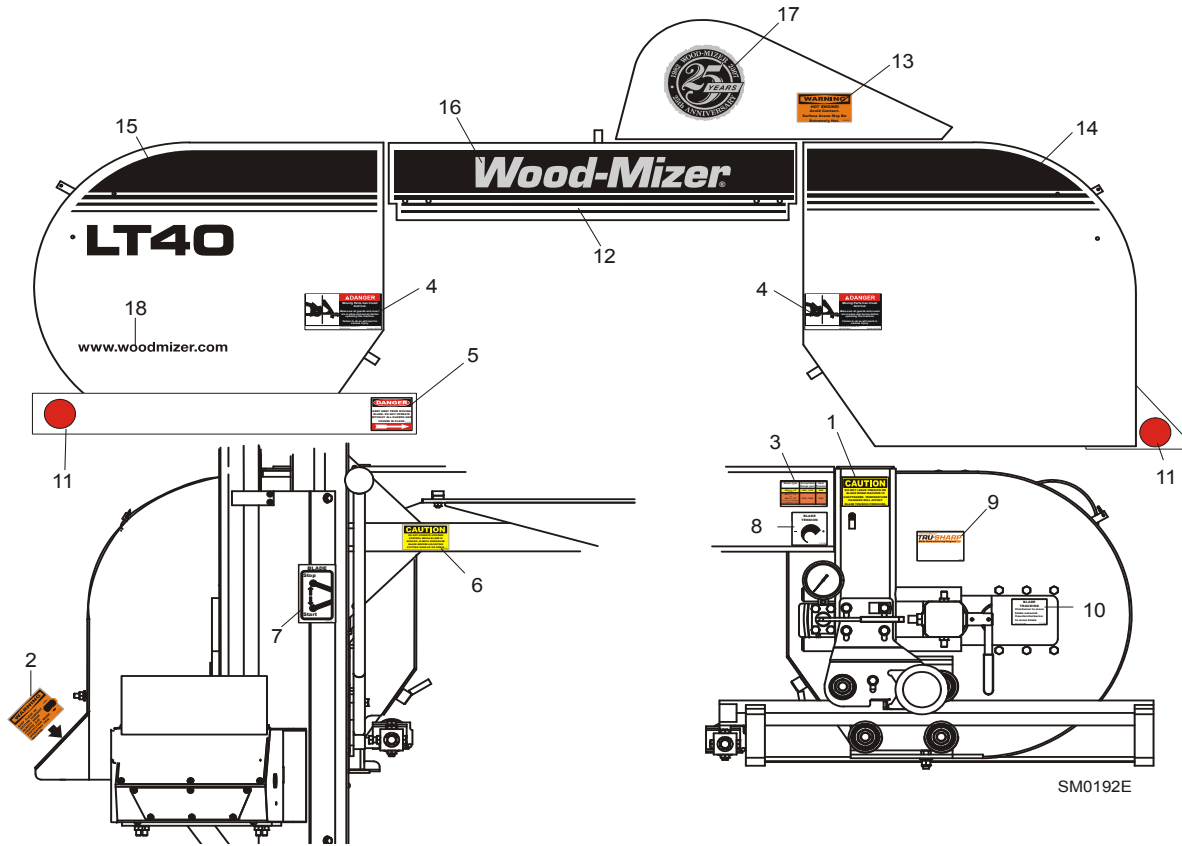
REF	DESCRIPTION (◆ Indicates Parts Available In Assemblies Only)	PART #	QTY.
1	DECAL, BLADE TENSION CAUTION	P10147	1
2	DECAL, SAWDUST CHUTE WARNING	P11754	1
3	DECAL, BLADE TENSION RANGES	P12373	1
4	DECAL, BLADE COVERS DANGER	033254	2
5	DECAL, BLADE DANGER ARROW RIGHT	S11752	1
6	DECAL, UP/DOWN CAUTION	S11762	1
7	DECAL, BLADE START/STOP	P11779	1
8	DECAL, BLADE TENSION INFO	P11790	1
9	DECAL, TRU-SHARP INFO	P12879	1
10	DECAL, BLADE ALIGNMENT INFO	P11789	1
11	DECAL, RED REFLECTIVE 2" ROUND	P07452	2
12	DECAL, MIDDLE COVER	003244	1
13	DECAL, HOT ENGINE WARNING	014419	1
14	DECAL, BLADE HOUSING COVER (DRIVE SIDE)	003243	1
15	DECAL, BLADE HOUSING COVER (IDLE SIDE LT30)	003245	1
	DECAL, BLADE HOUSING COVER (IDLE SIDE LT40)	003246	1
16	DECAL, WOOD-MIZER WEBSITE	003235	1

4 Saw Head Saw Head Decals

4.8 Saw Head Decals

LT30HD
LT40HD

Rev. K1.00 (1/07) - K1.02 (12/07)
Rev. K2.00 (1/07) - K3.00 (12/07)



REF	DESCRIPTION (◆ Indicates Parts Available In Assemblies Only)	PART #	QTY.
1	DECAL, BLADE TENSION CAUTION	P10147	1
2	DECAL, SAWDUST CHUTE WARNING	P11754	1
3	DECAL, BLADE TENSION RANGES	P12373	1
4	DECAL, BLADE COVERS DANGER	033254	2
5	DECAL, BLADE DANGER ARROW RIGHT	S11752	1
6	DECAL, UP/DOWN CAUTION	S11762	1
7	DECAL, BLADE START/STOP	P11779	1
8	DECAL, BLADE TENSION INFO	P11790	1
9	DECAL, TRU-SHARP INFO	P12879	1
10	DECAL, BLADE ALIGNMENT INFO	P11789	1
11	DECAL, RED REFLECTIVE 2" ROUND	P07452	2
12	DECAL, MIDDLE COVER	003244 ¹	1
13	DECAL, HOT ENGINE WARNING	014419	1
14	DECAL, BLADE HOUSING COVER (DRIVE SIDE)	003243 ¹	1

15	DECAL, BLADE HOUSING COVER (IDLE SIDE LT30)	003245 ¹	1	
	DECAL, BLADE HOUSING COVER (IDLE SIDE LT40)	003246 ¹	1	
16	DECAL, SILVER WOOD-MIZER LOGO	003234 ¹	1	
17	DECAL, ANNIVERSARY LOGO	003236 ¹	1	
18	DECAL, WOOD-MIZER WEBSITE	003235	1	

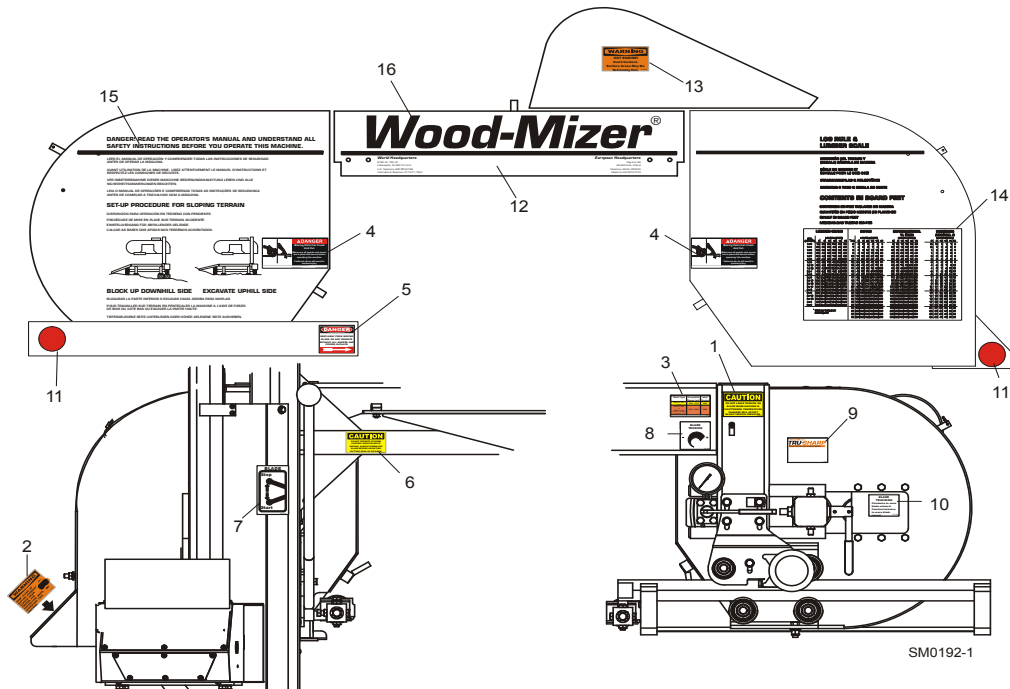
¹ Log Scale Decal 016243, Sawmill Setup Decal 016242, & Hydraulic Logo Decal S12590 replaced with new logo decals 1/07.

4 Saw Head Saw Head Decals

4.9 Saw Head Decals

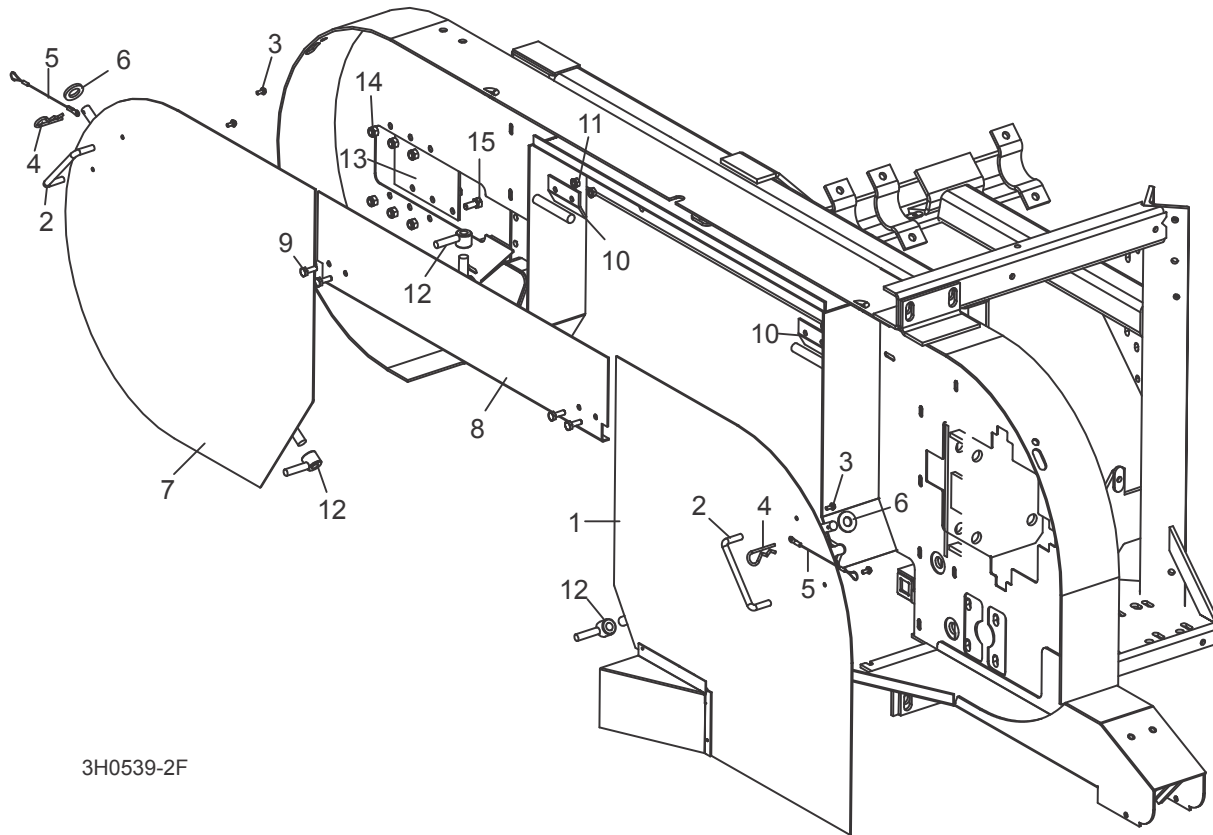
LT30HD
LT40HD

Rev. J7.01 - K1.00 (12/06)
Rev. J8.01 - K2.00 (12/06)



REF	DESCRIPTION (◆ Indicates Parts Available In Assemblies Only)	PART #	QTY.
1	DECAL, BLADE TENSION CAUTION	P10147	1
2	DECAL, SAWDUST CHUTE WARNING	P11754	1
3	DECAL, BLADE TENSION RANGES	P12373	1
4	DECAL, BLADE COVERS DANGER	033254	2
5	DECAL, BLADE DANGER ARROW RIGHT	S11752	1
6	DECAL, UP/DOWN CAUTION	S11762	1
7	DECAL, BLADE START/STOP	P11779	1
8	DECAL, BLADE TENSION INFO	P11790	1
9	DECAL, TRU-SHARP INFO	P12879	1
10	DECAL, BLADE ALIGNMENT INFO	P11789	1
11	DECAL, RED REFLECTIVE 2" ROUND	P07452	2
12	DECAL, HYDRAULIC	S12590	1
13	DECAL, HOT ENGINE WARNING	014419	1
14	DECAL, BLADE HOUSING COVER (DRIVE SIDE)	016243	1
15	DECAL, BLADE HOUSING COVER (IDLE SIDE)	016242	1
16	DECAL, BLADE HOUSING COVER (MIDDLE)	016244	1

4.10 Blade Housing Covers



3H0539-2F

REF	DESCRIPTION (◆ Indicates Parts Available In Assemblies Only)	PART #	QTY.	
	COVER ASSEMBLY, DRIVE SIDE BLADE HOUSING WITH HANDLE	015937 ¹	1	
1	Cover, Drive Side Blade Housing (Includes Cover Decal - See Section 4.7)	015911	1	◆
2	Handle, Blade Housing Cover	P08065	1	
3	Screw, #8-32 X 3/8" Self-Tap	F05015-8	2	
	Pin Assembly, Cover Retainer	A12812	1	
4	Pin, Safety Retainer	P05059	1	
5	Cable, 3/64" x 6" Lanyard	016030	1	
6	Washer, 1/2" ID x 1 1/8" OD x .093" Rubber	F05011-87	1	
	COVER, IDLE SIDE BLADE HOUSING WITH HANDLE	A09419	1	
7	Cover, Idle Side Blade Housing (Includes Cover Decal - See Section 4.7)	W09351	1	◆
2	Handle, Blade Housing Cover	P08065	1	
3	Screw, #8-32 X 3/8" Self-Tap	F05015-8	2	
	Pin Assembly, Cover Retainer	A12812	1	
4	Pin, Safety Retainer	P05059	1	
5	Cable, 3/64" x 6" Lanyard	016030	1	

4

Saw Head*Blade Housing Covers*

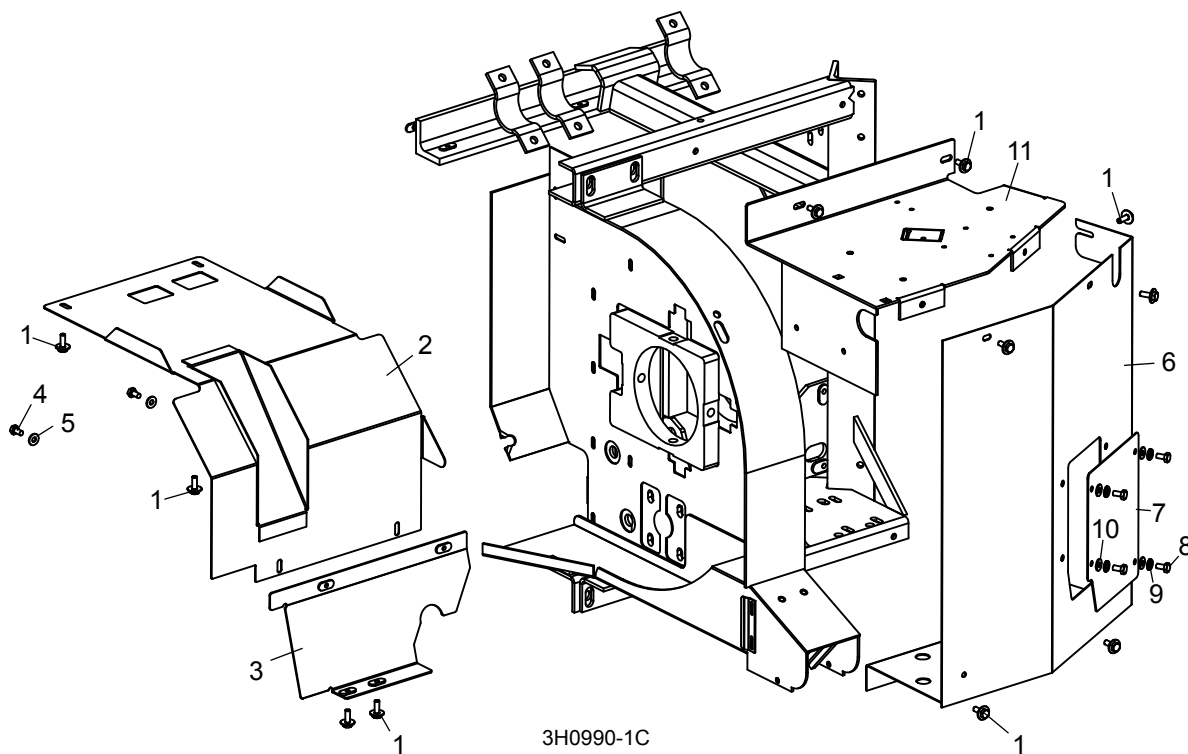
6	Washer, 1/2" ID x 1 1/8" OD x .093" Rubber	F05011-87	1	
8	COVER, MIDDLE BLADE HOUSING	W07409	1	
9	BOLT, 1/4-20 X 3/4" HEX HEAD	F05005-1	18	
10	HINGE, MIDDLE BLADE HOUSING COVER	S07522	2	
11	NUT, 1/4-20 SELF-LOCKING HEX	F05010-9	4	
12	NUT, COVER TURN	021145	3	
13	PLATE, IDLE BLADE WHEEL GUARD	S04433	1	
14	NUT, 5/16-18 HEX NYLON LOCK	F05010-58	6	
15	BOLT, 5/16-18 X 3/4" HEX HEAD GRADE 2	F05006-5	6	

¹ Removed (1) 015734 Sawdust Exit Funnel and (7) F04203-8 1/8" x 1/8" Aluminum Pop Rivet and changed to welded funnel to improve durability (LT40HD Rev. K6.07).

4.11 Drive Belt Covers

LT30HD
LT40HD

Rev. K1.03 - K3.03
Rev. K3.01 - K5.03



REF	DESCRIPTION (◆ Indicates Parts Available In Assemblies Only)	PART #	QTY.
1	BOLT, 1/4-20 X 3/4" HEX HEAD WITH CONICAL WASHER	F05005-134	11
2	GUARD WELDMENT, STANDARD LOWER DRIVE BELT	006028 ¹	1
3	MOUNT WELDMENT, LOWER DRIVE BELT	006025	1
4	BOLT, 1/4-20 X 1/2" HEX HEAD	F05005-15	2
5	WASHER, 1/4" SAE FLAT	F05011-11	2
6	GUARD, DRIVE PULLEY SIDE	W11537 ²	1
7	PLATE, BELT COVER ENCLOSURE	006870 ²	1
8	BOLT, 1/4-20 X 1/2" HEX HEAD	F05005-15	4
9	WASHER, 1/4" SPLIT LOCK	F05011-14	4
10	WASHER, 1/4" SAE FLAT	F05011-11	4
11	GUARD, DRIVE PULLEY TOP	W11750	1

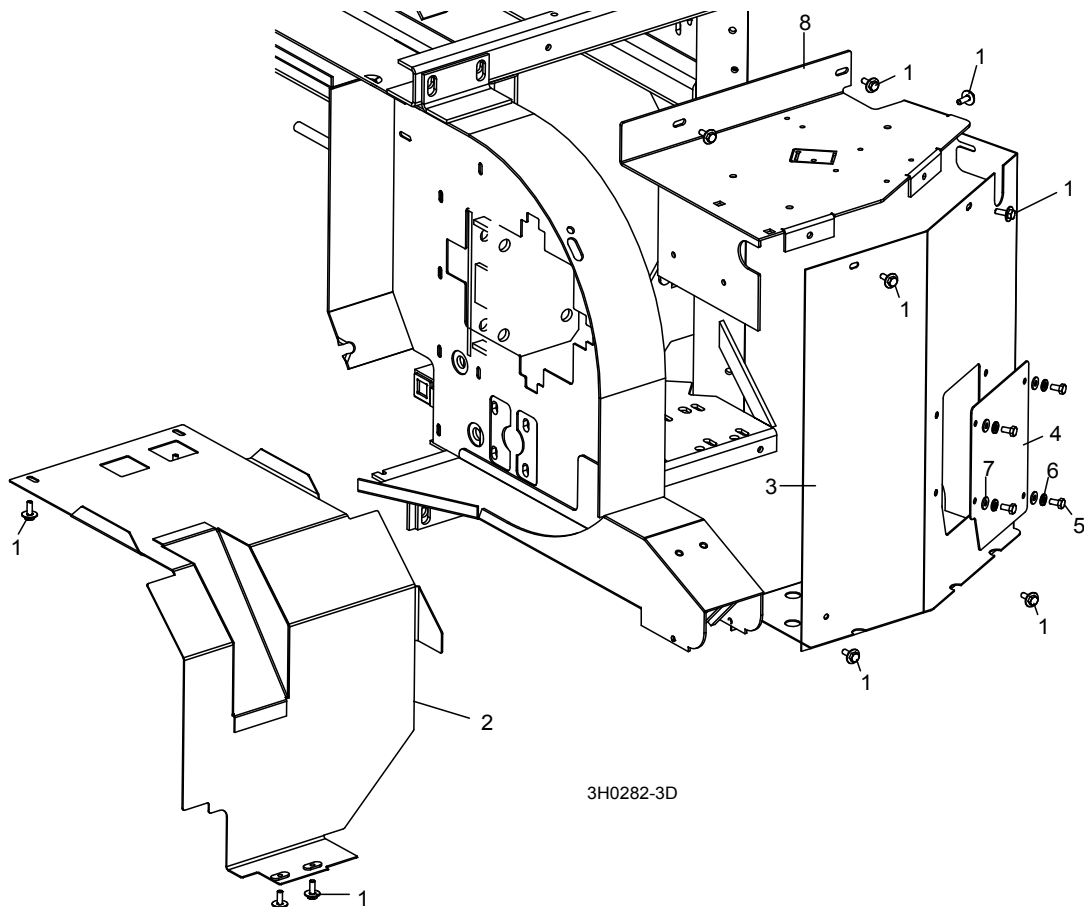
¹ For sawmills equipped with standard manual clutch handle only. See Autoclutch Option manual for alternate guards. [See Section 4.15](#) for alternate guard for sawmill equipped with board return option.

² Guard W11537 modified LT30HD Rev. K3.01 and LT40HD Rev. K5.01. Cutout added to accommodate Simple Set encoder sensor. Plate 006870 added to cover cutout on sawmills without Simple Set. Plate 006870 modified 10/09 to accommodate Super model covers.

4.12 Drive Belt Covers

LT30HD
LT40HD

Rev. J7.01 - K1.02
Rev. J8.01 - K3.00

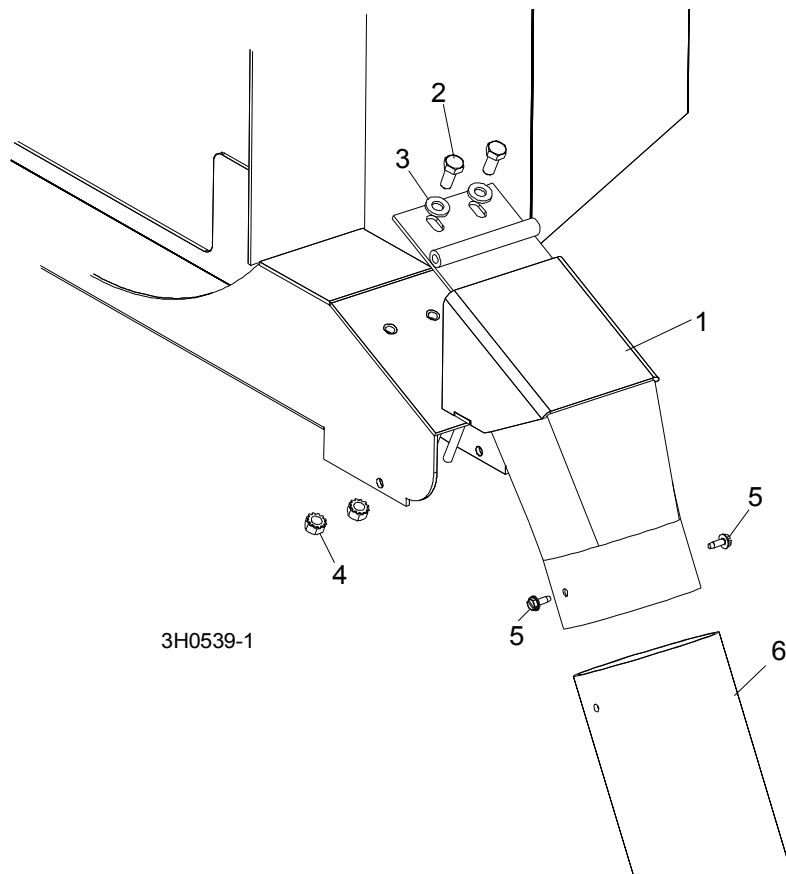


REF	DESCRIPTION (◆ Indicates Parts Available In Assemblies Only)	PART #	QTY.	
1	BOLT, 1/4-20 X 3/4" HEX HEAD WITH CONICAL WASHER	F05005-134	11	
2	GUARD, STANDARD LOWER DRIVE BELT	014241 ¹	1	
3	GUARD, DRIVE PULLEY SIDE	W11537 ²	1	
4	PLATE, BELT COVER ENCLOSURE	006870 ²	1	
5	BOLT, 1/4-20 X 1/2" HEX HEAD	F05005-15	4	
6	WASHER, 1/4" SPLIT LOCK	F05011-14	4	
7	WASHER, 1/4" SAE FLAT	F05011-11	4	
8	GUARD, DRIVE PULLEY TOP	W11750	1	

¹ For sawmills equipped with standard manual clutch handle only. See Autoclutch Option manual for alternate guards. [See Section 4.15](#) for alternate guard for sawmill equipped with board return option.

² Guard W11537 modified 3/09. Cutout added to accommodate Simple Set encoder sensor. Plate 006870 added to cover cutout on sawmills without Simple Set. Plate 006870 modified 10/09 to accommodate Super model covers.

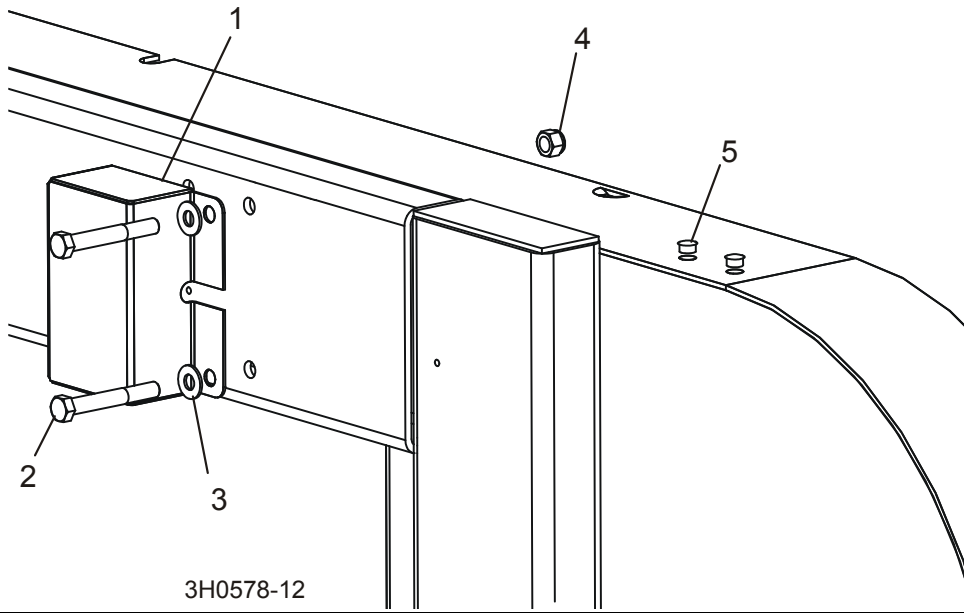
4.13 Sawdust Chute



REF	DESCRIPTION (◆ Indicates Parts Available In Assemblies Only)	PART #	QTY.
1	CHUTE WELDMENT, SAWDUST	015466	1
2	BOLT, 5/16-18 X 3/4" HEX HEAD GRADE 2	F05006-5	2
3	WASHER, 5/16" SAE FLAT	F05011-17	2
4	NUT, 5/16-18 SELF-LOCKING HEX	F05010-20	2
5	BOLT, #10-24 X 1/2" SELF-TAPPING	F05015-7	2
6	TUBING, RUBBER SAWDUST	016727	1
	STRAP, 20" RUBBER W/HOOK	P11668	1
	BOLT, 1/4-20 X 1 1/4" HEX HEAD FULL THREAD	F05005-3	1
	WASHER, 1/4" SAE FLAT	F05011-11	1
	NUT, 1/4-20 LOCK	F05010-21	1

4 Saw Head
Debarker Wire Box/Hole Plugs

4.14 Debarker Wire Box/Hole Plugs

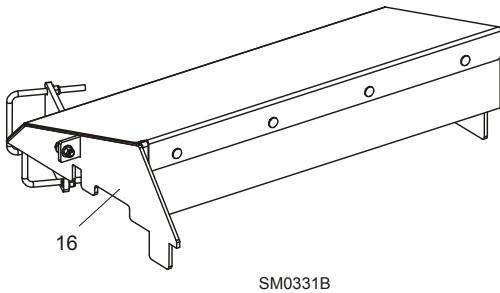
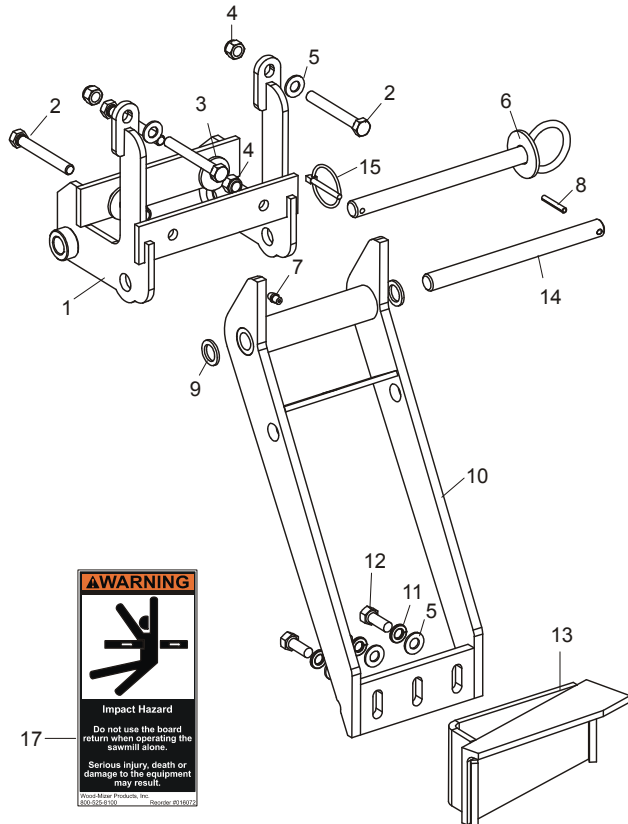
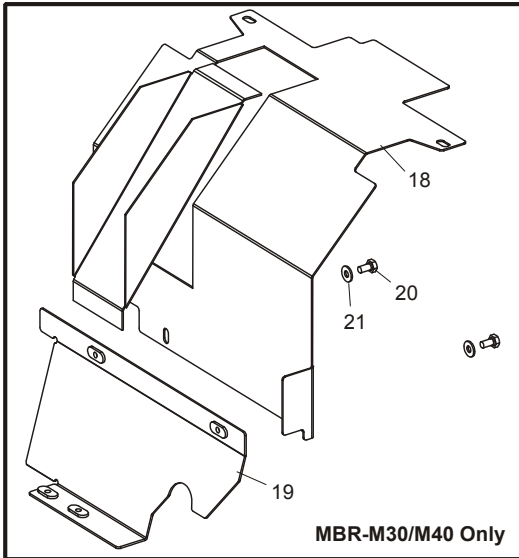


REF	DESCRIPTION (◆ Indicates Parts Available In Assemblies Only)	PART #	QTY.
1	BOX, DEBARKER WIRE STORAGE	023616	1
2	BOLT, 3/8-16 X 2 3/4" HEX HEAD	F05007-29	2
3	WASHER, 3/8" SAE FLAT	F05011-3	2
4	NUT, 3/8-16 HEX NYLON LOCK	F05010-10	2
5	PLUG, 13/32" PLASTIC HOLE	014537	2

4.15 Board Return Assembly (Optional)

LT30HD
LT40HD

Rev. K1.01 - K3.03
Rev. K2.01 - K5.03



REF	DESCRIPTION (◆ Indicates Parts Available In Assemblies Only)	PART #	QTY.
	RETURN OPTION, NON-SUPER BOARD (MANUAL CLUTCH, LT30)	MBR-M30 ¹	1
	RETURN OPTION, NON-SUPER BOARD (MANUAL CLUTCH, LT40)	MBR-M40 ¹	1
	RETURN OPTION, NON-SUPER BOARD (AUTOCLUTCH, LT30)	MBR-A30 ¹	1
	RETURN OPTION, NON-SUPER BOARD (AUTOCLUTCH, LT40)	MBR-A40 ¹	1
	Return Assembly, Optional Non-Super Board	036693	1
1	Mount Weldment, Board Return	036691	1
2	Bolt, 3/8-16 x 3" Full Thread Hex Head	F05007-1	4
3	Washer, 1/8" x 1 1/4"	015336	2
4	Nut, 3/8-16 Hex Nylon Lock	F05010-10	4
5	Washer, 3/8" Flat	F05011-3	5
6	Pin Weldment, Board Return Arm Support	036692	1
7	Fitting, 1/4-28 Grease	P05060	1

4

Saw Head

Board Return Assembly (Optional)

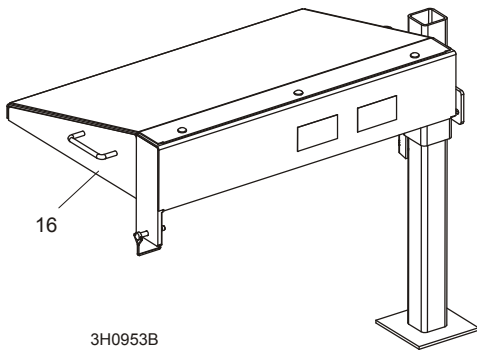
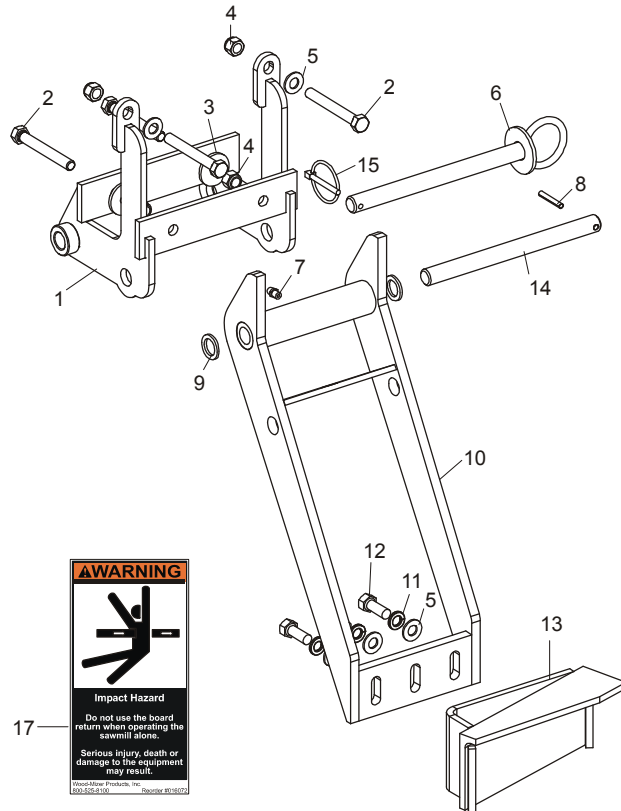
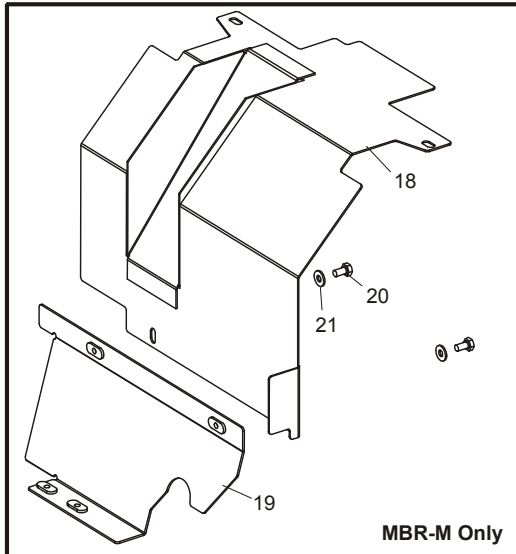
8	Pin, 3/16 x 1 1/4" Roll	F05012-16	1	
9	Washer, 5/8" x 15/16" x .094 Nylon	F05011-19	2	
10	Arm Weldment, Board Return	015210	1	
11	Washer, 3/8" Split	F05011-4	3	
12	Bolt, 3/8-16 x 1" Hex Head	F05007-7	3	
13	Bracket Weldment, Board Return	015652	1	
14	Rod, 5/8" x 7 5/8"	015225	1	
15	Pin, 3/16" Retaining w/Chain	017604	1	
16	Board Return Table Parts (See Section 8.12)			
17	Decal, Board Return Warning	016072	1	
Parts Listed Below Included in MBR-M30/M40 for Sawmills with Manual Clutch Lever Only:				
18	Guard Weldment, Clutch Handle	006026 ¹	1	
19	Mount Weldment, Clutch Handle Guard	006025 ¹	1	
20	Bolt, 1/4-20 x 1/2" Hex Head	F05005-15	2	
21	Washer, 1/4" SAE Flat	F05011-11	2	

¹ Factory-Installed Mechanical Board Return Options MBR-M (for manual clutch) and MBR-A (for Autoclutch) available 1/07. Use kit 003266 (LT30) or 003268 (LT40) to retrofit '07+ sawmills equipped with manual clutch. Use kit 003267 (LT30) or 003269 (LT40) to retrofit '07+ sawmills equipped with Autoclutch. Kits for sawmills with manual clutch handle updated with new guard and guard mount to accommodate new blade guide design available 2/08. 006026 Guard Weldment & 006025 Guard Mount Weldment replace 015657 & 015678.

4.16 Board Return (Optional)

LT30HD
LT40HD

Rev. J7.01 - K1.00
Rev. J8.01 - K2.00



REF	DESCRIPTION (◆ Indicates Parts Available In Assemblies Only)	PART #	QTY.	
	RETURN OPTION, NON-SUPER BOARD (MANUAL CLUTCH)	MBR-M ¹	1	◆
	RETURN OPTION, NON-SUPER BOARD (AUTOCLUTCH)	MBR-A ¹	1	◆
	Return Assembly, Optional Non-Super Board	036693	1	
1	Mount Weldment, Board Return	036691	1	
2	Bolt, 3/8-16 x 3" Full Thread Hex Head	F05007-1	4	
3	Washer, 1/8" x 1 1/4"	015336	2	
4	Nut, 3/8-16 Hex Nylon Lock	F05010-10	4	
5	Washer, 3/8" Flat	F05011-3	5	
6	Pin Weldment, Board Return Arm Support	036692	1	
7	Fitting, 1/4-28 Grease	P05060	1	

4

Saw Head

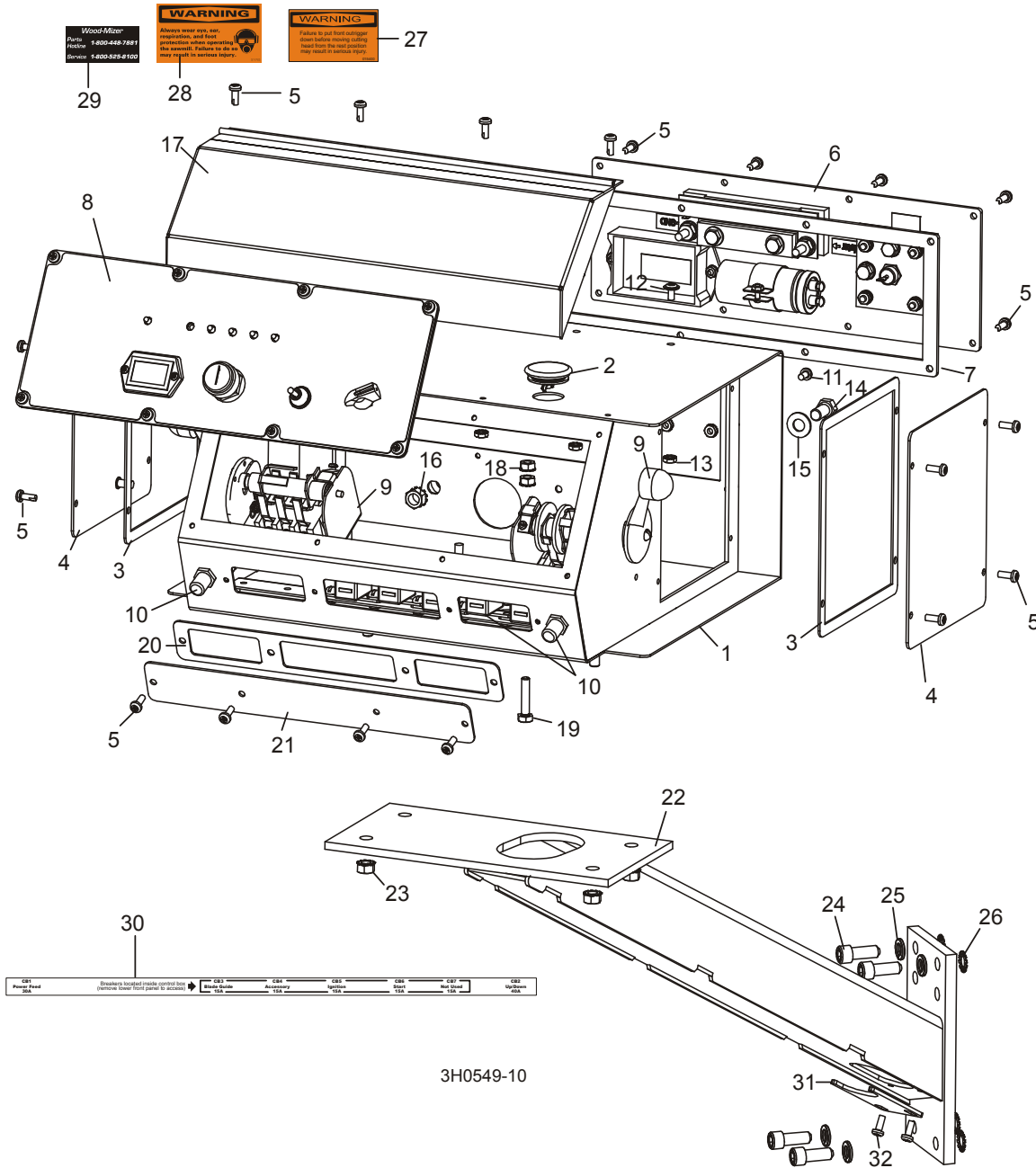
Board Return (Optional)

8	Pin, 3/16 x 1 1/4" Roll	F05012-16	1	
9	Washer, 5/8" x 15/16" x .094 Nylon	F05011-19	2	
10	Arm Weldment, Board Return	015210	1	
11	Washer, 3/8" Split	F05011-4	3	
12	Bolt, 3/8-16 x 1" Hex Head	F05007-7	3	
13	Bracket Weldment, Board Return	015652	1	
14	Rod, 5/8" x 7 5/8"	015225	1	
15	Pin, 3/16" Retaining w/Chain	017604	1	
16	Board Return Table Parts (See Section 8.13)			
17	Decal, Board Return Warning	016072	1	
Parts Listed Below Included in MBR-M for Sawmills with Manual Clutch Lever Only:				
18	Guard Weldment, Clutch Handle	006026 ¹	1	
19	Mount Weldment, Clutch Handle Guard	006025 ¹	1	
20	Bolt, 1/4-20 x 1/2" Hex Head	F05005-15	2	
21	Washer, 1/4" SAE Flat	F05011-11	2	

¹ Factory-Installed Mechanical Board Return Options MBR-M (for manual clutch) and MBR-A (for Autoclutch) obsolete. Use kit 036667 to retrofit 97-06 sawmills equipped with manual clutch. Use kit 036668 to retrofit 97-06 sawmills equipped with Autoclutch. Kits for sawmills with manual clutch handle updated with new guard and guard mount to accommodate new blade guide design available 2/08. 006026 Guard Weldment & 006025 Guard Mount Weldment replace 015657 & 015678.

SECTION 5 CONTROL & BATTERY BOXES

5.1 Control Assembly



REF	DESCRIPTION (◆ Indicates Parts Available In Assemblies Only)	PART #	QTY.
	COVER, SAWMILL CONTROL CONSOLE	015764	1
	COVER, SAWMILL CONTROL CONSOLE W/ACCUSER	036352	1

5 Control & Battery Boxes

Control Assembly

	CONTROL BOX ASSEMBLY, G28	051415	1	
	CONTROL BOX ASSEMBLY, G38	053390	1	
	CONTROL BOX ASSEMBLY, G25	050686	1	
	CONTROL BOX ASSEMBLY, G36	050684	1	
	CONTROL BOX ASSEMBLY, D33	050685	1	
	CONTROL BOX ASSEMBLY, D34/D36 (2005)	052232 ¹	1	
	CONTROL BOX ASSEMBLY, D35	053237	1	
	CONTROL BOX ASSEMBLY, D34	052102 ¹	1	
1	Box Weldment, Sawmill Control	016135	1	◆
2	Plug, AS075 Oiltite Painted	024250	1	
3	Gasket, Control Box Side Access	015274	2	
4	Panel Weldment, Control Box Side Access	015307	2	
5	Screw, #10-24 x 1/2" Pan Head	F05015-17	24	
6	Panel Assembly, Power Feed Control	024458	1	
	Control Module, Power Feed SMT	024396-1	1	
	Mosfet Module, Power Feed SMT	024387	1	
	Suppressor Assembly, Power Feed	052294 ²	1	
	Capacitor Assembly, Power Feed Filter	051571	1	
	Diode Assembly, Power Feed Replacement	052363	1	
7	Gasket, Rear Access Panel	015278	1	
8	Front Control Panel & Wiring Harnesses (Section 5.5)			
9	Drum Switches (Section 5.2)			
10	Circuit Breakers (Section 5.3)			
11	Screw, #10-24 x 3/8" Phillips Pan Head	F05004-3	2	
12	Screw, #10-24 x 3/8" Phillips Pan Head Machine with Neo Washer	F05004-148	4	
13	Nut, #10-24 Self Locking	F05010-14	6	
14	Bolt, 3/8-16 x 3/4" Hex Head	F05007-27	2	
15	Washer, 3/8" SAE Flat	F05011-3	2	
16	Nut, 3/8" Lock Nut	F05010-19	2	
17	Cover, Control Box Hinged	015304	1	
18	Nut, 1/4-20 Self Locking	F05010-9	2	
19	Bolt, 1/4-20 x 1 1/2" Hex Head	F05005-5	1	
20	Gasket, Front Access Panel	015266	1	
21	Panel, Control Box Front Access	015376	1	
22	MOUNT WELDMENT, STANDARD CONTROL BOX	015236	1	
23	NUT, 5/16-18 SELF-LOCKING HEX	F05010-20	4	
24	BOLT, 3/8-16 X 1" SOCKET HEAD	F05007-52	4	
25	WASHER, 3/8" SPLIT LOCK	F05011-4	4	
26	WASHER, 3/8" EXTERIOR STAR LOCK	F05011-36	4	
27	DECAL, FRONT OUTRIGGER WARNING	015400	1	
28	DECAL, EAR/EYE PROTECTION WARNING	S11753	1	
29	DECAL, 800 NUMBER	S12117	1	
30	DECAL, CIRCUIT BREAKER ID ('04 STD)	051996 ³	1	

31	PLATE, PEDESTAL COVER	036381 ⁴	1	
32	SCREW, #10-24 X 1/2" PAN HEAD	F05015-17	2	

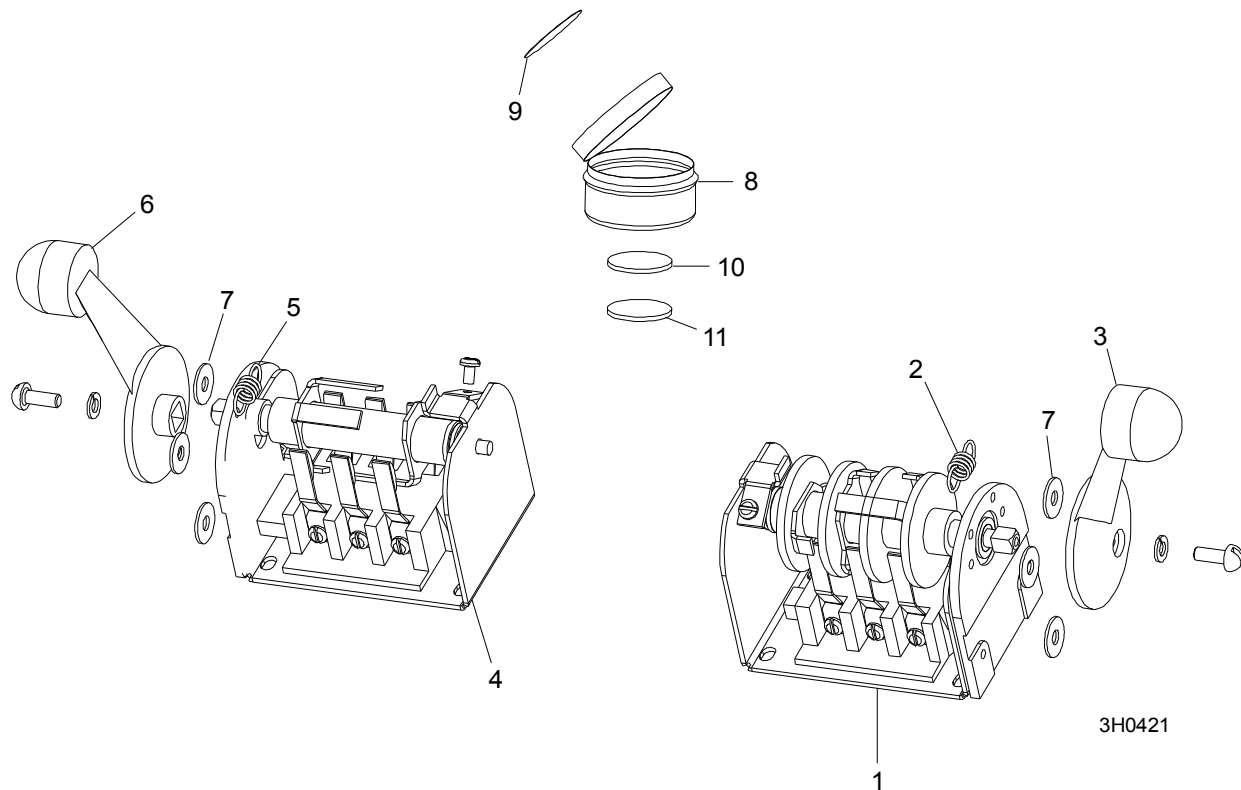
¹ 2005 Control Box 052232 includes harness for new D34 Caterpillar engine connectors supplied after LT30HD Rev. J8.04 and LT40HD Rev. J9.04. Use Control Box 052102 for previous revisions.

² Suppressor Assembly 052294 added LT30HD Rev. J8.06 and LT40HD Rev. J9.06 to protect feed circuit.

³ Circuit Breaker ID Decal 051996 with 40A Up/Down label replaces 024361 Decal with 30A Up/Down label LT30HD Rev. J8.00 and LT40HD Rev. J9.00. Decal modified with 40A Fwd/Rev label LT30HD Rev. J8.02 and LT40HD Rev. J9.02.

⁴ Cover Plate 036381 added LT30HD Rev. J8.00 and LT40HD Rev. J9.00.

5.2 Drum Switches

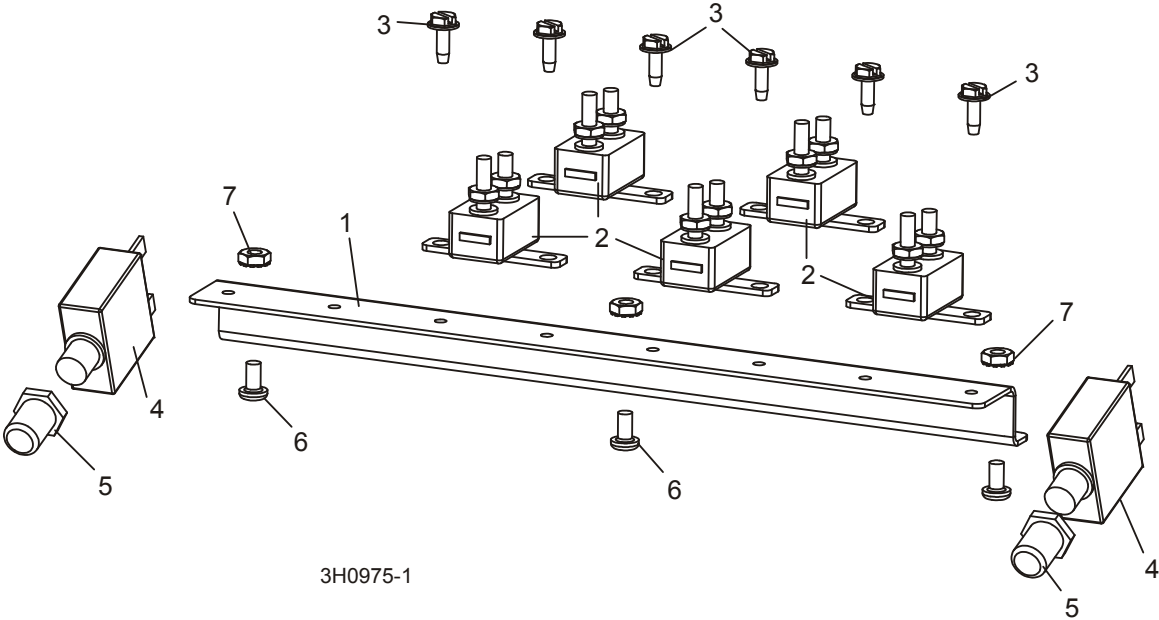


REF	DESCRIPTION (◆ Indicates Parts Available In Assemblies Only)	PART #	QTY.	
	SWITCH ASSEMBLY, UP/DOWN DRUM	E20440	1	
1	Switch, S12 Bulk Drum	E20440-B	1	◆
2	Spring, Drum Switch	P12570	1	
3	Handle, Drum Switch Replacement	P12500	1	
	SWITCH ASSEMBLY, POWER FEED DRUM	E20439	1	
4	Switch, S11 Bulk Drum	E20439-B	1	◆
5	Spring, Drum Switch	P12570	1	
6	Handle, Drum Switch Replacement	P12500	1	
7	WASHER, #8 SAE FLAT	F05011-41	6	
	CUP ASSEMBLY, DRUM SWITCH GREASE	A20463	1	
8	Cup, Plastic Container	P20464	1	◆
9	Decal, Grease Cup Label	P20467	1	
10	Pad, Velcro Loop	P20466	1	◆
11	Pad, Velcro Hook	P20465	1	◆
	Grease, High Temp Drum Switch	P20468	.025 Lb	◆

5.3 Circuit Breakers

LT30HD
LT40HD

Rev. K1.00 - K3.03
Rev. K2.00 - K5.03

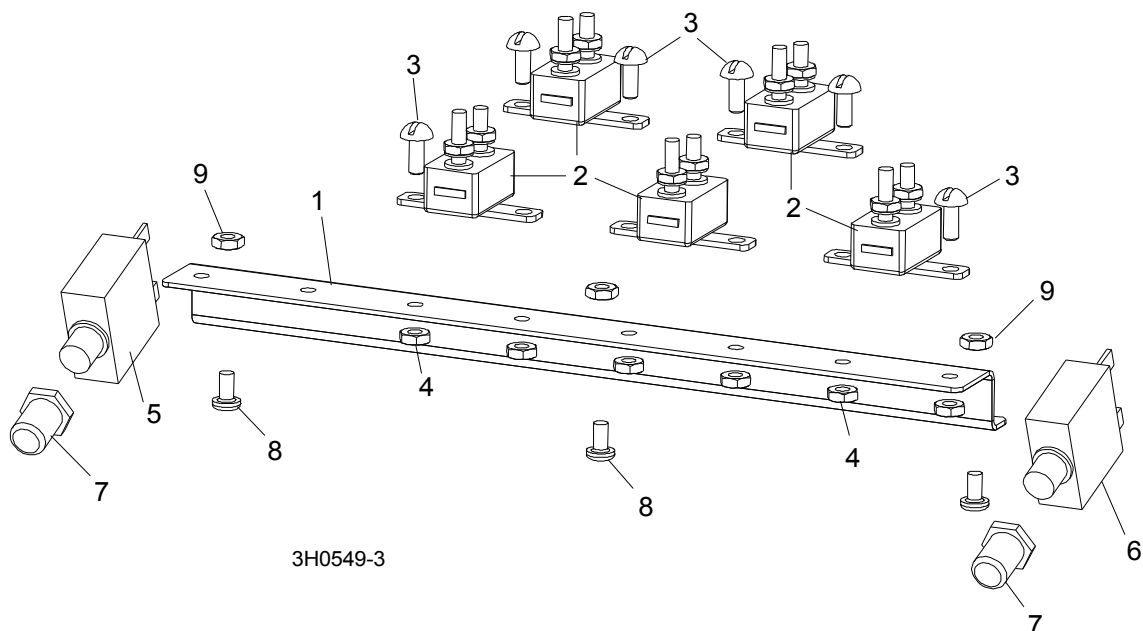


REF	DESCRIPTION (◆ Indicates Parts Available In Assemblies Only)	PART #	QTY.
	BREAKER ASSEMBLY, SAWMILL CONTROL CIRCUIT (DC)	015621	1
1	Rail, Circuit Breaker	052826	1
2	Breaker, 15 Amp Manual Reset	E20430	5
3	Screw, #10-24 x 1/2" Self-Tapping	F05015-7	6
4	BREAKER, 40 AMP MANUAL RESET PANEL MOUNT	051981	2
5	BOOT, CIRCUIT BREAKER	021253	2
6	SCREW, #10-24 X 3/8" PHILLIPS PAN HEAD	F05004-3	3
7	NUT, #10-24 SELF LOCKING	F05010-14	3
	BREAKER, 30A MANUAL RESET PANEL MOUNT (D34/D35 ONLY)	024246	1

5.4 Circuit Breakers

LT30HD
LT40HD

Rev. J7.01 - J9.02
Rev. J8.01 - K1.04



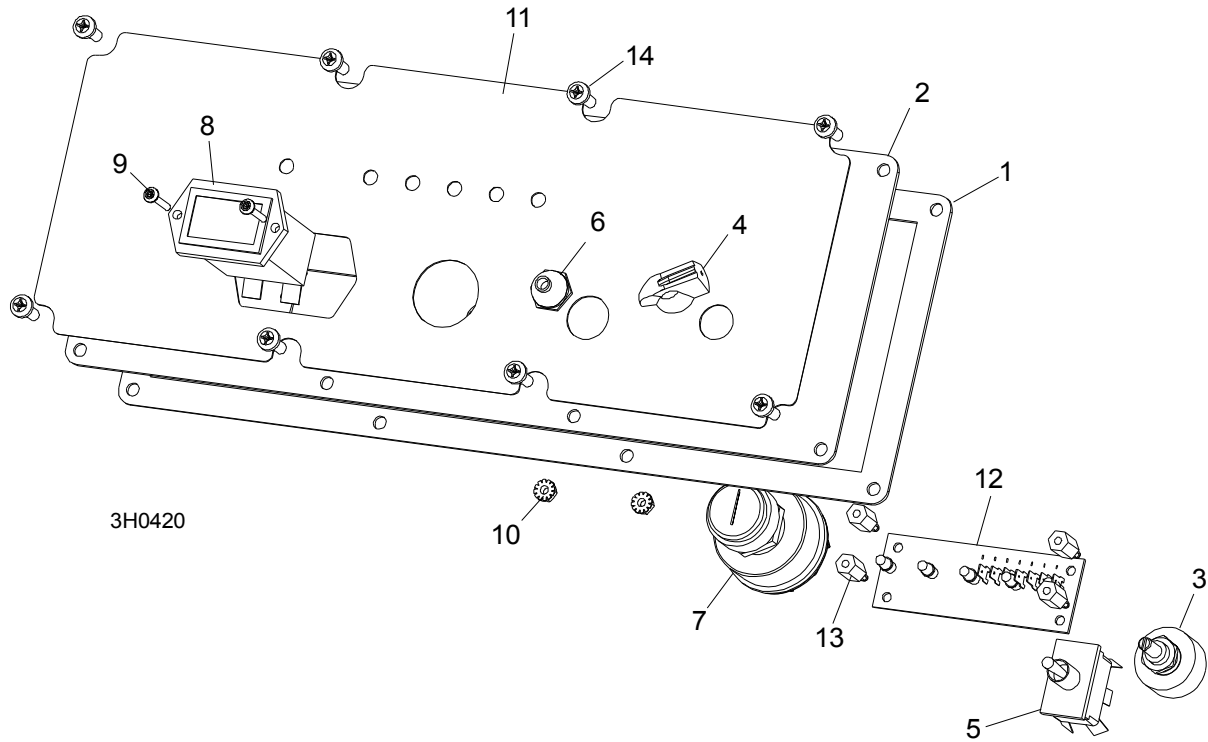
REF	DESCRIPTION (◆ Indicates Parts Available In Assemblies Only)	PART #	QTY.
	BREAKER ASSEMBLY, SAWMILL CONTROL CIRCUIT (DC)	015621 ¹	1
1	Rail, Circuit Breaker	015310	1
2	Breaker, 15 Amp Manual Reset	E20430	5
3	Screw, #8-32 X 1/2" Slotted Head	F05004-12	6
4	Nut, #8-32 Hex Self-Locking	F05010-41	6
5	BREAKER, 40 AMP MANUAL RESET PANEL MOUNT	051981 ²	1
6	BREAKER, 40 AMP MANUAL RESET PANEL MOUNT	051981 ³	1
7	BOOT, CIRCUIT BREAKER	021253	2
8	SCREW, #10-24 X 3/8" PHILLIPS PAN HEAD	F05004-3	3
9	NUT, #10-24 SELF LOCKING	F05010-14	3
	BREAKER, 30A MANUAL RESET PANEL MOUNT (D34 ONLY)	024246	1

¹ Circuit Breaker Assembly modified 12/06. New rail 052826 used to accept self-tapping screws ([See Section 5.4](#)).

² 40A Breaker 051981 replaces 30A Breaker 024246 for Fwd/Rev Circuit to reduce nuisance tripping (LT30HD Rev. J8.02 and LT40HD Rev. J9.02).

³ 40A Breaker 051981 replaces 30A Breaker 024246 for Up/Down Circuit to reduce nuisance tripping (LT30HD Rev. J8.00 and LT40HD Rev. J9.00).

5.5 Front Panel Assembly & Harnesses



REF	DESCRIPTION (◆ Indicates Parts Available In Assemblies Only)	PART #	QTY.	
	PANEL ASSEMBLY, CONTROL FRONT (G25/G28)	024210	1	◆
	PANEL ASSEMBLY, CONTROL FRONT (D33/D34/D35/D36/G36/G38)	024211	1	◆
1	Gasket, Front Panel	015270	1	
2	Panel Weldment, Control	015302	1	
3	Switch Assembly, Feed Rate	024450-1	1	
4	Knob, Feed Rate With Set Screw	P06257	1	
5	Switch, Toggle	024200	1	
6	Boot, Toggle Switch Rubber	P02575	1	
7	Switch, Key	P04350	1	
8	Meter, Hour	015401	1	
9	Screw, 6-42 x 3/4" Socket Button Head Cap Stainless Steel	F05004-93	2	
10	Nut, 6-23 Self Locking	F05010-59	2	
11	Decal, Control Panel (G25/G28)	015271	1	
	Decal, Control Panel (D33/D34/D35/D36/G36/G38)	015269	1	
12	Board, LED Circuit (G25/G28)	015416	1	
	Board, LED Circuit (D33/D34/D35/D36/G36/G38)	015409	1	
13	Spacer, 1/2"-#6 Threaded	023147	4	
14	SCREW, #10-24 X 1/2" PAN HEAD	F05015-17	8	

5

Control & Battery Boxes Front Panel Assembly & Harnesses

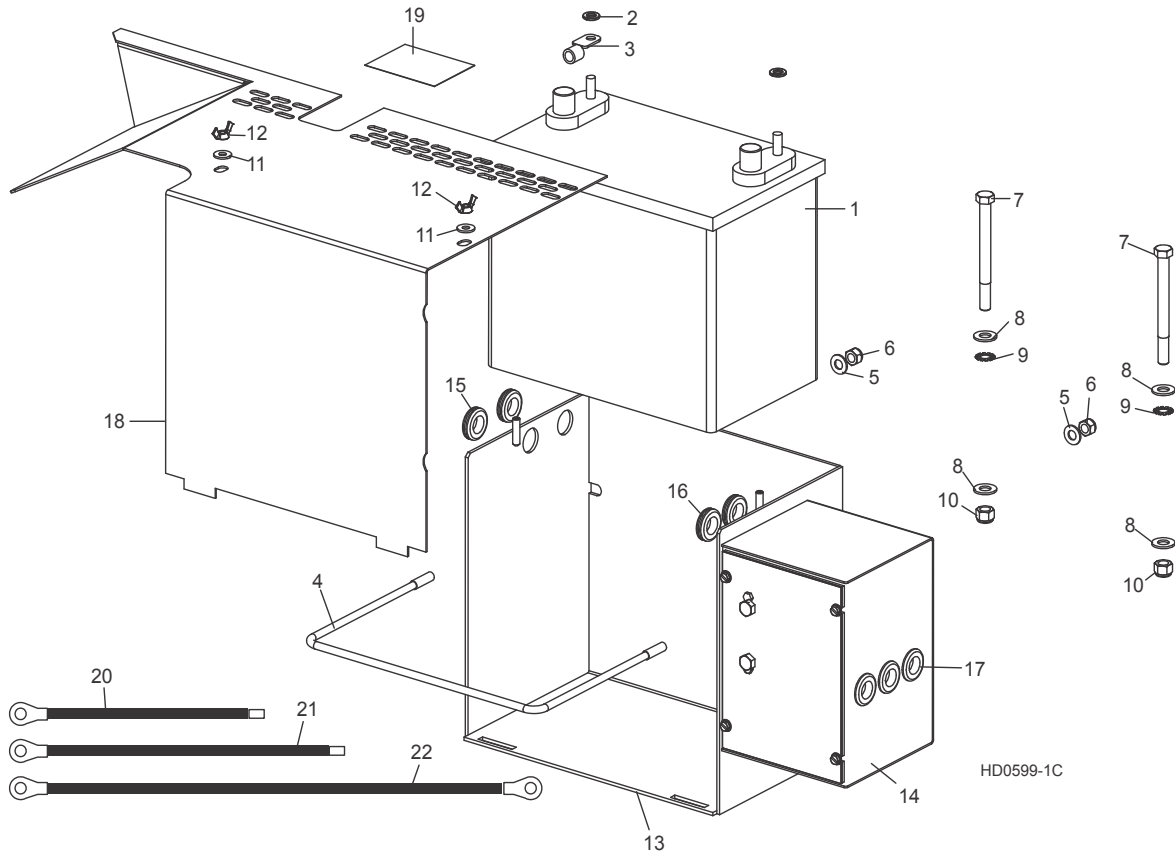
	HARNESS ASSEMBLY, UPPER WIRING (G28)	051414	1	
	HARNESS ASSEMBLY, UPPER WIRING (G38)	053389	1	
	HARNESS ASSEMBLY, UPPER WIRING (G36)	024886	1	
	HARNESS ASSEMBLY, UPPER WIRING (G25)	024307	1	
	HARNESS ASSEMBLY, UPPER WIRING (D33)	024602	1	
	HARNESS ASSEMBLY, UPPER WIRING (D34/D36 2005)	052231 ¹	1	
	HARNESS ASSEMBLY, UPPER WIRING (D35)	053236	1	
	HARNESS ASSEMBLY, UPPER WIRING (D34)	052101 ¹	1	
	Conduit, 1 1/4" x 58" Flex	050399	1	
	Connector, 1 1/4" Straight Male Metal Conduit	024402	1	
	HARNESS ASSEMBLY, LOWER WIRING (G25/G28)	050679	1	
	HARNESS ASSEMBLY, LOWER WIRING (D33/D34/D35/D36/G36/G38)	050678	1	
	Conduit, 1/2" Expandable Black	R02374	41 in.	
	Conduit, 1/2" Expandable Black	R02374	42 in.	

¹ 2005 Harness 052231 harness for new Caterpillar engine connectors supplied after LT30HD Rev. J8.04 and LT40HD Rev. J9.04. Use Harness 052101 for previous revisions.

5.6 Battery Box Assembly

LT30HD
LT40HD

Rev. K3.00 - K3.03
Rev. K5.00 - K5.03



REF	DESCRIPTION (◆ Indicates Parts Available In Assemblies Only)	PART NUMBER	QTY.	
1	BATTERY, 12 VOLT 8800MF	P12315 ¹	1	◆
	BOX ASSEMBLY, LT30HD/LT40HD BATTERY	015471 ²	1	
2	Washer, 5/16" Split Lock	F05011-13	2	
3	Terminal, 5/16 1-2 Ga Ring NI Loose	F05092-16	1	
4	Retainer Loop, Battery	P09790	1	
5	Washer, 5/16" SAE Flat	F05011-17	2	
6	Nut, 5/16-18 Hex Nylon Lock	F05010-58	2	
7	Bolt, 3/8-16 X 4" Hex Head Grade 2	F05007-4	2	
8	Washer, 3/8" SAE Flat	F05011-3	2	
9	Washer, 3/8" External Star	F05011-36	2	
10	Nut, 3/8" Hex Nylon Lock	F05010-10	2	
11	Washer, 1/4" SAE Flat	F05011-11	2	

5 Control & Battery Boxes

Battery Box Assembly

12	Nut, 1/4-20 Wing	F05010-13	2	
13	Box Weldment, Battery	015472	1	
14	Fuse Box Parts (See Section 5.6)			
	Hydraulic Positive Contact Parts (See Section 10.4)			
15	Grommet, 5/8" Rubber Wire	P11764	2	
16	Grommet, 3/4" ID 11 Gauge Thickness	074198	1	
17	Grommet, 3/4" ID 16 Gauge Thickness	074199	2	
18	LID WELDMENT, BATTERY BOX STANDARD	015774	1	
19	DECAL, BATTERY BOX LID CAUTION	014774	1	
20	CABLE ASSEMBLY, 1 GA X 12" FUSE TO BATTERY POSITIVE	036308	1	
21	CABLE ASSEMBLY, 1 GA X 16" FUSE TO BATTERY POSITIVE	036309	1	
22	CABLE ASSEMBLY, 1 GA X 26" BATTERY NEGATIVE TO NEG. CONTACT	036306	1	

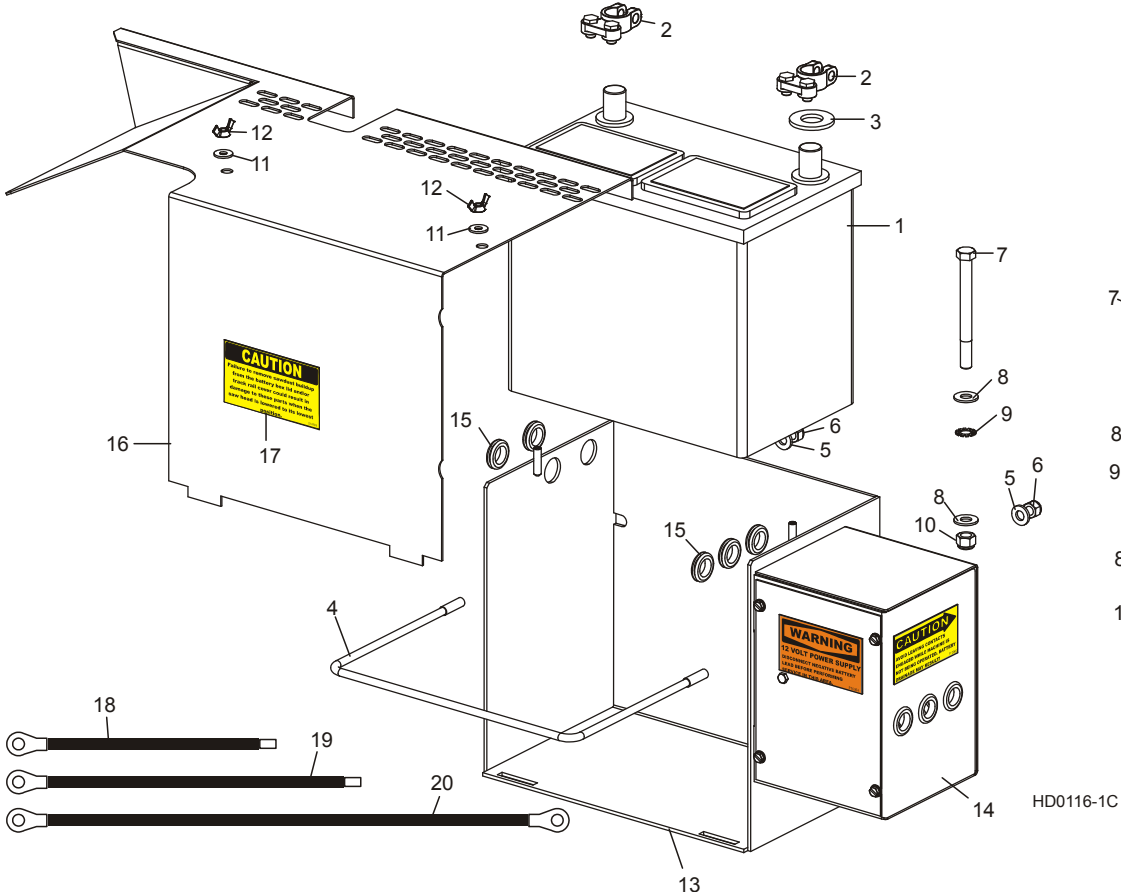
¹ Battery changed to be equipped with two threaded studs (5/11).

² Battery terminals (P05085), washer (P12161), 1/4" exterior star washer (F05011-37) and 1/4-20 hex self-locking nut (F05010-9) replaced with ring terminals and fasteners for batteries with threaded studs (5/11).

5.7 Battery Box Assembly

LT30HD
 LT40HD

Rev. J7.01 - K2.01
 Rev. J8.01 - K4.01



REF	DESCRIPTION (◆ Indicates Parts Available In Assemblies Only)	PART NUMBER	QTY.	
1	BATTERY, 12 VOLT 8800MF	P12315	1	◆
	BOX ASSEMBLY, LT30HD/LT40HD BATTERY	015471 ¹	1	
2	Terminal, Battery	P05085	2	
3	Washer, Battery Terminal	P12161	1	
4	Retainer Loop, Battery	P09790	1	
5	Washer, 5/16" SAE Flat	F05011-17	2	
6	Nut, 5/16-18 Hex Nylon Lock	F05010-58	2	
7	Bolt, 3/8-16 X 4" Hex Head Grade 2	F05007-4	2	
8	Washer, 3/8" SAE Flat	F05011-3	2	
9	Washer, 3/8" External Star	F05011-36	2	
10	Nut, 3/8" Hex Nylon Lock	F05010-10	2	
11	Washer, 1/4" SAE Flat	F05011-11	2	
12	Nut, 1/4-20 Wing	F05010-13	2	

5 Control & Battery Boxes

Battery Box Assembly

13	Box Weldment, Battery	015472	1	
14	Fuse Box Parts (See Section 5.8)			
	Hydraulic Positive Contact Parts (See Section 10.3)			
15	Grommet, 5/8" Rubber Wire	P11764	5	
16	LID WELDMENT, BATTERY BOX STANDARD	015774	1	
17	DECAL, BATTERY BOX LID CAUTION	014774	1	
18	CABLE ASSEMBLY, 1 GA X 12" 150A FUSE TO BATTERY POSITIVE	036308	1	
19	CABLE ASSEMBLY, 1 GA X 16" 225A FUSE TO BATTERY POSITIVE	036309	1	
20	CABLE ASSEMBLY, 1 GA X 26" BATTERY NEGATIVE TO NEG. CONTACT	036306 ²	1	

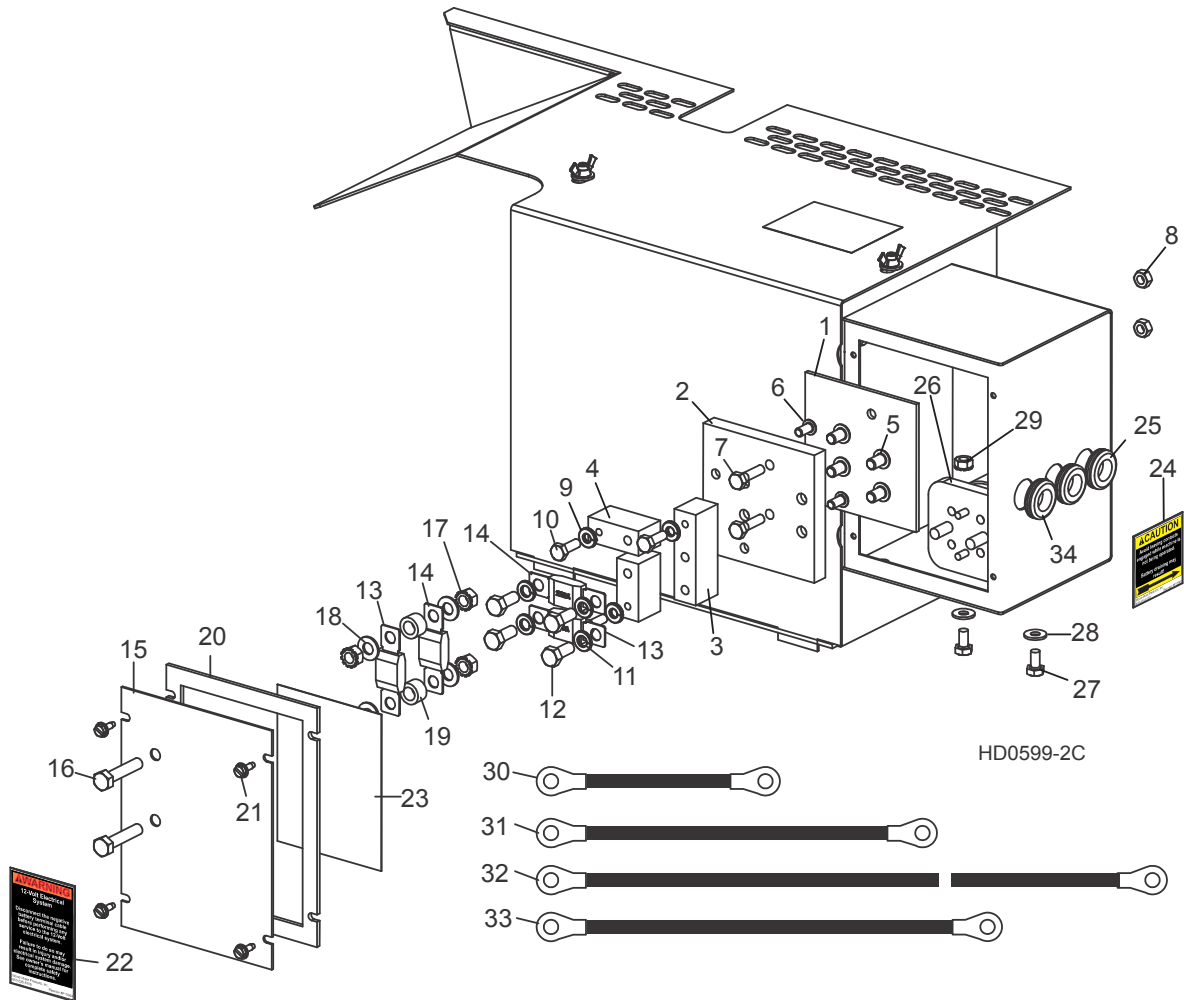
¹ Battery Box Assembly 015471 modified to include new fuse block and mega fuse LT30HD Rev. K3.00 and LT40HD Rev. K5.00 ([See Section 5.8](#)).

² Replaces 024676 originally supplied (duplicate parts).

5.8 Fuse Box Assembly

LT30HD
LT40HD

Rev. K3.00 - K3.03
Rev. K5.00 - K5.03



REF	DESCRIPTION (◆ Indicates Parts Available In Assemblies Only)	PART #	QTY.	
	BLOCK ASSEMBLY, DOUBLE FUSE	006795	1	
1	Plate, Fuse Block Insulator	056999	1	
2	Block, Fuse Mount	056997	1	◆
3	Block, 3/4" Upper Fuse	056996	1	
4	Block, 3/4" Lower Fuse	056998	2	
5	Screw, 5/16-18 x 1/2" Socket Button Head	F05006-20	4	
6	Screw, 1/4-20 x 1/2" Socket Button Head	F05005-59	2	
7	Bolt, 1/4-20 x 1" Hex Head Grade 5	F05005-101	2	

5

Control & Battery Boxes

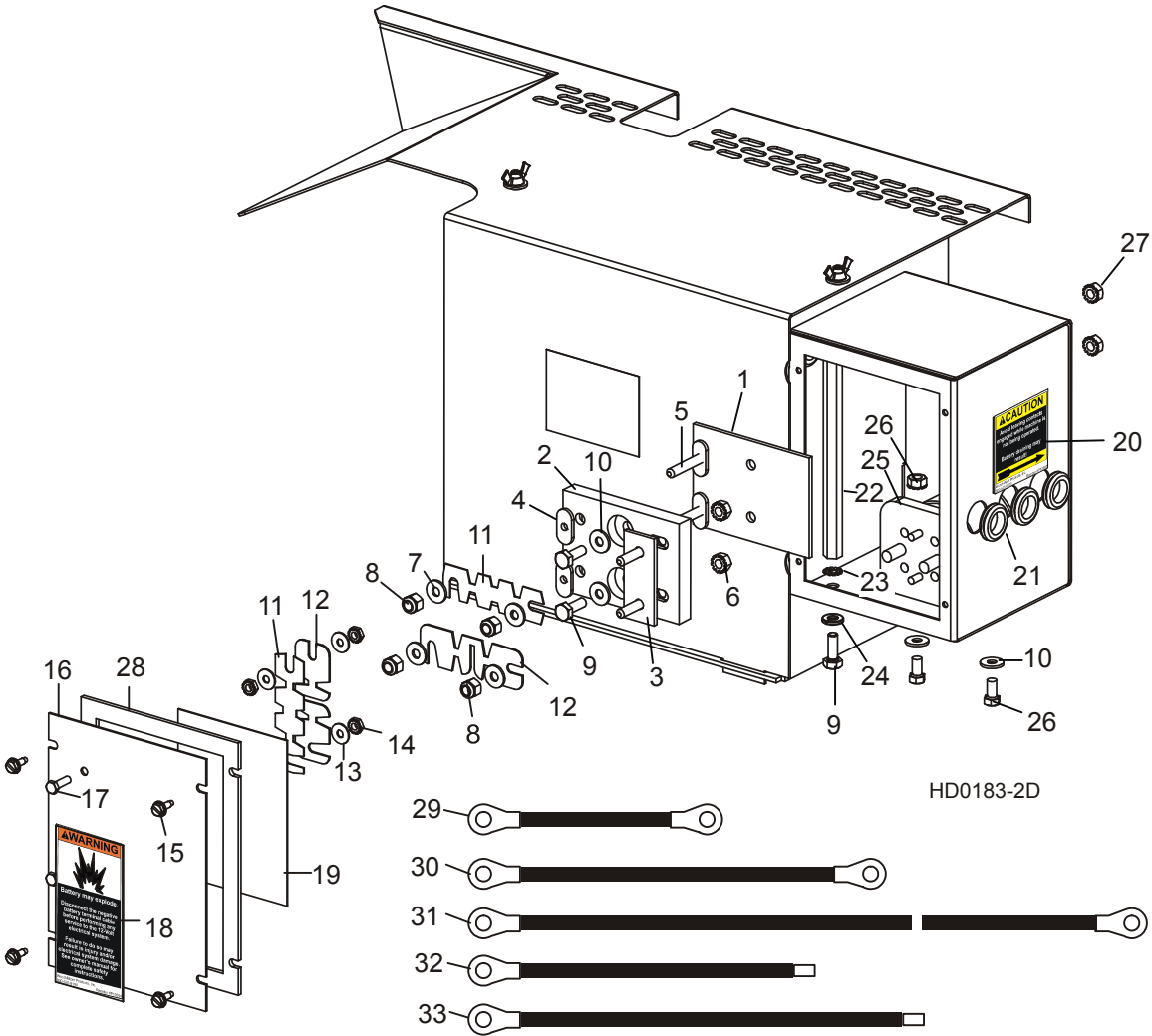
Fuse Box Assembly

8	Nut, 1/4-20 Hex Lock	F05010-21	2	
9	Washer, 1/4" Split Lock	F05011-14	3	
10	Bolt, 1/4-20 x 3/4" Hex Head Grade 5	F05005-123	3	
11	Washer, 5/16" Split Lock	F05011-13	4	
12	Bolt, 5/16-18 x 3/4" Hex Head Grade 5	F05006-102	4	
13	FUSE, 150A MEGA	052370-150	2	
14	FUSE, 225A 32V MEGA	053339	2	
	COVER ASSEMBLY, DOUBLE FUSE BOX	006853	1	
15	Cover, Fuse Box	006851	1	
16	Bolt, 5/16-18 x 1 1/2" Hex Head Full Thread	F05006-2	2	
17	Nut, 5/16-18 Hex Self-Locking	F05010-20	4	
18	Washer, 5/16" SAE Flat	F05011-17	4	
19	Spacer, .39" x .625" x .39"	055323	2	
20	Gasket, Fuse Box Cover	050283	1	
21	SCREW, #10-24 X 1/2" SELF-TAPPING	F05015-7	4	
22	DECAL, 12 VOLT WARNING	P10364	1	
23	DECAL, 150/225A MEGA FUSE ID	006867	1	
24	DECAL, HYDRAULIC CONTACT CAUTION	P12960	1	
25	GROMMET, 5/8" RUBBER WIRE	P11764	3	
26	SOLENOID KIT, 200A 12V SPST CONT. DUTY	016371	1	
	Solenoid, 200A 12V SPST Cont. Duty	015470	1	◆
	Diode Assembly, Solenoid Coil Chassis Gnd	015426	1	
	WIRE ASSEMBLY, HYDRAULIC SOLENOID VOLTAGE DROP	024451	1	
27	BOLT, 1/4-20 X 1/2" HEX HEAD	F05005-15	2	
28	WASHER, 1/4" SAE FLAT	F05011-11	2	
29	NUT, 1/4-20 SELF-LOCKING HEX	F05010-9	2	
30	CABLE ASSEMBLY, 1 GA X 6 1/2" FUSE TO SOLENOID	036305	1	
31	CABLE ASSEMBLY, 1 GA X 14" SOLENOID TO POSITIVE CONTACT	036307	1	
32	CABLE ASSEMBLY, 1 GA X 26" BATT. NEGATIVE TO GROUND CONTACT	036306	1	
33	CABLE ASSEMBLY, 1 GA X 12" FUSE TO BATTERY POSITIVE	036308	1	
34	CABLE ASSEMBLY, 1 GA X 16" FUSE TO BATTERY POSITIVE	036309	1	

5.9 Fuse Box Assembly

LT30HD
LT40HD

Rev. J7.01 - K2.01
Rev. J8.01 - K4.01



REF	DESCRIPTION (◆ Indicates Parts Available In Assemblies Only)	PART #	QTY.	
1	PAD, FUSE BOX INSULATOR	015287	1	
	FUSE BLOCK ASSEMBLY	017665 ¹	1	
2	Block, Fuse Mount	017664	1	◆
3	Post Weldment, Fuse Mount	017663	1	
4	Nut, 1/4-20 Cadmium Plated Weld	S12392	2	
5	Stud Weldment, 1/4-20 Fuse	W12389	2	
6	Nut, 1/4-20 Self-Locking Hex	F05010-9	2	
7	Washer, 1/4" SAE Flat	F05011-11	4	

5

Control & Battery Boxes

Fuse Box Assembly

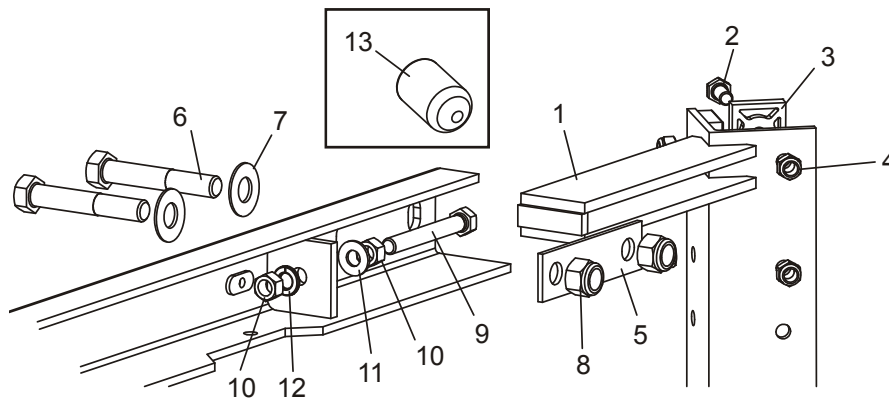
8	Nut, 1/4-20 Hex Lock	F05010-21 ²	4	
9	BOLT, 1/4-20 X 3/4" HEX HEAD FULL THREAD	F05005-1	3	
10	WASHER, 1/4" SAE FLAT	F05011-11	4	
11	FUSE LINK, 12 VOLT 150 AMP	023361	2	
12	FUSE LINK, 12 VOLT 225 AMP	P11550	2	
13	WASHER, #10 SAE FLAT	F05011-18	4	
14	NUT, #10-24 HEX SELF-LOCKING	F05010-14	4	
15	SCREW, #10-24 X 1/2" SELF-TAPPING	F05015-7	4	
16	COVER, FUSE BOX	015282	1	
17	SCREW, #10-24 X 5/8" HEX HEAD	F05004-18	2	
18	DECAL, 12 VOLT WARNING	P10364	1	
19	DECAL, FUSE LINK 225/225A I.D.	017681	1	
20	DECAL, HYDRAULIC CONTACT CAUTION	P12960	1	
21	GROMMET, 5/8" RUBBER WIRE	P11764	3	
22	TERMINAL, EXTENDED HEX STUD	015517	1	
23	WASHER, 1/4" EXTERIOR STAR	F05011-37	1	
24	WASHER, 1/4" SPLIT LOCK	F05011-14	1	
25	SOLENOID KIT, 200A 12V SPST CONT. DUTY	016371	1	
	Solenoid, 200A 12V SPST Cont. Duty	015470	1	◆
	Diode Assembly, Solenoid Coil Chassis Gnd	015426	1	
	WIRE ASSEMBLY, HYDRAULIC SOLENOID VOLTAGE DROP	024451	1	
26	BOLT, 1/4-20 X 1/2" HEX HEAD	F05005-15	2	
27	NUT, 1/4-20 SELF-LOCKING HEX	F05010-9	4	
28	GASKET, FUSE BOX COVER	050283	1	
29	CABLE ASSEMBLY, 1 GA X 6 1/2" FUSE TO SOLENOID	036305	1	
30	CABLE ASSEMBLY, 1 GA X 14" SOLENOID TO POSITIVE CONTACT	036307	1	
31	CABLE ASSEMBLY, 1 GA X 26" BATT. NEGATIVE TO GROUND CONTACT	036306	1	
32	CABLE ASSEMBLY, 1 GA X 12" 150A FUSE TO BATTERY POSITIVE	036308	1	
33	CABLE ASSEMBLY, 1 GA X 16" 225A FUSE TO BATTERY POSITIVE	036309	1	

¹ Battery Box Assembly modified to include new fuse block and mega fuse LT30HD Rev. K3.00 and LT40HD Rev. K5.00 ([See Section 5.8](#)). Use kit 006906 to retrofit (requires two 150A Mega-Fuse 052370-150 and two 225A Mega-Fuse 053339 sold separately).

² Swaged lock nut F05010-21 replaces Nylon Lock Nut F05010-69 originally supplied prior to 7/08. Heat from the fuses can cause the nylon to melt and the nut to come loose. Nuts and washers added to fuse block kit 017665 11/08.

SECTION 6 UP/DOWN SYSTEM

6.1 Saw Head Mount



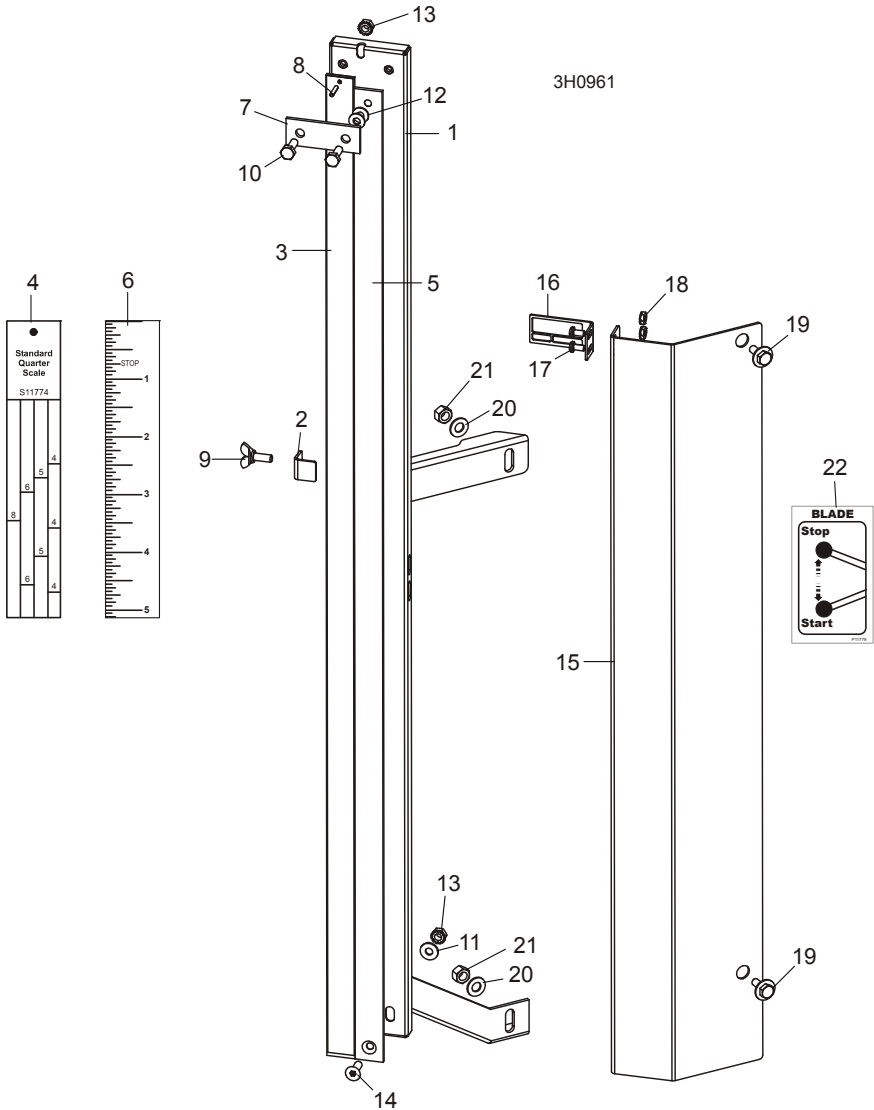
SM0080D

REF	DESCRIPTION (◆ Indicates Parts Available In Assemblies Only)	PART #	QTY.
1	V-BRACE, SAW HEAD MOUNT	W04099	1
2	BOLT, 5/16-18 X 3/4" HEX HEAD GRADE 5	F05006-5	12
	BOLT, 5/16-18 X 1 1/4 HEX HEAD FULL THREAD GRADE 5	F05006-93	4
3	PAD, PLASTIC SLIDE	M04096	6
	PAD, PLASTIC SLIDE LOWER W/CHAMFER	016241	2
4	NUT, 5/16-18 NYLON LOCK	F05010-58	16
5	PLATE, V-BRACE WASHER	S07935	2
6	BOLT, 1/2-13 X 3 1/2" HEX HEAD GRADE 5	F05008-61	4
7	WASHER, 1/2" SAE FLAT	F05011-2	4
8	NUT, 1/2-13 NYLON LOCK	F05010-8	4
9	BOLT, 3/8-16 X 2" FULL THREAD	F05007-17	2
10	NUT, 3/8-16 HEX	F05010-1	4
11	WASHER, 3/8" SAE FLAT	F05011-3	2
12	WASHER, 3/8" SPLIT LOCK	F05011-4	2
13	CAP, .281" X 1/2" BLACK VINYL	017715	3

6.2 Blade Height & Quarter Scales

LT30HD
LT40HD

Rev. J9.01 - K3.03
Rev. K1.01 - K5.03



REF	DESCRIPTION (◆ Indicates Parts Available In Assemblies Only)	PART #	QTY.	
	SCALE RETROFIT, FIXED WITH POINTER	A12030	1	
	Scale Kit, Fixed With Pointer	K11998	1	◆
	Scale Assembly, Fixed	A12022	1	◆
1	Bracket, Scale Mounting	W11996	1	
2	Plate, Movable Scale Stop	036666	1	
3	Scale, 35" Quarter	S11989	1	
4	Decal, 35" Standard Quarter Scale	S11774	1	
	Decal, 35" Grade Hardwood Quarter Scale	P12819	1	

Saw Head Mount & Scales

Blade Height & Quarter Scales

6

5	Scale, 35" Inch	S11988	1	
6	Decal, 35" Inch	S11773	1	
7	Strap, Scale Hold-Down	S04805	1	
8	Pin, 1/8" X 5/8" Roll	F05012-14	1	
9	Screw, 1/4-20 X 5/8" Wing	F05005-64	1	
10	Bolt, 1/4-20 x 1/2" Hex Head	F05005-1	2	
11	Washer, 1/4" SAE Flat	F05011-11	1	
12	Washer, 1/4" X .020 Thick Nylon Flat	F05011-22	2	
13	Nut, 1/4-20 Hex Self-Locking	F05010-9	2	
14	Screw, 1/4-20 X 3/4" Flat Socket Head	F05005-70	1	
	Pointer Assembly, Fixed Scale	038591	1	
15	Bracket, Fixed Scale Pointer Mount	038586	1	
16	Pointer, Fixed Scale	038585	1	
17	Screw, #10-24 X 3/8" Phillips Head	F05004-3	2	
18	Nut, #10-24 Hex Self-Locking	F05010-14	2	
19	Bolt, 1/4-20 x 3/4" with Conical Washer	F05005-134	2	
20	Washer, 5/16" SAE Flat	F05011-17	2	
21	Nut, 5/16-18 Hex Lock	F05010-6	2	
	Bolt, 1/4-20 X 1/2" Hex Head Grade 2	F05005-15	1	
	Instruction Sheet, Fixed Scale Retrofit	A12030-370	1	
	DECAL KIT, METRIC SCALE	K12064	1	
	Decal, Metric	S11711	1	
	Decal, Metric 16-40mm	P12040-1	1	
	Decal, Metric 45-63mm	P12040-2	1	
22	DECAL, CLUTCH HANDLE OPERATION	P11779	1	

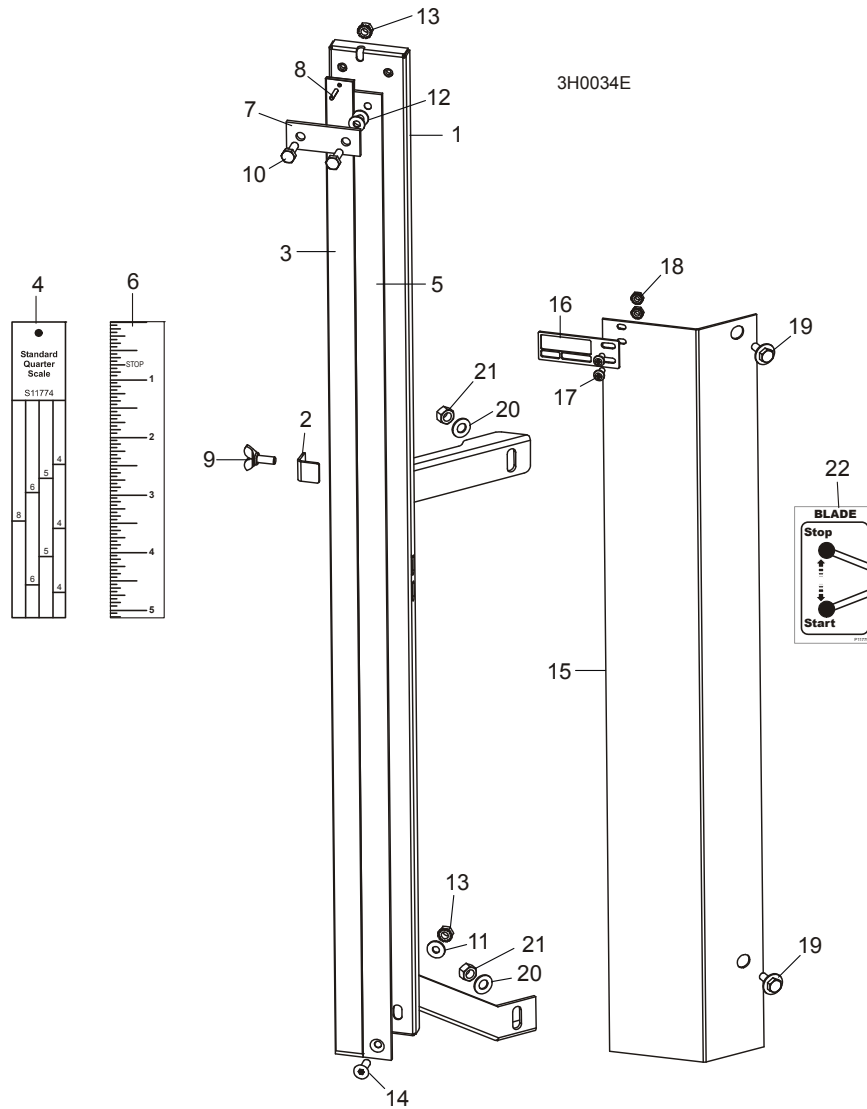
6 Saw Head Mount & Scales

Blade Height & Quarter Scales

6.3 Blade Height & Quarter Scales

LT30HD
LT40HD

Rev. J7.01 - J9.00
Rev. J8.01 - K1.00



REF	DESCRIPTION (◆ Indicates Parts Available In Assemblies Only)	PART #	QTY.	
	SCALE RETROFIT, FIXED WITH POINTER	A12030	1	
	Scale Kit, Fixed With Pointer	K11998	1	◆
	Scale Assembly, Fixed	A12022	1	◆
1	Bracket, Scale Mounting	W11996 ¹	1	
2	Plate, Movable Scale Stop	036666 ¹	1	
3	Scale, 35" Quarter	S11989	1	

Saw Head Mount & Scales

Blade Height & Quarter Scales

6

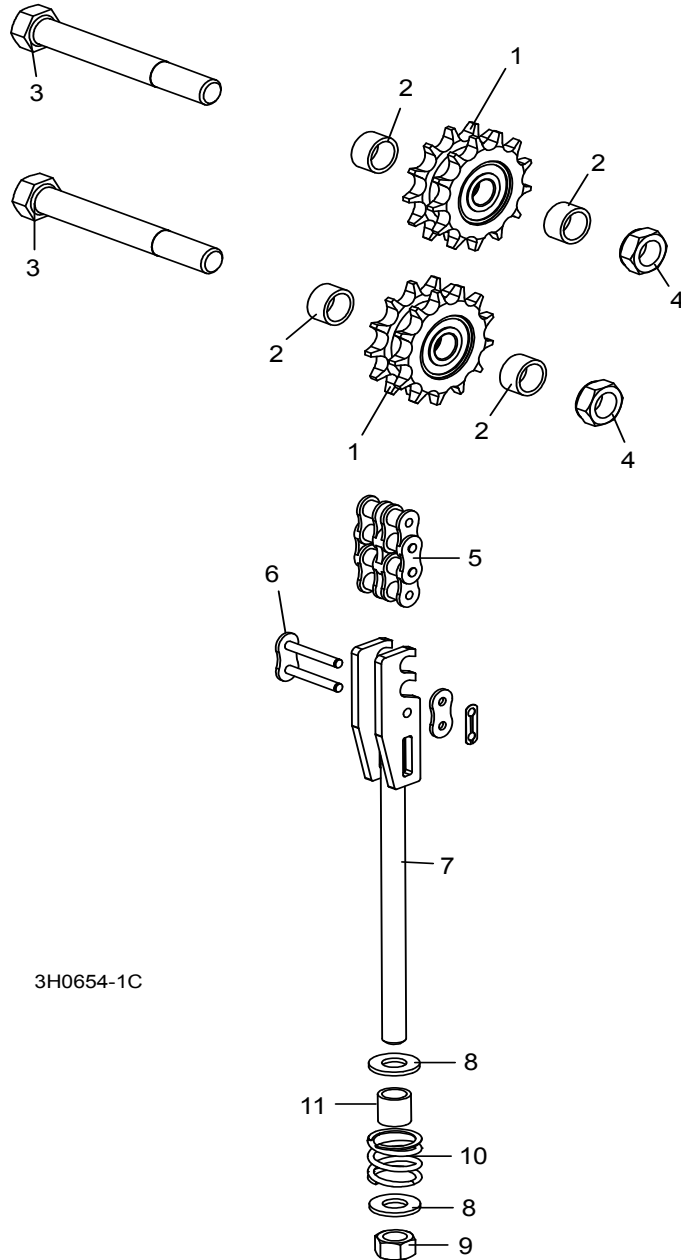
4	Decal, 35" Standard Quarter Scale	S11774	1	
	Decal, 35" Grade Hardwood Quarter Scale	P12819	1	
5	Scale, 35" Inch	S11988	1	
6	Decal, 35" Inch	S11773	1	
7	Strap, Scale Hold-Down	S04805	1	
8	Pin, 1/8" X 5/8" Roll	F05012-14	1	
9	Screw, 1/4-20 X 5/8" Wing	F05005-64	1	
10	Bolt, 1/4-20 x 1/2" Hex Head	F05005-1	2	
11	Washer, 1/4" SAE Flat	F05011-11	1	
12	Washer, 1/4" X .020 Thick Nylon Flat	F05011-22	2	
13	Nut, 1/4-20 Hex Self-Locking	F05010-9	2	
14	Screw, 1/4-20 X 3/4" Flat Socket Head	F05005-70	1	
	Pointer Assembly, Fixed Scale	A12023 ²	1	
15	Bracket, Fixed Scale Pointer Mount	S12245	1	◆
16	Pointer, Fixed Scale (Non-Accuset Only ³)	017778	1	
17	Screw, #10-24 X 3/8" Phillips Head	F05004-3	2	
18	Nut, #10-24 Hex Self-Locking	F05010-14	2	
19	Bolt, 1/4-20 x 3/4" with Conical Washer	F05005-134	2	
20	Washer, 5/16" SAE Flat	F05011-17	2	
21	Nut, 5/16-18 Hex Lock	F05010-6	2	
	Bolt, 1/4-20 X 1/2" Hex Head Grade 2	F05005-15	1	
	Instruction Sheet, Fixed Scale Retrofit	A12030-370	1	
	DECAL KIT, METRIC SCALE	K12064	1	
	Decal, Metric	S11711	1	
	Decal, Metric 16-40mm	P12040-1	1	
	Decal, Metric 45-63mm	P12040-2	1	
22	DECAL, CLUTCH HANDLE OPERATION	P11779	1	

¹ Wing screw moved to side of scale mount and bracket 036666 added to eliminate possible interference with pointer (LT30HD Rev. J8.01 and LT40HD Rev. J9.01). Use W11996 to service mount weldment (includes new bracket 036666).

² Pointer Assembly A12023 replaced with bent pointer to provide adjustment of distance between scale and pointer (LT30HD Rev. J9.01 and LT40HD Rev. K1.01). Use assembly 038591 to retrofit previous revisions ([See Section 6.2](#)).

³ Use 017805 pointer for sawmills equipped with Accuset control or use assembly 038591 to retrofit ([See Section 6.2](#)).

6.4 Up/Down Chain & Sprockets



REF	DESCRIPTION (◆ Indicates Parts Available In Assemblies Only)	PART #	QTY.
	SPROCKET KIT, UP/DOWN IDLER #50-2	016020	1
1	Sprocket, Up/Down Idler '98	016019	2
2	Spacer, 50-2 Idler '98	016018	4
	Instruction Sheet, Up/Down Idler Retrofit	016020-541	1
3	BOLT, 5/8-11 X 5" HEX HEAD GRADE 2	F05009-6	2

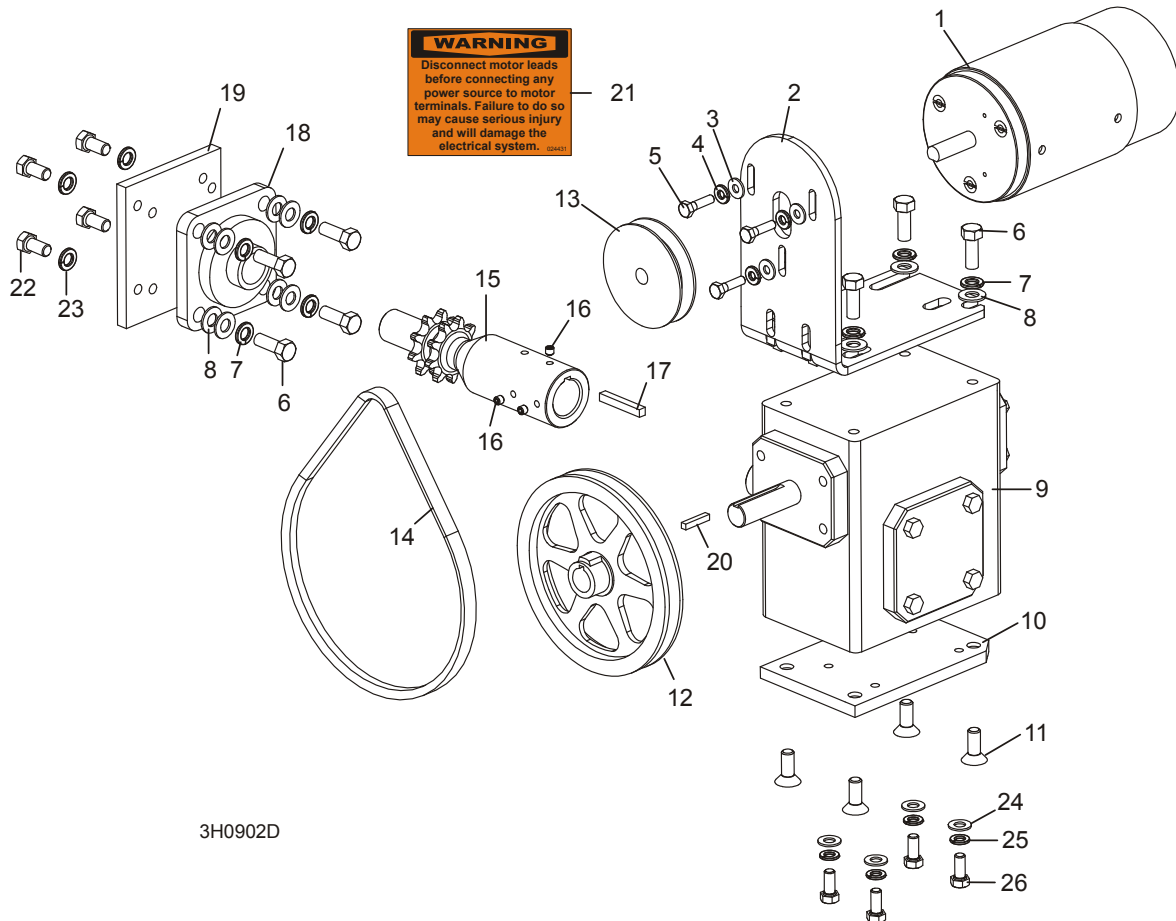
4	NUT, 5/8-11 JAM NYLON LOCK	F05010-96	2	
5	CHAIN, #50-2 X 75.625" UP/DOWN	015259	1	
6	LINK, #50-2 MASTER	015258	2	
	TENSIONER ASSEMBLY, UP/DOWN CHAIN	015456	1	
7	Bracket, Up/Down #50 Chain Tensioner	015188	1	◆
8	Washer, 1/2" SAE Flat	F05011-2	2	
9	Nut, 1/2-13 Hex Lock	F05010-3 ¹	1	
10	Spring, 1" OD x 1" Long x .125" Wire Compression	016516	1	
11	Spacer, Up/Dn Chain Tensioner	016515	1	

¹ Swaged lock nut F05010-3 has always been used in production instead of Nylon Lock Nut F05010-8 (9/09).

6.5 Up/Down Assembly

LT30HD
LT40HD

Rev. J9.00 - K3.03
Rev. K1.00 - K5.03



REF	DESCRIPTION (◆ Indicates Parts Available In Assemblies Only)	PART #	QTY.	
	UP/DOWN DRIVE ASSEMBLY	036208	1	
1	Motor, Power Feed	006747 ¹	1	
	Brush Kit, 12V Motor (2008)	061794 ¹	1	
	Brush Kit, 12V Motor (2007)	006619 ¹	1	
	Brush Kit, Power Feed Motor	A09086 ¹	1	
	Brush Holder, Motor	034000 ¹	1	◆
2	Bracket, Up/Down Motor Mount	014073	1	
3	Washer, 1/4" SAE Flat	F05011-11	3	
4	Washer, 1/4" Split Lock	F05011-14	3	
5	Bolt, 1/4-20 X 1" Hex Head Grade 5	F05005-101	3	

6	Bolt, 3/8-16 x 1" Hex Head	F05007-7	8	
7	Washer, 3/8" Split Lock	F05011-4	8	
8	Washer, 3/8" SAE Flat	F05011-3	12	
9	Reducer, Gear Box	014074	1	
10	Plate, Gear Box Spacer	014158	1	
11	Bolt, 3/8-16 x 1" Flat Socket Head	F05007-64	4	
12	Pulley, Up/Down	014088	1	
	Belt/Pulley Kit, Standard Up/Down	036213	1	
13	Pulley, AK22 x 1/2"	036204	1	
14	Belt, 4L270	014089	1	
	Shaft Kit, Up/Down Drive	016094	1	
15	Shaft, Up/Down Sprocket	016031	1	◆
16	Screw, 1/4-28 x 1/4" Socket Head Cup Point	F05005-105 ²	3	
17	Key, 1/4" Square x 1 11/16" Long	S04124	1	
18	Bearing, Flanged Up/Down	014090	1	
19	Plate, Bearing Spacer	014108	1	
20	Key, 3/16" Square x 1" Long	S31027	1	
21	Decal, Disconnect Motor Leads Warning	024431	1	
22	BOLT, 3/8-16 X 3/4" HEX HEAD	F05007-27	4	
23	WASHER, 3/8" SPLIT LOCK	F05011-4	4	
24	WASHER, 5/16" SAE FLAT	F05011-17	4	
25	WASHER, 5/16" SPLIT LOCK	F05011-13	4	
26	BOLT, 5/16-18 X 3/4" HEX HEAD GRADE 5	F05006-102	4	
	OIL, 8 OZ. MOBIL SHC634 BOTTLED SYNTHETIC GEAR	L04869-4	1 ³	

¹ Motor 006747 replaces Motor 014359 supplied until 11/08. Order brush kit Part No. A09086 for sawmills built prior to 7/2007 equipped with motors that do not have red and black terminals and are not labeled "Current Applications". Order brush kit Part No. 006619 for sawmills built between 8/2007 and 11/2008 with motors equipped with red and black terminals and not labeled "Current Applications". Order brush kit Part No. 061794 for sawmills built after 11/2008 and/or equipped with motors labeled "Current Applications". Brush Holder 034000 applies only to original 014359 motor and is no longer available (vendor discontinued 3/09).

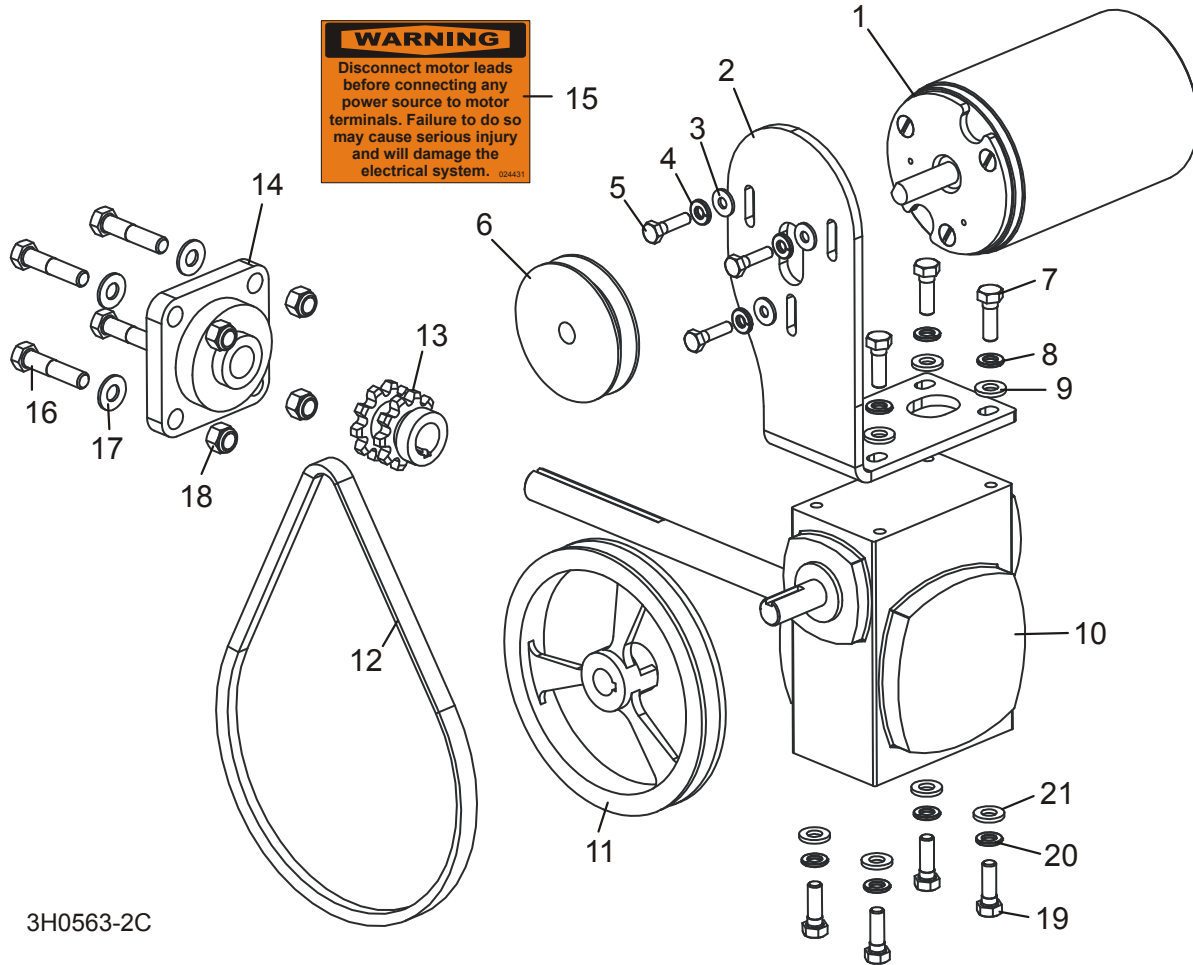
² One F05005-105 replaces two F05004-76 #10-24 x 3/8" Cup Point Set Screws supplied prior to 7/07.

³ 24 oz. required for complete oil replacement.

6.6 Up/Down Assembly, G24/G25/G28

LT30HD
LT40HD

Rev. J7.01 - J8.07
Rev. J8.01 - J9.07



3H0563-2C

REF	DESCRIPTION (◆ Indicates Parts Available In Assemblies Only)	PART #	QTY.	
	UP/DOWN DRIVE ASSEMBLY (G18/G24/G20/G25/G28)	014669 ¹	1	◆
1	Motor, Power Feed	006747 ²	1	
	Brush Kit, 12V Motor (2008)	061794 ²	1	
	Brush Kit, 12V Motor (2007)	006619 ²	1	
	Brush Kit, Power Feed Motor	A09086 ²	1	
	Brush Holder, Motor	034000 ²	1	◆
2	Bracket, Up/Down Motor Mount	014529	1	
3	Washer, 1/4" SAE Flat	F05011-11	3	
4	Washer, 1/4" Split Lock	F05011-14	3	
5	Bolt, 1/4-20 X 1" Hex Head Grade 2	F05005-38	3	

6	Pulley, Up/Down Motor	014087	1	
7	Bolt, 5/16-18 x 1" Hex Head	F05006-1	4	
8	Washer, 5/16" Split Lock	F05011-13	4	
9	Washer, 5/16" SAE Flat	F05011-17	4	
10	Reducer, Gear Box	016622 ¹	1	◆
11	Pulley, Up/Down	014528	1	
12	Belt, 4L280	P04031	1	
13	Sprocket, Up/Down Dual #50 Chain	015346	1	
14	Bearing, Flanged Up/Down	P11600	1	
15	Decal, Disconnect Motor Leads Warning	024431	1	
16	BOLT, 3/8-16 X 1 1/2" HEX HEAD	F05007-3	4	
17	WASHER, 3/8" SAE FLAT	F05011-3	4	
18	NUT, 3/8-16 HEX NYLON LOCK	F05010-10	4	
19	BOLT, 5/16-18 X 3/4" HEX HEAD	F05006-5	4	
20	WASHER, 5/16" SPLIT LOCK	F05011-13	4	
21	WASHER, 5/16" SAE FLAT	F05011-17	4	
	OIL, 8 OZ. MOBIL SHC634 BOTTLED SYNTHETIC GEAR	L04869-4	1 ³	

¹ 014669 assembly with 016622 gearbox replaced with heavy-duty system due to availability from vendor ([See Section 6.5](#)). Use kit 038560 to retrofit gearbox originally supplied. Kit includes gearbox, pulleys, belt and mounting hardware.

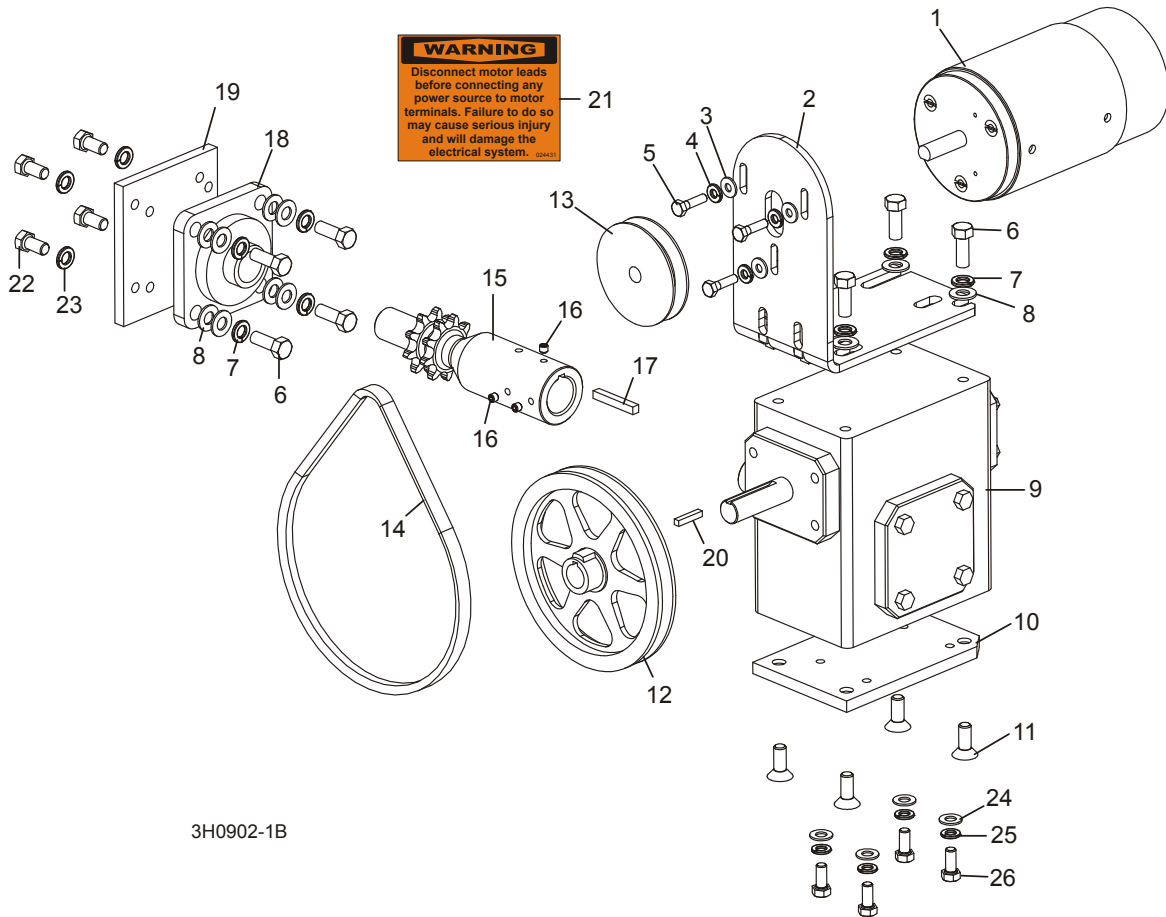
² Motor 006747 replaces Motor 014359 supplied until 11/08. Order brush kit Part No. A09086 for sawmills built prior to 7/2007 equipped with motors that do not have red and black terminals and are not labeled "Current Applications". Order brush kit Part No. 006619 for sawmills built between 8/2007 and 11/2008 with motors equipped with red and black terminals and not labeled "Current Applications". Order brush kit Part No. 061794 for sawmills built after 11/2008 and/or equipped with motors labeled "Current Applications". Brush Holder 034000 applies only to original 014359 motor and is no longer available (vendor discontinued 3/09).

³ 8 - 11 oz. required for complete oil replacement.

6.7 Up/Down Assembly, D33/D34/G36

LT30HD
LT40HD

Rev. J7.01 - J8.07
Rev. J8.01 - J9.07



REF	DESCRIPTION (◆ Indicates Parts Available In Assemblies Only)	PART #	QTY.	
	UP/DOWN DRIVE ASSEMBLY (D33/D34/G36)	036208	1	
1	Motor, Power Feed	006747 ¹	1	
	Brush Kit, 12V Motor (2008)	061794 ¹	1	
	Brush Kit, 12V Motor (2007)	006619 ¹	1	
	Brush Kit, Power Feed Motor	A09086 ¹	1	
	Brush Holder, Motor	034000 ¹	1	◆
2	Bracket, Up/Down Motor Mount	014073	1	
3	Washer, 1/4" SAE Flat	F05011-11	3	
4	Washer, 1/4" Split Lock	F05011-14	3	
5	Bolt, 1/4-20 X 1" Hex Head Grade 5	F05005-101	3	

6	Bolt, 3/8-16 x 1" Hex Head	F05007-7	8	
7	Washer, 3/8" Split Lock	F05011-4	8	
8	Washer, 3/8" SAE Flat	F05011-3	12	
9	Reducer, Gear Box	014074	1	
10	Plate, Gear Box Spacer	014158	1	
11	Bolt, 3/8-16 x 1" Flat Socket Head	F05007-64	4	
12	Pulley, Up/Down	014088	1	
	Belt/Pulley Kit, Standard D33/D34/G36 Up/Down	036213	1	
13	Pulley, AK22 x 1/2"	036204	1	
14	Belt, 4L270	014089	1	
	Shaft Kit, Up/Down Drive	016094	1	
15	Shaft, Up/Down Sprocket	016031	1	◆
16	Screw, 1/4-28 x 1/4" Socket Head Cup Point	F05005-105 ²	3	
17	Key, 1/4" Square x 1 11/16" Long	S04124	1	
18	Bearing, Flanged Up/Down	014090	1	
19	Plate, Bearing Spacer	014108	1	
20	Key, 3/16" Square x 1" Long	S31027	1	
21	Decal, Disconnect Motor Leads Warning	024431	1	
22	BOLT, 3/8-16 X 3/4" HEX HEAD	F05007-27	4	
23	WASHER, 3/8" SPLIT LOCK	F05011-4	4	
24	WASHER, 5/16" SAE FLAT	F05011-17	4	
25	WASHER, 5/16" SPLIT LOCK	F05011-13	4	
26	BOLT, 5/16-18 X 3/4" HEX HEAD GRADE 5	F05006-102	4	
	OIL, 8 OZ. MOBIL SHC634 BOTTLED SYNTHETIC GEAR	L04869-4	1 ³	

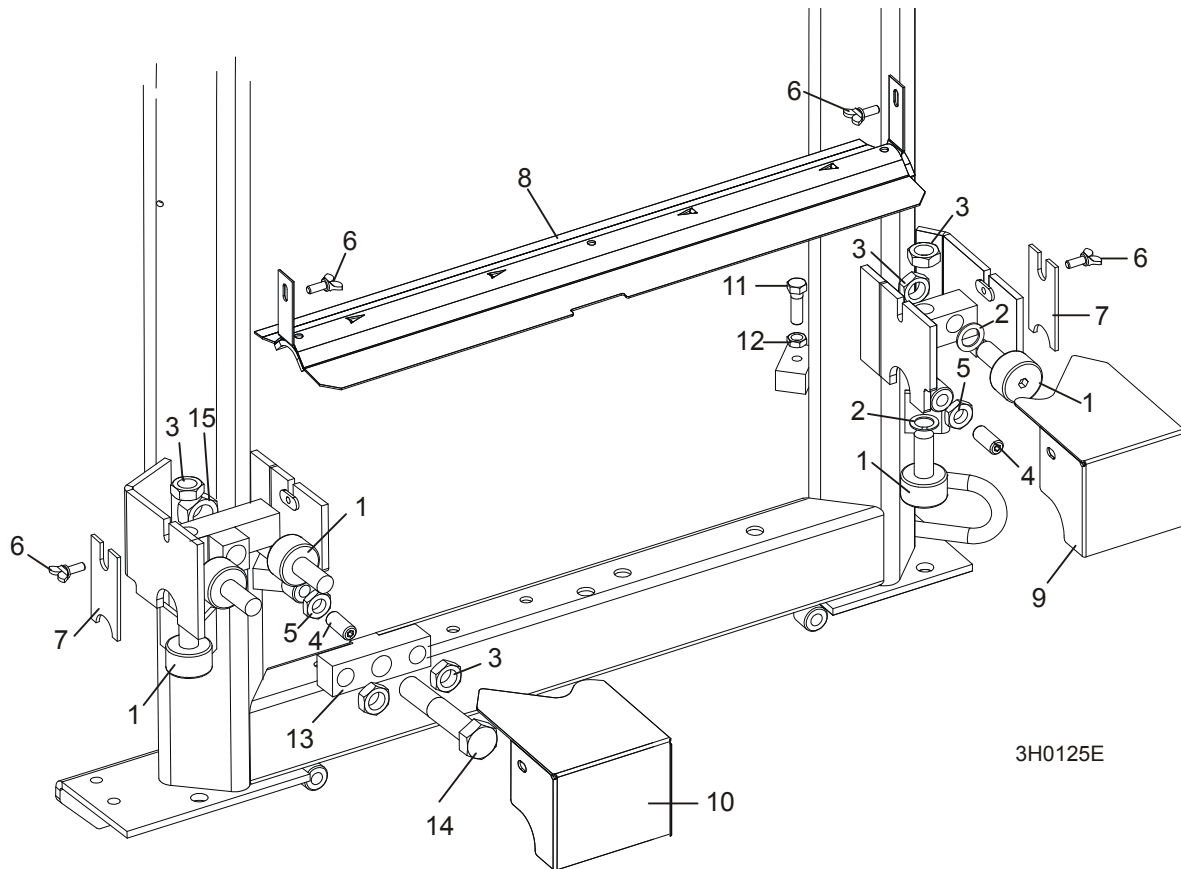
¹ Motor 006747 replaces Motor 014359 supplied until 11/08. Order brush kit Part No. A09086 for sawmills built prior to 7/2007 equipped with motors that do not have red and black terminals and are not labeled "Current Applications". Order brush kit Part No. 006619 for sawmills built between 8/2007 and 11/2008 with motors equipped with red and black terminals and not labeled "Current Applications". Order brush kit Part No. 061794 for sawmills built after 11/2008 and/or equipped with motors labeled "Current Applications". Brush Holder 034000 applies only to original 014359 motor and is no longer available (vendor discontinued 3/09).

² One F05005-105 replaces two F05004-76 #10-24 x 3/8" Cup Point Set Screws supplied prior to 7/07.

³ 24 oz. required for complete oil replacement.

SECTION 7 FEED SYSTEM & TRACK ROLLERS

7.1 Upper Track Rollers And Wipers



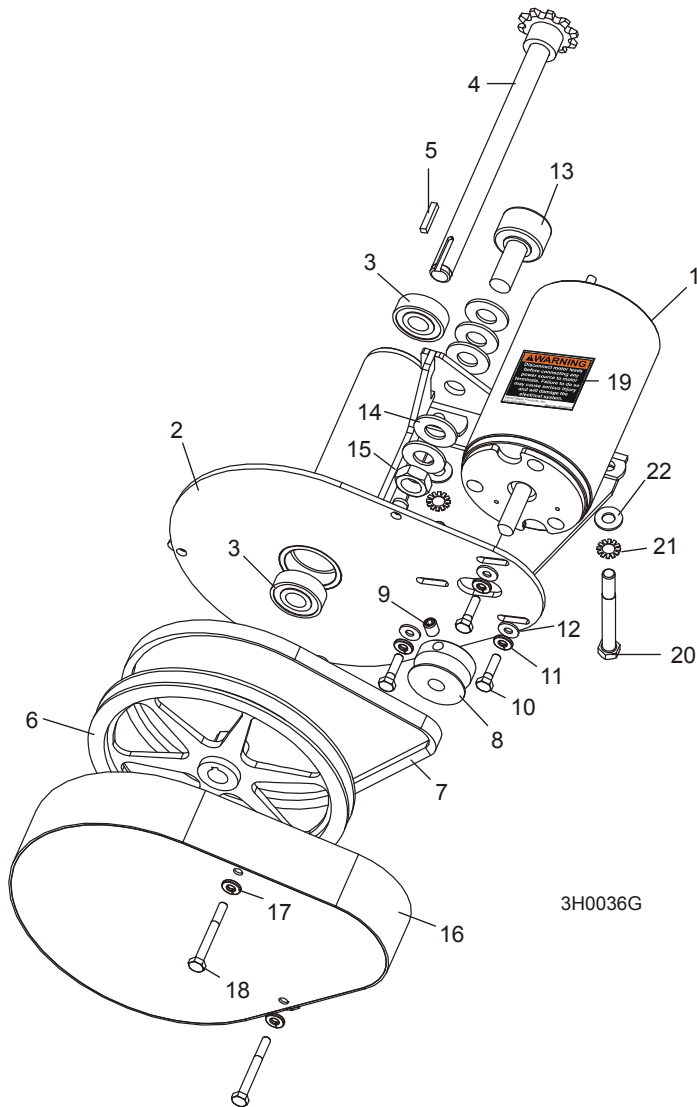
REF	DESCRIPTION (◆ Indicates Parts Available In Assemblies Only)	PART #	QTY.	
1	ROLLER, TRACK CAM BEARING	012797	5	
2	SHIM, 5/8" X 1" X .062"	016510	2	
3	NUT, 5/8-18 HEX JAM	F05010-11	5	
4	SCREW, 1/2-13 X 1 1/4" OVAL POINT SET	F05008-5	2	
5	NUT, 1/2-13 HEX JAM	F05010-31	2	
6	SCREW, 1/4-20 X 5/8" THUMB	F05005-64	4	
7	WIPER, PLASTIC TRACK	M04113	2	
8	COVER, MIDDLE TRACK OILER ASSEMBLY	A09918	1	
	Cover, Middle Track Oiler	S09917	1	◆
	Wiper, Middle Track Felt	S09915	1	
9	HOUSING, UPPER TRACK ROLLER REAR	012999	1	
10	HOUSING, UPPER TRACK ROLLER FRONT	016285	1	
11	BOLT, 3/8-16 X 1 1/4" HEX HEAD	F05007-2	2	
12	NUT, 3/8-16 HEX JAM	F05010-29	2	

Feed System & Track Rollers
Upper Track Rollers And Wipers

7

13	BLOCK, UPPER ROLLER PIVOT	016501	1	
14	BOLT, 3/4-10 X 4" HEX HEAD GRADE 5	F05013-3	1	
15	NUT, 3/4-10 SELF LOCKING	F05010-80	1	

7.2 Power Feed Assembly



REF	DESCRIPTION (◆ Indicates Parts Available In Assemblies Only)	PART #	QTY.	
	POWER FEED ASSEMBLY	A11603	1	
1	Motor, Power Feed	006747 ¹	1	
	Brush Kit, 12V Motor (2008)	061794 ¹	1	
	Brush Kit, 12V Motor (2007)	006619 ¹	1	
	Brush Kit, Power Feed Motor	A09086 ¹	1	
	Brush Holder, Motor	034000 ¹	1	◆
	Screw, 5/16-18 x 3/8" Socket Head Set Oval Point	F05006-40	2	
2	Bracket, Power Feed Mount	W11605	1	
3	Bearing, 5/8" 6203-2NSL	P06030-1	2	

Feed System & Track Rollers

Power Feed Assembly

7

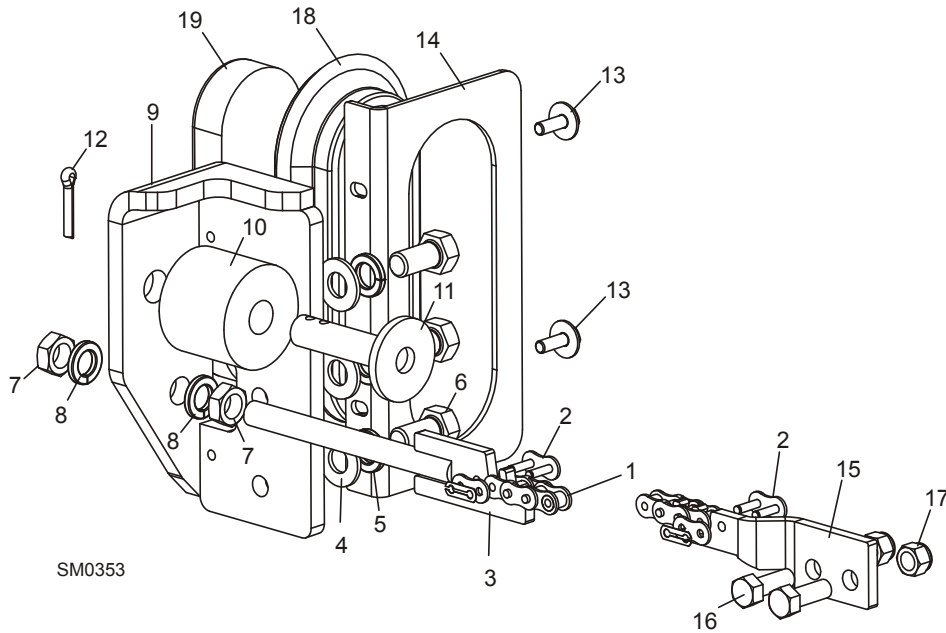
	Shaft Assembly, Power Feed with Key	016067	1	
4	Shaft, Power Feed With Sprocket	W11610	1	◆
5	Key, 3/16" Square x 1" Long	S31027	1	
6	Pulley, 8" Power Feed	P04343	1	
7	Belt, 4L280 V	P04031	1	
8	Pulley, Power Feed Motor	S09579	1	
9	Screw, 3/8-16 X 1/2" Cup Point Socket Set	F05007-12	1	
10	Bolt, 1/4-20 X 1" Hex Head Grade 5	F05005-101	3	
11	Washer, 1/4" Split Lock	F05011-14	3	
12	Washer, 1/4" SAE Flat	F05011-11	3	
13	Bearing, 1 1/2" Cam Follower	012797	1	
14	Washer, 5/8" SAE Flat	F05011-5	6	
15	Nut, 5/8-11 Hex Jam	F05010-11	1	
16	Guard, Power Feed Belt	W11613	1	
17	Washer, 1/4" Split Lock	F05011-14	2	
18	Bolt, 1/4-20 X 2 1/4" Hex Head Grade 2	F05005-32	2	
19	Decal, Disconnect Motor Leads Warning	024431	1	
20	Bolt, 3/8-16 X 3 1/2" Hex Head Grade 8	F05007-6	2	
21	Washer, 3/8" Star Lock	F05011-36	2	
22	Washer, 3/8" SAE Flat	F05011-3	2	

¹ Motor 006747 replaces Motor 014359 supplied until 11/08. Order brush kit Part No. A09086 for sawmills built prior to 7/2007 equipped with motors that do not have red and black terminals and are not labeled "Current Applications". Order brush kit Part No. 006619 for sawmills built between 8/2007 and 11/2008 with motors equipped with red and black terminals and not labeled "Current Applications". Order brush kit Part No. 061794 for sawmills built after 11/2008 and/or equipped with motors labeled "Current Applications". Brush Holder 034000 applies only to original 014359 motor and is no longer available (vendor discontinued 3/09).

7.3 Feed Chain/Stop

LT30HD
LT40HD

Rev. K2.00 - K3.03
Rev. K4.00 - K5.03

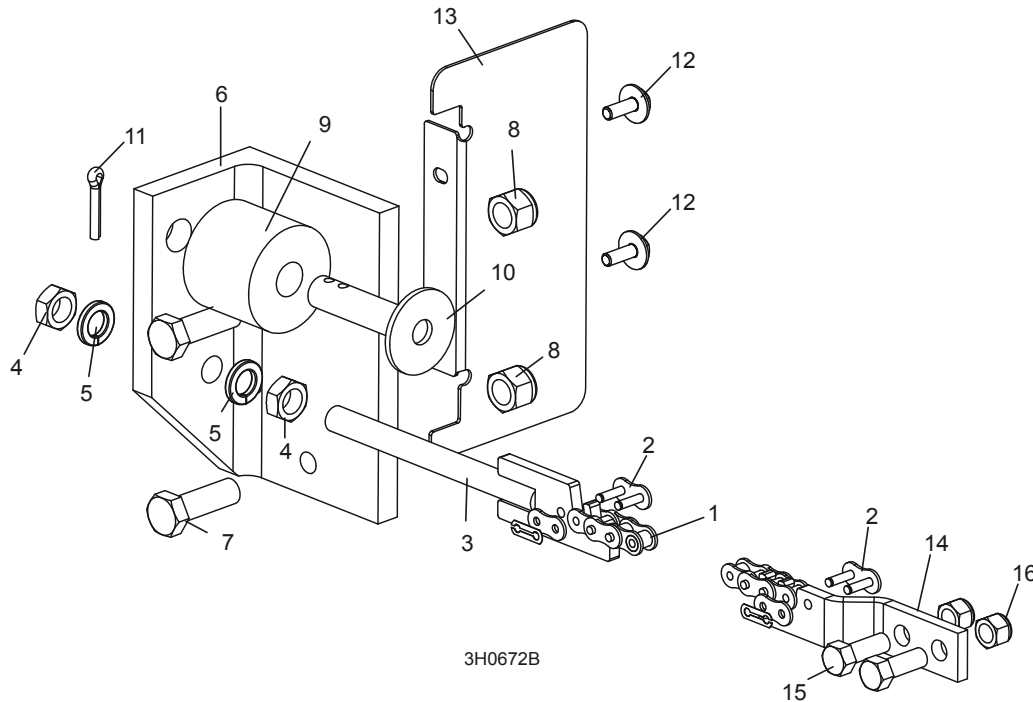


REF	DESCRIPTION (◆ Indicates Parts Available In Assemblies Only)	PART #	QTY.
1	CHAIN, #40 X 215.5" LT30 FEED	014744	1
1	CHAIN, #40 X 267.5" LT40 FEED	014745	1
2	LINK, #40 MASTER	P04200	2
3	TENSIONER WELDMENT, POWER FEED CHAIN	015721	1
4	WASHER, 1/2" SAE FLAT	F05011-2	3
5	WASHER, 1/2" SPLIT LOCK	F05011-9	3
6	BOLT, 1/2-13 X 1" HEX HEAD GRADE 8	F05008-128	3
7	NUT, 1/2-20 HEX JAM	F05010-16	2
8	WASHER, 1/2" SPLIT LOCK	F05011-9	2
9	BRACKET WELDMENT, REAR FEED STOP	006686	1
	STOP KIT, RUBBER CARRIAGE	K09630	2
10	Stop, Rubber Carriage	P12165	1
11	Pin, Rubber Carriage Stop	W09293	1
12	Pin, 3/16" X 1" Cotter	F05012-21	1
13	BOLT, 1/4-20 X 3/4" WITH CONICAL WASHER	F05005-134	1
14	PLATE, BED TUBE END W/LIGHT MOUNT	057822	1
15	BRACKET, FRONT FEED CHAIN MOUNT	015008	1
16	BOLT, 3/8-16 X 1" HEX HEAD	F05007-7	2
17	NUT, 3/8-16 HEX NYLON LOCK	F05010-10	2
18	GROMMET, 6 1/2" LIGHT MOUNTING	006688	1
19	LIGHT, 8 DIODE LED TAIL	006391	1

7.4 Feed Chain/Stop

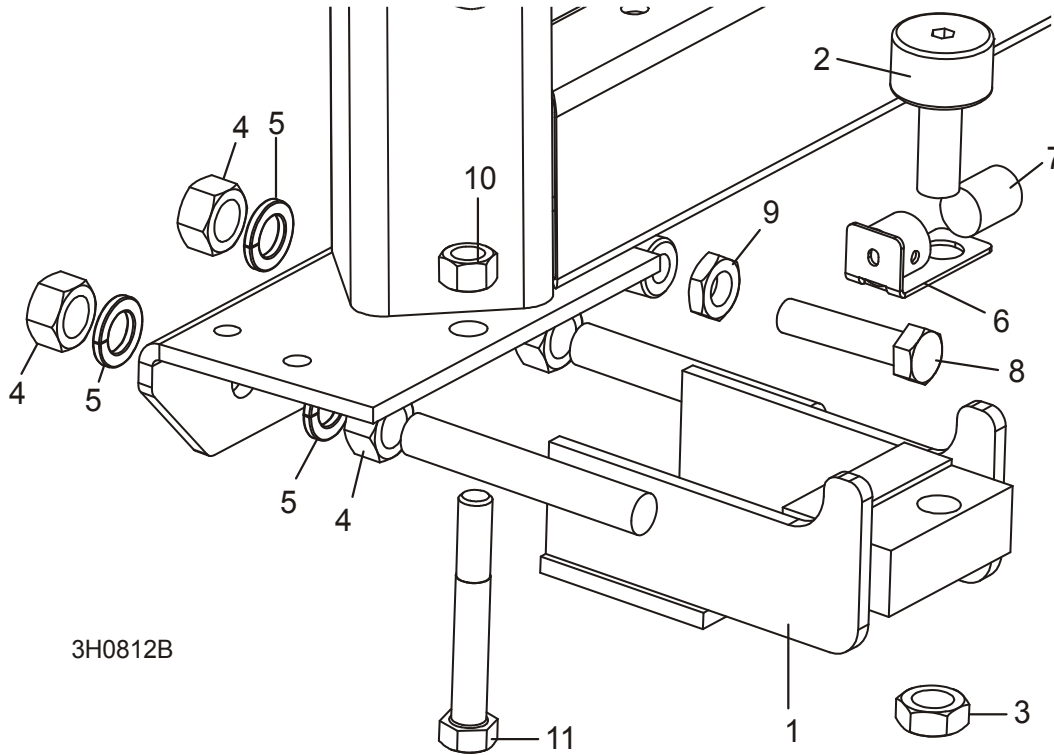
LT30HD
LT40HD

Rev. J7.01 - K1.03
Rev. J8.01 - K3.01



REF	DESCRIPTION (◆ Indicates Parts Available In Assemblies Only)	PART #	QTY.
1	CHAIN, #40 X 215.5" LT30 FEED	014744	1
1	CHAIN, #40 X 267.5" LT40 FEED	014745	1
2	LINK, #40 MASTER	P04200	2
3	TENSIONER WELDMENT, POWER FEED CHAIN	015721	1
4	NUT, 1/2-20 HEX JAM	F05010-16	2
5	WASHER, 1/2" SPLIT LOCK	F05011-9	2
6	BRACKET, 4 X 8 END CAP	016165	1
7	BOLT, 1/2-13 X 1 1/2" HEX HEAD GRADE 5	F05008-33	2
8	NUT, 1/2-13 HEX NYLON LOCK	F05010-8	2
	STOP KIT, RUBBER CARRIAGE	K09630	2
9	Stop, Rubber Carriage	P12165	1
10	Pin, Rubber Carriage Stop	W09293	1
11	Pin, 3/16" X 1" Cotter	F05012-21	1
12	BOLT, 1/4-20 X 3/4" WITH CONICAL WASHER	F05005-134	1
13	CAP, 4 X 8" REAR FORMED	016164	1
14	BRACKET, FRONT FEED CHAIN MOUNT	015008	1
15	BOLT, 3/8-16 X 1" HEX HEAD	F05007-7	2
16	NUT, 3/8-16 HEX NYLON LOCK	F05010-10	2

7.5 Lower Track Rollers



REF	DESCRIPTION (◆ Indicates Parts Available In Assemblies Only)	PART #	QTY.	
	ROLLER ASSEMBLY, LOWER TRACK	012995	2	
1	Bracket, Lower Track Roller Mounting	012982	1	◆
2	Roller, Track Cam Bearing	012797	1	
3	Nut, 5/8-18 Hex Jam	F05010-11	1	
4	Nut, 5/8-11 Hex	F05010-5	4	
5	Washer, 5/8" Split Lock Grade 8	F05011-118 ¹	4	
6	Bracket Weldment, Lower Track Roller Wiper	033374	1	
7	Wiper, Round Gray Felt	033375	1	
8	BOLT, 1/2-13 X 2 1/4" HEX HEAD FULL THREAD	F05008-2	2	
9	NUT, 1/2-13 HEX JAM	F05010-31	2	
10	NUT, 1/2-13 HEX LOCK	F05010-3	2	
11	BOLT, 1/2-13 X 3 1/2" HEX HEAD GRADE 5	F05008-61	2	

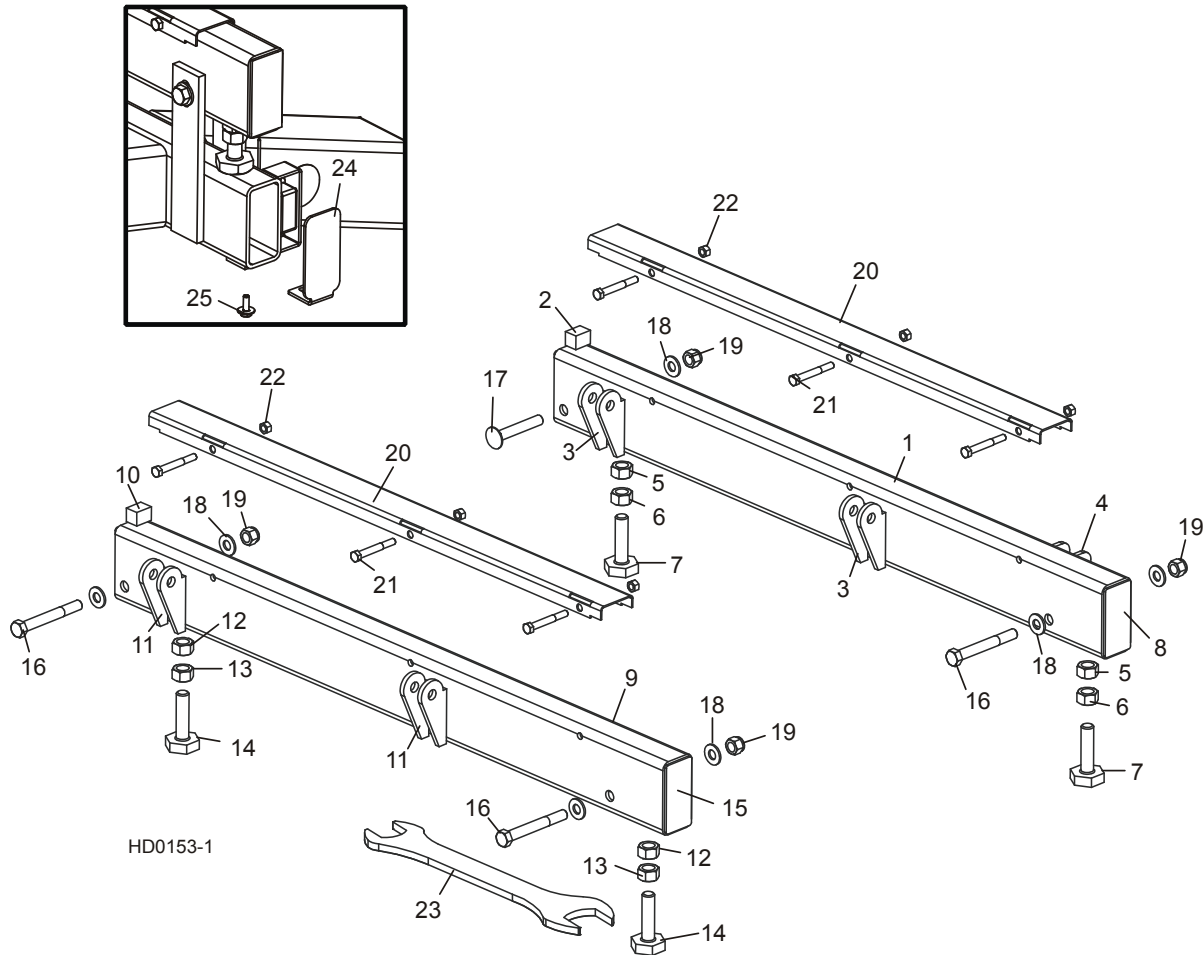
¹ Grade 8 washers replace F05011-27 originally supplied before 8/07 to improve durability.

SECTION 8 BED FRAME ASSEMBLY

8.1 Bed Rail Assembly, Front And Rear

LT30HD
LT40HD

Rev. J9.02 - K3.03
Rev. K1.04 - K5.03



REF	DESCRIPTION (◆ Indicates Parts Available In Assemblies Only)	PART #	QTY.	
	BED RAIL ASSEMBLY, REAR PAINTED	014467	1	
1	Bed Rail Tube, Long	015974	1	◆
2	Block, Log Stop	S09034	1	
3	Bracket, Roller Toe Board Mount	S13021	4	◆
4	Bracket, Saw Head Rest Pin Mount	014150	2	◆
5	Nut, 5/8-11 Pilot Weld	F05010-84	2	
6	Nut, 5/8-11 Hex	F05010-5	2	
7	Bolt, Bed Rail Adjustment	S13006	2	
8	Plate, Bed Rail End Cap	S04058	2	◆

8

Bed Frame Assembly*Bed Rail Assembly, Front And Rear*

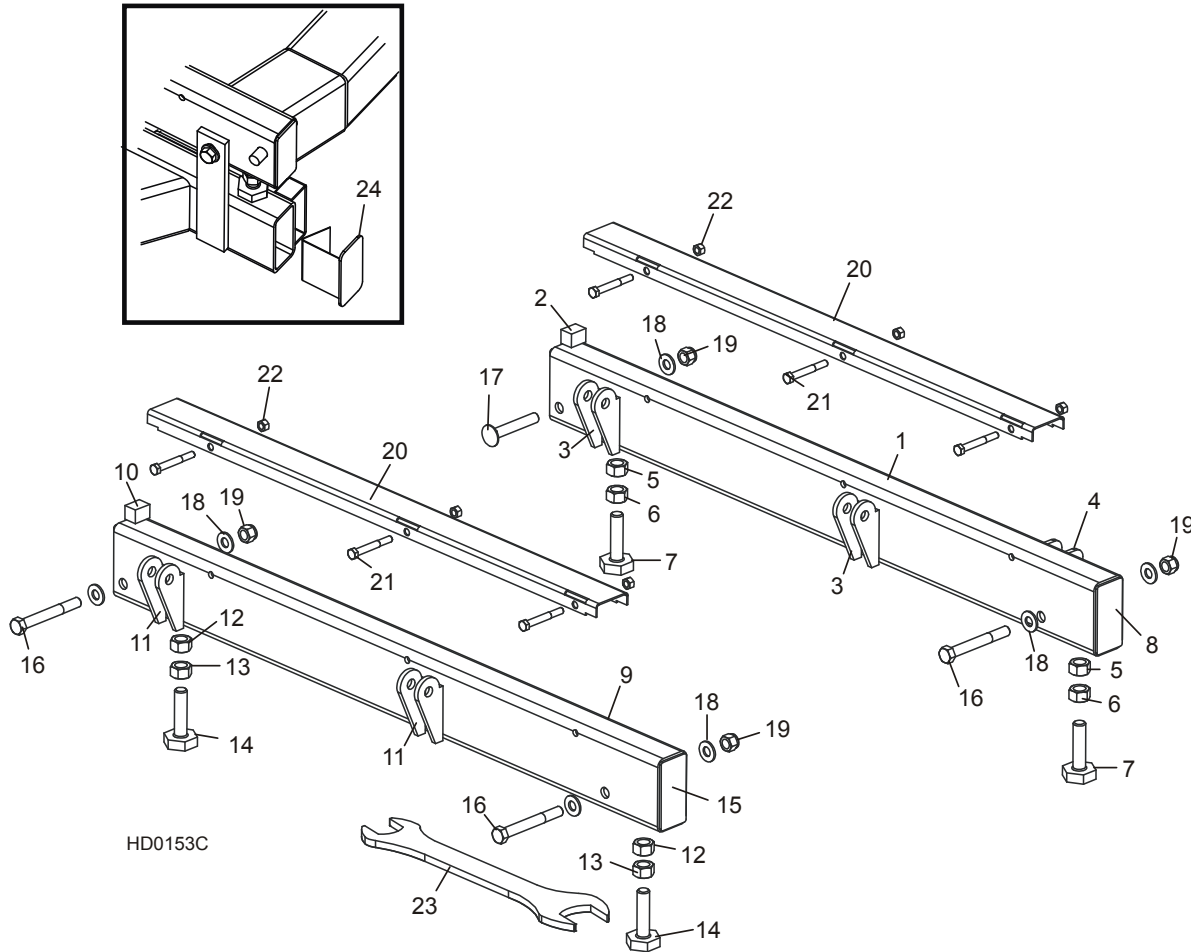
	BED RAIL ASSEMBLY, FRONT PAINTED			
		014455	1	
9	Bed Rail Tube, Long	015974	1	◆
10	Block, Log Stop	S09034	1	
11	Bracket, Roller Toe Board Mount	S13021	4	◆
12	Nut, 5/8-11 Pilot Weld	F05010-84	2	
13	Nut, 5/8-11 Hex	F05010-5	2	
14	Bolt, Bed Rail Adjustment	S13006	2	
15	Plate, Bed Rail End Cap	S04058	2	◆
16	BOLT, 1/2-13 X 4" HEX HEAD	F05008-78	3	
17	BOLT, 1/2-13 X 3 1/2" CARRIAGE	F05008-94 ¹	1	
18	WASHER, 1/2" SAE FLAT	F05011-2	7	
19	NUT, 1/2-13 NYLON LOCK	F05010-8	4	
20	COVER, STAINLESS STEEL BED RAIL	016898	2	
21	BOLT, 5/16-18 X 2 1/2" HEX HEAD	F05006-10	6	
22	NUT, 5/16-18 HEX LOCK	F05010-6	6	
23	WRENCH, BED RAIL ADJUSTMENT	015970	1	
24	CAP, BED RAIL REMOVABLE END	038843	2	
25	BOLT, 1/4-20 X 3/4" W/CONICAL WASHER HEAD	F05005-134	2	

¹ Used on rear bed rail to allow clearance for optional side support rollers.

8.2 Bed Rail Assembly, Front And Rear

LT30HD
LT40HD

Rev. J7.01 - J9.01
Rev. J8.01 - K1.03



HD0153C

REF	DESCRIPTION (◆ Indicates Parts Available In Assemblies Only)	PART #	QTY.	
	BED RAIL ASSEMBLY, REAR PAINTED	014467	1	
1	Bed Rail Tube, Long	015974	1	◆
2	Block, Log Stop	S09034	1	
3	Bracket, Roller Toe Board Mount	S13021	4	◆
4	Bracket, Saw Head Rest Pin Mount	014150	2	◆
5	Nut, 5/8-11 Pilot Weld	F05010-84	2	
6	Nut, 5/8-11 Hex	F05010-5	2	
7	Bolt, Bed Rail Adjustment	S13006	2	
8	Plate, Bed Rail End Cap	S04058	2	◆
	BED RAIL ASSEMBLY, FRONT PAINTED	014455	1	
9	Bed Rail Tube, Long	015974	1	◆

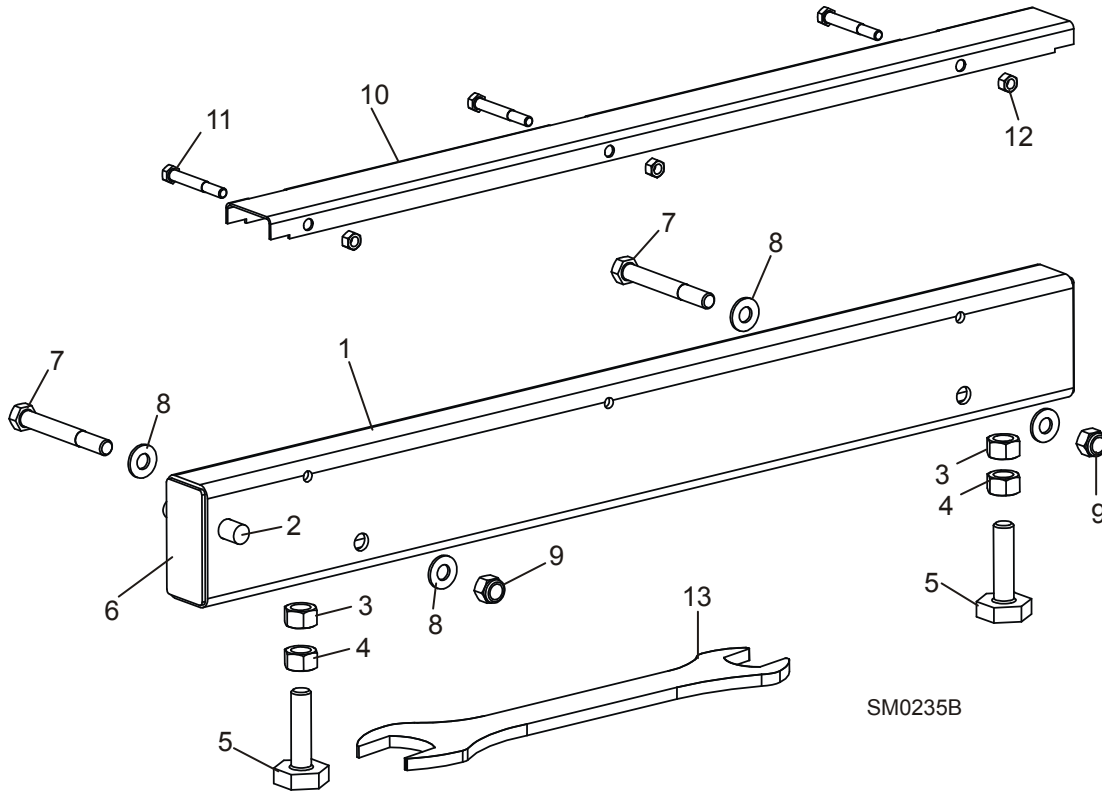
8

Bed Frame Assembly*Bed Rail Assembly, Front And Rear*

10	Block, Log Stop	S09034	1	
11	Bracket, Roller Toe Board Mount	S13021	4	◆
12	Nut, 5/8-11 Pilot Weld	F05010-84	2	
13	Nut, 5/8-11 Hex	F05010-5	2	
14	Bolt, Bed Rail Adjustment	S13006	2	
15	Plate, Bed Rail End Cap	S04058	2	◆
16	BOLT, 1/2-13 X 4" HEX HEAD	F05008-78	3	
17	BOLT, 1/2-13 X 3 1/2" CARRIAGE	F05008-94 ¹	1	
18	WASHER, 1/2" SAE FLAT	F05011-2	7	
19	NUT, 1/2-13 NYLON LOCK	F05010-8	4	
20	COVER, STAINLESS STEEL BED RAIL	016898	2	
21	BOLT, 5/16-18 X 2 1/2" HEX HEAD	F05006-10	6	
22	NUT, 5/16-18 HEX LOCK	F05010-6	6	
23	WRENCH, BED RAIL ADJUSTMENT	015970	1	
24	CAP WELDMENT, BED RAIL REMOVABLE END	014652	2	

¹ Used on rear bed rail to allow clearance for optional side support rollers.

8.3 Bed Rail Assembly, Middle Front

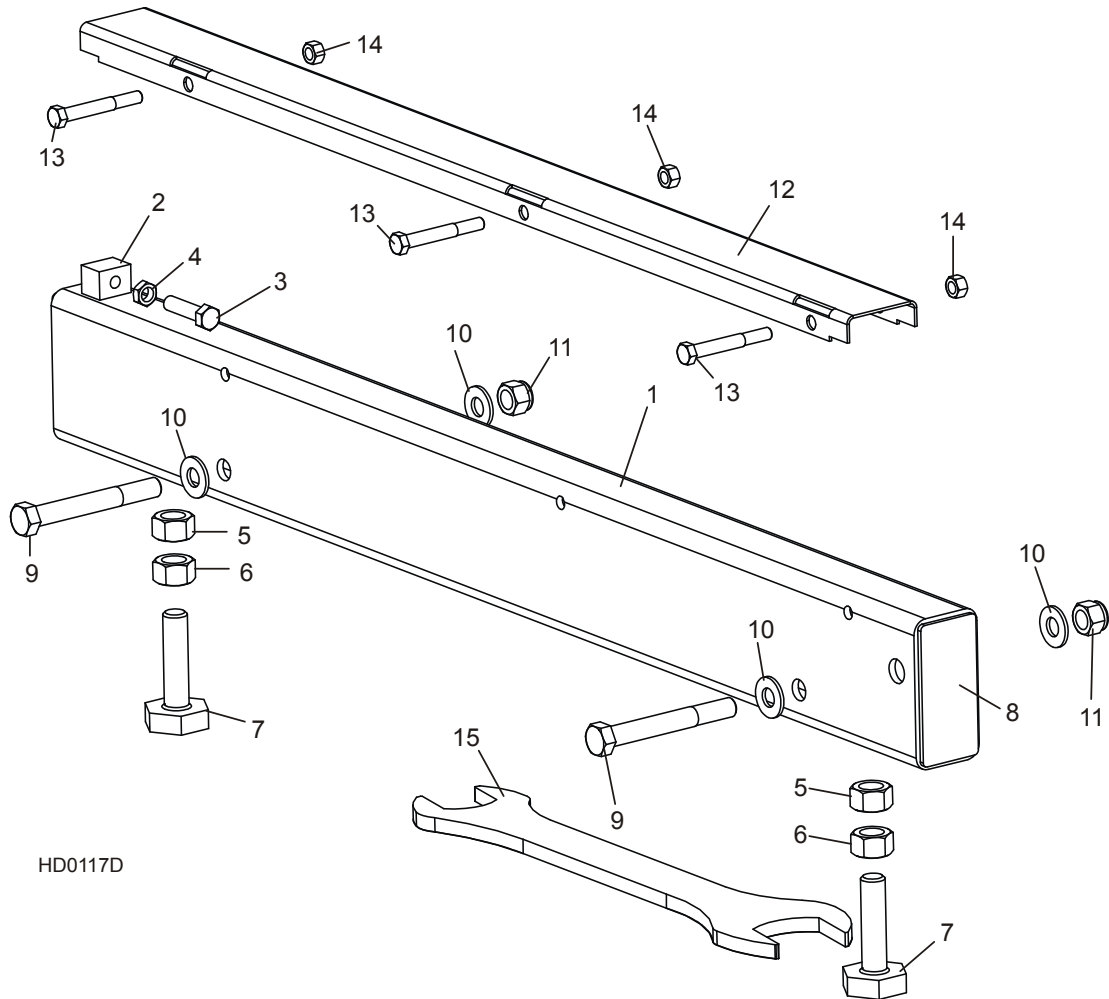


REF	DESCRIPTION (◆ Indicates Parts Available In Assemblies Only)	PART #	QTY.	
	BED RAIL ASSEMBLY, FRONT MIDDLE	A09566	1	
1	Bed Rail Tube, Short	S09103	1	◆
2	Pin, Ramp Mount	S04030	1	
3	Nut, 5/8-11 Pilot Weld	F05010-84	2	
4	Nut, 5/8-11 Hex	F05010-5	2	
5	Bolt, Bed Rail Adjustment	S13006	2	
6	Plate, Bed Rail End Cap	S04058	2	◆
7	BOLT, 1/2-13 X 4" HEX HEAD GRADE 5	F05008-78	2	
8	WASHER, 1/2" SAE FLAT	F05011-2	4	
9	NUT, 1/2-13 NYLON LOCK	F05010-8	2	
	COVER ASSEMBLY, STAINLESS STEEL BED RAIL (LONG)	A09956	1	
10	Cover, Stainless Steel Bed Rail	S09944	1	◆
11	Bolt, 5/16-18 X 2 1/2" Hex Head	F05006-10	3	
12	Nut, 5/16-18 Hex Lock	F05010-6	3	
13	WRENCH, BED RAIL ADJUSTMENT	015970	1	

8 Bed Frame Assembly

Bed Rail Assembly, Middle Rear

8.4 Bed Rail Assembly, Middle Rear



REF	DESCRIPTION (◆ Indicates Parts Available In Assemblies Only)	PART #	QTY.	
	BED RAIL ASSEMBLY, REAR MIDDLE PAINTED	015757	1	
1	Bed Rail Tube, Short	014640	1	◆
2	Block, Log Stop w/Threaded Hole	014639	1	◆
3	Bolt, 3/8-16 x 1 1/2 Full Thead Hex Head	F05007-17	1	
4	Nut, 3/8-16 Hex Jam	F05010-29	1	
5	Nut, 5/8-11 Square Pilot Weld	F05010-187	2	
6	Nut, 5/8-11 Hex	F05010-5	2	
7	Bolt, Bed Rail Adjustment	S13006	2	
8	Plate, Bed Rail End Cap	S04058	1	
9	BOLT, 1/2-13 X 4" HEX HEAD GRADE 5	F05008-78	2	
10	WASHER, 1/2" SAE FLAT	F05011-2	4	
11	NUT, 1/2-13 NYLON LOCK	F05010-8	2	

Bed Frame Assembly
Bed Rail Assembly, Middle Rear

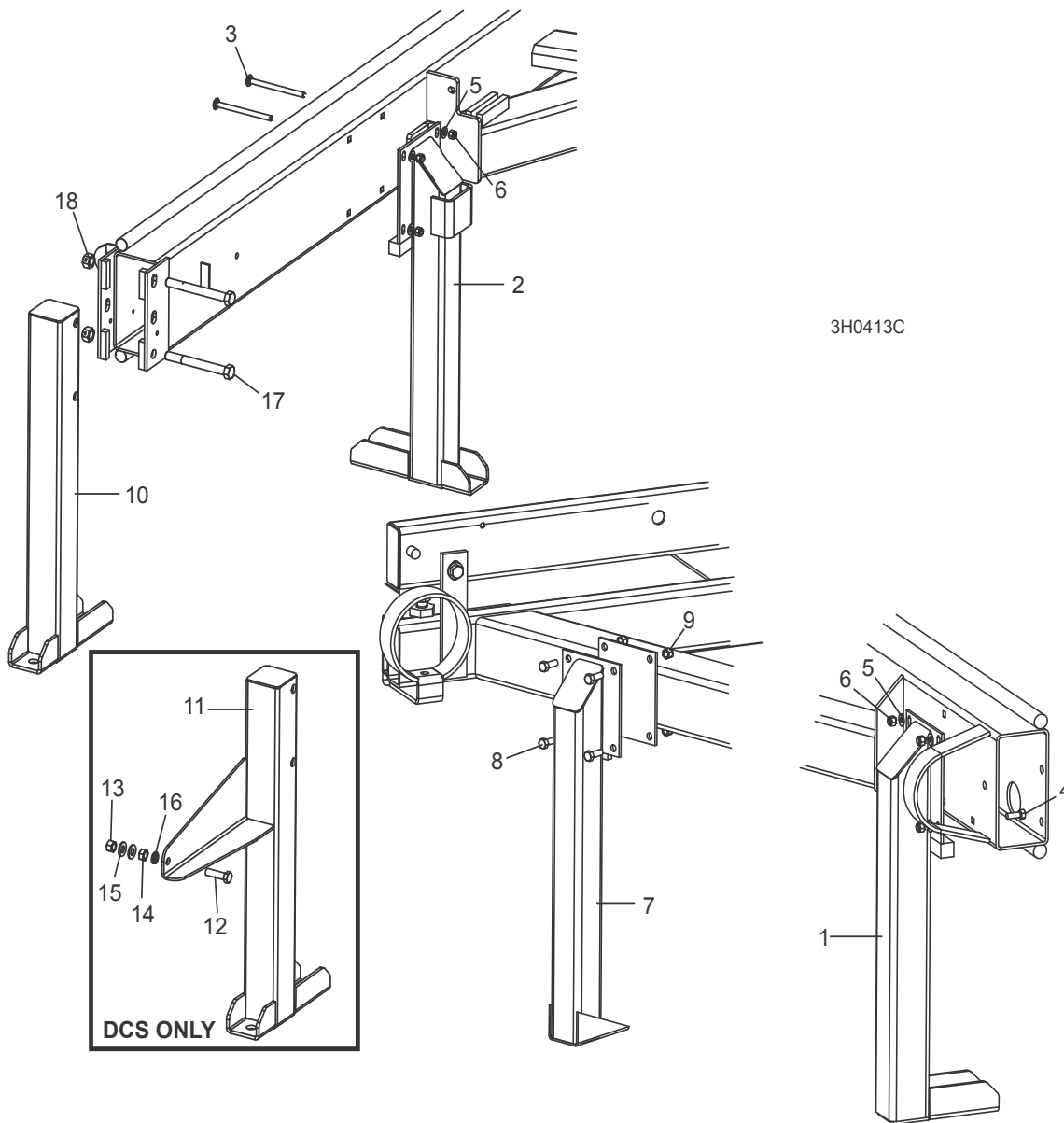
8

	COVER ASSEMBLY, STAINLESS STEEL BED RAIL (LONG)	A09956	1	
12	Cover, Stainless Steel Bed Rail	S09944	1	◆
13	Bolt, 5/16-18 X 2 1/2" Hex Head	F05006-10	3	
14	Nut, 5/16-18 Hex Lock	F05010-6	3	
15	WRENCH, BED RAIL ADJUSTMENT	015970	1	

8 Bed Frame Assembly

Leg Assembly (Stationary)

8.5 Leg Assembly (Stationary)



REF	DESCRIPTION (◆ Indicates Parts Available In Assemblies Only)	PART #	QTY.
1	LEG, LONG STATIONARY (1 REQ'D FOR LT30HD; 3 REQ'D FOR LT40HD)	W09513	1/3
2	LEG, LONG STATIONARY W/BOARD RETURN TABLE BRACKET	015091	1
3	BOLT, 3/8-16 X 5" CARRIAGE HEAD	F05007-113	8/12
4	BOLT, 3/8-16 X 1 1/4" HEX HEAD (REQ'D FOR REAR LT40HD ONLY)	F05007-2	4
5	WASHER, 3/8" SAE FLAT	F05011-3	8/16
6	NUT, 3/8-16 HEX NYLON LOCK	F05010-10	8/16

Bed Frame Assembly
Leg Assembly (Stationary)

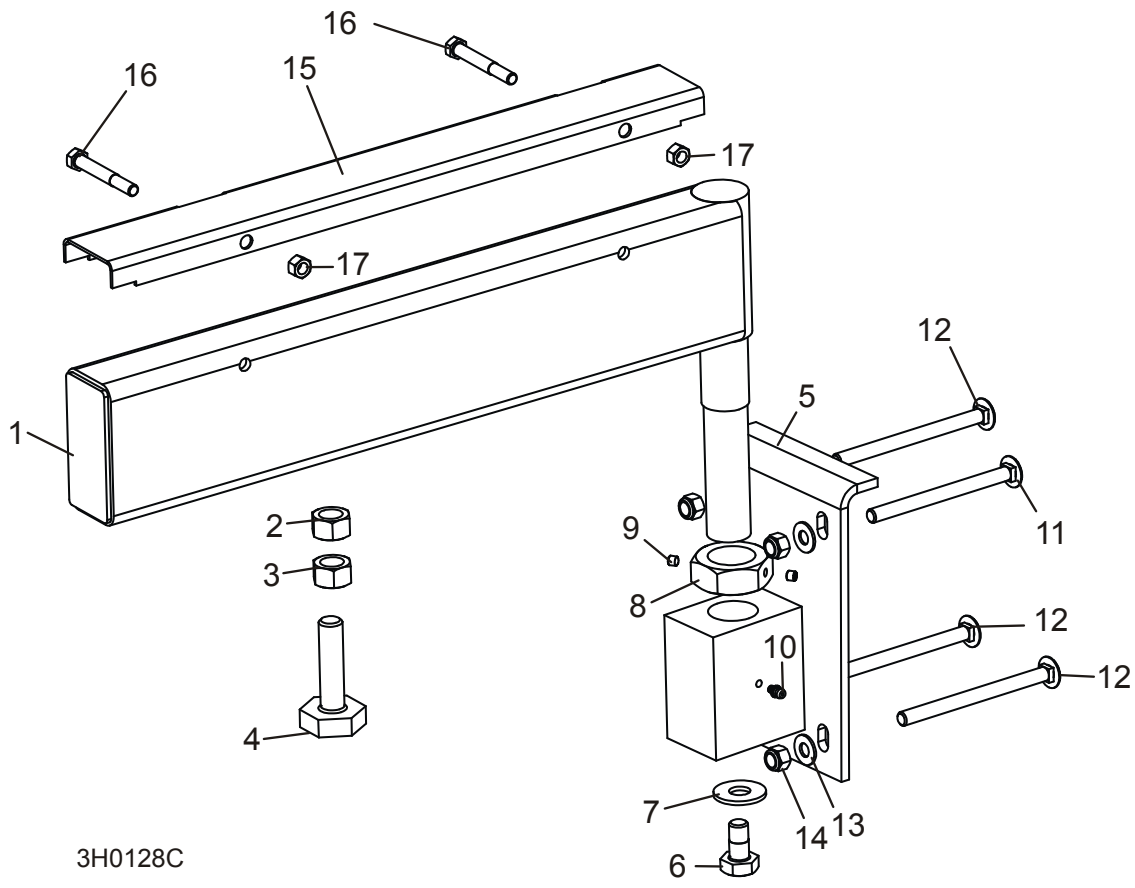
8

7	LEG, SHORT STATIONARY	W09515	2	
8	BOLT, 3/8-16 X 1 1/4" HEX HEAD	F05007-2	8	
9	NUT, 3/8-16 HEX NYLON LOCK	F05010-10	8	
10	LEG, FRONT STATIONARY	W09517	1	
11	BOLT, 5/8-11 X 5 1/2" HEX HEAD GRADE 5	F05009-11	2	
12	NUT, 5/8-11 HEX LOCK	F05010-4	2	

8 Bed Frame Assembly

Pivot Bed Rail Assembly

8.6 Pivot Bed Rail Assembly



3H0128C

REF	DESCRIPTION (◆ Indicates Parts Available In Assemblies Only)	PART #	QTY.	
	PIVOT BED RAIL ASSEMBLY (LT40HD)	A13015	2	
	PIVOT BED RAIL ASSEMBLY (LT30HD)	012993	2	
1	Pivot Bed Rail Weldment (LT40HD)	W13014	1	◆
	Pivot Bed Rail Weldment (LT30HD)	012992	1	◆
2	Nut, 5/8-11 Pilot Weld	F05010-84	2	
3	Nut, 5/8-11 Hex	F05010-5	2	
4	Bolt, Bed Rail Adjustment	S13006	2	
5	Bracket, Pivot Rail Mounting	W13090	1	
6	Bolt, 1/2-13 x 1" Hex Head Grade 2	F05008-50	1	
7	Washer, 9/16" SAE Flat	F05011-52	1	
8	Nut, Pivot Rail Adjustment	S13016	1	
9	Screw, 1/4-28 x 1/4" Brass Tip Set	F05005-42	2	
10	Fitting, 3/16" Grease	P04107	1	
11	BOLT, 3/8-16 X 4 3/4" CARRIAGE HEAD	F05007-114	2	

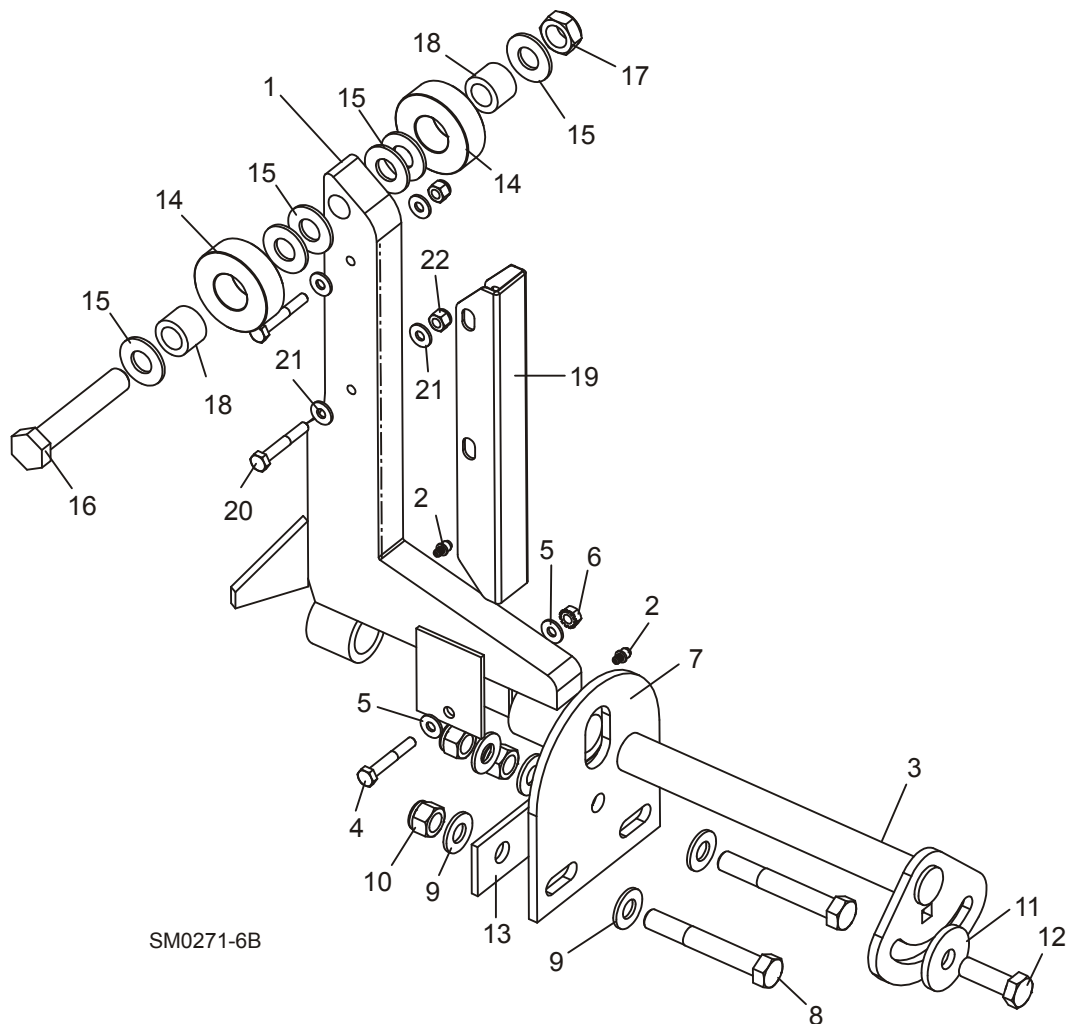
12	BOLT, 3/8-16 X 5" CARRIAGE HEAD	F05007-113	6	
13	WASHER, 3/8" SAE FLAT	F05011-3	8	
14	NUT, 3/8-16 NYLON LOCK	F05010-10	8	
	COVER KIT, PIVOT RAIL STAINLESS STEEL (LT40HD)	017710	2	
	COVER KIT, PIVOT RAIL STAINLESS STEEL (LT30HD)	015926	2	
15	Cover, Stainless Steel Pivot Bed Rail (LT40HD)	S13012	1	
	Cover, Stainless Steel Pivot Bed Rail (LT30HD)	012994	1	
16	Bolt, 5/16-18 X 2 1/2" Hex Head	F05006-10	2	
17	Nut, 5/16-18 Hex Lock	F05010-6	2	
	WRENCH, BED RAIL ADJUSTMENT (See Section 8.1)	015970	1	

8 Bed Frame Assembly

Log Side Support Assembly (Manual)

8.7 Log Side Support Assembly (Manual)

[See Section 10.6](#) for hydraulic side supports



REF	DESCRIPTION (◆ Indicates Parts Available In Assemblies Only)	PART #	QTY.
1	SUPPORT, LOG SIDE	015235 ¹	2
2	Fitting, 3/16" Grease	P04107	2
	MOUNTING KIT, LOG SIDE SUPPORT	016559	2
3	Pin, Log Side Support Pivot	016544	1
4	Bolt, 1/4-20 X 1 1/2" Hex Head Grade 5	F05005-4	1
5	Washer, 1/4" SAE Flat	F05011-11	2
6	Nut, 1/4-20 Self Locking	F05010-9	1
7	Plate, Log Side Support End	016555	1
8	Bolt, 1/2-13 X 3 1/2" Hex Head Grade 5	F05008-61	2

9	Washer, 1/2" SAE Flat	F05011-2	5	
10	Nut, 1/2-13 Hex Nylon Lock	F05010-8	3	
11	Washer, .52" x 1.69"	014632 ²	1	
12	Bolt, 1/2-13 X 1 1/2" Hex Head Grade 5	F05008-33	1	
13	Plate, Side Support Washer Clamp	016558	1	
	ROLLER KIT, SIDE SUPPORT	016562	4	
14	Roller, Side Support	016561	2	
15	Washer, 5/8" SAE Flat	F05011-5 ³	6	
16	Bolt, 5/8-11 x 3 3/4" Hex Head Grade 5	F05009-118 ⁴	1	
17	Nut, 5/8-11 Hex Nylon Lock Jam	F05010-96	1	
18	Bushing, Bronze 5/8" x 1" x 3/4"	016560	2	
	Bolt, 1/2-13 x 3 1/2" Carriage Head	F05008-94	1	
	Instruction Sheet, Side Support Roller	016562-526	1	
	GUARD KIT, STAINLESS STEEL SIDE SUPPORT (OPTIONAL)	016798	1	
19	Guard, Stainless Steel Side Support	016722	4	
20	Bolt, 1/4-20 x 1 3/4" Hex Head	F05005-4	8	
21	Washer, 1/4" SAE Flat	F05011-11	16	
	Washer, 5/8" SAE Flat	F05011-5 ³	4	
22	Nut, 1/4-20 Hex Nylon Lock	F05010-69	8	
	Instruction Sheet, Stainless Steel Side Support Guard Retro	016798-1005	1	

¹ HSS-A kit available to retrofit manual sides supports to 4-Link Hydraulic Side Supports.

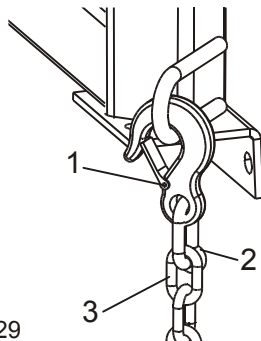
² Oversized Washer 014632 replaces 1/2" SAE Flat Washer F05011-2 to provide larger clamping area during adjustment (LT30HD Rev. K3.03 & LT40HD Rev. K5.03).

³ Additional 5/8" SAE Flat Washer F05011-5 may be required on each side of side support to provide clearance for optional stainless steel side support guards. Extra washers are included in the stainless steel guard retrofit kit (016798).

⁴ Longer bolt replaces 3 1/2" F05009-93 used before 3/07.

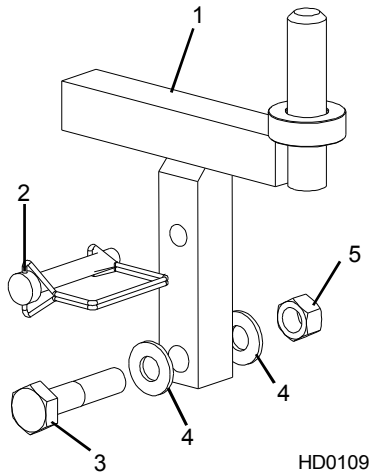
8 **Bed Frame Assembly**
Safety Chain Assembly

8.8 Safety Chain Assembly



REF	DESCRIPTION (◆ Indicates Parts Available In Assemblies Only)	PART #	QTY.	
	CHAIN ASSEMBLY, TIE DOWN	A04376	1	
1	Hook, 5/8" Safety Chain	P12075	1	◆
2	Cold Shut, 3/8" Plain	P04772-2	1	◆
3	Chain, 5/16" Unplated	R02111	.938 ft.	◆

8.9 Saw Head Rest Pin Assembly



REF	DESCRIPTION (◆ Indicates Parts Available In Assemblies Only)	PART #	QTY.	
1	PIN, SAW HEAD REST	014102	1	
2	PIN, 3/8" X 2 1/4" SNAP RETAINER	014151	1	
3	BOLT, 1/2-13 X 2 1/4" HEX HEAD GRADE 5	F05008-10	1	
4	WASHER, 1/2" SAE FLAT	F05011-2	2	
5	NUT, 1/2-13 HEX LOCK	F05010-3	1	

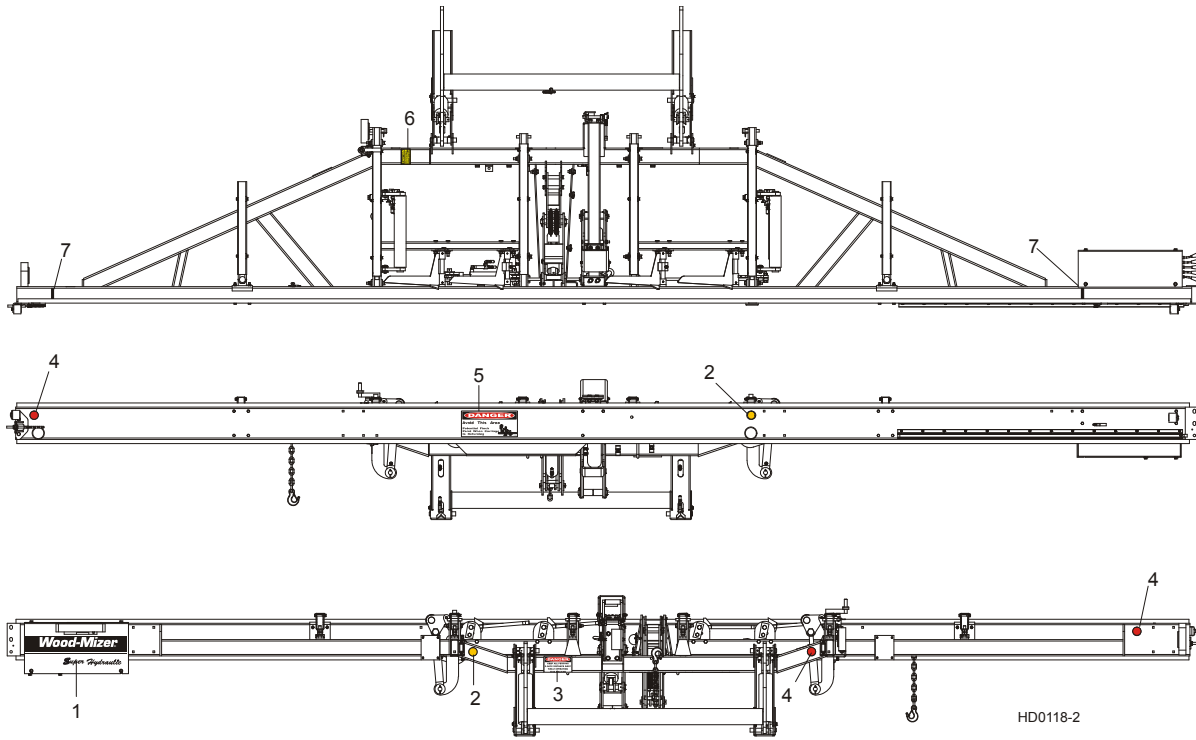
8 Bed Frame Assembly

Bed Frame Decals

8.10 Bed Frame Decals

LT30HD
LT40HD

Rev. K1.02 (1/08) - K3.03
Rev. K3.00 (1/08) - K5.03

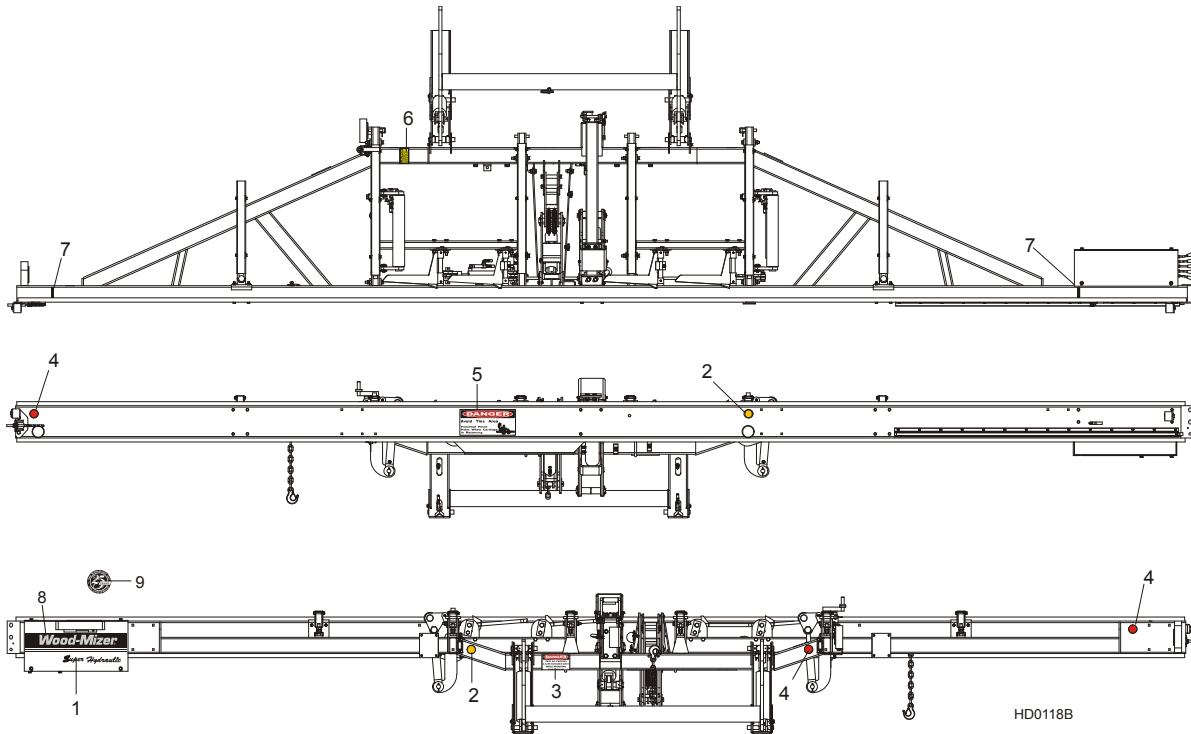


REF	DESCRIPTION (◆ Indicates Parts Available In Assemblies Only)	PART #	QTY.
1	DECAL, HYDRAULIC LOGO W/STRIPES	003251	1
2	DECAL, AMBER REFLECTIVE 2" ROUND	P07453	2
3	DECAL, KEEP AWAY DANGER	S09851	1
4	DECAL, RED REFLECTIVE 2" ROUND	P07452	3
5	DECAL, PINCH POINT DANGER	P10287	1
6	DECAL, SAW HEAD REST CAUTION	S12581	1
7	DECAL, LOG LIMIT STRIPE	S12051	2

8.11 Bed Frame Decals

LT30HD
LT40HD

Rev. J7.01 - K1.02 (12/07)
Rev. J8.01 - K3.00 (12/07)



REF	DESCRIPTION (◆ Indicates Parts Available In Assemblies Only)	PART #	QTY.
1	DECAL, HYDRAULIC LOGO W/STRIPES	003251 ¹	1
2	DECAL, AMBER REFLECTIVE 2" ROUND	P07453	2
3	DECAL, KEEP AWAY DANGER	S09851	1
4	DECAL, RED REFLECTIVE 2" ROUND	P07452	3
5	DECAL, PINCH POINT DANGER	P10287	1
6	DECAL, SAW HEAD REST CAUTION	S12581	1
7	DECAL, LOG LIMIT STRIPE	S12051	2
8	DECAL, SILVER WOOD-MIZER LOGO	003234 ¹	1
9	DECAL, ANNIVERSARY LOGO	003237 ¹	1

¹ Hydraulic Logo Decal S12573 replaced with new logo decals 1/07.

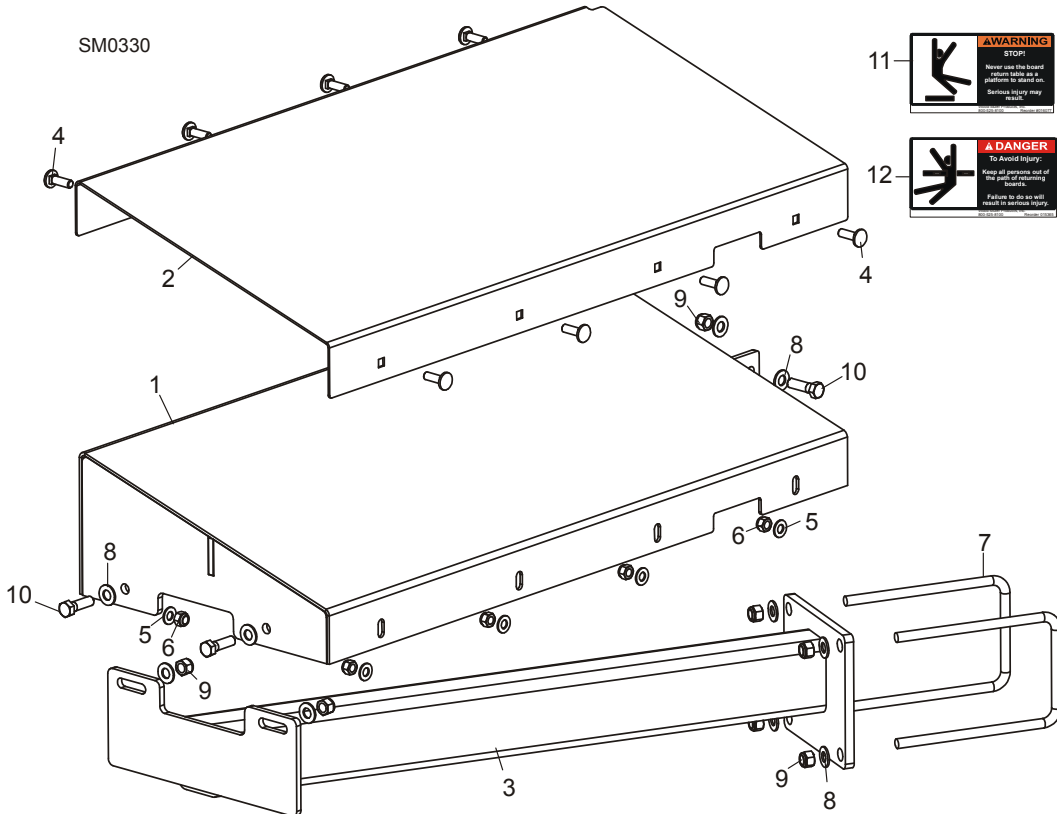
8 Bed Frame Assembly

Board Return Table Assembly (Optional)

8.12 Board Return Table Assembly (Optional)

LT30HD
LT40HD

Rev. K1.01 - K3.03
Rev. K2.01 - K5.03

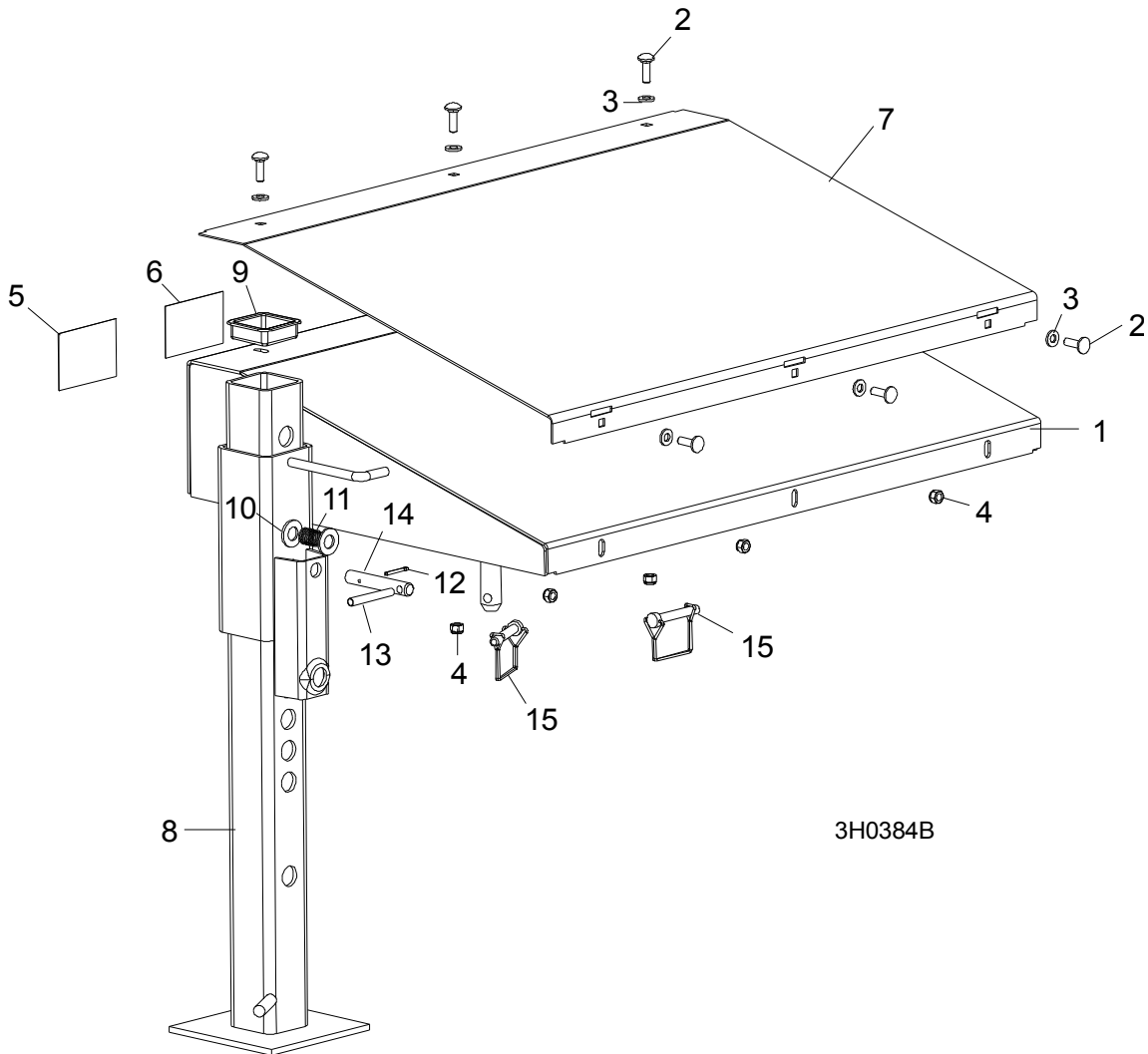


REF	DESCRIPTION (◆ Indicates Parts Available In Assemblies Only)	PART #	QTY.
	TABLE ASSEMBLY, BOARD RETURN (LT40)	003264	1
	TABLE ASSEMBLY, BOARD RETURN (LT30)	003270	1
1	Table Weldment, Board Return	055515	1
2	Cover, Board Return Table	003259	1
3	Mount Weldment, Board Return Table (LT40)	055533	1
	Mount Weldment, Board Return Table (LT30)	038992	1
4	Bolt, 5/16-18 x 1" Carriage Head	F05006-9	8
5	Washer, 5/16" SAE Flat	F05011-17	8
6	Nut, 5/16-18 Nylon Lock	F05010-58	8
7	Bolt, 3/8-16 x 4" x 5" 'U'	003207	2
8	Washer, 3/8" SAE Flat	F05011-3	10
9	Nut, 3/8-16 Hex Nylon Lock	F05010-10	7
10	Bolt, 3/8-16 x 1 1/4" Hex Head Grade 5	F05007-123	3
11	Decal, Board Return Table Warning	016077	1
12	Decal, Board Return Danger	015365	1

8.13 Board Return Table Assembly (Optional)

LT30HD
LT40HD

Rev. J7.01 - K1.00
Rev. J8.01 - K2.00

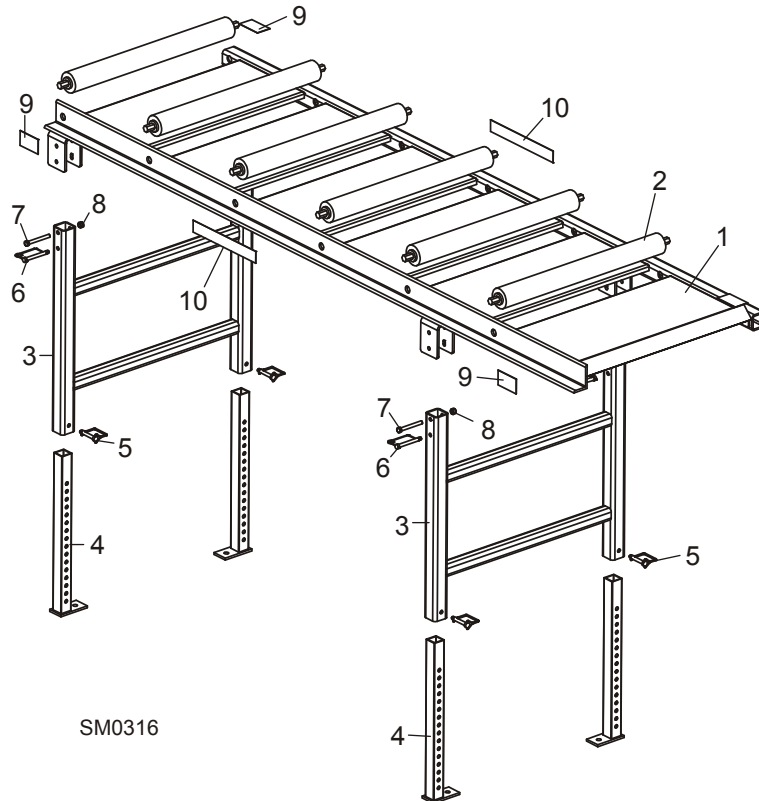


REF	DESCRIPTION (◆ Indicates Parts Available In Assemblies Only)	PART #	QTY.	
	TABLE ASSEMBLY, BOARD RETURN	015792	1	
1	Table Weldment, Board Return	015790	1	◆
2	Bolt, 5/16-18 x 1" Carriage Head	F05006-9	6	
3	Washer, 5/16" SAE Flat	F05011-17	6	
4	Nut, 5/16-18 Nylon Lock	F05010-58	6	
5	Decal, Board Return Danger	015365	1	
6	Decal, Board Return Table Warning	016077	1	
7	Plate, Return Table Stainless Steel	015791	1	

8**Bed Frame Assembly***Board Return Table Assembly (Optional)*

8	Leg Weldment, Painted Outrigger	W07537	1	
9	Cap, Outrigger Leg	P09926	1	
10	Washer, 3/4" SAE Flat	F05011-62	2	
11	Spring, Outrigger Pin	016145	1	
12	Pin, 1/8" X 1 1/4" Cotter	F05012-59	1	
	Pin Kit, 3/4" Outrigger Pull	016148	1	
13	Pin, 5/16" X 2 1/2" Roll	F05012-47	1	
14	Pin, 3/4" Outrigger Pull	016147	1	◆
15	Pin, 3/8 X 2 1/4" Square Wire Lock	014151	2	

8.14 Board Outfeed Table (Optional)



REF	DESCRIPTION (◆ Indicates Parts Available In Assemblies Only)	PART #	QTY.
	TABLE ASSEMBLY, BOARD OUTFEED	016652	1
1	Table Weldment, Board Outfeed	016606	1
2	Roller, 2 1/2" x 25"	038167	6
3	Mount Weldment, Outfeed Table Leg	016609	2
4	Leg Weldment, Outfeed Table	016651	4
5	Pin, 3/8" x 2 1/4" Square Wire Lock	014151	4
6	Pin, Snap - Coil Tension	016677	4
7	Bolt, 3/8-16 x 3 1/4" Hex Head	F05007-135	4
8	Nut, 3/8-16 Hex Nylon Lock	F05010-10	4
9	Decal, Hand Pinch Point Warning	S12641	4
10	Decal, 1 1/2" Wood-Mizer Logo	016991	2

SECTION 9 MISCELLANEOUS

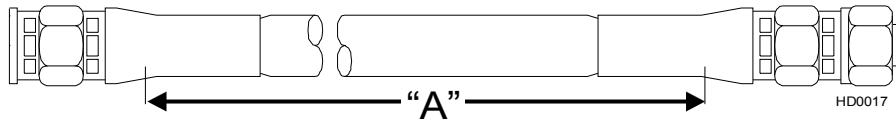
9.1 Replacement Manuals

REF	DESCRIPTION (◆ Indicates Parts Available In Assemblies Only)	PART #	QTY.
Wood-Mizer Product Information			
1	ALL-PRODUCTS CATALOG	PS750	1
Basic Sawmill Manuals			
2	TRU-SHARP BLADE HANDBOOK	M600	1
3	WOOD-MIZER GENERAL INFORMATION	M601	1
4	LT30HD/LT40HD OPERATOR'S MANUAL	M1184	1
5	LT30HD/40HD PARTS MANUAL	M1171	1
Power Option Manuals			
6	G25 ENGINE OPTION MANUAL	M825	1
7	G28 ENGINE OPTION MANUAL	M1159	1
8	KOHLER CH25 OWNER'S MANUAL	015993	1
9	KOHLER CH25 SERVICE MANUAL	015994	1
10	D33 ENGINE OPTION MANUAL	M915	1
11	D34 ENGINE OPTION MANUAL	M1215	1
12	D35 ENGINE OPTION MANUAL	M1573	1
13	D36 ENGINE OPTION MANUAL	M1598	1
14	G38 ENGINE OPTION MANUAL	M1305	1
15	KUBOTA OPERATOR'S MANUAL	028555	1
16	KUBOTA SERVICE MANUAL	028566	1
17	KUBOTA PARTS MANUAL (1505B)	028564	1
18	G36 ENGINE OPTION MANUAL	M974	1
19	NISSAN ENGINE SERVICE MANUAL		1
20	NISSAN ENGINE PARTS MANUAL		1
Trailer Option Manuals			
21	ELECTRIC BRAKE TRAILER OPTION	M796	1
22	SURGE BRAKE TRAILER OPTION	M794	1
23	SUPER ELECTRIC BRAKE TRAILER OPTION	M797	1
24	SUPER SURGE BRAKE TRAILER OPTION	M795	1
Miscellaneous Option Manuals			
25	SHINGLE/LAPSIDER OPTION MANUAL	M621	1
26	OPERATOR'S SEAT OPTION MANUAL	M613	1
27	RESAW ATTACHMENT OPTION MANUAL	M263	1
28	BED EXTENSION OPTION MANUAL	M294	1
29	MKII DEBARKER ATTACHMENT OPTION MANUAL	M546	1
30	ACCUSET 2 OPTION MANUAL	M1517	1
31	ACCUSET OPTION MANUAL	M987	1
32	SIMPLE SET OPTION MANUAL	M1611	1
33	LASER SIGHT OPTION MANUAL	M679	1
34	AUTOCLUTCH OPTION MANUAL	M883	1

35	LUBE-MIZER OPTION MANUAL	M885	1
36	LATHE-MIZER OPTION MANUAL	M1337	1
Electrical Diagrams			
37	G25 ELECTRICAL INFORMATION	M865	1
38	G28 ELECTRICAL INFORMATION	M1154	1
39	G36 ELECTRICAL INFORMATION	M977	1
40	G38 ELECTRICAL INFORMATION	M1607	1
41	D33 ELECTRICAL INFORMATION	M918	1
42	D34 ELECTRICAL INFORMATION	M1216	1
43	D35 ELECTRICAL INFORMATION	M1574	1
44	D36 ELECTRICAL INFORMATION	M1595	1

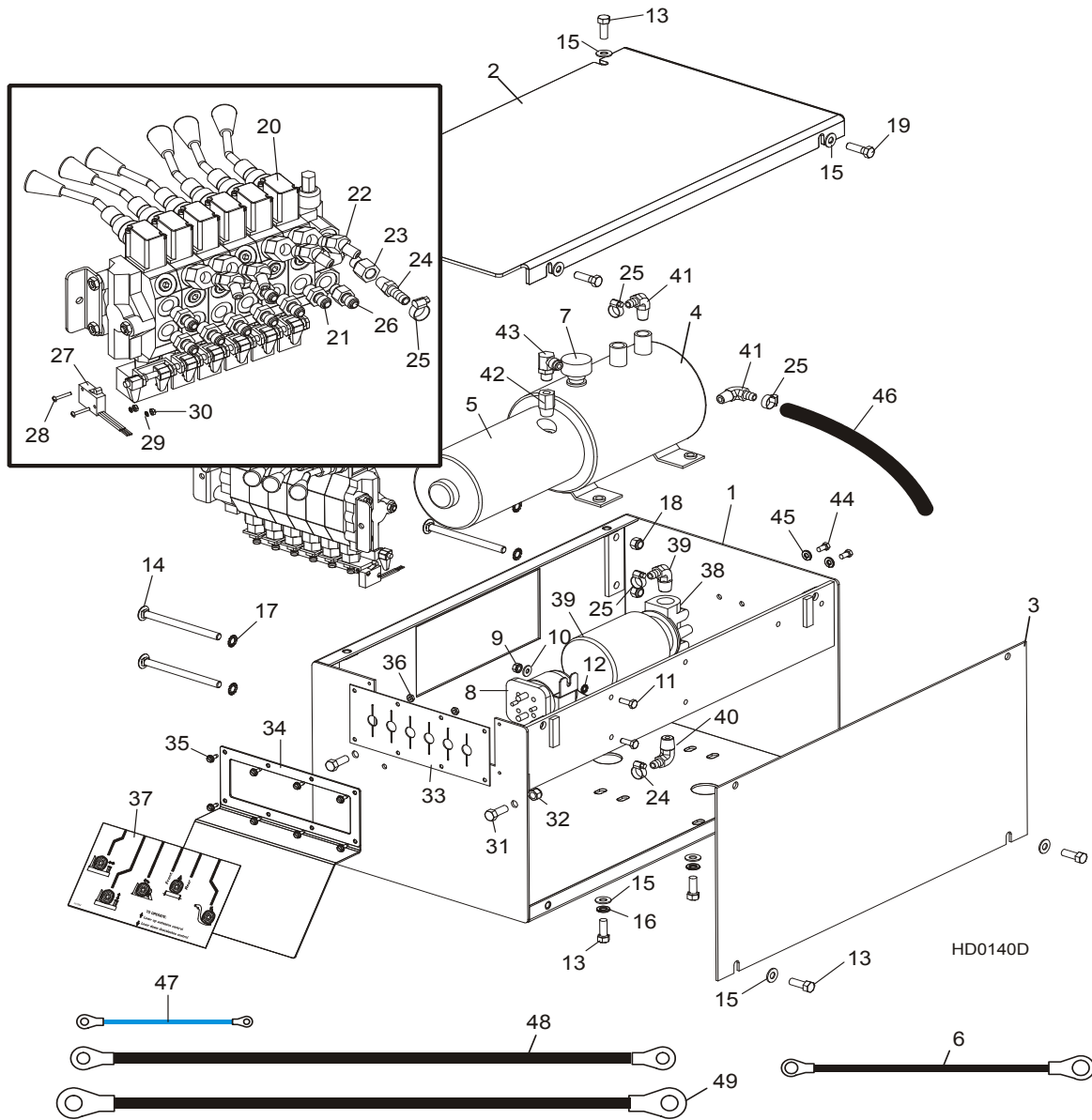
SECTION 10 HYDRAULIC SYSTEM

10.1 Hydraulic Hoses



REF	COLOR	LENGTH "A"		DESCRIPTION	PART #	QTY.
		MFG SPEC	ACTUAL PART			
H1	None	9"	9"	1/4" HYDRAULIC PUMP TO VALVE	014437	1
H2	Plain	27"	27"	LOG TURNER BASE	P12535	1
H3	Orange	18"	18"	LOG TURNER TOP	015704	1
H4	Yellow	95"	95"	FRONT TOE BOARD TOP (LT30HD)	P12540	1
		117"	117"	FRONT TOE BOARD TOP (LT40HD)	P12542	1
H5	Gray	95"	95"	FRONT TOE BOARD BASE (LT30HD)	P12540	1
		117"	117"	FRONT TOE BOARD BASE (LT40HD)	P12542	1
H6	Pink	159"	159"	SIDE SUPPORT BASE (LT30HD)	P12547	1
		181"	181"	SIDE SUPPORT BASE (LT40HD)	014788	1
H7	Plain	159"	159"	SIDE SUPPORT TOP (LT30HD)	P12547	1
		181"	181"	SIDE SUPPORT TOP (LT40HD)	014788	1
H8	White	133"	135"	CLAMP IN/OUT TOP (LT30HD)	P12543	1
		155"	157"	CLAMP IN/OUT TOP (LT40HD)	P12546	1
H9	Dark Orange	125"	125"	CLAMP IN/OUT BASE (LT30HD)	014784	1
		147"	151"	CLAMP IN/OUT BASE (LT40HD)	P12545	1
H10	Purple	197"	196"	REAR TOE BOARD TOP (LT30HD)	014791	1
		219"	219"	REAR TOE BOARD TOP (LT40HD)	018026	1
H11	Black	197"	196"	REAR TOE BOARD BASE (LT30HD)	014791	1
		219"	219"	REAR TOE BOARD BASE (LT40HD)	018026	1
H12	Green	62"	62"	LOADING ARM BRANCH TOP	018020	2
H13	Yellow	64"	64"	LOADING ARM BRANCH BASE	018021	2
H14	Blue	164"	164"	LOADING ARM TOP (LT30HD)	P12548	1
		186"	186"	LOADING ARM TOP (LT40HD)	P12550	1
H15	Red	164"	164"	LOADING ARM BOTTOM (LT30HD)	P12548	1
		186"	186"	LOADING ARM BOTTOM (LT40HD)	P12550	1
H16	Green	182"	181"	1/4" CLAMP UP/DOWN TOP (LT30HD)	014788	1
		204"	204"	1/4" CLAMP UP/DOWN TOP (LT40HD)	014792	1
H17	Yellow	171"	173"	1/4" CLAMP UP/DOWN BASE (LT30HD)	P12549	1
		193"	194"	1/4" CLAMP UP/DOWN BASE (LT40HD)	015692	1
				GROMMET, 2 1/2" DIAMETER RUBBER	085614	2
				GROMMET, 1 X 1 3/4" OVAL RUBBER	085613	2

10.2 Hydraulic Control Box



REF	DESCRIPTION (◆ Indicates Parts Available In Assemblies Only)	PART #	QTY.	
1	BOX WELDMENT, SUPER HYDRAULIC PUMP HOUSING	015027	1	
2	COVER, SUPER HYDRAULIC PUMP HOUSING TOP	015228	1	
3	COVER, SUPER HYDRAULIC PUMP HOUSING SIDE	015227	1	
4	PUMP KIT, HYDRAULIC W/MOTOR	061764 ¹	1	
	Pump, Hydraulic Replacement Monarch Model #12070	016199	1	
	Motor Kit, Hydraulic Replacement	052807	1	
5	Motor, 12 VDC Hydraulic Pump #08714 (Iskra)	038683 ²	1	◆

	Brush Kit, 4-Valve Hydraulic Pump Motor #08658-I (Iskra)	038682 ²	1	
	Brush Kit, 4-Valve Hydraulic Pump Motor #08658 (Bosch)	P09585 ²	1	◆
	Bearing, Base Motor #02318	P12513	1	
6	Wire Assembly, Motor Brush Ground	052806 ³	1	
7	Cap, Hydraulic Pump Vented Fill #03171	P12817	1	
	O-Ring, Hydraulic Pump/Reservoir #02352	P10198	1	
	Seal, Hydraulic Pump/Motor #02330	P10315	1	
8	SOLENOID KIT, 200A 12V SPST HYDRAULIC PUMP MOTOR	016371 ⁴	1	
	Solenoid, 200A 12V SPST Cont. Duty	015470	1	◆
	Diode Assembly, Solenoid Coil Chassis Gnd	015426	1	
9	NUT, 1/4-20 SELF-LOCKING HEX	F05010-9	2	
10	WASHER, 1/4" SAE FLAT	F05011-11	2	
11	BOLT, #1/4-20 X 3/4" HEX HEAD FULL THREAD	F05005-1	2	
12	WASHER, 1/4" EXTERIOR STAR LOCK	F05011-37	2	
	FLUID, 1-QUART DEXRON III HYDRAULIC	P12742	2 1/4 gal.	
	FLUID, 1-GALLON CONOCO MV32	006397 ⁵	2 1/4 gal.	
	FLUID, 1-GALLON EXXON UNIVIS HVI 13 HYDRAULIC	P12822	2 1/4 gal.	
13	BOLT, 3/8-16 X 1" HEX HEAD GRADE 5	F05007-87	8	
14	BOLT, 3/8-16 X 5" CARRIAGE HEAD	F05007-113	4	
15	WASHER, 3/8" SAE FLAT	F05011-3	10	
16	WASHER, 3/8" SPLIT LOCK	F05011-4	4	
17	WASHER, 3/8" EXTERNAL STAR LOCK	F05011-36	4	
18	NUT, 3/8-16 HEX NYLON LOCK	F05010-10	4	
19	BOLT, 3/8-16 X 1 1/4" HEX HEAD	F05007-2	2	
20	VALVE, HYDRAULIC 6 SECTION (See Form 575 For Valve Service Parts)	015260	1	
21	FITTING, 3/8" O-RING - 1/4" JIC	P26284	8	
22	FITTING, #6 SAE - 1/4" JIC 45° ELBOW	015488	4	
23	FITTING, #6 SAE MALE - 1/4" NPT FEMALE	014686	1	
24	FITTING, 1/4" NPT X 3/8" HOSE BARB	014685	1	
25	CLAMP, 11/16" HOSE	P12739	5	
26	FITTING, 3/8" O-RING - 1/4" JIC	P26284	1	
27	SWITCH, HYDRAULIC VALVE ELECTRIC	024198	1	
28	SCREW, #4-40 X 3/4" SLOTTED	F05004-13	2	
29	WASHER, #4 SPLIT LOCK	F05011-21	2	
30	NUT, #4-40 HEX	F05010-43	2	
31	BOLT, 3/8-16 X 1" HEX HEAD	F05007-7	2	
32	NUT, 3/8-16 HEX NYLON LOCK	F05010-10	2	
33	SEAL, RUBBER VALVE HANDLE	015079	1	
34	PLATE, VALVE HANDLE DECAL	015078	1	
35	SCREW, #10-24 X 1/2 SLOTTED HEX SELF-TAPPING	F05015-7	8	
36	NUT, #10-24 SELF-LOCKING HEX	F05010-14	2	
37	DECAL, 1997 HYDRAULIC CONTROL BOX	015364	1	

10

Hydraulic System Hydraulic Control Box

38	MANIFOLD, HYDRAULIC CARTRIDGE FILTER	P22683	1	
39	Filter, S28 Hydraulic Cartridge	P20301	1	
40	FITTING, #6-8 (1/2" NPT) - 3/8" HOSE BARB ELBOW	P12707	2	
41	FITTING, #6-6 (3/8" NPT) - 3/8" HOSE BARB ELBOW	P12708	2	
42	FITTING, 3/8" NPT MALE - 1/4" NPT FEMALE	015490	1	
43	FITTING, 1/4" NPT - 1/4" JIC ELBOW	P09142	1	
44	BOLT, 1/4-20 X 1/2" HEX HEAD	F05005-15	2	
45	WASHER, 1/4" SPLIT LOCK	F05011-14	2	
46	HOSE, 3/8" LOW PRESSURE HYDRAULIC	R01892-1	A/R	
47	WIRE ASSEMBLY, 14 GA X 4" #10 & 5/16" RINGS	036315	1	
48	CABLE ASSEMBLY, 1 GA X 16" HYDRAULIC PUMP TO SOLENOID	036310	1	
49	CABLE ASSEMBLY, 1 GA X 16" HYDRAULIC PUMP GROUND	036312	1	
	WASHER, 3/8" STAR EXTERNAL	F05011-36	2	

¹ Pump Kit 061764 replaces Pump P12701 1/09. Kit includes P12701 plus Brush Ground Wire Kit 052805 to insure adequate ground connection.

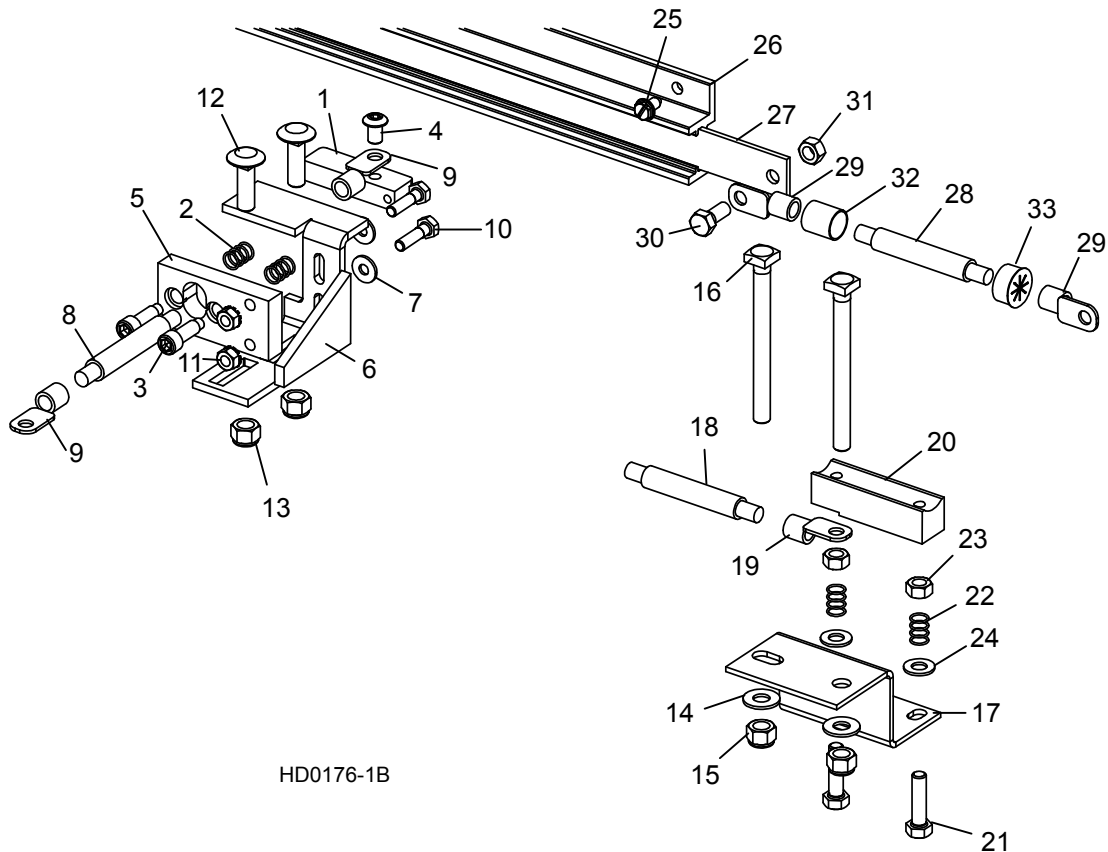
² Bosch motor P09955 replaced by vendor with Iskra motor 1/06. Brush kit P09585 no longer available to service Bosch motor. Replace motor using kit 052807. Use Brush Kit 038682 to service Iskra motor.

³ Brush Ground Wire 052806 added LT30HD Rev. J9.02 and LT40HD Rev. K1.04 to improve ground connection. Kit 052805 to be supplied to all customers who purchased sawmills with Iskra pump motors after 1/06. Kit includes wire, hardware and instructions.

⁴ Diode Assembly 015426 added to prevent damage to hydraulic microswitch (LT30HD Rev. J7.03 and LT40HD Rev. J8.03).

⁵ Conoco MV32 Fluid 006397 replaces Univis HVI 26 Fluid P12823 used prior to 1/08. Fluids are interchangeable.

10.3 Hydraulic Power Supply Strip



REF	DESCRIPTION (◆ Indicates Parts Available In Assemblies Only)	PART #	QTY.	
	CONTACT ASSEMBLY, HYDRAULIC POWER SUPPLY (POSITIVE)	010103	1	
	Contact Kit, 97+ Hydraulic Power Supply Positive	007716	1	
1	Contact, Hydraulic Power Supply (Positive)	015253	1	
2	Spring, Positive Contact	P10077	2	
3	Bolt, 5/16" X 3/4" Shoulder (1/4-20 Thread) Stainless	F05006-143 ¹	2	
4	Bolt, 5/16-18 x 1/2" Socket Button Head	F05006-20	1	
5	Insulator, Positive Contact	S10072	1	
6	Bracket, Positive Contact Mounting	015324	1	
7	Washer, 1/4" SAE Flat	F05011-11	2	
8	Cable, #1 Weld	R01971 ²	1.17 Ft	◆
9	Terminal, 5/16" Ring #2 Gauge	F05092-16 ²	2	
10	Bolt, 1/4-20 X 1" Hex Head Grade 2	F05005-38	2	
11	Nut, 1/4-20 Hex Self-Locking	F05010-9	2	
12	Bolt, 3/8-16 X 1 1/4" Carriage Head	F05007-11	2	
13	Nut, 3/8-16 Hex Nylon Lock	F05010-10	2	

10

Hydraulic System

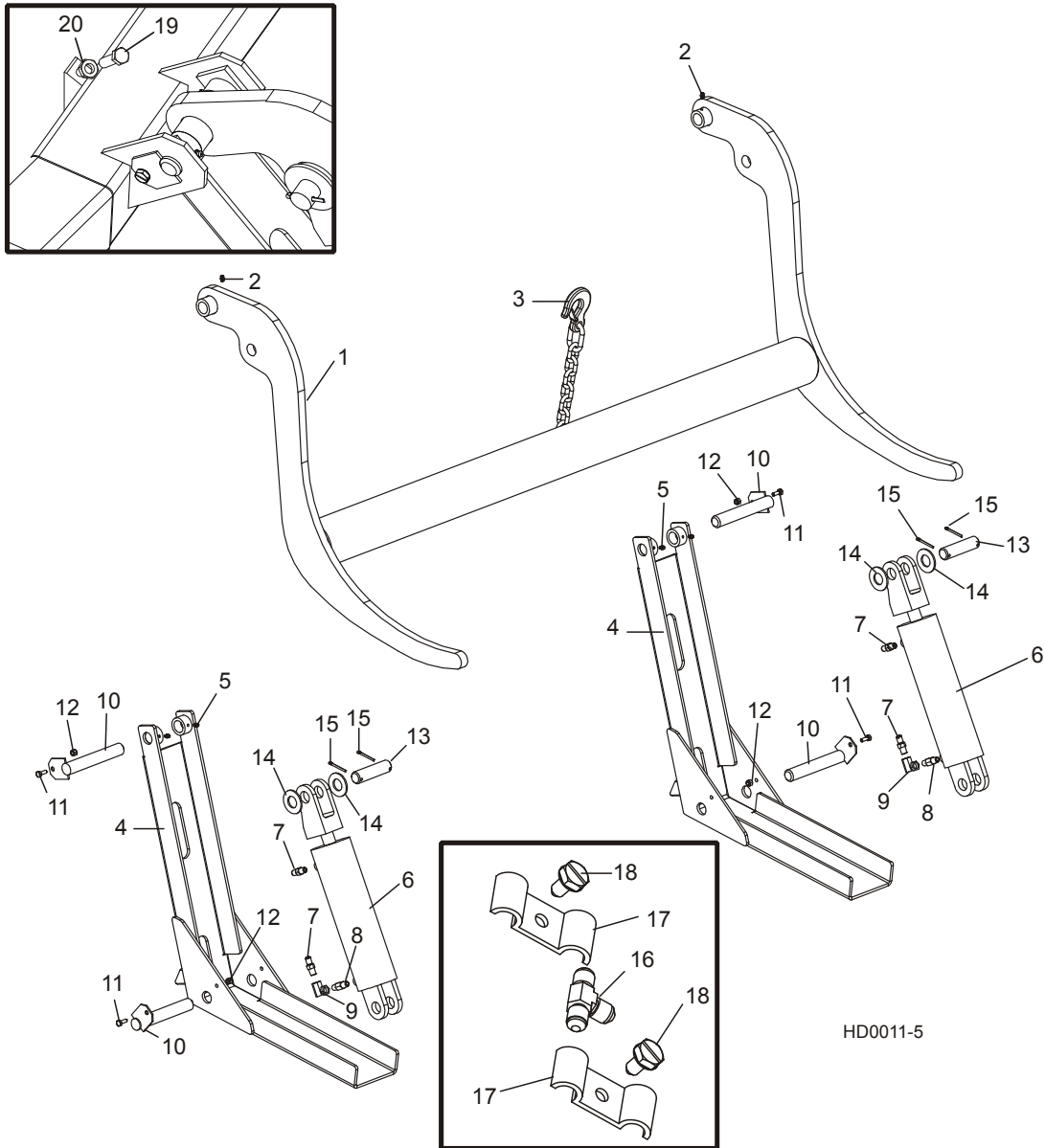
Hydraulic Power Supply Strip

	CONTACT KIT, HYDRAULIC POWER SUPPLY (GROUND)	010104	1	
14	Washer, 3/8" SAE Flat	F05011-3	2	
15	Nut, 3/8-16 Hex Nylon Lock	F05010-10	2	
16	Bolt, 3/8-16 X 4" Square Head	F05007-175	2	
17	Bracket, Ground Contact Mounting	016792	1	
18	Cable Assy, Hydraulic Negative Contact (Ground) #1 Weld	036306	1	
	Cable, #1 Weld	R01971	2.2 Ft	◆
19	Terminal, 5/16" Ring #2 Gauge	F05092-16	2	
	Contact Kit, Hydraulic Power Supply Ground	007717	1	
20	Contact, Hydraulic Power Supply (Ground)	015264	1	
21	Bolt, 5/16-18 X 1 1/4" Hex Head Full Thread Grade 5	F05006-93	2	
22	Spring, Ground Contact	P10077	2	
23	Nut, 5/16-18 Hex	F05010-17	2	
24	Washer, 5/16" SAE Flat	F05011-17	2	
	STRIP ASSEMBLY, 6' HYDRAULIC POWER SUPPLY W/3 FT. CABLE	A11977	1	
25	Screw, 1/4-20 X 1/2" Slotted Hex Head	F05015-1	8	
26	Housing, 6' Contact Strip	P11976	1	
	Strip, 6' Contact With Cable	A12043-N	1	
27	Strip, 6' Contact	S10075	1	◆
28	Cable Assembly, Hydraulic Contact Strip	052161	1	
	Cable, #1 Weld	R01971	3 Ft	◆
29	Terminal, 5/16" Ring #2 Gauge	F05092-16	2	
30	Bolt, 5/16-18 X 3/4" Hex Head Black Nylon	F05006-45	1	
31	Nut, 5/16-18 Hex Black Nylon	F05010-86	1	
32	Tube, 5/8" Heat Shrink	R01950-5	.10 Ft	◆
33	Grommet, 5/8" Wire	P04137	1	

¹ Stainless Steel Bolt F05006-143 replaces F05006-44 to prevent corrosion (LT30HD Rev. K3.03 & LT40HD Rev. K5.03).

² [See Section 5.9](#) for pre-assembled cable service assemblies.

10.4 Hydraulic Log Loader



REF	DESCRIPTION (◆ Indicates Parts Available In Assemblies Only)	PART #	QTY.
	LOADER KIT, HYDRAULIC LOG (LT30HD)	LTHDLA-30H	1
	LOADER KIT, HYDRAULIC LOG (LT40HD)	LTHDLA	1
1	Arm, Hydraulic Log Loading	036416 ¹	1
2	Fitting, 3/16" Grease	P04107	2
3	Chain, Hydraulic Log Loader Safety	A04376	1
4	Channel, Hydraulic Log Loading Foot	W09444	2

10

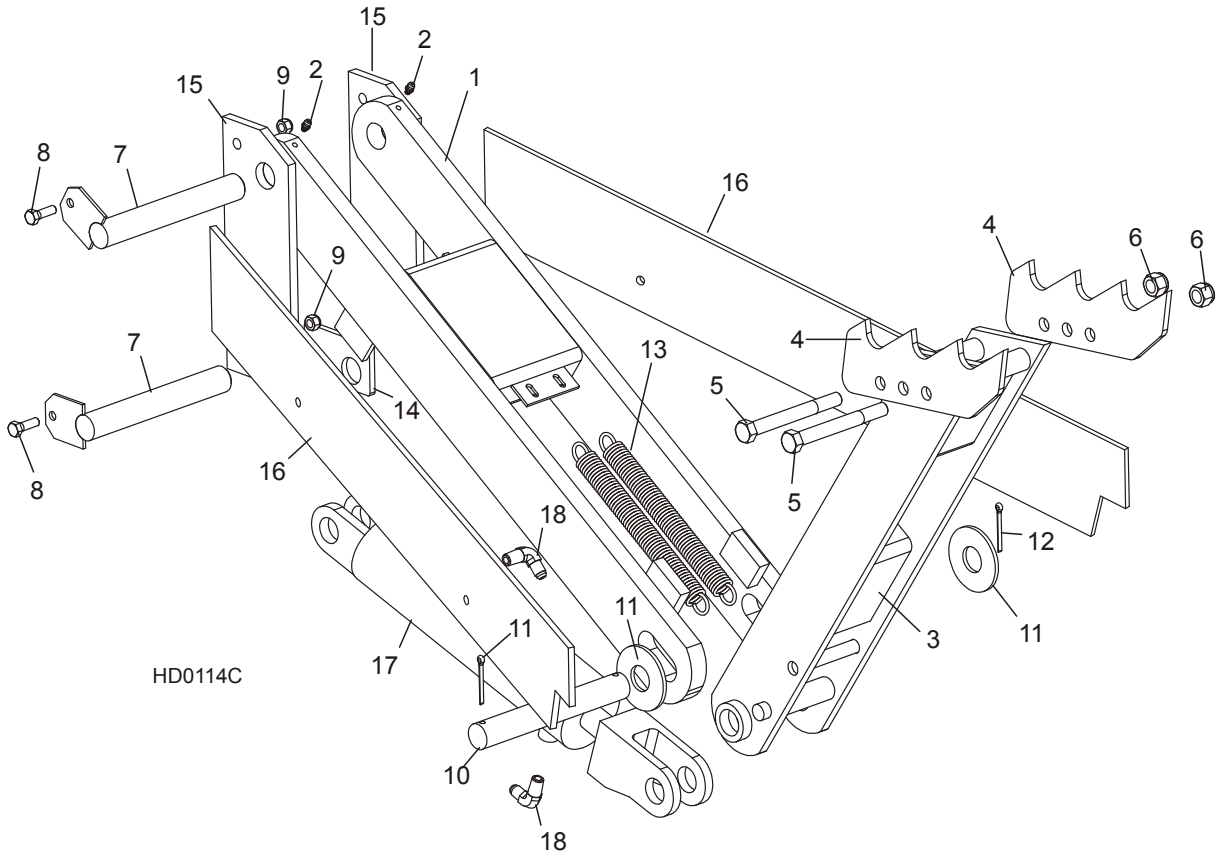
Hydraulic System Hydraulic Log Loader

5	Fitting, 3/16" Grease	P04107	4	
	Cylinder Assembly, Hydraulic Log Loading Arm	A09284	2	◆
6	Cylinder, 8" X 3" Hydraulic	P12847	1	
	Seal Kit, 8" x 3" Hydraulic Cylinder	P12956	1	
7	Fitting, C5205x4x4 Male Connector	P09143	2	
8	Fitting, 0455x4x4 90° Swivel Elbow	P12199	1	
	Fitting Kit, 1/4NPT 5.0GPM Velocity Fuse	015832	1	
9	Fitting, 1/4NPT 5.0GPM Velocity Fuse	015750	2	◆
	Instruction Sheet, Velocity Fuse Replacement	015832-255	1	
10	Pin, Loading Arm Mount	W09446	4	
11	Bolt, 1/4-20 x 3/4" Hex Head Full Thread	F05005-1	4	
12	Nut, 1/4-20 Hex Lock	F05010-69	4	
13	Pin, Loading Arm Cylinder Mount	S09251	2	
14	Washer, 1" SAE Flat	F05011-28	4	
15	Pin, 3/16" X 1 1/2" Cotter	F05012-23	4	
16	Fitting, C5705x5x4 Union 'T'	P09145	2	
17	Clamp, 1/4" Hydraulic Hose	S09245	6	
18	Bolt, 5/16-18 X 3/4" Hex Head Grade 5	F05006-102 ²	6	
19	BOLT, 1/2-13 X 2" HEX HEAD FULL THREAD GRADE 5	F05008-116	2	
20	NUT, 1/2-13 JAM	F05010-31	2	

¹ Loading Arm Weldment 036416 replaces W11805 originally supplied prior to LT30HD Rev. J7.02 and LT40HD Rev. J8.02. Redesign arm provided easier loading of logs onto arm.

² Grade 5 Hex Head Bolt F05006-102 replaces self-tapping bolt F05006-30 to eliminate shearing of bolts head (4/08).

10.5 Hydraulic Log Turner

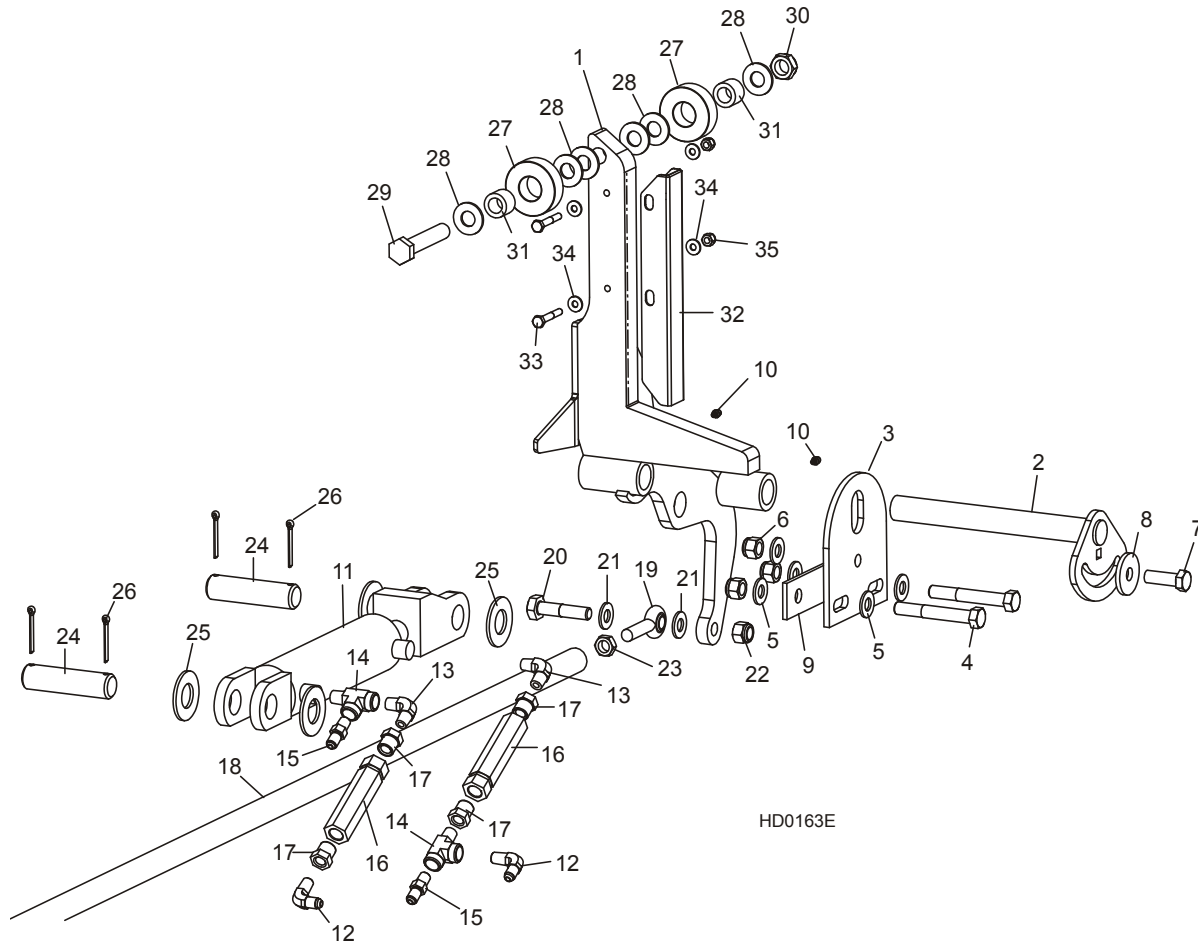


REF	DESCRIPTION (◆ Indicates Parts Available In Assemblies Only)	PART #	QTY.
1	ARM, HYDRAULIC LOG TURNER LINK	015231	1
2	Fitting, 3/16" Grease	P04107	2
3	ARM, HYDRAULIC LOG TURNER PAINTED	015233	1
4	CLAW, HYDRAULIC LOG TURNER	014675	2
5	BOLT, 1/2-13 X 5" HEX HEAD GRADE 5	F05008-66	2
6	NUT, 1/2-13 HEX LOCK	F05010-3	2
7	PIN, LOG TURNER MOUNT	015085	2
8	BOLT, 5/16-18 X 1" HEX HEAD GRADE 2	F05006-1	2
9	NUT, 5/16-18 HEX LOCK	F05010-6	2
10	PIN, LOG TURNER PIVOT	S09246	1
11	WASHER, 1" SAE FLAT	F05011-28	2
12	PIN, 3/16" X 1 1/2" COTTER	F05012-23	2
13	SPRING, HYDRAULIC LOG TURNER	015718	2
14	PLATE, LOG TURNER CYLINDER MOUNT	S09155	1
15	PLATE, LOG TURNER MOUNT	S09109	2
16	PLATE, LOG TURNER BRACE	S09605	2

10**Hydraulic System***Hydraulic Log Turner*

	CYLINDER ASSEMBLY, HYDRAULIC LOG TURNER	A09286	1	
17	Cylinder, 8" X 2 1/2" Hydraulic	P12846	1	◆
	Seal Kit, 8" x 2 1/2" Hydraulic Cylinder	P12955	1	
18	Fitting, 90° Male Elbow	P09142	2	
	WASHER, 1/2" SAE FLAT	F05011-2	4	

10.6 Hydraulic Log Side Supports (Front/Rear)



REF	DESCRIPTION (◆ Indicates Parts Available In Assemblies Only)	PART #	QTY.
1	SUPPORT, HYDRAULIC LOG SIDE	W12339	2
	MOUNTING KIT, HYDRAULIC LOG SIDE SUPPORT	016559	2
2	Pin, Log Side Support Pivot	016544	1
3	Plate, Log Side Support End	016555	1
4	Bolt, 1/2-13 X 3 1/2" Hex Head Grade 5	F05008-61	2
5	Washer, 1/2" SAE Flat	F05011-2	5
6	Nut, 1/2-13 Hex Nylon Lock	F05010-8	3
7	Bolt, 1/2-13 X 1 1/2" Hex Head Grade 5	F05008-33	1
8	Washer, .52" x 1.69"	014632 ¹	1
9	Plate, Side Support Washer Clamp	016558	1
10	FITTING, 3/16" GREASE	P04107	4
	CYLINDER ASSEMBLY, HYDRAULIC LOG SIDE SUPPORT	A09283	1
11	Cylinder, 6" X 2" Hydraulic	P12845	1
	Seal Kit, 6" x 2" Hydraulic Cylinder	P12954	1

10 Hydraulic System

Hydraulic Log Side Supports (Front/Rear)

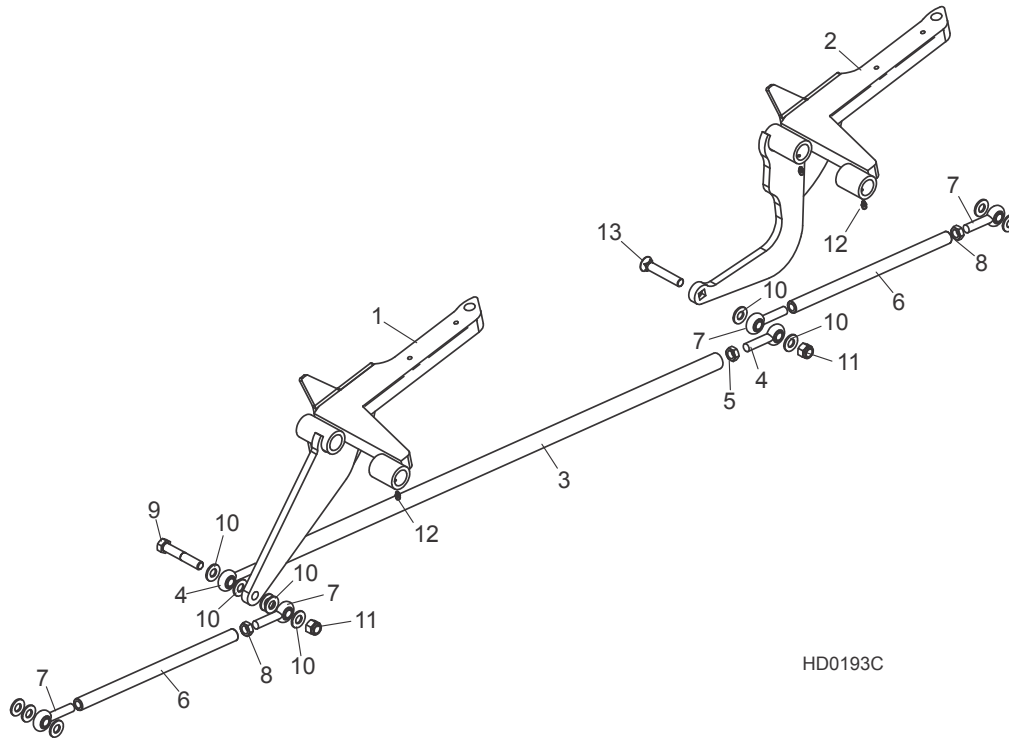
12	Fitting, 90° Male Elbow	P09142	2	
13	Fitting, C3529x4 90° Pipe	P09140	2	
14	Fitting, C3759x4 Male 'T'	P09141	2	
15	Fitting, C5205x4x4 Male Connector	P09143	2	
16	Valve, Hydraulic Sequence	015484	2	
17	Fitting, 3/8" NPT - 1/4" NPT Reducer	015490	4	
18	ROD, HYDRAULIC SIDE SUPPORT LINK (See Section 10.7 if equipped with HSS Option)	015026	1	
19	END, 1/2" ROD	P09137	2	
20	BOLT, 1/2-13 X 2 1/4" HEX HEAD GRADE 5	F05008-10	2	
21	WASHER, 1/2" SAE FLAT	F05011-2	4	
22	NUT, 1/2-13 HEX NYLON LOCK	F05010-8	2	
23	NUT, 1/2-20 HEX JAM	F05010-16	1	
24	PIN, CYLINDER MOUNT	S09251	2	
25	WASHER, 1" SAE FLAT	F05011-28	4	
26	PIN, 3/16" X 1 1/2" COTTER	F05012-23	4	
	ROLLER KIT, SIDE SUPPORT	016562	2	
27	Roller, Side Support	016561	2	
28	Washer, 5/8" SAE Flat	F05011-5 ²	6	
29	Bolt, 5/8-11 x 3 3/4" Hex Head Grade 5	F05009-118 ³	1	
30	Nut, 5/8-11 Hex Nylon Lock Jam	F05010-96	1	
31	Bushing, Bronze 5/8" x 1" x 3/4"	016560	2	
	Bolt, 1/2-13 x 3 1/2" Carriage Head	F05008-94	1	
	Instruction Sheet, Side Support Roller	016562-526	1	
	GUARD KIT, STAINLESS STEEL SIDE SUPPORT (OPTIONAL)	016798	1	
32	Guard, Stainless Steel Side Support	016722	4	
33	Bolt, 1/4-20 x 1 3/4" Hex Head	F05005-4	8	
34	Washer, 1/4" SAE Flat	F05011-11	16	
	Washer, 5/8" SAE Flat	F05011-5 ²	4	
35	Nut, 1/4-20 Hex Nylon Lock	F05010-69	8	
	Instruction Sheet, Stainless Steel Side Support Guard Retro	016798-1005	1	

¹ Oversized Washer 014632 replaces 1/2" SAE Flat Washer F05011-2 to provide larger clamping area during adjustment (LT30HD Rev. K3.03 & LT40HD Rev. K5.03).

² Additional 5/8" SAE Flat Washer F05011-5 may be required on each side of side support to provide clearance for optional stainless steel side support guards. Extra washers are included in the stainless steel guard retrofit kit (016798).

³ Longer bolt replaces 3 1/2" F05009-93 used before 3/07.

10.7 Hydraulic Log Side Supports (Middle - Optional)

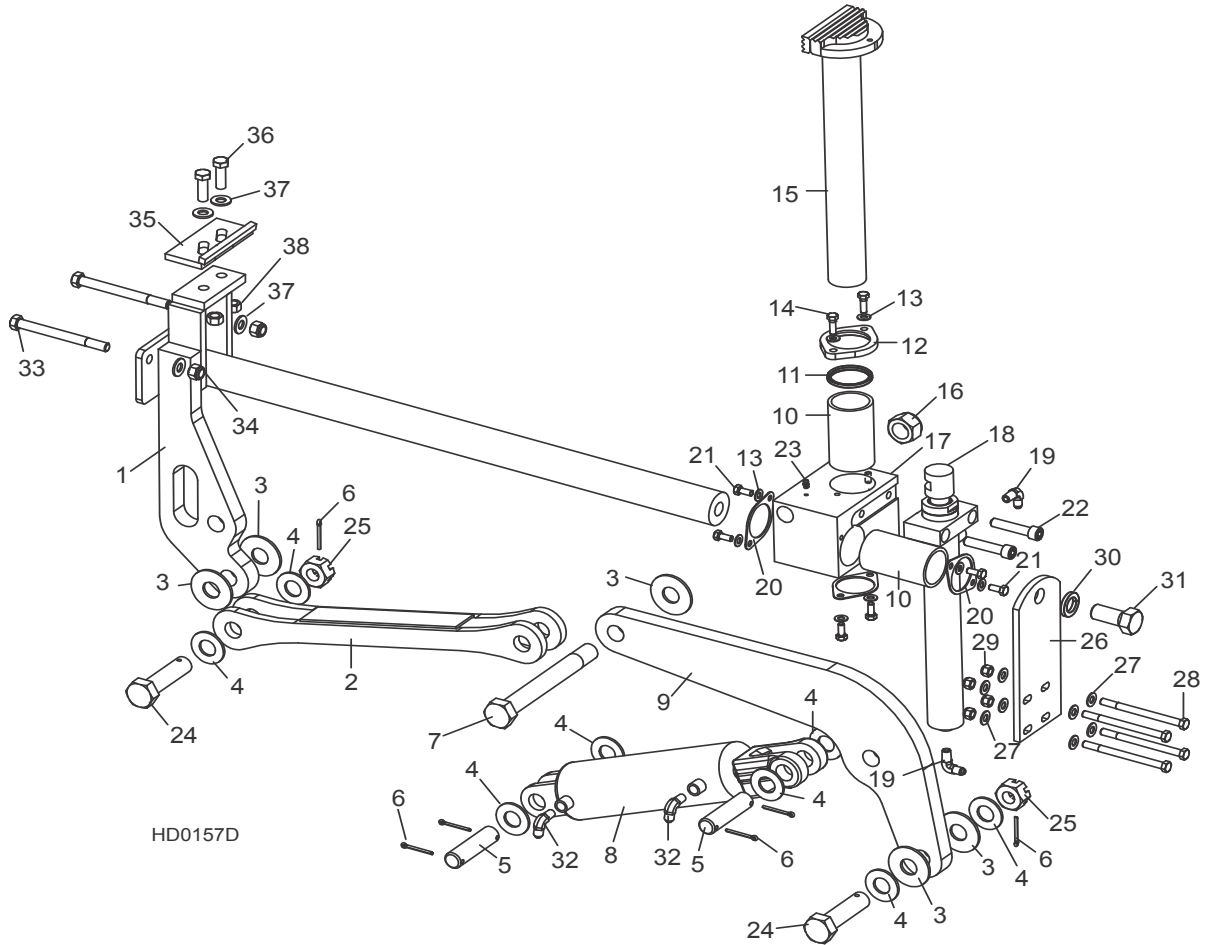


REF	DESCRIPTION (◆ Indicates Parts Available In Assemblies Only)	PART #	QTY.
	SUPPORT ASSEMBLY, HYDRAULIC 4-LINK SIDE	HSS-A ¹	1
1	Support Weldment, Front Log Side	048436	1
2	Support Weldment, Rear Log Side	048438 ²	1
3	Rod, 4-Link Side Support	048537	1
4	Rod End, 1/2 Male	P09137	2
5	Nut, 1/2-20 Hex Jam	F05010-16	1
	Rod Assembly, 4-Link Side Support Short	048247	2
6	Rod, 4-Link Connecting	048246	1
7	Rod End, 1/2 Male	P09137	2
8	Nut, 1/2-20 Hex Jam	F05010-16	1
9	Bolt, 1/2-13 x 3" Hex Head Grade 5	F05008-23	1
10	Washer, 1/2" SAE Flat	F05011-2	6
11	Nut, 1/2-13 Nylon Hex Lock	F05010-8	2
12	Fitting, 3/16 x 3/16 Straight Grease	P04107	4
13	Bolt, 1/2-13 x 3" Flat Head Plow Grade 5	F05008-158 ²	1

¹ HSS 4-Link Side Supports option available 2/05. HSS-A may be used to retrofit previous revisions to make all four sides supports hydraulically operated.

² Flat Head Bolt F05008-158 replaces welded stud on Rear Side Support 048438 to improve durability (9/05).

10.8 Hydraulic Log Clamp



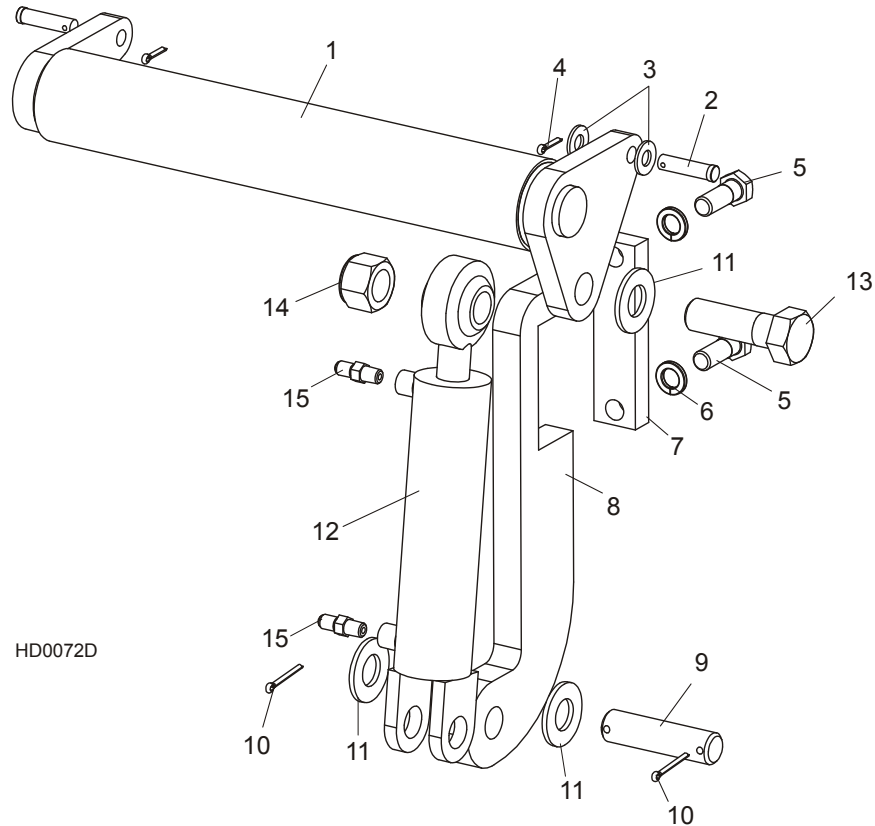
HD0157D

REF	DESCRIPTION (◆ Indicates Parts Available In Assemblies Only)	PART #	QTY.
	CLAMP ASSEMBLY, HYDRAULIC 2-PLANE	017264	1
1	Mount Weldment, Hydraulic Clamp Slide	017265	1
2	Link Weldment, Hydraulic Clamp	017267	1
3	Washer, 1/8" x 2 1/2" Hardened	015057	5
4	Washer, 1" SAE Flat	F05011-28	8
5	Pin, 1" x 3.88"	S09251	2
6	Pin, 3/16" x 1 1/2" Cotter	F05012-23	6
7	Bolt, 1-14 x 8 1/2" Hex Head Grade 8	015049	1
8	Cylinder, 3" x 7" Hydraulic	017275	1
	Seal Kit, Hydraulic Cylinder	P12956	1
9	Arm, Clamp Pivot	017274	1
10	Bushing, Clamp Slide	015088	2
	Wiper Assembly, Vertical Clamp Rod	017271	1
11	Wiper, Vertical Clamp Rod	017273	1

12	Flange, Vertical Clamp Rod Wiper	017272	1	
13	Washer, 5/16" SAE Flat	F05011-17	8	
14	Bolt, 5/16-18 x 1" Hex Head	F05006-1	2	
15	Clamp Weldment, Vertical	015043	1	
16	Nut, 1-14 Hex Jam	F05010-118	2	
17	Block, Hydraulic Clamp Slide	017270	1	
18	Cylinder Weldment, Vertical Clamp Hydraulic	015050	1	
	Seal Kit, Hydraulic Cylinder	016204	1	
	Instruction Sheet, Vertical Clamp Seal Replacement	016204-1009	1	
19	Fitting, 1/4" NPT x 1/4" JIC Elbow	P09142	2	
20	Retainer, Clamp Bushing	017242	3	
21	Bolt, 5/16-18 x 3/4" Hex Head	F05006-5	6	
22	Bolt, 1/2-13 x 2 1/2" Socket Head	F05008-39	2	
23	Fitting, 3/16" Straight Grease	P04107	1	
24	Bolt, 1-14 x 3 3/4" Hex Head Grade 8 w/Hole	015072 ¹	2	
25	Nut, 1-14 Slotted Hex	F05010-163	2	
26	Plate, Log Clamp Mount	015068	1	
27	Washer, 3/8" SAE Flat	F05011-3	8	
28	Bolt, 3/8-16 x 5" Hex Head	F05007-5	4	
29	Nut, 3/8-16 Hex Nylon Lock	F05010-10	4	
30	Washer, 7/8" Split Lock	F05011-46	1	
31	Bolt, 7/8-14 x 2" Hex Head Grade 5	F05014-2	1	
32	Fitting, 1/4" NPT - 3/8" JIC Elbow	015491	2	
33	Bolt, 1/2-13 x 5 1/2" Hex Head Grade 5	F05008-28	2	
34	Nut, 1/2-13 Hex Nylon Lock	F05010-8	2	
	Clamp Stop Kit, Hydraulic Log	K09485	1	
35	Plate, Clamp Stop	W09404	1	
36	Bolt, 1/2-13 X 1 1/2" Hex Head Grade 5	F05008-33	2	
37	Washer, 1/2" SAE Flat	F05011-2	2	
38	Nut, 1/2-13 Hex Lock	F05010-3	2	

¹ Bolt shortened from 4" to 3 3/4" to reduce interference on LT60HD/60HD models. 4" bolts can be used on other models (1/04).

10.9 Hydraulic Toe Board



REF	DESCRIPTION (◆ Indicates Parts Available In Assemblies Only)	PART #	QTY.
1	TOE BOARD WELDMENT, HYDRAULIC	W13025	2
2	PIN, 1/2-1 3/4 CLEVIS	F05012-82	4
3	WASHER, 1/2" SAE FLAT	F05011-2	4
4	PIN, 1/8 X 3/4" COTTER	F05012-3	4
5	BOLT, 5/8-11 X 1 3/4" HEX HEAD	F05009-33	4
6	WASHER, 5/8" SPLIT LOCK	F05011-27	4
7	PLATE, HYDRAULIC TOEBOARD MOUNT	S13023	2
8	BRACKET, HYDRAULIC TOEBOARD MOUNT	S13022	2
9	PIN, CYLINDER MOUNT	S09251	2
10	PIN, 3/16" X 1 1/2" COTTER	F05012-23	4
11	WASHER, 1" SAE FLAT	F05011-28	6
12	CYLINDER, 1 1/2" X 6" HYDRAULIC TOE BOARD	014482	2
	Seal Kit, 1 1/2" x 6" Hydraulic Cylinder	014547	1
13	BOLT, 1-8 X 3 1/4" HEX HEAD GRADE 5	F05009-51	2
14	NUT, 1-8 HEX NYLON LOCK	F05010-109	2
15	FITTING, 1/4" NPT X 1/4" JIC MALE	P09143	4

INDEX

B

battery box 5-9, 5-11

bed rails
front/rear 8-1, 8-3
middle front 8-5
middle rear 8-6
pivot 8-10

blade guide arm 2-21, 2-22
drive 2-19

blade guides
drive side roller 2-10, 2-13, 2-16
idle side roller 2-1, 2-4, 2-7
throat screw 4-1

blade tensioner 3-6

blade wheels
drive side 3-1, 3-3
idle side 3-5

board return 4-20, 4-22

board return table 8-18, 8-19

brake assembly 4-7

C

clutch lever 4-2

clutch mount 4-6

control box 5-1
circuit breakers 5-5, 5-6
drum switches 5-4
front panel & harnesses 5-7

covers
blade housing 4-14
drive belt 4-16, 4-17

D

debarker wire box/hole plugs 4-19

decals
frame 8-16, 8-17
saw head 4-10, 4-11, 4-13

F

feed chain 7-5, 7-6

fuse box 5-13, 5-15

H

hydraulic
control box 10-3
hoses 10-1
log clamp 10-15
log loader 10-8
log turner 10-10
power strip 10-6
side supports 10-12
side supports (middle) 10-14
toe board 10-17

L

legs
stationary 8-8

M

manuals 9-1

O

outfeed table option 8-21

P

parts list
 how to use 1-1

power feed 7-3

R

rest pin 8-15

S

sawdust chute 4-18

side supports 8-12

T

track rollers
 lower 7-7
 upper 7-1

U

up/down
 blade scales 6-2, 6-4
 chain & sprockets 6-6
 drive 6-8
 drive (diesel) 6-12
 drive (gas) 6-10
 saw head mount 6-1
 sprocket drive 6-10

W

water lube
 bottle/tray 4-8