

# Wood-Mizer<sup>®</sup> Sawmill

## Parts Manual

---

LT35

rev. A7.00-A7.02

---

***Safety is our #1 concern!***

*Form #1775*



**WARNING! Read and understand this manual before using this machine.**

## California

### Proposition 65 Warning



**WARNING:** Breathing gas/diesel engine exhaust exposes you to chemicals known to the State of California to cause cancer and birth defects or other reproductive harm.

Always start and operate the engine in a well-ventilated area.  
If in an enclosed area, vent the exhaust to the outside.  
Do not modify or tamper with the exhaust system.  
Do not idle the engine except as necessary.

For more information go to [www.P65warnings.ca.gov](http://www.P65warnings.ca.gov).



**WARNING:** Drilling, sawing, sanding or machining wood products can expose you to wood dust, a substance known to the State of California to cause cancer. Avoid inhaling wood dust or use a dust mask or other safeguards for personal protection.

For more information go to [www.P65Warnings.ca.gov/wood](http://www.P65Warnings.ca.gov/wood).

### Active Patents assigned to Wood-Mizer, LLC

Wood-Mizer, LLC has received patents that protect our inventions which are a result of a dedication to research, innovation, development, and design. Learn more at: [woodmizer.com/patents](http://woodmizer.com/patents)

### ©2024 Wood-Mizer LLC

Printed in the United States of America, all rights reserved. No part of this manual may be reproduced in any form by any photographic, electronic, mechanical or other means or used in any information storage and retrieval system without written permission from

**Wood-Mizer, LLC**  
**8180 West 10th Street**  
**Indianapolis, Indiana 46214**

**SECTION 1 REPLACEMENT PARTS**

1.1 How To Use The Parts List..... 1-1  
     *To Order Parts* ..... 1-1  
 1.2 Sample Assembly..... 1-1  
 1.3 Torque Values..... 1-2

**SECTION 2 BLADE GUIDE ROLLERS & ARM**

2.1 Blade Guide Assembly, Idle Side ..... 2-1  
 2.2 Blade Guide Assembly, Drive Side ..... 2-3  
 2.3 Blade Guide Arm ..... 2-5

**SECTION 3 BLADE WHEELS & TENSIONER**

3.1 Blade Drive Assembly ..... 3-6  
 3.2 Idle Blade Wheel Assembly..... 3-7  
 3.3 Blade Tensioner Assembly (2015-Present)..... 3-8

**SECTION 4 SAW HEAD**

4.1 Water Lube Assembly ..... 4-1  
 4.2 Saw Head Decals ..... 4-3  
 4.3 Blade Housing Covers ..... 4-4  
 4.4 Sawdust Chute..... 4-5

**SECTION 5 CONTROL & BATTERY BOXES**

5.1 Control Assembly ..... 5-1  
 5.2 Drum Switches..... 5-3  
 5.3 Front Panel Assembly(2014-Present) ..... 5-4  
 5.4 Front Panel Assembly (2013) ..... 5-5  
 5.5 Battery Box Assembly ..... 5-7

**SECTION 6 UP/DOWN SYSTEM**

6.1 Saw Head Mount..... 6-1  
 6.2 Up/Down Assembly ..... 6-3  
 6.3 Magnetic Position Sensor Assembly..... 6-5

**SECTION 7 FEED SYSTEM & TRACK ROLLERS**

7.1 Track Rollers And Wipers ..... 7-1  
 7.2 Power Feed Assembly (2013-Present)..... 7-3  
 7.3 Feed Chain/Stop..... 7-5

**SECTION 8 BED FRAME ASSEMBLY**

8.1 Bed Frame ..... 8-1  
 8.2 Bed Rail Assembly, Front And Rear ..... 8-2  
 8.3 Bed Rail Assembly, Middle Front ..... 8-4  
 8.4 Bed Rail Assembly, Middle Rear ..... 8-5  
 8.5 Leg Assembly ..... 8-6  
 8.6 Pivot Bed Rail Assembly ..... 8-7  
 8.7 Log Side Support Assembly (Manual) ..... 8-8

## Table of Contents

## Section-Page

8.8	Safety Chain Assembly .....	8-9
8.9	Rest Pin Assembly.....	8-10
8.10	Bed Frame Decals.....	8-11
8.11	Log Clamp.....	8-12
8.12	Log Loading Ramps .....	8-13
8.13	Board Outfeed Table (Optional).....	8-14
8.14	Manual Winch (Optional).....	8-15

### **SECTION 9 BED HYDRAULIC SYSTEM (OPTIONAL)**

9.1	Hydraulic Hoses .....	9-1
9.2	Hydraulic Loader/Turner Control Box (Optional) .....	9-2
9.3	Hydraulic Power Supply Strip (Optional) .....	9-4
9.4	Hydraulic Log Loader (Optional).....	9-6
9.5	Hydraulic Log Turner (Optional) .....	9-8
9.6	Hydraulic Log Side Supports (Optional).....	9-10
9.7	Miscellaneous Loader & Turner Parts.....	9-12

### **SECTION 10 MISCELLANEOUS**

10.1	Replacement Manuals .....	10-1
------	---------------------------	------

## SECTION 1 REPLACEMENT PARTS

### 1.1 How To Use The Parts List

- Use the table of contents to locate the assembly that contains the part you need.
- Go to the appropriate section and locate the part in the illustration.
- Use the number pointing to the part to locate the correct part number and description in the table.
- Parts shown indented under another part are included with that part.

#### To Order Parts

- From the continental US, call **1-800-525-8100** to order parts. Have your customer number, vehicle identification number, and part numbers ready when you call.
- From other international locations, contact the Wood-Mizer distributor in your area for parts.

### 1.2 Sample Assembly



REF	PART #	DESCRIPTION	COMMENTS	QTY.
	012345	SAMPLE ASSEMBLY, COMPLETE	INCLUDES ITEMS 1-6	1
1	F02222-22	Sample Part		1
2	F03333-33	Sample Part		2
	098765	Sample Subassembly	Includes items 3-6	1
3	S04444-44	Subassembly Sample Part		1
4	K55555	Subassembly Sample Part		1
	054321	Sample Sub-Subassembly	Includes items 5-6	2
5	022222	Sub-Subassembly Sample Part		1
6	F10234-56	Sub-Subassembly Sample Part		1

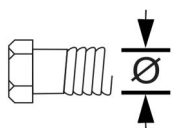
The Sample Assembly, Complete, part number 02345 (top level assembly) includes two parts (F0222-22 and F0333-33) and the 098765 subassembly.

Subassembly 098765 contains two parts(S04444-44 and K55555) and two copies of sub-subassembly 054321.

Each sub-subassembly 054321 contains two parts (022222 and F10234-56).

### 1.3 Torque Values

Grade		Units	SAE 5	SAE 8
Grade Mark				
Bolt Dia.	Threads Per In.	Units	SAE 5	SAE 8
6	32	in-lbs (Nm)	20 (2.3)	-
8	32	in-lbs (Nm)	24 (2.7)	30 (3.4)
10	24	in-lbs (Nm)	35 (4.0)	45 (5.1)
10	32	in-lbs (Nm)	40 (4.5)	50 (5.7)
12	24	in-lbs (Nm)	50 (5.7)	65 (7.3)
1/4	20	in-lbs (Nm)	95 (10.7)	125 (14.1)
1/4	28	in-lbs (Nm)	95 (10.7)	150 (17.0)
5/16	18	ft-lbs (Nm)	17 (22.6)	23 (31.2)
5/16	24	ft-lbs (Nm)	20 (27.1)	25 (33.8)
3/8	16	ft-lbs (Nm)	30 (40.7)	40 (54.2)
3/8	24	ft-lbs (Nm)	35 (47.5)	45 (61.0)
7/16	14	ft-lbs (Nm)	50 (67.8)	65 (88.1)
7/16	20	ft-lbs (Nm)	55 (74.6)	70 (94.9)
1/2	13	ft-lbs (Nm)	75 (101.7)	100 (135.6)
1/2	20	ft-lbs (Nm)	85 (115.3)	110 (149.2)
9/16	12	ft-lbs (Nm)	105 (142.4)	135 (183.1)
9/16	18	ft-lbs (Nm)	115 (155.9)	150 (203.4)
5/8	11	ft-lbs (Nm)	150 (203.4)	195 (264.4)
5/8	18	ft-lbs (Nm)	160 (217.0)	210 (284.8)
3/4	10	ft-lbs (Nm)	170 (230.5)	220 (298.3)
3/4	16	ft-lbs (Nm)	175 (237.3)	225 (305.1)
7/8	9	ft-lbs (Nm)	302 (409.5)	473 (640.9)
7/8	14	ft-lbs (Nm)	300 (406.8)	400 (542.4)
1	8	ft-lbs (Nm)	466 (631.8)	714 (967.4)



Metric Bolt Head Identification



**8.8**  
Metric Grade 8.8

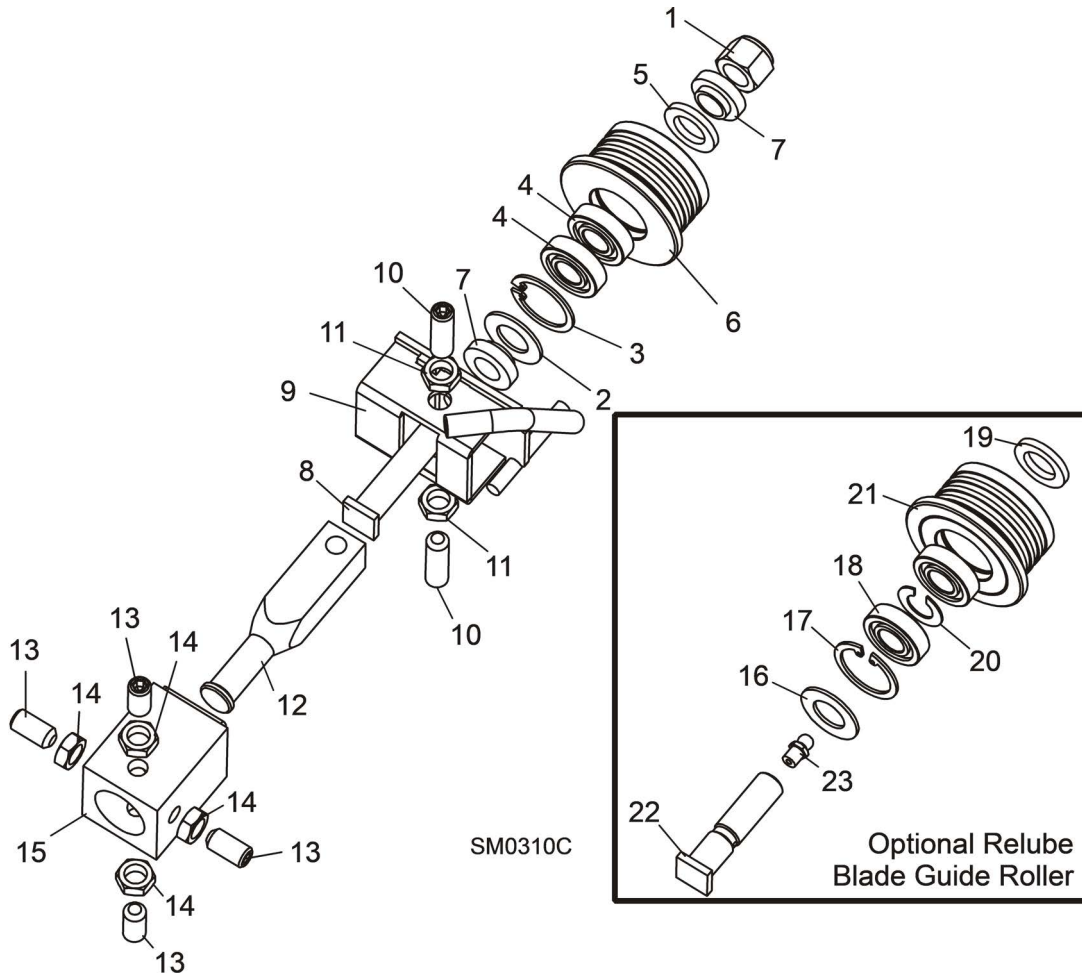


**10.9**  
Metric Grade 10.9

COARSE THREAD					FINE THREAD				Wrench Size	
Diameter & Thread Pitch	Metric 8.8		Metric 10.9		Diameter & Thread Pitch	Metric 8.8		Metric 10.9		
	N-m	lbs-ft	N-m	lbs-ft		N-m	lbs-ft	N-m		lbs-ft
6 x 1.0	8	6	11	8					10 mm	
8 x 1.25	20	15	27	20	8 x 1.0	21	16	29	22	13 mm
10 x 1.5	39	29	54	40	10 x 1.25	41	30	57	42	16 mm
12 x 1.75	68	50	94	70	12 x 1.25	75	55	103	76	18 mm
14 x 2.0	109	80	151	111	14 x 1.5	118	87	163	120	21 mm
16 x 2.0	169	125	234	173	16 x 1.5	181	133	250	184	24 mm
18 x 2.5	234	172	323	239	18 x 1.5	263	194	363	268	27 mm
20 x 2.5	330	244	457	337	20 x 1.5	367	270	507	374	30 mm
22 x 2.5	451	332	623	460	22 x 1.5	495	365	684	505	34 mm
24 x 3.0	571	421	790	583	24 x 2.0	623	459	861	635	36 mm
30 x 3.0	1175	867	1626	1199	30 x 2.0	1258	928	1740	1283	46 mm

## SECTION 2 BLADE GUIDE ROLLERS & ARM

### 2.1 Blade Guide Assembly, Idle Side



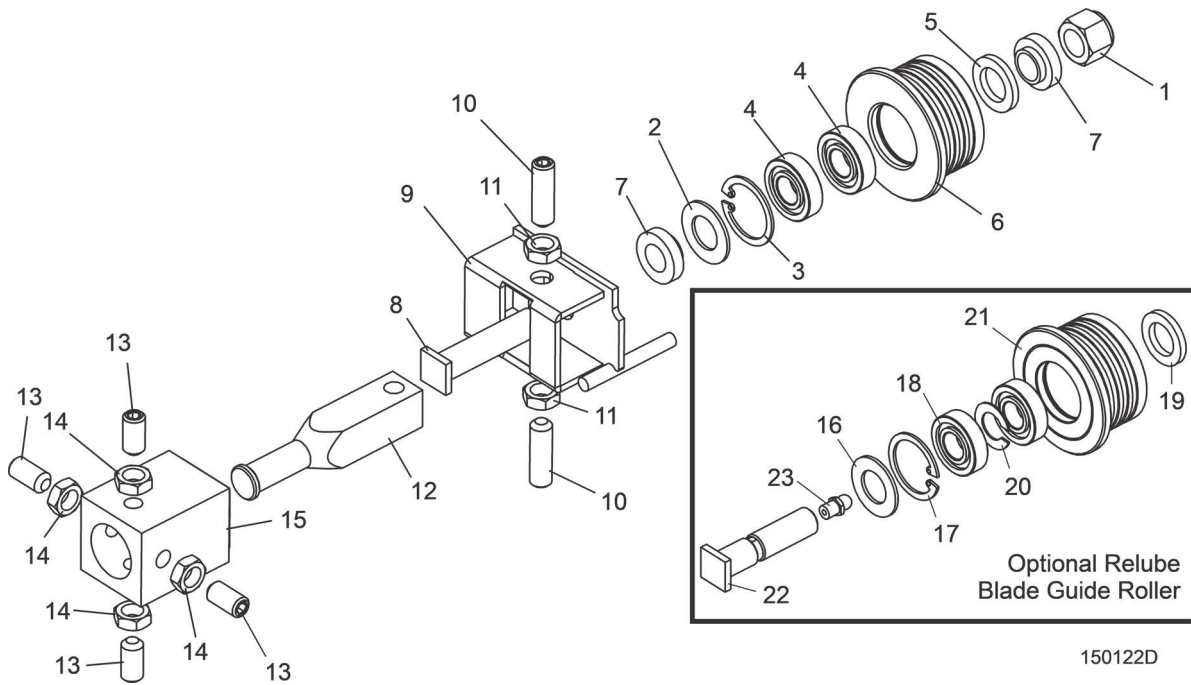
REF	PART #	DESCRIPTION	COMMENTS	QTY.
	A08197	<b>BLADE GUIDE ASSEMBLY, COMPLETE IDLE SIDE</b>		1
1	F05010-15	Nut, 1/2-20 Hex Nylon Lock		1
	A04925	Roller Assembly, Blade Guide (standard)		1
	K07079	Bearing Kit, Blade Guide Rebuild		1
2	P04252	Washer, 5/8" White Felt		1
3	F04254-1	Ring, 1 1/8" Interior Retaining		1
4	015975	Bearing, R8-2RS Blade Guide	Available in assemblies only.	2
5	P06455	Washer, 5/8" Gray Felt		1
	F05005-105	Screw, 1/4-28 x 1/4" Socket Head Cup Point Set Black Oxide		1
	057407-1507	Instruction Sheet, Blade Guide Rebuild		1
6	S04250	Roller, Flanged Blade Guide	Available in assemblies only.	1

## 2 Blade Guide Rollers & Arm

### Blade Guide Assembly, Idle Side

REF	PART #	DESCRIPTION	COMMENTS	QTY.
	A04925-364	Instruction Sheet, Blade Guide Roller Replacement		1
7	S04253	Spacer, Blade Guide		2
8	036373	Bolt, Blade Guide Roller		1
9	W08495	Bracket, Blade Guide Idle Side With Water Tube		1
10	F05007-96	Screw, 3/8-24 X 1 1/4" Stainless Steel Socket Head Flat Point		2
11	F05010-22	Nut, 3/8-24 Jam		2
12	S08196	Shaft, Blade Guide Adjustment		1
13	F05007-95	<b>SCREW, 3/8-24 X 3/4" STAINLESS STEEL SOCKET HEAD FLAT POINT</b>		4
14	F05010-22	<b>NUT, 3/8-24 JAM</b>		4
15	W08159	<b>TUBE, BLADE GUIDE MOUNT</b> ((See Section 2.4))		1
	016568	<b>ROLLER ASSEMBLY, BLADE GUIDE RELUBE (OPTIONAL)</b>		1
	057407	Bearing Kit, Relube Blade Guide Rebuild		1
16	P04252	Washer, 5/8" White Felt		1
17	F04254-1	Ring, 1 1/8" Interior Retaining		1
18	015975	Bearing, R8-2RS Blade Guide	Available in assemblies only. Bearing must be modified for use with relube roller assemblies. Remove one seal from each bearing, place open sides facing each other and place spacer 035411 between bearings.	2
19	P06455	Washer, 5/8" Gray Felt		1
	057407-1507	Instruction Sheet, Blade Guide Rebuild		1
20	035411	Spacer, Blade Guide Bearing		1
21	035426	Roller, Flanged Blade Guide Relube	Available in assemblies only.	1
	A04925-364	Instruction Sheet, Blade Guide Roller Replacement		1
22	S08192	<b>BOLT, BLADE GUIDE ROLLER (RELUBE ONLY)</b>		1
23	P05060	<b>FITTING, 1/4-28 GREASE (RELUBE ONLY)</b>		1

## 2.2 Blade Guide Assembly, Drive Side



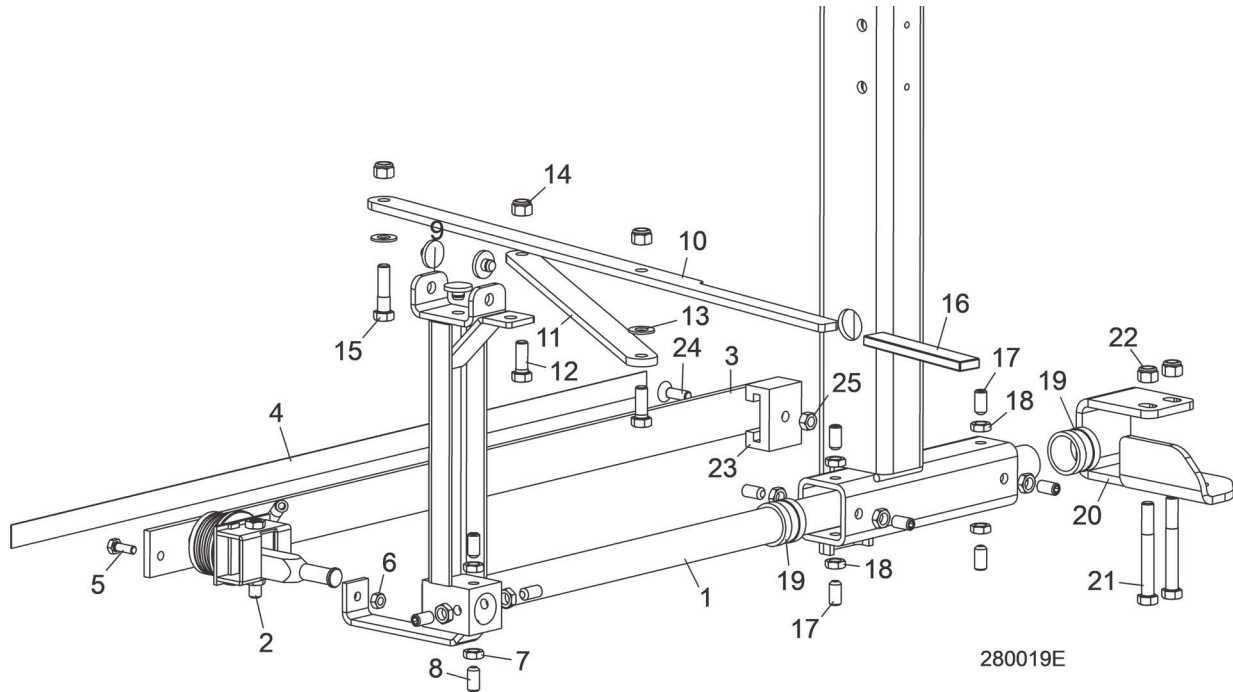
REF	PART #	DESCRIPTION	COMMENTS	QTY.
	A08191	<b>BLADE GUIDE ASSEMBLY, COMPLETE DRIVE SIDE</b>		1
1	F05010-15	Nut, 1/2-20 Hex Nylon Lock		1
	A04925	Roller Assembly, Blade Guide (standard)		1
	K07079	Bearing Kit, Blade Guide Rebuild		1
2	P04252	Washer, 5/8" White Felt		1
3	F04254-1	Ring, 1 1/8" Interior Retaining		1
4	015975	Bearing, R8-2RS Blade Guide	Available in assemblies only.	2
5	P06455	Washer, 5/8" Gray Felt		1
	F05005-105	Screw, 1/4-28 x 1/4" Socket Head Cup Point Set Black Oxide		1
	057407-1507	Instruction Sheet, Blade Guide Rebuild		1
6	S04250	Roller, Flanged Blade Guide	Available in assemblies only.	1
	A04925-364	Instruction Sheet, Blade Guide Roller Replacement		1
7	S04253	Spacer, Blade Guide		2
8	036373	Bolt, Blade Guide Roller		1
9	W08482	Bracket, Blade Guide Drive Side		1
10	F05007-96	Screw, 3/8-24 X 1 1/4" Stainless Steel Socket Head Flat Point		2
11	F05010-22	Nut, 3/8-24 Jam		2
12	S08196	Shaft, Blade Guide Adjustment		1
13	F05007-95	<b>SCREW, 3/8-24 X 3/4" STAINLESS STEEL SOCKET HEAD FLAT POINT SET</b>		3
14	F05010-22	<b>NUT, 3/8-24 JAM</b>		4
15	W08159	<b>TUBE WELDMENT, BLADE GUIDE MOUNT</b> (Part of saw frame weldment)		1

## 2 Blade Guide Rollers & Arm

Blade Guide Assembly, Drive Side

REF	PART #	DESCRIPTION	COMMENTS	QTY.
	016568	<b>ROLLER ASSEMBLY, BLADE GUIDE RELUBE (OPTIONAL)</b>		1
	057407	Bearing Kit, Relube Blade Guide Rebuild		1
<b>16</b>	P04252	Washer, 5/8" White Felt		1
<b>17</b>	F04254-1	Ring, 1 1/8" Interior Retaining		1
<b>18</b>	015975	Bearing, R8-2RS Blade Guide	Available in assemblies only. Bearing must be modified for use with relube roller assemblies. Remove one seal from each bearing, place open sides facing each other and place spacer 035411 between bearings.	2
<b>19</b>	P06455	Washer, 5/8" Gray Felt		1
<b>20</b>	035411	Spacer, Blade Guide Bearing		1
	057407-1507	Instruction Sheet, Blade Guide Rebuild		1
<b>21</b>	035426	Roller, Flanged Blade Guide Relube	Available in assemblies only.	1
	A04925-364	Instruction Sheet, Blade Guide Roller Replacement		1
<b>22</b>	S08192	<b>BOLT, BLADE GUIDE ROLLER (RELUBE ONLY)</b>		1
<b>23</b>	P05060	<b>FITTING, 1/4-28 GREASE (RELUBE ONLY)</b>		1

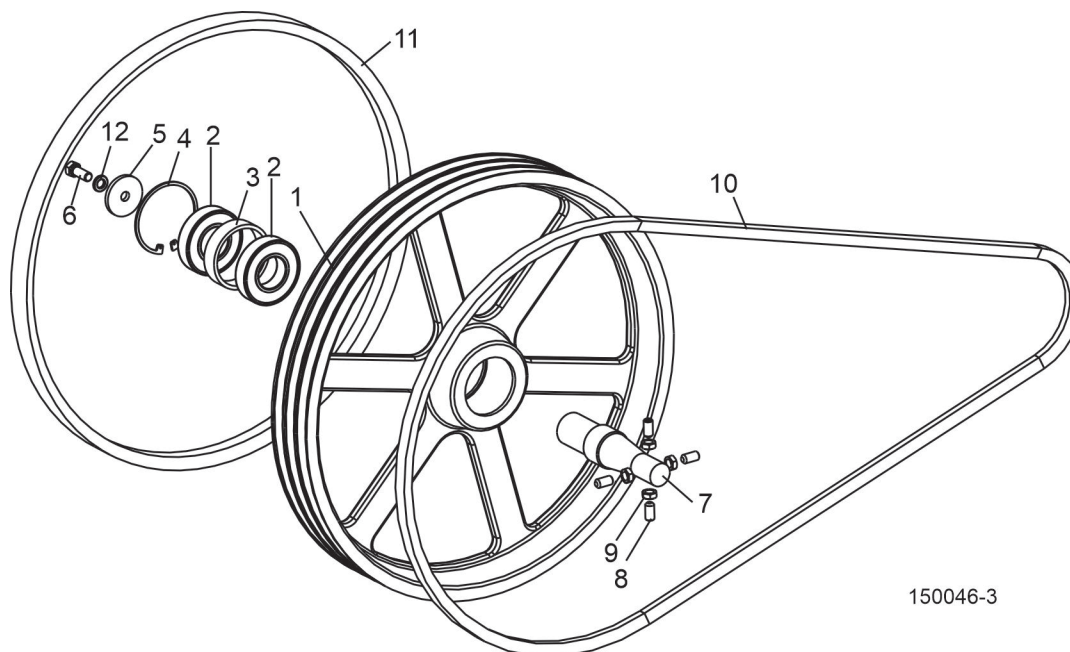
## 2.3 Blade Guide Arm



REF	PART #	DESCRIPTION	COMMENTS	QTY.
	046966	<b>ARM ASSEMBLY, LT15 BLADE GUIDE (2004)</b>		1
1	046965	Arm Weldment, LT15 Blade Guide (2004)		1
2		Blade Guide Parts (	<a href="#">(See Section 2.1)</a>	
3	014955	Guard, LT15 Blade Guide Arm		1
4	015849	Decal, LT15 Blade Guide Arm		1
5	F05005-1	Bolt, 1/4-20 x 3/4" Hex Head Full Thread		1
6	F05010-21	Nut, 1/4-20 Hex Lock		1
7	F05010-22	Nut, 3/8-24 Hex Jam		4
8	F05007-95	Screw, 3/8-24 x 3/4" Socket Head Flat Point Set		4
9	014973	Pad, Blade Guide Slide		3
10	076118	<b>PLATE, LT15 WIDE BLADE GUIDE ARM ADJUSTMENT</b>		1
11	076117	<b>PLATE, LT15 WIDE BLADE GUIDE ARM LINK</b>		1
12	F05007-87	<b>BOLT, 3/8-16 X 1" HEX HEAD GRADE 5</b>		2
13	F05011-3	<b>WASHER, 3/8" SAE FLAT</b>		3
14	F05010-10	<b>NUT, 3/8-16 HEX NYLON LOCK</b>		3
15	F05007-78	<b>BOLT, 3/8-16 X 1 1/2" HEX HEAD GRADE 5</b>		1
16	049008	<b>GRIP, 5/8" ID RUBBER HANDLE</b>		1
17	F05007-95	<b>SCREW, 3/8-24 X 3/4" STAINLESS SOCKET HEAD FLAT POINT SET</b>		8
18	F05010-22	<b>NUT, 3/8-24 HEX JAM</b>		8
19	015899	<b>BUSHING, BLADE GUIDE ARM</b>		2
20	049141	<b>BRACKET, SAW HEAD REST</b>		1
21	F05007-73	<b>BOLT, 3/8-16 X 3" HEX HEAD GRADE 5</b>		2
22	F05010-10	<b>NUT, 3/8-16 HEX NYLON LOCK</b>		2
23	014882	<b>BRACKET, BLADE GUIDE ARM GUIDE</b>		1
24	F05006-124	<b>BOLT, 5/16-18 X 1" FLAT HEAD SOCKET</b>		1
25	F05010-6	<b>NUT, 5/16-18 HEX LOCK</b>		1

## SECTION 3 BLADE WHEELS & TENSIONER

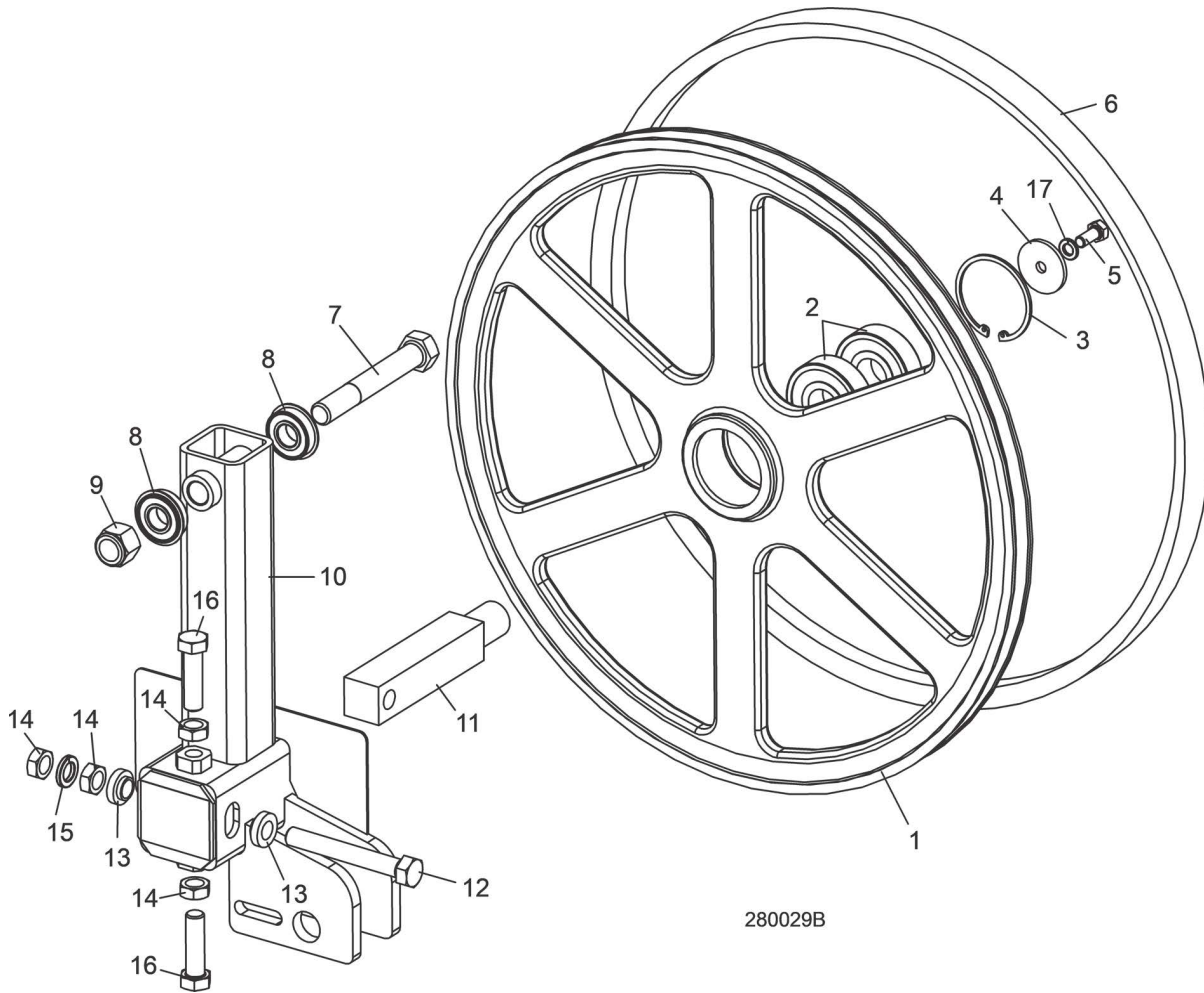
### 3.1 Blade Drive Assembly



150046-3

REF	PART #	DESCRIPTION	COMMENTS	QTY.
		BLADE WHEEL BRAKE PARTS, G18	<a href="#">(See Engine Manual)</a>	
		BLADE WHEEL BRAKE PARTS, D17	<a href="#">(See Engine Manual)</a>	
		BLADE WHEEL BRAKE PARTS, D19	<a href="#">(See Engine Manual)</a>	
		BLADE WHEEL BRAKE PARTS, G25	<a href="#">(See Engine Manual)</a>	
	036657	WHEEL ASSEMBLY, DRIVE SIDE BLADE		1
1	047702	Wheel, Drive Side Blade		1
2	014811	Bearing, #6207 2RS		2
3	014730	Spacer, Drive Bearing		1
4	F04254-30	Ring, 3.121 IR Beveled Retaining		1
5	014728	WASHER, DRIVE WHEEL RETAINING		1
6	F05007-87	BOLT, 3/8-16 X 1" HEX HEAD		1
7	143048	SHAFT, BLADE WHEEL		1
8	F05007-184	SCREW, 3/8-24X1 SHFP SET SS		4
9	F05010-22	NUT, 3/8-24 HEX JAM		4
10		BELT, DRIVE (SEE ENGINE MANUAL FOR PART #)	<a href="#">(See Section 5)</a>	1
11	P04185	BELT, B57		1
12	F05011-4	WASHER, 3/8" SPLIT LOCK		1

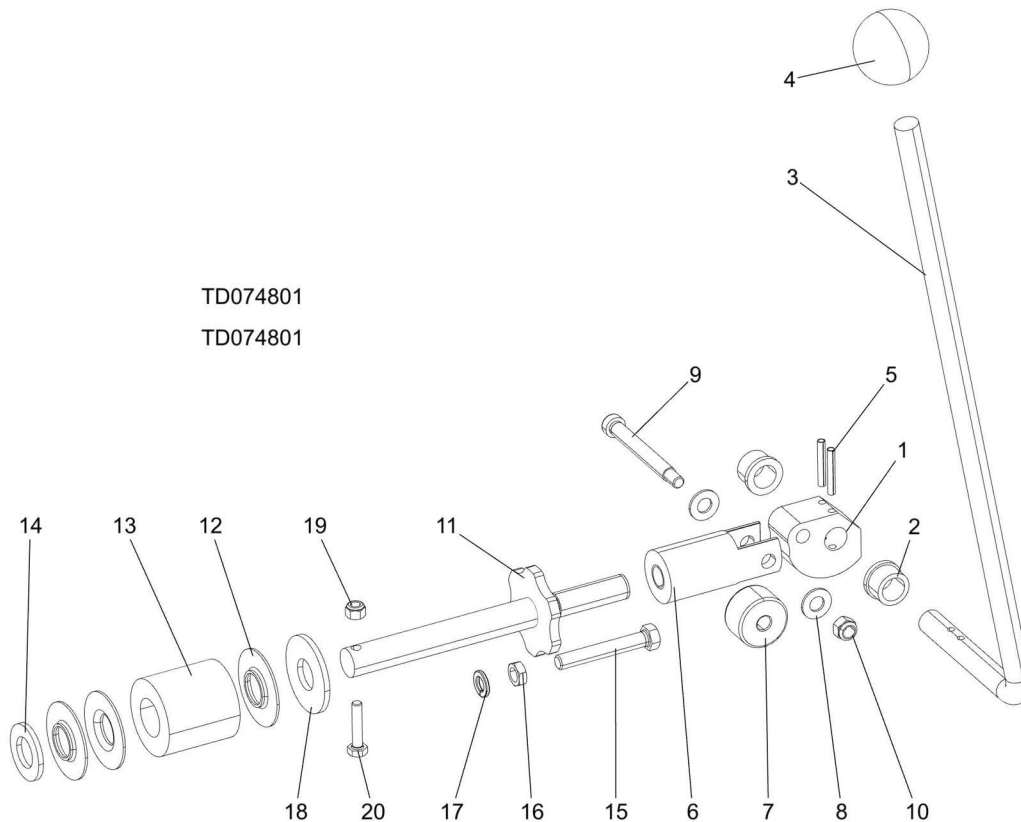
### 3.2 Idle Blade Wheel Assembly



280029B

REF	PART #	DESCRIPTION	COMMENTS	QTY.
	A08218	<b>WHEEL ASSEMBLY, IDLE SIDE BLADE</b>		1
1	P08125	Wheel, Idle Side Blade	Available in assemblies only.	1
2	P08066	Bearing, Idle Side Blade Wheel #6305-AA, C3, ABEC-1, SRI-2 Grease		2
3	F04254-21	Ring, 2 7/16" Internal Retaining		1
4	S08220	<b>WASHER, IDLE BLADE WHEEL RETAINER</b>		1
5	F05006-102	<b>BOLT, 5/16-18 X 3/4" HEX HEAD</b>		1
6	P04185	<b>BELT, BLADE WHEEL B57</b>		1
7	F05009-3	<b>BOLT, 5/8-11 X 4 1/2" HEX HEAD</b>		1
8	014834	<b>BEARING, 5/8" I.D. W/SNAP RING</b>		2
9	F05010-34	<b>NUT, 5/8-11 HEX NYLON LOCK</b>		1
10	049349	<b>IDLER WELDMENT, BLADE WHEEL</b>		1
11	S12565	<b>SHAFT, IDLE WHEEL</b>		1
12	F05008-111	<b>BOLT, 1/2-20 X 3 3/4" HEX HEAD FULL THREAD GRADE 2</b>		1
13	S04253	<b>SPACER, 1/2" I.D. FLANGED</b>		2
14	F05010-16	<b>NUT, 1/2-20 HEX JAM</b>		4
15	F05011-9	<b>WASHER, 1/2" SPLIT LOCK</b>		1
16	F05008-127	<b>BOLT, 1/2-20 X 1 3/4" HEX HEAD GRADE 5</b>		2
17	F05011-13	<b>WASHER, 5/16" SPLIT LOCK</b>		1

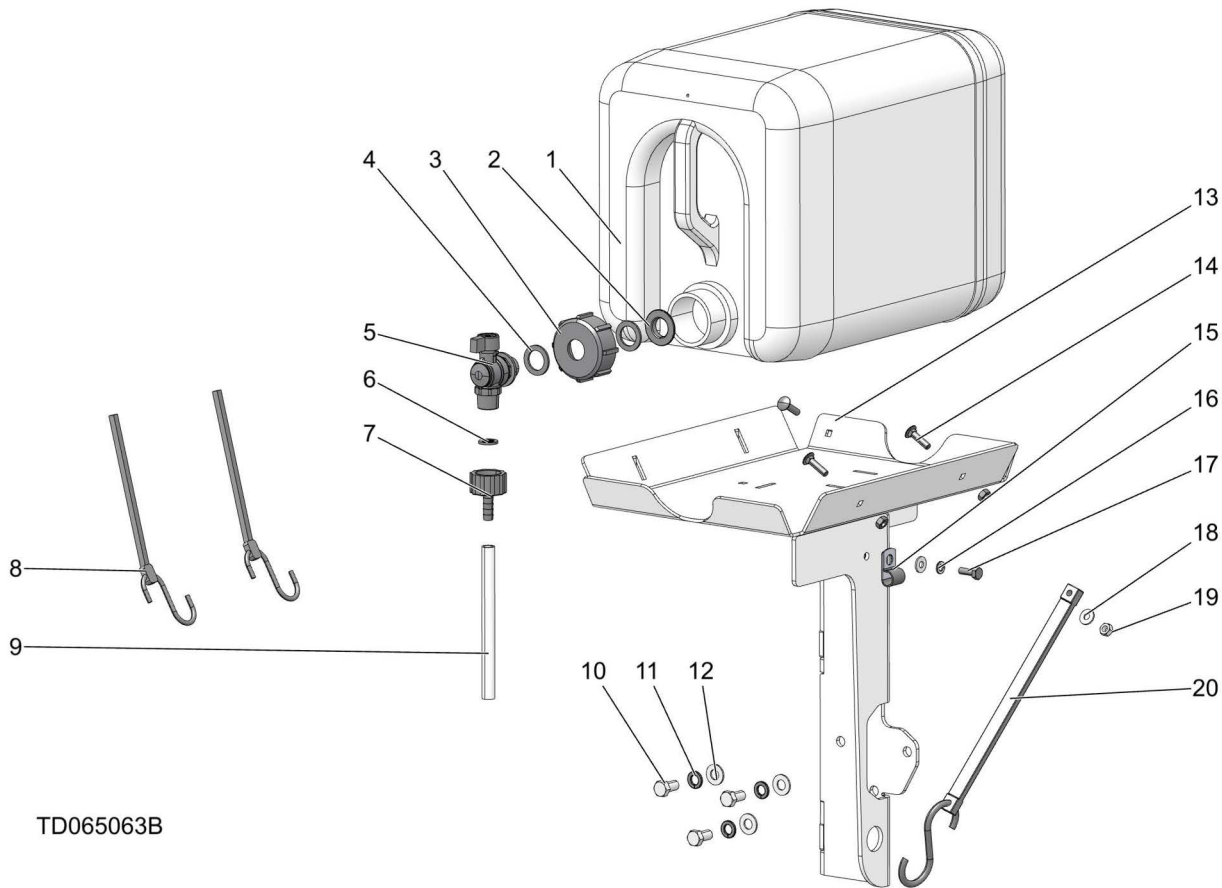
### 3.3 Blade Tensioner Assembly (2015-Present)



REF	PART #	DESCRIPTION	COMMENTS	QTY.
	074801	<b>TENSION ASSEMBLY, CAM ACTUATED BLADE(LT15/28/35, HR120/130)</b>		1
1	049104	Cam, Tension		1
2	P05135	Bushing, 5/8" x 7/8" x 1/2" Bronze		2
3	103801	Handle, Blade Tensioner, LT15/28/35		1
4	P04211	Knob, 5/8-18 Ball		1
5	F05012-16	Pin, 3/16" x 1 1/4" Roll		2
6	128072	Block, Tensioner Bearing Mount		1
7	048219	Cam Follower, 3/8" x 1 3/8" x 13/16"		1
8	F05011-3	Washer, 3/8" SAE Flat		2
9	F05007-202	Bolt, 3/8 x 2 1/2" Socket Head Shoulder		1
10	F05010-58	Nut, 5/16-18 Hex Nylon Lock		1
11	038642	Shaft Weldment, Blade Tension		1
12	014925	Guide, Tension Handle		3
13	014828	Spring, Rubber Tensioner Blade		1
14	F05011-62	Washer, 3/4" SAE Flat		1
15	F05007-157	Bolt, 3/8-16 x 2 1/2" Hex Head Full Thread		1
16	F05010-29	Nut, 3/8-16 Jam		1
17	F05011-4	Washer, 3/8" Split Lock		1
18	F05011-29	Washer, 3/4" USS Flat		1
19	F05010-69	Nut, 1/4-20 Nylock		1
20	F05005-116	Bolt, 1/4-20x1 1/4 HH Gr5		1

## SECTION 4 SAW HEAD

### 4.1 Water Lube Assembly



TD065063B

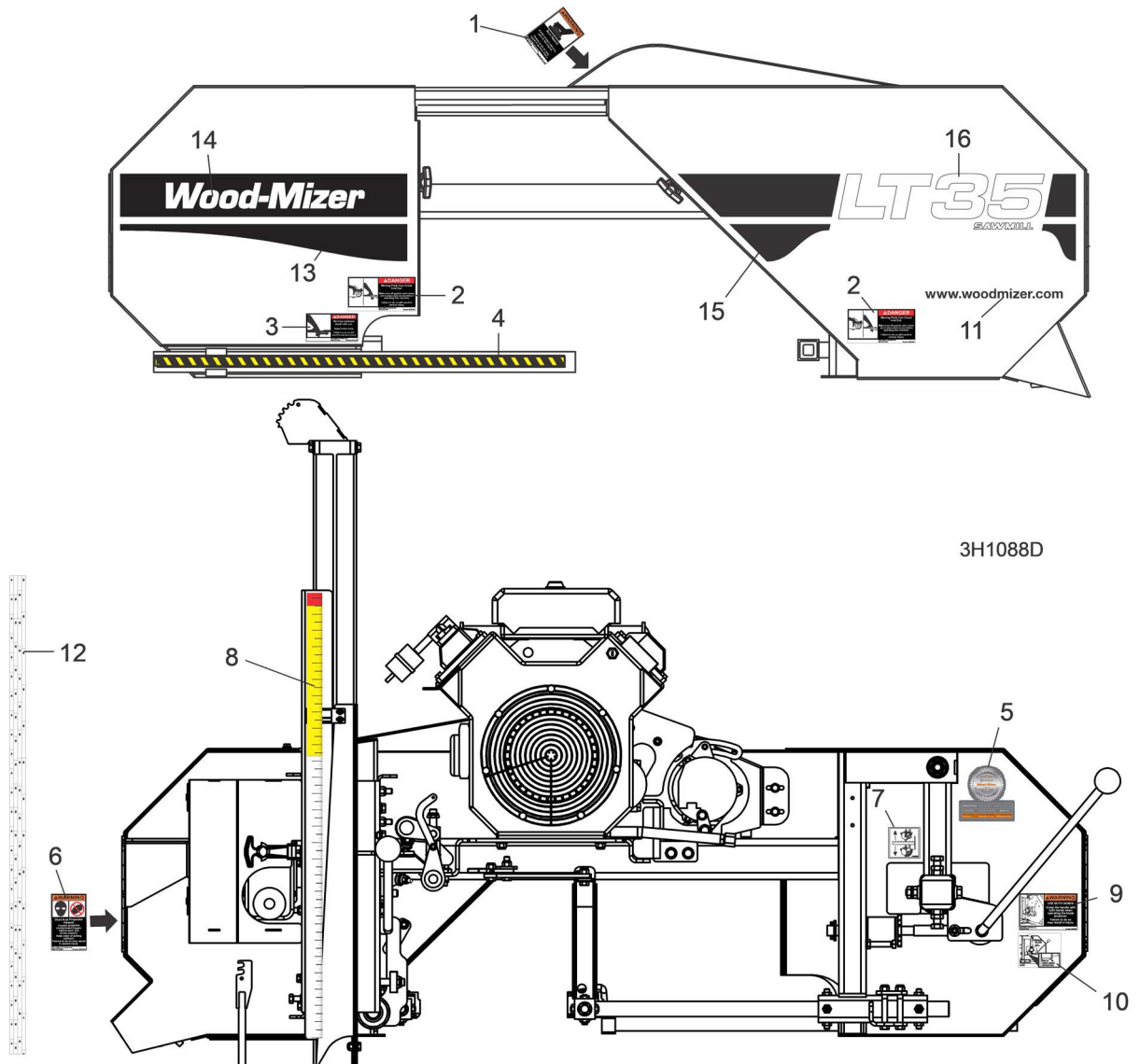
REF	PART #	DESCRIPTION	COMMENTS	QTY.
	065063	Tray Assembly, LT35 Water Lube Bottle		1
	601615	<b>Assembly, Water Bottle</b>		1
<b>1</b>	513866	Bottle, Water		1
		Assembly, Cap w/ Valve		
<b>2</b>	625839	Nut, Brass 1/2" for Water Bottle		1
<b>3</b>	550785	Cap, Water Bottle		1
<b>4</b>	550780	O-Ring, 20X30X2		2
<b>5</b>	625845	Valve	Available in assembly only	1
<b>6</b>	550778	Gasket, 1/2" w/Strainer		1
<b>7</b>	550777	Fitting, G3/4" X 10mm Hose Barb		1
<b>8</b>	P11668	Strap, 20 Rubber W/Hooks		2
<b>9</b>	R01885	Hose, Water Lube Stock		1
<b>10</b>	F05007-27	Bolt, 3/8-16x3/4 HH Gr2		3
<b>11</b>	F05011-4	Washer, 3/8 Split Lock		3
<b>12</b>	F05011-3	Washer, 3/8 Flat SAE		3
<b>13</b>	062530	Tray Weldment, LT35 Water		1
<b>14</b>	F05005-34	Bolt, 1/4-20 X 1 Carr		3
<b>15</b>	P07584	Clamp, 1/2EMT Coated		1

**4** Saw Head  
Water Lube Assembly

---

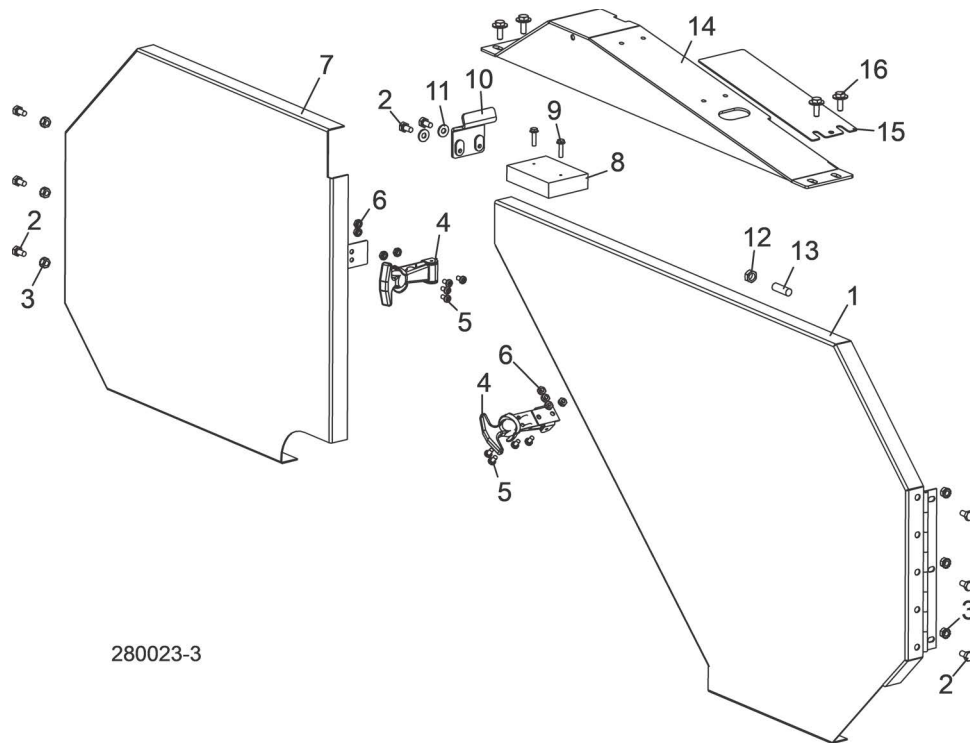
REF	PART #	DESCRIPTION	COMMENTS	QTY.
16	F05011-14	Washer, 1/4 Split Lock		1
17	F05005-1	Bolt, 1/4-20x3/4 FT HHC		1
18	F05011-11	Washer, 1/4 SAE Flat		2
19	F05010-21	Nut, 1/4-20 Swaged		3
20	012965	Strap, Rubber 9"		1

## 4.2 Saw Head Decals



REF	PART #	DESCRIPTION	COMMENTS	QTY.
1	014419	DECAL, HOT ENGINE WARNING		1
2	033254	DECAL, MOVING PARTS DANGER		2
3	S11752	DECAL, BLADE DANGER W/ARROW		1
4	015849	DECAL, BLADE GUIDE ARM STRIPE		1
5	079278	DECAL, WOOD-MIZER QUALITY & INFORMATION		1
6	P11754	DECAL, SAWDUST CHUTE WARNING		1
7	P11789	DECAL, BLADE TRACK INFO		1
8	S11773	DECAL, INCH SCALE		1
9	049367	DECAL, TENSIONER WARNING		1
10	049368	DECAL, BLADE TENSION INFO		1
11	003235	DECAL, WOOD-MIZER WEBSITE		1
12	016275	DECAL, MAGNETIC QUARTER SCALE		1
13	065008	DECAL, LT15/28/35 IDLE SIDE BLACK EURO STRIPE		1
14	065002	DECAL, LT10/15/28/35 WHITE WOOD-MIZER LOGO		1
15	065010	DECAL, LT28/35 DRIVE SIDE BLACK EURO STRIPE		1
16	065022	DECAL, LT35 WHITE EURO LOGO		1

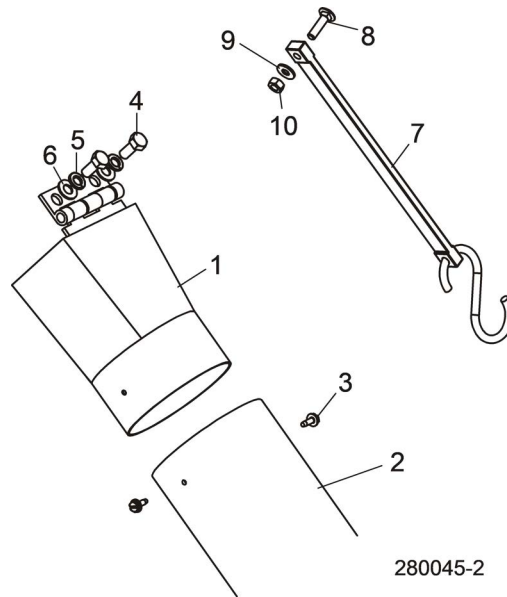
### 4.3 Blade Housing Covers



280023-3

REF	PART #	DESCRIPTION	COMMENTS	QTY.
1	065067	COVER, LT35 DRIVE SIDE BLADE HOUSING	(INCLUDES COVER DECALS - (See Section 4.11))	1
2	F05005-15	BOLT, 1/4-20 X 1/2" HEX HEAD		8
3	F05010-9	NUT, 1/4-20 KEPS		6
4	014829	LATCH, FLEXIBLE DRAW		2
5	F05004-3	SCREW, #10-24 X 3/8" CROSS SLOTTED ROUND HEAD		8
6	F05010-14	NUT, #10-24 SELF-LOCKING HEX		8
7	065068	COVER, LT35 IDLE SIDE BLADE HOUSING	(INCLUDES COVER DECALS - (See Section 4.11))	1
8	015844	BLOCK, BLADE VIBRATION DAMPENING		1
9	F05015-33	BOLT, #10 X 3/4" SLOTTED HEX WASHER HEAD		2
10	074394	BRACKET WELDMENT, LT15 BELT ENHANCE		1
11	F05011-11	WASHER, 1/4" SAE FLAT		2
12	F05010-29	NUT, 3/8-16 JAM		1
13	F05007-18	SCREW, 3/8-16 X 1 1/4 SHOP SET		1
	038633	COVER ASSEMBLY, TOP ENGINE PULLEY		1
14	074574	Cover Weldment, LT15/28 Top Belt Cover		1
15	074546	Plate, Belt Guard Cover		1
16	F05005-134	Bolt, 1/4-20 x 3/4" Hex Head w/Conical Washer		4

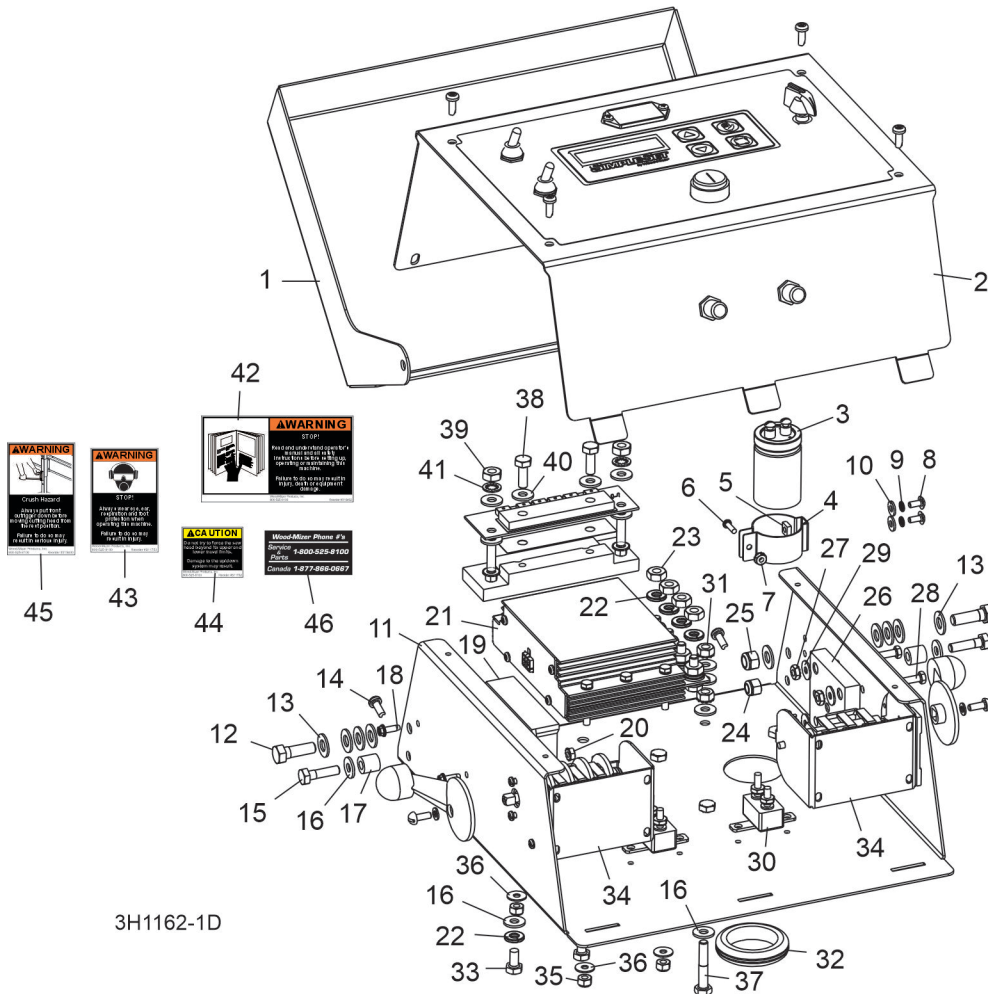
## 4.4 Sawdust Chute



REF	PART #	DESCRIPTION	COMMENTS	QTY.
1-6	038747	<b>CHUTE ASSEMBLY, LT28 SAWDUST</b>		1
1	038746	Chute Wldmt, LT28 Sawdust		1
2	016727	Chute, Rubber Sawdust		1
3	F05015-7	Bolt, #10-24x1/2 Self Tap		2
4	F05006-5	Bolt, 5/16-18x3/4 HHC		2
5	F05011-13	Washer, 5/16 Split Lock		2
6	F05011-17	Washer, 5/16 SAE Flat		2
7	012965	<b>STRAP, 9IN RUBBER WITH HOOKS</b>		1
8	F05005-34	<b>BOLT, 1/4-20X1 CARRIAGE</b>		1
9	F05011-11	<b>WASHER, 1/4 SAE FLAT</b>		1
10	F05010-21	<b>NUT, 1/4-20 SWAGED</b>		1

## SECTION 5 CONTROL & BATTERY BOXES

### 5.1 Control Assembly

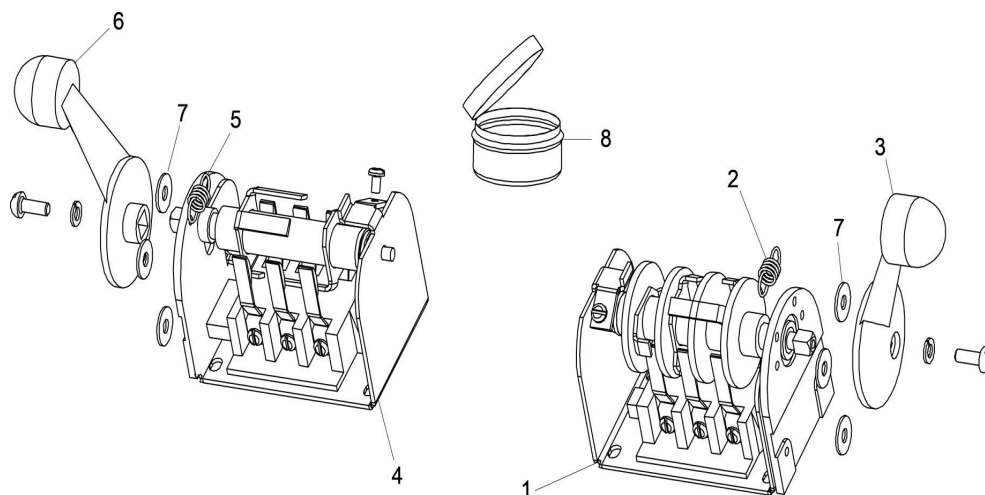


3H1162-1D

REF	PART #	DESCRIPTION	COMMENTS	QTY.
	073542	<b>CONTROL ASSEMBLY, LT35D17/G25 POWER FEED</b>		1
	073559	<b>CONTROL ASSEMBLY, LT35D24 POWER FEED</b>		1
1	071337	Plate, LT35 Control Box Cover		1
2	N/A	LT35 Operator Panel Parts	<a href="#">(See Section 5.3)</a>	1
3	052365	Capacitor Assembly, PF Filter		1
4	024410	Clamp, Capacitor Metal 1-3/8 Cylindrical		1
5	F05010-153	Nut, #8-32 Square		2
6	F05015-24	Screw, #6-32 x 1/2" SI RH		1
7	F05010-59	Nut, #6-32 Keps		1
8	F05004-157	Screw, #8-32 x 3/8" Round Hd Mach Grade 5		2
9	F05011-84	Washer, #8 Split Lock		2
10	F05011-41	Washer, #8 SAE Flat		2
11	071335	Box Weldment, LT35 Control Bottom		1
12	F05006-1	Bolt, 5/16-18 x 1" Hex Head		2
13	F05011-17	Washer, 5/16" SAE Flat		10
14	F05015-17	Bolt, #10-24 x 1/2 Ph Pan Hd, Type 23		11

REF	PART #	DESCRIPTION	COMMENTS	QTY.
15	F05005-101	Bolt, 1/4-20 x 1" Hex Head Grade 5		2
16	F05011-11	Washer, 1/4" SAE Flat		8
17	076008	Bushing, 1/4" IDx1/2" OD Nylon		2
18	F05015-18	Bolt, #8-32 x 1/2" SI Hex Head		2
19	024396-1	Control Module, Power Feed SMT		1
	052294	Suppressor Assembly, 92+ Power Feed		1
20	F05010-41	Nut, #8-32 Keps		2
21	053373	H-Bridge Assembly, SimpleSet		1
22	F05011-14	Washer, 1/4" Split Lock		4
23	F05010-129	Nut, 1/4-20 Jam Heavy Duty		4
24	F05010-69	Nut, 1/4-20 Nylock		2
25	F05010-58	Nut, 5/16-18 Nylok Hex		2
26	024404	Block, Diode Heat Sink		1
	024403	Pad, Diode Block Insulating		1
	024409	Insulator, Nylon Screw #10 1/2in		4
27	F05010-14	Nut, #10-24 Keps		4
28	F05004-156	Bolt, #10-24 x1 Unslotted Hex Head Grade 2		4
29	F05011-18	Washer, #10 SAE Flat		4
30	053464	Breaker, 10A Manual Reset		2
31	F05010-9	Nut, 1/4-20 Keps		2
32	053784	Grommet, 25Pk 1-1/2" ID Rubber		1
33	F05005-15	Bolt, 1/4-20 x 1/2" Hex Head		2
34	N/A	Drum Switch Parts	<a href="#">(See Section 5.3)</a>	2
35	F05010-160	Nut, 10-24 Hex Nylock		4
36	F05011-18	Washer, #10 SAE Flat		4
37	F05005-31	Bolt, 1/4-20x1 1/2 HH FT		1
	024387	Module Assembly, Mosfet SMT 97+ P/F		1
38	F05005-1	Bolt, 1/4-20x3/4 FT HHC		2
39	F05010-129	Nut, 1/4-20 Jam Heavy Duty		2
40	F05011-11	Washer, 1/4" SAE Flat		6
41	F05011-69	Washer, 1/4" Int Star Heavy Duty		2
	073778	Harness Assembly, LT35 Simple Set Drum Switch		1
	073502	Harness Assembly, LT35 Upper (D17/G25 Only)		1
	073558	Harness Assembly, LT35 Upper (D24 Only)		1
	053632-FR	Cable Assembly, Remote SimpleSet Sensor		1
	052363	Diode Assembly, 96+ PF Replacement		1
42	016402	<b>DECAL, READ MANUAL WARNING</b>		1
43	S11753	<b>DECAL, EYE/EAR PROTECTION WARNING</b>		1
44	S11762	<b>DECAL, UP/DOWN CAUTION</b>		1
45	015400	<b>DECAL, FRONT OUTRIGGER WARNING</b>		1
46	S12117	<b>DECAL, 800 NUMBER</b>		1

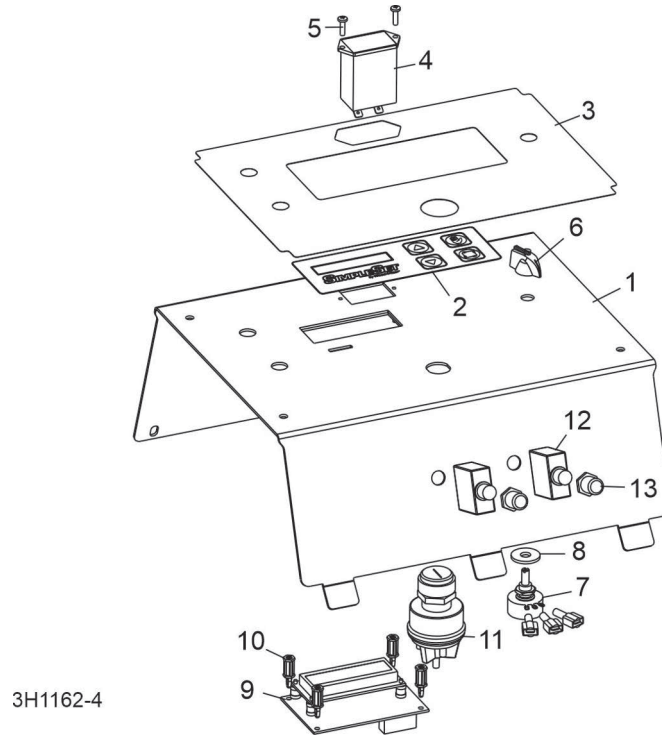
## 5.2 Drum Switches



3H0421

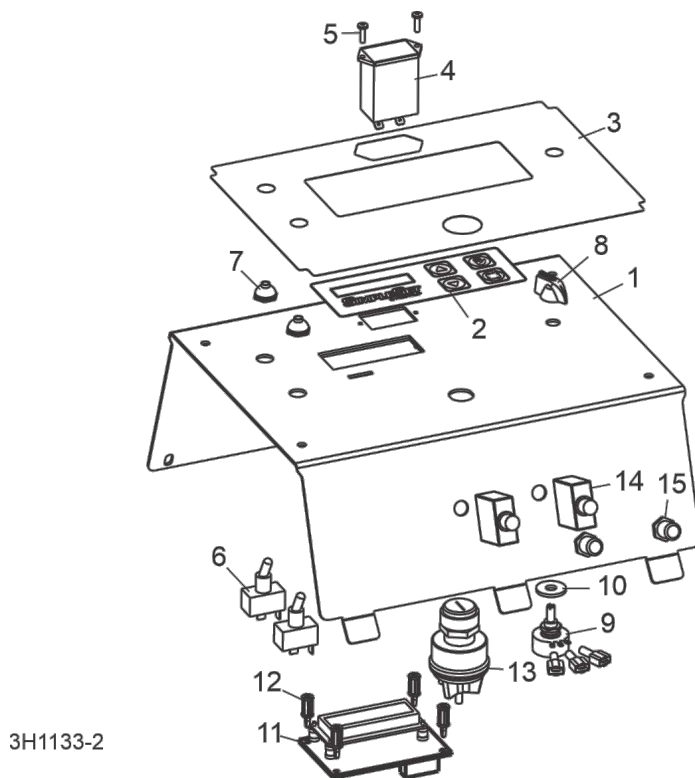
REF	PART #	DESCRIPTION	COMMENTS	QTY.
	E20440	<b>SWITCH ASSEMBLY, UP/DOWN DRUM</b>		1
1	E20440-B	Switch, S12 Bulk Drum	Available in assemblies only.	1
2	P12570	Spring, Drum Switch		1
3	P12500	Handle, Drum Switch Replacement		1
	E20439	<b>SWITCH ASSEMBLY, POWER FEED DRUM</b>		1
4	E20439-B	Switch, S11 Bulk Drum	Available in assemblies only.	1
5	P12570	Spring, Drum Switch		1
6	P12500	Handle, Drum Switch Replacement		1
7	F05011-41	<b>WASHER, #8 SAE FLAT</b>		6
8	A20463	<b>CUP ASSEMBLY, DRUM SWITCH GREASE</b>		1

### 5.3 Front Panel Assembly(2014-Present)

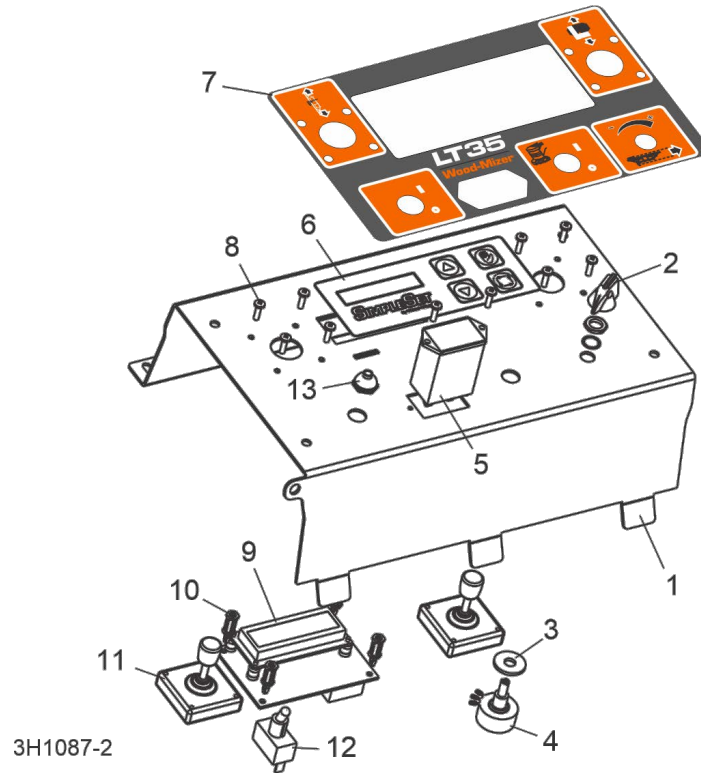


REF	PART #	DESCRIPTION	COMMENTS	QTY.
	073541	<b>PANEL ASSEMBLY, LT35 OPERATOR</b>		1
<b>1</b>	071339	Top Weldment, LT35 Control Box		1
<b>2</b>	053347	Membrane, SimpleSet Switch		1
<b>3</b>	071341	Decal LT35 Control Box		1
<b>4</b>	015401	Meter, Hour		1
<b>5</b>	F05015-28	Screw, #6-32 x 1/2" Plain PH T23		2
<b>6</b>	P06257	Knob, Speed Control		1
<b>7</b>	076050	Pot Assembly, w/Terminals		1
<b>8</b>	F05011-16	Washer, 5/16" Standard Flat		1
<b>9</b>	073540-FR	SimpleSet Controller, LT35 (Field Replacement)		1
<b>10</b>	053385	Standoff, 5/8" Threaded PCB		4
<b>11</b>	P04350	Switch, Key		1
<b>12</b>	021256	Breaker, 50A Manual Reset Panel Mount		2
<b>13</b>	021253	Boot, Circuit Breaker		2
	R02309	Foam, 3/16x1/2 Adhesive Back Rubber		2 ft.

## 5.4 Front Panel Assembly (2013)

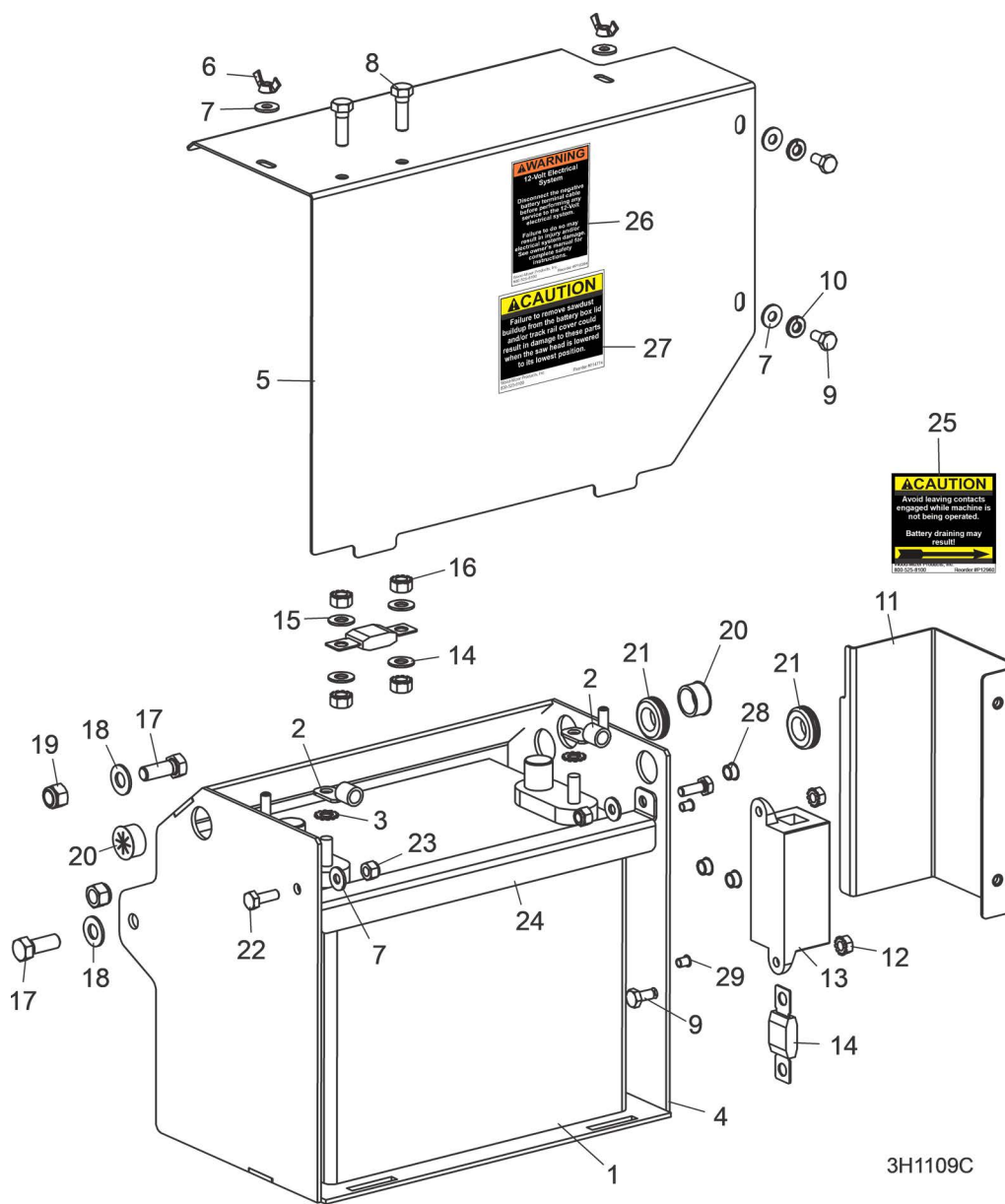


REF	PART #	DESCRIPTION	COMMENTS	QTY.
	071338	PANEL ASSEMBLY, LT35 OPERATOR		1
1	071339	Top Weldment, LT35 Control Box		1
2	053347	Membrane, SimpleSet Switch		1
3	071341	Decal LT35 Control Box		1
4	015401	Meter, Hour		1
5	F05015-28	Screw, #6-32 x 1/2" Plain PH T23		2
6	P03027	Switch, SPST On/Off 15A .25 Tabs Toggle		2
7	P02575	Boot, Toggle Switch		2
8	P06257	Knob, Speed Control		1
9	076050	Pot Assembly, w/Terminals		1
10	F05011-16	Washer, 5/16" Standard Flat		1
11	053774-FR	SimpleSet Controller, (Field Replacement)		1
12	053385	Standoff, 5/8" Threaded PCB		4
13	P04350	Switch, Key		1
14	021256	Breaker, 50A Manual Reset Panel Mount		2
15	021253	Boot, Circuit Breaker		2
	R02309	Foam, 3/16x1/2 Adhesive Back Rubber		2 ft.



REF	PART #	DESCRIPTION	COMMENTS	QTY.
	053786	<b>PANEL ASSEMBLY, LT35G25 OPERATOR</b>		
	053789	<b>PANEL ASSEMBLY, LT35D17 OPERATOR</b>		1
<b>1</b>	062522	Control Box Weldment, LT35 Top		1
<b>2</b>	P06257	Knob, Speed Control		1
<b>3</b>	F05011-16	Washer, 5/16" Standard Flat		1
<b>4</b>	A07793	Pot Assembly, Feed Rate Control Pre-92		1
<b>5</b>	015401	Meter, Hour Digital w/Gasket (G25 Only)		1
	065186	Plate, Hour Meter Cover (D17 Only)		1
<b>6</b>	053347	Membrane, SimpleSet Switch		1
<b>7</b>	062540	Decal, LT35 Operator		1
<b>8</b>	F05015-28	Screw, #6-32 x 1/2" Plain PH T23		10
<b>9</b>	53774-FR	SimpleSet Controller, (Field Replacement)		1
<b>10</b>	053385	Standoff, 5/8" Threaded PCB		4
<b>11</b>	053771	Switch Assembly, 4 Pos Joystick		2
<b>12</b>	P03027	Switch, SPST On/Off 15A .25 Tabs Toggle		1
<b>13</b>	P02575	Boot, Toggle Switch		1
	R02309	Foam, 3/16x1/2 Adhesive Back Rubber		2 ft.

## 5.5 Battery Box Assembly

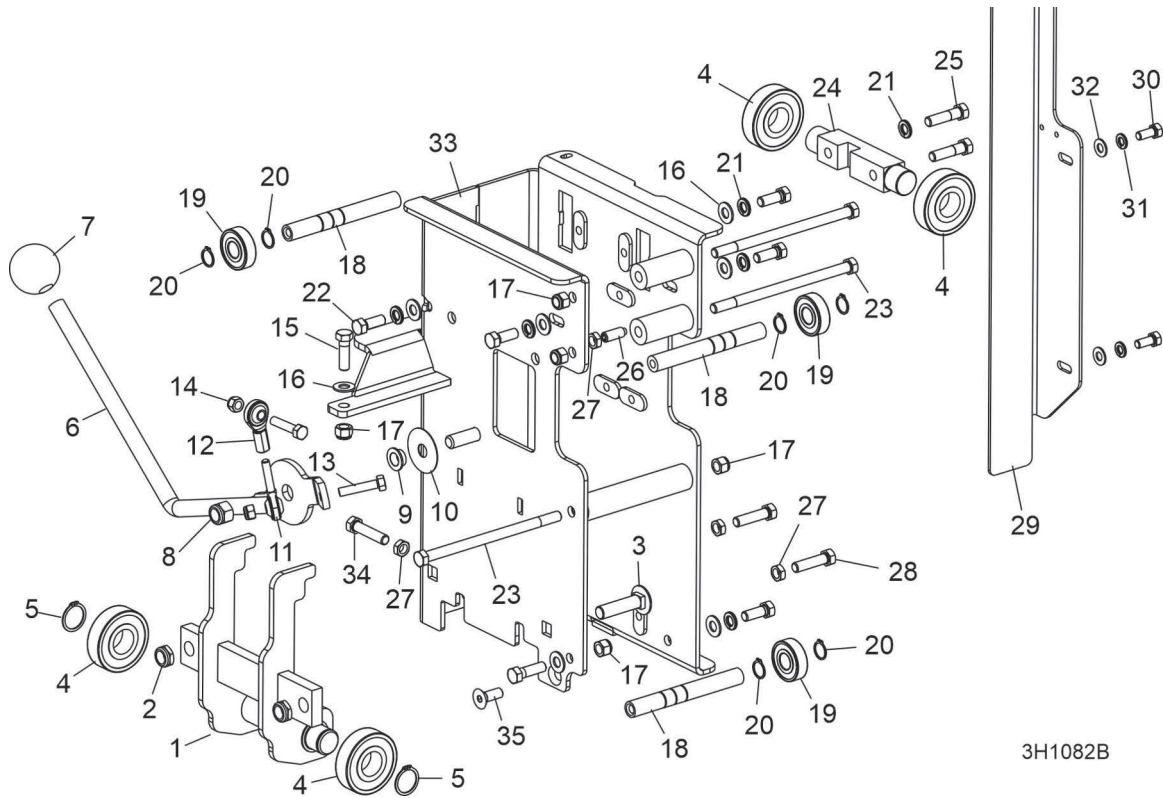


REF	PART #	DESCRIPTION	COMMENTS	QTY.
	065583	<b>BATTERY BOX ASSEMBLY, LT35</b>		1
1	P12315	Battery, Deka 12V, 24M77 800CCA 1000CA		1
2	F05092-16	Terminal, 5/16 1-2 Ga Ring NI Loose		2
3	F05011-33	Washer, 5/16" Star		2
4	062542	Box Weldment, LT35 Battery		1
5	062546	Cover, LT35 Battery		1
6	F05010-13	Nut, 1/4-20 Wing		2
7	F05011-11	Washer, 1/4" SAE Flat		6
8	F05006-1	Bolt, 5/16-18 X 1 Hex Head		2
9	F05005-15	Bolt, 1/4-20 x 1/2" Hex Head		6
10	F05011-14	Washer, 1/4" Split Lock		2
11	065040	Cover Weldment, LT35 Fuse		1
12	F05010-9	Nut, 1/4-20 Keps		2

REF	PART #	DESCRIPTION	COMMENTS	QTY.
13	052371	Fuseholder, Mega Fuse		1
14	052370-150	Fuse, 150A Mega		2
15	F05011-17	Washer, 5/16" SAE Flat		4
16	F05010-20	Nut, 5/16-18 Keps		4
17	F05007-87	Bolt, 3/8-16 x 1" Hex Head Grade 5		2
18	F05011-3	Washer, 3/8" Flat Sae		2
19	F05010-10	Nut, 3/8-16 Hex Nyloc		2
20	P04137	Grommet, 5/8" Wire		2
21	P11764	Grommet, 5/8" ID Rubber		2
22	F05005-123	Bolt, 1/4-20 x 3/4" Hex Head Grade 5		2
23	F05010-69	Nut, 1/4-20 Nylock		2
24	065082	Plate, Battery Hold Down		1
25	P12960	Decal, Hydraulic Contact Caution		1
26	P10364	Decal, 12V Warning		1
27	014774	Decal, Battery Box Lid Caution		1
28	014537	Plug, 13/32" Plastic		3
29	003954	Plug, 1/4" Black Plastic		2
		Hydraulic Positive Contact Parts	<a href="#">(See Section 10.3)</a>	

## SECTION 6 UP/DOWN SYSTEM

### 6.1 Saw Head Mount

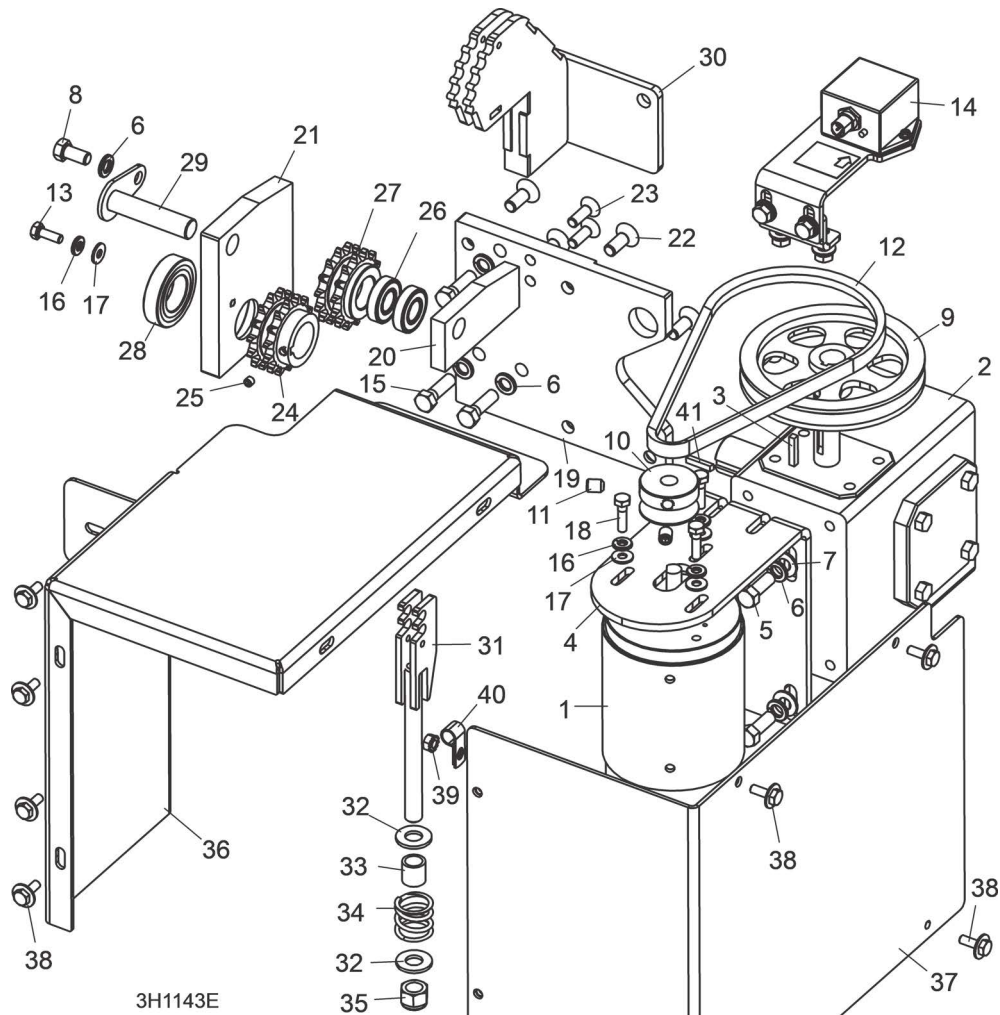


3H1082B

REF	PART #	DESCRIPTION	COMMENTS	QTY.
	062519	<b>BOX ASSEMBLY, LT35 MAST</b>		1
1	048562	Adjustment Weldment, Head LT28		1
2	F05010-127	Nut, 1/2-13 Half Nylon Lock		2
3	F05008-132	Bolt, 1/2-13x2 Carriage		2
4	P08066	Bearing, .9843" x 2.4409" x .6693"		4
5	F04254-26	Ring, 25mm 5100-98 OR		1
6	003327	Plate, Clutch Handle		1
7	P04211	Knob, 5/8-18 Ball		1
8	F05010-8	Nut, 1/2-13 Nylon Hex Lock		1
9	P08060	Bearing, SF1260-6 Bronze		1
10	014972	Washer, 33/64 x 1 3/4 x 1/32 Nylon		1
11	P09814	Rod, 5/16-24 Male End		1
12	P09813	Rod, 5/16-24 Female End		1
13	F05008-96	Bolt, 5/16-18 x 1 1/2" Hex Head		2
14	F05010-58	Nut, 5/16-18 Nylon Lock		2
15	F05007-123	Bolt, 3/8-16 x 1 1/4" Hex Head Grade 5		1
16	F05011-3	Washer, 3/8" SAE Flat		7
17	F05010-10	Nut, 3/8-16 Hex Nylon Lock		5
18	048559	Shaft, Bearing Mount		3
19	P06030-1	Bearing, 5/8" x 1.7548" x .4724"		3
20	F04254-2	Ring, 5/8" OR 5100-62		6

REF	PART #	DESCRIPTION	COMMENTS	QTY.
21	F05011-4	Washer, 3/8" Split Lock		6
22	F05007-87	Bolt, 3/8-16 x 1" Hex Head Grade 5		5
23	F05007-205	Bolt, 3/8-16 X 6 1/2" Hex Head Grade 5		3
24	048560	Shaft, Fixed Mount		1
25	F05007-78	Bolt, 3/8-16 x 1 1/2" Hex Head Grade 5		2
26	F05007-88	Screw, 3/8-16x1 Scoket Head Set Brass Tip		2
27	F05010-29	Nut, 3/8-16 Jam		2
28	F05007-17	Bolt, 3/8-16 x 1 1/2" Hex Head Full Thread		2
29	049133	Plate, Scale Mount		1
30	F05006-102	Bolt, 5/16-18 x 3/4" Hex Head		2
31	F05011-13	Washer, 5/16" Split Lock		2
32	F05011-17	Washer, 5/16" SAE Flat		2
33	062516	Box Weldment, LT35 Mast		1
34	F05007-19	Bolt, 3/8-16 x 1 3/4" Hex Head Full Thread		1
35	F05007-64	Screw, 3/8-16 x 1" Zinc & Bake FSHC		1

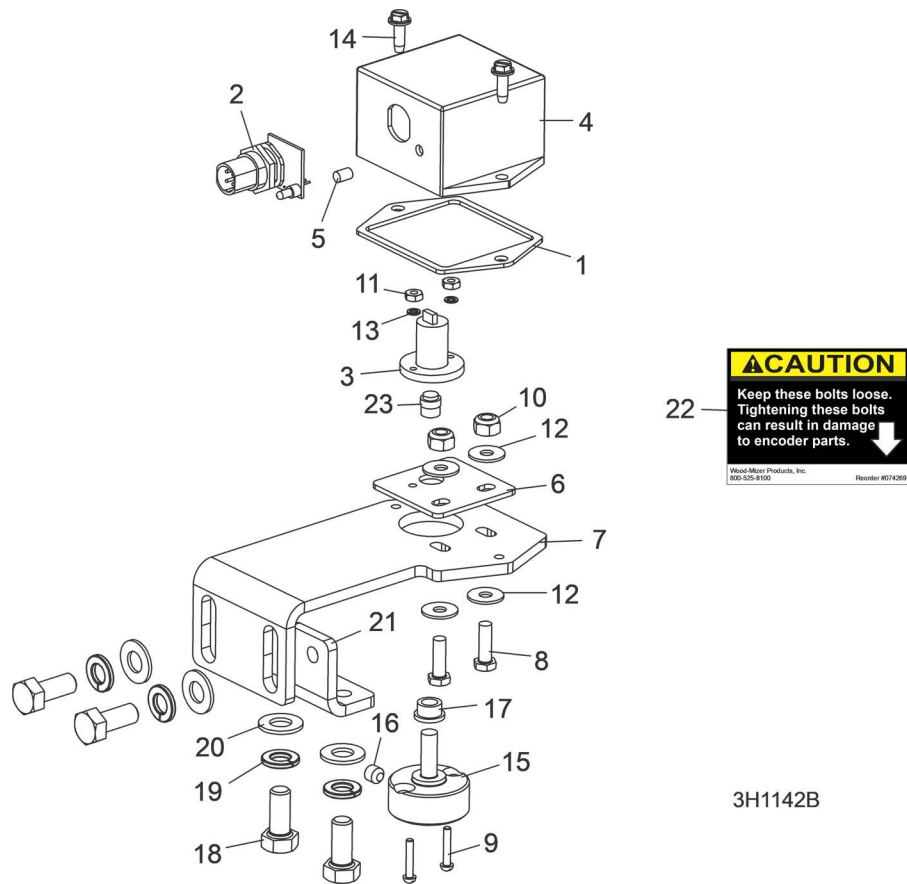
## 6.2 Up/Down Assembly



REF	PART #	DESCRIPTION	COMMENTS	QTY.
	062515	<b>MAST ASSEMBLY, LT35</b>		1
	066799	Up/Down Assembly, LT35		1
<b>1</b>	006747	Motor, 1/2HP 12VDC		1
	061794	Brush Kit, 12V Motor		1
<b>2</b>	074166	Gear Box, Up/Down Grove		1
	076149	Gear Box, Up/Down Grove		1
	L04869-3	Gear Oil, ISO 460 Synthetic Bulk		1
<b>3</b>	S31027	Key, 3/16" x 1" Square		1
<b>4</b>	008721	Bracket, Up/Down Motor 3/4HP		1
<b>5</b>	F05007-7	Bolt, 3/8-16 x 1" Hex Head Cap		4
<b>6</b>	F05011-4	Washer, 3/8" Split Lock		8
<b>7</b>	F05011-3	Washer, 3/8" SAE Flat		4
<b>8</b>	F05007-118	Bolt, 3/8-16 x 3/4" Hex Head Grade 5		1
<b>9</b>	066781	Sheave, 5.45 OD 3/4 Bore 4L		1
<b>10</b>	S09579	Sheave, 1 3/4" Feed Motor		1
<b>11</b>	F05007-12	Screw, 3/8-16 x 1/2" SH Cup Pt Set		2
<b>12</b>	038459	Belt, 4L245 Notched		1
<b>13</b>	F05005-1	Bolt, 1/4-20 x 3/4" Full Thread HHCap		1

REF	PART #	DESCRIPTION	COMMENTS	QTY.
14		Magnetic Position Sensor Parts	<i>(See Section 6.3)</i>	
15	F05007-123	Bolt, 3/8-16 x 1 1/4" Hex Head Grade 5		3
16	F05011-14	Washer, 1/4" Split Lock		4
17	F05011-11	Washer, 1/4" SAE Flat		4
18	F05005-38	Screw, 1/4-20 x 1" Hex Head Cap		3
19	066797	Plate, LT35 Up/Down Mounting		1
20	066789	Plate, Up/Down Sprocket Support		1
21	066795	Plate, Up/Down Bearing Mount		1
22	F05007-64	Screw, 3/8-16 x 1" Zinc & Bake FSHC		5
23	F05006-22	Bolt, 5/16-18 x 1" FHS		2
24	066794	Sprocket, D40B14 x 1-1/8" Keyed Bore		1
25	F05005-131	Screw, 1/4-20 x 1/4" SH Cup Pt Set		1
	074932	Sprocket Assembly, D40B14 Idler		1
26	074931	Bearing, 6202-16mm-2RLD		2
27	074930	Sprocket, D40B14x1.376 Bore		1
28	066798	Bearing, 1-1/8 Bore R18-2Rs		1
29	066783	Pin Weldment, 5/8" x 2 3/4"		1
30	062526	Mount Weldment, LT35 Upper Chain		1
	062527	Tensioner Assembly, LT35 Up/Down Chain		1
31	062528	Tensioner Weldment, LT35 Up/Down Chain		1
32	F05011-2	Washer, 1/2" SAE Flat		2
33	016515	Spacer, Up/Down Chain Tensioner		1
34	016516	Spring, 1" OD x 1" Long x .125 Wire Comp		1
35	F05010-8	Nut, 1/2-13 Hex Nylon Lock		1
	074022	Chain, Double #40x 117 Pitches(58-1/2")		1
	017724	Link, #40 Double, Connecting		2
36	076152	<b>GUARD WELDMENT, LT35 UP/DOWN</b>		1
37	076153	<b>COVER WELDMENT, LT35 UP/DOWN GUARD</b>		1
38	F05005-134	<b>BOLT, 1/4-20 X 1/2" HEX HEAD</b>		7
39	F05010-9	<b>NUT, 1/4-20 KEPS</b>		1
40	P07584	<b>CLAMP, 1/2EMT COATED</b>		1
41	S04124	<b>KEY, 1/4" X 1 11/16"</b>		1

### 6.3 Magnetic Position Sensor Assembly



**CAUTION**  
Keep these bolts loose. Tightening these bolts can result in damage to encoder parts. ↓  
Wood-Miller Products, Inc.  
800-525-8100      Reorder #074269

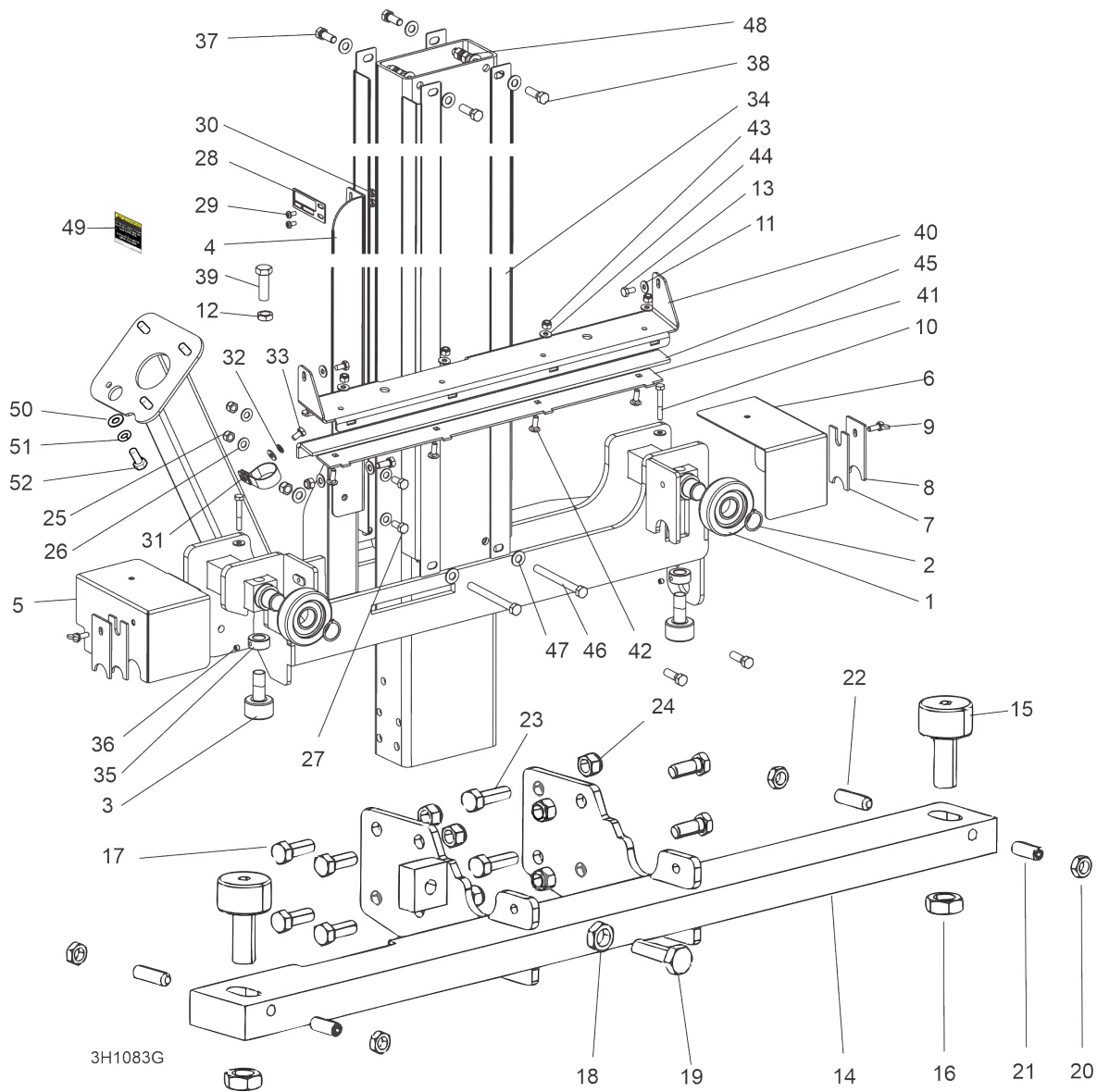
3H1142B

REF	PART #	DESCRIPTION	COMMENTS	QTY.
	053369	<b>SENSOR ASSEMBLY, MAGNETIC POSITION</b>		1
1	006864	Gasket, Encoder		1
2	053376	PCB Assembly, Encoder Sensor	Available in assemblies only.	1
3	053387	Sensor Kit, Magnetic Encoder		1
4	053399	Enclosure, Position Sensor		1
5	053400	Lens, LED T1 Clear		1
6	057853	Plate, SimpleSet Encoder Slide		1
7	061518	Plate, SimpleSet Encoder Mount		1
8	F05004-18	Screw, 10-24 x 5/8" Unsl Indent Hex Head Machine		2
9	F05004-49	Screw, #4-40 x 5/8" Sl Rnd Head Machine		2
10	F05010-160	Nut, 10-24 Hex Nylock		2
11	F05010-43	Nut, #4-40 Hex		2
12	F05011-18	Washer, #10 SAE Flat		4
13	F05011-21	Washer, #4 Split Lock		2
14	F05015-18	Bolt, #8-32 x 1/2" Sl Hex Head S		2
15	057852	Extension, SimpleSet Gearbox Shaft		1
16	F05005-131	Screw, 1/4-20 x 1/4" SH Cup Pt Set		1
17	049018	Bushing, Flange 1/4" ID x 1/4" Lg		1
18	F05006-5	Bolt, 5/16-18 x 3/4" Hex Head Cap		4

REF	PART #	DESCRIPTION	COMMENTS	QTY.
19	F05011-13	Washer, 5/16" Split Lock		4
20	F05011-17	Washer, 5/16" SAE Flat		4
21	057872	Plate, SimpleSet Mount		1
22	074269	Decal, Encoder Bolt Warning		1
23	065890	Magnet Assembly, Simple Set Encoder w/Hub		1

## SECTION 7 FEED SYSTEM & TRACK ROLLERS

### 7.1 Track Rollers And Wipers

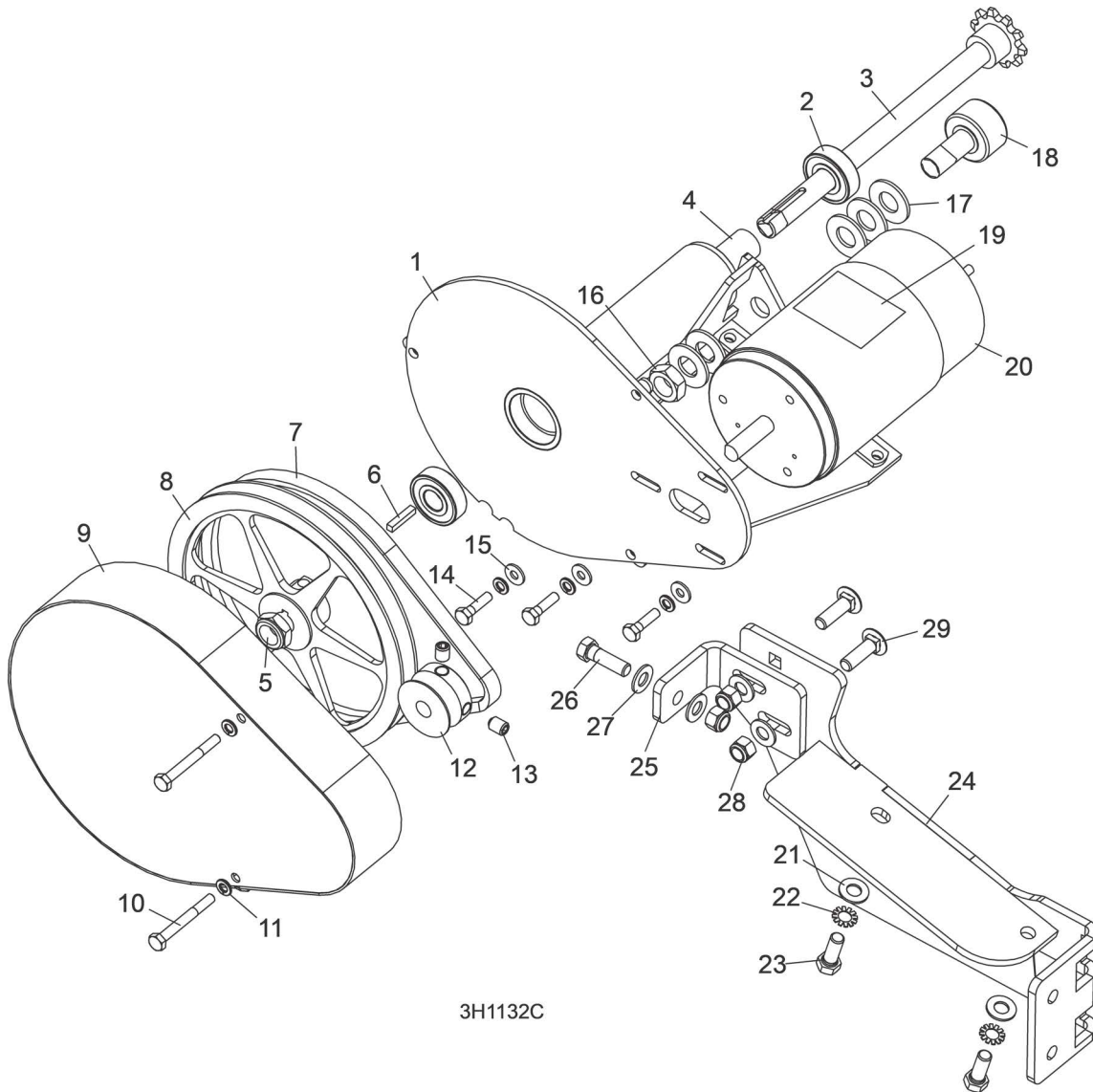


REF	PART #	DESCRIPTION	COMMENTS	QTY.
	062514	<b>UPRIGHT ASSEMBLY, LT35</b>		1
<b>1</b>	023857	Bearing, MG305DDA		2
<b>2</b>	F04254-15	Ring, 1" Outer Retaining		2
<b>3</b>	012797	Bearing, Cam Follower 1 1/2" (McGill)		2
<b>4</b>	062537	Plate, LT35 Pointer Mount		1
<b>5</b>	049342	Cover Weldment, Rear Bearing		1
<b>6</b>	049341	Cover Weldment, Front Bearing		1
<b>7</b>	M04113	Wiper, Top Rail		2
<b>8</b>	034229	Plate, Track Wiper		2
<b>9</b>	F05005-64	Stud, 1/4-20 x 5/8" Wing		2
<b>10</b>	F05005-68	Bolt, 1/4-20 x 1 3/4" Hex Head Grade 5		2
<b>11</b>	F05011-11	Washer, 1/4" SAE Flat		5

REF	PART #	DESCRIPTION	COMMENTS	QTY.
12	F05010-31	Nut, 1/2-13 Jam		1
13	F05005-137	Bolt, 1/4-20x5/8 HH Gr5		2
	057924	Bracket Assy, Lower Cam		1
14	057920	Bearing Weldment, Lower Cam		1
15	012797	Bearing, Cam Follower 1 1/2		2
16	F05010-11	Nut, 5/8-18 Hex Jam		2
17	F05007-87	Bolt, 3/8-16x1 Gr5 HH		6
18	F05010-31	Nut, 1/2-13 Zinc Jam		1
19	F05008-33	Bolt, 1/2-13x1 1/2 HH Gr5		1
20	F05010-22	Nut, 3/8-24 UNC Hex Jam		4
21	F05007-184	Screw, 3/8-24x1 SHFP Set SS		2
22	F05007-96	Screw, 3/8-24x1.25 Sh Flpt Stnls		2
23	F05007-123	Bolt, 3/8-16x 1 1/4 HH Gr5		2
24	F05010-10	Nut, 3/8-16 Hex Nyl Lock		8
25	F05010-58	Nut, 5/16-18 Nylok Hex		3
26	F05011-17	Washer, 5/16" SAE Flat		6
27	F05006-5	Bolt, 5/16-18 x 3/4" Hex Head		3
28	017778	Pointer, Scale Height		1
29	F05004-3	Bolt, #10-24 x 3/8" CrSI PH		2
30	F05010-14	Nut, #10-24 Keps		2
31	038482	Clamp, 1-1/4 Carbon Steel Conduit		1
32	F05011-14	Washer, 1/4" Split Lock		1
33	F05005-15	Bolt, 1/4-20 x 1/2" Hex Head		1
34	048614	Angle, LT28 Mast Tube Stainless		4
	P05035	Collar, 5/8" x 1-1/8" Lock		2
35	P05035-1	Collar, 5/8" x 1-1/8" Lock		1
36	F05005-105	Screw, 1/4-28 x 1/4" BO SH Cup Set		1
37	F05007-87	Bolt, 3/8-16 x 1" Hex Head Grade 5		2
38	F05007-123	Bolt, 3/8-16 x 1 1/4" Hex Head Grade 5		2
39	F05008-33	Bolt, 1/2-13 x 1 1/2" Hex Head Grade 5		1
	110614	Cover Assembly, LT28/35/70 Track		1
40	110610	Cover, Mid Track, LT28, LT35, LT70		1
41	110611	Retainer, Felt Oiler		1
42	F05005-113	Bolt, 1/4-20x3/4 Carriage		4
43	F05010-69	Nut, 1/4-20 Nylock		4
44	F05011-11	Washer, 1/4 SAE Flat		4
45	S09915	Felt, Middle Track Oiler LT40/50/70		1
46	F05007-92	Bolt, 3/8-16 x 4" HH Full Thread Grade 5		2
47	F05011-3	Washer, 3/8" SAE Flat		12
48	F05010-10	Nut, 3/8-16 Hex Nylon Lock		10
49	S11762	<b>DECAL, SAW HEAD UP/DOWN CAUTION</b>		1
50	F05011-17	Washer, 5/16 SAE Flat		4
51	F05011-13	Washer, 5/16 Split Lock		4
52	F05006-53	Bolt, 5/16-18x5/8 HH Gr2		4

## 7.2 Power Feed Assembly (2013-Present)

LT35 Rev. A4.00+  
 LT35HD Rev. A4.00+

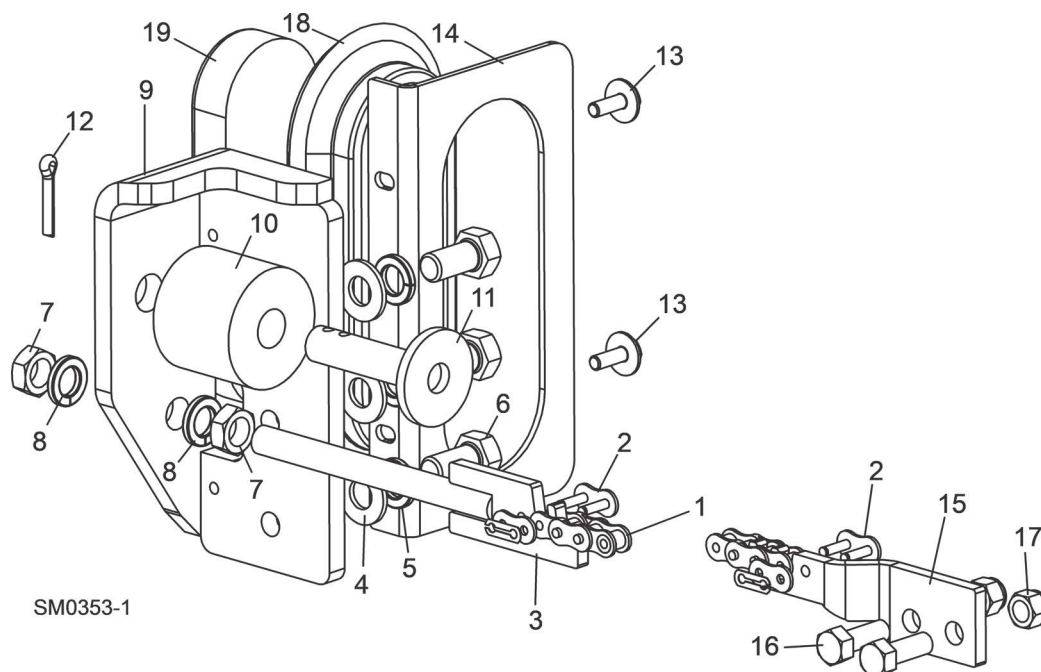


3H1132C

REF	PART #	DESCRIPTION	COMMENTS	QTY.
	066999	<b>POWER FEED ASSEMBLY, LT35</b>		1
	066990	Feed Assembly, LT35 Saw Head Power		1
1	066991	Mount Weldment, LT35 Power Feed		1
2	P06030-1	Bearing, 5/8" x 1.5748 x .4724		2
	079800	Shaft Upgrade, Power Feed		1
3	079798	Shaft Weldment, Power Feed, Threaded	Available in assemblies only.	1
4	079799	Spacer, Bearing, Power Feed		1
5	F05010-101	Nut, 5/8-18 Nyl Jam		1
6	S31027	Key, 3/16" Square x 1" Long		1
7	P04031	Belt, 4L280		1
8	P04343	Sheave, 8A x 5/8"		1
9	W11613	Cover Weldment, Power Feed		1

REF	PART #	DESCRIPTION	COMMENTS	QTY.
10	F05005-32	Screw, 1/4-20 x 2 1/4" Hex Head		2
11	F05011-14	Washer, 1/4" Split Lock		5
12	S09579	Shave, 1 3/4" Feed Motor		1
13	F05007-12	Screw, 3/8-16 x 1/2" SH Cup		2
14	F05005-101	Bolt, 1/4-20 x 1" Hex Head Grade 5		1
15	F05011-11	Washer, 1/4" SAE Flat		3
16	F05010-11	Nut, 5/8-18 Hex Jam		1
17	F05011-5	Washer, 5/8" SAE Flat		6
18	012797	Bearing, Cam Follower 1 1/2"		1
19	024431	Decal, Disconnect Motor Leads Warning		1
20	006747	Motor, 1/2HP 12VDC		1
	061794	Brush Kit, 12V Motor		1
21	F05011-3	Washer, 3/8" Sae Flat		2
22	F05011-36	Washer, 3/8" Star External		2
23	F05007-82	Bolt, 3/8-16 x 1" Hex Head Grade 8		2
24	066995	Mount Weldment, Power Feed Motor		1
25	066998	Plate, Power Feed Drive		1
26	F05007-123	Bolt, 3/8-16 x 1 1/4" Hex Head Grade 5		1
27	F05011-3	Washer, 3/8" Sae Flat		4
28	F05010-10	Nut, 3/8-16 Hex Nylon Lock		3
29	F05007-127	Bolt, 3/8-16 x 1 1/4" Carriage Head Grade 5		2

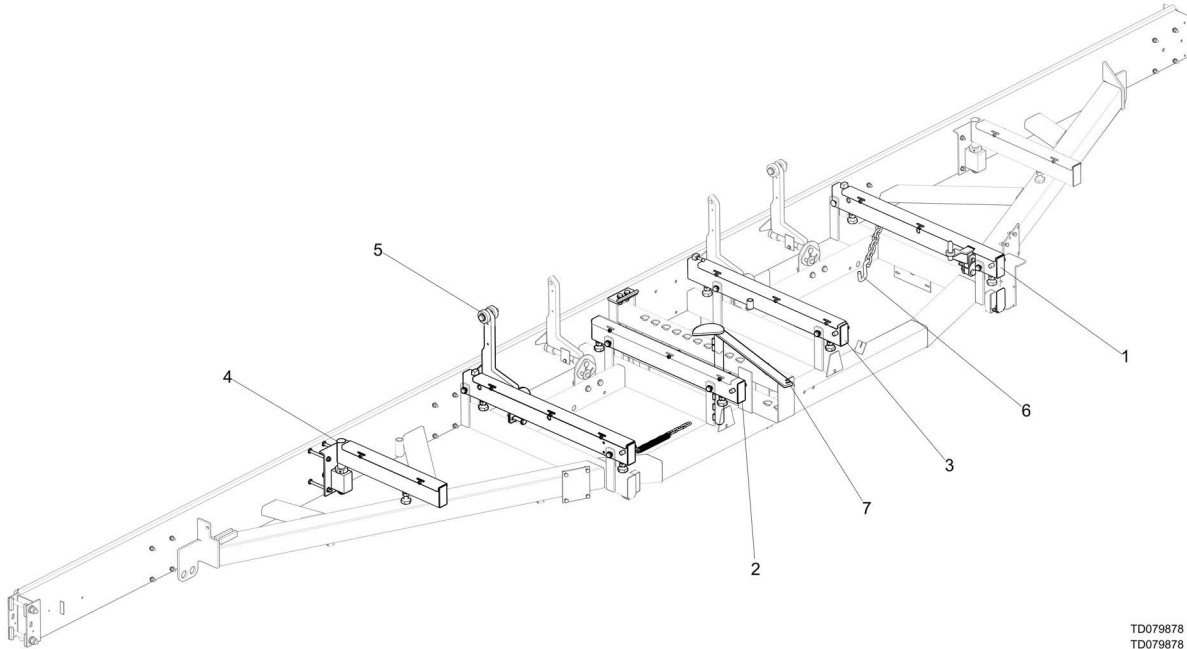
### 7.3 Feed Chain/Stop



REF	PART #	DESCRIPTION	COMMENTS	QTY.
1	014745	CHAIN, #40 X 267.5" LT40 FEED		1
2	P04200	LINK, #40 MASTER		2
3	015721	TENSIONER WELDMENT, POWER FEED CHAIN		1
4	F05011-2	WASHER, 1/2" SAE FLAT		3
5	F05011-9	WASHER, 1/2" SPLIT LOCK		3
6	F05008-128	BOLT, 1/2-13 X 1" HEX HEAD GRADE 8		3
7	F05010-16	NUT, 1/2-20 HEX JAM		2
8	F05011-9	WASHER, 1/2" SPLIT LOCK		2
9	006686	BRACKET WELDMENT, REAR FEED STOP		1
	K09630	STOP KIT, RUBBER CARRIAGE		2
10	P12165	Stop, Rubber Carriage		1
11	W09293	Pin, Rubber Carriage Stop		1
12	F05012-21	Pin, 3/16" X 1" Cotter		1
13	F05005-134	BOLT, 1/4-20 X 3/4" WITH CONICAL WASHER		1
14	057822	PLATE, BED TUBE END W/LIGHT MOUNT		1
15	015008	BRACKET, FRONT FEED CHAIN MOUNT		1
16	F05007-87	BOLT, 3/8-16 X 1" HEX HEAD GRADE 5		2
17	F05010-10	NUT, 3/8-16 HEX NYLON LOCK		2
18	006688	GROMMET, 6 1/2" LIGHT MOUNTING		1
19	006391	LIGHT, 8 DIODE LED TAIL		1

# SECTION 8 BED FRAME ASSEMBLY

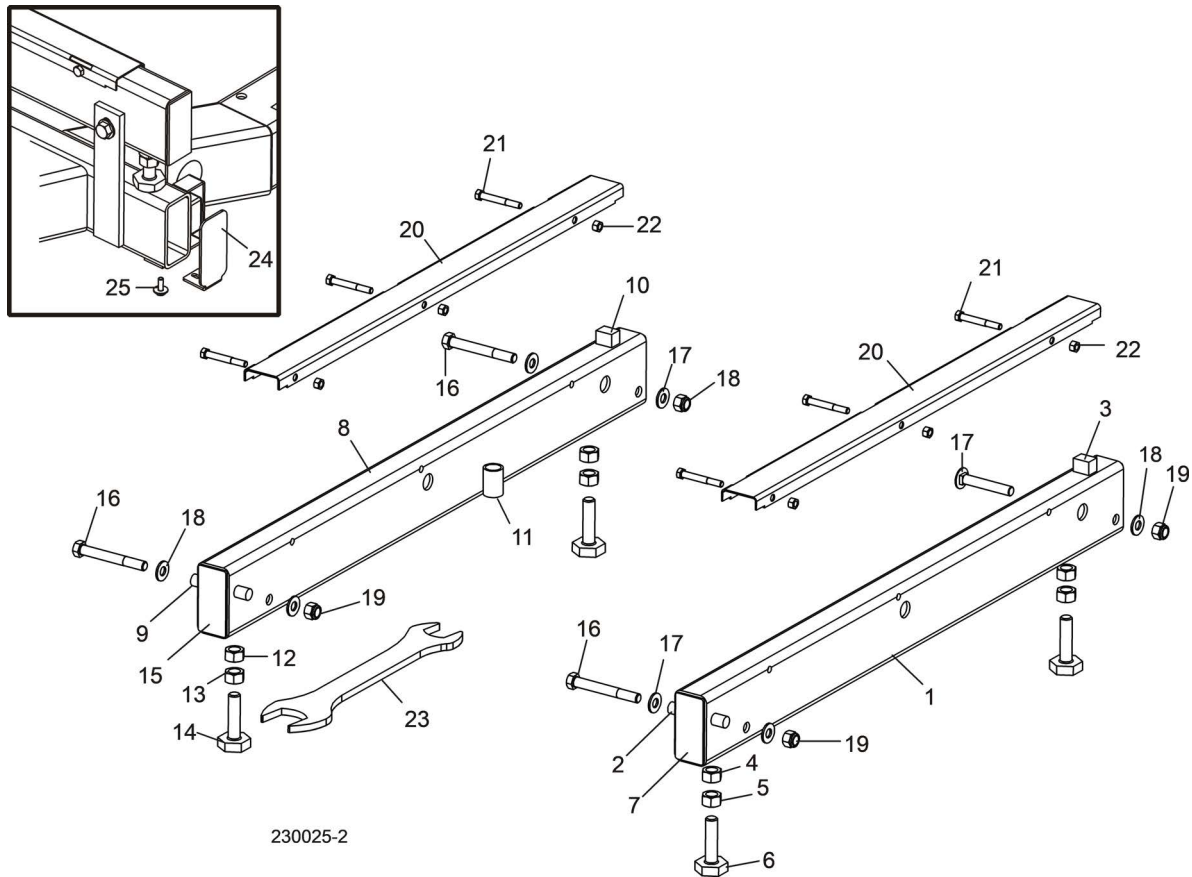
## 8.1 Bed Frame



TD079878  
TD079878

REF	PART #	DESCRIPTION	COMMENTS	QTY.
	079878	<b>ASSY, LT35 MANUAL INT'L STATIONARY BED</b>		1
1		Bed Rail Assembly, Front And Rear	<a href="#">(See Section 8.2)</a>	1
2		Bed Rail Assembly, Middle Front	<a href="#">(See Section 8.3)</a>	1
3		Bed Rail Assembly, Middle Rear	<a href="#">(See Section 8.4)</a>	1
4		Pivot Bed Rail Assembly	<a href="#">(See Section 8.6)</a>	1
5		Log Side Support Assembly	<a href="#">(See Section 8.7)</a>	4
6		Safety Chain Assembly	<a href="#">(See Section 8.8)</a>	1
7		Log Clamp	<a href="#">(See Section 8.12)</a>	1

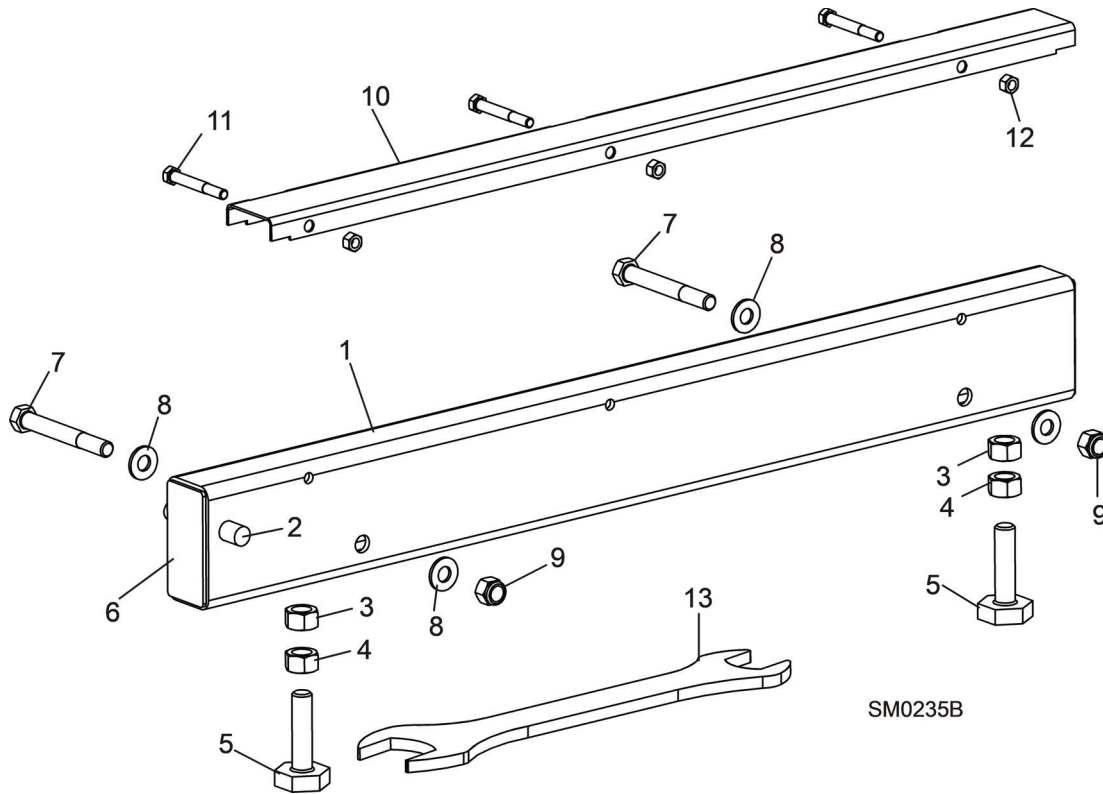
## 8.2 Bed Rail Assembly, Front And Rear



REF	PART #	DESCRIPTION	COMMENTS	QTY.
	A09774	<b>BED RAIL ASSEMBLY, REAR PAINTED</b>		1
1	S09102	Bed Rail Tube, Long	Available in assemblies only.	1
2	S04030	Pin, Ramp Mount		1
3	S09034	Block, Log Stop		1
4	F05010-84	Nut, 5/8-11 Pilot Weld		2
5	F05010-5	Nut, 5/8-11 Hex		2
6	S13006	Bolt, Bed Rail Adjustment		2
7	S04058	Plate, Bed Rail End Cap	Available in assemblies only.	2
	A09564	<b>BED RAIL ASSEMBLY, FRONT PAINTED</b>		1
8	S09102	Bed Rail Tube, Long	Available in assemblies only.	1
9	S04030	Pin, Ramp Mount		1
10	S09034	Block, Log Stop		1
11	S09334	Tube, Ramp Retainer Mount	Available in assemblies only.	1
12	F05010-84	Nut, 5/8-11 Pilot Weld		2
13	F05010-5	Nut, 5/8-11 Hex		2
14	S13006	Bolt, Bed Rail Adjustment		2
15	S04058	Plate, Bed Rail End Cap	Available in assemblies only.	2
16	F05008-78	<b>BOLT, 1/2-13 X 4" HEX HEAD GRADE 5</b>		3
17	F05008-94	<b>BOLT, 1/2-13 X 3 1/2" CARRIAGE</b>	Used on rear bed rail to allow clearance for optional side support rollers.	1
18	F05011-2	<b>WASHER, 1/2" SAE FLAT</b>		7

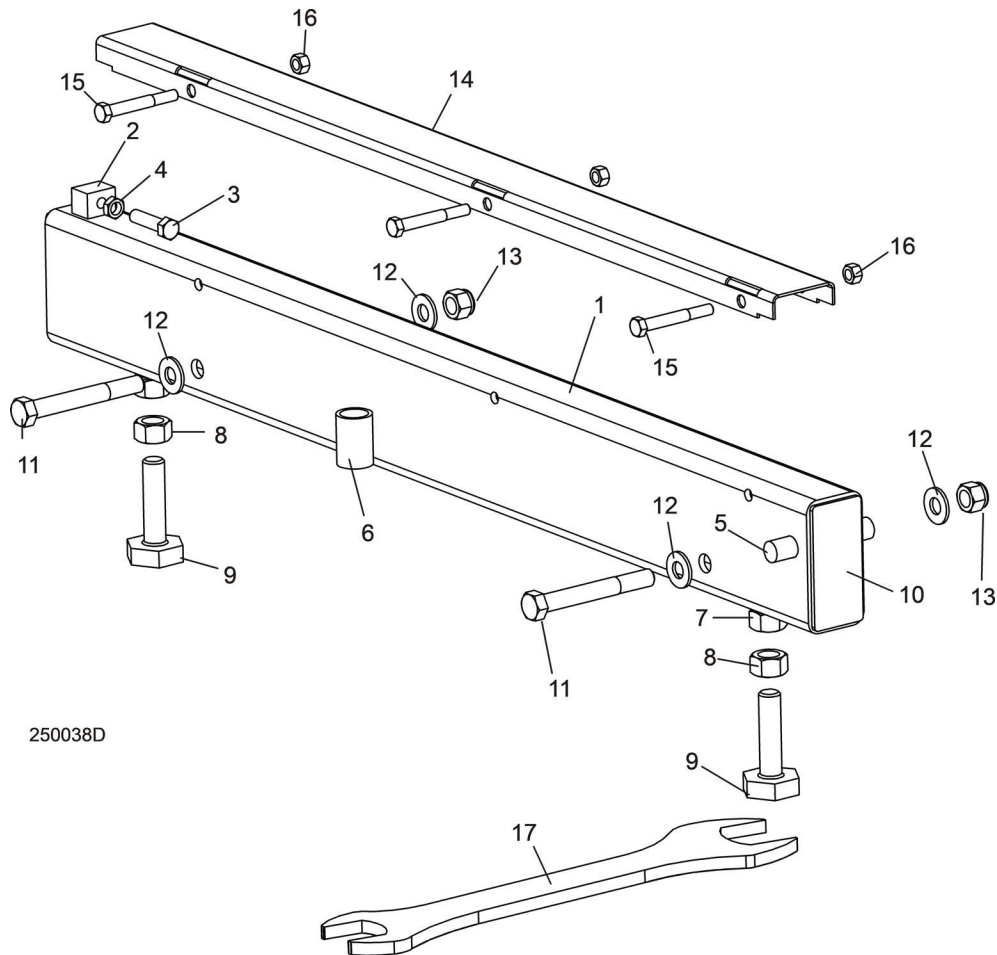
REF	PART #	DESCRIPTION	COMMENTS	QTY.
<b>19</b>	F05010-8	<b>NUT, 1/2-13 NYLON LOCK</b>		4
	079144	<b>COVER KIT, FRONT/REAR BED RAIL SS</b>		2
<b>20</b>	016898	Cover, Stainless Steel Bed Rail		1
<b>21</b>	F05006-10	Bolt, 5/16-18 X 2 1/2" Hex Head		3
<b>22</b>	F05010-6	Nut, 5/16-18 Hex Lock		3
<b>23</b>	015970	<b>WRENCH, BED RAIL ADJUSTMENT</b>		1
<b>24</b>	038843	<b>CAP, BED RAIL REMOVABLE END</b>		2
<b>25</b>	F05005-134	<b>BOLT, 1/4-20 X 3/4" W/CONICAL WASHER HEAD</b>		2

### 8.3 Bed Rail Assembly, Middle Front



REF	PART #	DESCRIPTION	COMMENTS	QTY.
	A09566	<b>BED RAIL ASSEMBLY, FRONT MIDDLE</b>		1
1	S09103	Bed Rail Tube, Short	Available in assemblies only.	1
2	S04030	Pin, Ramp Mount		1
3	F05010-84	Nut, 5/8-11 Pilot Weld		2
4	F05010-5	Nut, 5/8-11 Hex		2
5	S13006	Bolt, Bed Rail Adjustment		2
6	S04058	Plate, Bed Rail End Cap	Available in assemblies only.	2
7	F05008-78	<b>BOLT, 1/2-13 X 4" HEX HEAD GRADE 5</b>		2
8	F05011-2	<b>WASHER, 1/2" SAE FLAT</b>		4
9	F05010-8	<b>NUT, 1/2-13 NYLON LOCK</b>		2
	A09956	<b>COVER ASSEMBLY, STAINLESS STEEL BED RAIL (LONG)</b>		1
10	S09944	Cover, Stainless Steel Bed Rail	Available in assemblies only.	1
11	F05006-10	Bolt, 5/16-18 X 2 1/2" Hex Head		3
12	F05010-6	Nut, 5/16-18 Hex Lock		3
13	015970	<b>WRENCH, BED RAIL ADJUSTMENT</b>		1

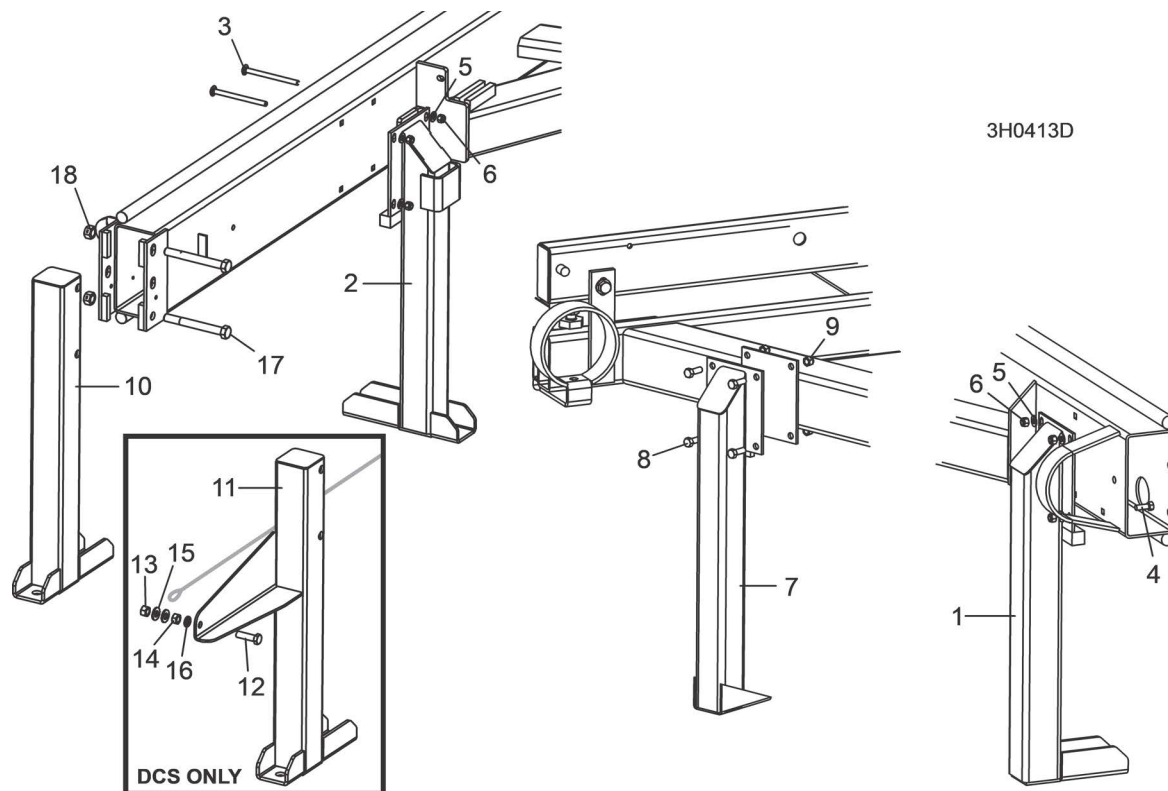
## 8.4 Bed Rail Assembly, Middle Rear



250038D

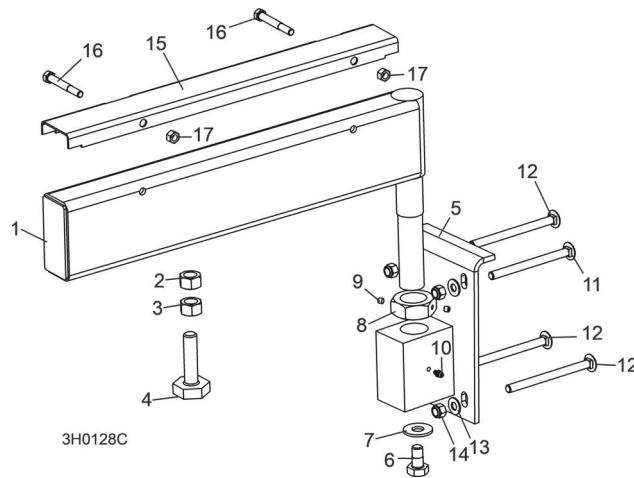
REF	PART #	DESCRIPTION	COMMENTS	QTY.
	A09565	<b>BED RAIL ASSEMBLY, REAR MIDDLE</b>		1
1	014640	Bed Rail Tube, Short	Available in assemblies only.	1
2	014639	Block, Log Stop w/Threaded Hole	Available in assemblies only.	1
3	F05007-17	Bolt, 3/8-16 x 1 1/2 Full Thead Hex Head		1
4	F05010-29	Nut, 3/8-16 Hex Jam		1
5	S04030	Pin, Ramp Mount		1
6	S09334	Tube, Ramp Retainer Mount	Available in assemblies only.	1
7	F05010-84	Nut, 5/8-11 Pilot Weld		2
8	F05010-5	Nut, 5/8-11 Hex		2
9	S13006	Bolt, Bed Rail Adjustment		2
10	S04058	Plate, Bed Rail End Cap	Available in assemblies only.	2
11	F05008-78	<b>BOLT, 1/2-13 X 4" HEX HEAD GRADE 5</b>		2
12	F05011-2	<b>WASHER, 1/2" SAE FLAT</b>		4
13	F05010-8	<b>NUT, 1/2-13 NYLON LOCK</b>		2
	A09956	<b>COVER ASSEMBLY, STAINLESS STEEL BED RAIL (LONG)</b>		1
14	S09944	Cover, Stainless Steel Bed Rail	Available in assemblies only.	1
15	F05006-10	Bolt, 5/16-18 X 2 1/2" Hex Head		3
16	F05010-6	Nut, 5/16-18 Hex Lock		3
17	015970	<b>WRENCH, BED RAIL ADJUSTMENT</b>		1

## 8.5 Leg Assembly



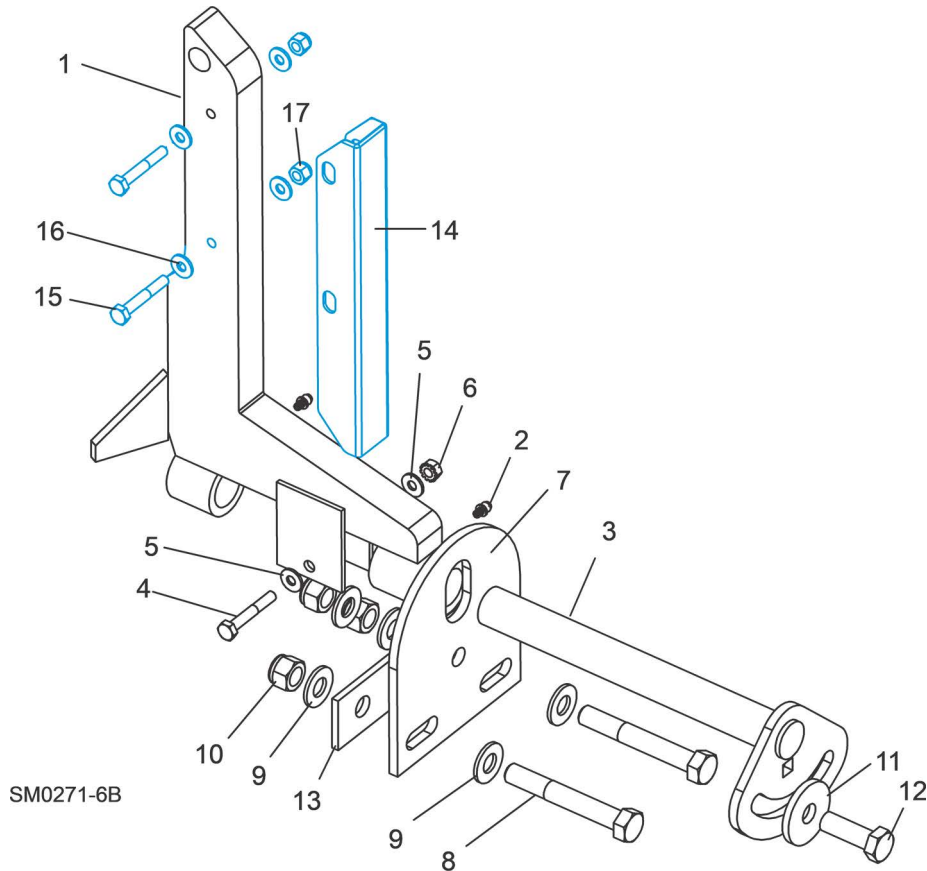
REF	PART #	DESCRIPTION	COMMENTS	QTY.
		<a href="#">See Form #847</a> or diagram below for stationary sawmill foot anchor locations		
		<a href="#">See Form #359</a> for stationary sawmill w/bed extension foot anchor locations		
1	W09513	<b>LEG, LONG STATIONARY</b>		3
2	015091	<b>LEG, LONG STATIONARY W/BOARD RETURN TABLE BRACKET</b>		1
3	F05007-113	<b>BOLT, 3/8-16 X 5" CARRIAGE HEAD</b>		12
4	F05007-2	<b>BOLT, 3/8-16 X 1 1/4" HEX HEAD</b>		4
5	F05011-3	<b>WASHER, 3/8" SAE FLAT</b>		16
6	F05010-10	<b>NUT, 3/8-16 HEX NYLON LOCK</b>		16
7	W09515	<b>LEG, SHORT STATIONARY</b>		2
8	F05007-2	<b>BOLT, 3/8-16 X 1 1/4" HEX HEAD</b>		8
9	F05010-10	<b>NUT, 3/8-16 HEX NYLON LOCK</b>		8
10	W09517	<b>LEG, FRONT STATIONARY</b>		1
11	065935	Leg Weldment, Festoon Stationary Front		1
12	F05008-88	Bolt, 1/2-13 x 1 3/4" Full Thread Hex Head Grade 5		1
13	F05010-3	Nut, 1/2-13 Swaged Hex		1
14	F05010-35	Nut, 1/2-13 Free Hex		1
15	F05011-2	Washer, 1/2" SAW Flat		2
16	F05011-9	Washer, 1/2" Split Lock		1
17	F05009-11	<b>BOLT, 5/8-11 X 5 1/2" HEX HEAD GRADE 5</b>		2
18	F05010-4	<b>NUT, 5/8-11 HEX LOCK</b>		2

## 8.6 Pivot Bed Rail Assembly



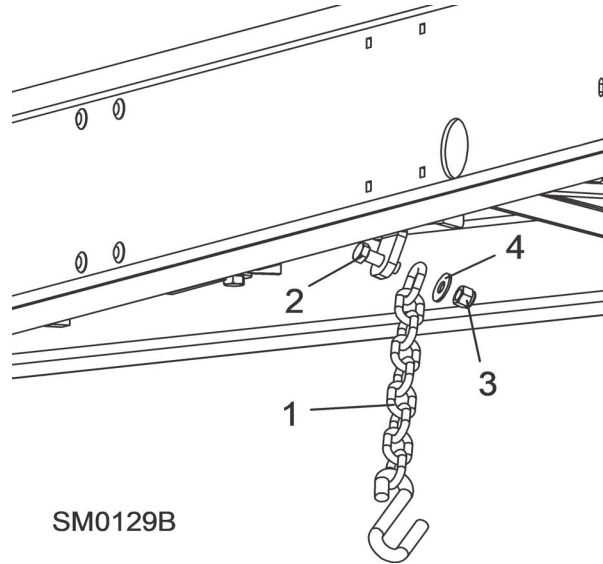
REF	PART #	DESCRIPTION	COMMENTS	QTY.
	A13015	<b>PIVOT BED RAIL ASSEMBLY</b>		
1	W13014	Pivot Bed Rail Weldment	Available in assemblies only.	1
2	F05010-84	Nut, 5/8-11 Pilot Weld		2
3	F05010-5	Nut, 5/8-11 Hex		2
4	S13006	Bolt, Bed Rail Adjustment		2
5	W13090	Bracket, Pivot Rail Mounting		1
6	F05008-50	Bolt, 1/2-13 x 1" Hex Head Grade 2		1
7	F05011-52	Washer, 9/16" SAE Flat		1
8	S13016	Nut, Pivot Rail Adjustment		1
9	F05005-42	Screw, 1/4-28 x 1/4" Brass Tip Set		2
10	P04107	Fitting, 3/16" Grease		1
11	F05007-114	<b>BOLT, 3/8-16 X 4 3/4" CARRIAGE HEAD</b>		2
12	F05007-113	<b>BOLT, 3/8-16 X 5" CARRIAGE HEAD</b>		6
13	F05011-3	<b>WASHER, 3/8" SAE FLAT</b>		8
14	F05010-10	<b>NUT, 3/8-16 NYLON LOCK</b>		8
	017710	<b>COVER KIT, PIVOT RAIL STAINLESS STEEL</b>		2
15	S13012	Cover, Stainless Steel Pivot Bed Rail ( )		1
16	F05006-10	Bolt, 5/16-18 X 2 1/2" Hex Head		2
17	F05010-6	Nut, 5/16-18 Hex Lock		2
	015970	<b>WRENCH, BED RAIL ADJUSTMENT</b>	<i>(See Section 6.1)</i>	1

## 8.7 Log Side Support Assembly (Manual)



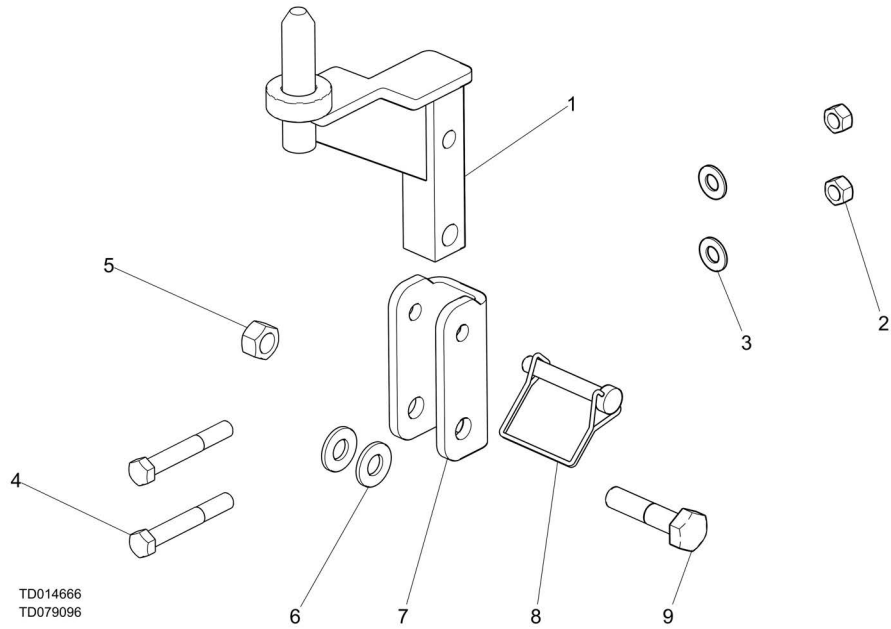
REF	PART #	DESCRIPTION	COMMENTS	QTY.
	034554	Support Assembly, Side, Manual		
1	015235	Support, Log Side		2
2	P04107	Fitting, 3/16" Grease		2
3	016544	Pin, Log Side Support Pivot		1
4	F05005-4	Bolt, 1/4-20 X 1 1/2" Hex Head Grade 5		1
5	F05011-11	Washer, 1/4" SAE Flat		2
6	F05010-9	Nut, 1/4-20 Self Locking		1
7	016555	Plate, Log Side Support End		1
8	F05008-61	Bolt, 1/2-13 X 3 1/2" Hex Head Grade 5		2
9	F05011-2	Washer, 1/2" SAE Flat		5
10	F05010-8	Nut, 1/2-13 Hex Nylon Lock		3
11	014632	Washer, .52" x 1.69"		1
12	F05008-33	Bolt, 1/2-13 X 1 1/2" Hex Head Grade 5		1
13	016558	Plate, Side Support Washer Clamp		1
	016562	Roller Kit, Side Support		4
	016798	Guard Kit, Stainless Steel Side Support	<b>(OPTIONAL)</b>	1
14	016722	Guard, Stainless Steel Side Support		4
15	F05005-4	Bolt, 1/4-20 x 1 3/4" Hex Head		8
16	F05011-11	Washer, 1/4" SAE Flat		16
	F05011-5	Washer, 5/8" SAE Flat	Added or extra spacing on the optional roller supports	4
17	F05010-69	Nut, 1/4-20 Hex Nylon Lock		8
	016798-1005	Instruction Sheet,		1

## 8.8 Safety Chain Assembly



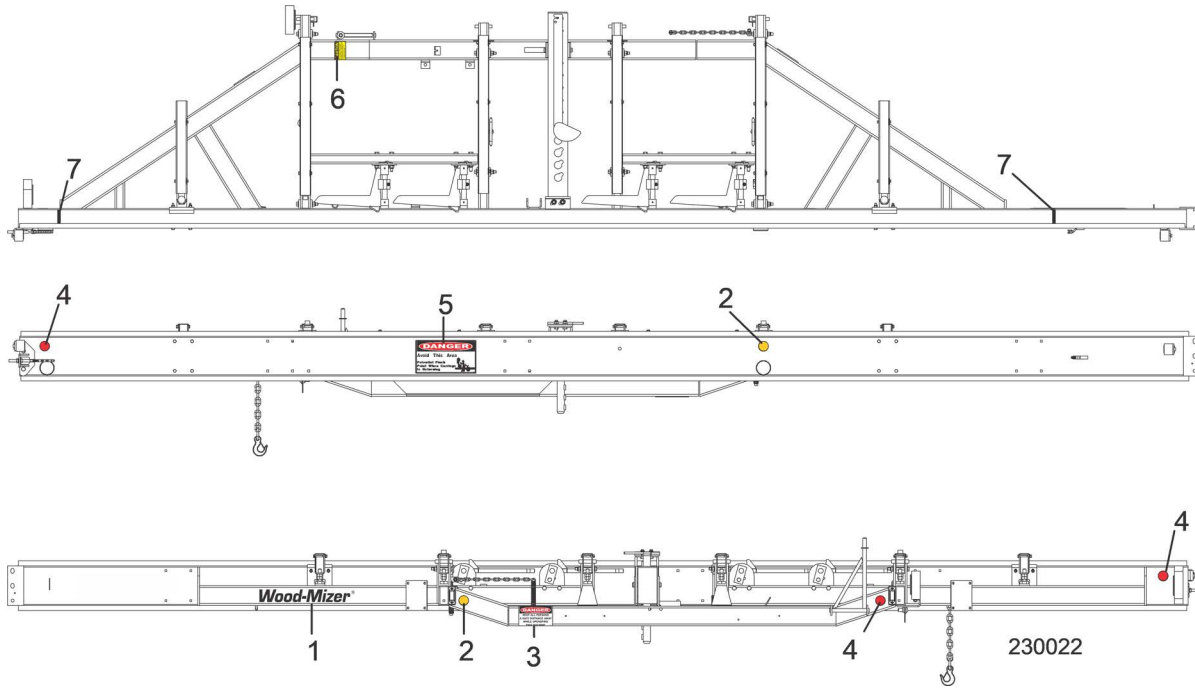
REF	PART #	DESCRIPTION	COMMENTS	QTY.
1	107972	CHAIN, 15 INCH SAFETY		1
2	F05008-33	BOLT, 1/2-13X1 1/2 HEX HEAD GRADE 5		1
3	F05010-8	NUT, 1/2-13 NYLON HEX LOCK		1
4	F05011-35	WASHER, 7/16 STANDARD FLAT		1

## 8.9 Rest Pin Assembly



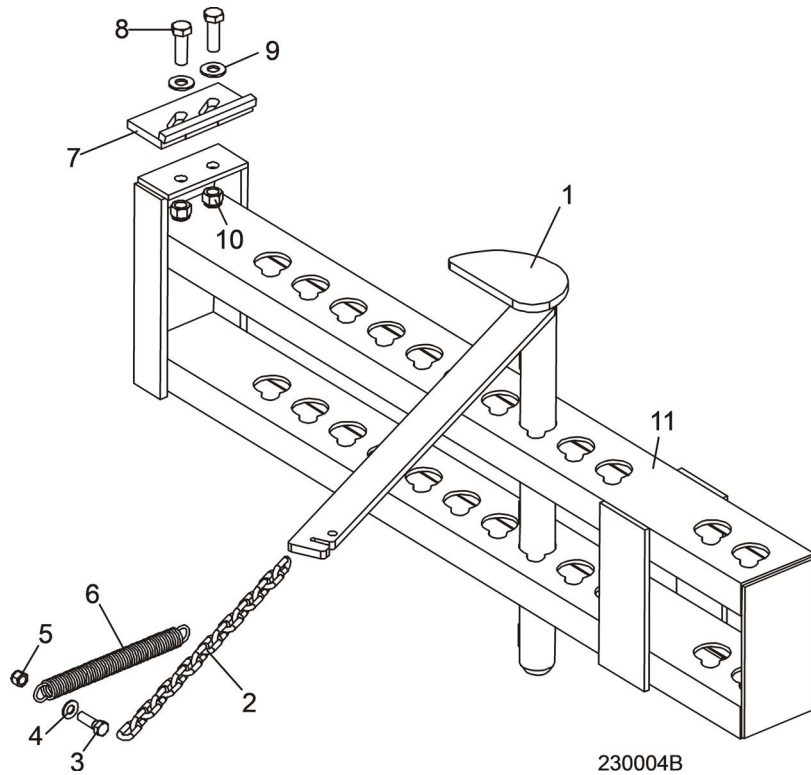
REF	PART #	DESCRIPTION	COMMENTS	QTY.
	079096	Pin Assy, Rest, Manual		1
1	074980	Pin Wldmt, C-Frame Rest, Manual		1
2	F05010-25	Nut, 3/8-16 Swaged		2
3	F05011-3	Washer, 3/8 Flat SAE		2
4	F05007-206	BOLT, 3/8-16X2 3/4 HH Gr5		2
5	F05010-3	NUT, 1/2-13 SWAGED HEX		1
6	F05011-2	Washer, 1/2 SAE Flat		2
7	110557	Bracket, Rest Pin Mount		1
8	014151	Pin, 3/8x2 1/4 SQ Wire Lock		1
9	F05008-10	Bolt, 1/2-13x2 1/4 Hex Head GR5		1

### 8.10 Bed Frame Decals



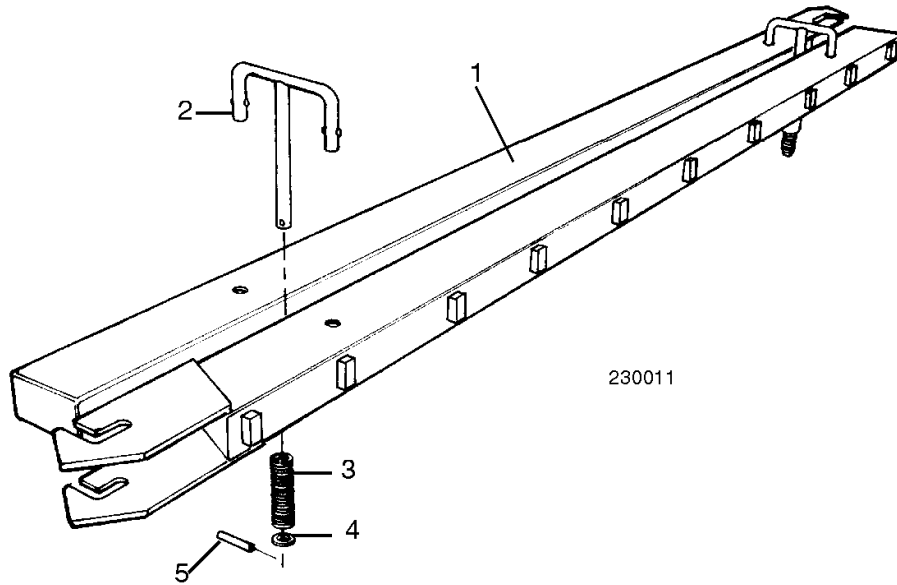
REF	PART #	DESCRIPTION	COMMENTS	QTY.
1	S12281	DECAL, WOOD-MIZER LOGO		1
2	P07453	DECAL, AMBER REFLECTIVE 2" ROUND		2
3	S09851	DECAL, KEEP AWAY DANGER		1
4	P07452	DECAL, RED REFLECTIVE 2" ROUND		3
5	P10287	DECAL, PINCH POINT DANGER		1
6	S12581	DECAL, SAW HEAD REST CAUTION		1
7	S12051	DECAL, LOG LIMIT STRIPE		2

## 8.11 Log Clamp



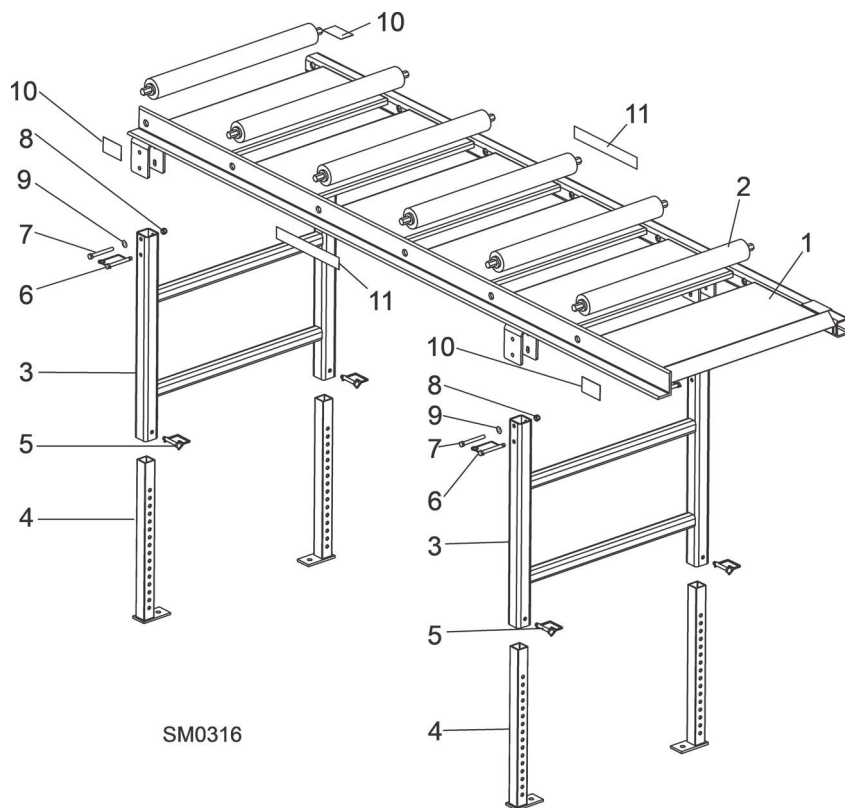
REF	PART #	DESCRIPTION	COMMENTS	QTY.
1	W09412	CLAMP, LOG		1
2	M04311	CHAIN, LOG CLAMP		1
3	F05007-2	BOLT, 3/8-16 X 1 1/4" HEX HEAD GRADE 2		1
4	F05011-3	WASHER, 3/8" STANDARD FLAT		2
5	F05010-10	NUT, 3/8-16 HEX NYLON LOCK		1
6	P09136	SPRING, LOG CLAMP CHAIN		1
7	W09404	PLATE, LOG CLAMP STOP		1
8	F05008-33	BOLT, 1/2-13 X 1 1/2" HEX HEAD GRADE 5		2
9	F05011-2	WASHER, 1/2" SAE FLAT		2
10	F05010-8	NUT, 1/2-13 HEX NYLON LOCK		2
11	W09310	CHANNEL WELDMENT, MANUAL LOG CLAMP		1

## 8.12 Log Loading Ramps



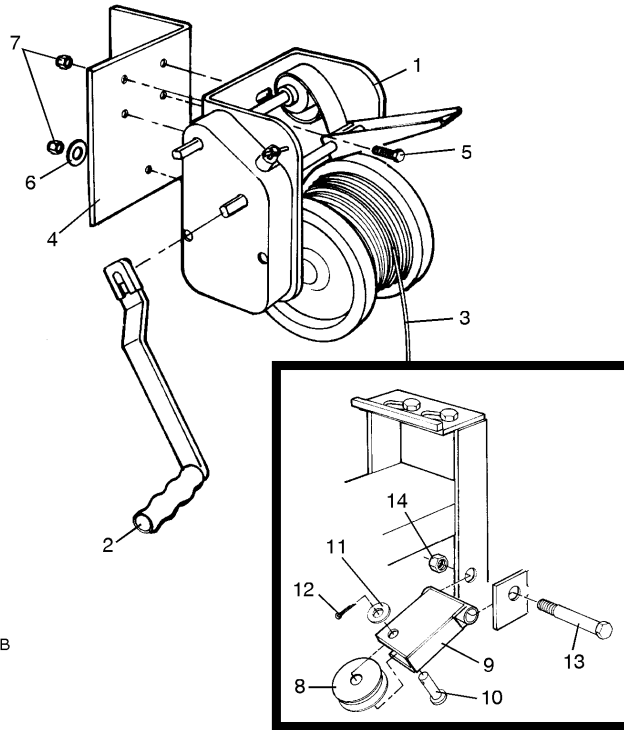
REF	PART #	DESCRIPTION	COMMENTS	QTY.
	K09466	<b>RAMP KIT, LOG LOADING WITH RETAINERS</b>		1
1	W09014	Ramp, Log Loading		2
	K09810	Retainer Kit, Log Ramp		2
2	W09413	Retainer, Log Ramp	Available in assemblies only.	1
3	P09335	Spring, Log Ram Retainer		1
4	F05011-19	Washer, 5/8" I.D. x .100" Thick Nylon		1
5	F05012-11	Pin, 3/16" x 1" Roll		1

### 8.13 Board Outfeed Table (Optional)



REF	PART #	DESCRIPTION	COMMENTS	QTY.
	016652	<b>TABLE ASSEMBLY, BOARD OUTFEED</b>		1
<b>1</b>	016606	Table Weldment, Board Outfeed		1
<b>2</b>	038167	Roller, 2 1/2" x 25"		6
<b>3</b>	016609	Mount Weldment, Outfeed Table Leg		2
<b>4</b>	016651	Leg Weldment, Outfeed Table		4
<b>5</b>	014151	Pin, 3/8" x 2 1/4" Square Wire Lock		4
<b>6</b>	016677	Pin, Snap - Coil Tension		4
<b>7</b>	F05007-135	Bolt, 3/8-16 x 3 1/4" Hex Head		4
<b>8</b>	F05010-10	Nut, 3/8-16 Hex Nylon Lock		4
<b>9</b>	S12641	Decal, Hand Pinch Point Warning		4
<b>10</b>	016991	Decal, 1 1/2" Wood-Mizer Logo		2

### 8.14 Manual Winch (Optional)

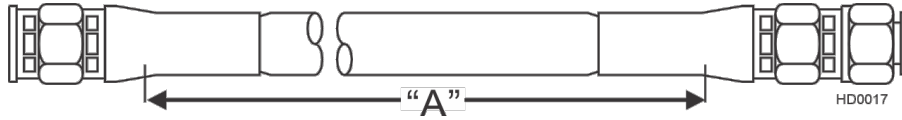


SM0005B

REF	PART #	DESCRIPTION	COMMENTS	QTY.
	MW-A	<b>MANUAL WINCH ASSEMBLY</b>		1
1	P12323	Winch, Manual 3500lb	Available in assemblies only.	1
2	P04487	Handle, Manual Winch		1
3	P05087	Cable, Manual Winch 7/32" Dia. X 50' Long		1
4	S12321	Bracket, Winch Mount		1
5	F05007-11	Bolt, 3/8-16 X 1 1/4" Carriage		5
6	F05011-3	Washer, 3/8" Flat		1
7	F05010-10	Nut, 3/8-16 Hex Lock		5
8	S09393	Pulley, Winch Cable Guide		1
9	W09429	Bracket, Winch Cable Guide Pulley		1
10	F05012-24	Pin, 1/2" X 1 27/64" Clevis		1
11	F05011-2	Washer, 1/2" Sae Flat		1
12	F05012-1	Pin, 1/8" X 1" Cotter		1
13	F05009-8	Bolt, 5/8-11 X 4" Hex Head Full Thread		1
14	F05010-34	Nut, 5/8-11 Nylon Lock		1

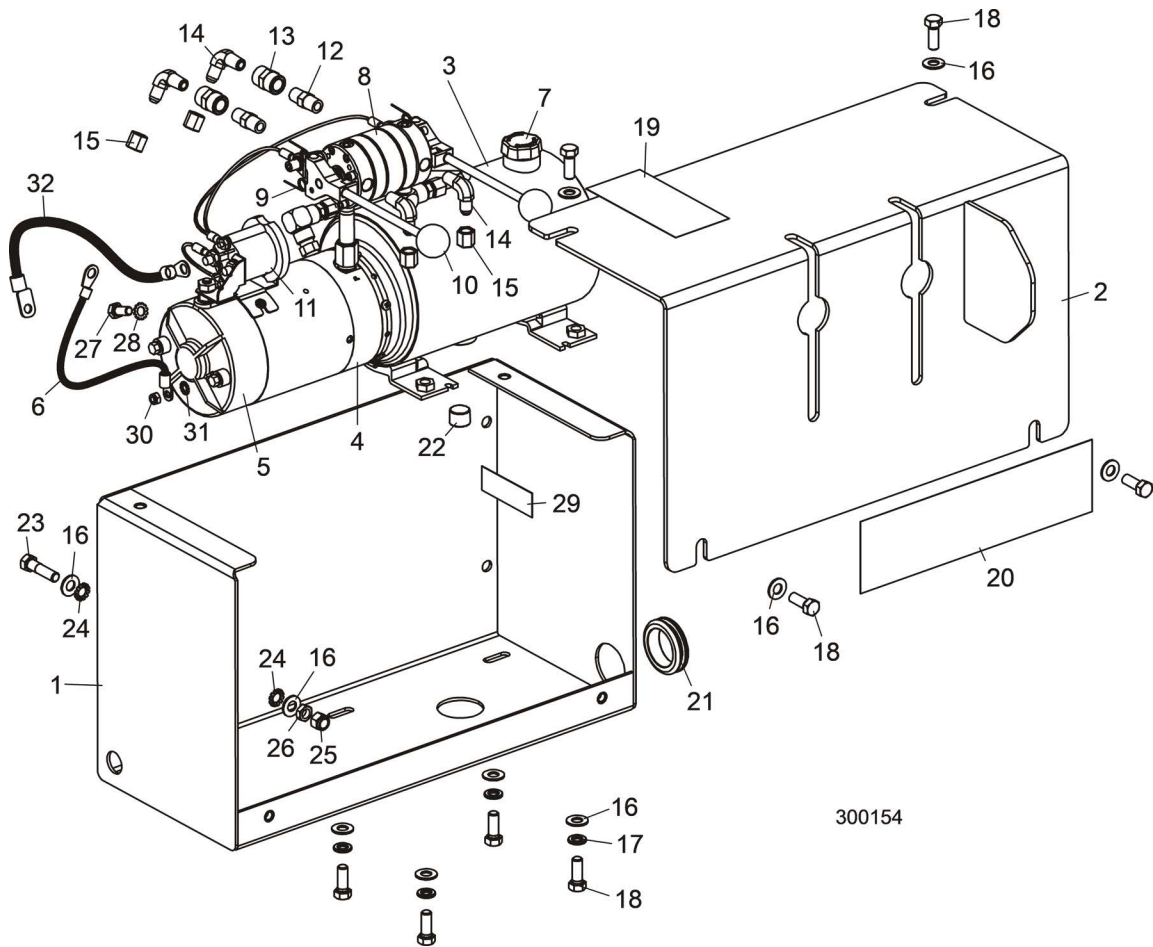
## SECTION 9 BED HYDRAULIC SYSTEM (OPTIONAL)

### 9.1 Hydraulic Hoses



COLOR	LENGTH "A"	DESCRIPTION (NOTE: See Hydraulic Information Section in Operator's Manual for Hydraulic Schematics)	PART #	QTY.
Green	62"	<b>LOADING ARM BRANCH TOP</b>	079000-62	2
Yellow	64"	<b>LOADING ARM BRANCH BASE</b>	079000-64	2
Blue	148"	<b>LOADING ARM TOP</b>	079000-148	1
Red	158"	<b>LOADING ARM BOTTOM</b>	079000-158	1
Plain	27"	<b>LOG TURNER BASE</b>	079000-27	1
Orange	18"	<b>LOG TURNER TOP</b>	079000-18	1
Plain	220"	<b>SIDE SUPPORT TOP</b>	079000-220	1
Pink	206"	<b>SIDE SUPPORT BASE</b>	079000-206	1

## 9.2 Hydraulic Loader/Turner Control Box (Optional)

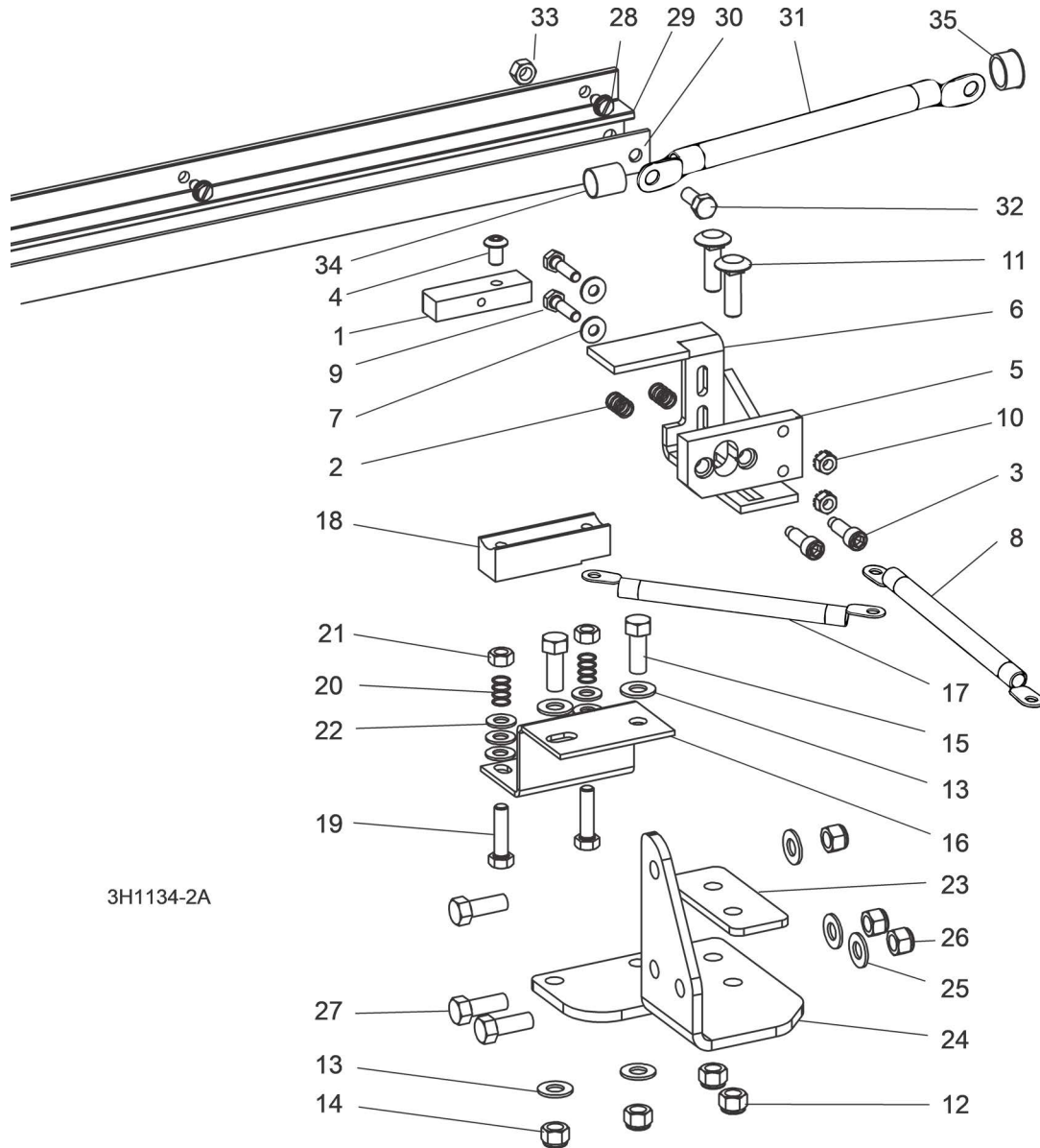


REF	PART #	DESCRIPTION	COMMENTS	QTY.
	025717	<b>BOX ASSEMBLY, HYDRAULIC DUAL FUNCTION CONTROL</b>		1
1	025716	Box Weldment, Hydraulic Dual Function Control		1
2	025714	Cover Weldment, Hydraulic Dual Function Control		1
3	025713	Pump/Valve Assembly, Hydraulic Dual Function #M-500 4W/4W		1
4		Pump, Hydraulic Replacement Monarch Model #12171-250		1
	052807	Motor Kit, Hydraulic Replacement		1
5	038683	Motor, 12 VDC Hydraulic Pump #08714 (Iskra)	Available in assemblies only.	1
	038682	Brush Kit, 4-Valve Hydraulic Pump Motor #08658-1 (Iskra)		1
	P12513	Bearing, Base Motor #02318		1
6	052806	Wire Assembly, Motor Brush Ground		1
7	P09596	Cap, Hydraulic Pump Vented Fill #01143		1
8		Valve Assembly, 4-Way Monarch #19760		2
9	025818	Spring, Hydraulic Pump Valve Contact #00015		4
10		Handle Assembly, Hydraulic Pump Valve #		2

**9** **Bed Hydraulic System**  
*Hydraulic Loader/Turner Control Box (Optional)*

REF	PART #	DESCRIPTION	COMMENTS	QTY.
	P09753	Spring, Hydraulic Pump Valve Handle #00018		2
11		Solenoid, 12 VDC Motor Starter #17744		1
12	P05389	Fitting, 1/4" NPT Hex Nipple		2
13	P03420	Fitting, 1/4" NPT Coupling		2
14	P09142	Fitting, 1/4" NPT x 1/4" JIC Male Elbow		4
15	016815	Fitting, 1/4" JIC Cap		4
16	F05011-3	Washer, 3/8" SAE Flat		10
17	F05011-4	Washer, 3/8" Split Lock		4
18	F05007-87	Bolt, 3/8-16 X 1" Hex Head Grade 5		8
19	P12961	Decal, Keep Away Hydraulic Warning		1
20	036720	Decal, Hydraulic Logo		1
21	043405	Grommet, 1 1/2" x 3/16"		1
22	P26258	Fitting, 1/2" NPT Plug		1
23	F05007-78	Bolt, 3/8-16 x 1 1/2" Hex Head Grade 5		1
24	F05011-36	Washer, 3/8" External Star Lock		2
25	F05010-10	Nut, 3/8-16 Hex Nylon Lock		1
26	F05010-29	Nut, 3/8-16 Hex Jam		1
27	F05006-5	Bolt, 5/16-18 x 3/4" Hex Head		1
28	F05011-33	Washer, 5/16" External Star Lock		1
29	S12825	Decal, Hydraulic Fluid		1
30	F05010-200	Nut, M6-1.0 Hex Nylon Lock		1
31	F05011-37	Washer, 1/4" Exterior Star Lock		1
32		Cable Assembly, 10" Pump To Solenoid		1
	P12742	<b>FLUID, 1-QUART DEXRON III HYDRAULIC</b>		4
	006397	<b>FLUID, 1-GALLON CONOCO MV32</b>		1
	P12822	<b>FLUID, 1-GALLON EXXON UNIVIS HVI 13 HYDRAULIC</b>		1

### 9.3 Hydraulic Power Supply Strip (Optional)

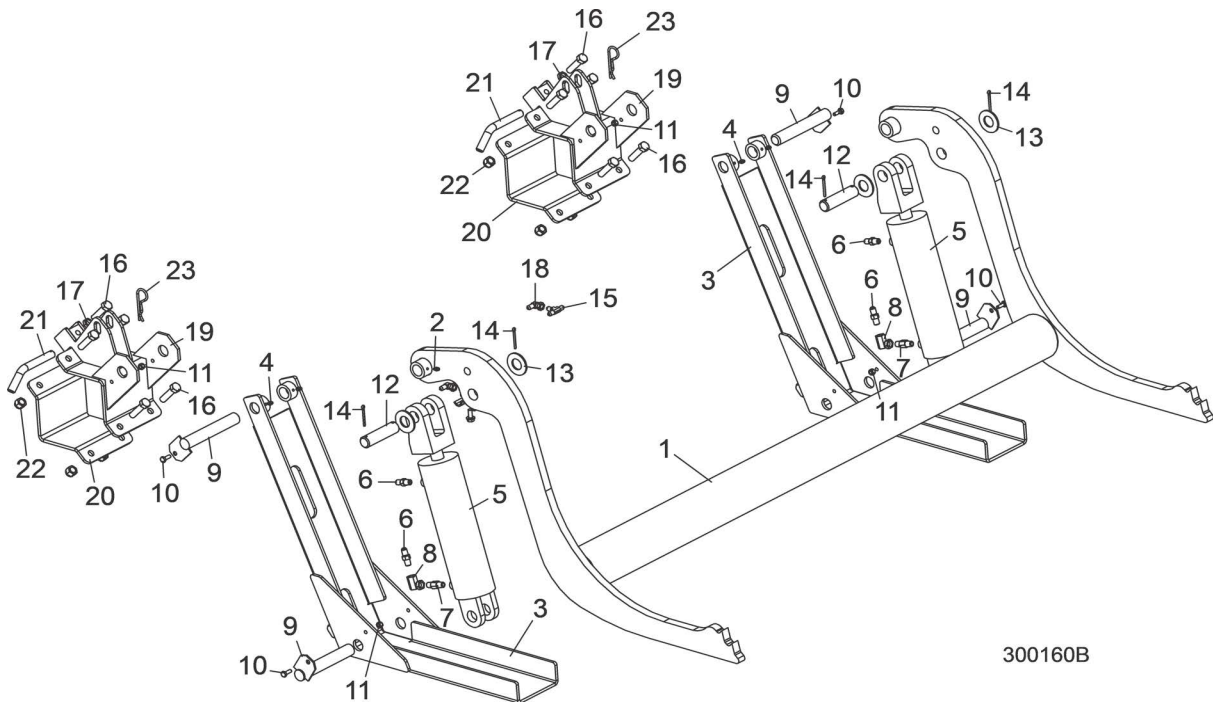


REF	PART #	DESCRIPTION	COMMENTS	QTY.
	010103	<b>CONTACT ASSEMBLY, HYDRAULIC POWER SUPPLY (POSITIVE)</b>		1
	007716	Contact Kit, 97+ Hydraulic Power Supply Positive		1
1	015253	Contact, Hydraulic Power Supply (Positive)	Available in assemblies only.	1
2	P10077	Spring, Positive Contact		2
3	F05006-143	Bolt, 5/16" x 3/4" Shoulder (1/4-20 Thread) Stainless		2
4	F05006-20	Bolt, 5/16-18 x 1/2" Socket Button Head		1
5	S10072	Insulator, Positive Contact		1
6	015324	Bracket, Positive Contact Mounting		1
7	F05011-11	Washer, 1/4" SAE Flat		2
8	128088	Cable Assy, 1AWG Red x13 (2x5/16 Term)		1
9	F05005-38	Bolt, 1/4-20 x 1" Hex Head Grade 2		2

**9 Bed Hydraulic System**  
*Hydraulic Power Supply Strip (Optional)*

REF	PART #	DESCRIPTION	COMMENTS	QTY.
10	F05010-9	Nut, 1/4-20 Hex Self-Locking		2
11	F05007-11	Bolt, 3/8-16 x 1 1/4" Carriage Head		2
12	F05010-10	Nut, 3/8-16 Hex Nylon Lock		2
	065081	<b>CONTACT ASSEMBLY, LT35 HYDRAULIC POWER SUPPLY (GROUND)</b>		1
13	F05011-3	Washer, 3/8" SAE Flat		4
14	F05010-10	Nut, 3/8-16 Hex Nylon Lock		2
15	F05007-7	Bolt, 3/8-16 x 4" Square Head		2
16	016792	Bracket, Ground Contact Mounting		1
17	036306	Cable Assy, 1AWG Blk x26 (2x5/16 Term)		1
	007717	Contact Kit, Hydraulic Ground 1997+		1
18	015264	Contact, Hydraulic Power Supply (Ground)	Available in assemblies only.	1
19	F05008-96	Bolt, 5/16-18 x 1 1/2" Hex Head Grade 5		2
20	P10077	Spring, Ground Contact		2
21	F05010-17	Nut, 5/16-18 Hex		2
22	F05011-17	Washer, 5/16" SAE Flat		6
23	025964	<b>PLATE, LT35 POSITIVE CONTACT SPACER</b>		1
24	059636	<b>PLATE, LT35 CONTACT MOUNT</b>		1
25	F05011-3	<b>WASHER, 3/8" SAE FLAT</b>		3
26	F05010-10	<b>NUT, 3/8-16 HEX NYLON LOCK</b>		3
27	F05007-7	<b>BOLT, 3/8-16x1 HHC</b>		3
	A11977	<b>STRIP ASSEMBLY, 6 FT. CONTACT</b>		1
28	F05015-1	Bolt, 1/4-20 x 1/2" Self Tap HH		2
29	P11976	Housing, Contact Strip		1
	A12043-N	Strip, Hydraulic Contact w/Cable		1
30	S10075	Strip, 1/8" x 1" x 69-13/16" Contact	Available in assemblies only.	1
31	052161	Cable Assy, 1AWG Blk x36 (2x5/16 Term)		1
32	F05006-45	Screw, 5/16-18 x 3/4" Black Nylon HHC		1
33	F05010-86	Nut, 5/16-18 Black Nylon Hex		1
34	R01950-8	Tubing, 5/8" Heat Shrink w/Adhesive ID		1
	A12043-406	Instruction Sheet, Strip Replacement		1
35	P04137	Grommet, 5/8" Wire		1

## 9.4 Hydraulic Log Loader (Optional)



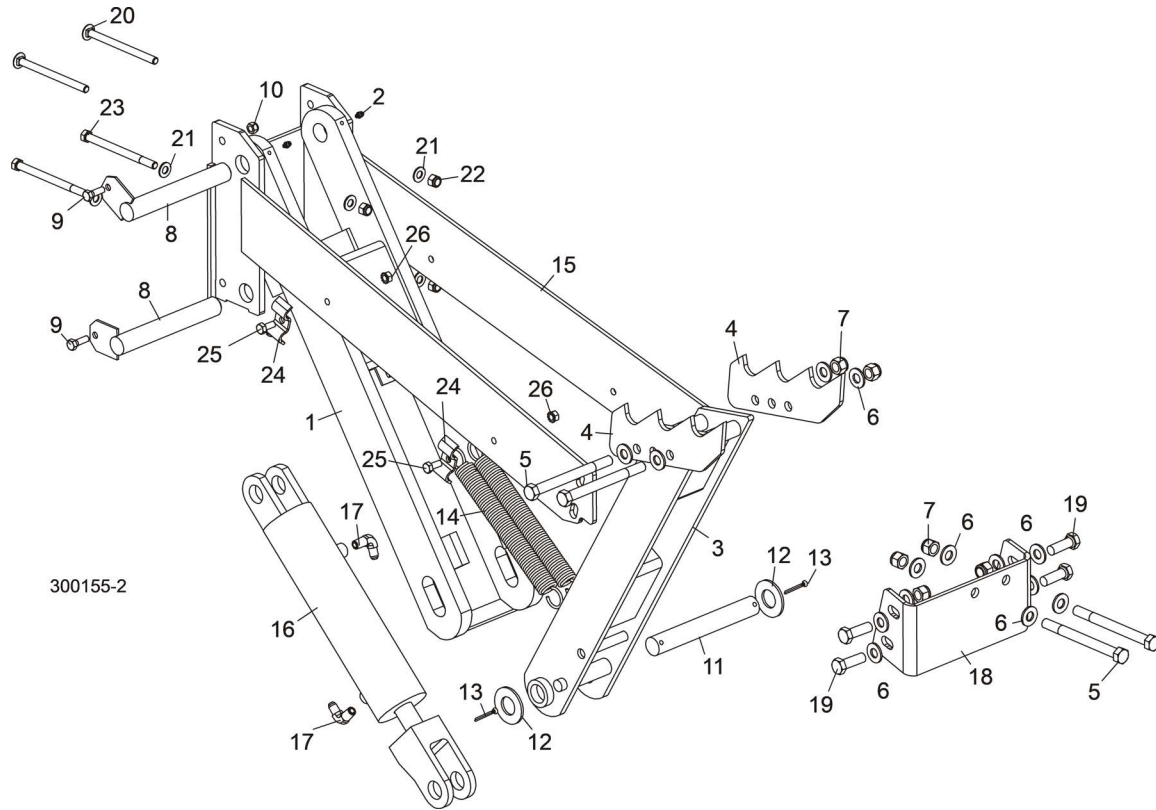
REF	PART #	DESCRIPTION	COMMENTS	QTY.
1	036722	<b>ARM, HYDRAULIC LOG LOADING</b>		1
2	P04107	Fitting, 3/16" Grease		2
3	W09444	<b>CHANNEL, HYDRAULIC LOG LOADING FOOT</b>		2
4	P04107	Fitting, 3/16" Grease		4
	A09284	<b>CYLINDER ASSEMBLY, HYDRAULIC LOG LOADING ARM</b>	Available in assemblies only.	2
5	P12847	Cylinder, 8" X 3" Hydraulic		1
	P12956	Seal Kit, 8" x 3" Hydraulic Cylinder		1
6	P09143	Fitting, C5205x4x4 Male Connector		2
7	P12199	Fitting, 0455x4x4 90° Swivel Elbow		1
	015832	Fitting Kit, 1/4NPT 5.0GPM Velocity Fuse		1
8	015750	Fitting, 1/4NPT 5.0GPM Velocity Fuse	Available in assemblies only.	2
	015832-255	Instruction Sheet, Velocity Fuse Replacement		1
9	W09446	<b>PIN, LOADING ARM MOUNT</b>		4
10	F05006-27	<b>BOLT, 5/16-18 X 1 GR 5 HH</b>		4
11	F05010-58	<b>NUT, 5/16-18 NYL LOCK</b>		4
12	S09251	<b>PIN, LOADING ARM CYLINDER MOUNT</b>		2
13	F05011-28	<b>WASHER, 1" SAE FLAT</b>		4
14	F05012-23	<b>PIN, 3/16" X 1 1/2" COTTER</b>		4
15	P09145	<b>FITTING, C5705X5X4 UNION 'T'</b>		2
16	F05008-116	<b>BOLT, 1/2-13 X 2" HEX HEAD FULL THREAD GRADE 5</b>		10
17	F05010-31	<b>NUT, 1/2-13 JAM</b>		2

**9** **Bed Hydraulic System**  
*Hydraulic Log Loader (Optional)*

---

<b>R</b>	<b>PART #</b>	<b>DESCRIPTION</b>	<b>COMMENTS</b>	<b>QTY.</b>
18	036715	FITTING, 1/4" JIC X 1/4" JIC ELBOW		2
19	048270	MOUNT WELDMENT, LOADER ARM		2
20	036737	PLATE WELDMENT, LOADER ARM MOUNT		2
21	038472	PIN ASSEMBLY, 3/8" X 3" WIRE LOCK		2
22	F05010-8	NUT, 1/2-13 HEX NYLON LOCK		8

## 9.5 Hydraulic Log Turner (Optional)

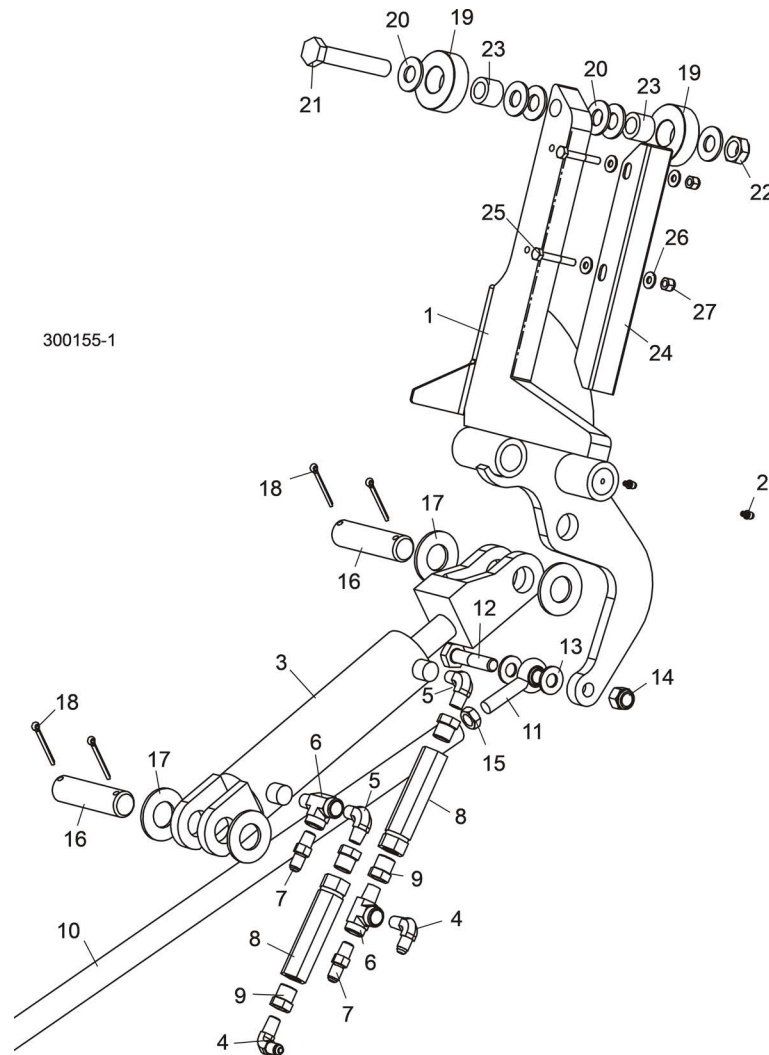


REF	PART #	DESCRIPTION	COMMENTS	QTY.
	007069	<b>ARM ASSEMBLY, MANUAL MILL HYDRAULIC TURNER</b>		1
1	015231	Arm, Hydraulic Log Turner Link		1
2	P04107	Fitting, 3/16" Grease		2
3	015233	Arm, Hydraulic Log Turner Painted		1
4	014675	Claw, Hydraulic Log Turner		2
5	F05008-28	Bolt, 1/2-13 X 5 1/2" Hex Head Grade 5		4
6	F05011-2	Washer, 1/2" SAE Flat		16
7	F05010-8	Nut, 1/2-13 Hex Nylon Lock		8
8	015085	Pin, Log Turner Mount		2
9	F05006-27	Bolt, 5/16-18 x 1 Gr 5 HH		2
10	F05010-58	Nut, 5/16-18 Hex Nylon Lock		2
11	S09246	Pin, Log Turner Pivot		1
12	F05011-28	Washer, 1" SAE Flat		2
13	F05012-23	Pin, 3/16" X 1 1/2" Cotter		2
14	015718	Spring, Hydraulic Log Turner		2
15	006999	Mount Weldment, Manual Mill Hydraulic Log Turner		1
	A09286	Cylinder Assembly, Hydraulic Log Turner		1
16	P12846	Cylinder, 8" X 2 1/2" Hydraulic	Available in assemblies only.	1
	P12955	Seal Kit, 8" x 2 1/2" Hydraulic Cylinder		1

**9** **Bed Hydraulic System**  
*Hydraulic Log Turner (Optional)*

REF	PART #	DESCRIPTION	COMMENTS	QTY.
17	P09142	Fitting, 1/4" NPT x 1/4" JIC 90° Male Elbow		2
18	007048	Plate, Manual Mill Hydraulic Log Turner Mount		1
19	F05008-33	Bolt, 1/2-13 x 1 1/2" Hex Head Grade 5		4
20	F05007-113	Bolt, 3/8-16 x 5" Carriage Head		2
21	F05011-3	Washer, 3/8" SAE Flat		6
22	F05010-10	Nut, 3/8-16 Hex Nylon Lock		4
23	F05007-5	Bolt, 3/8-16 x 5" Hex Head		2
24	S09245	Plate, 1/4" Hose Clamp		2
25	F05006-102	Bolt, 5/16-18 x 3/4" Hex Head Grade 5		2
26	F05010-20	Nut, 5/16-18 Hex Self-Locking		2

## 9.6 Hydraulic Log Side Supports (Optional)

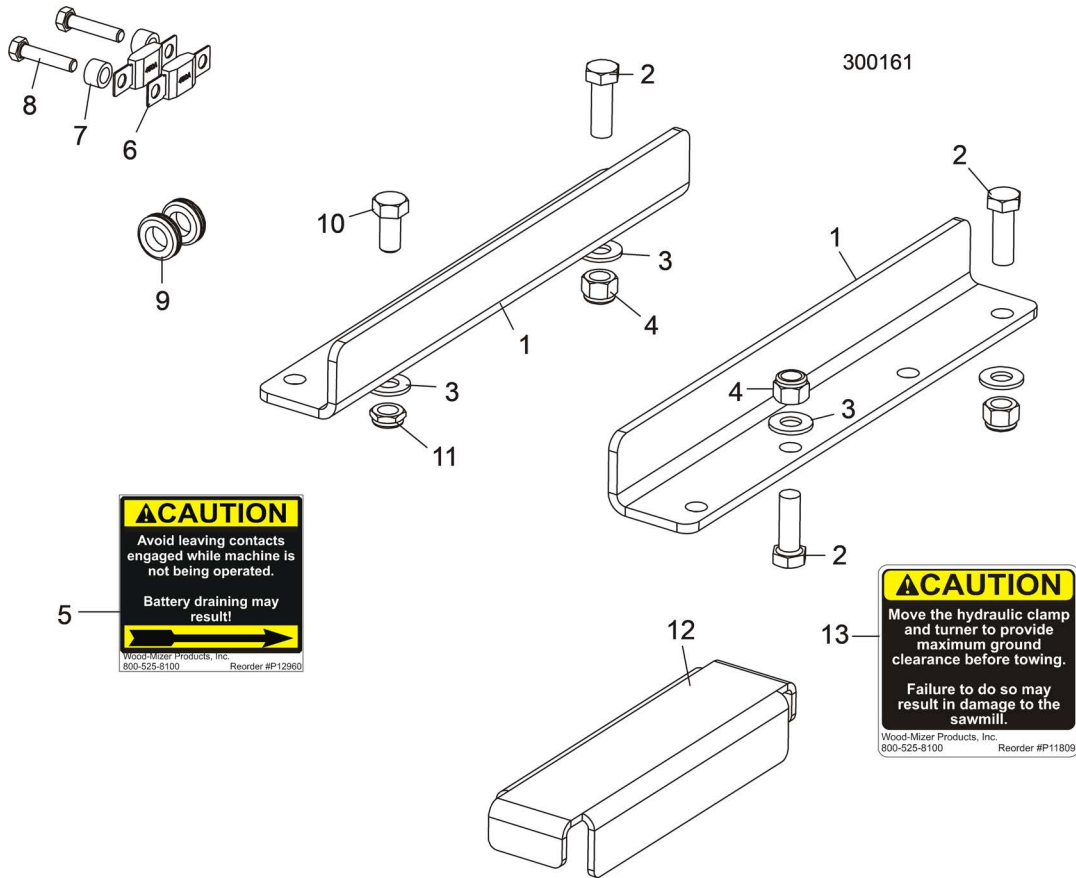


REF	PART #	DESCRIPTION	COMMENTS	QTY.
1	W12339	<b>SUPPORT, HYDRAULIC LOG SIDE</b>		2
2	P04107	Fitting, 3/16" Straight Grease		2
	A09283	<b>CYLINDER ASSEMBLY, HYDRAULIC LOG SIDE SUPPORT</b>		1
3	P12845	Cylinder, 6" X 2" Hydraulic		1
	P12954	Seal Kit, 6" x 2" Hydraulic Cylinder		1
4	P09142	Fitting, 1/4" NPT x 1/4" JIC 90° Male Elbow		2
5	P09140	Fitting, 1/4" NPT 90° Male Elbow		2
6	P09141	Fitting, 1/4" NPT x 1/4" JIC Male Run 'T'		2
7	P09143	Fitting, 1/4" NPT x 1/4" JIC Male Connector		2
8	015484	Valve, Hydraulic Sequence		2
9	015490	Fitting, 3/8" NPT - 1/4" NPT Reducer		4
10	015026	<b>ROD, HYDRAULIC SIDE SUPPORT LINK</b>		1
11	P09137	<b>END, 1/2" ROD</b>		2
12	F05008-10	<b>BOLT, 1/2-13 X 2 1/4" HEX HEAD GRADE 5</b>		2
13	F05011-2	<b>WASHER, 1/2" SAE FLAT</b>		4
14	F05010-8	<b>NUT, 1/2-13 HEX NYLON LOCK</b>		2
15	F05010-16	<b>NUT, 1/2-20 HEX JAM</b>		1

**9** **Bed Hydraulic System**  
*Hydraulic Log Side Supports (Optional)*

REF	PART #	DESCRIPTION	COMMENTS	QTY.
16	S09251	<b>PIN, CYLINDER MOUNT</b>		2
17	F05011-28	<b>WASHER, 1" SAE FLAT</b>		4
18	F05012-23	<b>PIN, 3/16" X 1 1/2" COTTER</b>		4
	016562	<b>ROLLER KIT, SIDE SUPPORT (OPTIONAL)</b>		2
19	016561	Roller, Side Support		2
20	F05011-5	Washer, 5/8" SAE Flat		6
21	F05009-118	Bolt, 5/8-11 x 3 3/4" Hex Head Grade 5		1
22	F05010-96	Nut, 5/8-11 Hex Nylon Lock Jam		1
23	016560	Bushing, Bronze 5/8" x 1" x 3/4"		2
	F05008-94	Bolt, 1/2-13 x 3 1/2" Carriage Head		1
	016562-526	Instruction Sheet, Side Support Roller		1
	016798	<b>GUARD KIT, STAINLESS STEEL SIDE SUPPORT (OPTIONAL)</b>		1
24	016722	Guard, Stainless Steel Side Support		4
25	F05005-4	Bolt, 1/4-20 x 1 3/4" Hex Head		8
26	F05011-11	Washer, 1/4" SAE Flat		16
	F05011-5	Washer, 5/8" SAE Flat	Extra washers are included for 016562 roller spacing	4
27	F05010-69	Nut, 1/4-20 Hex Nylon Lock		8
	016798-1005	Instruction Sheet, Stainless Steel Side Support Guard Retro		1

## 9.7 Miscellaneous Loader & Turner Parts



**CAUTION**  
Avoid leaving contacts engaged while machine is not being operated.  
Battery draining may result!

Wood-Mizer Products, Inc.  
800-525-8100 Reorder #P12960

**CAUTION**  
Move the hydraulic clamp and turner to provide maximum ground clearance before towing.  
Failure to do so may result in damage to the sawmill.

Wood-Mizer Products, Inc.  
800-525-8100 Reorder #P11809

REF	PART #	DESCRIPTION	COMMENTS	QTY.
1	048269	PLATE, AXLE MOUNT		2
2	F05008-33	BOLT, 1/2-13 X 1 1/2" HEX HEAD GRADE 5		3
3	F05011-2	WASHER, 1/2" SAE FLAT		4
4	F05010-8	NUT, 1/2" HEX NYLON LOCK		3
5	P12960	DECAL, HYDRAULIC CONTACT CAUTION		1
6	053339	FUSE, 225A 32V MEGA		2
7	055323	SPACER, .39" X .625" X .39"		2
8	F05006-2	BOLT, 5/16-18 X 1 1/2" HEX HEAD FULL THREAD		2
9	P11764	GROMMET, 5/8" ID RUBBER		2
10	F05008-128	BOLT, 1/2-13 X 1" HEX HEAD GRADE 8		1
11	F05010-127	NUT, 1/2-13 HEX NYLON HALF NUT		1
12	025745	PLATE, HLT TRAVEL		1
13	P11809	DECAL, BEFORE TOWING CAUTION		1

## SECTION 10 MISCELLANEOUS

### 10.1 Replacement Manuals



REF	DESCRIPTION (◆ Indicates Parts Available In Assemblies Only)	PART #	QTY.
<b>Wood-Mizer Product Information</b>			
1	ALL-PRODUCTS CATALOG	PS750	1
<b>Basic Sawmill Manuals</b>			
2	TRU-SHARP BLADE HANDBOOK	M600	1
3	WOOD-MIZER GENERAL INFORMATION	M601	1
4	LT35 OPERATOR'S MANUAL	M1773	1
5	LT35 PARTS MANUAL	M1775	1
<b>Power Option Manuals</b>			
6	D17 ENGINE OPTION MANUAL (LT35)	M1723	1
7	G25 ENGINE OPTION MANUAL (LT35)	M1725	1
<b>Trailer Option Manuals</b>			
8	ELECTRIC BRAKE TRAILER OPTION	M796	1
9	SURGE BRAKE TRAILER OPTION	M794	1
<b>Miscellaneous Option Manuals</b>			
10	MANUAL WINCH OPTION MANUAL	M619-23	1
11	LOG TURNER OPTION MANUAL	M620	1
12	MANUAL TOE BOARD OPTION MANUAL	M627	1
13	SHINGLE/LAPSIDER OPTION MANUAL	M621	1
14	RESAW ATTACHMENT OPTION MANUAL	M263	1
15	BED EXTENSION OPTION MANUAL	M294	1
16	LATHE-MIZER OPTION MANUAL	M1337	1