

Wood-Mizer[®] Sawmill

Parts Manual

LT35

rev. A6.17

Safety is our #1 concern!

Form #1775



WARNING! Read and understand this manual before using this machine.

California

Proposition 65 Warning



WARNING: Breathing gas/diesel engine exhaust exposes you to chemicals known to the State of California to cause cancer and birth defects or other reproductive harm.

Always start and operate the engine in a well-ventilated area.
If in an enclosed area, vent the exhaust to the outside.
Do not modify or tamper with the exhaust system.
Do not idle the engine except as necessary.

For more information go to www.P65warnings.ca.gov.



WARNING: Drilling, sawing, sanding or machining wood products can expose you to wood dust, a substance known to the State of California to cause cancer. Avoid inhaling wood dust or use a dust mask or other safeguards for personal protection.

For more information go to www.P65Warnings.ca.gov/wood.

Active Patents assigned to Wood-Mizer, LLC

Wood-Mizer, LLC has received patents that protect our inventions which are a result of a dedication to research, innovation, development, and design. Learn more at: woodmizer.com/patents

©2024 Wood-Mizer LLC

Printed in the United States of America, all rights reserved. No part of this manual may be reproduced in any form by any photographic, electronic, mechanical or other means or used in any information storage and retrieval system without written permission from

Wood-Mizer, LLC
8180 West 10th Street
Indianapolis, Indiana 46214

SECTION 1 REPLACEMENT PARTS

1.1 How To Use The Parts List..... 1-1
 To Order Parts 1-1
 1.2 Sample Assembly..... 1-1
 1.3 Torque Values..... 1-2

SECTION 2 BLADE GUIDE ROLLERS & ARM

2.1 Blade Guide Assembly, Idle Side 2-1
 2.2 Blade Guide Assembly, Drive Side 2-3
 2.3 Blade Guide Arm 2-5

SECTION 3 BLADE WHEELS & TENSIONER

3.1 Blade Drive Assembly 3-6
 3.2 Idle Blade Wheel Assembly..... 3-7
 3.3 Blade Tensioner Assembly (2015-Present)..... 3-8

SECTION 4 SAW HEAD

4.1 Water Lube Assembly 4-1
 4.2 Saw Head Decals 4-3
 4.3 Blade Housing Covers 4-4
 4.4 Sawdust Chute..... 4-5

SECTION 5 CONTROL & BATTERY BOXES

5.1 Control Assembly 5-1
 5.2 Drum Switches..... 5-3
 5.3 Front Panel Assembly(2014-Present) 5-4
 5.4 Front Panel Assembly (2013) 5-5
 5.5 Battery Box Assembly 5-7

SECTION 6 UP/DOWN SYSTEM

6.1 Saw Head Mount..... 6-1
 6.2 Up/Down Assembly 6-3
 6.3 Magnetic Position Sensor Assembly..... 6-5

SECTION 7 FEED SYSTEM & TRACK ROLLERS

7.1 Track Rollers And Wipers 7-1
 7.2 Power Feed Assembly (2013-Present)..... 7-3
 7.3 Feed Chain/Stop..... 7-5

SECTION 8 BED FRAME ASSEMBLY

8.1 Bed Frame 8-1
 8.2 Bed Rail Assembly, Front And Rear 8-2
 8.3 Bed Rail Assembly, Middle Front 8-4
 8.4 Bed Rail Assembly, Middle Rear 8-5
 8.5 Leg Assembly 8-6
 8.6 Pivot Bed Rail Assembly 8-7
 8.7 Log Side Support Assembly (Manual) 8-8

Table of Contents

Section-Page

| | | |
|------|-------------------------------------|------|
| 8.8 | Safety Chain Assembly | 8-9 |
| 8.9 | Rest Pin Assembly..... | 8-10 |
| 8.10 | Bed Frame Decals..... | 8-11 |
| 8.11 | Log Clamp..... | 8-12 |
| 8.12 | Log Loading Ramps | 8-13 |
| 8.13 | Board Outfeed Table (Optional)..... | 8-14 |
| 8.14 | Manual Winch (Optional)..... | 8-15 |

SECTION 9 BED HYDRAULIC SYSTEM (OPTIONAL)

| | | |
|-----|--|------|
| 9.1 | Hydraulic Hoses | 9-1 |
| 9.2 | Hydraulic Loader/Turner Control Box (Optional) | 9-2 |
| 9.3 | Hydraulic Power Supply Strip (Optional) | 9-4 |
| 9.4 | Hydraulic Log Loader (Optional)..... | 9-6 |
| 9.5 | Hydraulic Log Turner (Optional) | 9-8 |
| 9.6 | Hydraulic Log Side Supports (Optional)..... | 9-10 |
| 9.7 | Miscellaneous Loader & Turner Parts..... | 9-12 |

SECTION 10 MISCELLANEOUS

| | | |
|------|---------------------------|------|
| 10.1 | Replacement Manuals | 10-1 |
|------|---------------------------|------|

SECTION 1 REPLACEMENT PARTS

1.1 How To Use The Parts List

- Use the table of contents to locate the assembly that contains the part you need.
- Go to the appropriate section and locate the part in the illustration.
- Use the number pointing to the part to locate the correct part number and description in the table.
- Parts shown indented under another part are included with that part.

To Order Parts

- From the continental US, call **1-800-525-8100** to order parts. Have your customer number, vehicle identification number, and part numbers ready when you call.
- From other international locations, contact the Wood-Mizer distributor in your area for parts.

1.2 Sample Assembly



| REF | PART # | DESCRIPTION | COMMENTS | QTY. |
|-----|-----------|-----------------------------|--------------------|------|
| | 012345 | SAMPLE ASSEMBLY, COMPLETE | INCLUDES ITEMS 1-6 | 1 |
| 1 | F02222-22 | Sample Part | | 1 |
| 2 | F03333-33 | Sample Part | | 2 |
| | 098765 | Sample Subassembly | Includes items 3-6 | 1 |
| 3 | S04444-44 | Subassembly Sample Part | | 1 |
| 4 | K55555 | Subassembly Sample Part | | 1 |
| | 054321 | Sample Sub-Subassembly | Includes items 5-6 | 2 |
| 5 | 022222 | Sub-Subassembly Sample Part | | 1 |
| 6 | F10234-56 | Sub-Subassembly Sample Part | | 1 |

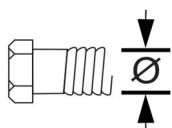
The Sample Assembly, Complete, part number 02345 (top level assembly) includes two parts (F0222-22 and F0333-33) and the 098765 subassembly.

Subassembly 098765 contains two parts(S04444-44 and K55555) and two copies of sub-subassembly 054321.

Each sub-subassembly 054321 contains two parts (022222 and F10234-56).

1.3 Torque Values

| Grade | | Units | SAE 5 | SAE 8 |
|------------|------------------|-------------|--|---|
| Grade Mark | | |  |  |
| Bolt Dia. | Threads. Per In. | Units | SAE 5 | SAE 8 |
| 6 | 32 | in-lbs (Nm) | 20 (2.3) | - |
| 8 | 32 | in-lbs (Nm) | 24 (2.7) | 30 (3.4) |
| 10 | 24 | in-lbs (Nm) | 35 (4.0) | 45 (5.1) |
| 10 | 32 | in-lbs (Nm) | 40 (4.5) | 50 (5.7) |
| 12 | 24 | in-lbs (Nm) | 50 (5.7) | 65 (7.3) |
| 1/4 | 20 | in-lbs (Nm) | 95 (10.7) | 125 (14.1) |
| 1/4 | 28 | in-lbs (Nm) | 95 (10.7) | 150 (17.0) |
| 5/16 | 18 | ft-lbs (Nm) | 17 (22.6) | 23 (31.2) |
| 5/16 | 24 | ft-lbs (Nm) | 20 (27.1) | 25 (33.8) |
| 3/8 | 16 | ft-lbs (Nm) | 30 (40.7) | 40 (54.2) |
| 3/8 | 24 | ft-lbs (Nm) | 35 (47.5) | 45 (61.0) |
| 7/16 | 14 | ft-lbs (Nm) | 50 (67.8) | 65 (88.1) |
| 7/16 | 20 | ft-lbs (Nm) | 55 (74.6) | 70 (94.9) |
| 1/2 | 13 | ft-lbs (Nm) | 75 (101.7) | 100 (135.6) |
| 1/2 | 20 | ft-lbs (Nm) | 85 (115.3) | 110 (149.2) |
| 9/16 | 12 | ft-lbs (Nm) | 105 (142.4) | 135 (183.1) |
| 9/16 | 18 | ft-lbs (Nm) | 115 (155.9) | 150 (203.4) |
| 5/8 | 11 | ft-lbs (Nm) | 150 (203.4) | 195 (264.4) |
| 5/8 | 18 | ft-lbs (Nm) | 160 (217.0) | 210 (284.8) |
| 3/4 | 10 | ft-lbs (Nm) | 170 (230.5) | 220 (298.3) |
| 3/4 | 16 | ft-lbs (Nm) | 175 (237.3) | 225 (305.1) |
| 7/8 | 9 | ft-lbs (Nm) | 302 (409.5) | 473 (640.9) |
| 7/8 | 14 | ft-lbs (Nm) | 300 (406.8) | 400 (542.4) |
| 1 | 8 | ft-lbs (Nm) | 466 (631.8) | 714 (967.4) |



Metric Bolt Head Identification



Metric Grade 8.8

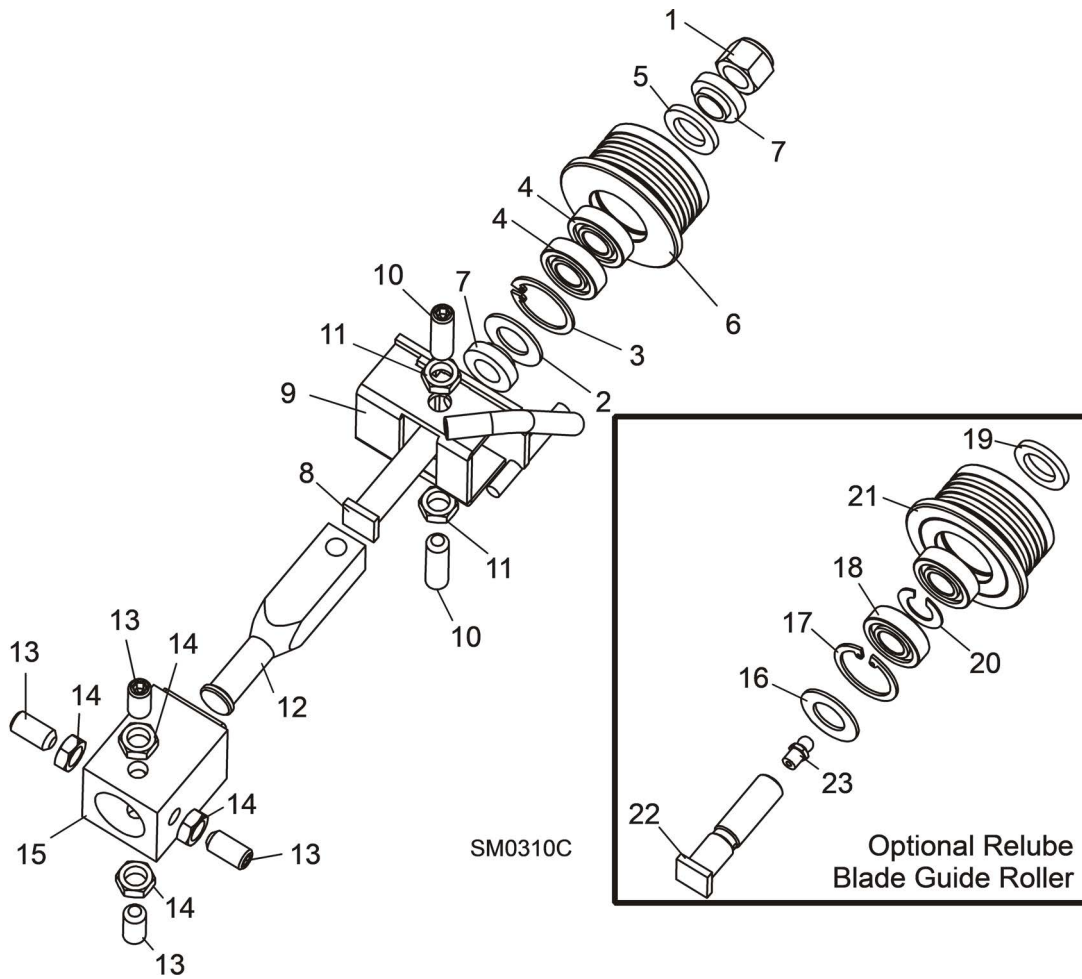


Metric Grade 10.9

| COARSE THREAD | | | | | FINE THREAD | | | | Wrench Size | |
|-------------------------|------------|--------|-------------|--------|-------------------------|------------|--------|-------------|-------------|--------|
| Diameter & Thread Pitch | Metric 8.8 | | Metric 10.9 | | Diameter & Thread Pitch | Metric 8.8 | | Metric 10.9 | | |
| | N-m | lbs-ft | N-m | lbs-ft | | N-m | lbs-ft | N-m | | lbs-ft |
| 6 x 1.0 | 8 | 6 | 11 | 8 | | | | | 10 mm | |
| 8 x 1.25 | 20 | 15 | 27 | 20 | 8 x 1.0 | 21 | 16 | 29 | 22 | 13 mm |
| 10 x 1.5 | 39 | 29 | 54 | 40 | 10 x 1.25 | 41 | 30 | 57 | 42 | 16 mm |
| 12 x 1.75 | 68 | 50 | 94 | 70 | 12 x 1.25 | 75 | 55 | 103 | 76 | 18 mm |
| 14 x 2.0 | 109 | 80 | 151 | 111 | 14 x 1.5 | 118 | 87 | 163 | 120 | 21 mm |
| 16 x 2.0 | 169 | 125 | 234 | 173 | 16 x 1.5 | 181 | 133 | 250 | 184 | 24 mm |
| 18 x 2.5 | 234 | 172 | 323 | 239 | 18 x 1.5 | 263 | 194 | 363 | 268 | 27 mm |
| 20 x 2.5 | 330 | 244 | 457 | 337 | 20 x 1.5 | 367 | 270 | 507 | 374 | 30 mm |
| 22 x 2.5 | 451 | 332 | 623 | 460 | 22 x 1.5 | 495 | 365 | 684 | 505 | 34 mm |
| 24 x 3.0 | 571 | 421 | 790 | 583 | 24 x 2.0 | 623 | 459 | 861 | 635 | 36 mm |
| 30 x 3.0 | 1175 | 867 | 1626 | 1199 | 30 x 2.0 | 1258 | 928 | 1740 | 1283 | 46 mm |

SECTION 2 BLADE GUIDE ROLLERS & ARM

2.1 Blade Guide Assembly, Idle Side



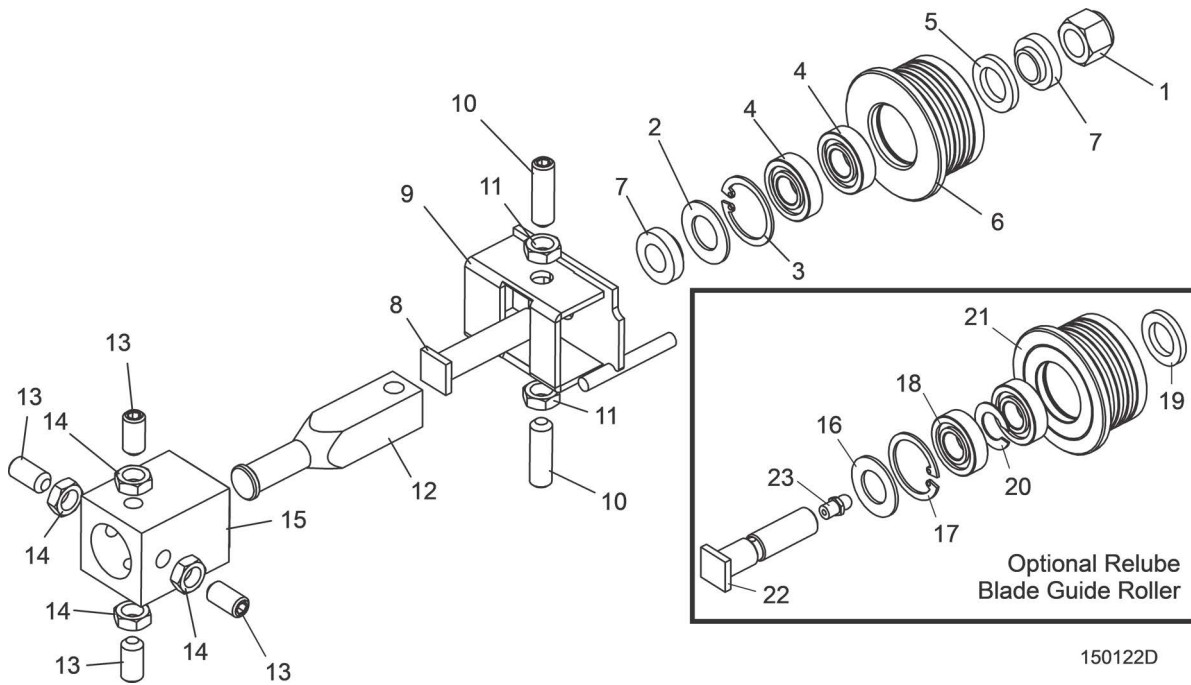
| REF | PART # | DESCRIPTION | COMMENTS | QTY. |
|-----|-------------|--|-------------------------------|------|
| | A08197 | BLADE GUIDE ASSEMBLY, COMPLETE IDLE SIDE | | 1 |
| 1 | F05010-15 | Nut, 1/2-20 Hex Nylon Lock | | 1 |
| | A04925 | Roller Assembly, Blade Guide (standard) | | 1 |
| | K07079 | Bearing Kit, Blade Guide Rebuild | | 1 |
| 2 | P04252 | Washer, 5/8" White Felt | | 1 |
| 3 | F04254-1 | Ring, 1 1/8" Interior Retaining | | 1 |
| 4 | 015975 | Bearing, R8-2RS Blade Guide | Available in assemblies only. | 2 |
| 5 | P06455 | Washer, 5/8" Gray Felt | | 1 |
| | F05005-105 | Screw, 1/4-28 x 1/4" Socket Head Cup Point Set Black Oxide | | 1 |
| | 057407-1507 | Instruction Sheet, Blade Guide Rebuild | | 1 |
| 6 | S04250 | Roller, Flanged Blade Guide | Available in assemblies only. | 1 |

2 Blade Guide Rollers & Arm

Blade Guide Assembly, Idle Side

| REF | PART # | DESCRIPTION | COMMENTS | QTY. |
|-----|-------------|--|---|------|
| | A04925-364 | Instruction Sheet, Blade Guide Roller Replacement | | 1 |
| 7 | S04253 | Spacer, Blade Guide | | 2 |
| 8 | 036373 | Bolt, Blade Guide Roller | | 1 |
| 9 | W08495 | Bracket, Blade Guide Idle Side With Water Tube | | 1 |
| 10 | F05007-96 | Screw, 3/8-24 X 1 1/4" Stainless Steel Socket Head Flat Point | | 2 |
| 11 | F05010-22 | Nut, 3/8-24 Jam | | 2 |
| 12 | S08196 | Shaft, Blade Guide Adjustment | | 1 |
| 13 | F05007-95 | SCREW, 3/8-24 X 3/4" STAINLESS STEEL SOCKET HEAD FLAT POINT | | 4 |
| 14 | F05010-22 | NUT, 3/8-24 JAM | | 4 |
| 15 | W08159 | TUBE, BLADE GUIDE MOUNT ((See Section 2.4)) | | 1 |
| | 016568 | ROLLER ASSEMBLY, BLADE GUIDE RELUBE (OPTIONAL) | | 1 |
| | 057407 | Bearing Kit, Relube Blade Guide Rebuild | | 1 |
| 16 | P04252 | Washer, 5/8" White Felt | | 1 |
| 17 | F04254-1 | Ring, 1 1/8" Interior Retaining | | 1 |
| 18 | 015975 | Bearing, R8-2RS Blade Guide | Available in assemblies only. Bearing must be modified for use with relube roller assemblies. Remove one seal from each bearing, place open sides facing each other and place spacer 035411 between bearings. | 2 |
| 19 | P06455 | Washer, 5/8" Gray Felt | | 1 |
| | 057407-1507 | Instruction Sheet, Blade Guide Rebuild | | 1 |
| 20 | 035411 | Spacer, Blade Guide Bearing | | 1 |
| 21 | 035426 | Roller, Flanged Blade Guide Relube | Available in assemblies only. | 1 |
| | A04925-364 | Instruction Sheet, Blade Guide Roller Replacement | | 1 |
| 22 | S08192 | BOLT, BLADE GUIDE ROLLER (RELUBE ONLY) | | 1 |
| 23 | P05060 | FITTING, 1/4-28 GREASE (RELUBE ONLY) | | 1 |

2.2 Blade Guide Assembly, Drive Side



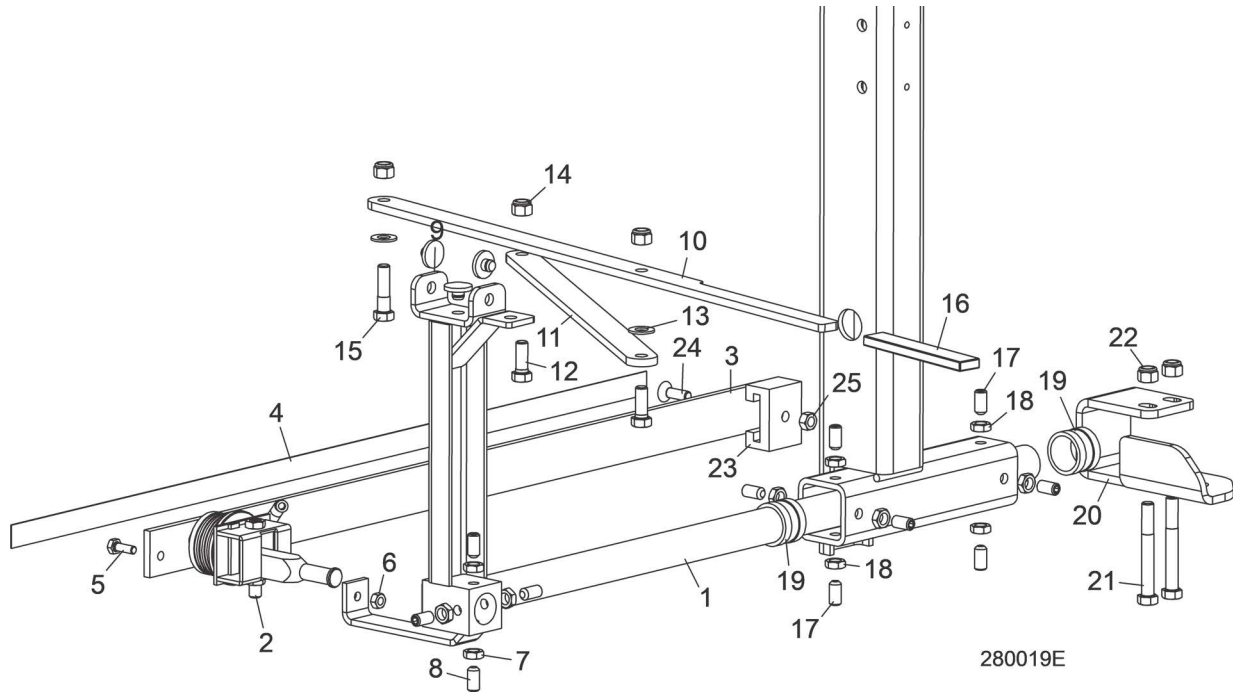
| REF | PART # | DESCRIPTION | COMMENTS | QTY. |
|-----|-------------|--|-------------------------------|------|
| | A08191 | BLADE GUIDE ASSEMBLY, COMPLETE DRIVE SIDE | | 1 |
| 1 | F05010-15 | Nut, 1/2-20 Hex Nylon Lock | | 1 |
| | A04925 | Roller Assembly, Blade Guide (standard) | | 1 |
| | K07079 | Bearing Kit, Blade Guide Rebuild | | 1 |
| 2 | P04252 | Washer, 5/8" White Felt | | 1 |
| 3 | F04254-1 | Ring, 1 1/8" Interior Retaining | | 1 |
| 4 | 015975 | Bearing, R8-2RS Blade Guide | Available in assemblies only. | 2 |
| 5 | P06455 | Washer, 5/8" Gray Felt | | 1 |
| | F05005-105 | Screw, 1/4-28 x 1/4" Socket Head Cup Point Set Black Oxide | | 1 |
| | 057407-1507 | Instruction Sheet, Blade Guide Rebuild | | 1 |
| 6 | S04250 | Roller, Flanged Blade Guide | Available in assemblies only. | 1 |
| | A04925-364 | Instruction Sheet, Blade Guide Roller Replacement | | 1 |
| 7 | S04253 | Spacer, Blade Guide | | 2 |
| 8 | 036373 | Bolt, Blade Guide Roller | | 1 |
| 9 | W08482 | Bracket, Blade Guide Drive Side | | 1 |
| 10 | F05007-96 | Screw, 3/8-24 X 1 1/4" Stainless Steel Socket Head Flat Point | | 2 |
| 11 | F05010-22 | Nut, 3/8-24 Jam | | 2 |
| 12 | S08196 | Shaft, Blade Guide Adjustment | | 1 |
| 13 | F05007-95 | SCREW, 3/8-24 X 3/4" STAINLESS STEEL SOCKET HEAD FLAT POINT SET | | 3 |
| 14 | F05010-22 | NUT, 3/8-24 JAM | | 4 |
| 15 | W08159 | TUBE WELDMENT, BLADE GUIDE MOUNT (Part of saw frame weldment) | | 1 |

2 Blade Guide Rollers & Arm

Blade Guide Assembly, Drive Side

| REF | PART # | DESCRIPTION | COMMENTS | QTY. |
|-----------|-------------|---|---|------|
| | 016568 | ROLLER ASSEMBLY, BLADE GUIDE RELUBE (OPTIONAL) | | 1 |
| | 057407 | Bearing Kit, Relube Blade Guide Rebuild | | 1 |
| 16 | P04252 | Washer, 5/8" White Felt | | 1 |
| 17 | F04254-1 | Ring, 1 1/8" Interior Retaining | | 1 |
| 18 | 015975 | Bearing, R8-2RS Blade Guide | Available in assemblies only. Bearing must be modified for use with relube roller assemblies. Remove one seal from each bearing, place open sides facing each other and place spacer 035411 between bearings. | 2 |
| 19 | P06455 | Washer, 5/8" Gray Felt | | 1 |
| 20 | 035411 | Spacer, Blade Guide Bearing | | 1 |
| | 057407-1507 | Instruction Sheet, Blade Guide Rebuild | | 1 |
| 21 | 035426 | Roller, Flanged Blade Guide Relube | Available in assemblies only. | 1 |
| | A04925-364 | Instruction Sheet, Blade Guide Roller Replacement | | 1 |
| 22 | S08192 | BOLT, BLADE GUIDE ROLLER (RELUBE ONLY) | | 1 |
| 23 | P05060 | FITTING, 1/4-28 GREASE (RELUBE ONLY) | | 1 |

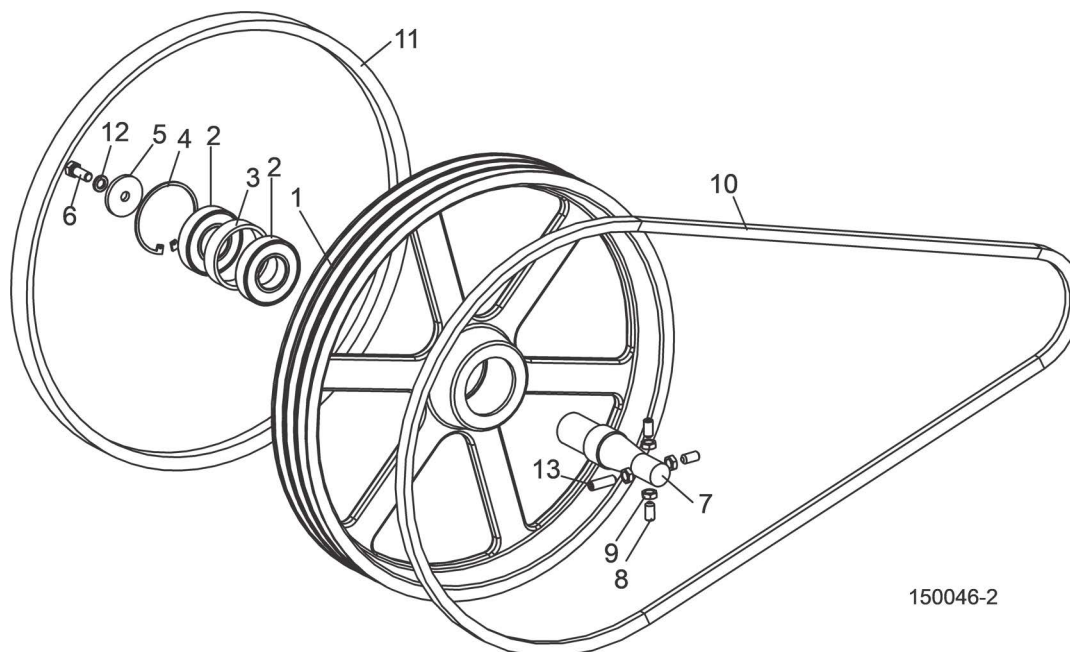
2.3 Blade Guide Arm



| REF | PART # | DESCRIPTION | COMMENTS | QTY. |
|-----|------------|--|-----------------------------------|------|
| | 046966 | ARM ASSEMBLY, LT15 BLADE GUIDE (2004) | | 1 |
| 1 | 046965 | Arm Weldment, LT15 Blade Guide (2004) | | 1 |
| 2 | | Blade Guide Parts (| (See Section 2.1) | |
| 3 | 014955 | Guard, LT15 Blade Guide Arm | | 1 |
| 4 | 015849 | Decal, LT15 Blade Guide Arm | | 1 |
| 5 | F05005-1 | Bolt, 1/4-20 x 3/4" Hex Head Full Thread | | 1 |
| 6 | F05010-21 | Nut, 1/4-20 Hex Lock | | 1 |
| 7 | F05010-22 | Nut, 3/8-24 Hex Jam | | 4 |
| 8 | F05007-95 | Screw, 3/8-24 x 3/4" Socket Head Flat Point Set | | 4 |
| 9 | 014973 | Pad, Blade Guide Slide | | 3 |
| 10 | 076118 | PLATE, LT15 WIDE BLADE GUIDE ARM ADJUSTMENT | | 1 |
| 11 | 076117 | PLATE, LT15 WIDE BLADE GUIDE ARM LINK | | 1 |
| 12 | F05007-87 | BOLT, 3/8-16 X 1" HEX HEAD GRADE 5 | | 2 |
| 13 | F05011-3 | WASHER, 3/8" SAE FLAT | | 3 |
| 14 | F05010-10 | NUT, 3/8-16 HEX NYLON LOCK | | 3 |
| 15 | F05007-78 | BOLT, 3/8-16 X 1 1/2" HEX HEAD GRADE 5 | | 1 |
| 16 | 049008 | GRIP, 5/8" ID RUBBER HANDLE | | 1 |
| 17 | F05007-95 | SCREW, 3/8-24 X 3/4" STAINLESS SOCKET HEAD FLAT POINT SET | | 8 |
| 18 | F05010-22 | NUT, 3/8-24 HEX JAM | | 8 |
| 19 | 015899 | BUSHING, BLADE GUIDE ARM | | 2 |
| 20 | 049141 | BRACKET, SAW HEAD REST | | 1 |
| 21 | F05007-73 | BOLT, 3/8-16 X 3" HEX HEAD GRADE 5 | | 2 |
| 22 | F05010-10 | NUT, 3/8-16 HEX NYLON LOCK | | 2 |
| 23 | 014882 | BRACKET, BLADE GUIDE ARM GUIDE | | 1 |
| 24 | F05006-124 | BOLT, 5/16-18 X 1" FLAT HEAD SOCKET | | 1 |
| 25 | F05010-6 | NUT, 5/16-18 HEX LOCK | | 1 |

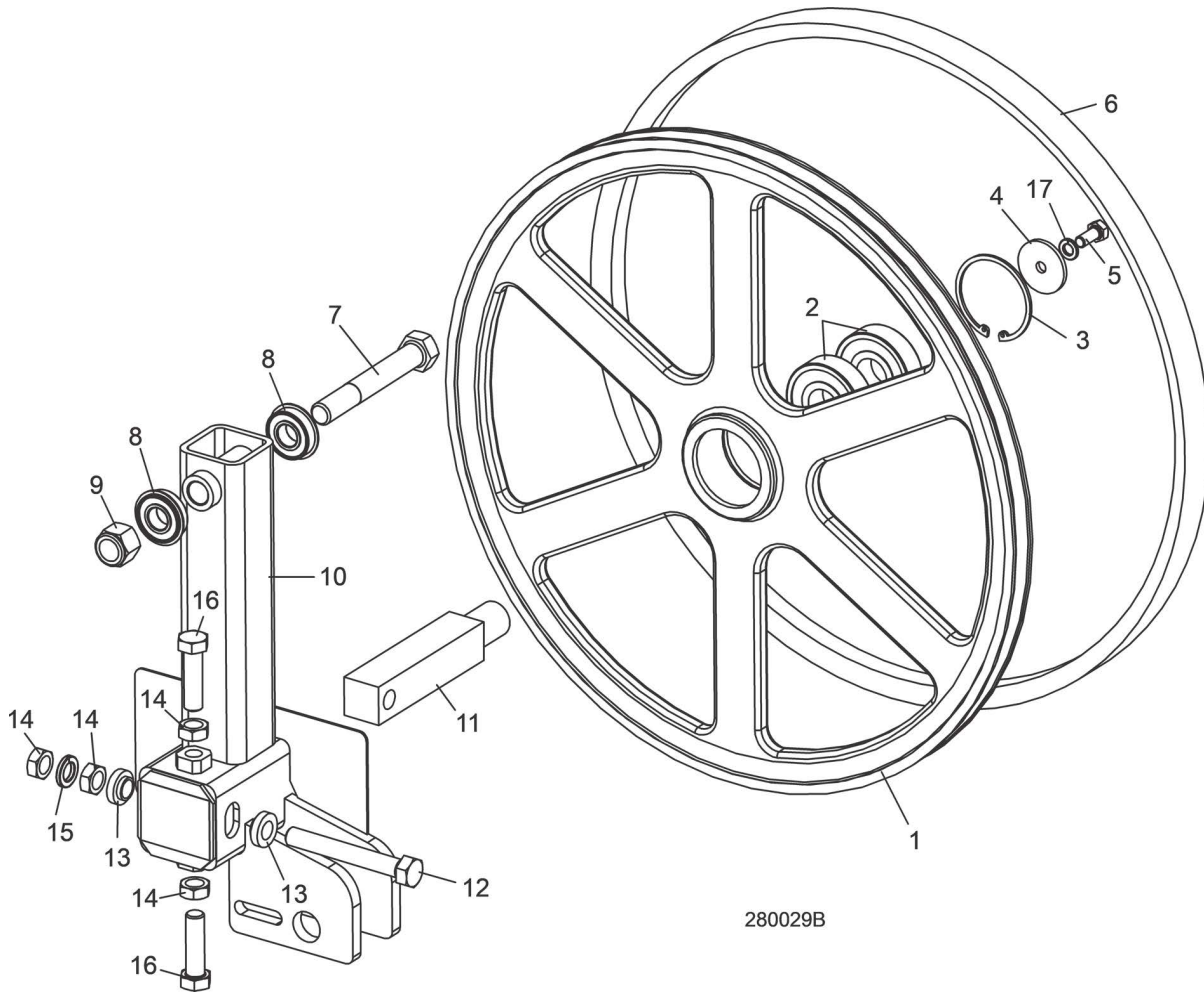
SECTION 3 BLADE WHEELS & TENSIONER

3.1 Blade Drive Assembly



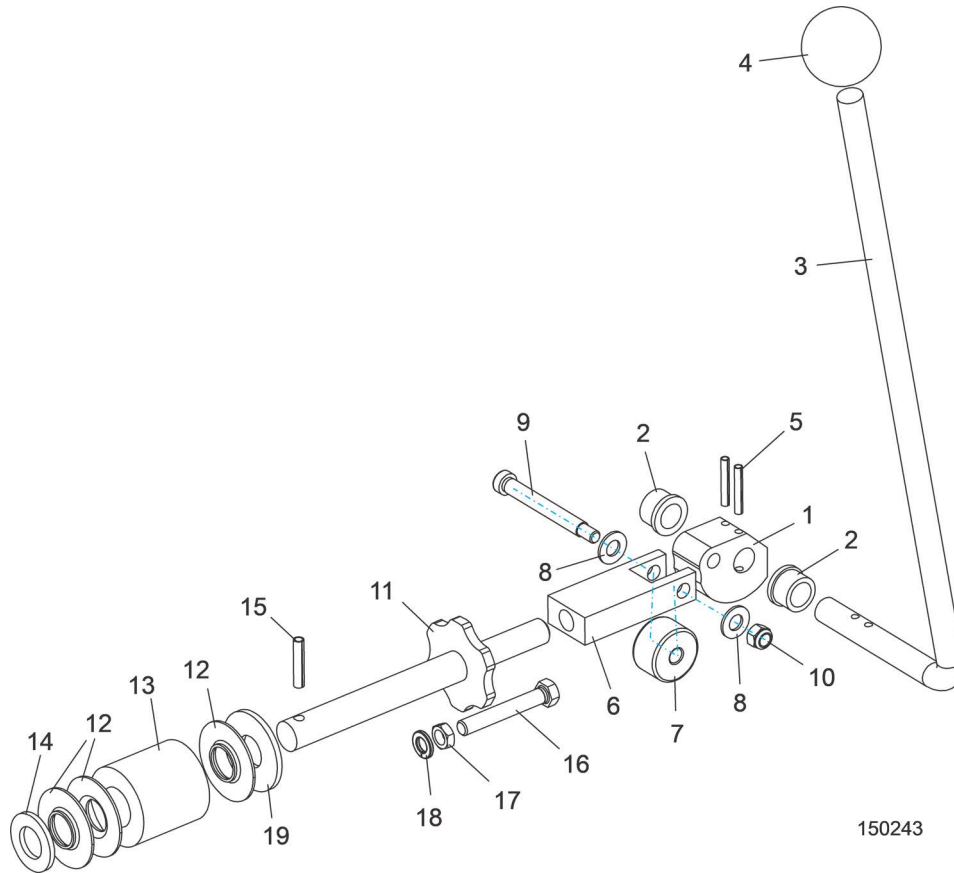
| REF | PART # | DESCRIPTION | COMMENTS | QTY. |
|-----|-----------|--|-----------------------------------|------|
| | | BLADE WHEEL BRAKE PARTS, G18 | See Engine Manual | |
| | | BLADE WHEEL BRAKE PARTS, D17 | See Engine Manual | |
| | | BLADE WHEEL BRAKE PARTS, D19 | See Engine Manual | |
| | | BLADE WHEEL BRAKE PARTS, G25 | See Engine Manual | |
| | 036657 | WHEEL ASSEMBLY, DRIVE SIDE BLADE | | 1 |
| 1 | 047702 | Wheel, Drive Side Blade | | 1 |
| 2 | 014811 | Bearing, #6207 2RS | | 2 |
| 3 | 014730 | Spacer, Drive Bearing | | 1 |
| 4 | F04254-30 | Ring, 3.121 IR Beveled Retaining | | 1 |
| 5 | 014728 | WASHER, DRIVE WHEEL RETAINING | | 1 |
| 6 | F05007-87 | BOLT, 3/8-16 X 1" HEX HEAD | | 1 |
| 7 | 014729 | SHAFT, LT15 DRIVE SIDE BLADE WHEEL | | 1 |
| 8 | F05007-95 | SCREW, 3/8-24 X 3/4" FLAT POINT SOCKET HEAD | | 3 |
| 9 | F05010-22 | NUT, 3/8-24 HEX JAM | | 4 |
| 10 | | BELT, DRIVE (SEE ENGINE MANUAL FOR PART #) | See Section 5 | 1 |
| 11 | P04185 | BELT, B57 | | 1 |
| 12 | F05011-4 | WASHER, 3/8" SPLIT LOCK | | 1 |
| 13 | F05007-96 | SCREW, 3/8-24 X 1 1/4" FLAT POINT SOCKET HEAD | | 1 |

3.2 Idle Blade Wheel Assembly



| REF | PART # | DESCRIPTION | COMMENTS | QTY. |
|-----|------------|---|-------------------------------|------|
| | A08218 | WHEEL ASSEMBLY, IDLE SIDE BLADE | | 1 |
| 1 | P08125 | Wheel, Idle Side Blade | Available in assemblies only. | 1 |
| 2 | P08066 | Bearing, Idle Side Blade Wheel #6305-AA, C3, ABEC-1, SRI-2 Grease | | 2 |
| 3 | F04254-21 | Ring, 2 7/16" Internal Retaining | | 1 |
| 4 | S08220 | WASHER, IDLE BLADE WHEEL RETAINER | | 1 |
| 5 | F05006-102 | BOLT, 5/16-18 X 3/4" HEX HEAD | | 1 |
| 6 | P04185 | BELT, BLADE WHEEL B57 | | 1 |
| 7 | F05009-3 | BOLT, 5/8-11 X 4 1/2" HEX HEAD | | 1 |
| 8 | 014834 | BEARING, 5/8" I.D. W/SNAP RING | | 2 |
| 9 | F05010-34 | NUT, 5/8-11 HEX NYLON LOCK | | 1 |
| 10 | 049349 | IDLER WELDMENT, BLADE WHEEL | | 1 |
| 11 | S12565 | SHAFT, IDLE WHEEL | | 1 |
| 12 | F05008-111 | BOLT, 1/2-20 X 3 3/4" HEX HEAD FULL THREAD GRADE 2 | | 1 |
| 13 | S04253 | SPACER, 1/2" I.D. FLANGED | | 2 |
| 14 | F05010-16 | NUT, 1/2-20 HEX JAM | | 4 |
| 15 | F05011-9 | WASHER, 1/2" SPLIT LOCK | | 1 |
| 16 | F05008-127 | BOLT, 1/2-20 X 1 3/4" HEX HEAD GRADE 5 | | 2 |
| 17 | F05011-13 | WASHER, 5/16" SPLIT LOCK | | 1 |

3.3 Blade Tensioner Assembly (2015-Present)

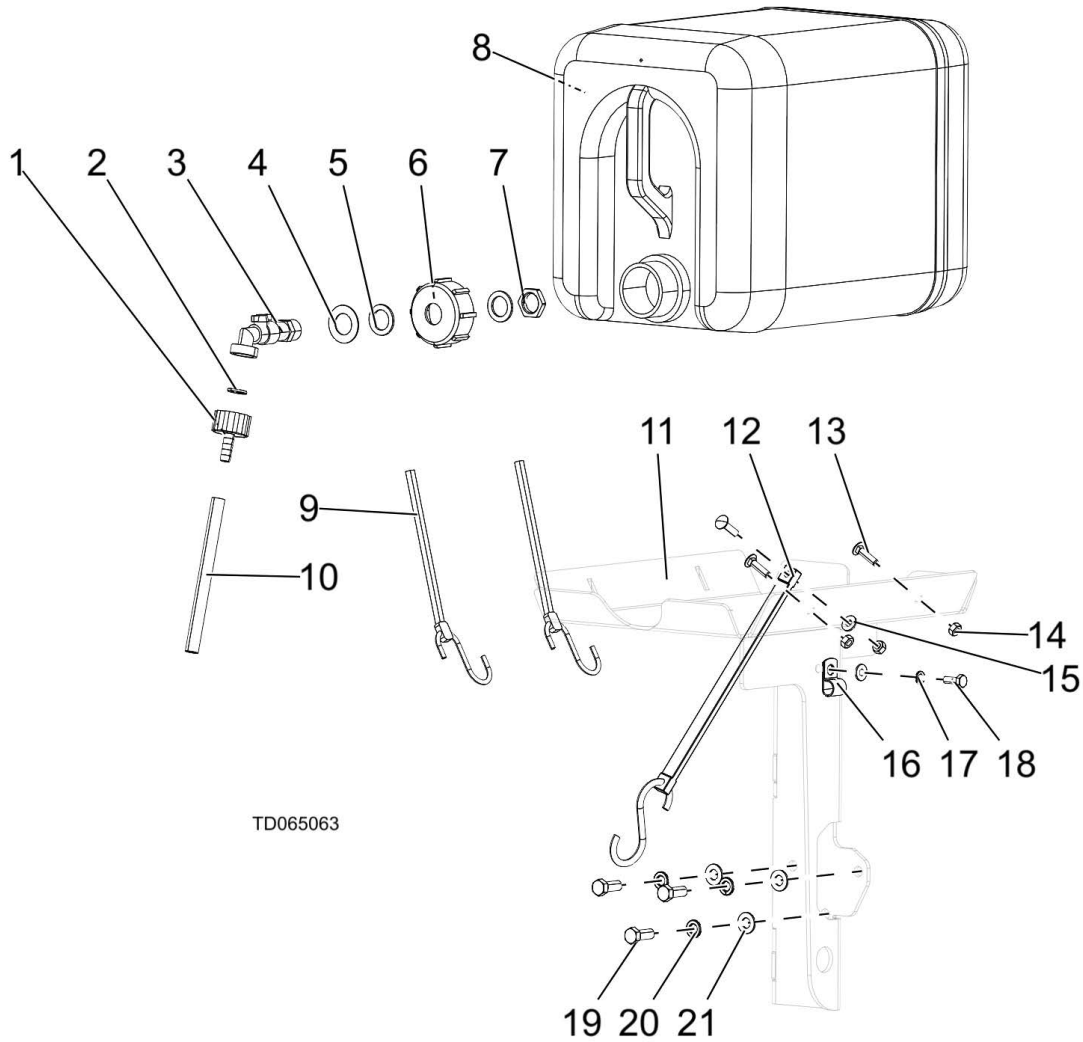


| REF | PART # | DESCRIPTION | COMMENTS | QTY. |
|-----|------------|--|----------|------|
| | 074801 | TENSION ASSEMBLY, CAM ACTUATED BLADE(LT15/28/35, HR120/130) | | 1 |
| 1 | 049104 | Cam, Tension | | 1 |
| 2 | P05135 | Bushing, 5/8" x 7/8" x 1/2" Bronze | | 2 |
| 3 | 103801 | Handle, Blade Tensioner, LT15/28/35 | | 1 |
| 4 | P04211 | Knob, 5/8-18 Ball | | 1 |
| 5 | F05012-16 | Pin, 3/16" x 1 1/4" Roll | | 2 |
| 6 | 128072 | Block, Tensioner Bearing Mount | | 1 |
| 7 | 048219 | Cam Follower, 3/8" x 1 3/8" x 13/16" | | 1 |
| 8 | F05011-3 | Washer, 3/8" SAE Flat | | 2 |
| 9 | F05007-202 | Bolt, 3/8 x 2 1/2" Socket Head Shoulder | | 1 |
| 10 | F05010-58 | Nut, 5/16-18 Hex Nylon Lock | | 1 |
| 11 | 038642 | Shaft Weldment, Blade Tension | | 1 |
| 12 | 014925 | Guide, Tension Handle | | 3 |
| 13 | 014828 | Spring, Rubber Tensioner Blade | | 1 |
| 14 | F05011-62 | Washer, 3/4" SAE Flat | | 1 |
| 15 | F05012-12 | Pin, 1/4" x 1 1/4" Roll | | 1 |
| 16 | F05007-157 | Bolt, 3/8-16 x 2 1/2" Hex Head Full Thread | | 1 |
| 17 | F05010-29 | Nut, 3/8-16 Jam | | 1 |
| 18 | F05011-4 | Washer, 3/8" Split Lock | | 1 |
| 19 | F05011-29 | Washer, 3/4" USS Flat | | 1 |

LT35HD Rev A1.00-A6.05

SECTION 4 SAW HEAD

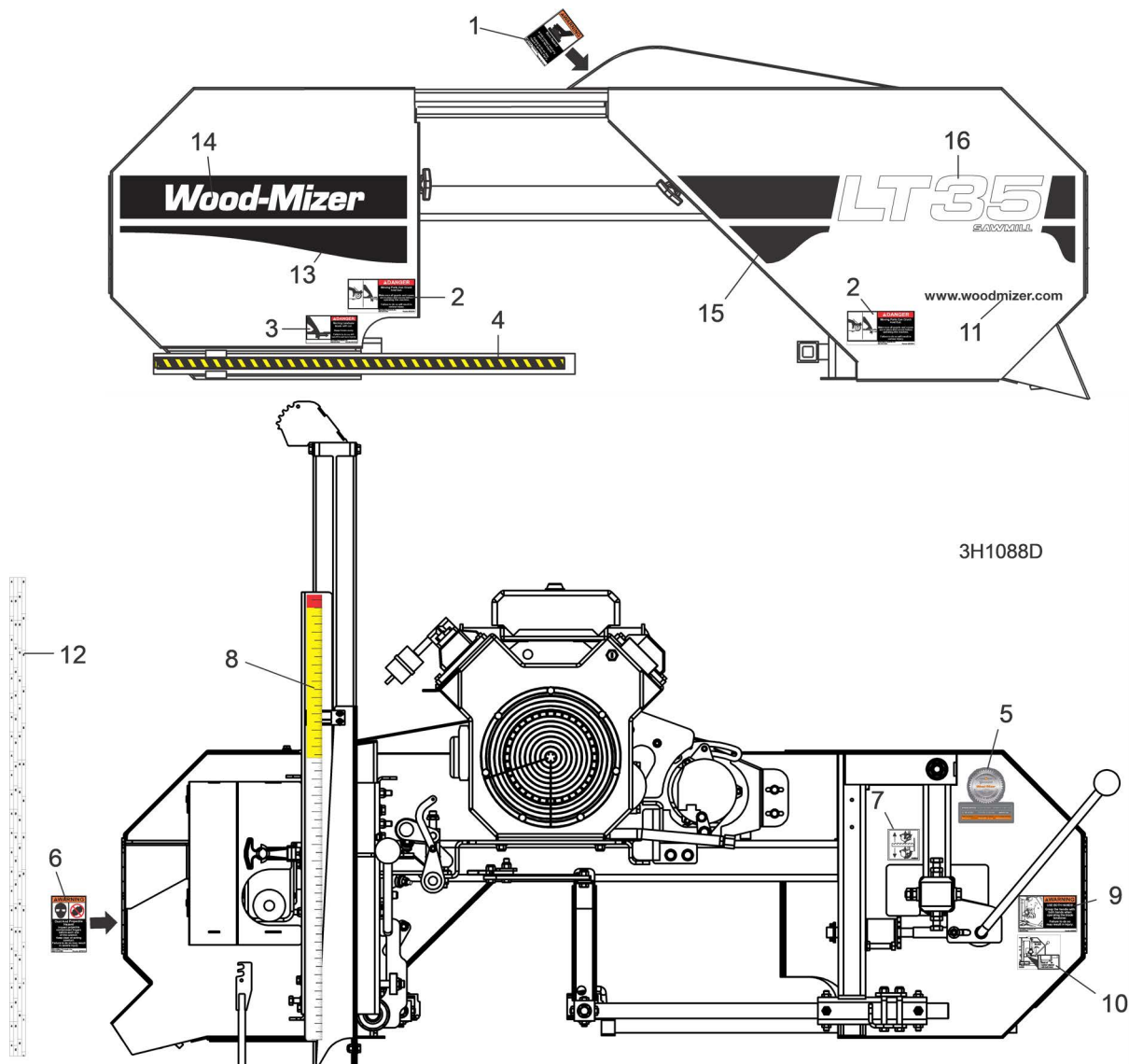
4.1 Water Lube Assembly



| REF | PART # | DESCRIPTION | COMMENTS | QTY. |
|-----|--------|---------------------------------------|----------|------|
| | 065063 | Tray Assembly, LT35 Water Lube Bottle | | 1 |
| | 550787 | Assembly, Water Bottle | | 1 |
| 1 | 550777 | Fitting, G3/4" X 10mm Hose Barb | | 1 |
| 2 | 550778 | Gasket, 1/2 (Batard) | | 1 |
| 3 | 550776 | Fitting, Water Lube Shutoff Valve | | 1 |
| 4 | 530841 | Shim, 21/37-1 | | 1 |
| 5 | 550780 | O-ring, 27x20x1.5 | | 2 |
| 6 | 550785 | Cap. Water Bottle | | 1 |
| 7 | 550779 | Gland Nut, 1/2 Npt | | 1 |
| 8 | 513866 | Bottle, Water | | 1 |
| 9 | P11668 | Strap, 20 Rubber W/hooks | | 2 |

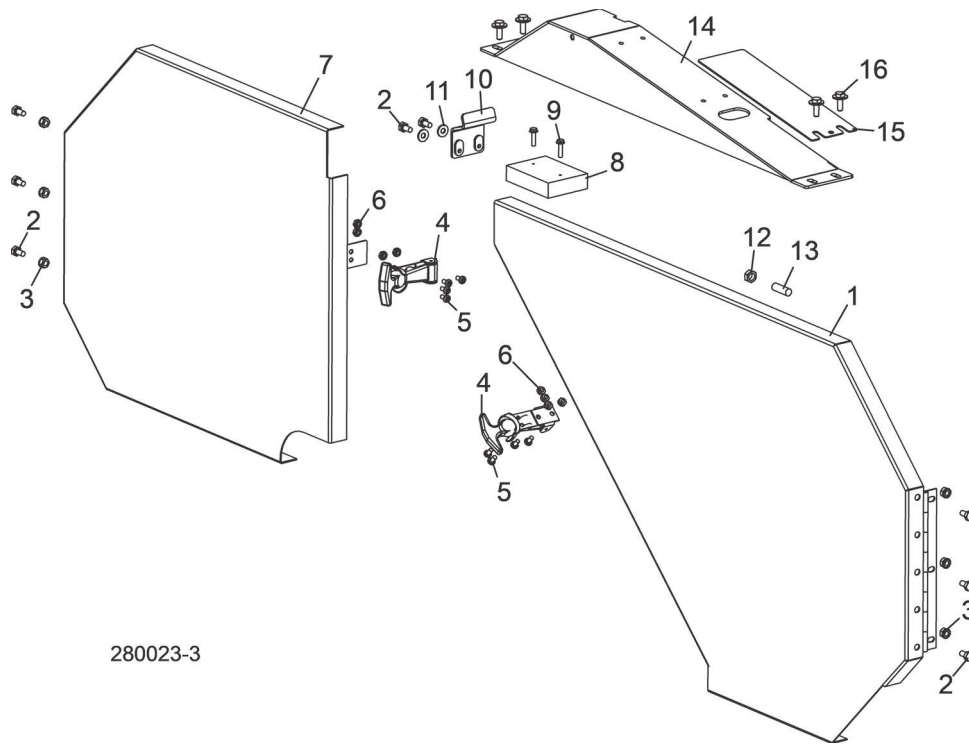
| REF | PART # | DESCRIPTION | COMMENTS | QTY. |
|-----|-----------|---------------------------|----------|------|
| 10 | R01885 | Hose, Water Lube Stock | | 1 |
| 11 | 062530 | Tray Weldment, Lt35 Water | | 1 |
| 12 | 012965 | Strap, Rubber 9" | | 1 |
| 13 | F05005-34 | Bolt, 1/4-20 X 1 Carr | | 3 |
| 14 | F05010-21 | Nut, 1/4-20 Swaged | | 3 |
| 15 | F05011-11 | Washer, 1/4 SAE Flat | | 2 |
| 16 | P07584 | Clamp, 1/2emt Coated | | 1 |
| 17 | F05011-14 | Washer, 1/4 Split Lock | | 1 |
| 18 | F05005-1 | Bolt, 1/4-20x3/4 Ft Hhc | | 1 |
| 19 | F05007-87 | Bolt, 3/8-16x1 Gr5 Hh | | 3 |
| 20 | F05011-4 | Washer, 3/8 Split Lock | | 3 |
| 21 | F05011-3 | Washer, 3/8 Flat SAE | | 3 |

4.2 Saw Head Decals



| REF | PART # | DESCRIPTION | COMMENTS | QTY. |
|-----|--------|---|----------|------|
| 1 | 014419 | DECAL, HOT ENGINE WARNING | | 1 |
| 2 | 033254 | DECAL, MOVING PARTS DANGER | | 2 |
| 3 | S11752 | DECAL, BLADE DANGER W/ARROW | | 1 |
| 4 | 015849 | DECAL, BLADE GUIDE ARM STRIPE | | 1 |
| 5 | 079278 | DECAL, WOOD-MIZER QUALITY & INFORMATION | | 1 |
| 6 | P11754 | DECAL, SAWDUST CHUTE WARNING | | 1 |
| 7 | P11789 | DECAL, BLADE TRACK INFO | | 1 |
| 8 | S11773 | DECAL, INCH SCALE | | 1 |
| 9 | 049367 | DECAL, TENSIONER WARNING | | 1 |
| 10 | 049368 | DECAL, BLADE TENSION INFO | | 1 |
| 11 | 003235 | DECAL, WOOD-MIZER WEBSITE | | 1 |
| 12 | 016275 | DECAL, MAGNETIC QUARTER SCALE | | 1 |
| 13 | 065008 | DECAL, LT15/28/35 IDLE SIDE BLACK EURO STRIPE | | 1 |
| 14 | 065002 | DECAL, LT10/15/28/35 WHITE WOOD-MIZER LOGO | | 1 |
| 15 | 065010 | DECAL, LT28/35 DRIVE SIDE BLACK EURO STRIPE | | 1 |
| 16 | 065022 | DECAL, LT35 WHITE EURO LOGO | | 1 |

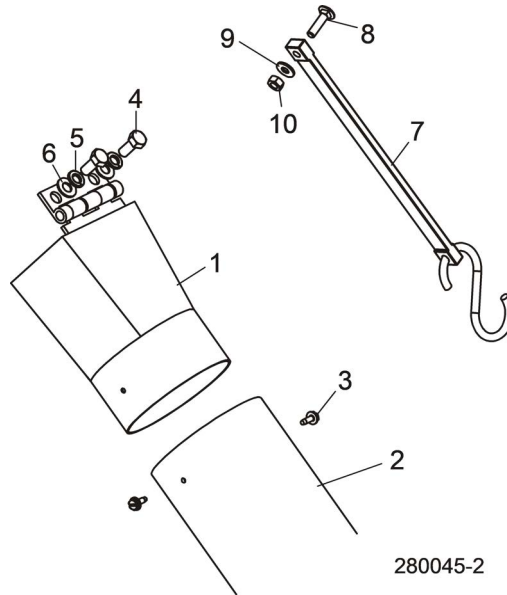
4.3 Blade Housing Covers



280023-3

| REF | PART # | DESCRIPTION | COMMENTS | QTY. |
|-----|------------|--|---|------|
| 1 | 065067 | COVER, LT35 DRIVE SIDE BLADE HOUSING | (INCLUDES COVER DECALS - (See Section 4.11)) | 1 |
| 2 | F05005-15 | BOLT, 1/4-20 X 1/2" HEX HEAD | | 8 |
| 3 | F05010-9 | NUT, 1/4-20 KEPS | | 6 |
| 4 | 014829 | LATCH, FLEXIBLE DRAW | | 2 |
| 5 | F05004-3 | SCREW, #10-24 X 3/8" CROSS SLOTTED ROUND HEAD | | 8 |
| 6 | F05010-14 | NUT, #10-24 SELF-LOCKING HEX | | 8 |
| 7 | 065068 | COVER, LT35 IDLE SIDE BLADE HOUSING | (INCLUDES COVER DECALS - (See Section 4.11)) | 1 |
| 8 | 015844 | BLOCK, BLADE VIBRATION DAMPENING | | 1 |
| 9 | F05015-33 | BOLT, #10 X 3/4" SLOTTED HEX WASHER HEAD | | 2 |
| 10 | 074394 | BRACKET WELDMENT, LT15 BELT ENHANCE | | 1 |
| 11 | F05011-11 | WASHER, 1/4" SAE FLAT | | 2 |
| 12 | F05010-29 | NUT, 3/8-16 JAM | | 1 |
| 13 | F05007-18 | SCREW, 3/8-16 X 1 1/4 SHOP SET | | 1 |
| | 038633 | COVER ASSEMBLY, TOP ENGINE PULLEY | | 1 |
| 14 | 074574 | Cover Weldment, LT15/28 Top Belt Cover | | 1 |
| 15 | 074546 | Plate, Belt Guard Cover | | 1 |
| 16 | F05005-134 | Bolt, 1/4-20 x 3/4" Hex Head w/Conical Washer | | 4 |

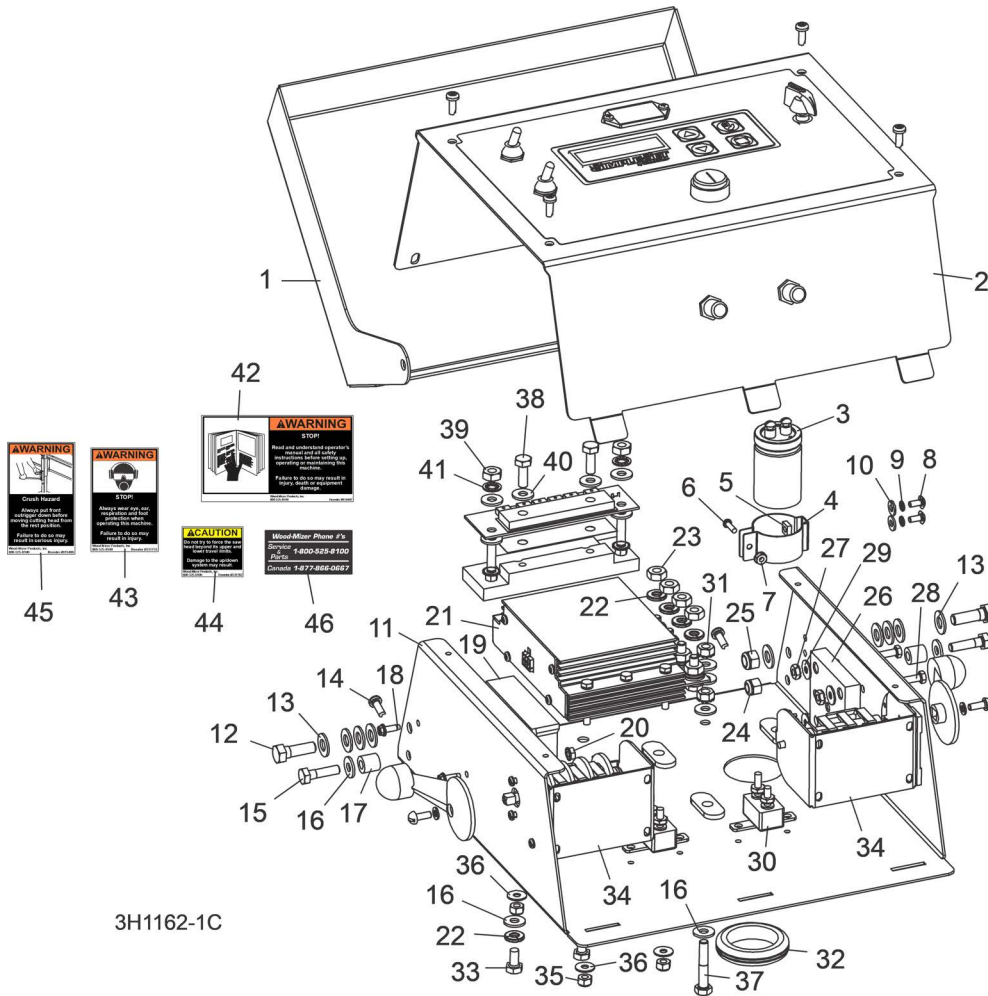
4.4 Sawdust Chute



| REF | PART # | DESCRIPTION | COMMENTS | QTY. |
|------------|-----------|-------------------------------------|----------|------|
| 1-6 | 038747 | CHUTE ASSEMBLY, LT28 SAWDUST | | 1 |
| 1 | 038746 | Chute Wldmt, LT28 Sawdust | | 1 |
| 2 | 016727 | Chute, Rubber Sawdust | | 1 |
| 3 | F05015-7 | Bolt, #10-24x1/2 Self Tap | | 2 |
| 4 | F05006-5 | Bolt, 5/16-18x3/4 HHC | | 2 |
| 5 | F05011-13 | Washer, 5/16 Split Lock | | 2 |
| 6 | F05011-17 | Washer, 5/16 SAE Flat | | 2 |
| 7 | 012965 | STRAP, 9IN RUBBER WITH HOOKS | | 1 |
| 8 | F05005-34 | BOLT, 1/4-20X1 CARRIAGE | | 1 |
| 9 | F05011-11 | WASHER, 1/4 SAE FLAT | | 1 |
| 10 | F05010-21 | NUT, 1/4-20 SWAGED | | 1 |

SECTION 5 CONTROL & BATTERY BOXES

5.1 Control Assembly

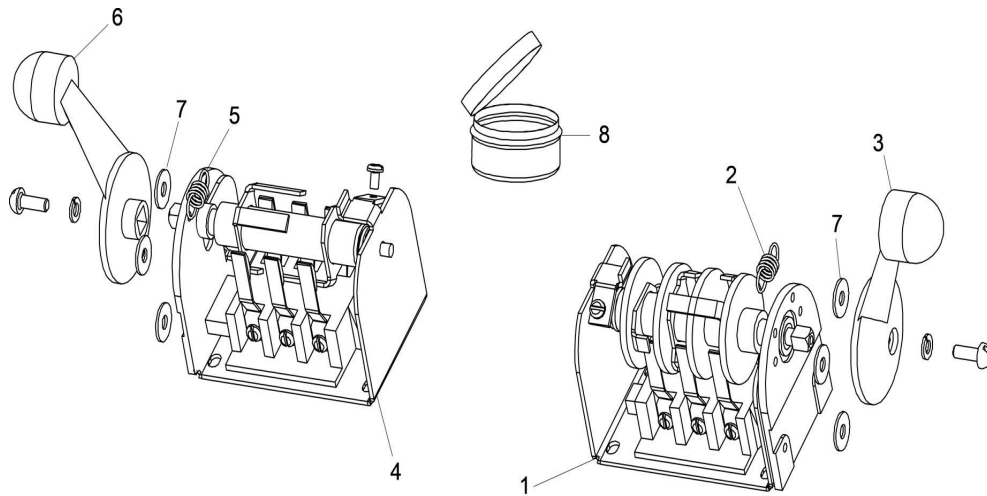


3H1162-1C

| REF | PART # | DESCRIPTION | COMMENTS | QTY. |
|-----|------------|---|-----------------------------------|------|
| | 073542 | CONTROL ASSEMBLY, LT35D17/G25 POWER FEED | | 1 |
| | 073559 | CONTROL ASSEMBLY, LT35D24 POWER FEED | | 1 |
| 1 | 071337 | Plate, LT35 Control Box Cover | | 1 |
| 2 | N/A | LT35 Operator Panel Parts | (See Section 5.3) | 1 |
| 3 | 052365 | Capacitor Assembly, PF Filter | | 1 |
| 4 | 024410 | Clamp, Capacitor Metal 1-3/8 Cylindrical | | 1 |
| 5 | F05010-153 | Nut, #8-32 Square | | 2 |
| 6 | F05015-24 | Screw, #6-32 x 1/2" SI RH | | 1 |
| 7 | F05010-59 | Nut, #6-32 Keps | | 1 |
| 8 | F05004-157 | Screw, #8-32 x 3/8" Round Hd Mach Grade 5 | | 2 |
| 9 | F05011-84 | Washer, #8 Split Lock | | 2 |
| 10 | F05011-41 | Washer, #8 SAE Flat | | 2 |
| 11 | 071335 | Box Weldment, LT35 Control Bottom | | 1 |
| 12 | F05006-1 | Bolt, 5/16-18 x 1" Hex Head | | 2 |
| 13 | F05011-17 | Washer, 5/16" SAE Flat | | 10 |
| 14 | F05015-17 | Bolt, #10-24 x 1/2 Ph Pan Hd, Type 23 | | 7 |

| REF | PART # | DESCRIPTION | COMMENTS | QTY. |
|-----|------------|---|-----------------------------------|------|
| 15 | F05005-101 | Bolt, 1/4-20 x 1" Hex Head Grade 5 | | 2 |
| 16 | F05011-11 | Washer, 1/4" SAE Flat | | 8 |
| 17 | 076008 | Bushing, 1/4" IDx1/2" OD Nylon | | 2 |
| 18 | F05015-18 | Bolt, #8-32 x 1/2" SI Hex Head | | 2 |
| 19 | 024396-1 | Control Module, Power Feed SMT | | 1 |
| | 052294 | Suppressor Assembly, 92+ Power Feed | | 1 |
| 20 | F05010-41 | Nut, #8-32 Keps | | 2 |
| 21 | 053373 | H-Bridge Assembly, SimpleSet | | 1 |
| 22 | F05011-14 | Washer, 1/4" Split Lock | | 4 |
| 23 | F05010-129 | Nut, 1/4-20 Jam Heavy Duty | | 4 |
| 24 | F05010-69 | Nut, 1/4-20 Nylock | | 2 |
| 25 | F05010-58 | Nut, 5/16-18 Nylok Hex | | 2 |
| 26 | 024404 | Block, Diode Heat Sink | | 1 |
| | 024403 | Pad, Diode Block Insulating | | 1 |
| | 024409 | Insulator, Nylon Screw #10 1/2in | | 4 |
| 27 | F05010-14 | Nut, #10-24 Keps | | 4 |
| 28 | F05004-156 | Bolt, #10-24 x1 Unslotted Hex Head Grade 2 | | 4 |
| 29 | F05011-18 | Washer, #10 SAE Flat | | 4 |
| 30 | 053464 | Breaker, 10A Manual Reset | | 2 |
| 31 | F05010-9 | Nut, 1/4-20 Keps | | 2 |
| 32 | 053784 | Grommet, 25Pk 1-1/2" ID Rubber | | 1 |
| 33 | F05005-15 | Bolt, 1/4-20 x 1/2" Hex Head | | 2 |
| 34 | N/A | Drum Switch Parts | (See Section 5.2) | 2 |
| 35 | F05010-160 | Nut, 10-24 Hex Nylock | | 4 |
| 36 | F05011-18 | Washer, #10 SAE Flat | | 4 |
| 37 | F05005-31 | Bolt, 1/4-20x1 1/2 HH FT | | 1 |
| | 024387 | Module Assembly, Mosfet SMT 97+ P/F | | 1 |
| 38 | F05005-1 | Bolt, 1/4-20x3/4 FT HHC | | 2 |
| 39 | F05010-129 | Nut, 1/4-20 Jam Heavy Duty | | 2 |
| 40 | F05011-11 | Washer, 1/4" SAE Flat | | 6 |
| 41 | F05011-69 | Washer, 1/4" Int Star Heavy Duty | | 2 |
| | 073778 | Harness Assembly, LT35 Simple Set Drum Switch | | 1 |
| | 073502 | Harness Assembly, LT35 Upper (D17/G25 Only) | | 1 |
| | 073558 | Harness Assembly, LT35 Upper (D24 Only) | | 1 |
| | 053632-FR | Cable Assembly, Remote SimpleSet Sensor | | 1 |
| | 052363 | Diode Assembly, 96+ PF Replacement | | 1 |
| 42 | 016402 | DECAL, READ MANUAL WARNING | | 1 |
| 43 | S11753 | DECAL, EYE/EAR PROTECTION WARNING | | 1 |
| 44 | S11762 | DECAL, UP/DOWN CAUTION | | 1 |
| 45 | 015400 | DECAL, FRONT OUTRIGGER WARNING | | 1 |
| 46 | S12117 | DECAL, 800 NUMBER | | 1 |

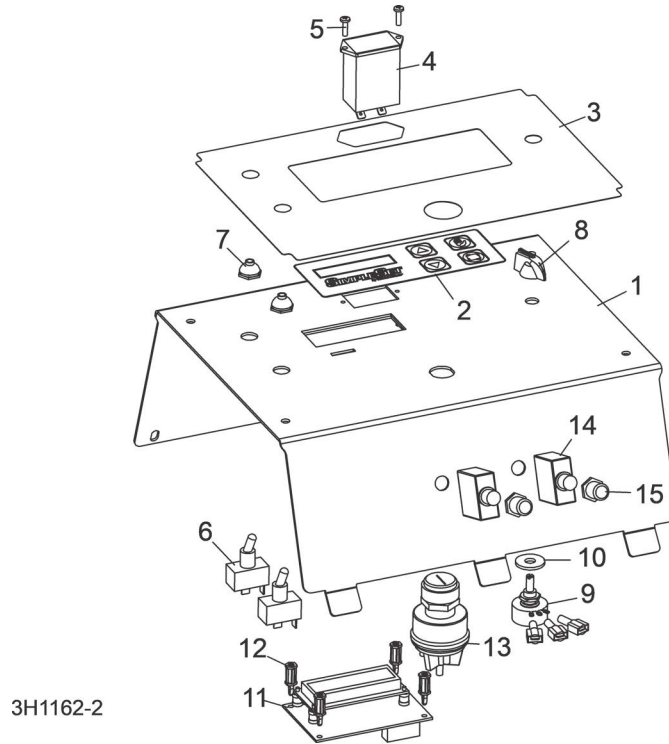
5.2 Drum Switches



3H0421

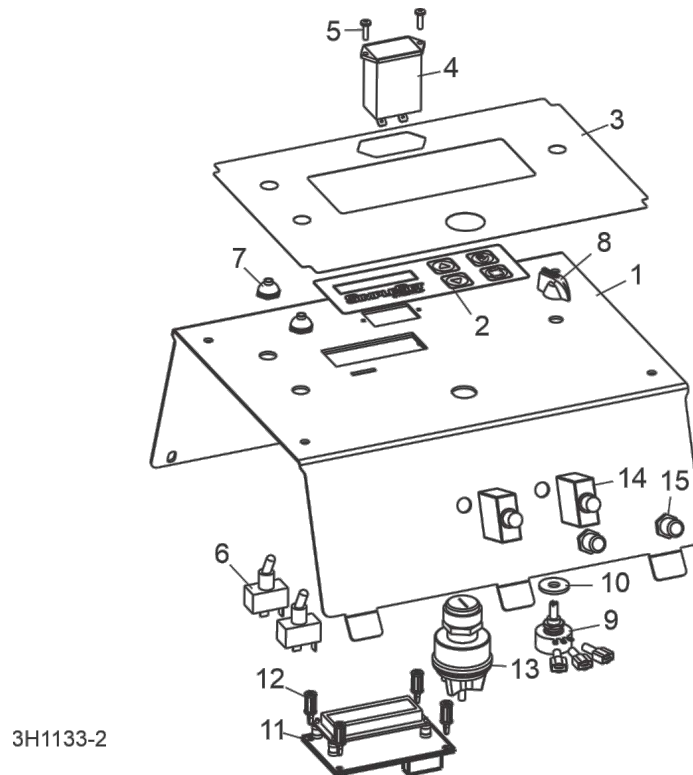
| REF | PART # | DESCRIPTION | COMMENTS | QTY. |
|-----|-----------|---|-------------------------------|------|
| | E20440 | SWITCH ASSEMBLY, UP/DOWN DRUM | | 1 |
| 1 | E20440-B | Switch, S12 Bulk Drum | Available in assemblies only. | 1 |
| 2 | P12570 | Spring, Drum Switch | | 1 |
| 3 | P12500 | Handle, Drum Switch Replacement | | 1 |
| | E20439 | SWITCH ASSEMBLY, POWER FEED DRUM | | 1 |
| 4 | E20439-B | Switch, S11 Bulk Drum | Available in assemblies only. | 1 |
| 5 | P12570 | Spring, Drum Switch | | 1 |
| 6 | P12500 | Handle, Drum Switch Replacement | | 1 |
| 7 | F05011-41 | WASHER, #8 SAE FLAT | | 6 |
| 8 | A20463 | CUP ASSEMBLY, DRUM SWITCH GREASE | | 1 |

5.3 Front Panel Assembly(2014-Present)

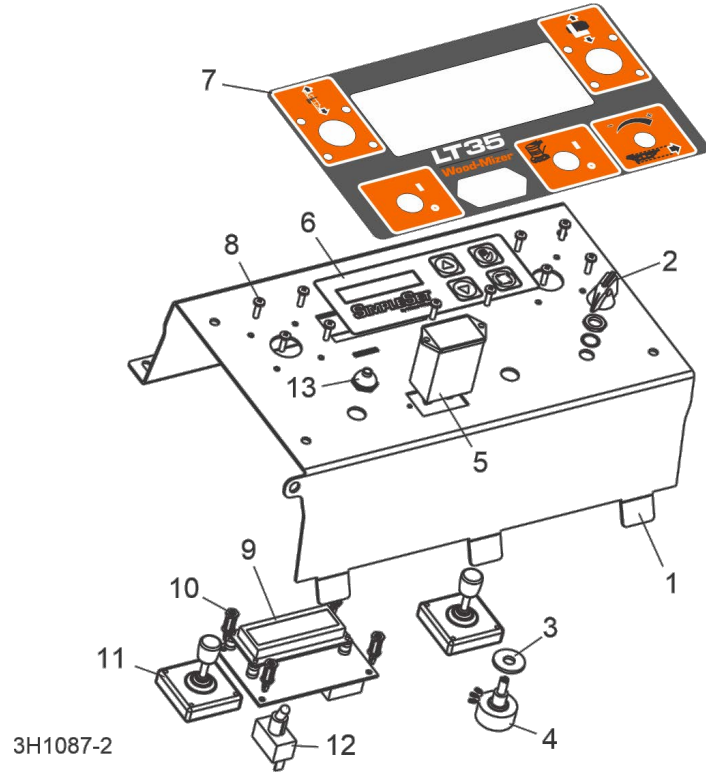


| REF | PART # | DESCRIPTION | COMMENTS | QTY. |
|-----------|-----------|--|----------|-------|
| | 073541 | PANEL ASSEMBLY, LT35 OPERATOR | | 1 |
| 1 | 071339 | Top Weldment, LT35 Control Box | | 1 |
| 2 | 053347 | Membrane, SimpleSet Switch | | 1 |
| 3 | 071341 | Decal LT35 Control Box | | 1 |
| 4 | 015401 | Meter, Hour | | 1 |
| 5 | F05015-28 | Screw, #6-32 x 1/2" Plain PH T23 | | 2 |
| 6 | P03027 | Switch, SPST On/Off 15A .25 Tabs Toggle | | 2 |
| 7 | P02575 | Boot, Toggle Switch | | 2 |
| 8 | P06257 | Knob, Speed Control | | 1 |
| 9 | 076050 | Pot Assembly, w/Terminals | | 1 |
| 10 | F05011-16 | Washer, 5/16" Standard Flat | | 1 |
| 11 | 073540-FR | SimpleSet Controller, LT35 (Field Replacement) | | 1 |
| 12 | 053385 | Standoff, 5/8" Threaded PCB | | 4 |
| 13 | P04350 | Switch, Key | | 1 |
| 14 | 021256 | Breaker, 50A Manual Reset Panel Mount | | 2 |
| 15 | 021253 | Boot, Circuit Breaker | | 2 |
| | R02309 | Foam, 3/16x1/2 Adhesive Back Rubber | | 2 ft. |

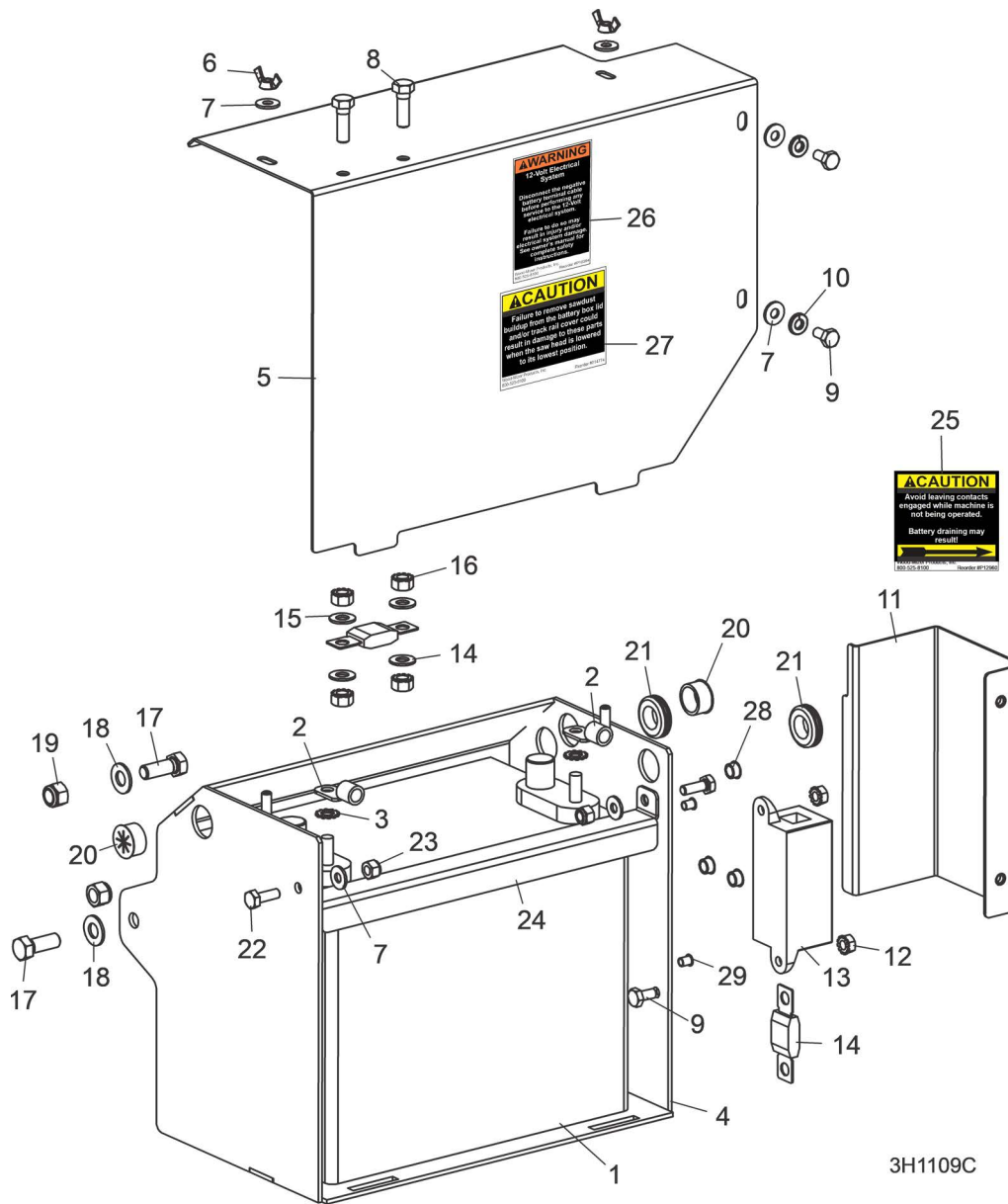
5.4 Front Panel Assembly (2013)



| REF | PART # | DESCRIPTION | COMMENTS | QTY. |
|-----|-----------|---|----------|-------|
| | 071338 | PANEL ASSEMBLY, LT35 OPERATOR | | 1 |
| 1 | 071339 | Top Weldment, LT35 Control Box | | 1 |
| 2 | 053347 | Membrane, SimpleSet Switch | | 1 |
| 3 | 071341 | Decal LT35 Control Box | | 1 |
| 4 | 015401 | Meter, Hour | | 1 |
| 5 | F05015-28 | Screw, #6-32 x 1/2" Plain PH T23 | | 2 |
| 6 | P03027 | Switch, SPST On/Off 15A .25 Tabs Toggle | | 2 |
| 7 | P02575 | Boot, Toggle Switch | | 2 |
| 8 | P06257 | Knob, Speed Control | | 1 |
| 9 | 076050 | Pot Assembly, w/Terminals | | 1 |
| 10 | F05011-16 | Washer, 5/16" Standard Flat | | 1 |
| 11 | 053774-FR | SimpleSet Controller, (Field Replacement) | | 1 |
| 12 | 053385 | Standoff, 5/8" Threaded PCB | | 4 |
| 13 | P04350 | Switch, Key | | 1 |
| 14 | 021256 | Breaker, 50A Manual Reset Panel Mount | | 2 |
| 15 | 021253 | Boot, Circuit Breaker | | 2 |
| | R02309 | Foam, 3/16x1/2 Adhesive Back Rubber | | 2 ft. |



5.5 Battery Box Assembly



| REF | PART # | DESCRIPTION | COMMENTS | QTY. |
|-----|-----------|--|----------|------|
| | 065583 | BATTERY BOX ASSEMBLY, LT35 | | 1 |
| 1 | P12315 | Battery, Deka 12V, 24M77 800CCA 1000CA | | 1 |
| 2 | F05092-16 | Terminal, 5/16 1-2 Ga Ring NI Loose | | 2 |
| 3 | F05011-33 | Washer, 5/16" Star | | 2 |
| 4 | 062542 | Box Weldment, LT35 Battery | | 1 |
| 5 | 062546 | Cover, LT35 Battery | | 1 |
| 6 | F05010-13 | Nut, 1/4-20 Wing | | 2 |
| 7 | F05011-11 | Washer, 1/4" SAE Flat | | 6 |
| 8 | F05006-1 | Bolt, 5/16-18 X 1 Hex Head | | 2 |
| 9 | F05005-15 | Bolt, 1/4-20 x 1/2" Hex Head | | 6 |
| 10 | F05011-14 | Washer, 1/4" Split Lock | | 2 |
| 11 | 065040 | Cover Weldment, LT35 Fuse | | 1 |
| 12 | F05010-9 | Nut, 1/4-20 Keps | | 2 |

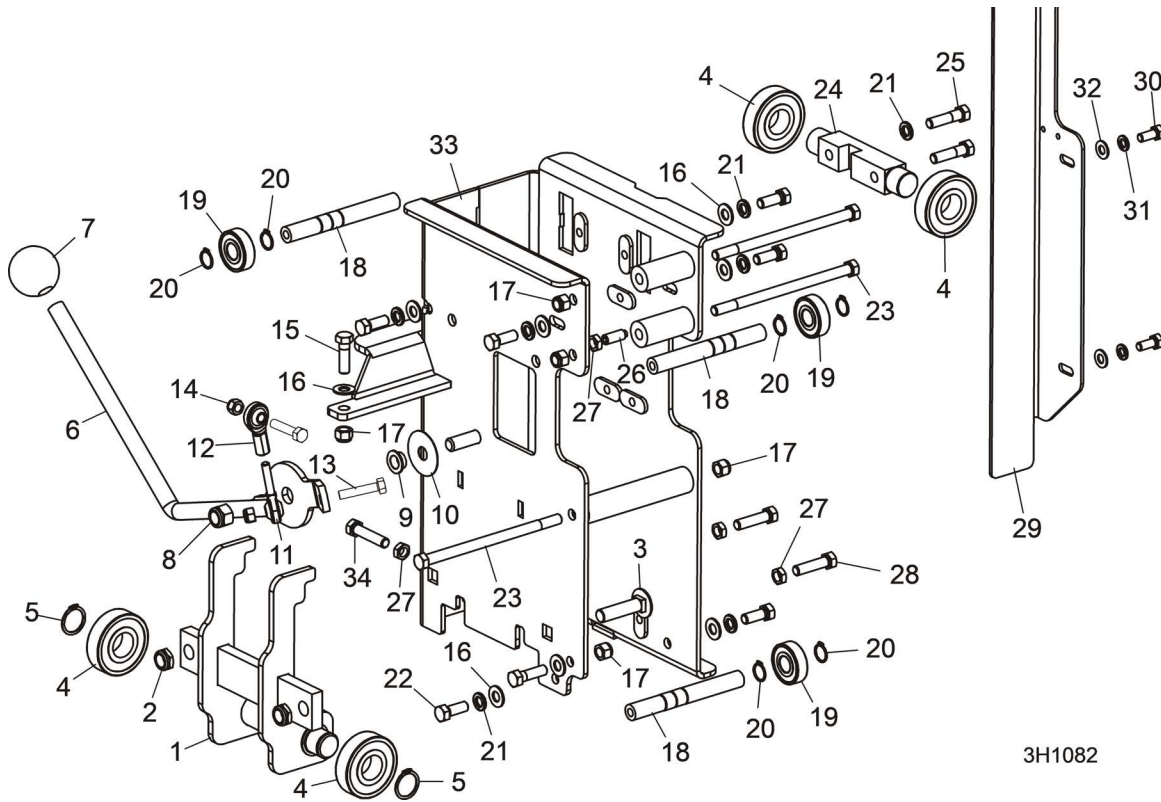
5 Control & Battery Boxes

Battery Box Assembly

| REF | PART # | DESCRIPTION | COMMENTS | QTY. |
|-----|------------|--------------------------------------|------------------------------------|------|
| 13 | 052371 | Fuseholder, Mega Fuse | | 1 |
| 14 | 052370-150 | Fuse, 150A Mega | | 2 |
| 15 | F05011-17 | Washer, 5/16" SAE Flat | | 4 |
| 16 | F05010-20 | Nut, 5/16-18 Keps | | 4 |
| 17 | F05007-87 | Bolt, 3/8-16 x 1" Hex Head Grade 5 | | 2 |
| 18 | F05011-3 | Washer, 3/8" Flat Sae | | 2 |
| 19 | F05010-10 | Nut, 3/8-16 Hex Nyloc | | 2 |
| 20 | P04137 | Grommet, 5/8" Wire | | 2 |
| 21 | P11764 | Grommet, 5/8" ID Rubber | | 2 |
| 22 | F05005-123 | Bolt, 1/4-20 x 3/4" Hex Head Grade 5 | | 2 |
| 23 | F05010-69 | Nut, 1/4-20 Nylock | | 2 |
| 24 | 065082 | Plate, Battery Hold Down | | 1 |
| 25 | P12960 | Decal, Hydraulic Contact Caution | | 1 |
| 26 | P10364 | Decal, 12V Warning | | 1 |
| 27 | 014774 | Decal, Battery Box Lid Caution | | 1 |
| 28 | 014537 | Plug, 13/32" Plastic | | 3 |
| 29 | 003954 | Plug, 1/4" Black Plastic | | 2 |
| | | Hydraulic Positive Contact Parts | (See Section 10.3) | |

SECTION 6 UP/DOWN SYSTEM

6.1 Saw Head Mount

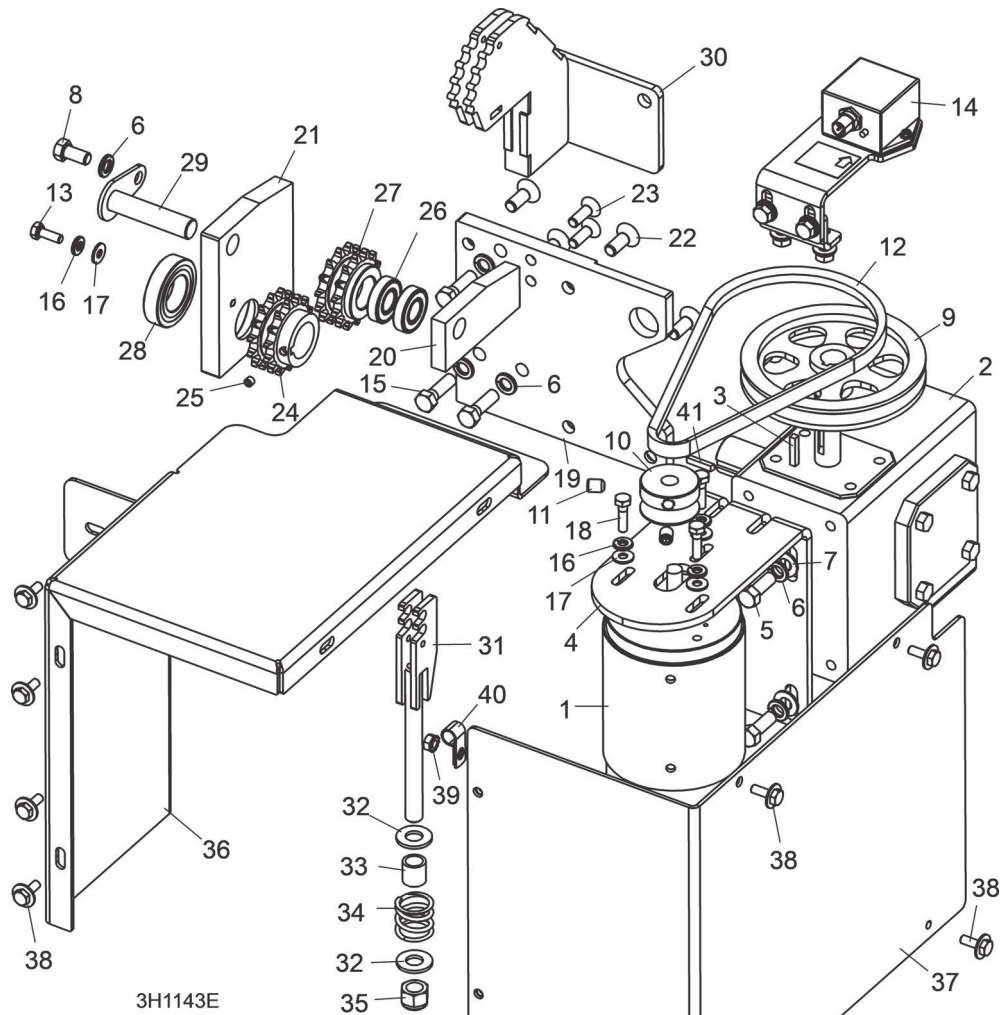


3H1082

| REF | PART # | DESCRIPTION | COMMENTS | QTY. |
|-----|------------|--|----------|------|
| | 062519 | BOX ASSEMBLY, LT35 MAST | | 1 |
| 1 | 048562 | Adjustment Weldment, Head LT28 | | 1 |
| 2 | F05010-127 | Nut, 1/2-13 Half Nylon Lock | | 2 |
| 3 | F05008-132 | Bolt, 1/2-13x2 Carriage | | 2 |
| 4 | P08066 | Bearing, .9843" x 2.4409" x .6693" | | 4 |
| 5 | F04254-26 | Ring, 25mm 5100-98 OR | | 1 |
| 6 | 003327 | Plate, Clutch Handle | | 1 |
| 7 | P04211 | Knob, 5/8-18 Ball | | 1 |
| 8 | F05010-8 | Nut, 1/2-13 Nylon Hex Lock | | 1 |
| 9 | P08060 | Bearing, SF1260-6 Bronze | | 1 |
| 10 | 014972 | Washer, 33/64 x 1 3/4 x 1/32 Nylon | | 1 |
| 11 | P09814 | Rod, 5/16-24 Male End | | 1 |
| 12 | P09813 | Rod, 5/16-24 Female End | | 1 |
| 13 | F05008-96 | Bolt, 5/16-18 x 1 1/2" Hex Head | | 2 |
| 14 | F05010-58 | Nut, 5/16-18 Nylon Lock | | 2 |
| 15 | F05007-123 | Bolt, 3/8-16 x 1 1/4" Hex Head Grade 5 | | 1 |
| 16 | F05011-3 | Washer, 3/8" SAE Flat | | 6 |
| 17 | F05010-10 | Nut, 3/8-16 Hex Nylon Lock | | 5 |
| 18 | 048559 | Shaft, Bearing Mount | | 3 |
| 19 | P06030-1 | Bearing, 5/8" x 1.7548" x .4724" | | 3 |
| 20 | F04254-2 | Ring, 5/8" OR 5100-62 | | 6 |

| REF | PART # | DESCRIPTION | COMMENTS | QTY. |
|-----|------------|--|----------|------|
| 21 | F05011-4 | Washer, 3/8" Split Lock | | 7 |
| 22 | F05007-87 | Bolt, 3/8-16 x 1" Hex Head Grade 5 | | 5 |
| 23 | F05007-205 | Bolt, 3/8-16 X 6 1/2" Hex Head Grade 5 | | 3 |
| 24 | 048560 | Shaft, Fixed Mount | | 1 |
| 25 | F05007-78 | Bolt, 3/8-16 x 1 1/2" Hex Head Grade 5 | | 2 |
| 26 | F05007-88 | Screw, 3/8-16x1 Scoket Head Set Brass Tip | | 2 |
| 27 | F05010-29 | Nut, 3/8-16 Jam | | 2 |
| 28 | F05007-17 | Bolt, 3/8-16 x 1 1/2" Hex Head Full Thread | | 2 |
| 29 | 049133 | Plate, Scale Mount | | 1 |
| 30 | F05006-102 | Bolt, 5/16-18 x 3/4" Hex Head | | 2 |
| 31 | F05011-13 | Washer, 5/16" Split Lock | | 2 |
| 32 | F05011-17 | Washer, 5/16" SAE Flat | | 2 |
| 33 | 062516 | Box Weldment, LT35 Mast | | 1 |
| 34 | F05007-19 | Bolt, 3/8-16 x 1 3/4" Hex Head Full Thread | | 1 |
| 35 | F05007-64 | Screw, 3/8-16 x 1" Zinc & Bake FSHC | | 1 |

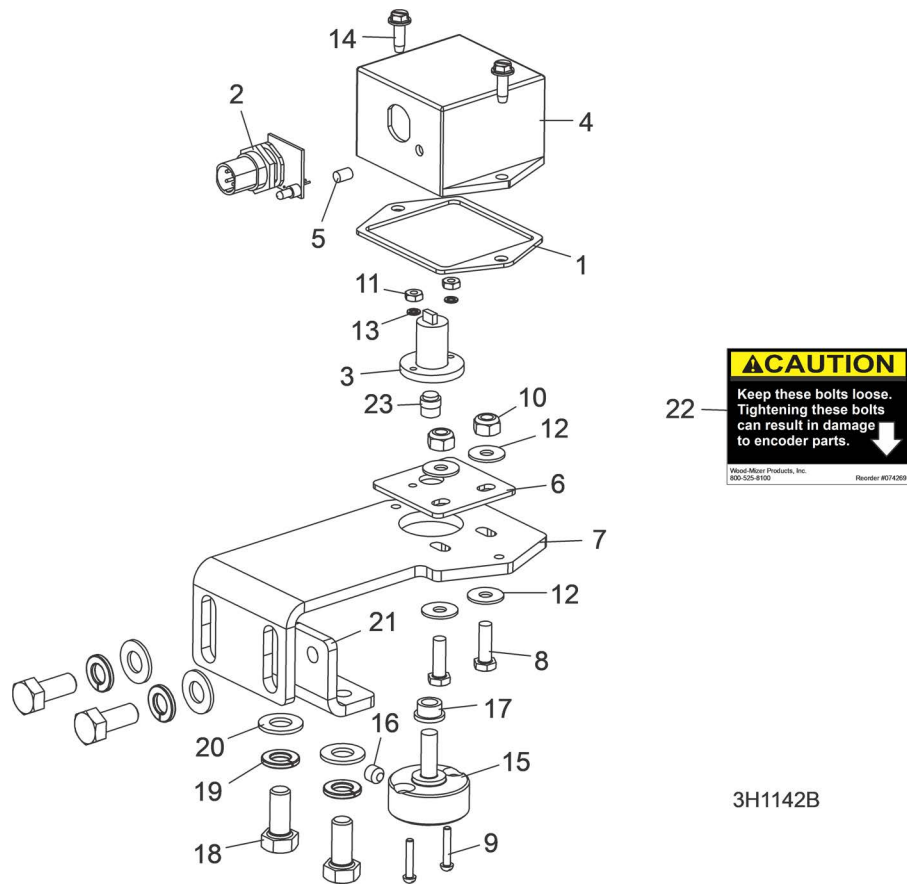
6.2 Up/Down Assembly



| REF | PART # | DESCRIPTION | COMMENTS | QTY. |
|-----------|------------|---------------------------------------|----------|------|
| | 062515 | MAST ASSEMBLY, LT35 | | 1 |
| | 066799 | Up/Down Assembly, LT35 | | 1 |
| 1 | 006747 | Motor, 1/2HP 12VDC | | 1 |
| | 061794 | Brush Kit, 12V Motor | | 1 |
| 2 | 074166 | Gear Box, Up/Down Grove | | 1 |
| | 076149 | Gear Box, Up/Down Grove | | 1 |
| | L04869-3 | Gear Oil, ISO 460 Synthetic Bulk | | 1 |
| 3 | S31027 | Key, 3/16" x 1" Square | | 1 |
| 4 | 008721 | Bracket, Up/Down Motor 3/4HP | | 1 |
| 5 | F05007-7 | Bolt, 3/8-16 x 1" Hex Head Cap | | 4 |
| 6 | F05011-4 | Washer, 3/8" Split Lock | | 8 |
| 7 | F05011-3 | Washer, 3/8" SAE Flat | | 4 |
| 8 | F05007-118 | Bolt, 3/8-16 x 3/4" Hex Head Grade 5 | | 1 |
| 9 | 066781 | Sheave, 5.45 OD 3/4 Bore 4L | | 1 |
| 10 | S09579 | Sheave, 1 3/4" Feed Motor | | 1 |
| 11 | F05007-12 | Screw, 3/8-16 x 1/2" SH Cup Pt Set | | 2 |
| 12 | 038459 | Belt, 4L245 Notched | | 1 |
| 13 | F05005-1 | Bolt, 1/4-20 x 3/4" Full Thread HHCap | | 1 |

| REF | PART # | DESCRIPTION | COMMENTS | QTY. |
|-----|------------|---|--------------------------|------|
| 14 | | Magnetic Position Sensor Parts | <i>(See Section 6.3)</i> | |
| 15 | F05007-123 | Bolt, 3/8-16 x 1 1/4" Hex Head Grade 5 | | 3 |
| 16 | F05011-14 | Washer, 1/4" Split Lock | | 4 |
| 17 | F05011-11 | Washer, 1/4" SAE Flat | | 4 |
| 18 | F05005-38 | Screw, 1/4-20 x 1" Hex Head Cap | | 3 |
| 19 | 066797 | Plate, LT35 Up/Down Mounting | | 1 |
| 20 | 066789 | Plate, Up/Down Sprocket Support | | 1 |
| 21 | 066795 | Plate, Up/Down Bearing Mount | | 1 |
| 22 | F05007-64 | Screw, 3/8-16 x 1" Zinc & Bake FSHC | | 5 |
| 23 | F05006-22 | Bolt, 5/16-18 x 1" FHS | | 2 |
| 24 | 066794 | Sprocket, D40B14 x 1-1/8" Keyed Bore | | 1 |
| 25 | F05005-131 | Screw, 1/4-20 x 1/4" SH Cup Pt Set | | 1 |
| | 074932 | Sprocket Assembly, D40B14 Idler | | 1 |
| 26 | 074931 | Bearing, 6202-16mm-2RLD | | 2 |
| 27 | 074930 | Sprocket, D40B14x1.376 Bore | | 1 |
| 28 | 066798 | Bearing, 1-1/8 Bore R18-2Rs | | 1 |
| 29 | 066783 | Pin Weldment, 5/8" x 2 3/4" | | 1 |
| 30 | 062526 | Mount Weldment, LT35 Upper Chain | | 1 |
| | 062527 | Tensioner Assembly, LT35 Up/Down Chain | | 1 |
| 31 | 062528 | Tensioner Weldment, LT35 Up/Down Chain | | 1 |
| 32 | F05011-2 | Washer, 1/2" SAE Flat | | 2 |
| 33 | 016515 | Spacer, Up/Down Chain Tensioner | | 1 |
| 34 | 016516 | Spring, 1" OD x 1" Long x .125 Wire Comp | | 1 |
| 35 | F05010-8 | Nut, 1/2-13 Hex Nylon Lock | | 1 |
| | 074022 | Chain, Double #40x 117 Pitches(58-1/2") | | 1 |
| | 017724 | Link, #40 Double, Connecting | | 2 |
| 36 | 076152 | GUARD WELDMENT, LT35 UP/DOWN | | 1 |
| 37 | 076153 | COVER WELDMENT, LT35 UP/DOWN GUARD | | 1 |
| 38 | F05005-134 | BOLT, 1/4-20 X 1/2" HEX HEAD | | 7 |
| 39 | F05010-9 | NUT, 1/4-20 KEPS | | 1 |
| 40 | P07584 | CLAMP, 1/2EMT COATED | | 1 |
| 41 | S04124 | KEY, 1/4" X 1 11/16" | | 1 |

6.3 Magnetic Position Sensor Assembly



CAUTION
Keep these bolts loose. Tightening these bolts can result in damage to encoder parts.
Wood-Mizer Products, Inc.
800-525-8100 Recorder #074269

3H1142B

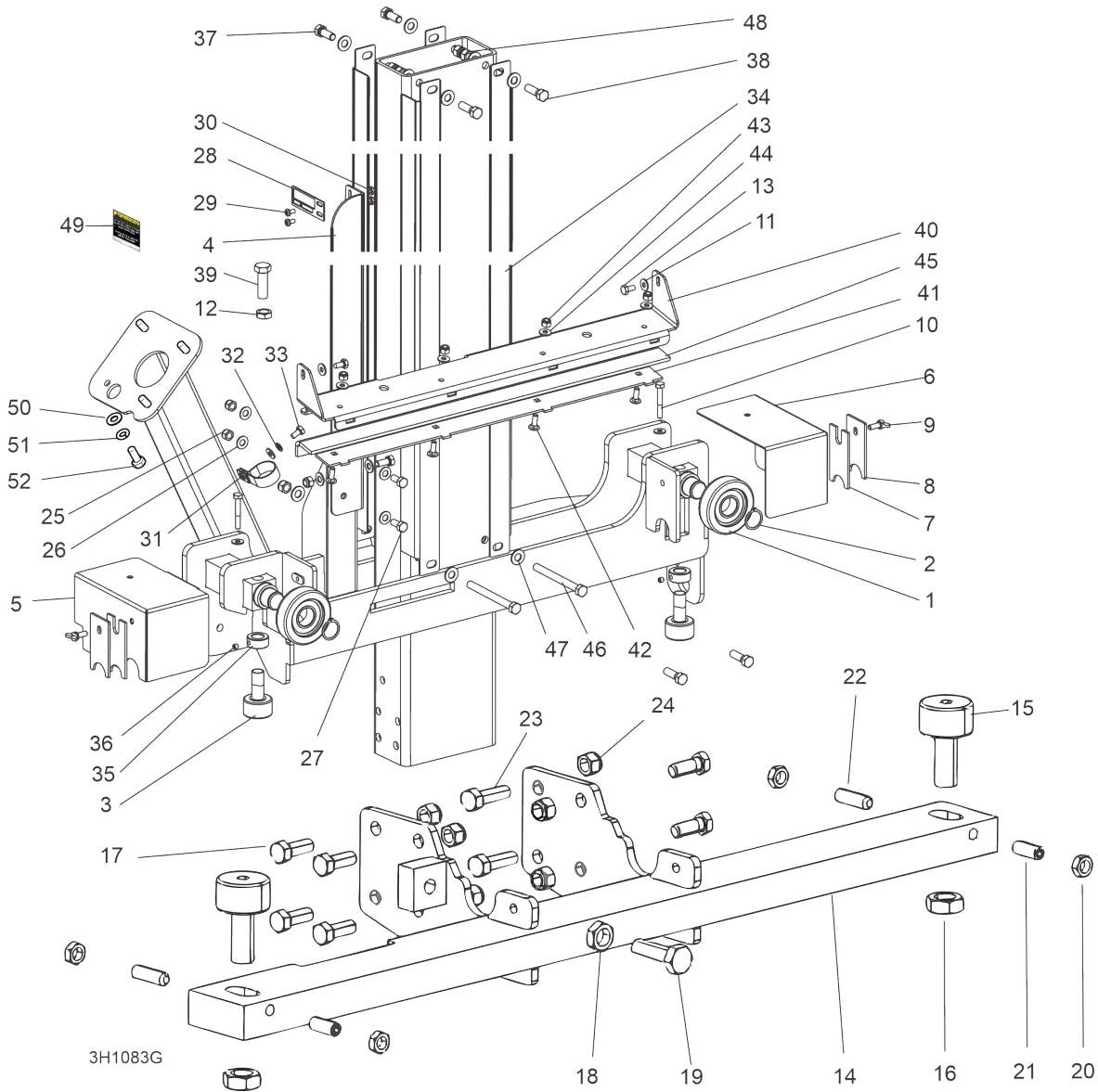
| REF | PART # | DESCRIPTION | COMMENTS | QTY. |
|-----|------------|--|-------------------------------|------|
| | 053369 | SENSOR ASSEMBLY, MAGNETIC POSITION | | 1 |
| 1 | 006864 | Gasket, Encoder | | 1 |
| 2 | 053376 | PCB Assembly, Encoder Sensor | Available in assemblies only. | 1 |
| 3 | 053387 | Sensor Kit, Magnetic Encoder | | 1 |
| 4 | 053399 | Enclosure, Position Sensor | | 1 |
| 5 | 053400 | Lens, LED T1 Clear | | 1 |
| 6 | 057853 | Plate, SimpleSet Encoder Slide | | 1 |
| 7 | 061518 | Plate, SimpleSet Encoder Mount | | 1 |
| 8 | F05004-18 | Screw, 10-24 x 5/8" Unsl Indent Hex Head Machine | | 2 |
| 9 | F05004-49 | Screw, #4-40 x 5/8" Sl Rnd Head Machine | | 2 |
| 10 | F05010-160 | Nut, 10-24 Hex Nylock | | 2 |
| 11 | F05010-43 | Nut, #4-40 Hex | | 2 |
| 12 | F05011-18 | Washer, #10 SAE Flat | | 4 |
| 13 | F05011-21 | Washer, #4 Split Lock | | 2 |
| 14 | F05015-18 | Bolt, #8-32 x 1/2" Sl Hex Head S | | 2 |
| 15 | 057852 | Extension, SimpleSet Gearbox Shaft | | 1 |
| 16 | F05005-131 | Screw, 1/4-20 x 1/4" SH Cup Pt Set | | 1 |
| 17 | 049018 | Bushing, Flange 1/4" ID x 1/4" Lg | | 1 |
| 18 | F05006-5 | Bolt, 5/16-18 x 3/4" Hex Head Cap | | 4 |

6 **Up/Down System**
Magnetic Position Sensor Assembly

| REF | PART # | DESCRIPTION | COMMENTS | QTY. |
|-----|-----------|---|----------|------|
| 19 | F05011-13 | Washer, 5/16" Split Lock | | 4 |
| 20 | F05011-17 | Washer, 5/16" SAE Flat | | 4 |
| 21 | 057872 | Plate, SimpleSet Mount | | 1 |
| 22 | 074269 | Decal, Encoder Bolt Warning | | 1 |
| 23 | 065890 | Magnet Assembly, Simple Set Encoder w/Hub | | 1 |

SECTION 7 FEED SYSTEM & TRACK ROLLERS

7.1 Track Rollers And Wipers

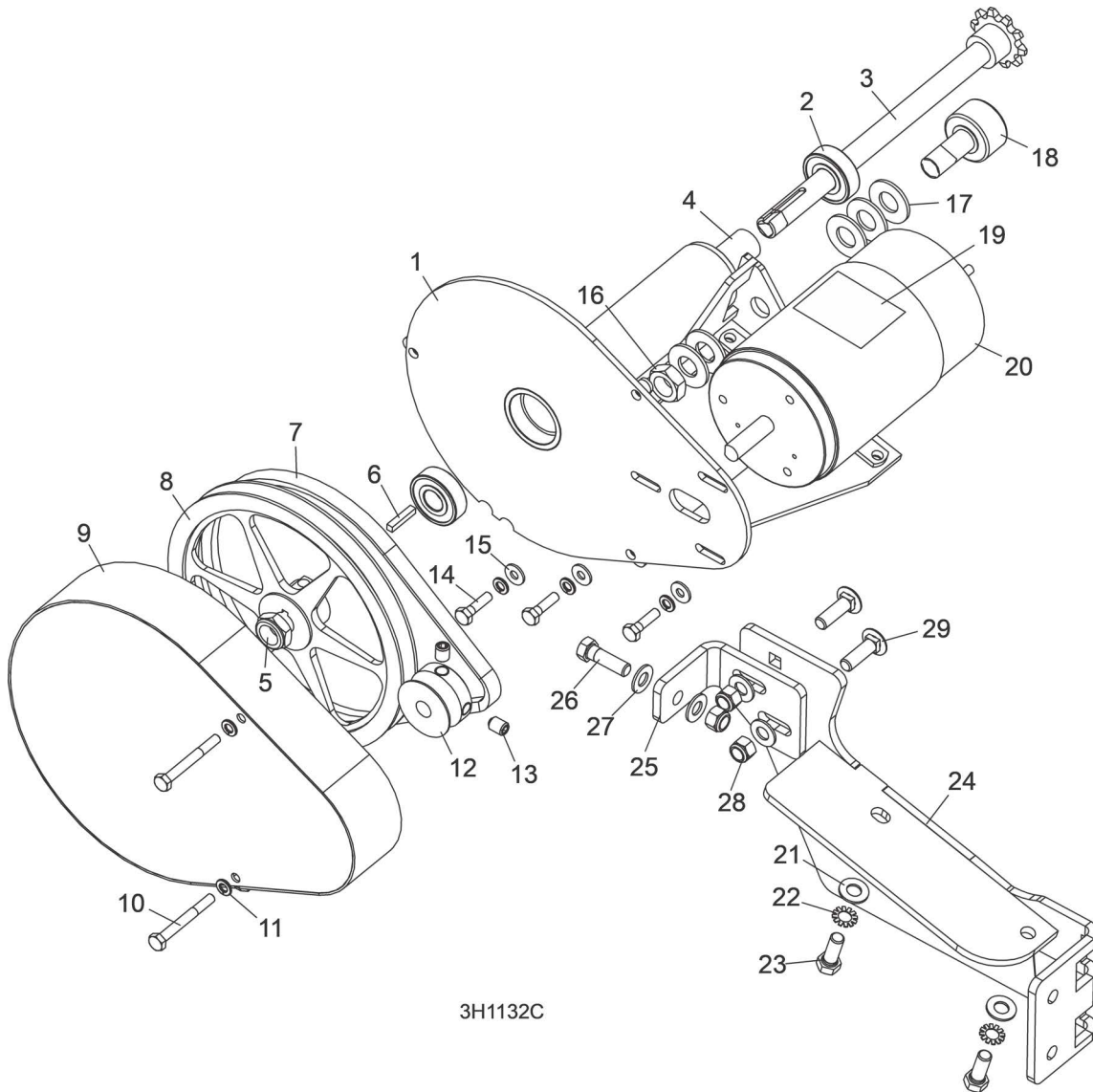


| REF | PART # | DESCRIPTION | COMMENTS | QTY. |
|-----------|-----------|--|----------|------|
| | 062514 | UPRIGHT ASSEMBLY, LT35 | | 1 |
| 1 | 023857 | Bearing, MG305DDA | | 2 |
| 2 | F04254-15 | Ring, 1" Outer Retaining | | 2 |
| 3 | 012797 | Bearing, Cam Follower 1 1/2" (McGill) | | 2 |
| 4 | 062537 | Plate, LT35 Pointer Mount | | 1 |
| 5 | 049342 | Cover Weldment, Rear Bearing | | 1 |
| 6 | 049341 | Cover Weldment, Front Bearing | | 1 |
| 7 | M04113 | Wiper, Top Rail | | 2 |
| 8 | 034229 | Plate, Track Wiper | | 2 |
| 9 | F05005-64 | Stud, 1/4-20 x 5/8" Wing | | 2 |
| 10 | F05005-68 | Bolt, 1/4-20 x 1 3/4" Hex Head Grade 5 | | 2 |
| 11 | F05011-11 | Washer, 1/4" SAE Flat | | 5 |

| REF | PART # | DESCRIPTION | COMMENTS | QTY. |
|-----|------------|--|----------|------|
| 12 | F05010-31 | Nut, 1/2-13 Jam | | 1 |
| 13 | F05005-137 | Bolt, 1/4-20x5/8 HH Gr5 | | 2 |
| | 057924 | Bracket Assy, Lower Cam | | 1 |
| 14 | 057920 | Bearing Weldment, Lower Cam | | 1 |
| 15 | 012797 | Bearing, Cam Follower 1 1/2 | | 2 |
| 16 | F05010-11 | Nut, 5/8-18 Hex Jam | | 2 |
| 17 | F05007-87 | Bolt, 3/8-16x1 Gr5 HH | | 6 |
| 18 | F05010-31 | Nut, 1/2-13 Zinc Jam | | 1 |
| 19 | F05008-33 | Bolt, 1/2-13x1 1/2 HH Gr5 | | 1 |
| 20 | F05010-22 | Nut, 3/8-24 UNC Hex Jam | | 4 |
| 21 | F05007-184 | Screw, 3/8-24x1 SHFP Set SS | | 2 |
| 22 | F05007-96 | Screw, 3/8-24x1.25 Sh Flpt Stnls | | 2 |
| 23 | F05007-123 | Bolt, 3/8-16x 1 1/4 HH Gr5 | | 2 |
| 24 | F05010-10 | Nut, 3/8-16 Hex Nyl Lock | | 8 |
| 25 | F05010-58 | Nut, 5/16-18 Nylok Hex | | 3 |
| 26 | F05011-17 | Washer, 5/16" SAE Flat | | 6 |
| 27 | F05006-5 | Bolt, 5/16-18 x 3/4" Hex Head | | 3 |
| 28 | 017778 | Pointer, Scale Height | | 1 |
| 29 | F05004-3 | Bolt, #10-24 x 3/8" CrSI PH | | 2 |
| 30 | F05010-14 | Nut, #10-24 Keps | | 2 |
| 31 | 038482 | Clamp, 1-1/4 Carbon Steel Conduit | | 1 |
| 32 | F05011-14 | Washer, 1/4" Split Lock | | 1 |
| 33 | F05005-15 | Bolt, 1/4-20 x 1/2" Hex Head | | 1 |
| 34 | 048614 | Angle, LT28 Mast Tube Stainless | | 4 |
| | P05035 | Collar, 5/8" x 1-1/8" Lock | | 2 |
| 35 | P05035-1 | Collar, 5/8" x 1-1/8" Lock | | 1 |
| 36 | F05005-105 | Screw, 1/4-28 x 1/4" BO SH Cup Set | | 1 |
| 37 | F05007-87 | Bolt, 3/8-16 x 1" Hex Head Grade 5 | | 2 |
| 38 | F05007-123 | Bolt, 3/8-16 x 1 1/4" Hex Head Grade 5 | | 2 |
| 39 | F05008-33 | Bolt, 1/2-13 x 1 1/2" Hex Head Grade 5 | | 1 |
| | 110614 | Cover Assembly, LT28/35/70 Track | | 1 |
| 40 | 110610 | Cover, Mid Track, LT28, LT35, LT70 | | 1 |
| 41 | 110611 | Retainer, Felt Oiler | | 1 |
| 42 | F05005-113 | Bolt, 1/4-20x3/4 Carriage | | 4 |
| 43 | F05010-69 | Nut, 1/4-20 Nylock | | 4 |
| 44 | F05011-11 | Washer, 1/4 SAE Flat | | 4 |
| 45 | S09915 | Felt, Middle Track Oiler LT40/50/70 | | 1 |
| 46 | F05007-92 | Bolt, 3/8-16 x 4" HH Full Thread Grade 5 | | 2 |
| 47 | F05011-3 | Washer, 3/8" SAE Flat | | 12 |
| 48 | F05010-10 | Nut, 3/8-16 Hex Nylon Lock | | 10 |
| 49 | S11762 | DECAL, SAW HEAD UP/DOWN CAUTION | | 1 |
| 50 | F05011-17 | Washer, 5/16 SAE Flat | | 4 |
| 51 | F05011-13 | Washer, 5/16 Split Lock | | 4 |
| 52 | F05006-53 | Bolt, 5/16-18x5/8 HH Gr2 | | 4 |

7.2 Power Feed Assembly (2013-Present)

LT35 Rev. A4.00+
LT35HD Rev. A4.00+



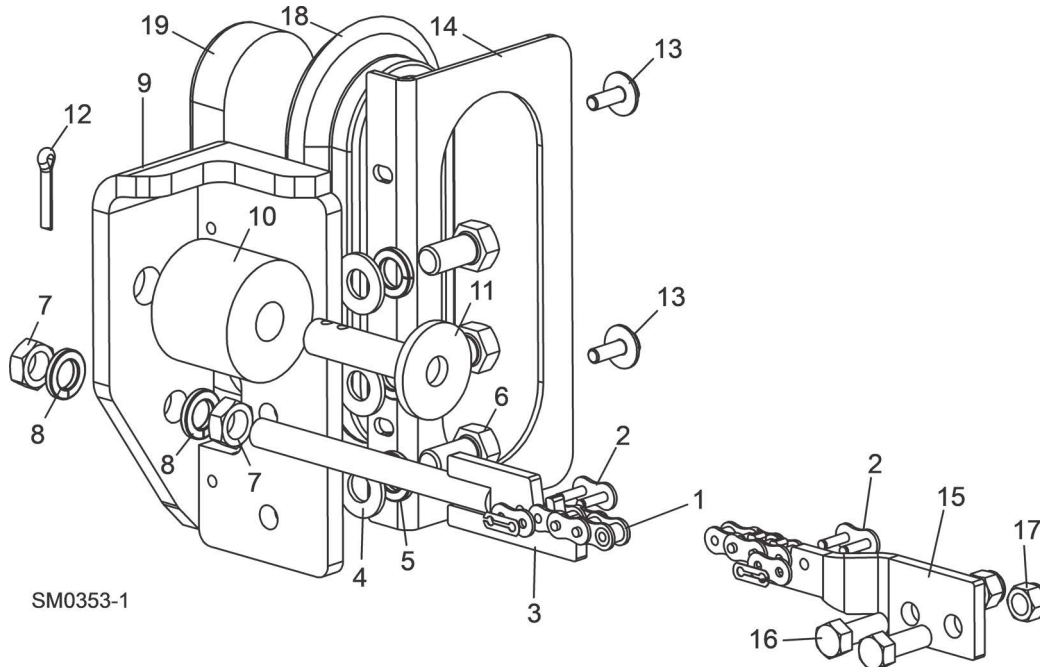
3H1132C

| REF | PART # | DESCRIPTION | COMMENTS | QTY. |
|-----|------------|--------------------------------------|-------------------------------|------|
| | 066999 | POWER FEED ASSEMBLY, LT35 | | 1 |
| | 066990 | Feed Assembly, LT35 Saw Head Power | | 1 |
| 1 | 066991 | Mount Weldment, LT35 Power Feed | | 1 |
| 2 | P06030-1 | Bearing, 5/8" x 1.5748 x .4724 | | 2 |
| | 079800 | Shaft Upgrade, Power Feed | | 1 |
| 3 | 079798 | Shaft Weldment, Power Feed, Threaded | Available in assemblies only. | 1 |
| 4 | 079799 | Spacer, Bearing, Power Feed | | 1 |
| 5 | F05010-101 | Nut, 5/8-18 Nyl Jam | | 1 |
| 6 | S31027 | Key, 3/16" Square x 1" Long | | 1 |
| 7 | P04031 | Belt, 4L280 | | 1 |
| 8 | P04343 | Sheave, 8A x 5/8" | | 1 |
| 9 | W11613 | Cover Weldment, Power Feed | | 1 |

7 Feed System & Track Rollers
Power Feed Assembly (2013-Present)

| REF | PART # | DESCRIPTION | COMMENTS | QTY. |
|-----|------------|---|----------|------|
| 10 | F05005-32 | Screw, 1/4-20 x 2 1/4" Hex Head | | 2 |
| 11 | F05011-14 | Washer, 1/4" Split Lock | | 5 |
| 12 | S09579 | Shave, 1 3/4" Feed Motor | | 1 |
| 13 | F05007-12 | Screw, 3/8-16 x 1/2" SH Cup | | 2 |
| 14 | F05005-101 | Bolt, 1/4-20 x 1" Hex Head Grade 5 | | 1 |
| 15 | F05011-11 | Washer, 1/4" SAE Flat | | 3 |
| 16 | F05010-11 | Nut, 5/8-18 Hex Jam | | 1 |
| 17 | F05011-5 | Washer, 5/8" SAE Flat | | 6 |
| 18 | 012797 | Bearing, Cam Follower 1 1/2" | | 1 |
| 19 | 024431 | Decal, Disconnect Motor Leads Warning | | 1 |
| 20 | 006747 | Motor, 1/2HP 12VDC | | 1 |
| | 061794 | Brush Kit, 12V Motor | | 1 |
| 21 | F05011-3 | Washer, 3/8" Sae Flat | | 2 |
| 22 | F05011-36 | Washer, 3/8" Star External | | 2 |
| 23 | F05007-82 | Bolt, 3/8-16 x 1" Hex Head Grade 8 | | 2 |
| 24 | 066995 | Mount Weldment, Power Feed Motor | | 1 |
| 25 | 066998 | Plate, Power Feed Drive | | 1 |
| 26 | F05007-123 | Bolt, 3/8-16 x 1 1/4" Hex Head Grade 5 | | 1 |
| 27 | F05011-3 | Washer, 3/8" Sae Flat | | 4 |
| 28 | F05010-10 | Nut, 3/8-16 Hex Nylon Lock | | 3 |
| 29 | F05007-127 | Bolt, 3/8-16 x 1 1/4" Carriage Head Grade 5 | | 2 |

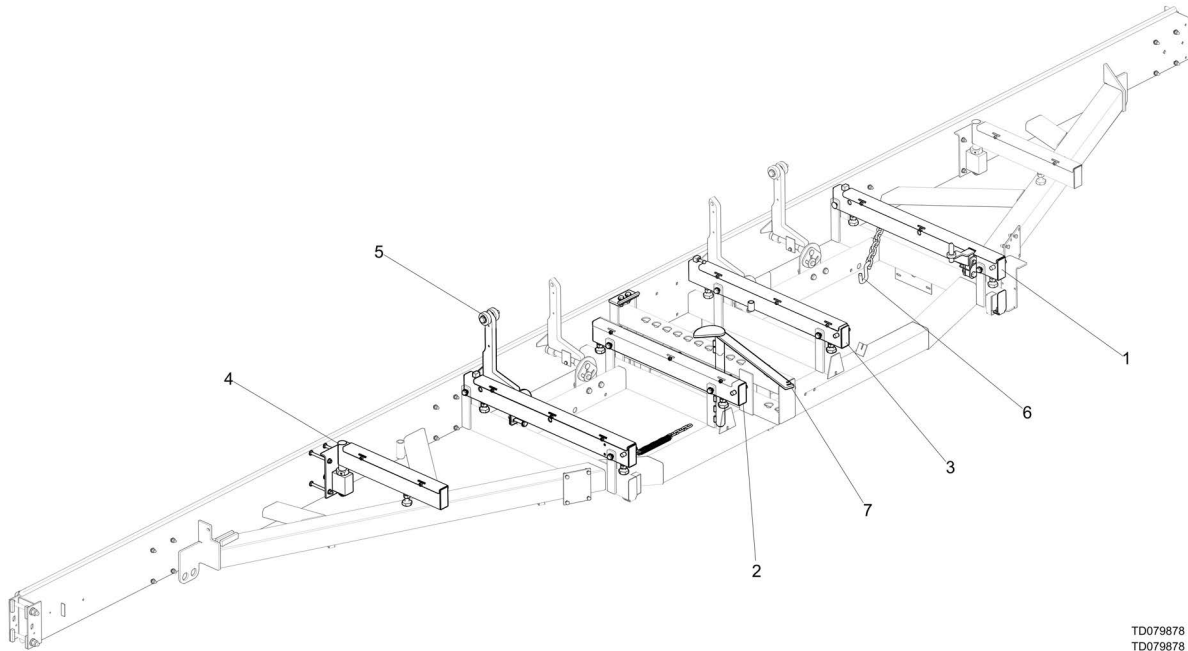
7.3 Feed Chain/Stop



| REF | PART # | DESCRIPTION | COMMENTS | QTY. |
|-----|------------|---|----------|------|
| 1 | 014745 | CHAIN, #40 X 267.5" LT40 FEED | | 1 |
| 2 | P04200 | LINK, #40 MASTER | | 2 |
| 3 | 015721 | TENSIONER WELDMENT, POWER FEED CHAIN | | 1 |
| 4 | F05011-2 | WASHER, 1/2" SAE FLAT | | 3 |
| 5 | F05011-9 | WASHER, 1/2" SPLIT LOCK | | 3 |
| 6 | F05008-128 | BOLT, 1/2-13 X 1" HEX HEAD GRADE 8 | | 3 |
| 7 | F05010-16 | NUT, 1/2-20 HEX JAM | | 2 |
| 8 | F05011-9 | WASHER, 1/2" SPLIT LOCK | | 2 |
| 9 | 006686 | BRACKET WELDMENT, REAR FEED STOP | | 1 |
| | K09630 | STOP KIT, RUBBER CARRIAGE | | 2 |
| 10 | P12165 | Stop, Rubber Carriage | | 1 |
| 11 | W09293 | Pin, Rubber Carriage Stop | | 1 |
| 12 | F05012-21 | Pin, 3/16" X 1" Cotter | | 1 |
| 13 | F05005-134 | BOLT, 1/4-20 X 3/4" WITH CONICAL WASHER | | 1 |
| 14 | 057822 | PLATE, BED TUBE END W/LIGHT MOUNT | | 1 |
| 15 | 015008 | BRACKET, FRONT FEED CHAIN MOUNT | | 1 |
| 16 | F05007-87 | BOLT, 3/8-16 X 1" HEX HEAD GRADE 5 | | 2 |
| 17 | F05010-10 | NUT, 3/8-16 HEX NYLON LOCK | | 2 |
| 18 | 006688 | GROMMET, 6 1/2" LIGHT MOUNTING | | 1 |
| 19 | 006391 | LIGHT, 8 DIODE LED TAIL | | 1 |

SECTION 8 BED FRAME ASSEMBLY

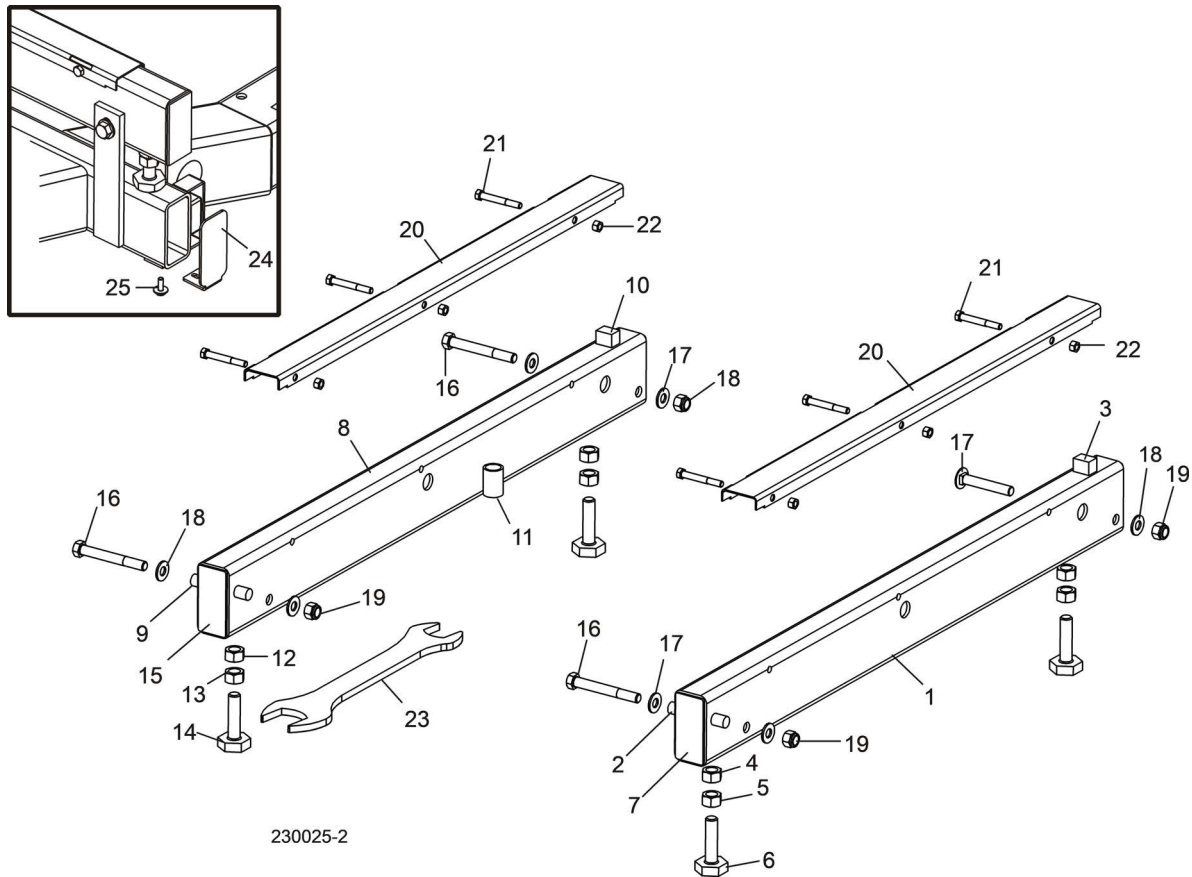
8.1 Bed Frame



TD079878
TD079878

| REF | PART # | DESCRIPTION | COMMENTS | QTY. |
|-----|--------|---|------------------------------------|------|
| | 079878 | ASSY, LT35 MANUAL INT'L STATIONARY BED | | 1 |
| 1 | | Bed Rail Assembly, Front And Rear | (See Section 8.2) | 1 |
| 2 | | Bed Rail Assembly, Middle Front | (See Section 8.3) | 1 |
| 3 | | Bed Rail Assembly, Middle Rear | (See Section 8.4) | 1 |
| 4 | | Pivot Bed Rail Assembly | (See Section 8.6) | 1 |
| 5 | | Log Side Support Assembly | (See Section 8.7) | 4 |
| 6 | | Safety Chain Assembly | (See Section 8.8) | 1 |
| 7 | | Log Clamp | (See Section 8.12) | 1 |

8.2 Bed Rail Assembly, Front And Rear

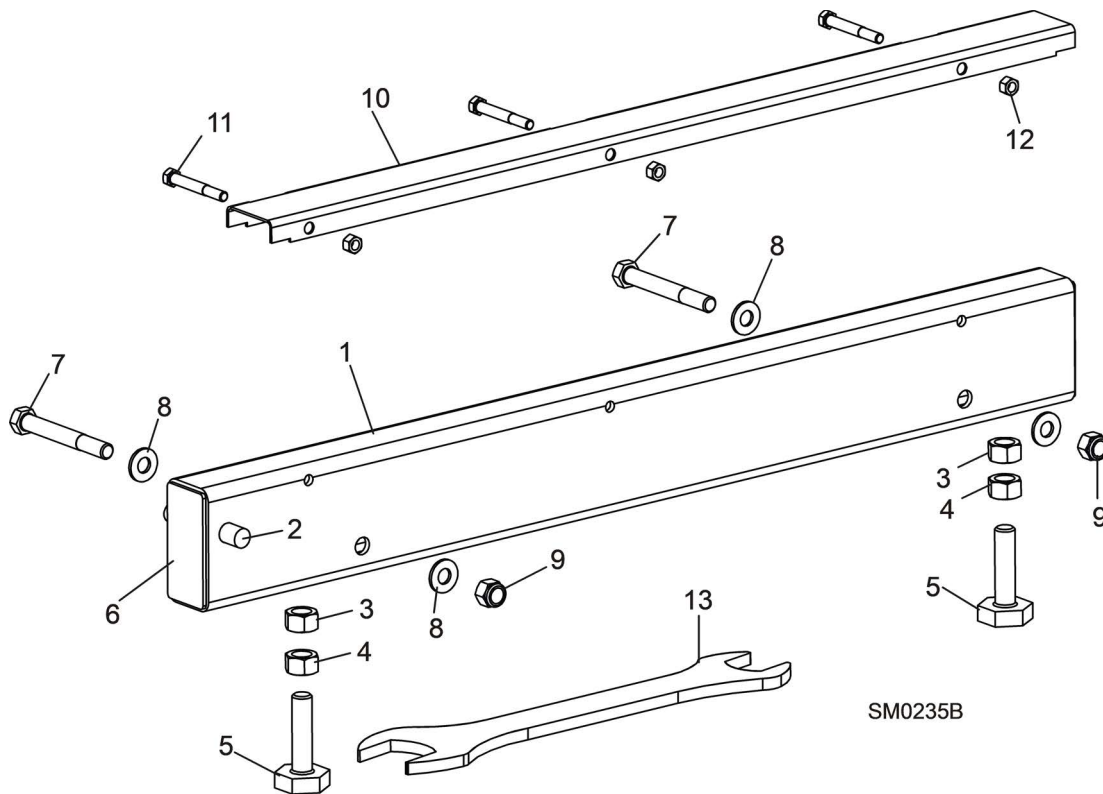


| REF | PART # | DESCRIPTION | COMMENTS | QTY. |
|-----|-----------|---|---|------|
| | A09774 | BED RAIL ASSEMBLY, REAR PAINTED | | 1 |
| 1 | S09102 | Bed Rail Tube, Long | Available in assemblies only. | 1 |
| 2 | S04030 | Pin, Ramp Mount | | 1 |
| 3 | S09034 | Block, Log Stop | | 1 |
| 4 | F05010-84 | Nut, 5/8-11 Pilot Weld | | 2 |
| 5 | F05010-5 | Nut, 5/8-11 Hex | | 2 |
| 6 | S13006 | Bolt, Bed Rail Adjustment | | 2 |
| 7 | S04058 | Plate, Bed Rail End Cap | Available in assemblies only. | 2 |
| | A09564 | BED RAIL ASSEMBLY, FRONT PAINTED | | 1 |
| 8 | S09102 | Bed Rail Tube, Long | Available in assemblies only. | 1 |
| 9 | S04030 | Pin, Ramp Mount | | 1 |
| 10 | S09034 | Block, Log Stop | | 1 |
| 11 | S09334 | Tube, Ramp Retainer Mount | Available in assemblies only. | 1 |
| 12 | F05010-84 | Nut, 5/8-11 Pilot Weld | | 2 |
| 13 | F05010-5 | Nut, 5/8-11 Hex | | 2 |
| 14 | S13006 | Bolt, Bed Rail Adjustment | | 2 |
| 15 | S04058 | Plate, Bed Rail End Cap | Available in assemblies only. | 2 |
| 16 | F05008-78 | BOLT, 1/2-13 X 4" HEX HEAD GRADE 5 | | 3 |
| 17 | F05008-94 | BOLT, 1/2-13 X 3 1/2" CARRIAGE | Used on rear bed rail to allow clearance for optional side support rollers. | 1 |
| 18 | F05011-2 | WASHER, 1/2" SAE FLAT | | 7 |

8 **Bed Frame Assembly**
Bed Rail Assembly, Front And Rear

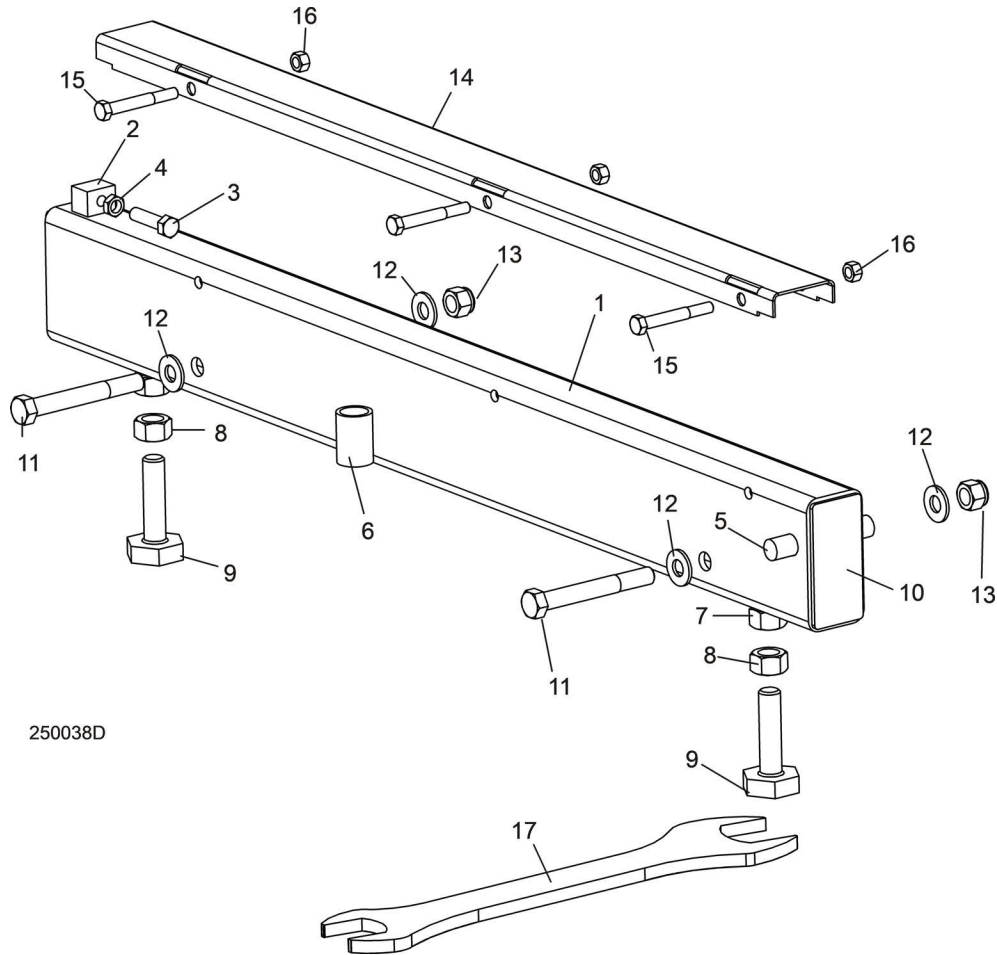
| REF | PART # | DESCRIPTION | COMMENTS | QTY. |
|-----------|------------|--|----------|------|
| 19 | F05010-8 | NUT, 1/2-13 NYLON LOCK | | 4 |
| | 079144 | COVER KIT, FRONT/REAR BED RAIL SS | | 2 |
| 20 | 016898 | Cover, Stainless Steel Bed Rail | | 1 |
| 21 | F05006-10 | Bolt, 5/16-18 X 2 1/2" Hex Head | | 3 |
| 22 | F05010-6 | Nut, 5/16-18 Hex Lock | | 3 |
| 23 | 015970 | WRENCH, BED RAIL ADJUSTMENT | | 1 |
| 24 | 038843 | CAP, BED RAIL REMOVABLE END | | 2 |
| 25 | F05005-134 | BOLT, 1/4-20 X 3/4" W/CONICAL WASHER HEAD | | 2 |

8.3 Bed Rail Assembly, Middle Front



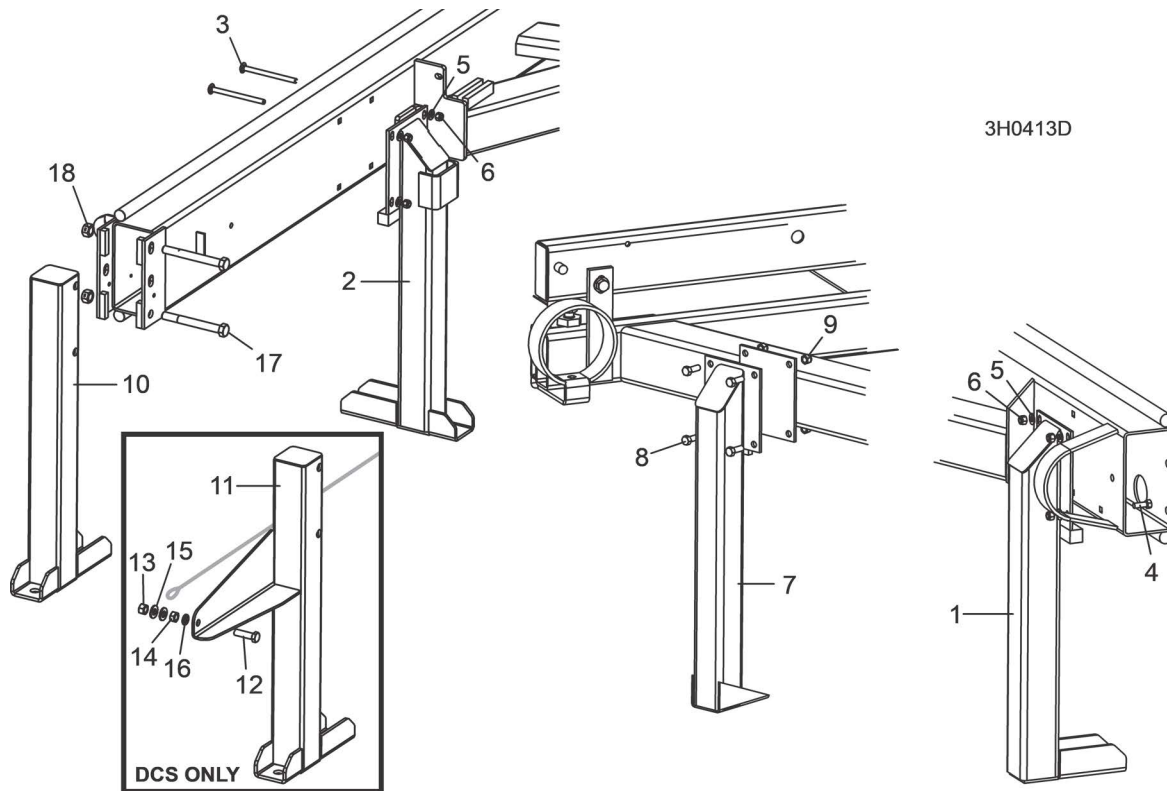
| REF | PART # | DESCRIPTION | COMMENTS | QTY. |
|-----|-----------|--|-------------------------------|------|
| | A09566 | BED RAIL ASSEMBLY, FRONT MIDDLE | | 1 |
| 1 | S09103 | Bed Rail Tube, Short | Available in assemblies only. | 1 |
| 2 | S04030 | Pin, Ramp Mount | | 1 |
| 3 | F05010-84 | Nut, 5/8-11 Pilot Weld | | 2 |
| 4 | F05010-5 | Nut, 5/8-11 Hex | | 2 |
| 5 | S13006 | Bolt, Bed Rail Adjustment | | 2 |
| 6 | S04058 | Plate, Bed Rail End Cap | Available in assemblies only. | 2 |
| 7 | F05008-78 | BOLT, 1/2-13 X 4" HEX HEAD GRADE 5 | | 2 |
| 8 | F05011-2 | WASHER, 1/2" SAE FLAT | | 4 |
| 9 | F05010-8 | NUT, 1/2-13 NYLON LOCK | | 2 |
| | A09956 | COVER ASSEMBLY, STAINLESS STEEL BED RAIL (LONG) | | 1 |
| 10 | S09944 | Cover, Stainless Steel Bed Rail | Available in assemblies only. | 1 |
| 11 | F05006-10 | Bolt, 5/16-18 X 2 1/2" Hex Head | | 3 |
| 12 | F05010-6 | Nut, 5/16-18 Hex Lock | | 3 |
| 13 | 015970 | WRENCH, BED RAIL ADJUSTMENT | | 1 |

8.4 Bed Rail Assembly, Middle Rear



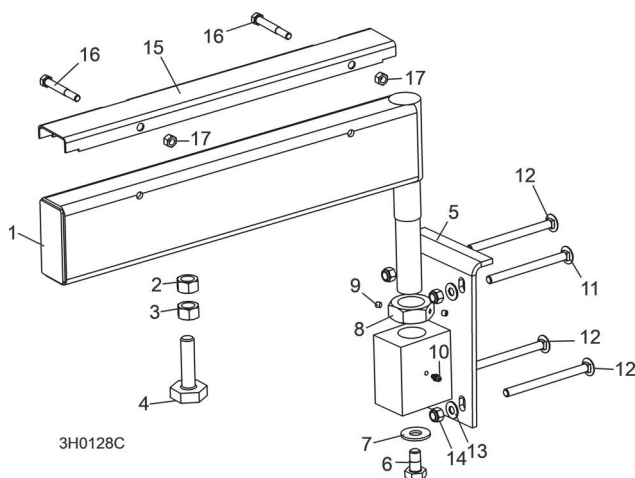
| REF | PART # | DESCRIPTION | COMMENTS | QTY. |
|-----|-----------|--|-------------------------------|------|
| | A09565 | BED RAIL ASSEMBLY, REAR MIDDLE | | 1 |
| 1 | 014640 | Bed Rail Tube, Short | Available in assemblies only. | 1 |
| 2 | 014639 | Block, Log Stop w/Threaded Hole | Available in assemblies only. | 1 |
| 3 | F05007-17 | Bolt, 3/8-16 x 1 1/2 Full Thead Hex Head | | 1 |
| 4 | F05010-29 | Nut, 3/8-16 Hex Jam | | 1 |
| 5 | S04030 | Pin, Ramp Mount | | 1 |
| 6 | S09334 | Tube, Ramp Retainer Mount | Available in assemblies only. | 1 |
| 7 | F05010-84 | Nut, 5/8-11 Pilot Weld | | 2 |
| 8 | F05010-5 | Nut, 5/8-11 Hex | | 2 |
| 9 | S13006 | Bolt, Bed Rail Adjustment | | 2 |
| 10 | S04058 | Plate, Bed Rail End Cap | Available in assemblies only. | 2 |
| 11 | F05008-78 | BOLT, 1/2-13 X 4" HEX HEAD GRADE 5 | | 2 |
| 12 | F05011-2 | WASHER, 1/2" SAE FLAT | | 4 |
| 13 | F05010-8 | NUT, 1/2-13 NYLON LOCK | | 2 |
| | A09956 | COVER ASSEMBLY, STAINLESS STEEL BED RAIL (LONG) | | 1 |
| 14 | S09944 | Cover, Stainless Steel Bed Rail | Available in assemblies only. | 1 |
| 15 | F05006-10 | Bolt, 5/16-18 X 2 1/2" Hex Head | | 3 |
| 16 | F05010-6 | Nut, 5/16-18 Hex Lock | | 3 |
| 17 | 015970 | WRENCH, BED RAIL ADJUSTMENT | | 1 |

8.5 Leg Assembly



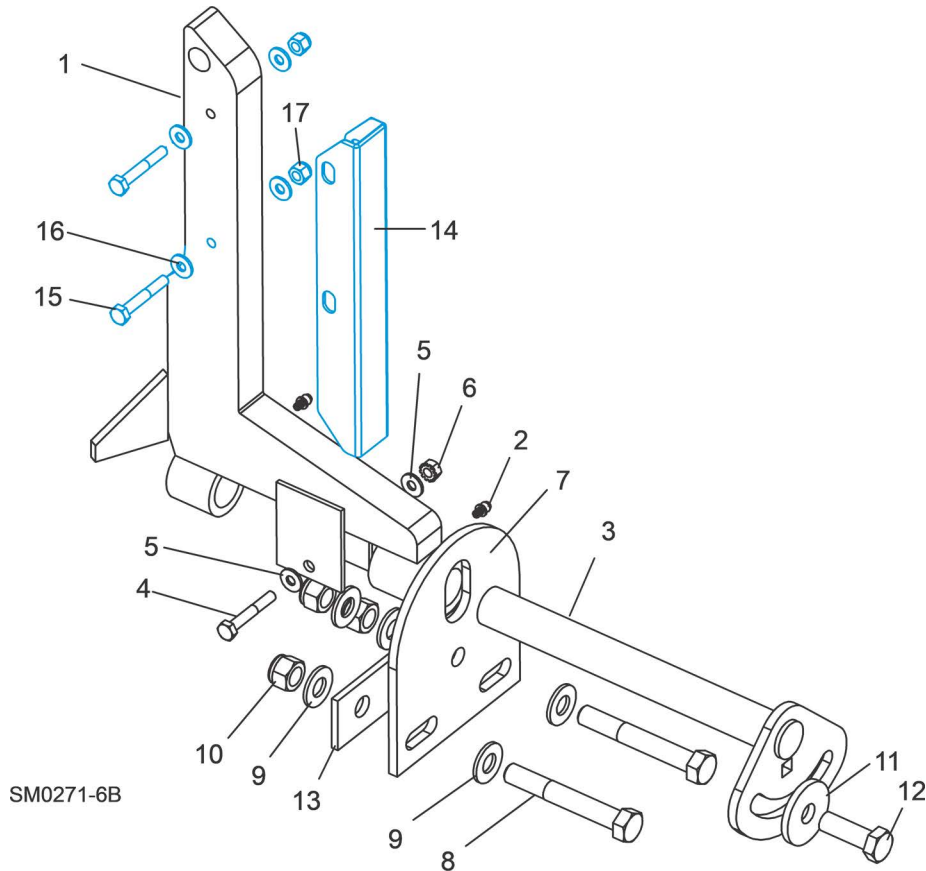
| REF | PART # | DESCRIPTION | COMMENTS | QTY. |
|-----|------------|---|----------|------|
| | | See Form #847 or diagram below for stationary sawmill foot anchor locations | | |
| | | See Form #359 for stationary sawmill w/bed extension foot anchor locations | | |
| 1 | W09513 | LEG, LONG STATIONARY | | 3 |
| 2 | 015091 | LEG, LONG STATIONARY W/BOARD RETURN TABLE BRACKET | | 1 |
| 3 | F05007-113 | BOLT, 3/8-16 X 5" CARRIAGE HEAD | | 12 |
| 4 | F05007-2 | BOLT, 3/8-16 X 1 1/4" HEX HEAD | | 4 |
| 5 | F05011-3 | WASHER, 3/8" SAE FLAT | | 16 |
| 6 | F05010-10 | NUT, 3/8-16 HEX NYLON LOCK | | 16 |
| 7 | W09515 | LEG, SHORT STATIONARY | | 2 |
| 8 | F05007-2 | BOLT, 3/8-16 X 1 1/4" HEX HEAD | | 8 |
| 9 | F05010-10 | NUT, 3/8-16 HEX NYLON LOCK | | 8 |
| 10 | W09517 | LEG, FRONT STATIONARY | | 1 |
| 11 | 065935 | Leg Weldment, Festoon Stationary Front | | 1 |
| 12 | F05008-88 | Bolt, 1/2-13 x 1 3/4" Full Thread Hex Head Grade 5 | | 1 |
| 13 | F05010-3 | Nut, 1/2-13 Swaged Hex | | 1 |
| 14 | F05010-35 | Nut, 1/2-13 Free Hex | | 1 |
| 15 | F05011-2 | Washer, 1/2" SAW Flat | | 2 |
| 16 | F05011-9 | Washer, 1/2" Split Lock | | 1 |
| 17 | F05009-11 | BOLT, 5/8-11 X 5 1/2" HEX HEAD GRADE 5 | | 2 |
| 18 | F05010-4 | NUT, 5/8-11 HEX LOCK | | 2 |

8.6 Pivot Bed Rail Assembly



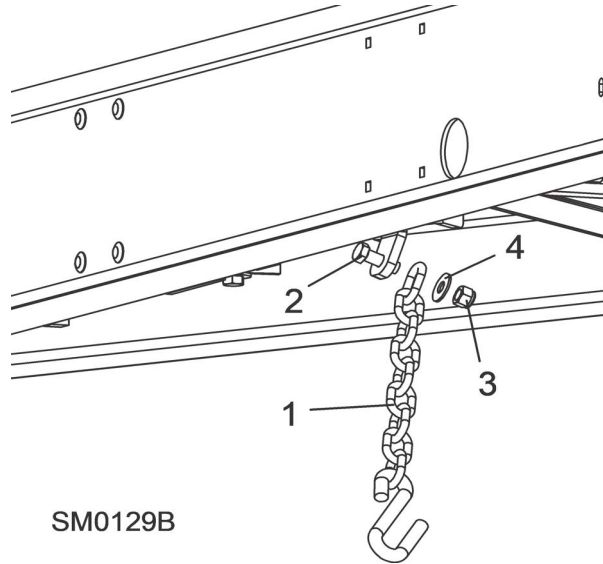
| REF | PART # | DESCRIPTION | COMMENTS | QTY. |
|-----------|------------|--|-------------------------------|------|
| | A13015 | PIVOT BED RAIL ASSEMBLY | | |
| 1 | W13014 | Pivot Bed Rail Weldment | Available in assemblies only. | 1 |
| 2 | F05010-84 | Nut, 5/8-11 Pilot Weld | | 2 |
| 3 | F05010-5 | Nut, 5/8-11 Hex | | 2 |
| 4 | S13006 | Bolt, Bed Rail Adjustment | | 2 |
| 5 | W13090 | Bracket, Pivot Rail Mounting | | 1 |
| 6 | F05008-50 | Bolt, 1/2-13 x 1" Hex Head Grade 2 | | 1 |
| 7 | F05011-52 | Washer, 9/16" SAE Flat | | 1 |
| 8 | S13016 | Nut, Pivot Rail Adjustment | | 1 |
| 9 | F05005-42 | Screw, 1/4-28 x 1/4" Brass Tip Set | | 2 |
| 10 | P04107 | Fitting, 3/16" Grease | | 1 |
| 11 | F05007-114 | BOLT, 3/8-16 X 4 3/4" CARRIAGE HEAD | | 2 |
| 12 | F05007-113 | BOLT, 3/8-16 X 5" CARRIAGE HEAD | | 6 |
| 13 | F05011-3 | WASHER, 3/8" SAE FLAT | | 8 |
| 14 | F05010-10 | NUT, 3/8-16 NYLON LOCK | | 8 |
| | 017710 | COVER KIT, PIVOT RAIL STAINLESS STEEL | | 2 |
| 15 | S13012 | Cover, Stainless Steel Pivot Bed Rail () | | 1 |
| 16 | F05006-10 | Bolt, 5/16-18 X 2 1/2" Hex Head | | 2 |
| 17 | F05010-6 | Nut, 5/16-18 Hex Lock | | 2 |
| | 015970 | WRENCH, BED RAIL ADJUSTMENT | <i>(See Section 8.1)</i> | 1 |

8.7 Log Side Support Assembly (Manual)



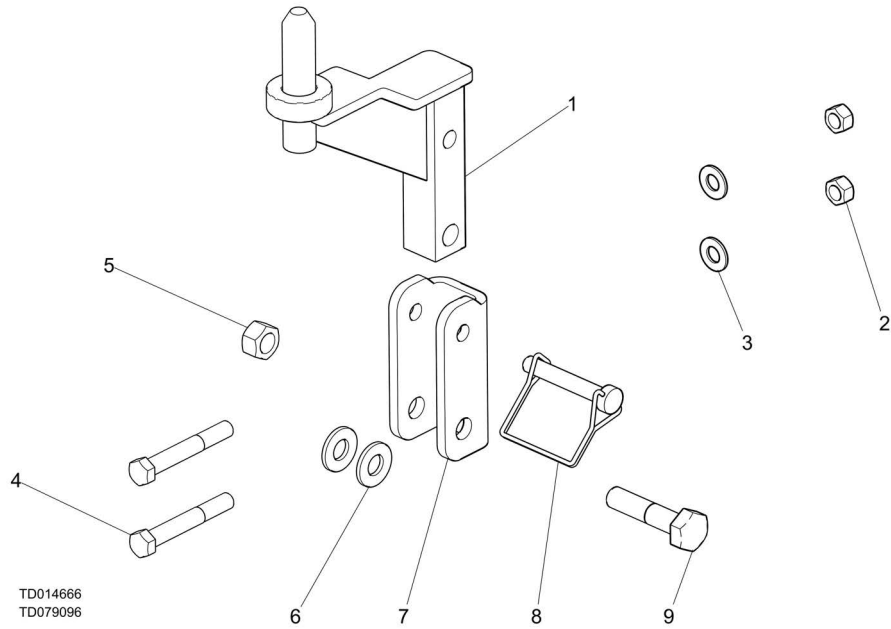
| REF | PART # | DESCRIPTION | COMMENTS | QTY. |
|-----|-------------|---|--|------|
| | 034554 | Support Assembly, Side, Manual | | |
| 1 | 015235 | Support, Log Side | | 2 |
| 2 | P04107 | Fitting, 3/16" Grease | | 2 |
| 3 | 016544 | Pin, Log Side Support Pivot | | 1 |
| 4 | F05005-4 | Bolt, 1/4-20 X 1 1/2" Hex Head Grade 5 | | 1 |
| 5 | F05011-11 | Washer, 1/4" SAE Flat | | 2 |
| 6 | F05010-9 | Nut, 1/4-20 Self Locking | | 1 |
| 7 | 016555 | Plate, Log Side Support End | | 1 |
| 8 | F05008-61 | Bolt, 1/2-13 X 3 1/2" Hex Head Grade 5 | | 2 |
| 9 | F05011-2 | Washer, 1/2" SAE Flat | | 5 |
| 10 | F05010-8 | Nut, 1/2-13 Hex Nylon Lock | | 3 |
| 11 | 014632 | Washer, .52" x 1.69" | | 1 |
| 12 | F05008-33 | Bolt, 1/2-13 X 1 1/2" Hex Head Grade 5 | | 1 |
| 13 | 016558 | Plate, Side Support Washer Clamp | | 1 |
| | 016562 | Roller Kit, Side Support | | 4 |
| | 016798 | Guard Kit, Stainless Steel Side Support | (OPTIONAL) | 1 |
| 14 | 016722 | Guard, Stainless Steel Side Support | | 4 |
| 15 | F05005-4 | Bolt, 1/4-20 x 1 3/4" Hex Head | | 8 |
| 16 | F05011-11 | Washer, 1/4" SAE Flat | | 16 |
| | F05011-5 | Washer, 5/8" SAE Flat | Added or extra spacing on the optional roller supports | 4 |
| 17 | F05010-69 | Nut, 1/4-20 Hex Nylon Lock | | 8 |
| | 016798-1005 | Instruction Sheet, | | 1 |

8.8 Safety Chain Assembly



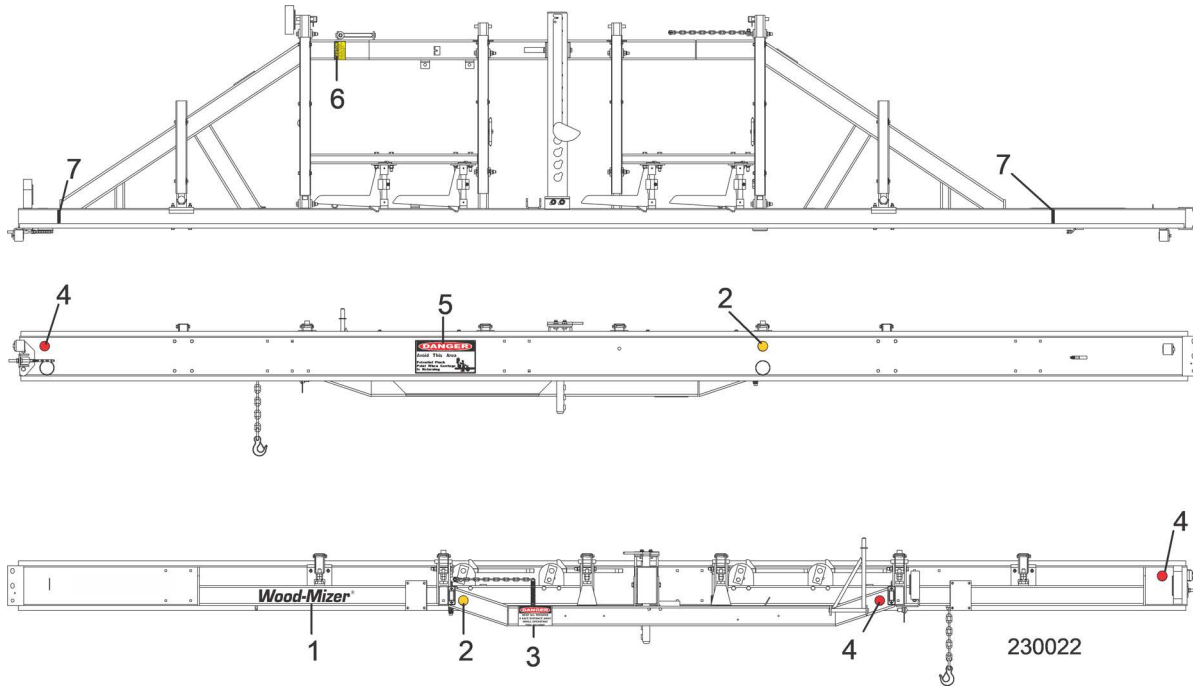
| REF | PART # | DESCRIPTION | COMMENTS | QTY. |
|-----|-----------|-------------------------------------|----------|------|
| 1 | 107972 | CHAIN, 15 INCH SAFETY | | 1 |
| 2 | F05008-33 | BOLT, 1/2-13X1 1/2 HEX HEAD GRADE 5 | | 1 |
| 3 | F05010-8 | NUT, 1/2-13 NYLON HEX LOCK | | 1 |
| 4 | F05011-35 | WASHER, 7/16 STANDARD FLAT | | 1 |

8.9 Rest Pin Assembly



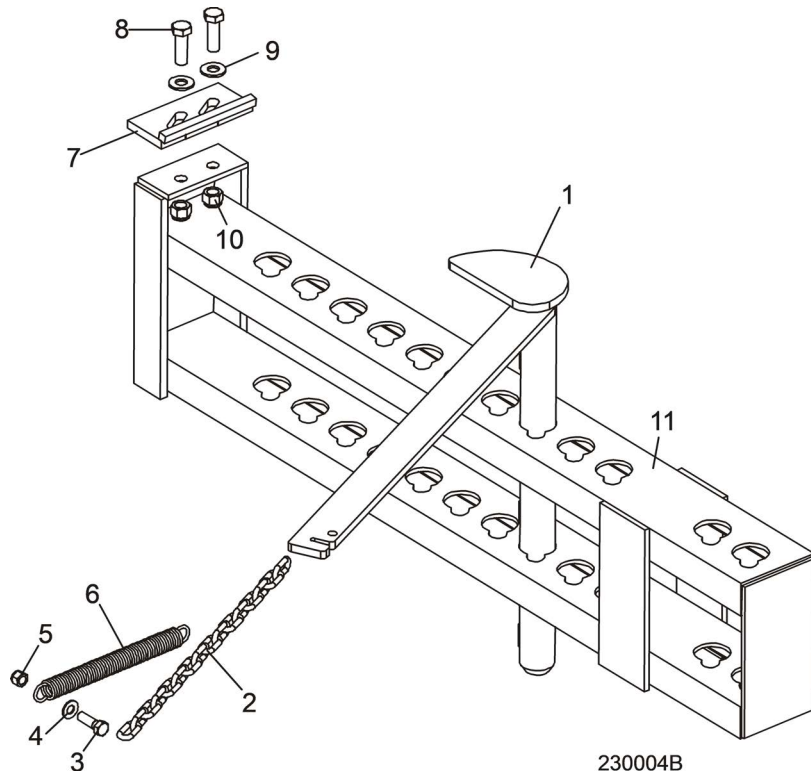
| REF | PART # | DESCRIPTION | COMMENTS | QTY. |
|-----|------------|---------------------------------|----------|------|
| | 079096 | Pin Assy, Rest, Manual | | 1 |
| 1 | 074980 | Pin Wldmt, C-Frame Rest, Manual | | 1 |
| 2 | F05010-25 | Nut, 3/8-16 Swaged | | 2 |
| 3 | F05011-3 | Washer, 3/8 Flat SAE | | 2 |
| 4 | F05007-206 | BOLT, 3/8-16X2 3/4 HH Gr5 | | 2 |
| 5 | F05010-3 | NUT, 1/2-13 SWAGED HEX | | 1 |
| 6 | F05011-2 | Washer, 1/2 SAE Flat | | 2 |
| 7 | 110557 | Bracket, Rest Pin Mount | | 1 |
| 8 | 014151 | Pin, 3/8x2 1/4 SQ Wire Lock | | 1 |
| 9 | F05008-10 | Bolt, 1/2-13x2 1/4 Hex Head GR5 | | 1 |

8.10 Bed Frame Decals



| REF | PART # | DESCRIPTION | COMMENTS | QTY. |
|-----|--------|----------------------------------|----------|------|
| 1 | S12281 | DECAL, WOOD-MIZER LOGO | | 1 |
| 2 | P07453 | DECAL, AMBER REFLECTIVE 2" ROUND | | 2 |
| 3 | S09851 | DECAL, KEEP AWAY DANGER | | 1 |
| 4 | P07452 | DECAL, RED REFLECTIVE 2" ROUND | | 3 |
| 5 | P10287 | DECAL, PINCH POINT DANGER | | 1 |
| 6 | S12581 | DECAL, SAW HEAD REST CAUTION | | 1 |
| 7 | S12051 | DECAL, LOG LIMIT STRIPE | | 2 |

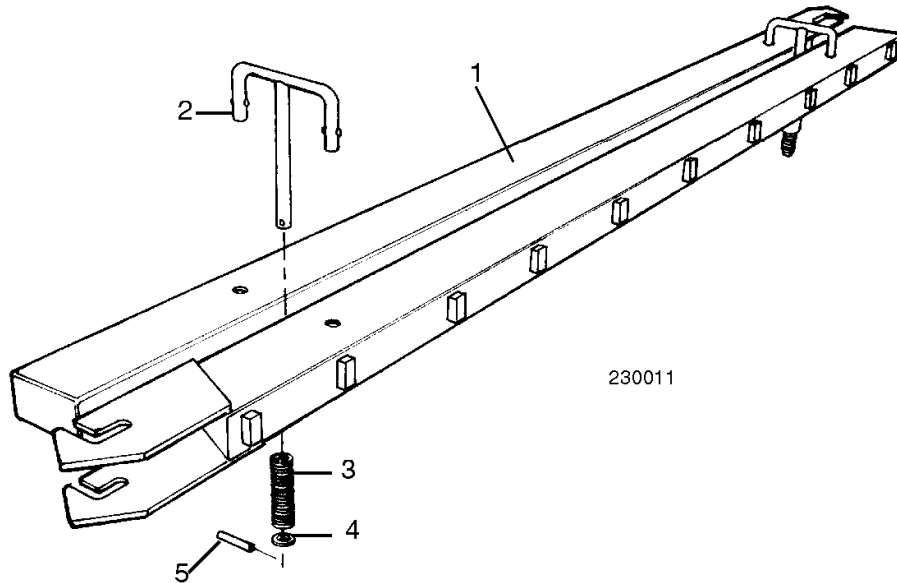
8.11 Log Clamp



230004B

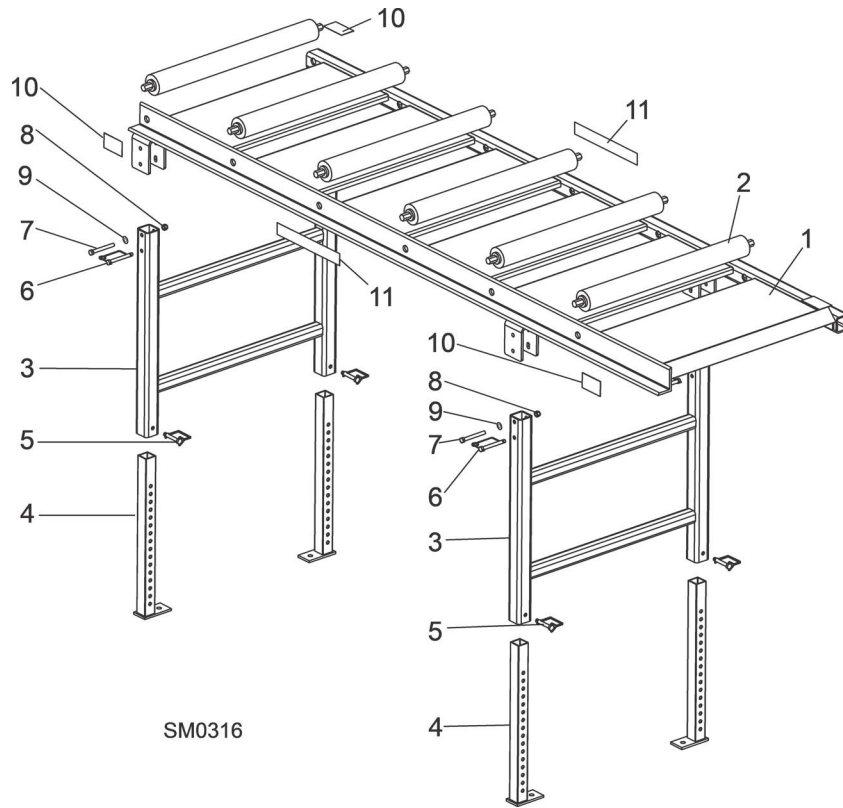
| REF | PART # | DESCRIPTION | COMMENTS | QTY. |
|-----|-----------|--|----------|------|
| 1 | W09412 | CLAMP, LOG | | 1 |
| 2 | M04311 | CHAIN, LOG CLAMP | | 1 |
| 3 | F05007-2 | BOLT, 3/8-16 X 1 1/4" HEX HEAD GRADE 2 | | 1 |
| 4 | F05011-3 | WASHER, 3/8" STANDARD FLAT | | 2 |
| 5 | F05010-10 | NUT, 3/8-16 HEX NYLON LOCK | | 1 |
| 6 | P09136 | SPRING, LOG CLAMP CHAIN | | 1 |
| 7 | W09404 | PLATE, LOG CLAMP STOP | | 1 |
| 8 | F05008-33 | BOLT, 1/2-13 X 1 1/2" HEX HEAD GRADE 5 | | 2 |
| 9 | F05011-2 | WASHER, 1/2" SAE FLAT | | 2 |
| 10 | F05010-8 | NUT, 1/2-13 HEX NYLON LOCK | | 2 |
| 11 | W09310 | CHANNEL WELDMENT, MANUAL LOG CLAMP | | 1 |

8.12 Log Loading Ramps



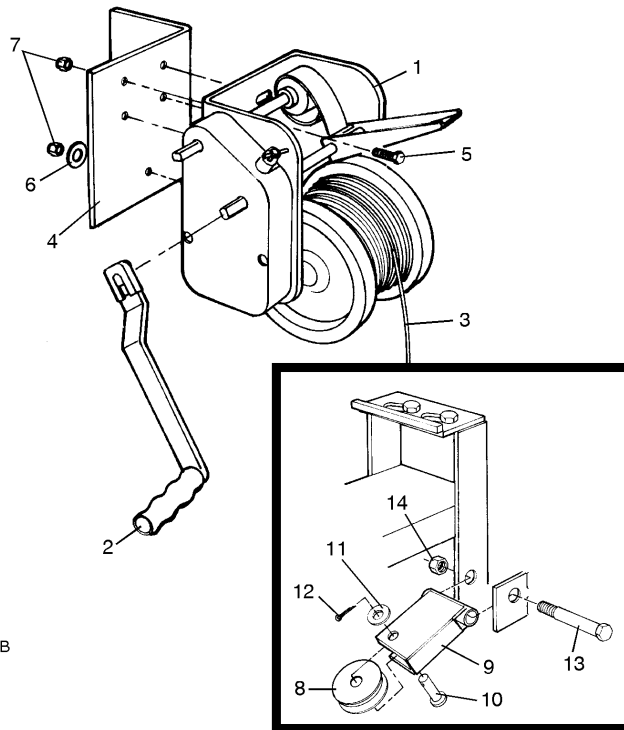
| REF | PART # | DESCRIPTION | COMMENTS | QTY. |
|-----|-----------|---|-------------------------------|------|
| | K09466 | RAMP KIT, LOG LOADING WITH RETAINERS | | 1 |
| 1 | W09014 | Ramp, Log Loading | | 2 |
| | K09810 | Retainer Kit, Log Ramp | | 2 |
| 2 | W09413 | Retainer, Log Ramp | Available in assemblies only. | 1 |
| 3 | P09335 | Spring, Log Ram Retainer | | 1 |
| 4 | F05011-19 | Washer, 5/8" I.D. x .100" Thick Nylon | | 1 |
| 5 | F05012-11 | Pin, 3/16" x 1" Roll | | 1 |

8.13 Board Outfeed Table (Optional)



| REF | PART # | DESCRIPTION | COMMENTS | QTY. |
|-----|------------|--------------------------------------|----------|------|
| | 016652 | TABLE ASSEMBLY, BOARD OUTFEED | | 1 |
| 1 | 016606 | Table Weldment, Board Outfeed | | 1 |
| 2 | 038167 | Roller, 2 1/2" x 25" | | 6 |
| 3 | 016609 | Mount Weldment, Outfeed Table Leg | | 2 |
| 4 | 016651 | Leg Weldment, Outfeed Table | | 4 |
| 5 | 014151 | Pin, 3/8" x 2 1/4" Square Wire Lock | | 4 |
| 6 | 016677 | Pin, Snap - Coil Tension | | 4 |
| 7 | F05007-135 | Bolt, 3/8-16 x 3 1/4" Hex Head | | 4 |
| 8 | F05010-10 | Nut, 3/8-16 Hex Nylon Lock | | 4 |
| 9 | S12641 | Decal, Hand Pinch Point Warning | | 4 |
| 10 | 016991 | Decal, 1 1/2" Wood-Mizer Logo | | 2 |

8.14 Manual Winch (Optional)

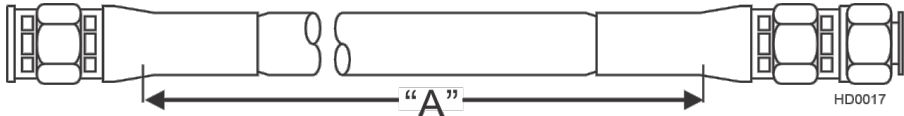


SM0005B

| REF | PART # | DESCRIPTION | COMMENTS | QTY. |
|-----|-----------|---|-------------------------------|------|
| | MW-A | MANUAL WINCH ASSEMBLY | | 1 |
| 1 | P12323 | Winch, Manual 3500lb | Available in assemblies only. | 1 |
| 2 | P04487 | Handle, Manual Winch | | 1 |
| 3 | P05087 | Cable, Manual Winch 7/32" Dia. X 50' Long | | 1 |
| 4 | S12321 | Bracket, Winch Mount | | 1 |
| 5 | F05007-11 | Bolt, 3/8-16 X 1 1/4" Carriage | | 5 |
| 6 | F05011-3 | Washer, 3/8" Flat | | 1 |
| 7 | F05010-10 | Nut, 3/8-16 Hex Lock | | 5 |
| 8 | S09393 | Pulley, Winch Cable Guide | | 1 |
| 9 | W09429 | Bracket, Winch Cable Guide Pulley | | 1 |
| 10 | F05012-24 | Pin, 1/2" X 1 27/64" Clevis | | 1 |
| 11 | F05011-2 | Washer, 1/2" Sae Flat | | 1 |
| 12 | F05012-1 | Pin, 1/8" X 1" Cotter | | 1 |
| 13 | F05009-8 | Bolt, 5/8-11 X 4" Hex Head Full Thread | | 1 |
| 14 | F05010-34 | Nut, 5/8-11 Nylon Lock | | 1 |

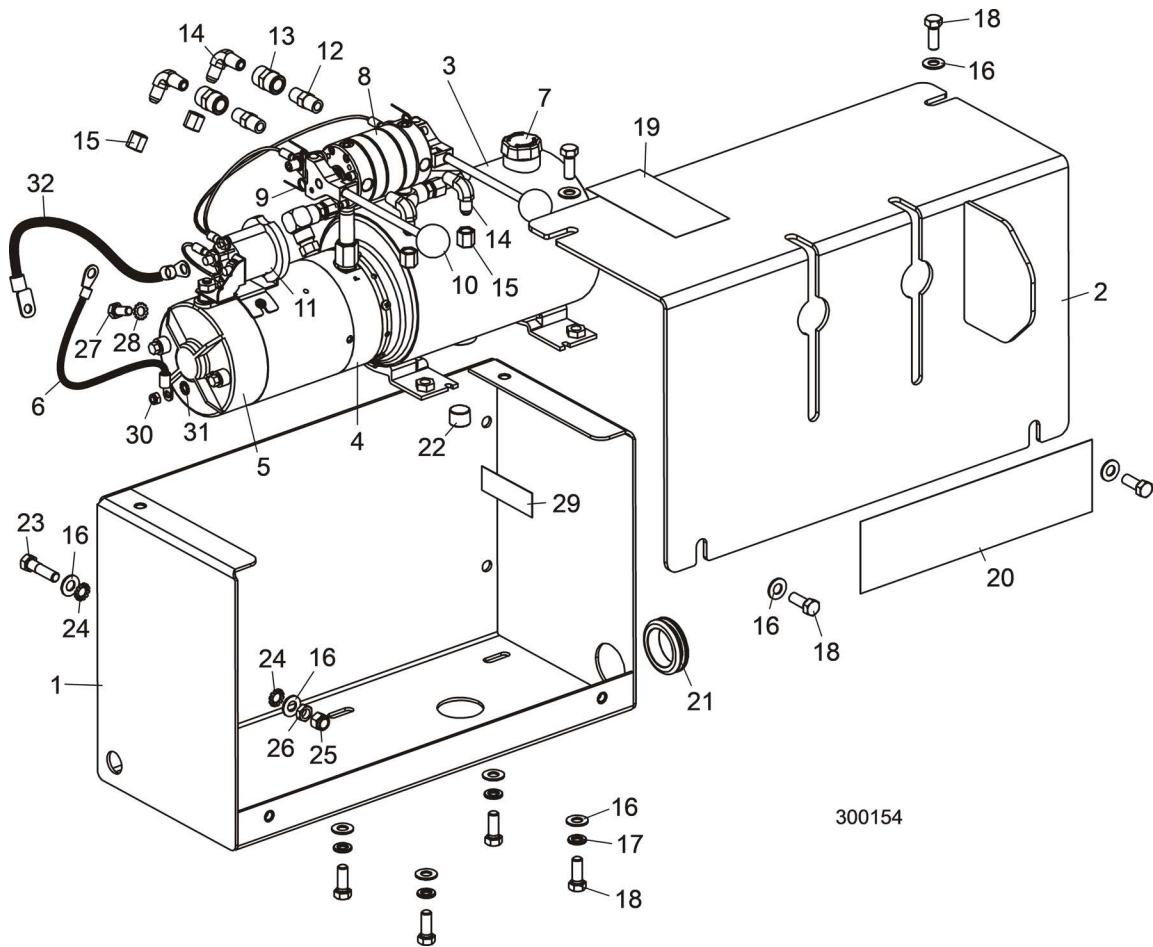
SECTION 9 BED HYDRAULIC SYSTEM (OPTIONAL)

9.1 Hydraulic Hoses



| COLOR | LENGTH "A" | DESCRIPTION (NOTE: See Hydraulic Information Section in Operator's Manual for Hydraulic Schematics) | PART # | QTY. |
|--------|------------|---|------------|------|
| Green | 62" | LOADING ARM BRANCH TOP | 079000-62 | 2 |
| Yellow | 64" | LOADING ARM BRANCH BASE | 079000-64 | 2 |
| Blue | 148" | LOADING ARM TOP | 079000-148 | 1 |
| Red | 158" | LOADING ARM BOTTOM | 079000-158 | 1 |
| Plain | 27" | LOG TURNER BASE | 079000-27 | 1 |
| Orange | 18" | LOG TURNER TOP | 079000-18 | 1 |
| Plain | 220" | SIDE SUPPORT TOP | 079000-220 | 1 |
| Pink | 206" | SIDE SUPPORT BASE | 079000-206 | 1 |

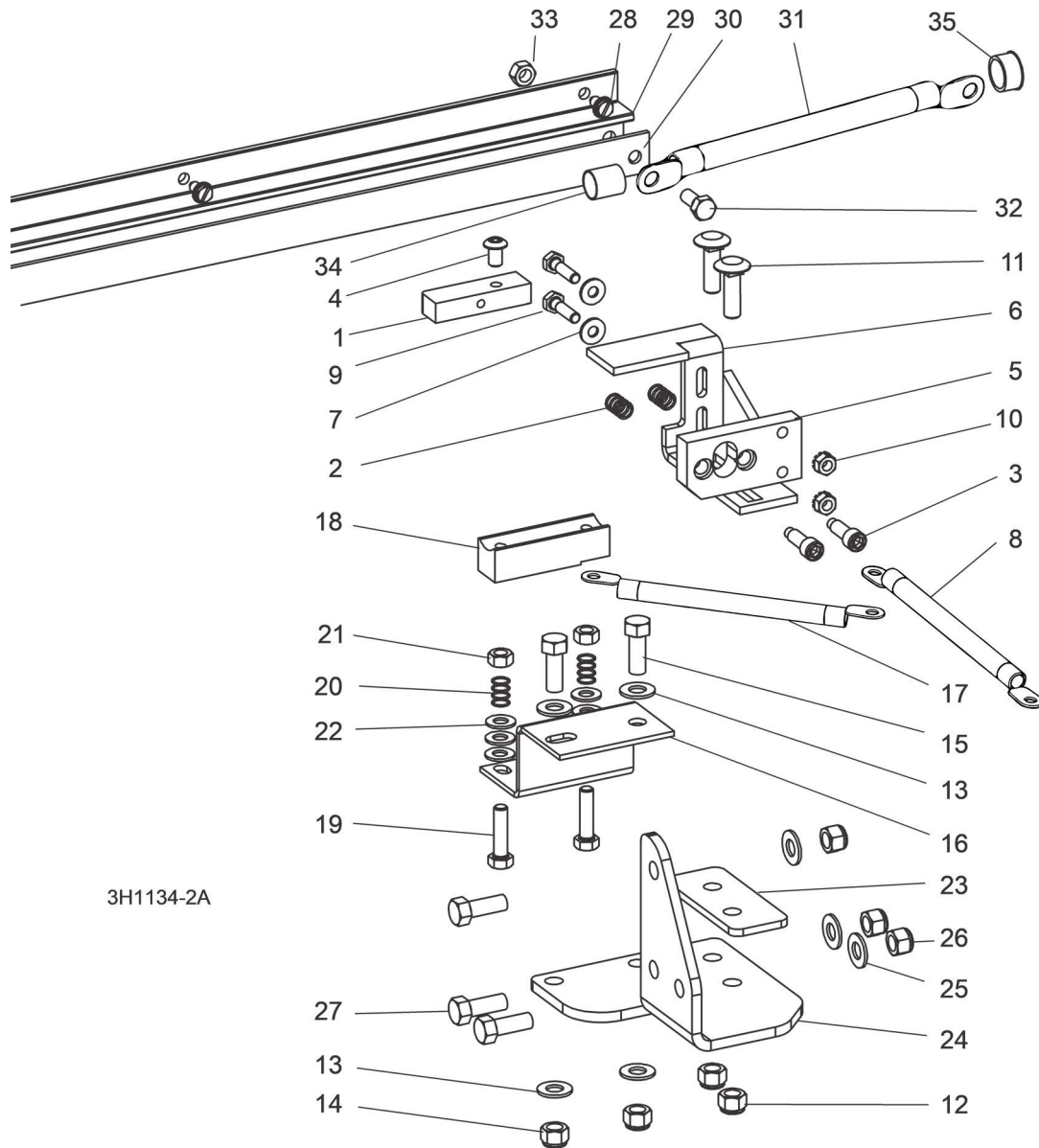
9.2 Hydraulic Loader/Turner Control Box (Optional)



| REF | PART # | DESCRIPTION | COMMENTS | QTY. |
|-----|--------|---|-------------------------------|------|
| | 025717 | BOX ASSEMBLY, HYDRAULIC DUAL FUNCTION CONTROL | | 1 |
| 1 | 025716 | Box Weldment, Hydraulic Dual Function Control | | 1 |
| 2 | 025714 | Cover Weldment, Hydraulic Dual Function Control | | 1 |
| 3 | 025713 | Pump/Valve Assembly, Hydraulic Dual Function #M-500 4W/4W | | 1 |
| 4 | | Pump, Hydraulic Replacement Monarch Model #12171-250 | | 1 |
| | 052807 | Motor Kit, Hydraulic Replacement | | 1 |
| 5 | 038683 | Motor, 12 VDC Hydraulic Pump #08714 (Iskra) | Available in assemblies only. | 1 |
| | 038682 | Brush Kit, 4-Valve Hydraulic Pump Motor #08658-1 (Iskra) | | 1 |
| | P12513 | Bearing, Base Motor #02318 | | 1 |
| 6 | 052806 | Wire Assembly, Motor Brush Ground | | 1 |
| 7 | P09596 | Cap, Hydraulic Pump Vented Fill #01143 | | 1 |
| 8 | | Valve Assembly, 4-Way Monarch #19760 | | 2 |
| 9 | 025818 | Spring, Hydraulic Pump Valve Contact #00015 | | 4 |
| 10 | | Handle Assembly, Hydraulic Pump Valve # | | 2 |

| REF | PART # | DESCRIPTION | COMMENTS | QTY. |
|-----------|------------|--|----------|------|
| | P09753 | Spring, Hydraulic Pump Valve Handle #00018 | | 2 |
| 11 | | Solenoid, 12 VDC Motor Starter #17744 | | 1 |
| 12 | P05389 | Fitting, 1/4" NPT Hex Nipple | | 2 |
| 13 | P03420 | Fitting, 1/4" NPT Coupling | | 2 |
| 14 | P09142 | Fitting, 1/4" NPT x 1/4" JIC Male Elbow | | 4 |
| 15 | 016815 | Fitting, 1/4" JIC Cap | | 4 |
| 16 | F05011-3 | Washer, 3/8" SAE Flat | | 10 |
| 17 | F05011-4 | Washer, 3/8" Split Lock | | 4 |
| 18 | F05007-87 | Bolt, 3/8-16 X 1" Hex Head Grade 5 | | 8 |
| 19 | P12961 | Decal, Keep Away Hydraulic Warning | | 1 |
| 20 | 036720 | Decal, Hydraulic Logo | | 1 |
| 21 | 043405 | Grommet, 1 1/2" x 3/16" | | 1 |
| 22 | P26258 | Fitting, 1/2" NPT Plug | | 1 |
| 23 | F05007-78 | Bolt, 3/8-16 x 1 1/2" Hex Head Grade 5 | | 1 |
| 24 | F05011-36 | Washer, 3/8" External Star Lock | | 2 |
| 25 | F05010-10 | Nut, 3/8-16 Hex Nylon Lock | | 1 |
| 26 | F05010-29 | Nut, 3/8-16 Hex Jam | | 1 |
| 27 | F05006-5 | Bolt, 5/16-18 x 3/4" Hex Head | | 1 |
| 28 | F05011-33 | Washer, 5/16" External Star Lock | | 1 |
| 29 | S12825 | Decal, Hydraulic Fluid | | 1 |
| 30 | F05010-200 | Nut, M6-1.0 Hex Nylon Lock | | 1 |
| 31 | F05011-37 | Washer, 1/4" Exterior Star Lock | | 1 |
| 32 | | Cable Assembly, 10" Pump To Solenoid | | 1 |
| | P12742 | FLUID, 1-QUART DEXRON III HYDRAULIC | | 4 |
| | 006397 | FLUID, 1-GALLON CONOCO MV32 | | 1 |
| | P12822 | FLUID, 1-GALLON EXXON UNIVIS HVI 13 HYDRAULIC | | 1 |

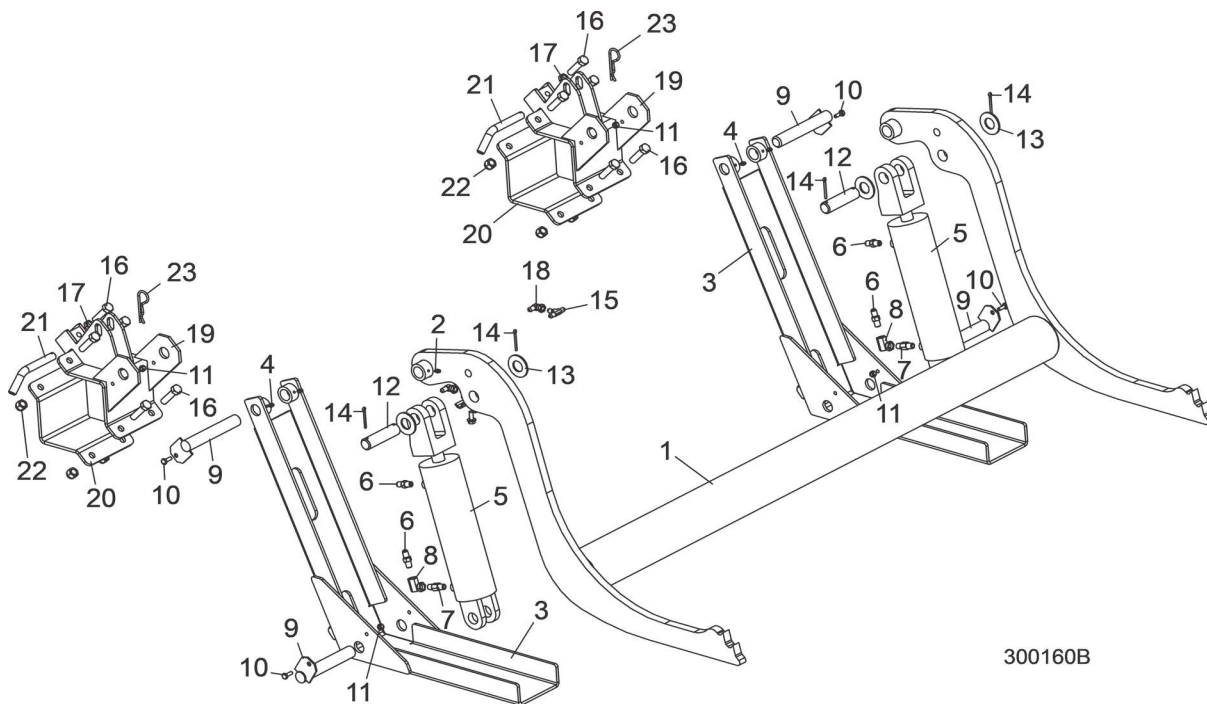
9.3 Hydraulic Power Supply Strip (Optional)



| REF | PART # | DESCRIPTION | COMMENTS | QTY. |
|-----|------------|--|-------------------------------|------|
| | 010103 | CONTACT ASSEMBLY, HYDRAULIC POWER SUPPLY (POSITIVE) | | 1 |
| | 007716 | Contact Kit, 97+ Hydraulic Power Supply Positive | | 1 |
| 1 | 015253 | Contact, Hydraulic Power Supply (Positive) | Available in assemblies only. | 1 |
| 2 | P10077 | Spring, Positive Contact | | 2 |
| 3 | F05006-143 | Bolt, 5/16" x 3/4" Shoulder (1/4-20 Thread) Stainless | | 2 |
| 4 | F05006-20 | Bolt, 5/16-18 x 1/2" Socket Button Head | | 1 |
| 5 | S10072 | Insulator, Positive Contact | | 1 |
| 6 | 015324 | Bracket, Positive Contact Mounting | | 1 |
| 7 | F05011-11 | Washer, 1/4" SAE Flat | | 2 |
| 8 | 128088 | Cable Assy, 1AWG Red x13 (2x5/16 Term) | | 1 |
| 9 | F05005-38 | Bolt, 1/4-20 x 1" Hex Head Grade 2 | | 2 |

| REF | PART # | DESCRIPTION | COMMENTS | QTY. |
|-----|------------|---|-------------------------------|------|
| 10 | F05010-9 | Nut, 1/4-20 Hex Self-Locking | | 2 |
| 11 | F05007-11 | Bolt, 3/8-16 x 1 1/4" Carriage Head | | 2 |
| 12 | F05010-10 | Nut, 3/8-16 Hex Nylon Lock | | 2 |
| | 065081 | CONTACT ASSEMBLY, LT35 HYDRAULIC POWER SUPPLY (GROUND) | | 1 |
| 13 | F05011-3 | Washer, 3/8" SAE Flat | | 4 |
| 14 | F05010-10 | Nut, 3/8-16 Hex Nylon Lock | | 2 |
| 15 | F05007-7 | Bolt, 3/8-16 x 4" Square Head | | 2 |
| 16 | 016792 | Bracket, Ground Contact Mounting | | 1 |
| 17 | 036306 | Cable Assy, 1AWG Blk x26 (2x5/16 Term) | | 1 |
| | 007717 | Contact Kit, Hydraulic Ground 1997+ | | 1 |
| 18 | 015264 | Contact, Hydraulic Power Supply (Ground) | Available in assemblies only. | 1 |
| 19 | F05008-96 | Bolt, 5/16-18 x 1 1/2" Hex Head Grade 5 | | 2 |
| 20 | P10077 | Spring, Ground Contact | | 2 |
| 21 | F05010-17 | Nut, 5/16-18 Hex | | 2 |
| 22 | F05011-17 | Washer, 5/16" SAE Flat | | 6 |
| 23 | 025964 | PLATE, LT35 POSITIVE CONTACT SPACER | | 1 |
| 24 | 059636 | PLATE, LT35 CONTACT MOUNT | | 1 |
| 25 | F05011-3 | WASHER, 3/8" SAE FLAT | | 3 |
| 26 | F05010-10 | NUT, 3/8-16 HEX NYLON LOCK | | 3 |
| 27 | F05007-7 | BOLT, 3/8-16x1 HHC | | 3 |
| | A11977 | STRIP ASSEMBLY, 6 FT. CONTACT | | 1 |
| 28 | F05015-1 | Bolt, 1/4-20 x 1/2" Self Tap HH | | 2 |
| 29 | P11976 | Housing, Contact Strip | | 1 |
| | A12043-N | Strip, Hydraulic Contact w/Cable | | 1 |
| 30 | S10075 | Strip, 1/8" x 1" x 69-13/16" Contact | Available in assemblies only. | 1 |
| 31 | 052161 | Cable Assy, 1AWG Blk x36 (2x5/16 Term) | | 1 |
| 32 | F05006-45 | Screw, 5/16-18 x 3/4" Black Nylon HHC | | 1 |
| 33 | F05010-86 | Nut, 5/16-18 Black Nylon Hex | | 1 |
| 34 | R01950-8 | Tubing, 5/8" Heat Shrink w/Adhesive ID | | 1 |
| | A12043-406 | Instruction Sheet, Strip Replacement | | 1 |
| 35 | P04137 | Grommet, 5/8" Wire | | 1 |

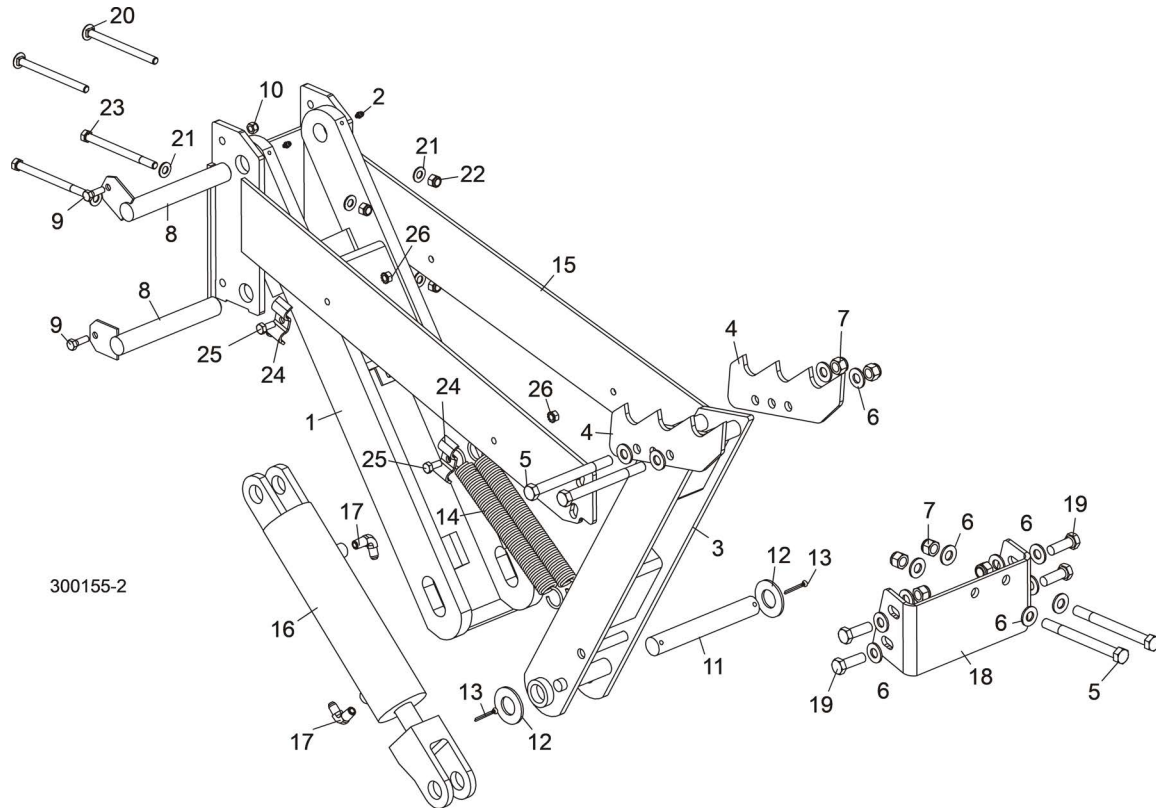
9.4 Hydraulic Log Loader (Optional)



| REF | PART # | DESCRIPTION | COMMENTS | QTY. |
|-----|------------|---|-------------------------------|------|
| 1 | 036722 | ARM, HYDRAULIC LOG LOADING | | 1 |
| 2 | P04107 | Fitting, 3/16" Grease | | 2 |
| 3 | W09444 | CHANNEL, HYDRAULIC LOG LOADING FOOT | | 2 |
| 4 | P04107 | Fitting, 3/16" Grease | | 4 |
| | A09284 | CYLINDER ASSEMBLY, HYDRAULIC LOG LOADING ARM | Available in assemblies only. | 2 |
| 5 | P12847 | Cylinder, 8" X 3" Hydraulic | | 1 |
| | P12956 | Seal Kit, 8" x 3" Hydraulic Cylinder | | 1 |
| 6 | P09143 | Fitting, C5205x4x4 Male Connector | | 2 |
| 7 | P12199 | Fitting, 0455x4x4 90° Swivel Elbow | | 1 |
| | 015832 | Fitting Kit, 1/4NPT 5.0GPM Velocity Fuse | | 1 |
| 8 | 015750 | Fitting, 1/4NPT 5.0GPM Velocity Fuse | Available in assemblies only. | 2 |
| | 015832-255 | Instruction Sheet, Velocity Fuse Replacement | | 1 |
| 9 | W09446 | PIN, LOADING ARM MOUNT | | 4 |
| 10 | F05005-1 | BOLT, 1/4-20 X 3/4" HEX HEAD FULL THREAD | | 4 |
| 11 | F05010-69 | NUT, 1/4-20 HEX LOCK | | 4 |
| 12 | S09251 | PIN, LOADING ARM CYLINDER MOUNT | | 2 |
| 13 | F05011-28 | WASHER, 1" SAE FLAT | | 4 |
| 14 | F05012-23 | PIN, 3/16" X 1 1/2" COTTER | | 4 |
| 15 | P09145 | FITTING, C5705X5X4 UNION 'T' | | 2 |
| 16 | F05008-116 | BOLT, 1/2-13 X 2" HEX HEAD FULL THREAD GRADE 5 | | 10 |
| 17 | F05010-31 | NUT, 1/2-13 JAM | | 2 |

| REF | PART # | DESCRIPTION | COMMENTS | QTY. |
|-----|----------|------------------------------------|----------|------|
| 18 | 036715 | FITTING, 1/4" JIC X 1/4" JIC ELBOW | | 2 |
| 19 | 048270 | MOUNT WELDMENT, LOADER ARM | | 2 |
| 20 | 036737 | PLATE WELDMENT, LOADER ARM MOUNT | | 2 |
| 21 | 038472 | PIN ASSEMBLY, 3/8" X 3" WIRE LOCK | | 2 |
| 22 | F05010-8 | NUT, 1/2-13 HEX NYLON LOCK | | 8 |

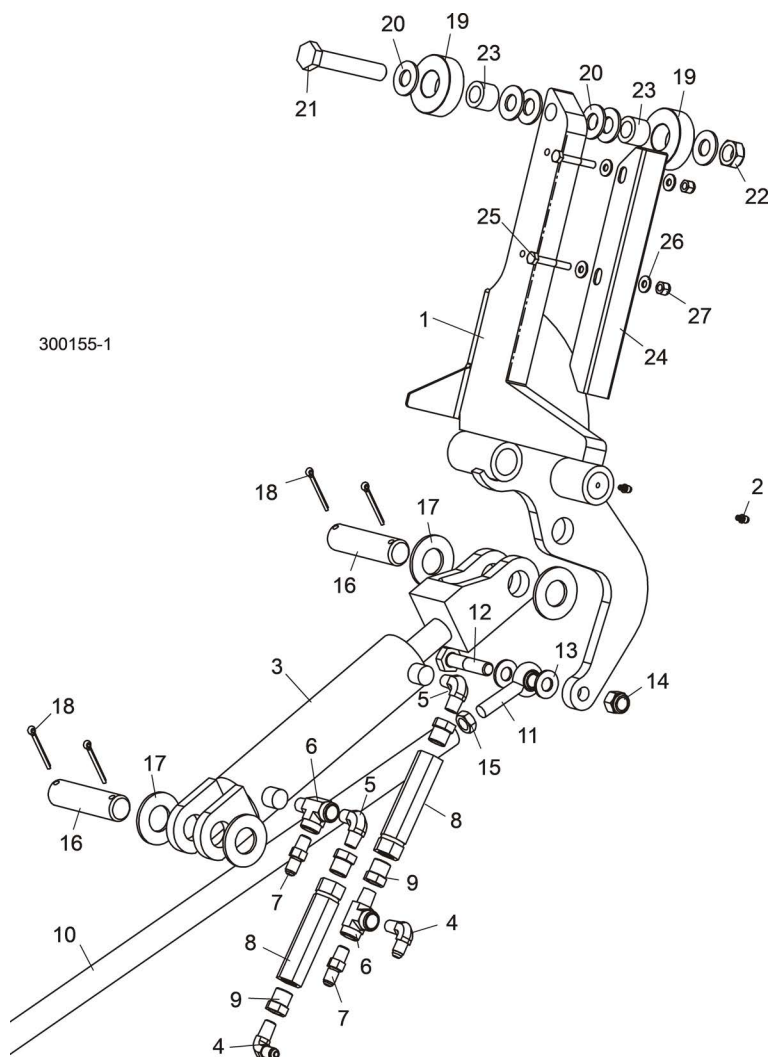
9.5 Hydraulic Log Turner (Optional)



| REF | PART # | DESCRIPTION | COMMENTS | QTY. |
|-----|-----------|---|-------------------------------|------|
| | 007069 | ARM ASSEMBLY, MANUAL MILL HYDRAULIC TURNER | | 1 |
| 1 | 015231 | Arm, Hydraulic Log Turner Link | | 1 |
| 2 | P04107 | Fitting, 3/16" Grease | | 2 |
| 3 | 015233 | Arm, Hydraulic Log Turner Painted | | 1 |
| 4 | 014675 | Claw, Hydraulic Log Turner | | 2 |
| 5 | F05008-28 | Bolt, 1/2-13 X 5 1/2" Hex Head Grade 5 | | 4 |
| 6 | F05011-2 | Washer, 1/2" SAE Flat | | 16 |
| 7 | F05010-8 | Nut, 1/2-13 Hex Nylon Lock | | 8 |
| 8 | 015085 | Pin, Log Turner Mount | | 2 |
| 9 | F05006-1 | Bolt, 5/16-18 X 1" Hex Head Grade 2 | | 2 |
| 10 | F05010-58 | Nut, 5/16-18 Hex Nylon Lock | | 2 |
| 11 | S09246 | Pin, Log Turner Pivot | | 1 |
| 12 | F05011-28 | Washer, 1" SAE Flat | | 2 |
| 13 | F05012-23 | Pin, 3/16" X 1 1/2" Cotter | | 2 |
| 14 | 015718 | Spring, Hydraulic Log Turner | | 2 |
| 15 | 006999 | Mount Weldment, Manual Mill Hydraulic Log Turner | | 1 |
| | A09286 | Cylinder Assembly, Hydraulic Log Turner | | 1 |
| 16 | P12846 | Cylinder, 8" X 2 1/2" Hydraulic | Available in assemblies only. | 1 |
| | P12955 | Seal Kit, 8" x 2 1/2" Hydraulic Cylinder | | 1 |

| REF | PART # | DESCRIPTION | COMMENTS | QTY. |
|-----|------------|---|----------|------|
| 17 | P09142 | Fitting, 1/4" NPT x 1/4" JIC 90° Male Elbow | | 2 |
| 18 | 007048 | Plate, Manual Mill Hydraulic Log Turner Mount | | 1 |
| 19 | F05008-33 | Bolt, 1/2-13 x 1 1/2" Hex Head Grade 5 | | 4 |
| 20 | F05007-113 | Bolt, 3/8-16 x 5" Carriage Head | | 2 |
| 21 | F05011-3 | Washer, 3/8" SAE Flat | | 6 |
| 22 | F05010-10 | Nut, 3/8-16 Hex Nylon Lock | | 4 |
| 23 | F05007-5 | Bolt, 3/8-16 x 5" Hex Head | | 2 |
| 24 | S09245 | Plate, 1/4" Hose Clamp | | 2 |
| 25 | F05006-102 | Bolt, 5/16-18 x 3/4" Hex Head Grade 5 | | 2 |
| 26 | F05010-20 | Nut, 5/16-18 Hex Self-Locking | | 2 |

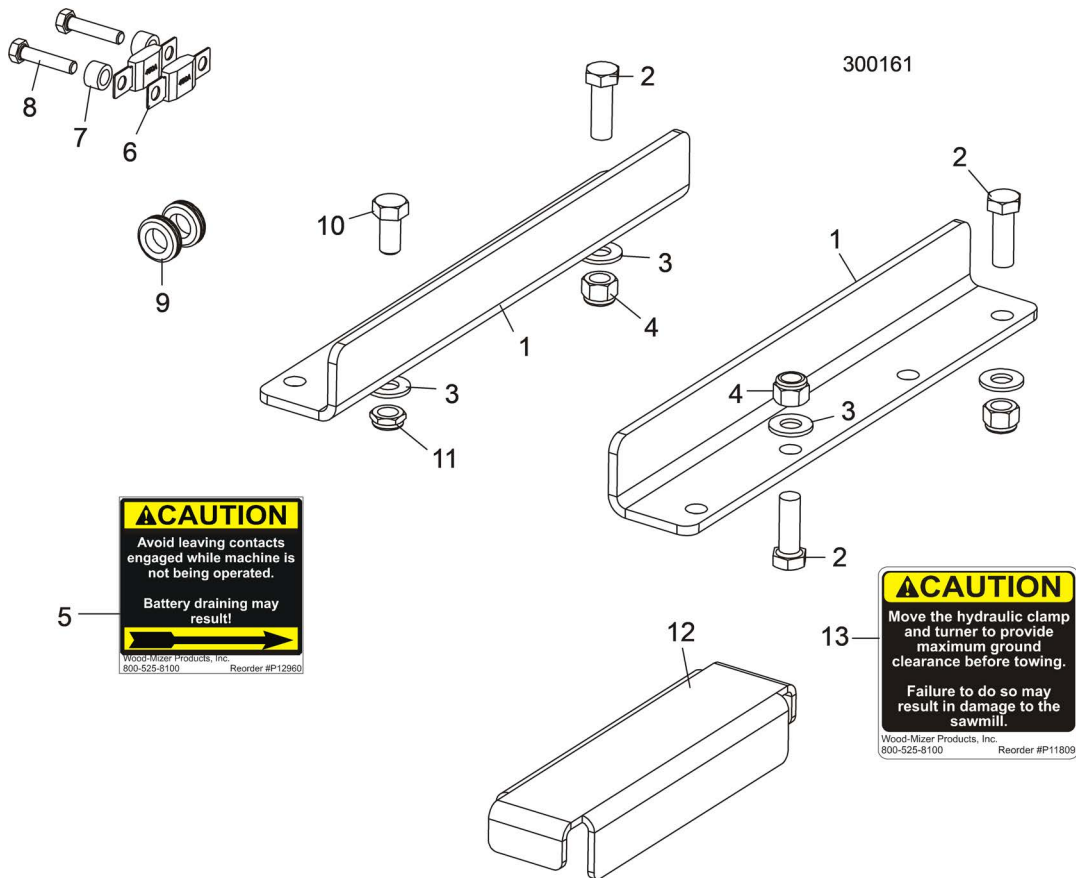
9.6 Hydraulic Log Side Supports (Optional)



| REF | PART # | DESCRIPTION | COMMENTS | QTY. |
|-----|-----------|--|----------|------|
| 1 | W12339 | SUPPORT, HYDRAULIC LOG SIDE | | 2 |
| 2 | P04107 | Fitting, 3/16" Straight Grease | | 2 |
| | A09283 | CYLINDER ASSEMBLY, HYDRAULIC LOG SIDE SUPPORT | | 1 |
| 3 | P12845 | Cylinder, 6" X 2" Hydraulic | | 1 |
| | P12954 | Seal Kit, 6" x 2" Hydraulic Cylinder | | 1 |
| 4 | P09142 | Fitting, 1/4" NPT x 1/4" JIC 90° Male Elbow | | 2 |
| 5 | P09140 | Fitting, 1/4" NPT 90° Male Elbow | | 2 |
| 6 | P09141 | Fitting, 1/4" NPT x 1/4" JIC Male Run 'T' | | 2 |
| 7 | P09143 | Fitting, 1/4" NPT x 1/4" JIC Male Connector | | 2 |
| 8 | 015484 | Valve, Hydraulic Sequence | | 2 |
| 9 | 015490 | Fitting, 3/8" NPT - 1/4" NPT Reducer | | 4 |
| 10 | 015026 | ROD, HYDRAULIC SIDE SUPPORT LINK | | 1 |
| 11 | P09137 | END, 1/2" ROD | | 2 |
| 12 | F05008-10 | BOLT, 1/2-13 X 2 1/4" HEX HEAD GRADE 5 | | 2 |
| 13 | F05011-2 | WASHER, 1/2" SAE FLAT | | 4 |
| 14 | F05010-8 | NUT, 1/2-13 HEX NYLON LOCK | | 2 |
| 15 | F05010-16 | NUT, 1/2-20 HEX JAM | | 1 |

| REF | PART # | DESCRIPTION | COMMENTS | QTY. |
|-----|-------------|---|--|------|
| 16 | S09251 | PIN, CYLINDER MOUNT | | 2 |
| 17 | F05011-28 | WASHER, 1" SAE FLAT | | 4 |
| 18 | F05012-23 | PIN, 3/16" X 1 1/2" COTTER | | 4 |
| | 016562 | ROLLER KIT, SIDE SUPPORT (OPTIONAL) | | 2 |
| 19 | 016561 | Roller, Side Support | | 2 |
| 20 | F05011-5 | Washer, 5/8" SAE Flat | | 6 |
| 21 | F05009-118 | Bolt, 5/8-11 x 3 3/4" Hex Head Grade 5 | | 1 |
| 22 | F05010-96 | Nut, 5/8-11 Hex Nylon Lock Jam | | 1 |
| 23 | 016560 | Bushing, Bronze 5/8" x 1" x 3/4" | | 2 |
| | F05008-94 | Bolt, 1/2-13 x 3 1/2" Carriage Head | | 1 |
| | 016562-526 | Instruction Sheet, Side Support Roller | | 1 |
| | 016798 | GUARD KIT, STAINLESS STEEL SIDE SUPPORT (OPTIONAL) | | 1 |
| 24 | 016722 | Guard, Stainless Steel Side Support | | 4 |
| 25 | F05005-4 | Bolt, 1/4-20 x 1 3/4" Hex Head | | 8 |
| 26 | F05011-11 | Washer, 1/4" SAE Flat | | 16 |
| | F05011-5 | Washer, 5/8" SAE Flat | Extra washers are included for 016562 roller spacing | 4 |
| 27 | F05010-69 | Nut, 1/4-20 Hex Nylon Lock | | 8 |
| | 016798-1005 | Instruction Sheet, Stainless Steel Side Support Guard Retro | | 1 |

9.7 Miscellaneous Loader & Turner Parts



| REF | PART # | DESCRIPTION | COMMENTS | QTY. |
|-----|------------|---|----------|------|
| 1 | 048269 | PLATE, AXLE MOUNT | | 2 |
| 2 | F05008-33 | BOLT, 1/2-13 X 1 1/2" HEX HEAD GRADE 5 | | 3 |
| 3 | F05011-2 | WASHER, 1/2" SAE FLAT | | 4 |
| 4 | F05010-8 | NUT, 1/2" HEX NYLON LOCK | | 3 |
| 5 | P12960 | DECAL, HYDRAULIC CONTACT CAUTION | | 1 |
| 6 | 053339 | FUSE, 225A 32V MEGA | | 2 |
| 7 | 055323 | SPACER, .39" X .625" X .39" | | 2 |
| 8 | F05006-2 | BOLT, 5/16-18 X 1 1/2" HEX HEAD FULL THREAD | | 2 |
| 9 | P11764 | GROMMET, 5/8" ID RUBBER | | 2 |
| 10 | F05008-128 | BOLT, 1/2-13 X 1" HEX HEAD GRADE 8 | | 1 |
| 11 | F05010-127 | NUT, 1/2-13 HEX NYLON HALF NUT | | 1 |
| 12 | 025745 | PLATE, HLT TRAVEL | | 1 |
| 13 | P11809 | DECAL, BEFORE TOWING CAUTION | | 1 |

SECTION 10 MISCELLANEOUS

10.1 Replacement Manuals



| REF | DESCRIPTION (◆ Indicates Parts Available In Assemblies Only) | PART # | QTY. |
|---------------------------------------|--|---------|------|
| Wood-Mizer Product Information | | | |
| 1 | ALL-PRODUCTS CATALOG | PS750 | 1 |
| Basic Sawmill Manuals | | | |
| 2 | TRU-SHARP BLADE HANDBOOK | M600 | 1 |
| 3 | WOOD-MIZER GENERAL INFORMATION | M601 | 1 |
| 4 | LT35 OPERATOR'S MANUAL | M1773 | 1 |
| 5 | LT35 PARTS MANUAL | M1775 | 1 |
| Power Option Manuals | | | |
| 6 | D17 ENGINE OPTION MANUAL (LT35) | M1723 | 1 |
| 7 | G25 ENGINE OPTION MANUAL (LT35) | M1725 | 1 |
| Trailer Option Manuals | | | |
| 8 | ELECTRIC BRAKE TRAILER OPTION | M796 | 1 |
| 9 | SURGE BRAKE TRAILER OPTION | M794 | 1 |
| Miscellaneous Option Manuals | | | |
| 10 | MANUAL WINCH OPTION MANUAL | M619-23 | 1 |
| 11 | LOG TURNER OPTION MANUAL | M620 | 1 |
| 12 | MANUAL TOE BOARD OPTION MANUAL | M627 | 1 |
| 13 | SHINGLE/LAPSIDER OPTION MANUAL | M621 | 1 |
| 14 | RESAW ATTACHMENT OPTION MANUAL | M263 | 1 |
| 15 | BED EXTENSION OPTION MANUAL | M294 | 1 |
| 16 | LATHE-MIZER OPTION MANUAL | M1337 | 1 |