

Wood-Mizer[®] Sawmill

Parts Manual

LT28

rev. A1.00 - A6.17

Safety is our #1 concern!

March 2010

Form #1642



WARNING! Read and understand this manual before using this machine.

California

Proposition 65 Warning



WARNING: Breathing gas/diesel engine exhaust exposes you to chemicals known to the State of California to cause cancer and birth defects or other reproductive harm.

Always start and operate the engine in a well-ventilated area.
If in an enclosed area, vent the exhaust to the outside.
Do not modify or tamper with the exhaust system.
Do not idle the engine except as necessary.

For more information go to www.P65warnings.ca.gov.



WARNING: Drilling, sawing, sanding or machining wood products can expose you to wood dust, a substance known to the State of California to cause cancer. Avoid inhaling wood dust or use a dust mask or other safeguards for personal protection.

For more information go to www.P65Warnings.ca.gov/wood.

Active Patents assigned to Wood-Mizer, LLC

Wood-Mizer, LLC has received patents that protect our inventions which are a result of a dedication to research, innovation, development, and design. Learn more at: woodmizer.com/patents

©2024 Wood-Mizer LLC

Printed in the United States of America, all rights reserved. No part of this manual may be reproduced in any form by any photographic, electronic, mechanical or other means or used in any information storage and retrieval system without written permission from

Wood-Mizer, LLC
8180 West 10th Street
Indianapolis, Indiana 46214

SECTION 1 REPLACEMENT PARTS

1.1 How To Use The Parts List..... 1-1
 To Order Parts *1-1*
 1.2 Sample Assembly..... 1-1
 1.3 Torque Values..... 1-2

SECTION 2 BLADE GUIDE ROLLERS & ARM

2.1 Blade Guide Assembly, Idle Side 2-1
 2.2 Blade Guide Assembly, Drive Side 2-3
 2.3 Blade Guide Arm 2-5

SECTION 3 BLADE WHEELS & TENSIONER

3.1 Blade Drive Assembly 3-6
 3.2 Idle Blade Wheel Assembly..... 3-7
 3.3 Blade Tensioner Assembly (2015-Present)..... 3-8
 3.4 Blade Tensioner Assembly (2006-2015) 3-9
 3.5 Blade Tensioner Assembly(2005-2006) 3-10

SECTION 4 SAW HEAD

4.1 Water Lube Assembly (2024-Present) 4-1
 4.2 Water Lube Assembly (2006-2023)..... 4-2
 4.3 Water Lube Assembly (2005-2006)..... 4-3
 4.4 Saw Head Decals (2010- Present)..... 4-4
 4.5 Saw Head Decals (2008-2010) 4-5
 4.6 Saw Head Decals (2007-2007) 4-6
 4.7 Saw Head Decals (2005-2006) 4-7
 4.8 Blade Housing Covers 4-8
 4.9 Sawdust Chute..... 4-9

SECTION 5 CONTROL & BATTERY BOXES

5.1 Control Assembly (Optional)(2017-Present) 5-1
 5.2 Control Assembly (Optional)(2010-2017)..... 5-3
 5.3 Control Assembly (Optional)(2005- 2010)..... 5-5
 5.4 Battery Box Assembly 5-8

SECTION 6 UP/DOWN SYSTEM

6.1 Saw Head Mount..... 6-1
 6.2 Manual Crank Assembly (2007 - Present)..... 6-3
 6.3 Manual Crank Assembly (2005-2006)..... 6-5
 6.4 Up/Down Assist Assembly (2006-Present) 6-6
 6.5 Up/Down Assist Assembly (2005-2006) 6-8

SECTION 7 FEED SYSTEM & TRACK ROLLERS

7.1 Track Rollers And Wipers 7-1
 7.2 Manual Feed (2006-Present)..... 7-3
 7.3 Manual Feed (2005) 7-5
 7.4 Power Feed Assembly (Optional before 2010)..... 7-7
 7.5 Power Feed Assembly (2005-2010)..... 7-8

Table of Contents

Section-Page

7.6	Feed Chain/Stop (2007-Present).....	7-10
7.7	Feed Chain/Stop (2005-2007)	7-11

SECTION 8 BED FRAME ASSEMBLY

8.1	Bed Frame	8-1
8.2	Bed Rail Assembly, Front And Rear (2006-Present)	8-1
8.3	Bed Rail Assembly, Front And Rear (2005-2006).....	8-3
8.4	Bed Rail Assembly, Middle Front.....	8-5
8.5	Bed Rail Assembly, Middle Rear.....	8-6
8.6	Leg Assembly.....	8-7
8.7	Pivot Bed Rail Assembly.....	8-8
8.8	Log Side Support Assembly	8-9
8.9	Safety Chain Assembly	8-11
8.10	Rest Pin Assembly.....	8-12
8.11	Bed Frame Decals.....	8-13
8.12	Log Clamp.....	8-14
8.13	Log Loading Ramps	8-15
8.14	Board Outfeed Table (Optional).....	8-16

SECTION 9 MISCELLANEOUS

9.1	Replacement Manuals	9-1
-----	---------------------------	-----

SECTION 1 REPLACEMENT PARTS

1.1 How To Use The Parts List

- Use the table of contents to locate the assembly that contains the part you need.
- Go to the appropriate section and locate the part in the illustration.
- Use the number pointing to the part to locate the correct part number and description in the table.
- Parts shown indented under another part are included with that part.

To Order Parts

- From the continental US, call **1-800-525-8100** to order parts. Have your customer number, vehicle identification number, and part numbers ready when you call.
- From other international locations, contact the Wood-Mizer distributor in your area for parts.

1.2 Sample Assembly



REF	PART #	DESCRIPTION	COMMENTS	QTY.
	012345	SAMPLE ASSEMBLY, COMPLETE	INCLUDES ITEMS 1-6	1
1	F02222-22	Sample Part		1
2	F03333-33	Sample Part		2
	098765	Sample Subassembly	Includes items 3-6	1
3	S04444-44	Subassembly Sample Part		1
4	K55555	Subassembly Sample Part		1
	054321	Sample Sub-Subassembly	Includes items 5-6	2
5	022222	Sub-Subassembly Sample Part		1
6	F10234-56	Sub-Subassembly Sample Part		1

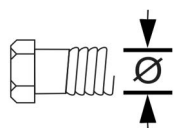
The Sample Assembly, Complete, part number 02345 (top level assembly) includes two parts (F0222-22 and F0333-33) and the 098765 subassembly.

Subassembly 098765 contains two parts(S04444-44 and K55555) and two copies of sub-subassembly 054321.

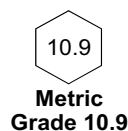
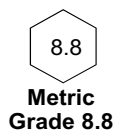
Each sub-subassembly 054321 contains two parts (022222 and F10234-56).

1.3 Torque Values

Grade		Units	SAE 5	SAE 8
Grade Mark				
Bolt Dia.	Threads Per In.	Units	SAE 5	SAE 8
6	32	in-lbs (Nm)	20 (2.3)	-
8	32	in-lbs (Nm)	24 (2.7)	30 (3.4)
10	24	in-lbs (Nm)	35 (4.0)	45 (5.1)
10	32	in-lbs (Nm)	40 (4.5)	50 (5.7)
12	24	in-lbs (Nm)	50 (5.7)	65 (7.3)
1/4	20	in-lbs (Nm)	95 (10.7)	125 (14.1)
1/4	28	in-lbs (Nm)	95 (10.7)	150 (17.0)
5/16	18	ft-lbs (Nm)	17 (22.6)	23 (31.2)
5/16	24	ft-lbs (Nm)	20 (27.1)	25 (33.8)
3/8	16	ft-lbs (Nm)	30 (40.7)	40 (54.2)
3/8	24	ft-lbs (Nm)	35 (47.5)	45 (61.0)
7/16	14	ft-lbs (Nm)	50 (67.8)	65 (88.1)
7/16	20	ft-lbs (Nm)	55 (74.6)	70 (94.9)
1/2	13	ft-lbs (Nm)	75 (101.7)	100 (135.6)
1/2	20	ft-lbs (Nm)	85 (115.3)	110 (149.2)
9/16	12	ft-lbs (Nm)	105 (142.4)	135 (183.1)
9/16	18	ft-lbs (Nm)	115 (155.9)	150 (203.4)
5/8	11	ft-lbs (Nm)	150 (203.4)	195 (264.4)
5/8	18	ft-lbs (Nm)	160 (217.0)	210 (284.8)
3/4	10	ft-lbs (Nm)	170 (230.5)	220 (298.3)
3/4	16	ft-lbs (Nm)	175 (237.3)	225 (305.1)
7/8	9	ft-lbs (Nm)	302 (409.5)	473 (640.9)
7/8	14	ft-lbs (Nm)	300 (406.8)	400 (542.4)
1	8	ft-lbs (Nm)	466 (631.8)	714 (967.4)



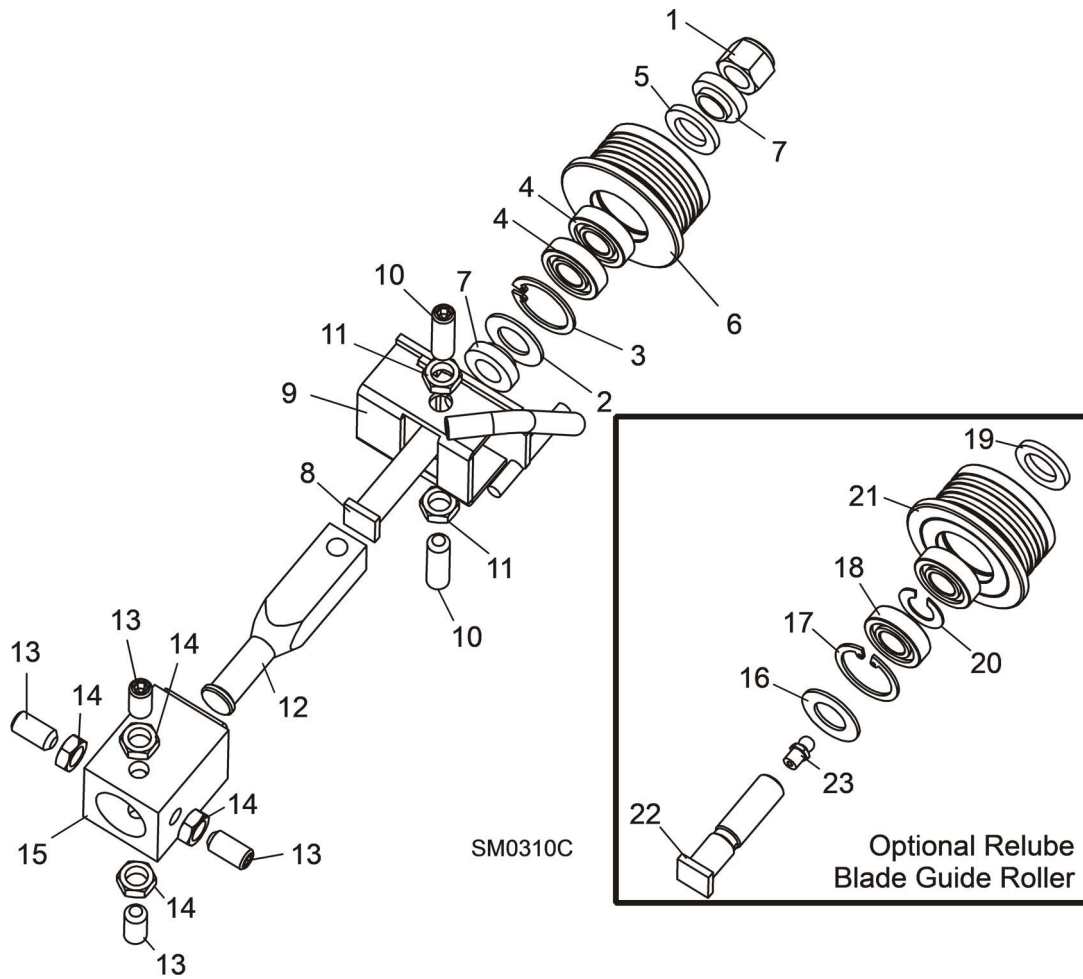
Metric Bolt Head Identification



COARSE THREAD					FINE THREAD				Wrench Size	
Diameter & Thread Pitch	Metric 8.8		Metric 10.9		Diameter & Thread Pitch	Metric 8.8		Metric 10.9		
	N-m	lbs-ft	N-m	lbs-ft		N-m	lbs-ft	N-m		lbs-ft
6 x 1.0	8	6	11	8					10 mm	
8 x 1.25	20	15	27	20	8 x 1.0	21	16	29	22	13 mm
10 x 1.5	39	29	54	40	10 x 1.25	41	30	57	42	16 mm
12 x 1.75	68	50	94	70	12 x 1.25	75	55	103	76	18 mm
14 x 2.0	109	80	151	111	14 x 1.5	118	87	163	120	21 mm
16 x 2.0	169	125	234	173	16 x 1.5	181	133	250	184	24 mm
18 x 2.5	234	172	323	239	18 x 1.5	263	194	363	268	27 mm
20 x 2.5	330	244	457	337	20 x 1.5	367	270	507	374	30 mm
22 x 2.5	451	332	623	460	22 x 1.5	495	365	684	505	34 mm
24 x 3.0	571	421	790	583	24 x 2.0	623	459	861	635	36 mm
30 x 3.0	1175	867	1626	1199	30 x 2.0	1258	928	1740	1283	46 mm

SECTION 2 BLADE GUIDE ROLLERS & ARM

2.1 Blade Guide Assembly, Idle Side



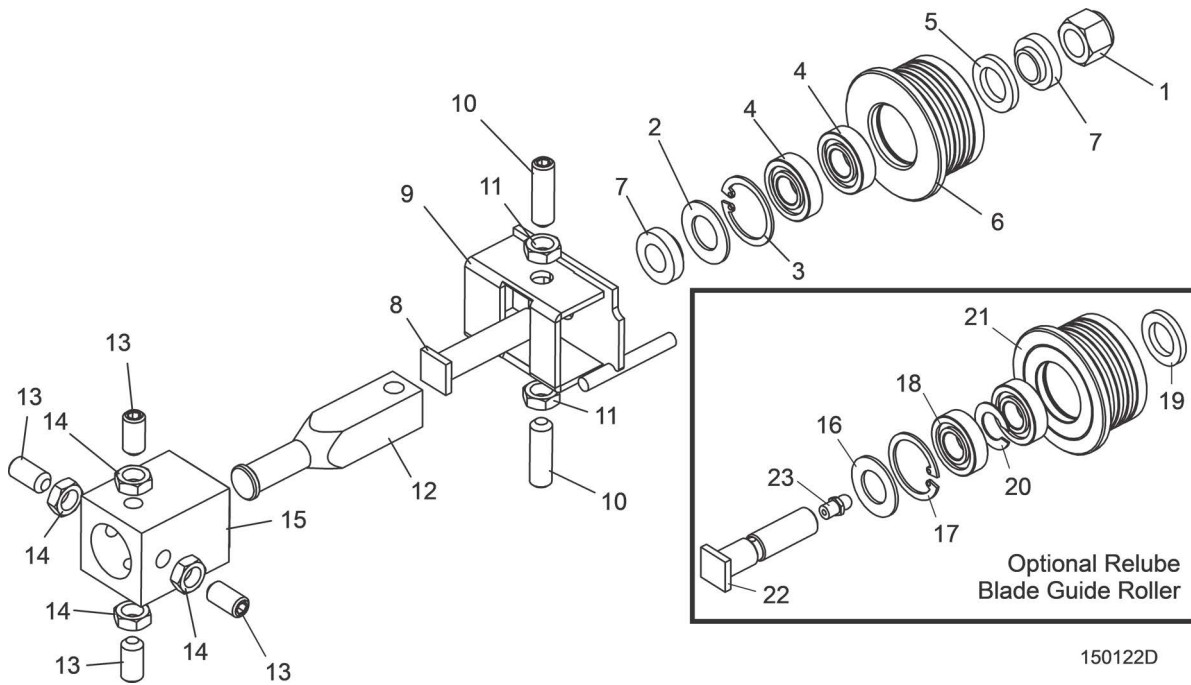
REF	PART #	DESCRIPTION	COMMENTS	QTY.
	A08197	BLADE GUIDE ASSEMBLY, COMPLETE IDLE SIDE		1
1	F05010-15	Nut, 1/2-20 Hex Nylon Lock		1
	A04925	Roller Assembly, Blade Guide (standard)		1
	K07079	Bearing Kit, Blade Guide Rebuild		1
2	P04252	Washer, 5/8" White Felt		1
3	F04254-1	Ring, 1 1/8" Interior Retaining		1
4	015975	Bearing, R8-2RS Blade Guide	Available in assemblies only.	2
5	P06455	Washer, 5/8" Gray Felt		1
	F05005-105	Screw, 1/4-28 x 1/4" Socket Head Cup Point Set Black Oxide		1
	057407-1507	Instruction Sheet, Blade Guide Rebuild		1
6	S04250	Roller, Flanged Blade Guide	Available in assemblies only.	1
	A04925-364	Instruction Sheet, Blade Guide Roller Replacement		1

2 Blade Guide Rollers & Arm

Blade Guide Assembly, Idle Side

REF	PART #	DESCRIPTION	COMMENTS	QTY.
7	S04253	Spacer, Blade Guide		2
8	036373	Bolt, Blade Guide Roller		1
9	W08495	Bracket, Blade Guide Idle Side With Water Tube		1
10	F05007-96	Screw, 3/8-24 X 1 1/4" Stainless Steel Socket Head Flat Point		2
11	F05010-22	Nut, 3/8-24 Jam		2
12	S08196	Shaft, Blade Guide Adjustment		1
13	F05007-95	SCREW, 3/8-24 X 3/4" STAINLESS STEEL SOCKET HEAD FLAT POINT		4
14	F05010-22	NUT, 3/8-24 JAM		4
15	W08159	BLOCK WLDMT, B/G MOUNT (Part of saw frame weldment)		1
	016568	ROLLER ASSEMBLY, BLADE GUIDE RELUBE	(OPTIONAL)	1
	057407	Bearing Kit, Relube Blade Guide Rebuild		1
16	P04252	Washer, 5/8" White Felt		1
17	F04254-1	Ring, 1 1/8" Interior Retaining		1
18	015975	Bearing, R8-2RS Blade Guide	Available in assemblies only. Bearing must be modified for use with relube roller assemblies. Remove one seal from each bearing, place open sides facing each other and place spacer 035411 between bearings.	2
19	P06455	Washer, 5/8" Gray Felt		1
	057407-1507	Instruction Sheet, Blade Guide Rebuild		1
20	035411	Spacer, Blade Guide Bearing		1
21	035426	Roller, Flanged Blade Guide Relube	Available in assemblies only.	1
	A04925-364	Instruction Sheet, Blade Guide Roller Replacement		1
22	S08192	BOLT, BLADE GUIDE ROLLER (RELUBE ONLY)		1
23	P05060	FITTING, 1/4-28 GREASE (RELUBE ONLY)		1

2.2 Blade Guide Assembly, Drive Side



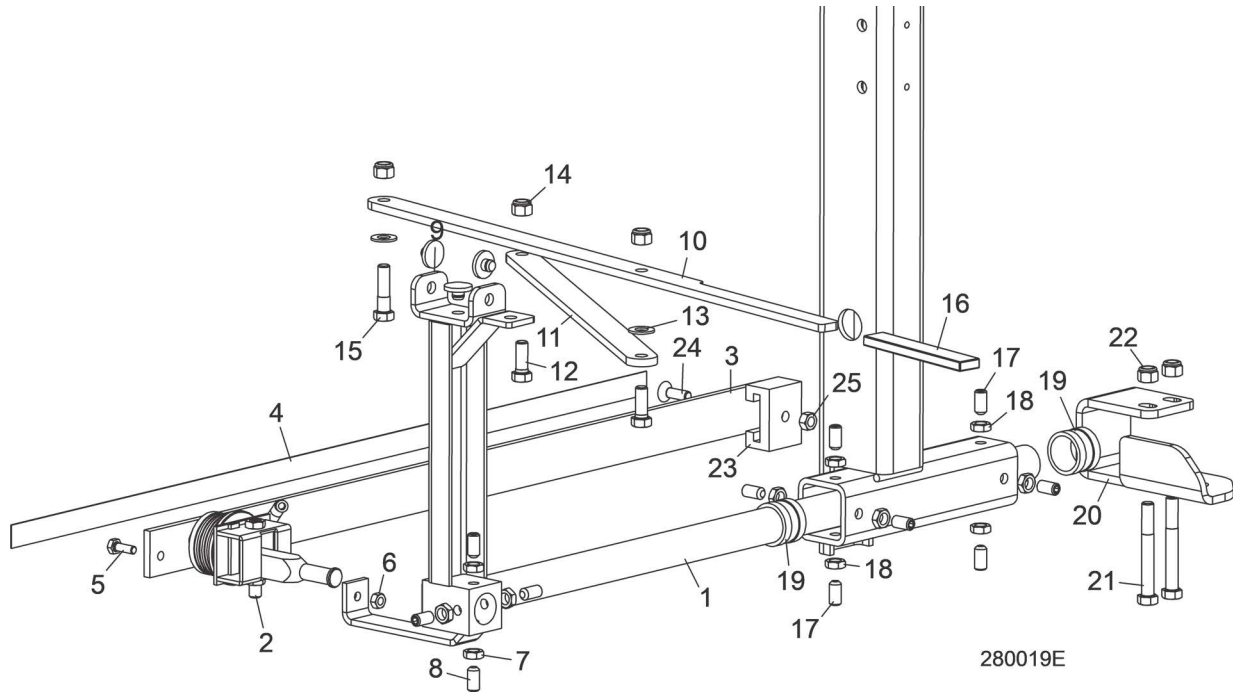
REF	PART #	DESCRIPTION	COMMENTS	QTY.
	A08191	BLADE GUIDE ASSEMBLY, COMPLETE DRIVE SIDE		1
1	F05010-15	Nut, 1/2-20 Hex Nylon Lock		1
	A04925	Roller Assembly, Blade Guide (standard)		1
	K07079	Bearing Kit, Blade Guide Rebuild		1
2	P04252	Washer, 5/8" White Felt		1
3	F04254-1	Ring, 1 1/8" Interior Retaining		1
4	015975	Bearing, R8-2RS Blade Guide	Available in assemblies only.	2
5	P06455	Washer, 5/8" Gray Felt		1
	F05005-105	Screw, 1/4-28 x 1/4" Socket Head Cup Point Set Black Oxide		1
	057407-1507	Instruction Sheet, Blade Guide Rebuild		1
6	S04250	Roller, Flanged Blade Guide	Available in assemblies only.	1
	A04925-364	Instruction Sheet, Blade Guide Roller Replacement		1
7	S04253	Spacer, Blade Guide		2
8	036373	Bolt, Blade Guide Roller		1
9	W08482	Bracket, Blade Guide Drive Side		1
10	F05007-96	Screw, 3/8-24 X 1 1/4" Stainless Steel Socket Head Flat Point		2
11	F05010-22	Nut, 3/8-24 Jam		2
12	S08196	Shaft, Blade Guide Adjustment		1
13	F05007-95	SCREW, 3/8-24 X 3/4" STAINLESS STEEL SOCKET HEAD FLAT POINT SET		3
14	F05010-22	NUT, 3/8-24 JAM		4
15	W08159	BLOCK WLDMT, B/G MOUNT (Part of saw frame weldment)		1

2 Blade Guide Rollers & Arm

Blade Guide Assembly, Drive Side

REF	PART #	DESCRIPTION	COMMENTS	QTY.
	016568	ROLLER ASSEMBLY, BLADE GUIDE RELUBE (OPTIONAL)		1
	057407	Bearing Kit, Relube Blade Guide Rebuild		1
16	P04252	Washer, 5/8" White Felt		1
17	F04254-1	Ring, 1 1/8" Interior Retaining		1
18	015975	Bearing, R8-2RS Blade Guide	Available in assemblies only. Bearing must be modified for use with relube roller assemblies. Remove one seal from each bearing, place open sides facing each other and place spacer 035411 between bearings.	2
19	P06455	Washer, 5/8" Gray Felt		1
20	035411	Spacer, Blade Guide Bearing		1
	057407-1507	Instruction Sheet, Blade Guide Rebuild		1
21	035426	Roller, Flanged Blade Guide Relube	Available in assemblies only.	1
	A04925-364	Instruction Sheet, Blade Guide Roller Replacement		1
22	S08192	BOLT, BLADE GUIDE ROLLER (RELUBE ONLY)		1
23	P05060	FITTING, 1/4-28 GREASE (RELUBE ONLY)		1

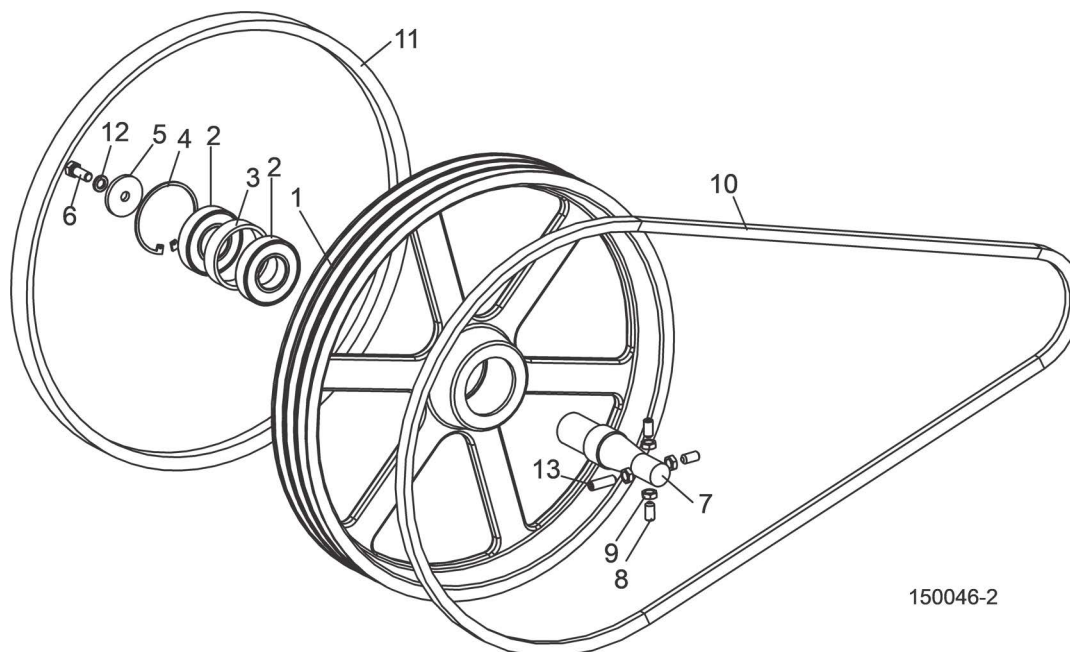
2.3 Blade Guide Arm



REF	PART #	DESCRIPTION	COMMENTS	QTY.
	046966	ARM ASSEMBLY, LT15 BLADE GUIDE (2004)		1
1	046965	Arm Weldment, LT15 Blade Guide (2004)		1
2		Blade Guide Parts	(See Section 2.1)	
3	014955	Guard, LT15 Blade Guide Arm		1
4	015849	Decal, LT15 Blade Guide Arm		1
5	F05005-1	Bolt, 1/4-20 x 3/4" Hex Head Full Thread		1
6	F05010-21	Nut, 1/4-20 Hex Lock		1
7	F05010-22	Nut, 3/8-24 Hex Jam		4
8	F05007-95	Screw, 3/8-24 x 3/4" Socket Head Flat Point Set		4
9	014973	Pad, Blade Guide Slide		3
10	076118	PLATE, LT15 WIDE BLADE GUIDE ARM ADJUSTMENT	Replaced 046828 per ECN 20613.	1
11	076117	PLATE, LT15 WIDE BLADE GUIDE ARM LINK	Replaced 046827 per ECN 20613.	1
12	F05007-87	BOLT, 3/8-16 X 1" HEX HEAD GRADE 5		2
13	F05011-3	WASHER, 3/8" SAE FLAT		3
14	F05010-10	NUT, 3/8-16 HEX NYLON LOCK		3
15	F05007-78	BOLT, 3/8-16 X 1 1/2" HEX HEAD GRADE 5		1
16	004742	GRIP, 5/8" ID RUBBER HANDLE	Replaced 048605 prior to A3.00	1
17	F05007-95	SCREW, 3/8-24 X 3/4" STAINLESS SOCKET HEAD FLAT POINT SET		8
18	F05010-22	NUT, 3/8-24 HEX JAM		8
19	015899	BUSHING, BLADE GUIDE ARM		2
20	049141	BRACKET, SAW HEAD REST		1
21	F05007-73	BOLT, 3/8-16 X 3" HEX HEAD GRADE 5		2
22	F05010-10	NUT, 3/8-16 HEX NYLON LOCK		2
23	014882	BRACKET, BLADE GUIDE ARM GUIDE		1
24	F05006-124	BOLT, 5/16-18 X 1" FLAT HEAD SOCKET		1
25	F05010-6	NUT, 5/16-18 HEX LOCK		1

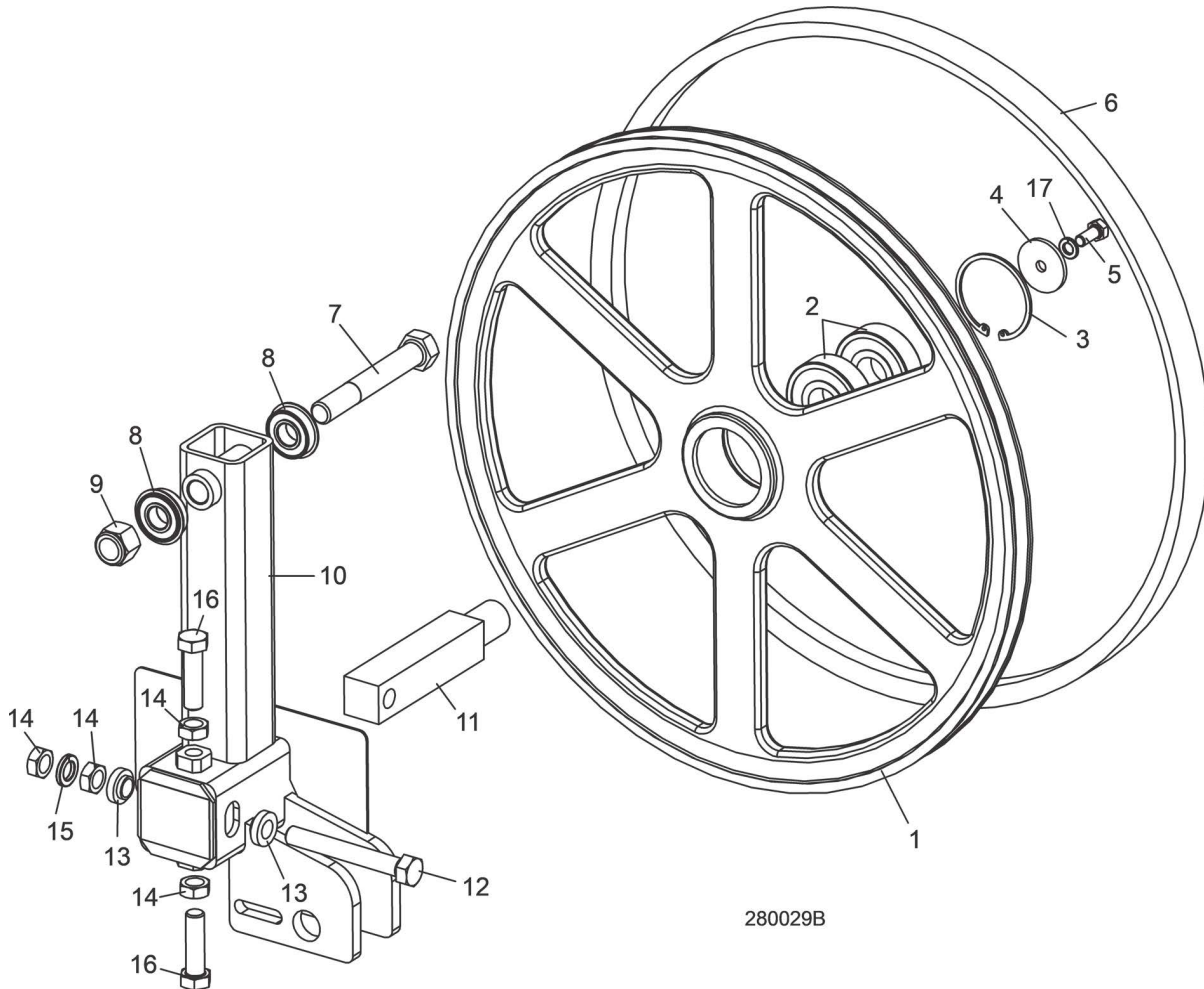
SECTION 3 BLADE WHEELS & TENSIONER

3.1 Blade Drive Assembly



REF	PART #	DESCRIPTION	COMMENTS	QTY.
		BLADE WHEEL BRAKE PARTS, G18	See Engine Manual	
		BLADE WHEEL BRAKE PARTS, D17	See Engine Manual	
		BLADE WHEEL BRAKE PARTS, D19	See Engine Manual	
		BLADE WHEEL BRAKE PARTS, G25	See Engine Manual	
	036657	WHEEL ASSEMBLY, DRIVE SIDE BLADE		1
1	047702	Wheel, Drive Side Blade		1
2	014811	Bearing, #6207 2RS		2
3	014730	Spacer, Drive Bearing		1
4	F04254-30	Ring, 3.121 IR Beveled Retaining		1
5	014728	WASHER, DRIVE WHEEL RETAINING		1
6	F05007-87	BOLT, 3/8-16 X 1" HEX HEAD		1
7	014729	SHAFT, LT15 DRIVE SIDE BLADE WHEEL		1
8	F05007-95	SCREW, 3/8-24 X 3/4" FLAT POINT SOCKET HEAD		3
9	F05010-22	NUT, 3/8-24 HEX JAM		4
10		BELT, DRIVE (SEE ENGINE MANUAL FOR PART #)		1
11	P04185	BELT, B57		1
12	F05011-4	WASHER, 3/8" SPLIT LOCK		1
13	F05007-96	SCREW, 3/8-24 X 1 1/4" FLAT POINT SOCKET HEAD		1

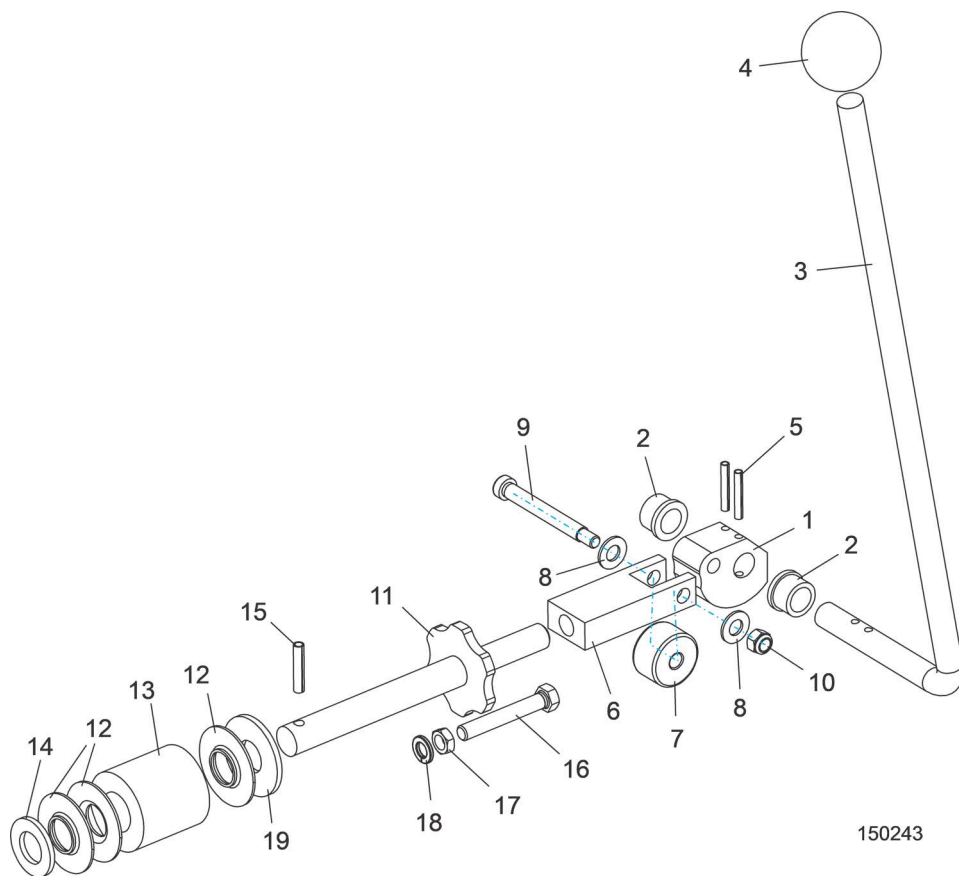
3.2 Idle Blade Wheel Assembly



REF	PART #	DESCRIPTION	COMMENTS	QTY.
	A08218	WHEEL ASSEMBLY, IDLE SIDE BLADE		1
1	P08125	Wheel, Idle Side Blade	Available in assemblies only.	1
2	P08066	Bearing, Idle Side Blade Wheel #6305-AA, C3, ABEC-1, SRI-2 Grease		2
3	F04254-21	Ring, 2 7/16" Internal Retaining		1
4	S08220	WASHER, IDLE BLADE WHEEL RETAINER		1
5	F05006-102	BOLT, 5/16-18 X 3/4" HEX HEAD		1
6	P04185	BELT, BLADE WHEEL B57		1
7	F05009-3	BOLT, 5/8-11 X 4 1/2" HEX HEAD		1
8	014834	BEARING, 5/8" I.D. W/SNAP RING		2
9	F05010-34	NUT, 5/8-11 HEX NYLON LOCK		1
10	049349	IDLER WELDMENT, BLADE WHEEL		1
11	S12565	SHAFT, IDLE WHEEL		1
12	F05008-111	BOLT, 1/2-20 X 3 3/4" HEX HEAD FULL THREAD GRADE 2		1
13	S04253	SPACER, 1/2" I.D. FLANGED		2
14	F05010-16	NUT, 1/2-20 HEX JAM		4
15	F05011-9	WASHER, 1/2" SPLIT LOCK		1
16	F05008-127	BOLT, 1/2-20 X 1 3/4" HEX HEAD GRADE 5		2
17	F05011-13	WASHER, 5/16" SPLIT LOCK		1

3.3 Blade Tensioner Assembly (2015-Present)

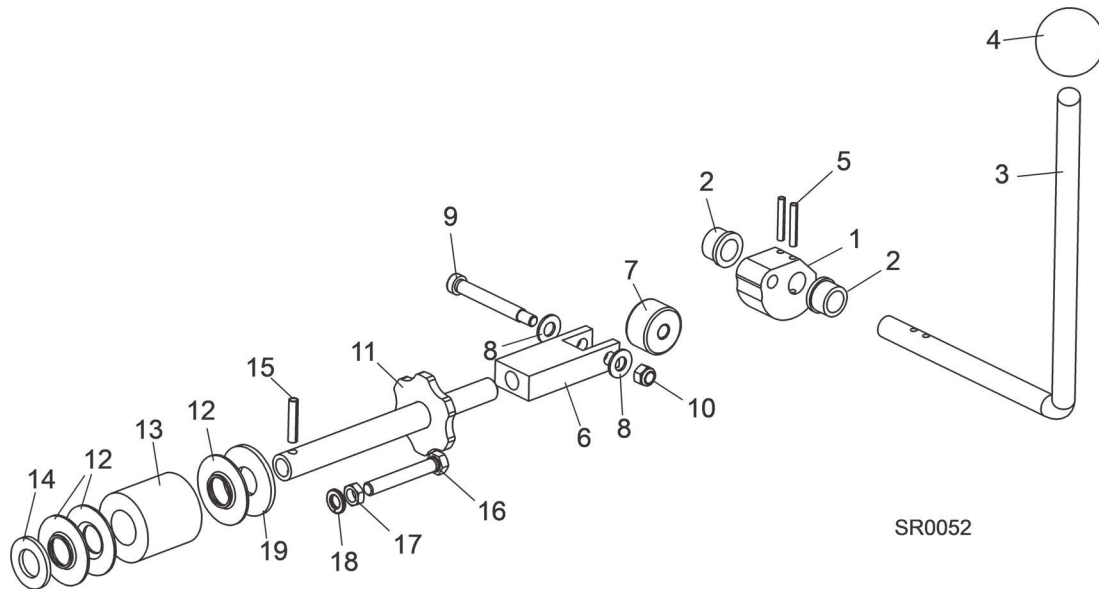
LT28 Rev A6.12-Present



REF	PART #	DESCRIPTION	COMMENTS	QTY.
	074801	TENSION ASSEMBLY, CAM ACTUATED BLADE(LT15/28/35, HR120/130)		1
1	049104	Cam, Tension		1
2	P05135	Bushing, 5/8" x 7/8" x 1/2" Bronze		2
3	103801	Handle, Blade Tensioner, LT15/28/35		1
4	P04211	Knob, 5/8-18 Ball		1
5	F05012-16	Pin, 3/16" x 1 1/4" Roll		2
6	128072	Block, Tensioner Bearing Mount		1
7	048219	Cam Follower, 3/8" x 1 3/8" x 13/16"		1
8	F05011-3	Washer, 3/8" SAE Flat		2
9	F05007-202	Bolt, 3/8 x 2 1/2" Socket Head Shoulder		1
10	F05010-58	Nut, 5/16-18 Hex Nylon Lock		1
11	038642	Shaft Weldment, Blade Tension		1
12	014925	Guide, Tension Handle		3
13	014828	Spring, Rubber Tensioner Blade		1
14	F05011-62	Washer, 3/4" SAE Flat		1
15	F05012-12	Pin, 1/4" x 1 1/4" Roll		1
16	F05007-157	Bolt, 3/8-16 x 2 1/2" Hex Head Full Thread		1
17	F05010-29	Nut, 3/8-16 Jam		1
18	F05011-4	Washer, 3/8" Split Lock		1
19	F05011-29	Washer, 3/4" USS Flat		1

3.4 Blade Tensioner Assembly (2006-2015)

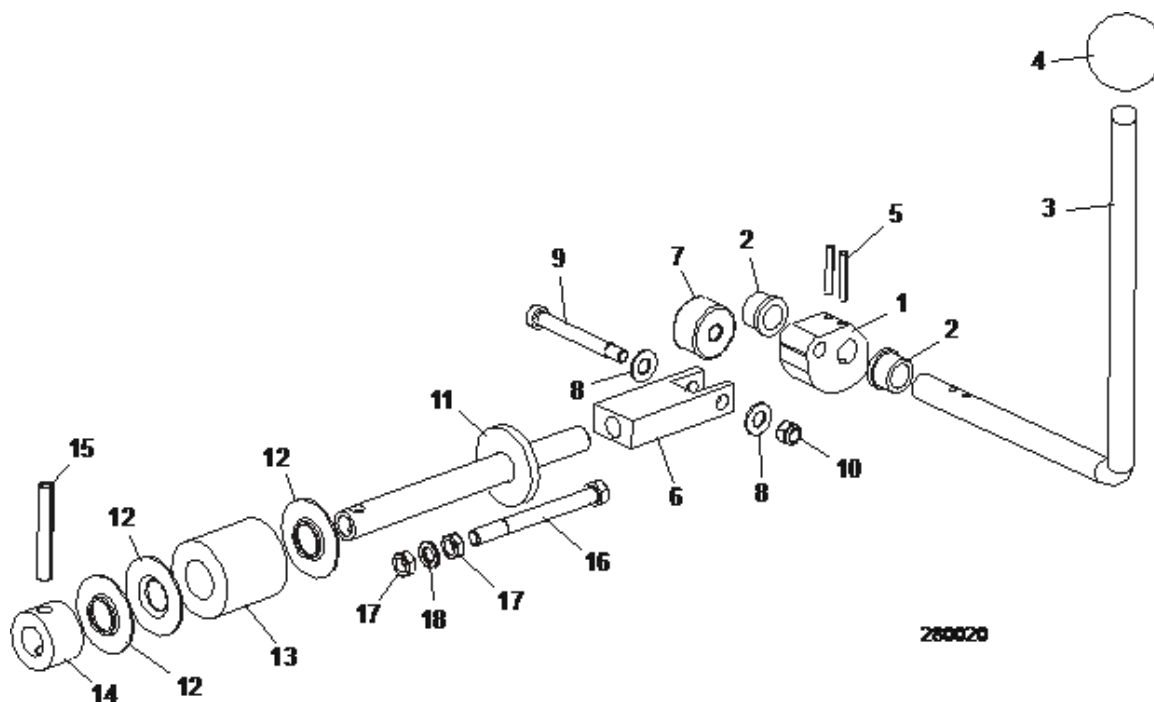
LT28 Rev. A2.00 - A6.11



REF	PART #	DESCRIPTION	COMMENTS	QTY.
	038643	TENSION ASSEMBLY, CAM ACTUATED BLADE		1
1	049104	Cam, Tension		1
2	P05135	Bushing, 5/8" x 7/8" x 1/2" Bronze		2
3	048804	Handle, Blade Tensioner		1
4	P04211	Knob, 5/8-18 Ball		1
5	F05012-16	Pin, 3/16" x 1 1/4" Roll		2
6	049321	Block, Tensioner Bearing Mount		1
7	048219	Cam Follower, 3/8" x 1 3/8" x 13/16"		1
8	F05011-3	Washer, 3/8" SAE Flat		2
9	F05007-202	Bolt, 3/8 x 2 1/2" Socket Head Shoulder		1
10	F05010-58	Nut, 5/16-18 Hex Nylon Lock		1
11	038642	Shaft Weldment, Blade Tension		1
12	014925	Guide, Tension Handle		3
13	014828	Spring, Rubber Tensioner Blade		1
14	F05011-62	Washer, 3/4" SAE Flat		1
15	F05012-12	Pin, 1/4" x 1 1/4" Roll		1
16	F05007-157	Bolt, 3/8-16 x 2 1/2" Hex Head Full Thread		1
17	F05010-29	Nut, 3/8-16 Jam		1
18	F05011-4	Washer, 3/8" Split Lock		1
19	F05011-29	Washer, 3/4" USS Flat		1

3.5 Blade Tensioner Assembly(2005-2006)

LT28 Rev A1.00 - A2.00

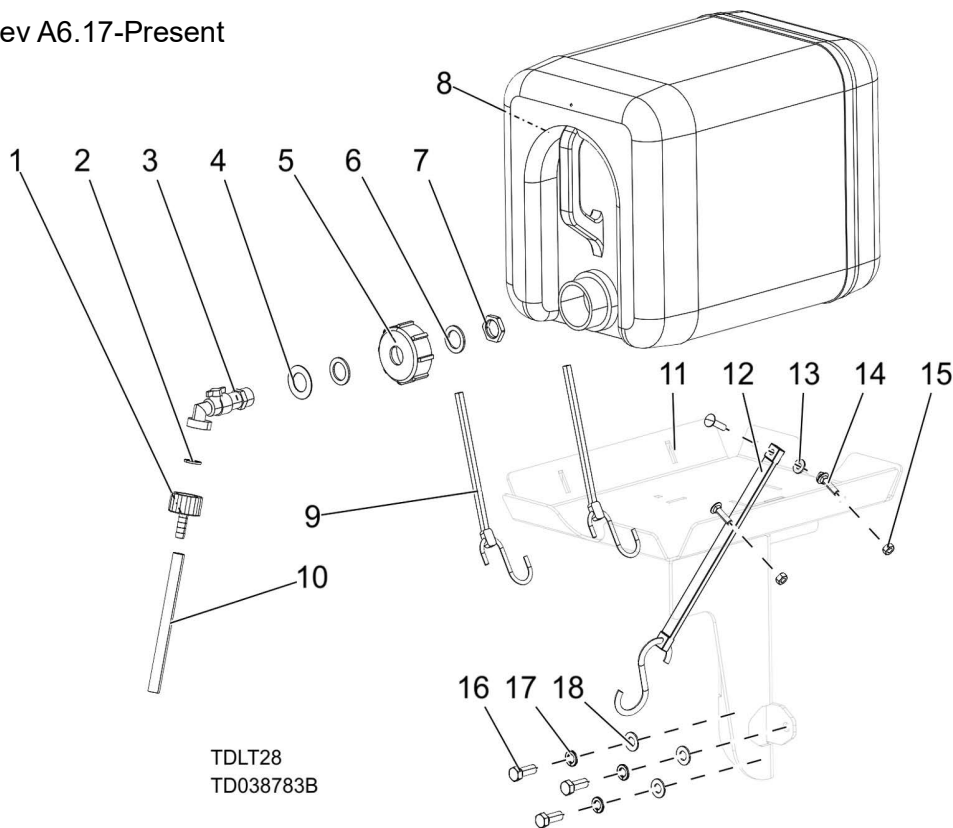


REF	PART #	DESCRIPTION	COMMENTS	QTY.
	049320	TENSION ASSY, CAM ACTUATED BLADE		
1	049104	Cam, Blade Tension		1
2	P05135	Bushing, 5/8x7/8x1/2 Bronz		2
3	048804	Handle, Blade Tensioner, LT10		1
4	P04211	Knob, 5/8-18 Ball		1
5	F05012-16	Pin, 3/16x1 1/4 Roll		2
6	049321	Block, Tensioner Bearing Mount		1
7	048219	Cam Follower, 3/8x1 3/8x13/16		1
8	F05011-3	Washer, 3/8 SAE Flat		2
9	F05007-202	Bolt, 3/8x2 1/2 Soc Hd Shoulder		1
10	F05010-58	Nut, 5/16-18 Nylok Hex		1
11	049358	Shaft Weldment, Blade Tension		1
12	014925	Guide, Tension Handle		3
13	014828	Spring, Tensioner Blade LT15		1
14	049360	Hub, Tension Handle Cam Actuated		1
15	F05012-114	Pin, 3/8x2-1/2 Roll, Unplt		1
16	F05007-92	Bolt, 3/8-16x4 FT HH Tap Gr5		1
17	F05010-29	Nut, 3/8-16 Jam		2
18	F05011-4	Washer, 3/8 Split Lock		1

SECTION 4 SAW HEAD

4.1 Water Lube Assembly (2024-Present)

LT28 Rev A6.17-Present

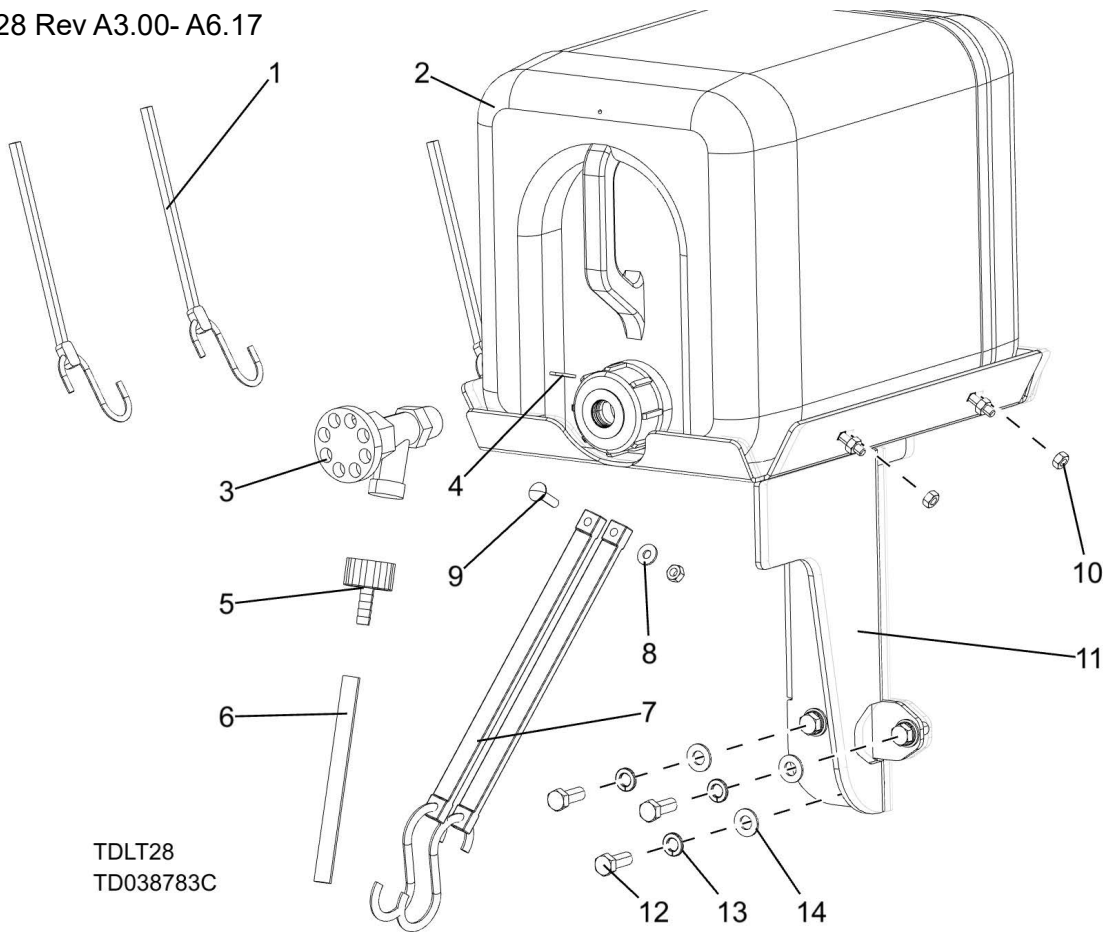


TDLT28
TD038783B

REF	PART #	DESCRIPTION	COMMENTS	QTY.
	038783	Tray Assy, Water Lube Bottle		1
	550787	Assembly, Water Bottle		
1	550777	Fitting, G3/4" X 10mm Hose Barb		1
2	550778	Gasket, 1/2 (Batard)		1
3	550776	Fitting, Water Lube Shutoff Valve		1
4	530841	Shim, 21/37-1		1
5	550785	Cap, Water Bottle		1
6	550780	O-ring, 27x20x1.5		2
7	550779	Gland Nut, 1/2 Npt		1
8	513866	Bottle, Water		1
9	P11668	Strap, 20 Rubber W/hooks		2
10	R01885	Hose, Water Lube Stock		1
11	049137	Tray Weldment, Lt28 Fuel		1
12	012965	Strap, Rubber 9"		1
13	F05011-11	Washer, 1/4 SAE Flat		1
14	F05005-34	Bolt, 1/4-20 X 1 Carr		3
15	F05010-21	Nut, 1/4-20 Swaged		3
16	F05007-87	Bolt, 3/8-16x1 Gr5 HH		3
17	F05011-4	Washer, 3/8 Split Lock		3
18	F05011-3	Washer, 3/8 Flat SAE		3

4.2 Water Lube Assembly (2006-2023)

LT28 Rev A3.00- A6.17

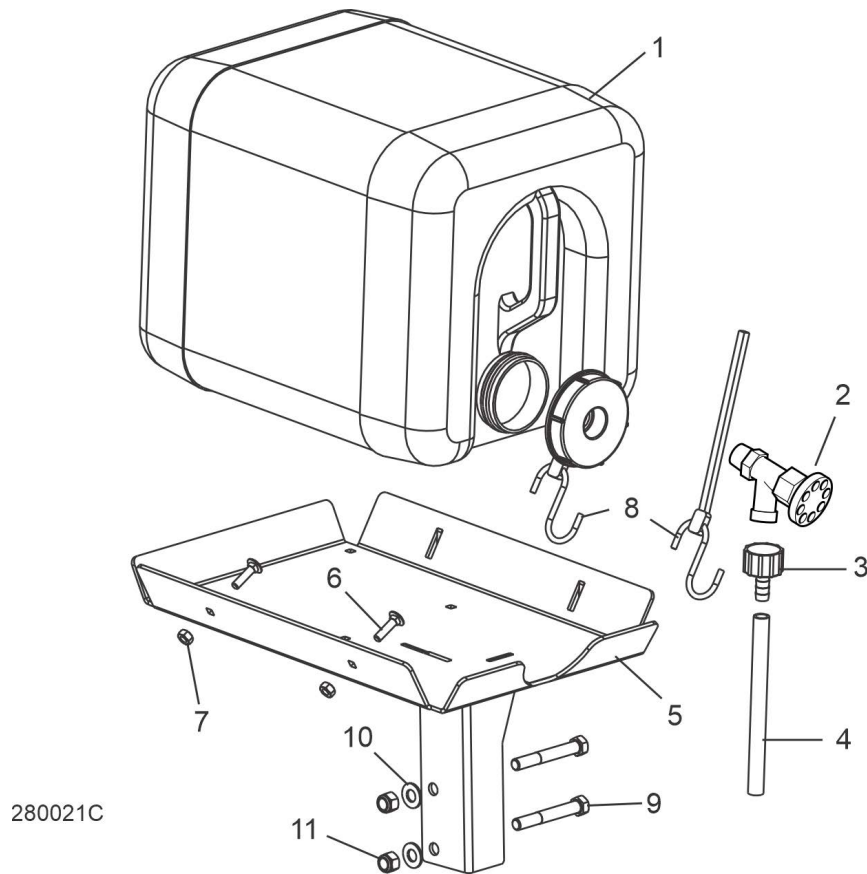


TDLT28
TD038783C

REF	PART #	DESCRIPTION	COMMENTS	QTY.
	038783	Tray Assy, Water Lube Bottle		1
1	P11668	Strap, 20 Rubber W/Hooks	Added after 2007, per ECN 16194	2
	110731	Bottle Kit, 5 Gallon Water		1
2	014642	Bottle, 5Gal Water with cap		1
	014636	Fitting, 3/4FPTx3/4MPT	Deleted after 9/19/2022 per ECN 38718.	1
3	133320	Valve, 3/4 NPT Elbow 3/4 Male GHT Outlet	Replaced 014100 after 9/16/2022 per ECN 38718.	1
	014100	Fitting, Water Lube Shutoff Valve		1
4	016086	Filter, Water Lube		1
5	014113	Fitting, 5/8-3/8 Hose Barb		1
6	R01885	Hose, Water Lube Stock		1
7	012965	Strap, Rubber 9"		1
8	F05011-11	Washer, 1/4 SAE Flat		1
9	F05005-34	Bolt, 1/4-20 X 1 Carr		3
10	F05010-21	Nut, 1/4-20 Swaged		3
11	049137	Tray Weldment, LT28 Fuel		1
12	F05007-87	Bolt, 3/8-16x1 Gr5 HH		3
13	F05011-4	Washer, 3/8 Split Lock		3
14	F05011-3	Washer, 3/8 Flat SAE		3

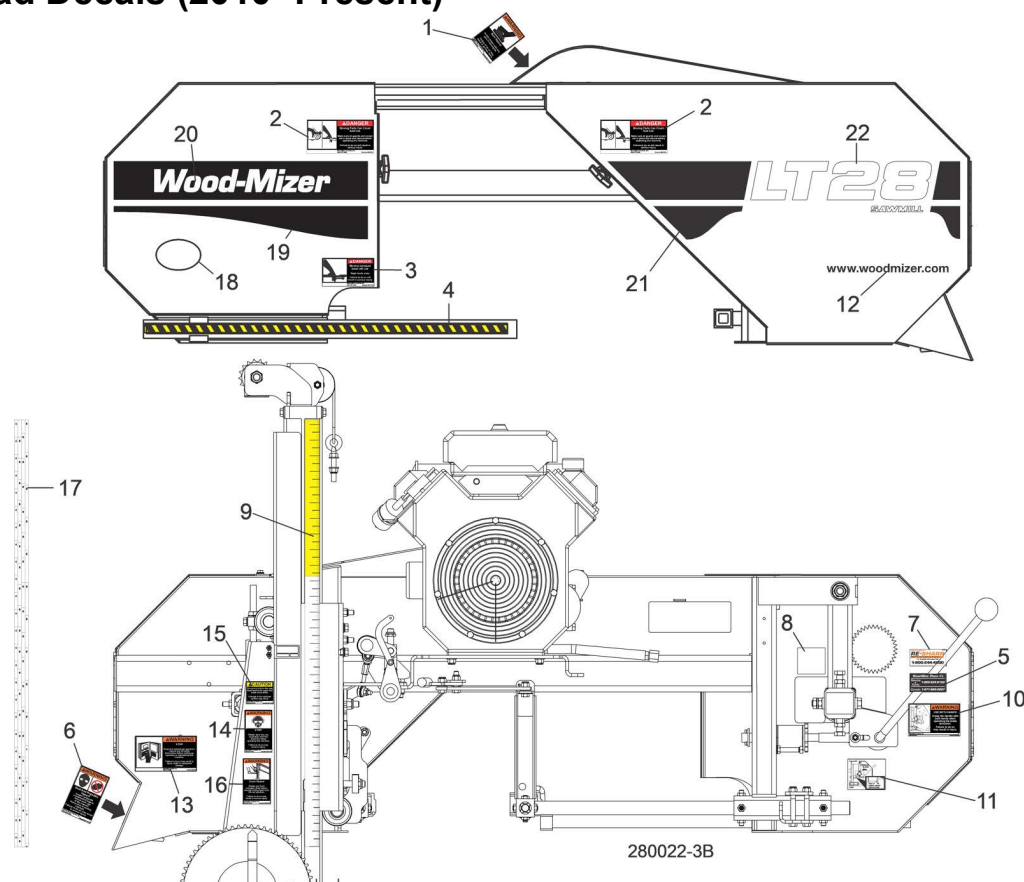
4.3 Water Lube Assembly (2005-2006)

LT28 Rev. A1.00- A2.01



REF	PART #	DESCRIPTION	COMMENTS	QTY.
	048599	TRAY ASSY, LT28 WATER BOTTLE		
1	014642	Assy, Water Bottle		1
	014636	Fitting, 3/4FPT x 3/4MPT	Deleted after 9/19/2022 per ECN 38718.	1
2	133320	Valve, 3/4 NPT Elbow 3/4 Male GHT Outlet	Replaced 014100 after 9/19/2022 per ECN 38718.	1
	014100	Fitting, Water Lube Shutoff Valve		1
3	014113	Fitting, 5/8" NPT to 3/8" Hose Barb		1
4	R01885	Tubing, Water Lube 3/8" I.D		1
5	048600	Tray Weldment, LT28 Water Bottle		1
6	F05005-34	Bolt, 1/4-20x1 Carriage		2
7	F05010-21	Nut, 1/4-20 Swaged		2
8	P11668	Strap, 20 Rubber W/Hook		2
9	F05007-29	Screw, 3/8-16x2 3/4 HHC		2
10	F05011-3	Washer, 3/8 SAE Flat		2
11	F05010-10	Nut, 3/8-16 Hex Nyloc		2

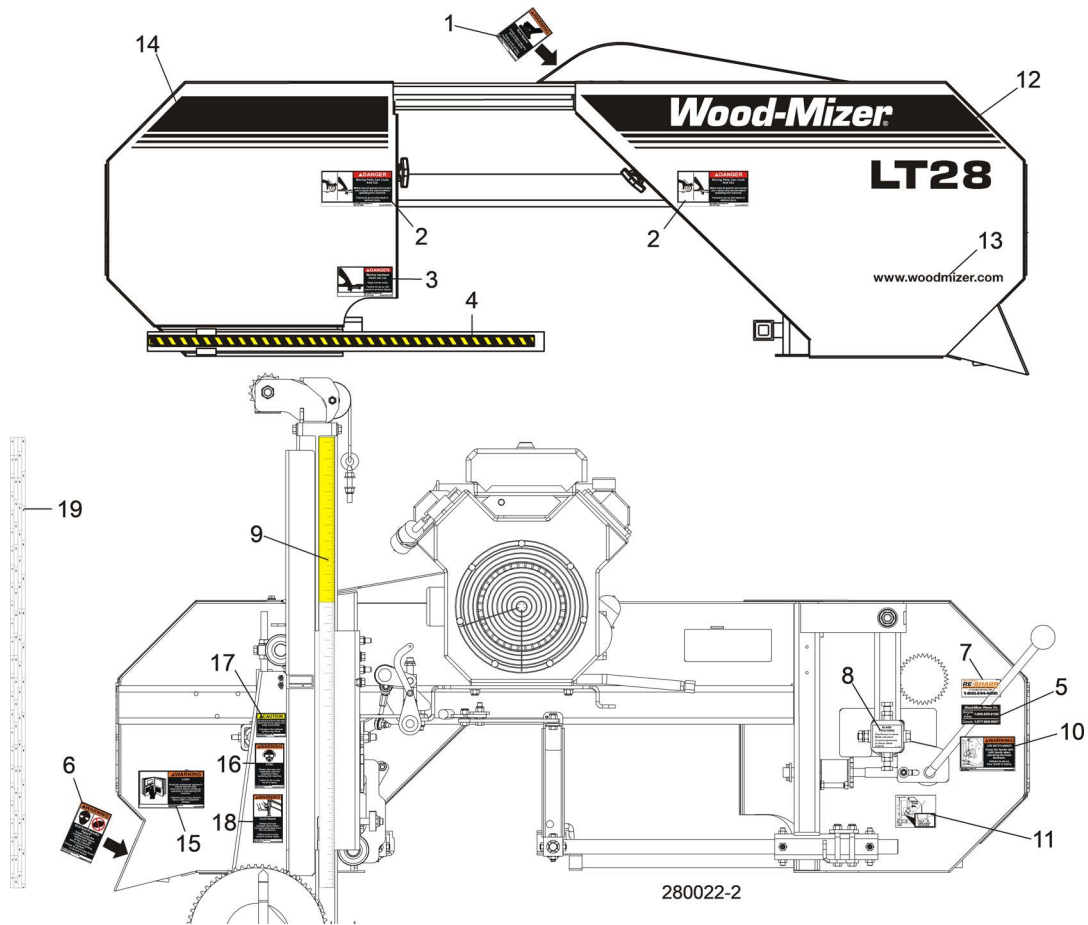
4.4 Saw Head Decals (2010- Present)



REF	PART #	DESCRIPTION	COMMENTS	QTY.
1	014419	DECAL, HOT ENGINE WARNING		1
2	033254	DECAL, MOVING PARTS DANGER		2
3	S11752	DECAL, BLADE DANGER W/ARROW		1
4	015849	DECAL, BLADE GUIDE ARM STRIPE		1
5	S12117	DECAL, TOLL FREE PARTS		1
6	P11754	DECAL, SAWDUST CHUTE WARNING		1
7	P12879	DECAL, TRUSHARP INFO		1
8	P11789	DECAL, BLADE TRACK INFO		1
9	S11773	DECAL, INCH SCALE		1
10	049367	DECAL, TENSIONER WARNING		1
11	049368	DECAL, BLADE TENSION INFO		1
12	003235	DECAL, WOOD-MIZER WEBSITE		1
13	016402	DECAL, READ MANUAL WARNING		1
14	S11753	DECAL, EYE/EAR PROTECTION WARNING		1
15	S11762	DECAL, UP/DOWN CAUTION		1
16	015400	DECAL, FRONT OUTRIGGER WARNING		1
17	016275	DECAL, MAGNETIC QUARTER SCALE		1
18	074008	DECAL, BUILT IN THE USA	Replaced 008780 1/21	1
19	065008	DECAL, LT15/28/35 IDLE SIDE BLACK EURO STRIPE		1
20	065002	DECAL, LT10/15/28/35 WHITE WM LOGO		1
21	065010	DECAL, LT28/35 DRIVE SIDE BLACK EURO STRIPE		1
22	065021	DECAL, LT28 WHITE EURO LOGO		1

4.5 Saw Head Decals (2008-2010)

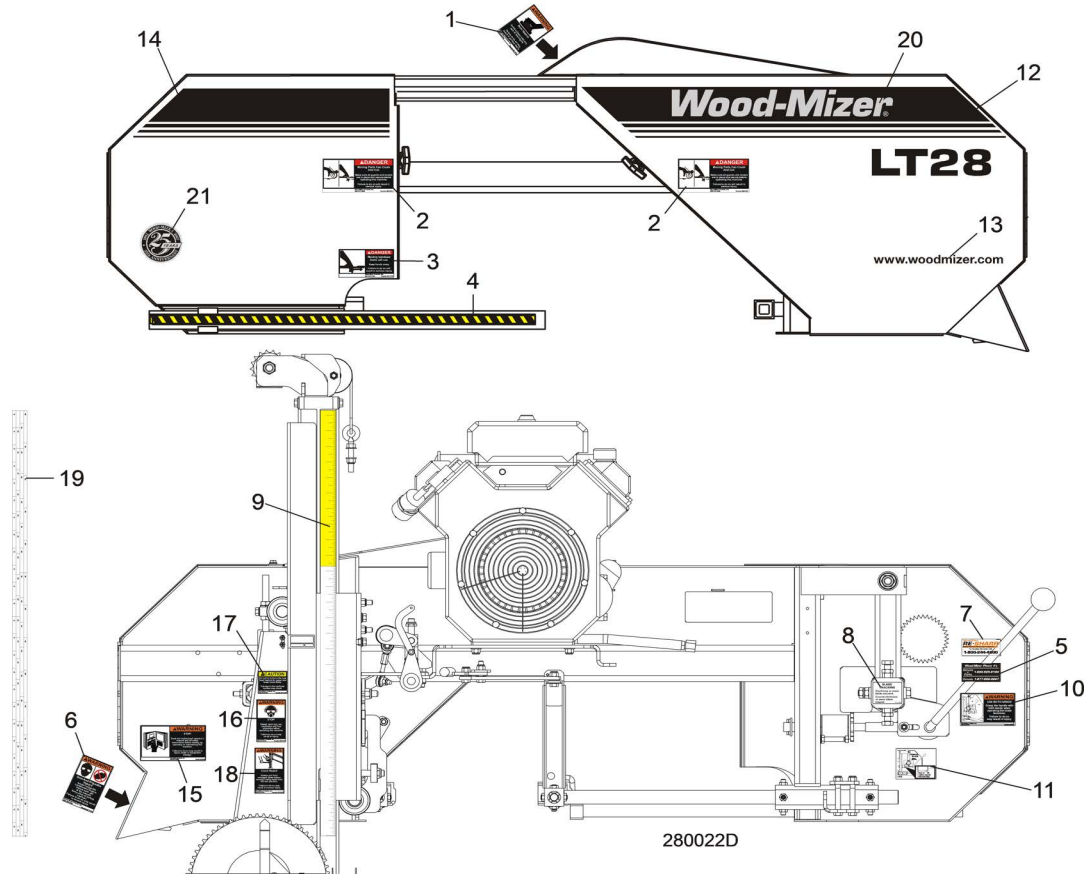
LT28 Rev. A6.00 - A6.01



REF	PART #	DESCRIPTION	COMMENTS	QTY.
1	014419	DECAL, HOT ENGINE WARNING		1
2	033254	DECAL, MOVING PARTS DANGER		2
3	S11752	DECAL, BLADE DANGER W/ARROW		1
4	015849	DECAL, BLADE GUIDE ARM STRIPE		1
5	S12117	DECAL, TOLL FREE PARTS		1
6	P11754	DECAL, SAWDUST CHUTE WARNING		1
7	P12879	DECAL, TRUSHARP INFO		1
8	P11789	DECAL, BLADE TRACK INFO		1
9	S11773	DECAL, INCH SCALE		1
10	049367	DECAL, TENSIONER WARNING		1
11	049368	DECAL, BLADE TENSION INFO		1
12	003242	DECAL, LT28 LOGO W/STRIPES		1
13	003235	DECAL, WOOD-MIZER WEBSITE		1
14	003241	DECAL, LT28 IDLE SIDE		1
15	016402	DECAL, READ MANUAL WARNING		1
16	S11753	DECAL, EYE/EAR PROTECTION WARNING		1
17	S11762	DECAL, UP/DOWN CAUTION		1
18	015400	DECAL, FRONT OUTRIGGER WARNING		1
19	016275	DECAL, MAGNETIC QUARTER SCALE		1

4.6 Saw Head Decals (2007-2007)

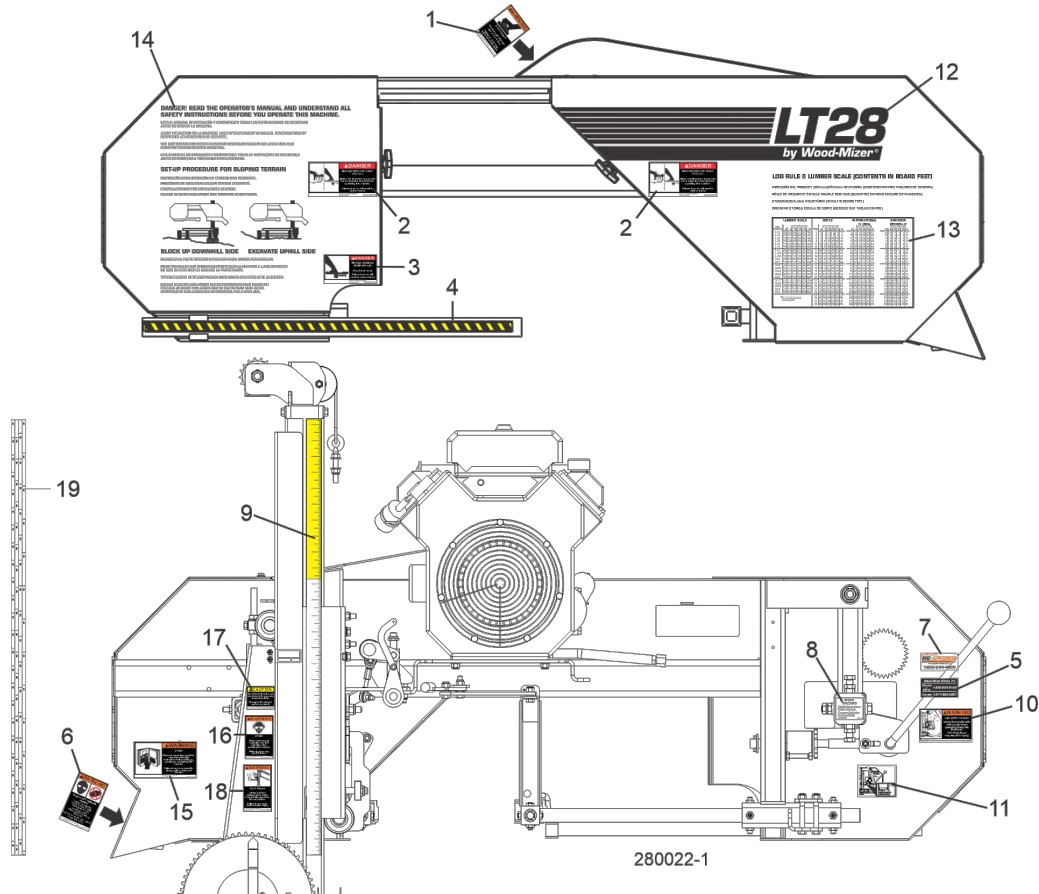
LT28 Rev. A4.00 (1/07) - A5.00 (12/07)



REF	PART #	DESCRIPTION	COMMENTS	QTY.
1	014419	DECAL, HOT ENGINE WARNING		1
2	033254	DECAL, MOVING PARTS DANGER		2
3	S11752	DECAL, BLADE DANGER W/ARROW		1
4	015849	DECAL, BLADE GUIDE ARM STRIPE		1
5	S12117	DECAL, TOLL FREE PARTS		1
6	P11754	DECAL, SAWDUST CHUTE WARNING		1
7	P12879	DECAL, TRUSHARP INFO		1
8	P11789	DECAL, BLADE TRACK INFO		1
9	S11773	DECAL, INCH SCALE		1
10	049367	DECAL, TENSIONER WARNING		1
11	049368	DECAL, BLADE TENSION INFO		1
12	003242	DECAL, LT28 LOGO W/STRIPES	Log Scale Decal 016283, Setup Decal 051527 and replaced with these decals 1/07	1
13	003235	DECAL, WOOD-MIZER WEBSITE		1
14	003241	DECAL, LT28 IDLE SIDE		1
15	016402	DECAL, READ MANUAL WARNING		1
16	S11753	DECAL, EYE/EAR PROTECTION WARNING		1
17	S11762	DECAL, UP/DOWN CAUTION		1
18	015400	DECAL, FRONT OUTRIGGER WARNING		1
19	016275	DECAL, MAGNETIC QUARTER SCALE		1
20	003234	DECAL, SILVER WOOD-MIZER LOGO	Added 1/07	1
21	003236	DECAL, ANNIVERSARY LOGO	Added 1/07	1

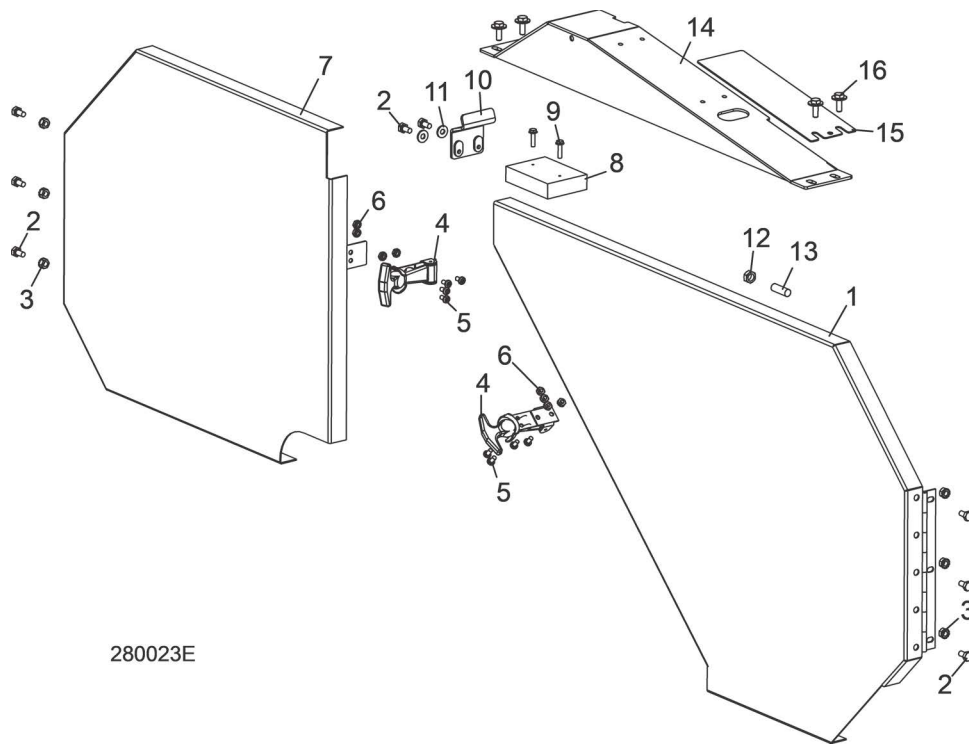
4.7 Saw Head Decals (2005-2006)

LT 28 Rev. A1.00 - A4.00 (12/06)



REF	PART #	DESCRIPTION	COMMENTS	QTY.
1	014419	DECAL, HOT ENGINE WARNING		1
2	033254	DECAL, MOVING PARTS DANGER		2
3	S11752	DECAL, BLADE DANGER W/ARROW		1
4	015849	DECAL, BLADE GUIDE ARM STRIPE		1
5	S12117	DECAL, TOLL FREE PARTS		1
6	P11754	DECAL, SAWDUST CHUTE WARNING		1
7	P12879	DECAL, TRUSHARP INFO		1
8	P11789	DECAL, BLADE TRACK INFO		1
9	S11773	DECAL, INCH SCALE		1
10	049367	DECAL, TENSIONER WARNING		1
11	049368	DECAL, BLADE TENSION INFO		1
12	038443	DECAL, LT28 LOGO		1
13	016283	DECAL, LOG SCALE		1
14	051527	DECAL, LT28 IDLE SIDE		1
15	016402	DECAL, READ MANUAL WARNING		1
16	S11753	DECAL, EYE/EAR PROTECTION WARNING		1
17	S11762	DECAL, UP/DOWN CAUTION		1
18	015400	DECAL, FRONT OUTRIGGER WARNING		1
19	016275	DECAL, MAGNETIC QUARTER SCALE		1

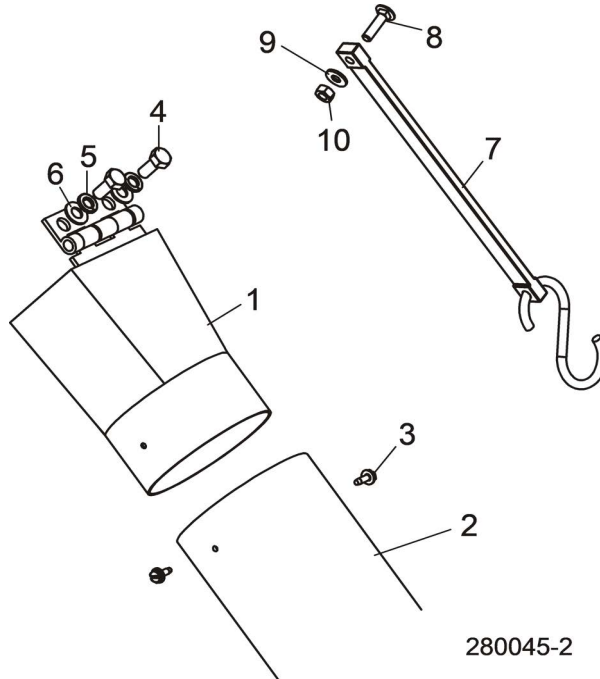
4.8 Blade Housing Covers



280023E

REF	PART #	DESCRIPTION	COMMENTS	QTY.
1	038480	COVER, LT28 DRIVE SIDE BLADE HOUSING (INCLUDES COVER DECALS)	(See Section 4.4)	1
2	F05005-15	BOLT, 1/4-20 X 1/2" HEX HEAD		8
3	F05010-9	NUT, 1/4-20 KEPS		6
4	014829	LATCH, FLEXIBLE DRAW		2
5	F05004-3	SCREW, #10-24 X 3/8" CROSS SLOTTED ROUND HEAD		8
6	F05010-14	NUT, #10-24 SELF-LOCKING HEX		8
7	038481	COVER, LT28 IDLE SIDE BLADE HOUSING (INCLUDES COVER DECALS)	(See Section 4.4)	1
8	015844	BLOCK, BLADE VIBRATION DAMPENING		1
9	F05015-33	BOLT, #10 X 3/4" SLOTTED HEX WASHER HEAD		2
10	074394	BRACKET WELDMENT, LT15 BELT ENHANCE		1
11	F05011-11	WASHER, 1/4" SAE FLAT		2
12	F05010-29	NUT, 3/8-16 JAM		1
13	F05007-18	SCREW, 3/8-16 X 1 1/4 SHOP SET		1
	038633	COVER ASSEMBLY, TOP ENGINE PULLEY		1
14	074574	Cover Weldment, LT 15/28 Top Belt Cover		1
15	074546	Plate, Belt Guard Cover		1
16	F05005-134	Bolt, 1/4-20 x 3/4" Hex Head w/Conical Washer		4

4.9 Sawdust Chute

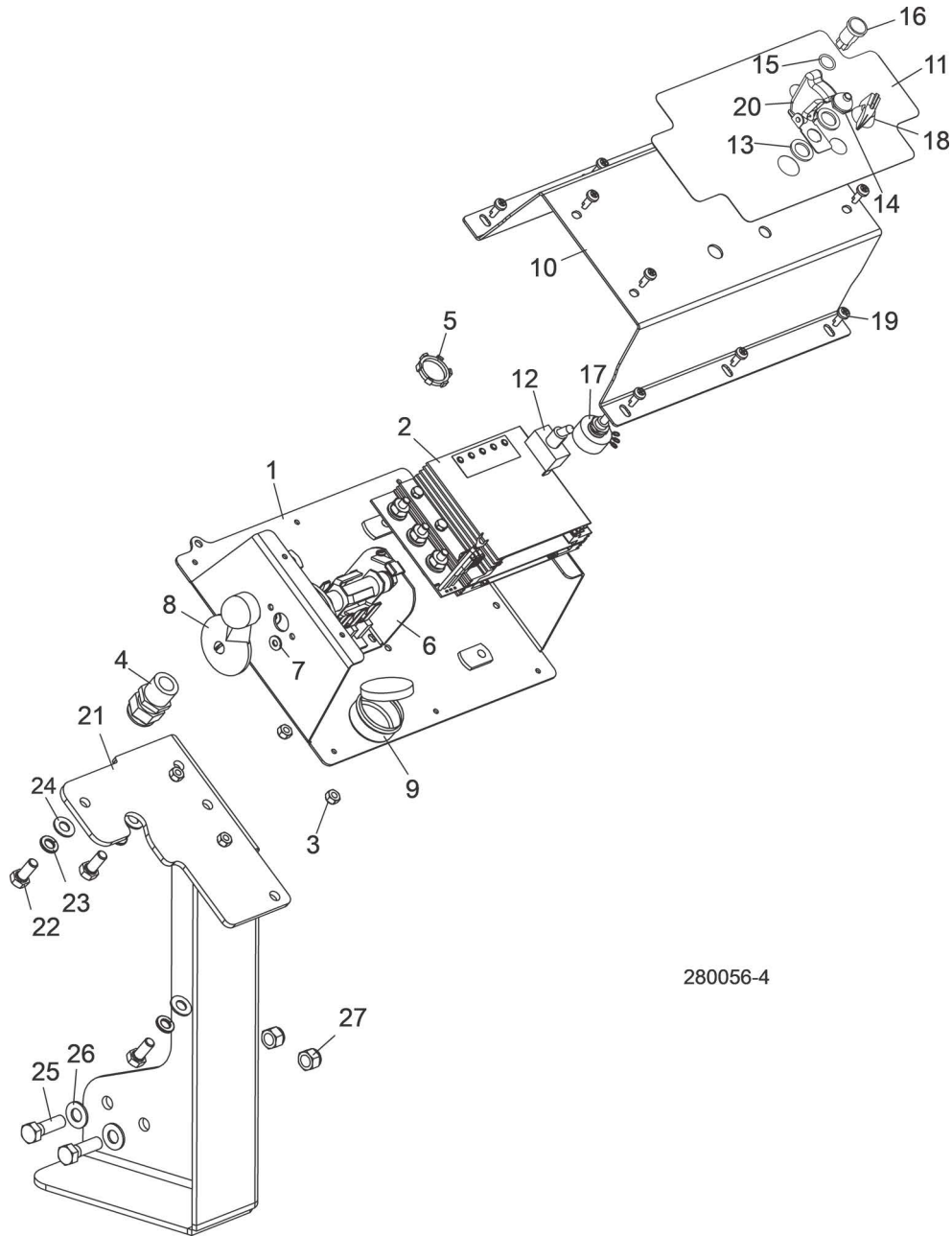


REF	PART #	DESCRIPTION	COMMENTS	QTY.
1-6	038747	CHUTE ASSEMBLY, LT28 SAWDUST		1
1	038746	Chute Wldmt, LT28 Sawdust		1
2	016727	Chute, Rubber Sawdust		1
3	F05015-7	Bolt, #10-24x1/2 Self Tap		2
4	F05006-5	Bolt, 5/16-18x3/4 HHC		2
5	F05011-13	Washer, 5/16 Split Lock		2
6	F05011-17	Washer, 5/16 SAE Flat		2
7	012965	STRAP, 9IN RUBBER WITH HOOKS		1
8	F05005-34	BOLT, 1/4-20X1 CARRIAGE		1
9	F05011-11	WASHER, 1/4 SAE FLAT		1
10	F05010-21	NUT, 1/4-20 SWAGED		1

SECTION 5 CONTROL & BATTERY BOXES

5.1 Control Assembly (Optional)(2017-Present)

LT28 Rev. A6.15-Present



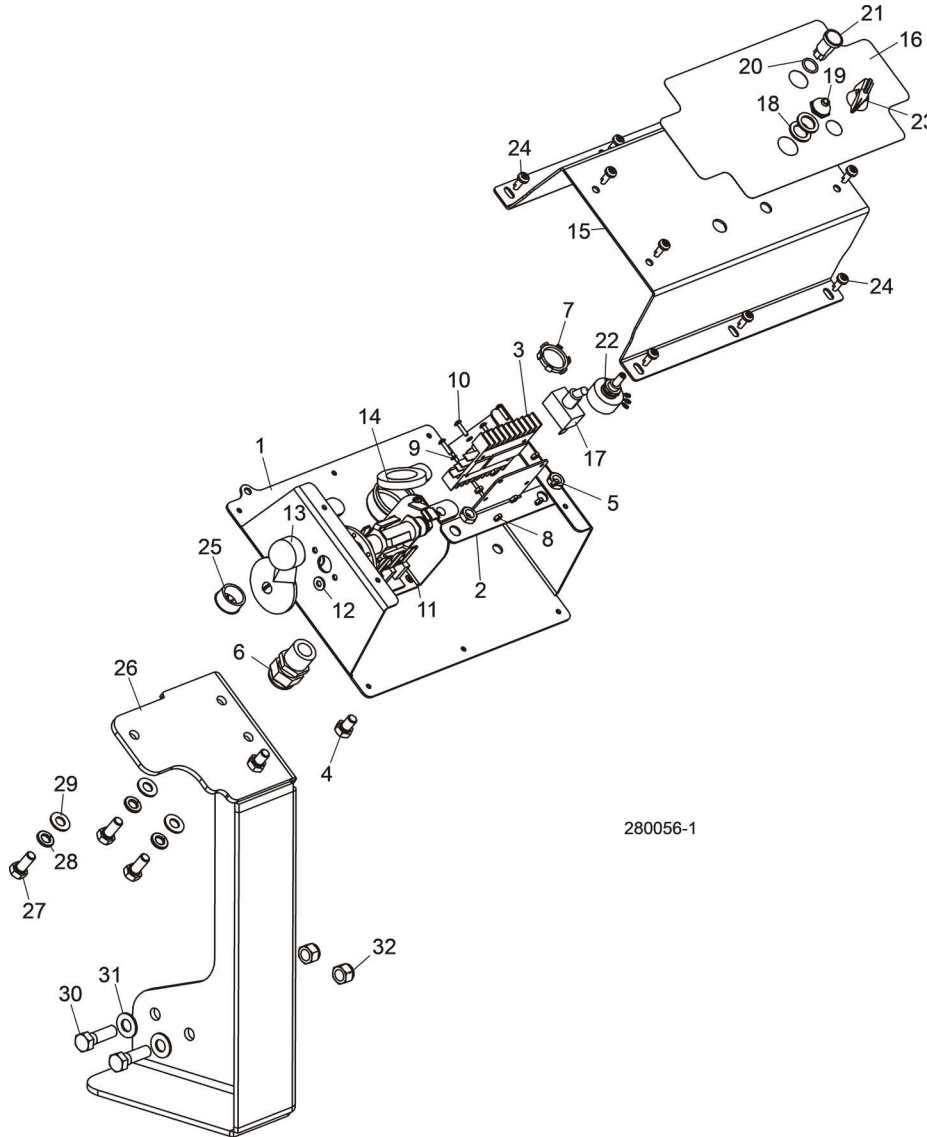
280056-4

REF	PART #	DESCRIPTION	COMMENTS	QTY.
	110007	CONTROL ASSEMBLY, 2017 LT28 POWER FEED		1
1	110006	Weldment, 2017 LT15/28 PF Control Bottom		1
2	073547	Control Module, Power Feed with Heatsink		1
3	F05010-160	Nut, 10-24 Hex Nylock		4
4	051299	Connector, 1/2" NPT .17-.47"		1
5	E20461	Nut, 1/2" NPT Connector Lock		1
6	E20439	Switch, Power Feed Drum		1
7	F05011-41	Washer, #8 SAE Flat		2

REF	PART #	DESCRIPTION	COMMENTS	QTY.
8	P12500	Handle, Drum Switch		1
9	A20463	Grease Cup, Drum Switch		1
10	110005	Plate, 2017 LT15/28 PF Control Top		1
11	059386	Decal, LT28 Feed Control 2010		1
12	053695	Switch, SPST 25A Toggle		1
13	P05251-1	Washer, 1/2" x 3/4" x 1/16" Nylon		2
14	P02575	Boot, Toggle Switch		1
15	050369	O-Ring, 3/8" Neoprene		1
16	E20483	Light, Green 12V .187 Tabs		1
17	A07793	Pot Assembly, Feed Rate Control		1
18	P06257	Knob, Speed Control		1
19	F05015-17	Screw, #10-24 x 1/2" Philips Pan Head Type 23		10
20	114034	Cover, Toggle Safety Switch - Orange	Added after 7/6/2020.	1
	052164	Fuseholder, ATO 12AWG Radial Leads		1
	024150-40	Fuse, 40A ATO Blade Orange		1
21	059595	PLATE, POWER FEED CONTROL MOUNT		1
22	F05006-5	BOLT, 5/16-18 X 3/4" HEX HEAD		3
23	F05011-13	WASHER, 5/16" SPLIT LOCK		3
24	F05011-17	WASHER, 5/16" SAE FLAT		3
25	F05007-123	BOLT, 3/8-16 X 1 1/4" HEX HEAD GRADE 5		2
26	F05011-3	WASHER, 3/8" SAE FLAT		2
27	F05010-10	NUT, 3/8-16 HEX NYLON LOCK		2

5.2 Control Assembly (Optional)(2010-2017)

LT28 Rev. A6.02 - A6.14

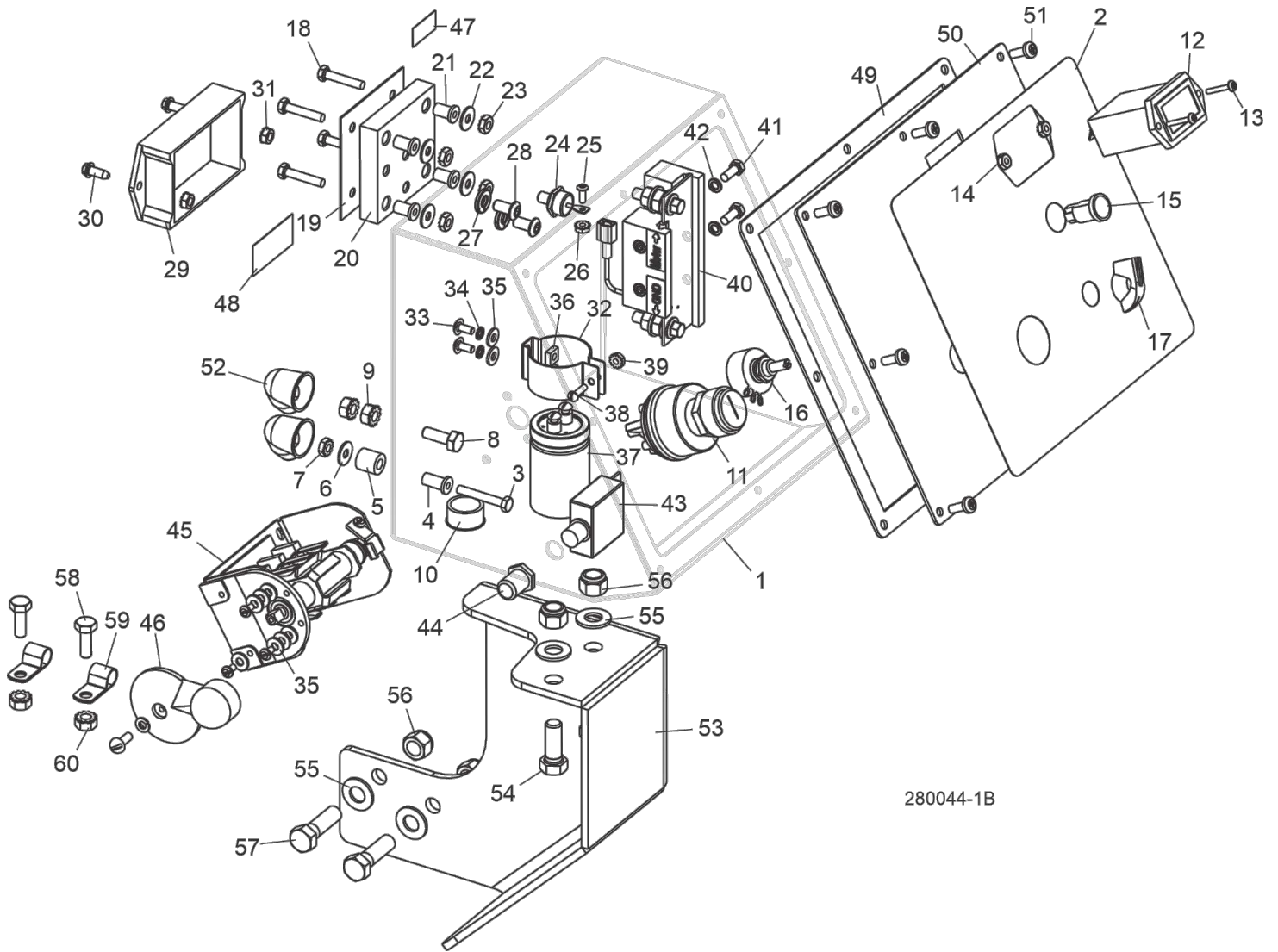


REF	PART #	DESCRIPTION	COMMENTS	QTY.
	059620	CONTROL ASSEMBLY, LT28 POWER FEED		1
1	008954	Plate Weldment, Power Feed Control Bottom		1
2	056993	Bracket, Module Mount		1
	057829-FR	Driver Kit, 25A DC Motor Field Replacement		1
3	057829-1	Driver, 25A DC Motor	Available in assemblies only.	1
4	F05006-15	Bolt, 5/16-18 x 1/2" Hex Head Grade 5		2
5	F05010-121	Nut, 5/16-18 Hex Nylon Lock Jam		2
6	051299	Connector, 1/2" NPT .17-.47"		1
7	E20461	Nut, 1/2" NPT Connector Lock		1
8	F05010-43	Nut, #4-40 Hex		8
9	F05011-21	Washer, #4 Split Lock		4
10	F05004-14	Screw, #4-40 x 1/2" Slotted Round head		4
11	E20439	Switch, Power Feed Drum		1

REF	PART #	DESCRIPTION	COMMENTS	QTY.
12	F05011-41	Washer, #8 SAE Flat		2
13	P12500	Handle, Drum Switch		1
14	A20463	Grease Cup, Drum Switch		1
15	056950	Plate, Control Cover		1
16	059386	Decal, LT28 Feed Control 2010		1
17	053695	Switch, SPST 25A Toggle		1
18	P05251-1	Washer, 1/2" x 3/4" x 1/16" Nylon		2
19	P02575	Boot, Toggle Switch		1
20	050369	O-Ring, 3/8" Neoprene		1
21	E20483	Light, Green 12V .187 Tabs		1
22	A07793	Pot Assembly, Feed Rate Control		1
23	P06257	Knob, Speed Control		1
24	F05015-17	Screw, #10-24 x 1/2" Philips Pan Head Type 23		10
25	P04137	Grommet, 5/8" Wire		1
	052164	Fuseholder, ATO 12AWG Radial Leads		1
	024150-40	Fuse, 40A ATO Blade Orange		1
	053200	Resistor Assembly 1K w/6" Yellow Wires		2
26	059595	PLATE, POWER FEED CONTROL MOUNT		1
27	F05006-5	BOLT, 5/16-18 X 3/4" HEX HEAD		3
28	F05011-13	WASHER, 5/16" SPLIT LOCK		3
29	F05011-17	WASHER, 5/16" SAE FLAT		3
30	F05007-123	BOLT, 3/8-16 X 1 1/4" HEX HEAD GRADE 5		2
31	F05011-3	WASHER, 3/8" SAE FLAT		2
32	F05010-10	NUT, 3/8-16 HEX NYLON LOCK		2

5.3 Control Assembly (Optional)(2005- 2010)

LT28 Rev. A1.00- A6.01



280044-1B

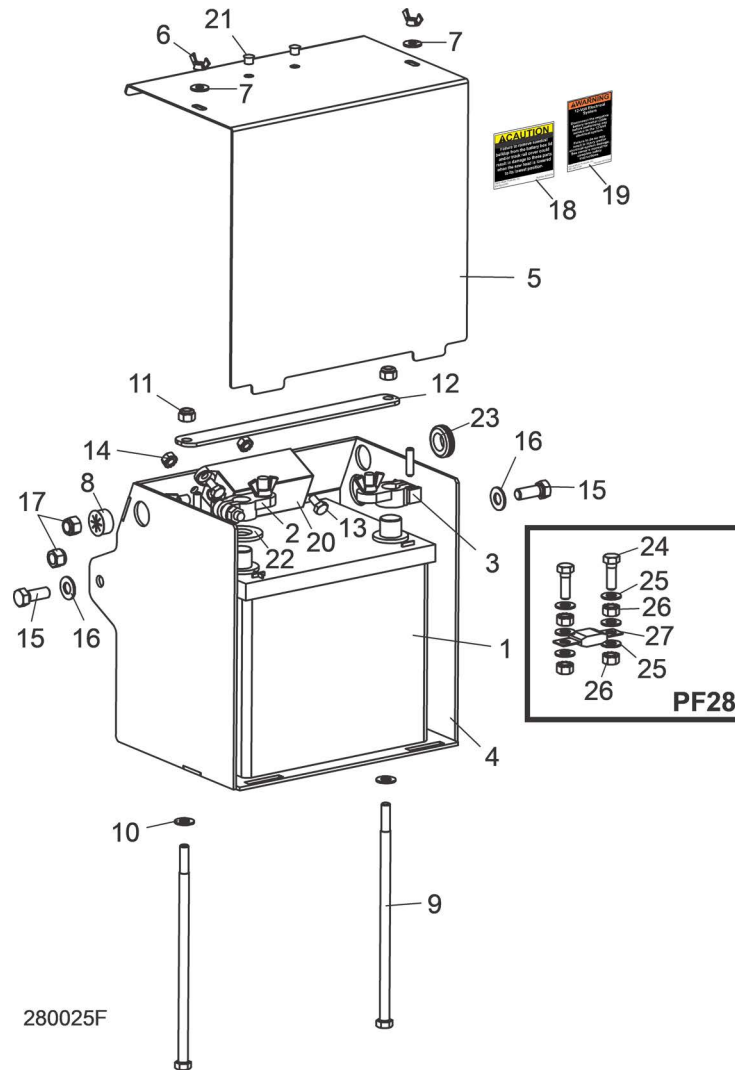
REF	PART #	DESCRIPTION	COMMENTS	QTY.
	015764	COVER, SAWMILL CONTROL CONSOLE		1
	049142	OPERATOR ASSEMBLY, LT28 POWER FEED		1
1	056946	Box Weldment, LT28 Control	Replaced 056946 as of 4/08.	1
2	049099	Decal, LT28 Operator Box		1
	A12950	Terminal Kit, Power Feed Service		1
3	F05004-19	Screw, #10-24 x 1 1/4" Hex Head Machine		1
4	P07769	Bushing, Shoulder		1
5	P05694	Spacer, Insulating		1
6	F05011-18	Screw, 10-24 x 3/8" Phillips Pan Head Machine		1
7	F05010-14	Nut, #10-24 Keps		1

REF	PART #	DESCRIPTION	COMMENTS	QTY.
8	F05005-1	Bolt, 1/4-20 x 3/4" Hex Head Full Thread		1
9	F05010-9	Nut, 1/4-20 Self-Locking Hex		2
10	P04137	Grommet, 5/8" Wire		1
11	P04350	Switch, Key		1
12	015401	Meter, Hour Rectangle Mount		1
13	F05004-93	Screw, #6-32 x 3/4" Socket Button Head		2
14	F05010-59	Nut, #6-32 Self-Locking Hex		2
15	E20483	Light, Green 12V .187 Tabs		1
16	052732	Pot Assy, LT28 Feed Rate Control	Replaced A07793 as of 3/06.	1
17	P06257	Knob, Speed Control		1
18	F05004-156	Bolt, #10-24 x 1" Unslotted Hex Head		4
19	024403	Pad, Diode Block Insulating		1
20	024404	Block, Diode Heat Sink		1
21	024409	Insulator, Nylon Screw #10 1/2"		4
22	F05011-18	Washer, #10 SAE Flat		4
23	F05010-14	Nut, #10-24 Self-Locking Hex		4
24	052363	Diode Assembly, 96+ Power Feed Replacement		1
25	F05004-65	Screw, #6-32 x 3/8" Socket Button Head		1
26	F05010-59	Nut, #6-32 Self-Locking Hex		1
27	F05011-14	Washer, 1/4" Split Lock		2
28	F05005-112	Screw, 1/4-20 x 1/2" Stainless Socket Button Head		2
29	024396-1	Control Module, Power Feed SMT		1
30	F05015-18	Bolt, #8-32 x 1/2" Slotted Hex Head		2
31	F05010-41	Nut, #8-32 Self-Locking Hex		2
32	024410	Clamp, Capacitor Metal 1-3/8 Cylindrical		1
33	F05004-157	Screw, #8-32x3/8 Round Head Grade 5 Machine		2
34	F05011-84	Washer, #8 Split Lock		2
35	F05011-41	Washer, #8 SAE Flat		9
36	F05010-153	Nut, #8-32 Square		2
37	052365	Capacitor Assy, Pre-'96 PF Filter		1
38	F05015-24	Screw, #6-32 x 1/2" Slotted Round Head		1
39	F05010-59	Nut, #6-32 Self-Locking Hex		1
40	024540	Module Assembly, Mosfet 4x 92-96 P/F		1
41	F05011-20	Washer, #10 Split Lock		2
42	F05004-27	Screw, 10-24 x 1/2" Hex Head SS Machine		2
43	024246	Breaker, 30A Manual Reset Panel Mount		1
44	021253	Boot, Circuit Breaker		1
	E20439	Switch Assembly, Power Feed Drum		1
	P12570	Spring, Drum Switch		1
45	E20439-B	Switch, S11 Bulk Drum		1
46	P12500	Handle, Drum Switch with Screw		1
47	024443	Decal, Power Feed +12V		1
48	024432	Decal, Power Feed Control		1
49	006353	Gasket, 8 1/4" x 9 1/8" Control Panel	Replaced 006353 as of 4/08.	1
50	056947	Plate, Power Feed Control Front	Replaced 056947 as of 4/08.	1

5 **Control & Battery Boxes**
Control Assembly (Optional)(2005- 2010)

REF	PART #	DESCRIPTION	COMMENTS	QTY.
51	F05015-17	Screw, #10-24 x 1/2" Phillips Pan Head		8
52	P03807	BOOT, 1/2" RUBBER TERMINAL		2
53	049131	PLATE, CONTROL BOX MOUNT		1
54	F05007-87	BOLT, 3/8-16 X 1" HEX HEAD GRADE 5		2
55	F05011-3	WASHER, 3/8 FLAT SAE		4
56	F05010-10	NUT, 3/8-16 HEX NYLON LOCK		4
57	F05007-123	BOLT, 3/8-16X 1 1/4 HEX HEAD GRADE 5		2
58	F05005-1	BOLT, 1/4-20 X 3/4" HEX HEAD FULL THREAD		2
59	050201	CABLE CLAMP, .375 COATED 1/4" MO		2
60	F05010-9	NUT, 1/4-20 SELF-LOCKING HEX		2

5.4 Battery Box Assembly



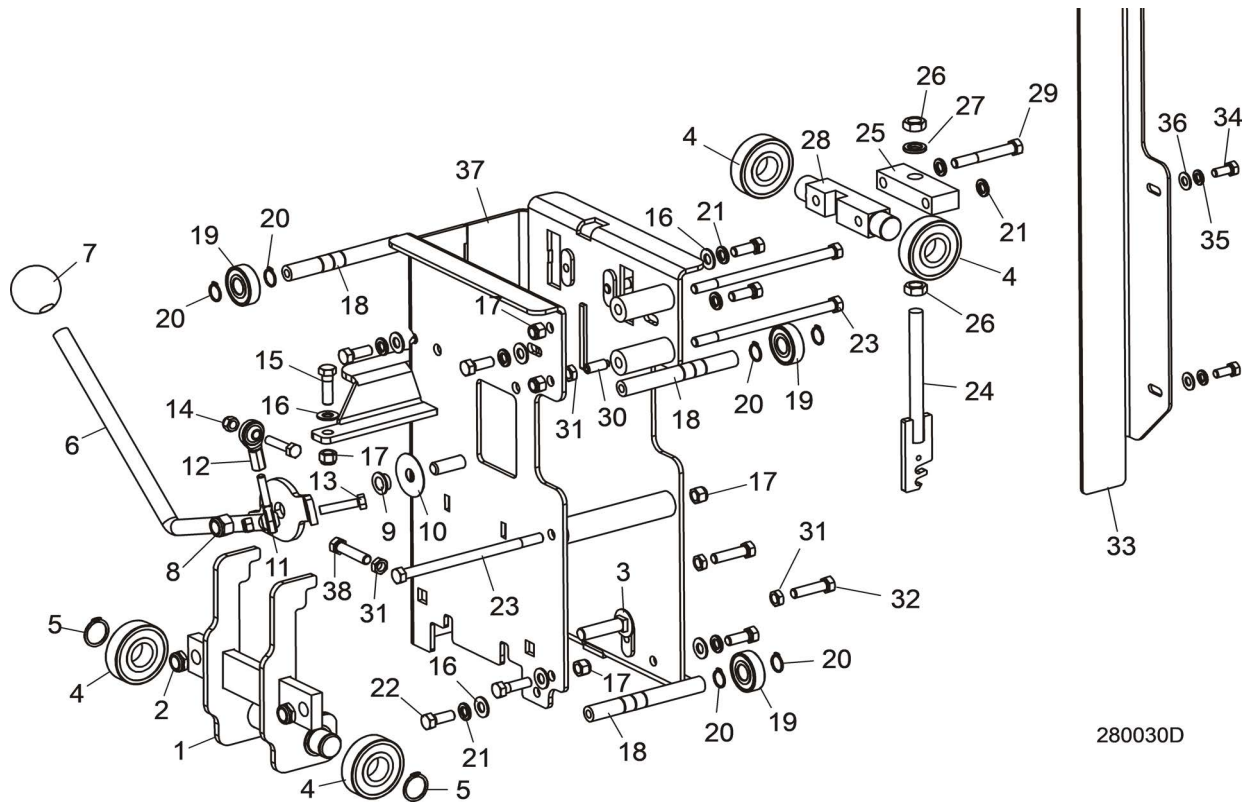
REF	PART #	DESCRIPTION	COMMENTS	QTY.
	049124	BATTERY BOX ASSEMBLY, LT28		1
1	028004	Battery, Deka 12V 526MF 540CCA 665CA		1
2	033358	Terminal, Positive Battery		1
3	033359	Terminal, Negative Battery		1
4	049125	Box Weldment, LT28 Battery		1
5	049130	Cover, LT28 Battery		1
6	F05010-13	Nut, 1/4-20 Wing		2
7	F05011-11	Washer, 1/4" SAE Flat		2
8	P04137	Grommet, 5/8 Wire		1
9	F05006-121	Bolt, 5/16-18 x 8" Hex Head Grade 5		2
10	F05011-17	Washer, 5/16" SAE Flat		2
11	F05010-58	Nut, 5/16-18 Nylon Lock		2
12	049129	Strap, LT28 Battery		1
13	F05005-15	Bolt, 1/4-20 x 1/2" Hex Head		2
14	F05010-9	Nut, 1/4-20 Keps		2
15	F05007-87	Bolt, 3/8-16 x 1" Hex Head Grade 5		2
16	F05011-3	Washer, 3/8" SAE Flat		2

5 Control & Battery Boxes
Battery Box Assembly

REF	PART #	DESCRIPTION	COMMENTS	QTY.
17	F05010-10	Nut, 3/8-16 Hex Nylon Lock		2
18	014774	Decal, Battery Box Lid Caution		1
19	P10364	Decal, 12V Warning		1
20	052372	Fuseholder Assembly, Mega Fuse 150A		1
	052370-150	Fuse, 150A Mega		1
	052368	Harness Assembly, LT28 Battery to Engine		1
21	007445	Plug, 5/16" Plastic Hole	Spare fuse for sawmill equipped with optional PF28 power feed. Plug 007445 used to plug spare fuse mounting holes for sawmill not equipped with power feed.	2
22	P12161	Washer, Felt Battery Terminal		1
23	P11764	Grommet, 5/8" ID Rubber		1
24	F05006-1	BOLT, 5/16-18 X 1" HEX HEAD		2
25	F05011-17	WASHER, 5/16" SAE FLAT		6
26	F05010-20	NUT, 5/16-18 SELF-LOCKING HEX		4
27	052370-150	FUSE, 150A MEGA	Spare fuse for sawmill equipped with optional PF28 power feed. Plug 007445 used to plug spare fuse mounting holes for sawmill not equipped with power feed.	1

SECTION 6 UP/DOWN SYSTEM

6.1 Saw Head Mount



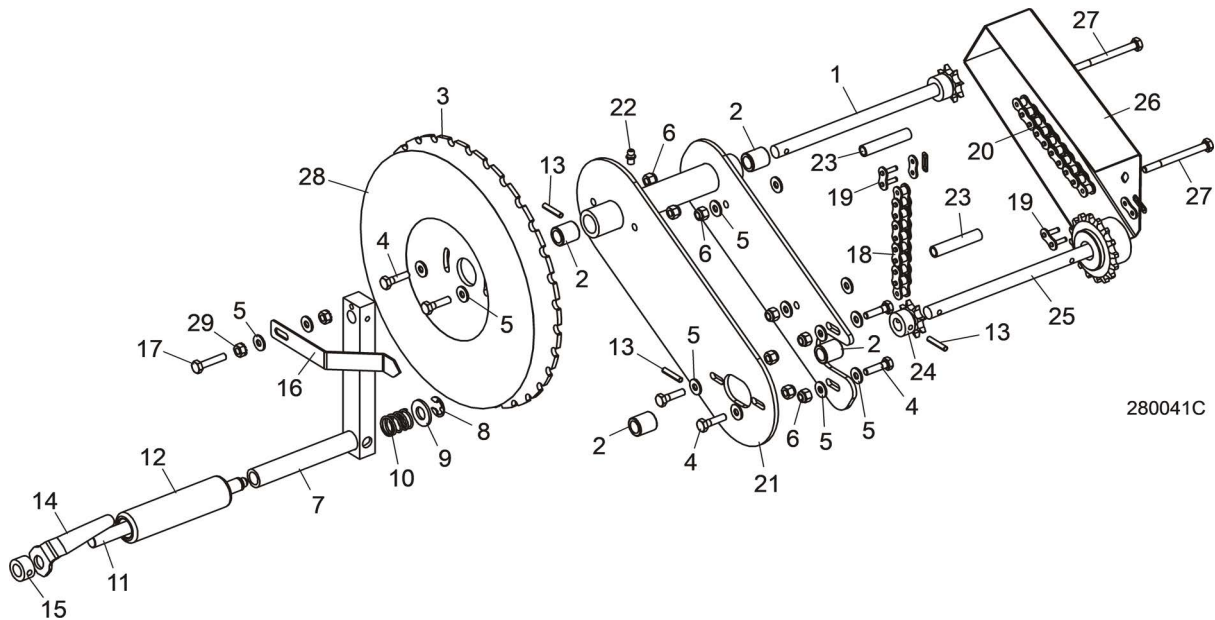
280030D

REF	PART #	DESCRIPTION	COMMENTS	QTY.
	048555	BOX ASSEMBLY, LT28 MAST		1
1	048562	Adjustment Weldment, Head LT28		1
2	F05010-127	Nut, 1/2-13 Half Nylon Lock		2
3	F05008-132	Bolt, 1/2-13x2 Carriage		2
4	P08066	Bearing, .9843" x 2.4409" x .6693"		4
5	F04254-26	Ring, 25mm 5100-98 OR		1
6	003327	Plate, Clutch Handle		1
7	P04211	Knob, 5/8-18 Ball		1
8	F05010-8	Nut, 1/2-13 Nylon Hex Lock		1
9	P08060	Bearing, SF1260-6 Bronze		1
10	014972	Washer, 33/64 x 1 3/4 x 1/32 Nylon		1
11	P09814	Rod, 5/16-24 Male End		1
12	P09813	Rod, 5/16-24 Female End		1
13	F05008-96	Bolt, 5/16-18 x 1 1/2" Hex Head		2
14	F05010-58	Nut, 5/16-18 Nylon Lock		2
15	F05007-123	Bolt, 3/8-16 x 1 1/4" Hex Head Grade 5		1
16	F05011-3	Washer, 3/8" SAE Flat		7
17	F05010-10	Nut, 3/8-16 Hex Nylon Lock		5
18	048559	Shaft, Bearing Mount		3
19	P06030-1	Bearing, 5/8" x 1.7548" x .4724"		3
20	F04254-2	Ring, 5/8" OR 5100-62		6
21	F05011-4	Washer, 3/8" Split Lock		8

REF	PART #	DESCRIPTION	COMMENTS	QTY.
22	F05007-87	Bolt, 3/8-16 x 1" Hex Head Grade 5		6
23	F05007-205	Bolt, 3/8-16 X 6 1/2" Hex Head Grade 5		3
24	015721	Tensioner Weldment, Power Feed Chain		1
25	048571	Block, Chain Tensioner Mount		1
26	F05010-16	Nut, 1/2-20 Hex Jam		2
27	F05011-9	Washer, 1/2" Split Lock		1
28	048560	Shaft, Fixed Mount		1
29	F05007-206	Bolt, 3/8-16 x 2 3/4" Hex Head Grade 5		2
30	F05007-88	Screw, 3/8-16x1 Scoket Head Set Brass Tip		2
31	F05010-29	Nut, 3/8-16 Jam		2
32	F05007-17	Bolt, 3/8-16 x 1 1/2" Hex Head Full Thread		2
33	049133	Plate, Scale Mount		1
34	F05006-102	Bolt, 5/16-18 x 3/4" Hex Head		2
35	F05011-13	Washer, 5/16" Split Lock		2
36	F05011-17	Washer, 5/16" SAE Flat		2
37	048556	Box Weldment, LT28 Mast		1
38	F05007-19	Bolt, 3/8-16 x 1 3/4" Hex Head Full Thread		1

6.2 Manual Crank Assembly (2007 - Present)

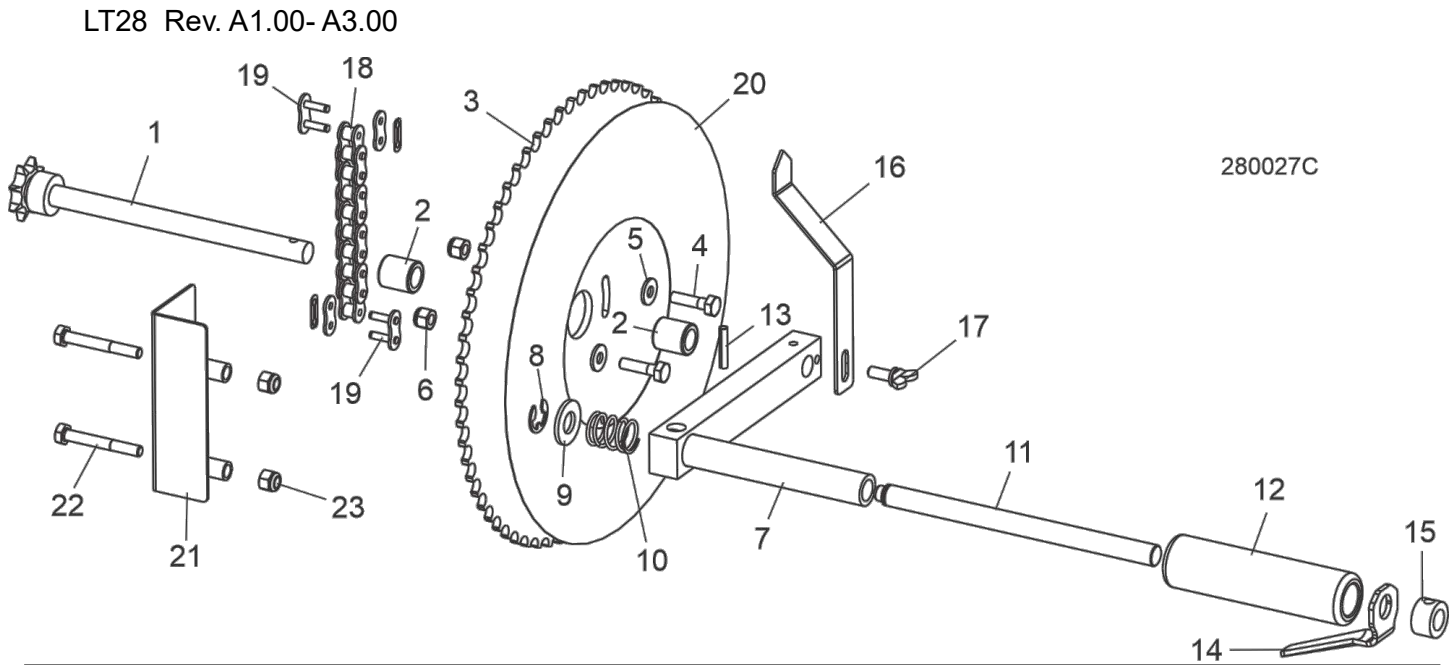
LT28 Rev. A4.00-Present



REF	PART #	DESCRIPTION	COMMENTS	QTY.
	054606	UP/DOWN ASSEMBLY, LT28 REDUCER	All models	1
1	054604	Shaft Weldment, LT28 Up/Down Reduced		1
2	049331	Bearing, Needle 1/2" x 3/4" Single Seal		4
3	054609	Plate, Up/Down Lock		1
4	F05005-101	Bolt, 1/4-20 x 1" Hex Head Grade 5		6
5	F05011-11	Washer, 1/4" SAE Flat		8
6	F05010-69	Nut, 1/4-20 Hex Nylon Lock		8
	038751	Handle Kit, LT28 Retro		1
7	049333	Handle Weldment, Up/Down LT28		1
8	P10649	Ring, 1/2" E-Clip Retaining		1
9	F05011-2	Washer, 1/2" SAE Flat		1
10	038457	Spring, .72" OD x .065" WD x 1.00"		1
11	049335	Shaft, Up/Down Handle		1
12	049336	Handle, 25/32 x 1 1/4 x 4 3/4 Plastic		1
13	F05012-11	Pin, 3/16" x 1" Roll		4
14	046867	Plate, Handle Lock Release		1
15	014820	Collar, Lock 1/2" ID x 7/8" OD		1
16	048598	Plate, Pointer Up/Down		1
17	F05005-3	Bolt, 1/4-20 x 1 1/4" Hex Head Full Thread Cap		1
18	038476	Chain, #40 x 88 1/2" Up/Down		1
19	P04200	Link, #40 Master		2
20	038599	Chain, #40 x 22" Reduction		1
21	054602	Extension Weldment, LT28 Up/Down Reducer		1
22	P05060	Fitting, 1/4-28 Grease		1
23	054612	Tube, Chain Guard		2
24	038598	Sprocket, 40B x .50" Modified		1

REF	PART #	DESCRIPTION	COMMENTS	QTY.
25	054600	Shaft Weldment, Up/Down 16T		1
26	054611	Cover, Up/Down Reducer Chain		1
27	F05005-127	Bolt, 1/4-20 x 3" Hex Head Grade 5		2
28	054588	Decal, Gear Reduced Blade Height		1
29	F05010-9	Nut, 1/4-20 Keps		2

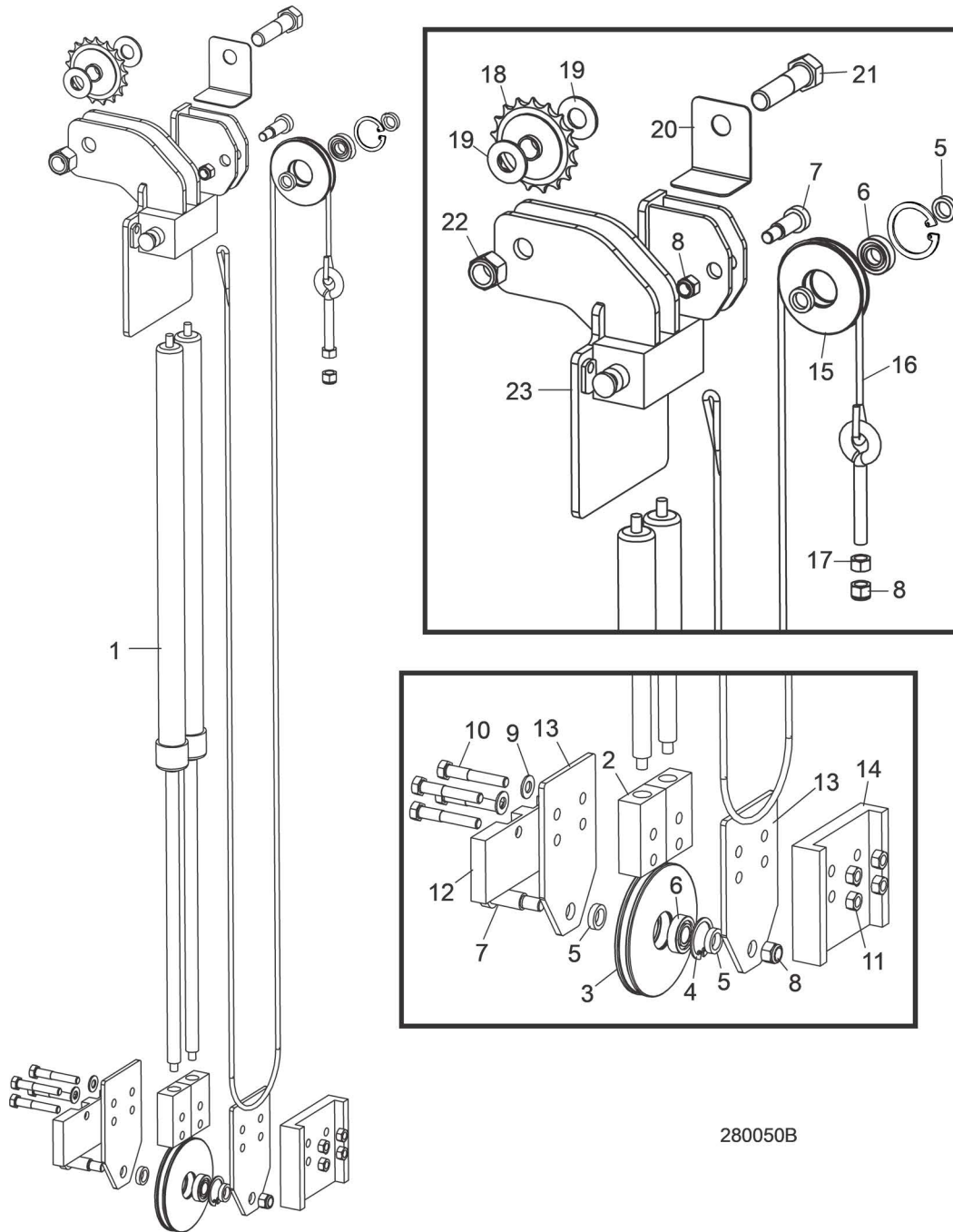
6.3 Manual Crank Assembly (2005-2006)



REF	PART #	DESCRIPTION	COMMENTS	QTY.
	048565	UP/DOWN ASSEMBLY, LT28	(G18 & G25 ONLY)	1
1	048566	Shaft Weldment, LT28 Up/Down		1
2	049331	Bearing, Needle 1/2" x 3/4" Single Seal		2
3	046617	Plate, Up/Down Lock		1
4	F05005-101	Bolt, 1/4-20 x 1" Hex Head Grade 5		2
5	F05011-11	Washer, 1/4" SAE Flat		2
6	F05010-69	Nut, 1/4-20 Hex Nylon Lock		2
	038751	Handle Kit, LT28 Retro	Handle Retro Kit 038751 available for revisions prior to A2.01	1
7	049333	Handle Weldment, Up/Down LT28		1
8	P10649	Ring, 1/2" E-Clip Retaining		1
9	F05011-2	Washer, 1/2" SAE Flat		1
10	038457	Spring, .72" OD x .065" WD x 1.00"		1
11	049335	Shaft, Up/Down Handle		1
12	049336	Handle, 25/32 x 1 1/4 x 4 3/4 Plastic		1
13	F05012-11	Pin, 3/16" x 1" Roll		1
14	046867	Plate, Handle Lock Release		1
15	014820	Collar, 1/2" Shaft	Replaced P22315 as of 5/04	1
16	048598	Plate, Pointer Up/Down		1
17	F05005-64	Stud, 1/4-20 x 5/8 Wing		1
18	038476	Chain, #40 x 88 1/2" Up/Down		1
19	P04200	Link, #40 Master		2
20	047699	Decal, LT15 Round Blade Height		1
21	049338	Cover Weldment, Up/Down Chain		1
22	F05005-125	Bolt, 1/4-20 X 2" Hex Head Grade 5		2
23	F05010-69	Nut, 1/4-20 Nylon Lock		2

6.4 Up/Down Assist Assembly (2006-Present)

LT28 Rev. A4.00 - Present



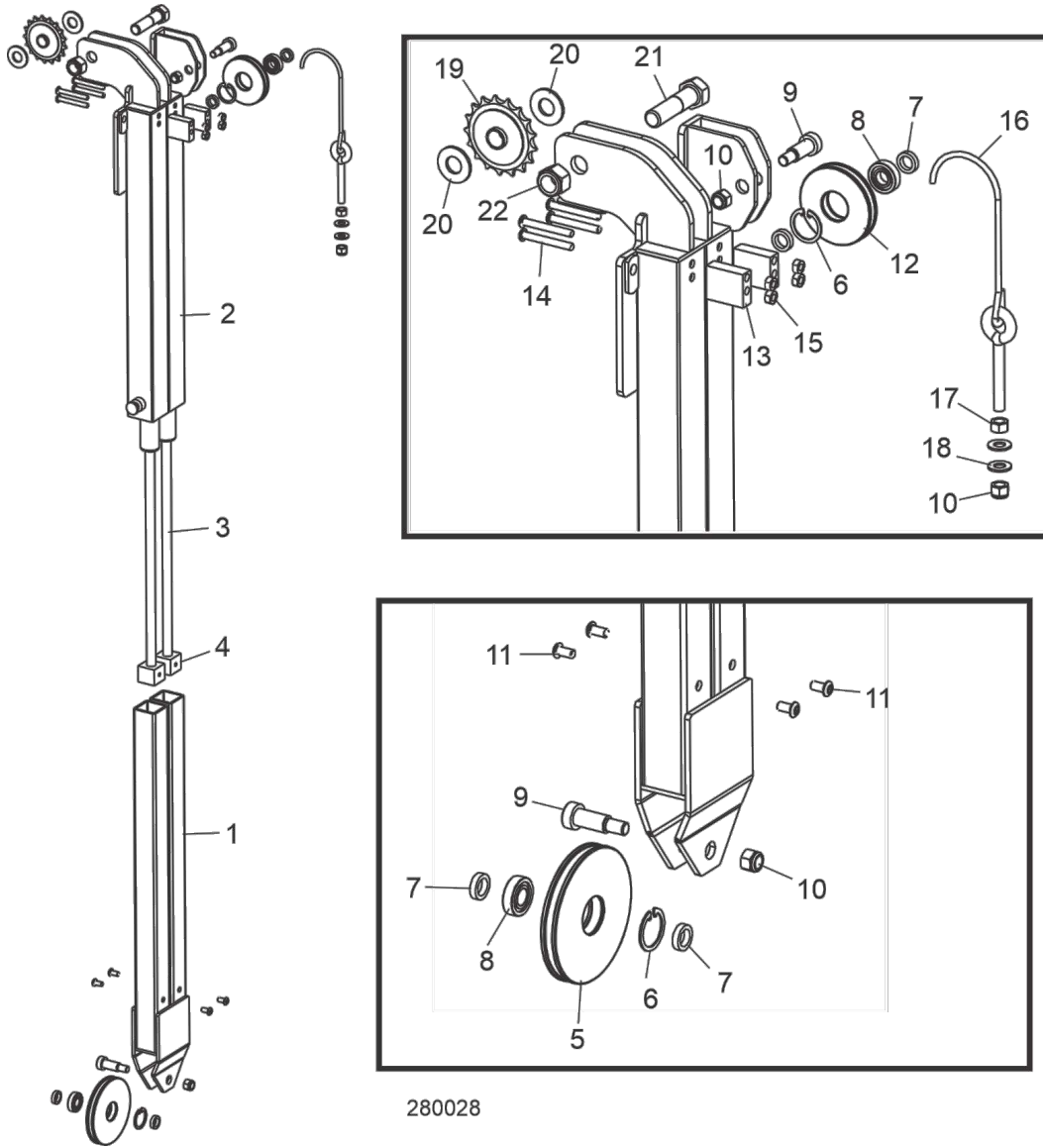
280050B

REF	PART #	DESCRIPTION	COMMENTS	QTY.
	038906	ASSIST ASSEMBLY, LT28 UP/DOWN		1
1	046982	Spring, Gas Charged		2
	038628	Wiper, .542" Gas Spring Rubber		1
2	038905	Block, Lower Spring Mount		2
3	046602	Pulley, Large Cable		1
4	F04254-1	Ring, 1 1/8" Inside Retaining		2
5	046986	Bushing, 3/16" Spacer		4
6	015975	Bearing, R8-2RS		2

REF	PART #	DESCRIPTION	COMMENTS	QTY.
7	F05008-146	Bolt, 1/2" x 1" Shoulder		2
8	F05010-10	Nut, 3/8-16 Hex Nylon Lock		3
9	F05011-17	Washer, 5/16" SAE Flat	Added 6/10	2
10	F05006-79	Bolt, 5/16-18 x 1 3/4" Hex Head Full Thread Grade 5	Replace F05006-81 & F05008-96 as of 6/10	4
11	F05010-6	Nut, 5/16-18 Hex Lock	Replace F05010-58 as of 6/10	4
12	038913	Pad, Assist Guide Wear		1
13	038907	Plate, Lower Pulley Mount		2
14	025674	Pad, Up/Down Assist Slide		1
15	046995	Pulley, Small Cable		1
16	038908	Cable Assembly, Up/Down LT28		1
17	F05010-1	Nut, 3/8-16 Hex		1
18	P04333	Sprocket, #40 Idler 17T 5/8 ID		1
19	F05011-5	Washer, 5/8" SAE Flat		2
20	049330	Cover, Upper Chain		1
21	F05009-20	Bolt, 5/8-11 x 2 1/2" Hex Head Grade 5		1
22	F05010-34	Nut, 5/8-11 Nylon Lock		1
23	038903	Mount Weldment, Upper Assist		1

6.5 Up/Down Assist Assembly (2005-2006)

LT28 Rev A1.00 - A3.00



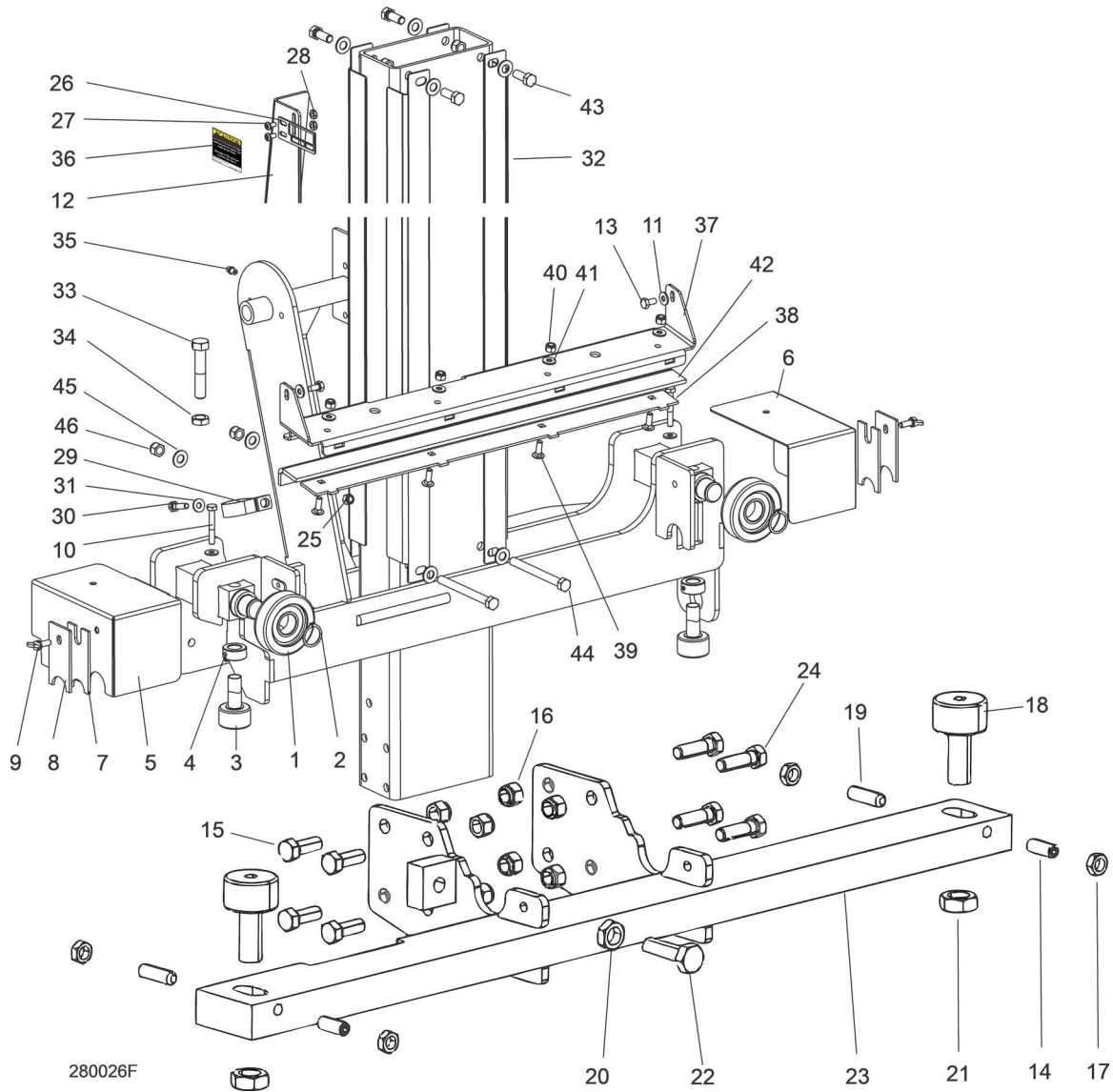
280028

REF	PART #	DESCRIPTION	COMMENTS	QTY.
	048573	ASSIST ASSEMBLY, LT28 UP/DOWN		1
1	046821	Tube Weldment, Upper Assist		1
2	048574	Tube Weldment, LT28 Assist		1
3	046982	Spring, Gas Charged	Includes wiper	2
	038628	Wiper, .542" Gas Spring Rubber	Replaced 038628 as of 11/2006	1
4	046978	Block, Upper Spring Mount		2
5	046602	Pulley, Large Cable		1
6	F04254-1	Ring, 1 1/8" Inside Retaining		2
7	046986	Bushing, 3/16" Spacer		4

REF	PART #	DESCRIPTION	COMMENTS	QTY.
8	015975	Bearing, R8-2RS		2
9	F05008-14 6	Bolt, 1/2" x 1" Shoulder		2
10	F05010-10	Nut, 3/8-16 Hex Nylon Lock		3
11	F05005-59	Screw, 1/4-20 x 1/2" Button Socket Head Stainless		4
12	046995	Pulley, Small Cable		1
13	046822	Block, Lower Spring Mount		2
14	F05005-16 4	Bolt, 1/4-20 x 2" Socket Button Head		4
15	F05010-21	Nut, 1/4-20 Hex Lock		4
16	038446	Cable Assembly, Up/Down LT28		1
17	F05010-1	Nut, 3/8-16 Hex		1
18	F05011-3	Washer, 3/8" SAE Flat		2
19	P04333	Sprocket, #40 Idler 17T 5/8 ID		1
20	F05011-5	Washer, 5/8" SAE Flat		2
21	F05009-20	Bolt, 5/8-11 x 2 1/2" Hex Head Grade 5		1
22	F05010-34	Nut, 5/8-11 Nylon Lock		1

SECTION 7 FEED SYSTEM & TRACK ROLLERS

7.1 Track Rollers And Wipers

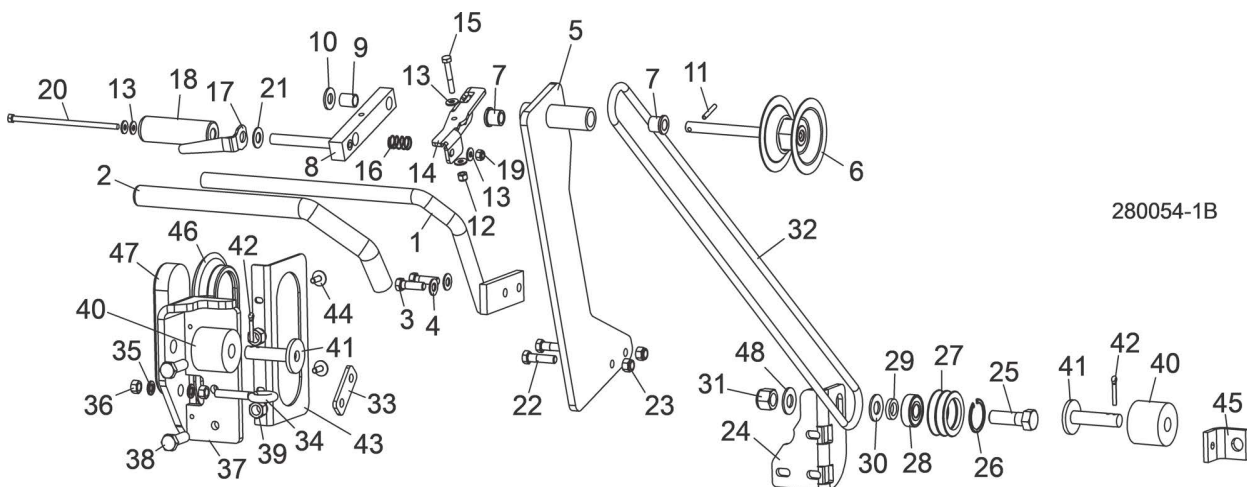


REF	PART #	DESCRIPTION	COMMENTS	QTY.
	048543	UPRIGHT ASSEMBLY, LT28		1
1	023857	Bearing, MG305DDA		2
2	F04254-15	Ring, 1" Outer Retaining		2
3	012797	Bearing, Cam Follower 1 1/2" (McGill)		2
4	P05035	Collar, 5/8" x 1-1/8" Lock		2
5	049342	Cover Weldment, Rear Bearing		1
6	049341	Cover Weldment, Front Bearing		1
7	M04113	Wiper, Top Rail		2
8	034229	Plate, Track Wiper		2
9	F05005-64	Stud, 1/4-20 X 5/8" Wing		2
10	F05005-68	Bolt, 1/4-20 X 1 3/4" Hex Head Grade 5		2
11	F05011-11	Washer, 1/4 SAE Flat		4

REF	PART #	DESCRIPTION	COMMENTS	QTY.
12	049134	Plate, LT28 Blade Height Pointer Mount		1
13	F05005-137	Bolt, 1/4-20x5/8 HH Gr5	Replaced F05005-15 after 5/23/24 per ECN 39403	2
	F05005-15	Bolt, 1/4-20 X 1/2" Hex Head		2
	057924	Bracket Assy, Lower Cam	Replaced 048547 after 6/26/23 per ECN 39066	1
14	057920	Bearing Weldment, Lower Cam		1
15	012797	Bearing, Cam Follower 1 1/2		2
16	F05010-11	Nut, 5/8-18 Hex Jam		2
17	F05007-87	Bolt, 3/8-16x1 Gr5 HH		4
18	F05010-31	Nut, 1/2-13 Zinc Jam		1
19	F05008-33	Bolt, 1/2-13x1 1/2 HH Gr5		1
20	F05010-22	Nut, 3/8-24 UNC Hex Jam		4
21	F05007-184	Screw, 3/8-24x1 SHFP Set SS		2
22	F05007-96	Screw, 3/8-24x1.25 Sh Flpt Stnls		2
23	F05007-123	Bolt, 3/8-16x 1 1/4 HH Gr5		4
24	F05010-10	Nut, 3/8-16 Hex Nyl Lock		8
	048547	Bearing Assembly, Lower LT28		1
	048548	Bearing Weldment, LT28 Lower Cam		1
	012797	Bearing, Cam Follower 1 1/2 (McGill)		1
	F05010-11	Nut, 5/8-18 Hex Jam		1
	F05007-87	Bolt, 3/8-16 x 1" Hex Head Grade 5		8
	F05007-123	Bolt, 3/8-16 x 1 1/4" Hex Head Grade 5		4
	F05010-10	Nut, 3/8-16 Hex Nylon Lock		8
	F05010-31	Nut, 1/2-13 Hex Jam		1
	F05008-33	Bolt, 1/2-13 x 1 1/2" Hex Head Grade 5		1
25	F05010-69	Nut, 1/4-20 Nylon Lock		1
26	017778	Pointer, Scale Height		1
27	F05004-3	Bolt, #10-24 x 3/8" CrSI PH		2
28	F05010-14	Nut, #10-24 Keps		2
29	038482	Clamp, 1-1/4 Carbon Steel Conduit		1
30	F05005-101	Bolt, 1/4-20 x 1" Hex Head Grade 5		1
31	F05011-11	Washer, 1/4" SAE Flat		1
32	048614	Angle, LT28 Mast Tube Stainless		4
33	F05008-74	Bolt, 1/2-13 x 2 1/2" Hex Head Grade 5		1
34	F05010-31	Nut, 1/2-13 Jam		1
35	P05060	Fitting, 1/4-28 Grease		1
36	S11762	Decal, Saw Head Up/Down Caution		1
	110614	Cover Assembly, LT28/35/70 Track		1
37	110610	Cover, Mid Track, LT28, LT35, LT70		1
38	110611	Retainer, Felt Oiler		1
39	F05005-113	Bolt, 1/4-20x3/4 Carriage		4
40	F05010-69	Nut, 1/4-20 Nylock		4
41	F05011-11	Washer, 1/4 SAE Flat		4
42	S09915	Felt, Middle Track Oiler LT40/50/70		1
43	F05007-87	Bolt, 3/8-16 x 1" Hex Head Grade 5		4
44	F05007-92	Bolt, 3/8 x 4 Hex Head Full Thread Grade 5		2
45	F05011-3	Washer, 3/8" SAE Flat		8
46	F05010-10	Nut, 3/8-16 Hex Nylon Lock		4

7.2 Manual Feed (2006-Present)

LT28 Rev A1.03-Present

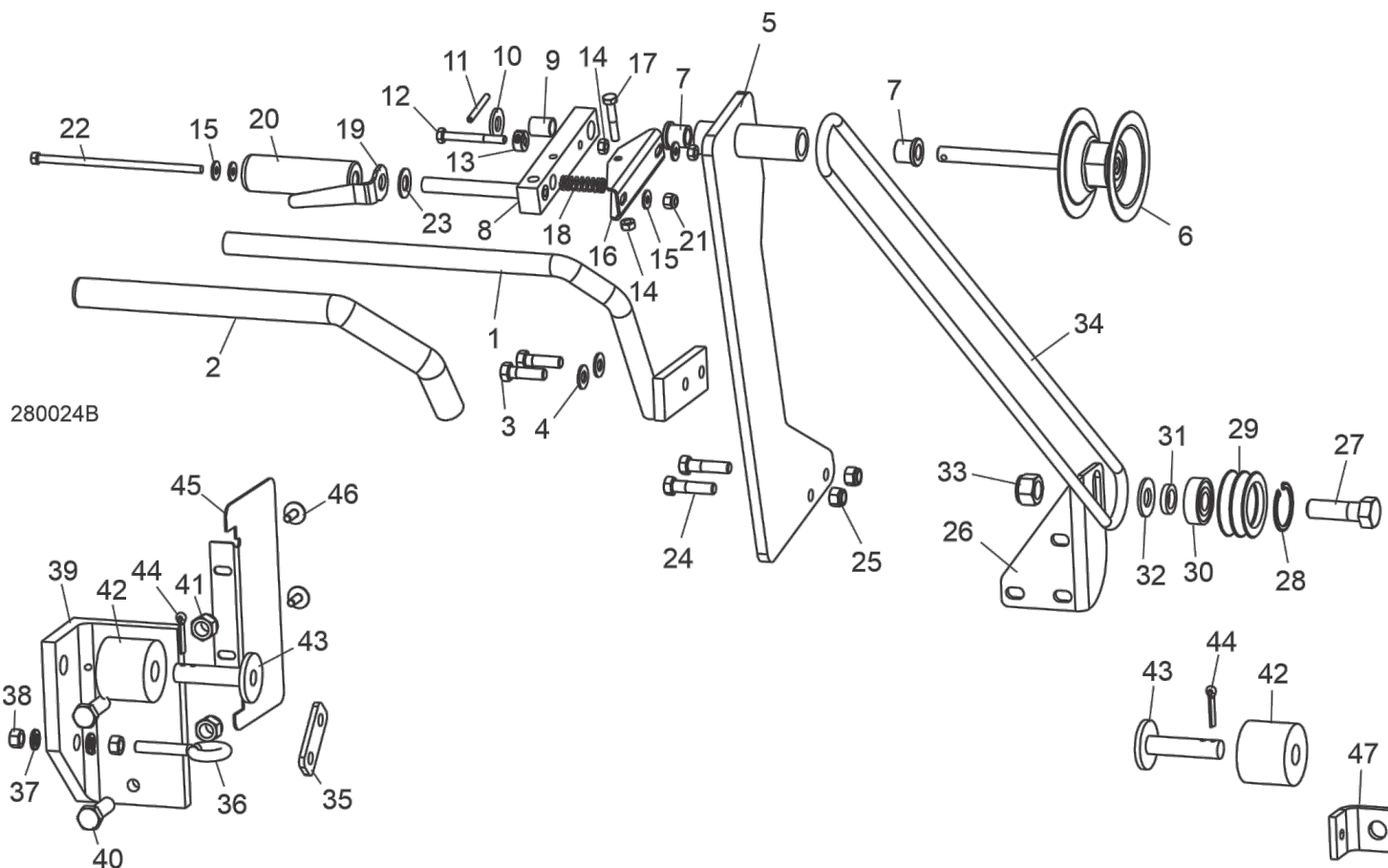


REF	PART #	DESCRIPTION	COMMENTS	QTY.
	046889	HANDLE ASSEMBLY, PUSH		1
1	046857	Handle Weldment, Push		1
2	028390	Grip, Handle		1
3	F05007-123	Bolt, 3/8-16 x 1 1/4" Hex Head Grade 5		2
4	F05011-3	Washer, 3/8" SAE Flat		2
	038624	CRANK ASSEMBLY, FEED 2006		1
5	046832	Plate Weldment, Feed Mount		1
6	046854	Pulley Weldment, Feed		1
7	P22317	Bushing, 1/2" x 3/4" Flanged Bronze		2
8	038625	Handle Weldment, Feed		1
9	046976	Bushing, 1/2" x 5/8" x 3/4" Bronze		1
10	F05011-2	Washer, 1/2" SAE Flat		1
11	F05012-16	Pin, 3/16" x 1 1/4" Roll		1
12	F05010-69	Nut, 1/4-20 Hex Nylon Lock		1
13	F05011-11	Washer, 1/4" SAE Flat		5
14	038623	Bracket, Feed Handle Lock		1
15	F05005-68	Bolt, 1/4-20 x 1 3/4" Hex Head Grade 5		1
16	049364	Spring, .6" Dia. x 1" Long x .055" Wire Compression		1
17	046867	Plate, Lock Handle Release		1
18	046647	Handle, 33/64" x 1 1/4" x 4" Plastic		1
19	F05010-69	Nut, 1/4-20 Hex Nylon Lock		1
20	F05005-163	Bolt, 1/4-20 x 6" Hex Head Grade 5		1
21	036597	Bearing, 1/2" ID x 1" OD x 1/16" Bronze Thrust		1
22	F05007-78	Bolt, 3/8-16 X 1 1/2" Hex Head Grade 5		2
23	F05010-10	Nut, 3/8-16 Hex Nylon Lock		2
24	048580	Plate, Pulley Mount		1
	046979	ROLLER ASSEMBLY, LOWER FEED		1
25	F05009-2	Bolt, 5/8-11 X 2" Hex Head Grade 2		1
26	F04254-8	Ring, 1.575 Internal Beveled Retaining		1
27	046838	Roller, 2 1/4 Double Groove		1

REF	PART #	DESCRIPTION	COMMENTS	QTY.
28	P06030-1	Bearing, 5/8 x 1.7548 x .4724		1
29	S12480	Tube, 41/64 x 1 x 3/16		1
30	F05011-5	Washer, 5/8" SAE Flat		1
31	F05010-34	Nut, 5/8-11 Nylon Lock		1
32	R02080-1	Rope, 3/8" Dia. Solid Braided Polyester	Replaced 5/16" Dia rope R02080 as of rev A4.00	30.5 Ft.
33	049339	Plate, Feed Rope Lock	Added after rev A4.00	1
34	F05007-30	Bolt, 3/8-16 X 2" Eye (5/8" Id)		1
35	F05011-4	Washer, 3/8" Split Lock		2
36	F05010-1	Nut, 3/8-16 Hex		2
37	006686	Bracket Weldment, Rear Feed Stop		1
38	F05008-33	Bolt, 1/2-13 X 1 1/2" Hex Head		2
39	F05010-8	Nut, 1/2-13 Hex Nylon Lock		2
40	P12165	Bushing, 11/16" Id X 2 1/8" Od X 1 3/4" Rubber		2
41	W09293	Pin Weldment, Carriage Stop		2
42	F05012-21	Pin, 3/16" X 1" Cotter		2
43	057882	Plate, Bed Tube End W/light Mount		1
44	F05005-134	Screw, 1/4-20 X 3/4" Hex W/conical Washer Head		2
45	S12466	Bracket, Feed Rope Mount	Added after rev A4.00	1
46	006688	Grommet, 6 1/2" Light Mounting		1
47	006391	Light, 8 Diode Led Tail		1
48	F05011-5	Washer, 5/8" Sae Flat		1

7.3 Manual Feed (2005)

LT28 Rev. A1.00-A1.02

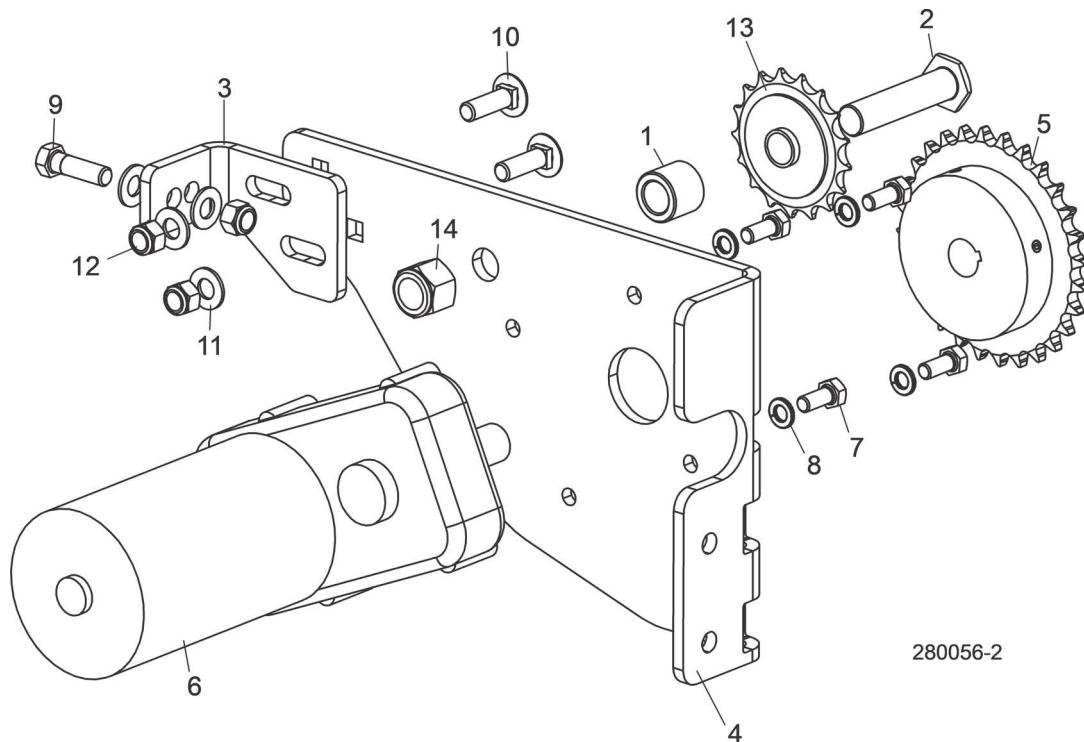


REF	PART #	DESCRIPTION	COMMENTS	QTY
	046889	HANDLE ASSEMBLY, PUSH		
1	046857	Handle Weldment, Push		
2	028390	Grip, Handle		
3	F05007-123	Bolt, 3/8-16 x 1 1/4" Hex Head Grade 5		
4	F05011-3	Washer, 3/8" SAE Flat		
	046833	CRANK ASSEMBLY, FEED 2004		
5	046832	Plate Weldment, Feed Mount		
6	046854	Pulley Weldment, Feed		
7	P22317	Bushing, 1/2" x 3/4" Flanged Bronze		
8	047723	Handle Weldment, Feed		
9	046976	Bushing, 1/2" x 5/8" x 3/4" Bronze		
10	F05011-2	Washer, 1/2" SAE Flat		
11	F05012-103	Pin, 3/16" x 1 3/4" Roll		
12	F05005-32	Bolt, 1/4-20 x 2 1/4" Hex Head Grade 2		
13	036583	Collar, 1/4 x 11/16 OD Single Split B/O		
14	F05010-21	Nut, 1/4-20 Hex Lock		
15	F05011-11	Washer, 1/4" SAE Flat		

REF	PART #	DESCRIPTION	COMMENTS	QTY
16	047707	Bracket, Feed Handle Lock		
17	F05005-5	Bolt, 1/4-20 x 1 1/2" Hex Head		
18	047690	Spring, .48" x 1.5" Stainless Compression		
19	046867	Plate, Lock Handle Release		
20	046647	Handle, 33/64" x 1 1/4" x 4" Plastic		
21	F05010-69	Nut, 1/4-20 Hex Nylon Lock		
22	F05005-163	Bolt, 1/4-20 x 6" Hex Head Grade 5		
23	036597	Bearing, 1/2" ID x 1" OD x 1/16" Bronze Thrust		
24	F05007-78	Bolt, 3/8-16 X 1 1/2" Hex Head Grade 5		
25	F05010-10	Nut, 3/8-16 Hex Nylon Lock		
26	048580	Plate, Pulley Mount		
	046979	ROLLER ASSEMBLY, LOWER FEED		
27	F05009-2	Bolt, 5/8-11 X 2" Hex Head Grade 2		
28	F04254-8	Ring, 1.575 Internal Beveled Retaining		
29	046838	Roller, 2 1/4 Double Groove		
30	P06030-1	Bearing, 5/8 x 1.7548 x .4724		
31	S12480	Tube, 41/64 x 1 x 3/16		
32	F05011-5	Washer, 5/8" SAE Flat		
33	F05010-34	Nut, 5/8-11 Nylon Lock		
34	R02080	Rope, 5/16" Dia. Solid Braided Polyester		
35	049339	Plate, Feed Rope Lock		
36	F05007-30	Bolt, 3/8-16 X 2" Eye (5/8" Id)		
37	F05011-4	Washer, 3/8" Split Lock		
38	F05010-1	Nut, 3/8-16 Hex		
39	016165	Bracket, Rear Tube End		
40	F05008-33	Bolt, 1/2-13 X 1 1/2" Hex Head		
41	F05010-8	Nut, 1/2-13 Hex Nylon Lock		
42	P12165	Bushing, 11/16" Id X 2 1/8" Od X 1 3/4" Rubber		
43	W09293	Pin Weldment, Carriage Stop		
44	F05012-21	Pin, 3/16" X 1" Cotter		
45	016164	Plate, Rear Frame Tube Cover		
46	F05005-134	Screw, 1/4-20 X 3/4" Hex W/conical Washer Head		
47	S12466	Bracket, Feed Rope Mount		

7.4 Power Feed Assembly (Optional before 2010)

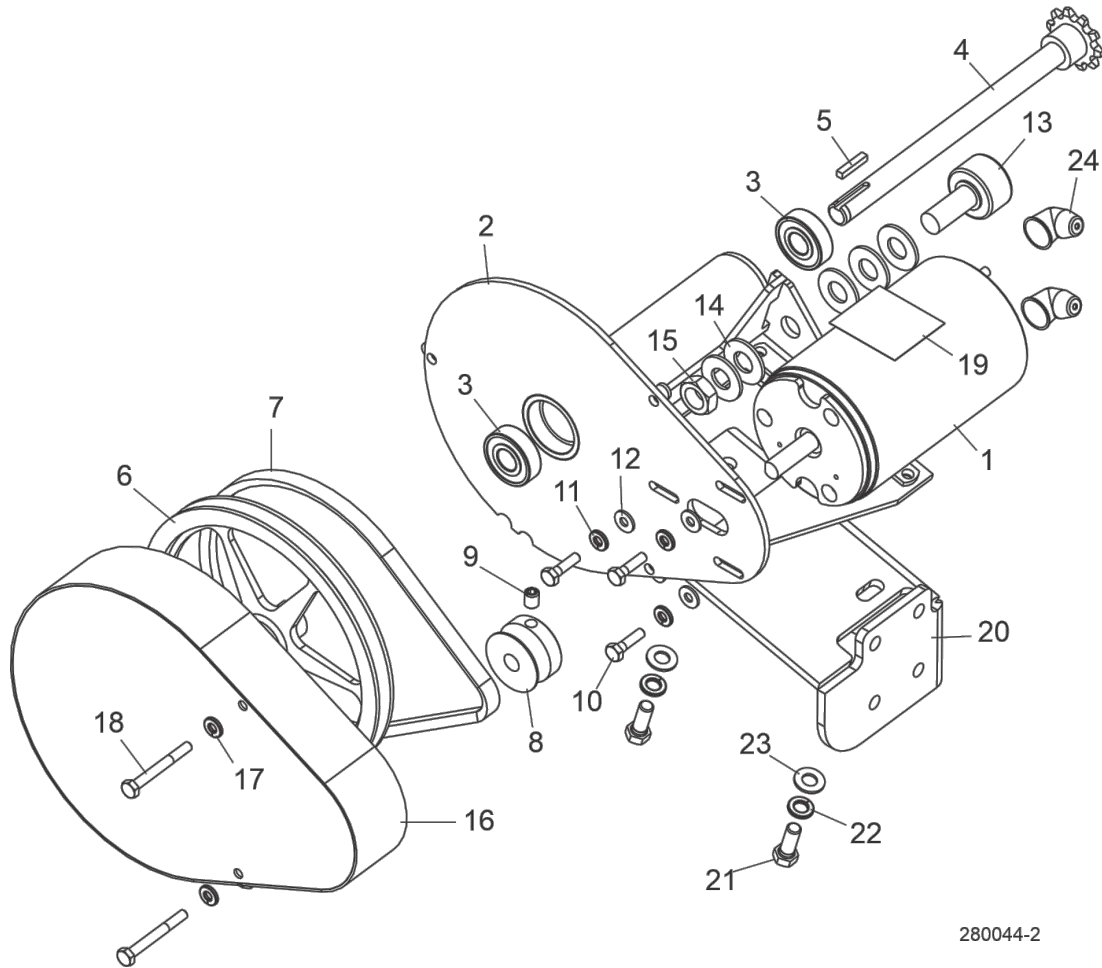
LT28 Rev. A6.01 - Present



REF	PART #	DESCRIPTION	COMMENTS	QTY.
1	008958	BOSS, .63" ID X 1" OD X .85"		1
2	008959	BOLT, IDLER SPROCKET RETAINING		1
3	066998	PLATE, PF DRIVE	066998 replaced 008973 after 3/21/2022 per ECN 38437.	1
	008973	BRACKET, POWER FEED DRIVE MOUNT		1
4	059593	PLATE, POWER FEED DRIVE MOUNT		1
5	059594	SPROCKET, 40B28 X 3/4" BORE		1
6	069361	MOTOR ASSEMBLY, LT28 POWER FEED		1
	133256	Gearmotor, Klauber 1/5HP 87RPM 12VDC		1
	F05708-16	Terminal, 1/4 14-16Ga Quick Male FI		1
	057830	Gearmotor, Klauber 1/5HP 79RPM 12VDC	ECN:38934/38920/39036	1
	065182	Brush Kit, Klauber 33:1 Gearmotor Endbell		1
7	F05006-102	BOLT, 5/16-18 X 3/4" HEX HEAD GRADE 5		4
8	F05011-13	WASHER, 5/16" SPLIT LOCK		4
9	F05007-123	BOLT, 3/8-16 X 1 1/4" HEX HEAD GRADE 5		1
10	F05007-127	BOLT, 3/8-16 X 1 1/4" CARRIAGE HEAD GRADE 5		2
11	F05011-3	WASHER, 3/8" SAE FLAT		4
12	F05010-10	NUT, 3/8-16 HEX NYLON LOCK		3
13	P04333	SPROCKET, #40 17T X 5/8" BORE IDLER		1
14	F05010-34	NUT, 5/8-11 HEX NYLON LOCK		1

7.5 Power Feed Assembly (2005-2010)

LT28 Rev A1.00-A6.00



280044-2

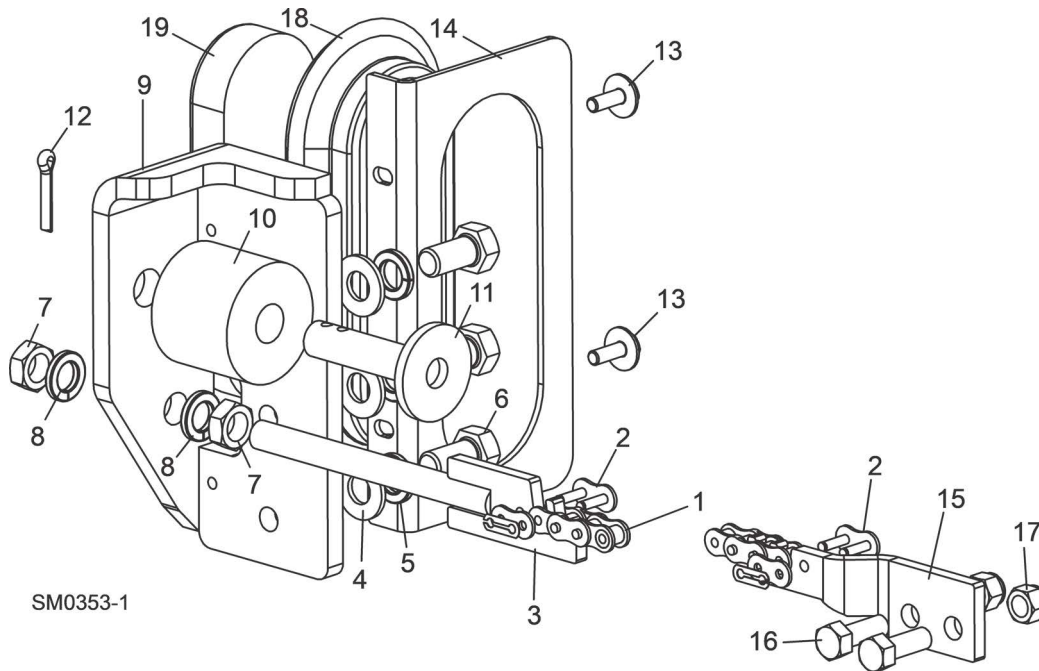
REF	PART #	DESCRIPTION	COMMENTS	QTY.
	A11603	POWER FEED ASSEMBLY		1
1	006747	Motor, Power Feed	Replaced motor 014359 as of 11/08	1
	061794	Brush Kit, 12 V Motor (2008)	Use with motor 006747	1
	006619	Brush Kit, 12V Motor (2007)	Use with motor 014359 after 7/2007	1
	A09086	Brush Kit, 12V Motor	Use with motor 014359 prior to 7/2007	1
	F05006-40	Screw, 5/16-18 x 3/8" Socket Head Set Oval Point		2
2	W11605	Bracket, Power Feed Mount		1
3	P06030-1	Bearing, 5/8" 6203-2NSL		2
	016067	Shaft Assembly, Power Feed with Key		1
4	W11610	Shaft, Power Feed With Sprocket		1
5	S31027	Key, 3/16" Square x 1" Long		1
6	P04343	Pulley, 8" Power Feed		1
7	P04031	Belt, 4L280 V		1

7 **Feed System & Track Rollers**
Power Feed Assembly (2005-2010)

REF	PART #	DESCRIPTION	COMMENTS	QTY.
8	S09579	Pulley, Power Feed Motor		1
9	F05007-12	Screw, 3/8-16 X 1/2" Cup Point Socket Set		1
10	F05005-101	Bolt, 1/4-20 X 1" Hex Head Grade 5		3
11	F05011-14	Washer, 1/4" Split Lock		3
12	F05011-11	Washer, 1/4" SAE Flat		3
13	012797	Bearing, 1 1/2" Cam Follower		1
14	F05011-5	Washer, 5/8" SAE Flat		6
15	F05010-11	Nut, 5/8-11 Hex Jam		1
16	W11613	Guard, Power Feed Belt		1
17	F05011-14	Washer, 1/4" Split Lock		2
18	F05005-32	Bolt, 1/4-20 X 2 1/4" Hex Head Grade 2		2
19	024431	Decal, Disconnect Motor Leads Warning		1
20	049122	Plate, LT28 Power Feed Mount		1
21	F05007-87	Bolt, 3/8-16 X 1" Hex Head Grade 5		2
22	F05011-4	Washer, 3/8" Split Lock		2
23	F05011-3	Washer, 3/8" Flat SAE		2
24	P03807	Boot, 1/2" Rubber Terminal		2

7.6 Feed Chain/Stop (2007-Present)

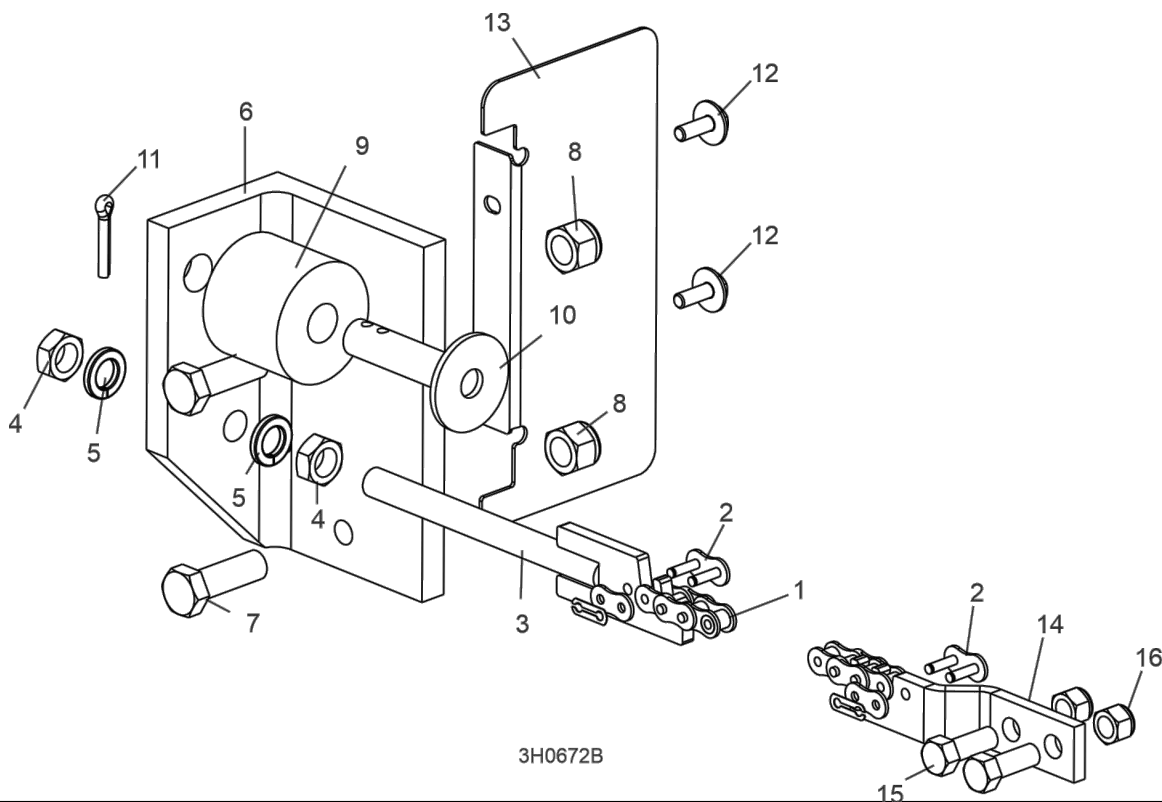
LT28 A6.00-Present



REF	PART #	DESCRIPTION	COMMENTS	QTY.
1	014745	Chain, #40 X 267.5" Lt40 Feed		1
2	P04200	Link, #40 Master		2
3	015721	Tensioner Weldment, Power Feed Chain		1
4	F05011-2	Washer, 1/2" Sae Flat		3
5	F05011-9	Washer, 1/2" Split Lock		3
6	F05008-128	Bolt, 1/2-13 X 1" Hex Head Grade 8		3
7	F05010-16	Nut, 1/2-20 Hex Jam		2
8	F05011-9	Washer, 1/2" Split Lock		2
9	006686	Bracket Weldment, Rear Feed Stop		1
	K09630	Stop Kit, Rubber Carriage		2
10	P12165	Stop, Rubber Carriage		1
11	W09293	Pin, Rubber Carriage Stop		1
12	F05012-21	Pin, 3/16" X 1" Cotter		1
13	F05005-134	Bolt, 1/4-20 X 3/4" With Conical Washer		1
14	057822	Plate, Bed Tube End W/light Mount		1
15	015008	Bracket, Front Feed Chain Mount		1
16	F05007-87	Bolt, 3/8-16 X 1" Hex Head Grade 5		2
17	F05010-10	Nut, 3/8-16 Hex Nylon Lock		2
18	006688	Grommet, 6 1/2" Light Mounting		1
19	006391	Light, 8 Diode Led Tail		1

7.7 Feed Chain/Stop (2005-2007)

LT28 Rev. 1.00-A5.00

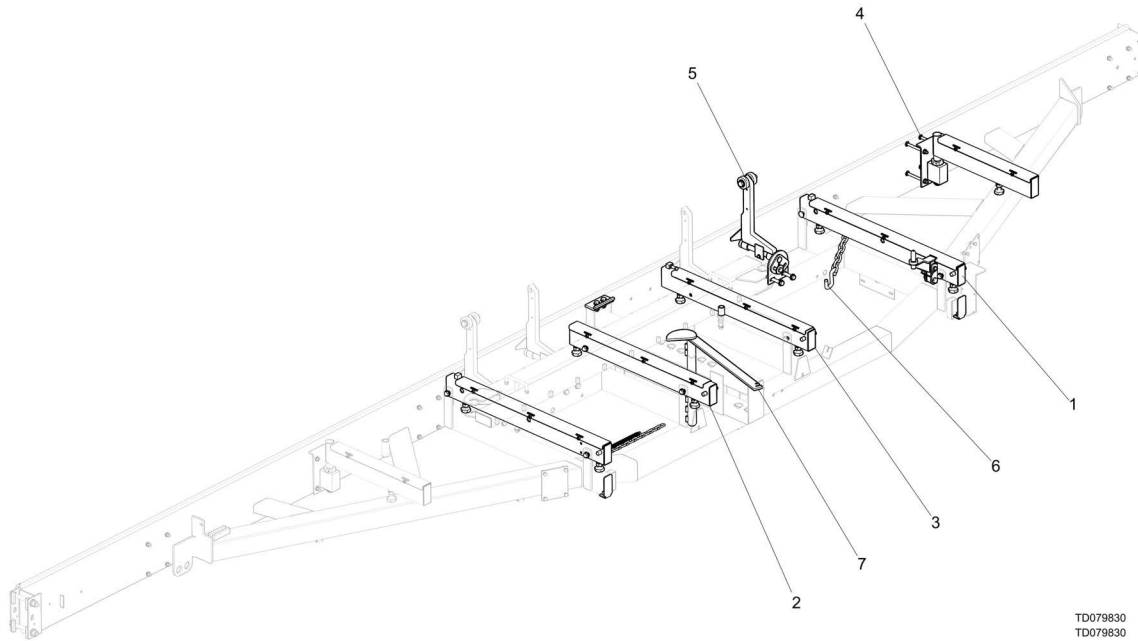


3H0672B

REF	PART #	DESCRIPTION	COMMENTS	QTY.
1	014745	Chain, #40 X 267.5" Lt40 Feed	(W/optional Power Feed)	1
2	P04200	Link, #40 Master	(W/optional Power Feed)	2
3	015721	Tensioner Weldment, Power Feed Chain	(W/optional Power Feed)	1
4	F05010-16	Nut, 1/2-20 Hex Jam	(W/optional Power Feed)	2
5	F05011-9	Washer, 1/2" Split Lock	(W/optional Power Feed)	2
6	016165	Bracket, 4 X 8 End Cap		1
7	F05008-33	Bolt, 1/2-13 X 1 1/2" Hex Head Grade 5		2
8	F05010-8	Nut, 1/2-13 Hex Nylon Lock		2
	K09630	STOP KIT, RUBBER CARRIAGE		2
9	P12165	Stop, Rubber Carriage		1
10	W09293	Pin, Rubber Carriage Stop		1
11	F05012-21	Pin, 3/16" X 1" Cotter		1
12	F05005-134	Bolt, 1/4-20 X 3/4" With Conical Washer		1
13	016164	Cap, 4 X 8" Rear Formed		1
14	015008	Bracket, Front Feed Chain Mount		1
15	F05007-7	Bolt, 3/8-16 X 1" Hex Head		2
16	F05010-10	Nut, 3/8-16 Hex Nylon Lock		2

SECTION 8 BED FRAME ASSEMBLY

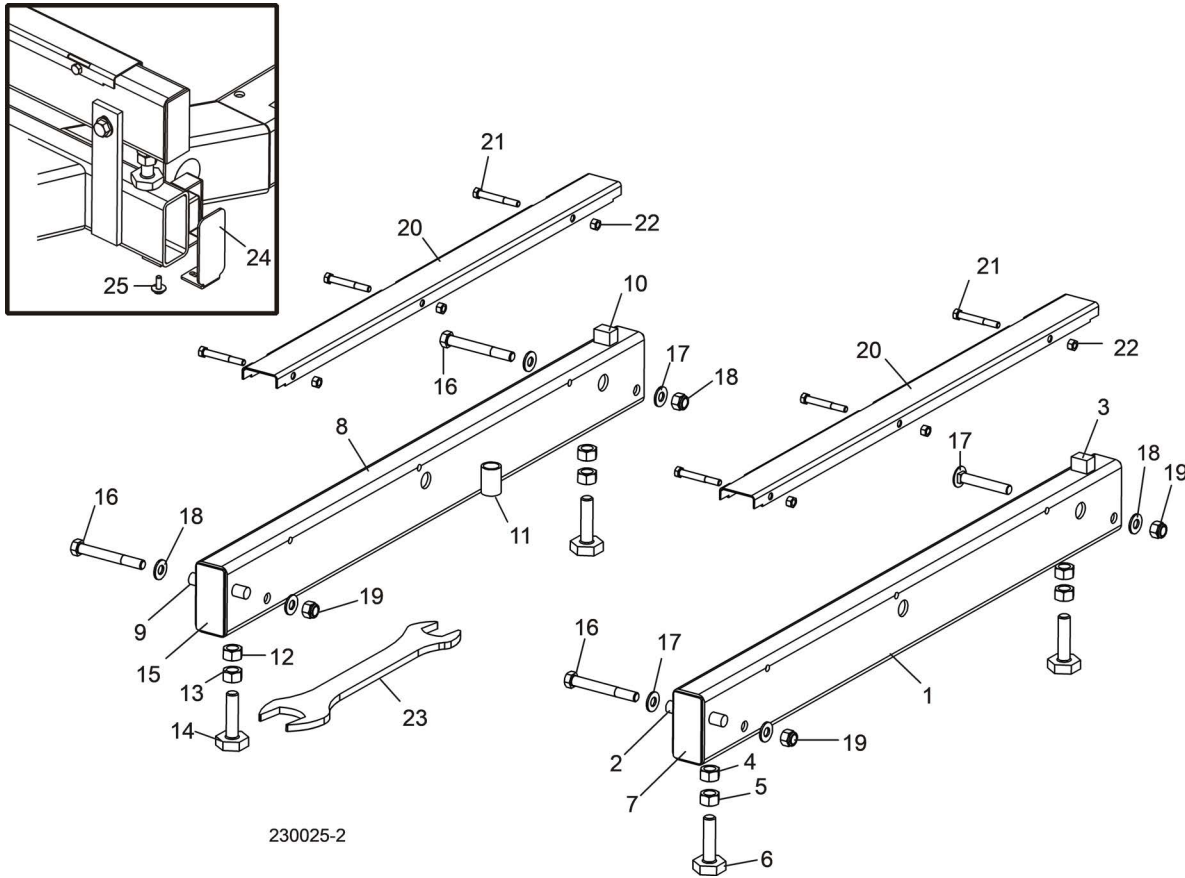
8.1 Bed Frame



REF	PART #	DESCRIPTION	COMMENTS	QTY.
	079830	ASSY, LT28 INTERNATIONAL STATIONARY BED		1
1		Bed Rail Assembly, Front And Rear	(See Section 8.2)	2
2		Bed Rail Assembly, Middle Front	(See Section 8.4)	1
3		Bed Rail Assembly, Middle Rear	(See Section 8.5)	1
4		Pivot Bed Rail Assembly	(See Section 8.7)	1
5		Log Side Support Assembly	(See Section 8.8)	4
6		Safety Chain Assembly	(See Section 8.9)	1
7		Log Clamp	(See Section 8.12)	1

8.2 Bed Rail Assembly, Front And Rear (2006-Present)

LT28 Rev A3.00-Present

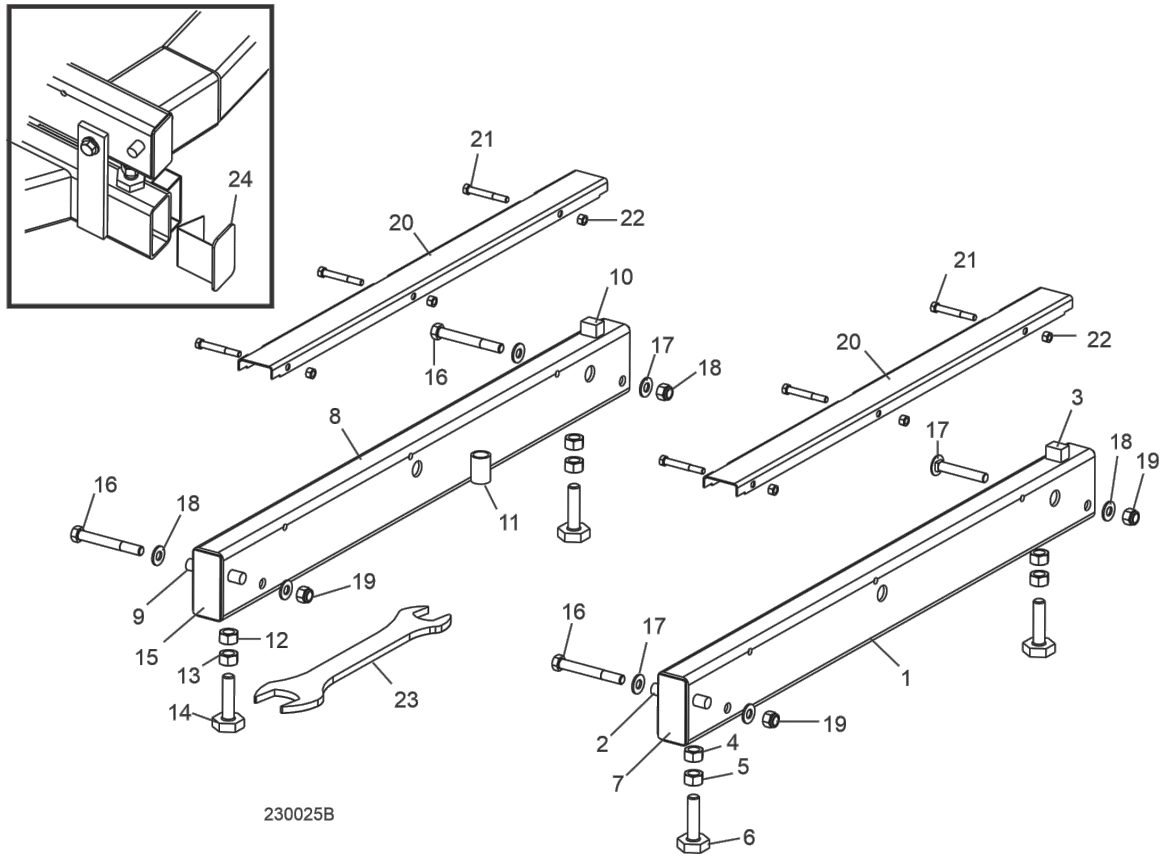


REF	PART #	DESCRIPTION	COMMENTS	QTY.
	A09774	BED RAIL ASSEMBLY, REAR PAINTED		1
1	S09102	Bed Rail Tube, Long	Available in assemblies only.	1
2	S04030	Pin, Ramp Mount		1
3	S09034	Block, Log Stop		1
4	F05010-84	Nut, 5/8-11 Pilot Weld		2
5	F05010-5	Nut, 5/8-11 Hex		2
6	S13006	Bolt, Bed Rail Adjustment		2
7	S04058	Plate, Bed Rail End Cap	Available in assemblies only.	2
	A09564	BED RAIL ASSEMBLY, FRONT PAINTED		1
8	S09102	Bed Rail Tube, Long	Available in assemblies only.	1
9	S04030	Pin, Ramp Mount		1
10	S09034	Block, Log Stop		1
11	S09334	Tube, Ramp Retainer Mount	Available in assemblies only.	1
12	F05010-84	Nut, 5/8-11 Pilot Weld		2
13	F05010-5	Nut, 5/8-11 Hex		2
14	S13006	Bolt, Bed Rail Adjustment		2
15	S04058	Plate, Bed Rail End Cap	Available in assemblies only.	2
16	F05008-78	BOLT, 1/2-13 X 4" HEX HEAD GRADE 5		3

REF	PART #	DESCRIPTION	COMMENTS	QTY.
17	F05008-94	BOLT, 1/2-13 X 3 1/2" CARRIAGE	Used on rear bed rail to allow clearance for optional side support rollers.	1
18	F05011-2	WASHER, 1/2" SAE FLAT		7
19	F05010-8	NUT, 1/2-13 NYLON LOCK		4
	079144	COVER KIT, FRONT/REAR BED RAIL SS		2
20	016898	Cover, Stainless Steel Bed Rail		1
21	F05006-10	Bolt, 5/16-18 X 2 1/2" Hex Head		3
22	F05010-6	Nut, 5/16-18 Hex Lock		3
23	015970	WRENCH, BED RAIL ADJUSTMENT		1
24	038843	CAP, BED RAIL REMOVABLE END		2
25	F05005-134	BOLT, 1/4-20 X 3/4" W/CONICAL WASHER HEAD		2

8.3 Bed Rail Assembly, Front And Rear (2005-2006)

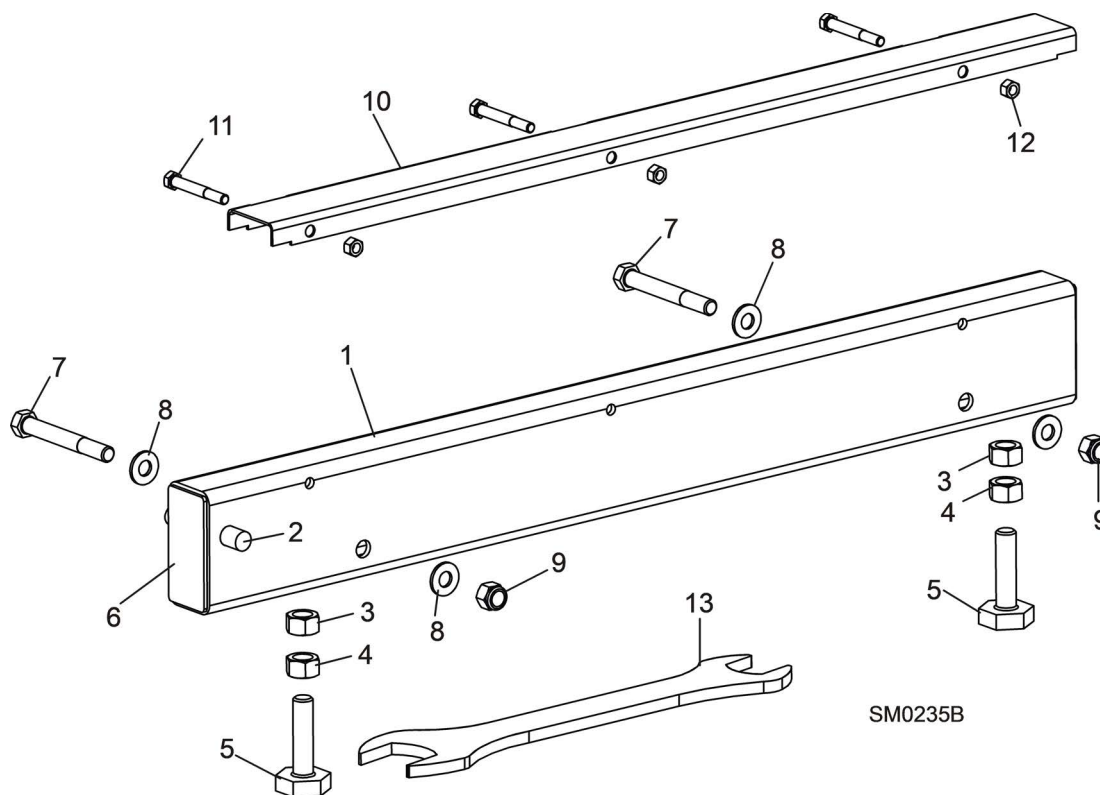
LT28 Rev A1.00-A2.01



REF	PART #	DESCRIPTION	COMMENTS	QTY.
	A09774	BED RAIL ASSEMBLY, REAR PAINTED		1
1	S09102	Bed Rail Tube, Long	Available in assemblies only.	1
2	S04030	Pin, Ramp Mount		1
3	S09034	Block, Log Stop		1
4	F05010-84	Nut, 5/8-11 Pilot Weld		2
5	F05010-5	Nut, 5/8-11 Hex		2
6	S13006	Bolt, Bed Rail Adjustment		2
7	S04058	Plate, Bed Rail End Cap	Available in assemblies only.	2
	A09564	BED RAIL ASSEMBLY, FRONT PAINTED		1
8	S09102	Bed Rail Tube, Long	Available in assemblies only.	1
9	S04030	Pin, Ramp Mount		1
10	S09034	Block, Log Stop		1
11	S09334	Tube, Ramp Retainer Mount	Available in assemblies only.	1
12	F05010-84	Nut, 5/8-11 Pilot Weld		2
13	F05010-5	Nut, 5/8-11 Hex		2
14	S13006	Bolt, Bed Rail Adjustment		2
15	S04058	Plate, Bed Rail End Cap	Available in assemblies only.	2

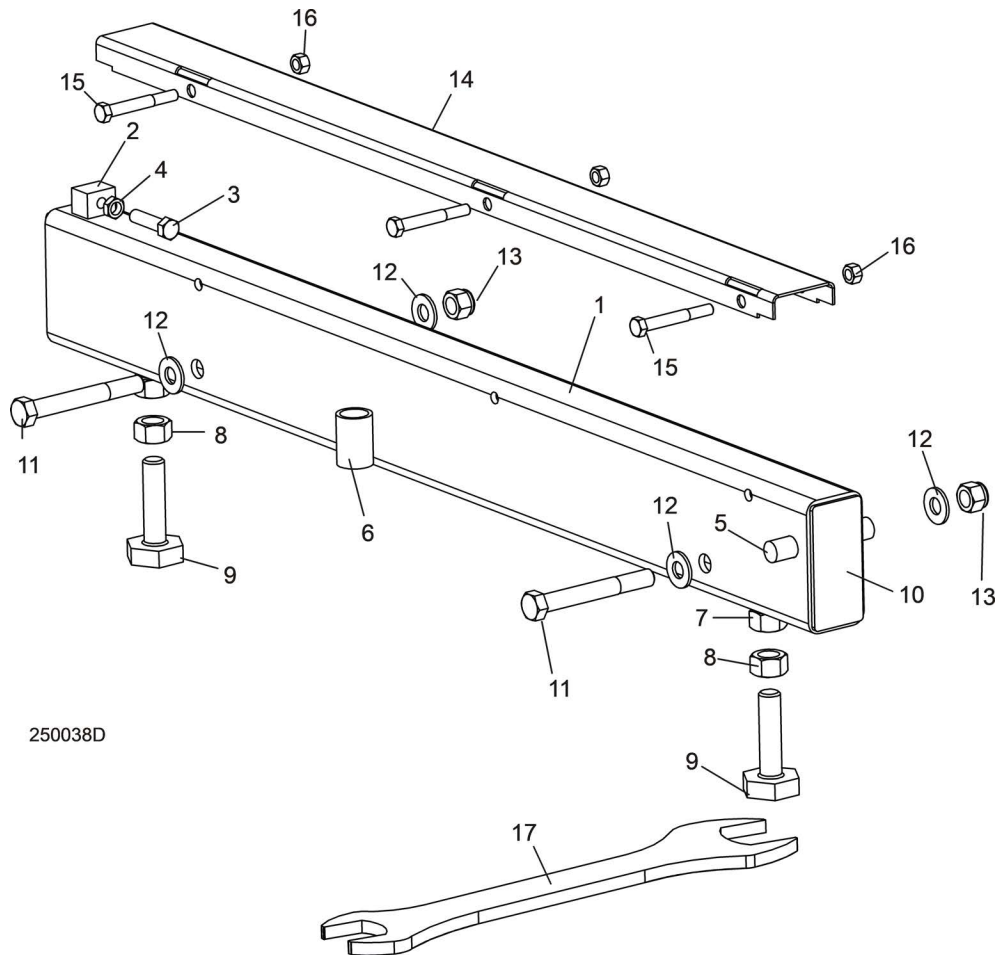
REF	PART #	DESCRIPTION	COMMENTS	QTY.
16	F05008-78	Bolt, 1/2-13 X 4" Hex Head Grade 5		3
17	F05008-94 1	Bolt, 1/2-13 X 3 1/2" Carriage		1
18	F05011-2	Washer, 1/2" Sae Flat		7
19	F05010-8	Nut, 1/2-13 Nylon Lock		4
20	016898	Cover, Stainless Steel Bed Rail		2
21	F05006-10	Bolt, 5/16-18 X 2 1/2" Hex Head		6
22	F05010-6	Nut, 5/16-18 Hex Lock		6
23	015970	Wrench, Bed Rail Adjustment		1
24	014652	Cap Weldment, Bed Rail Removable End		2

8.4 Bed Rail Assembly, Middle Front



REF	PART #	DESCRIPTION	COMMENTS	QTY.
	A09566	BED RAIL ASSEMBLY, FRONT MIDDLE		1
1	S09103	Bed Rail Tube, Short	Available in assemblies only.	1
2	S04030	Pin, Ramp Mount		1
3	F05010-84	Nut, 5/8-11 Pilot Weld		2
4	F05010-5	Nut, 5/8-11 Hex		2
5	S13006	Bolt, Bed Rail Adjustment		2
6	S04058	Plate, Bed Rail End Cap	Available in assemblies only.	2
7	F05008-78	BOLT, 1/2-13 X 4" HEX HEAD GRADE 5		2
8	F05011-2	WASHER, 1/2" SAE FLAT		4
9	F05010-8	NUT, 1/2-13 NYLON LOCK		2
	A09956	COVER ASSEMBLY, STAINLESS STEEL BED RAIL (LONG)		1
10	S09944	Cover, Stainless Steel Bed Rail	Available in assemblies only.	1
11	F05006-10	Bolt, 5/16-18 X 2 1/2" Hex Head		3
12	F05010-6	Nut, 5/16-18 Hex Lock		3
13	015970	WRENCH, BED RAIL ADJUSTMENT		1

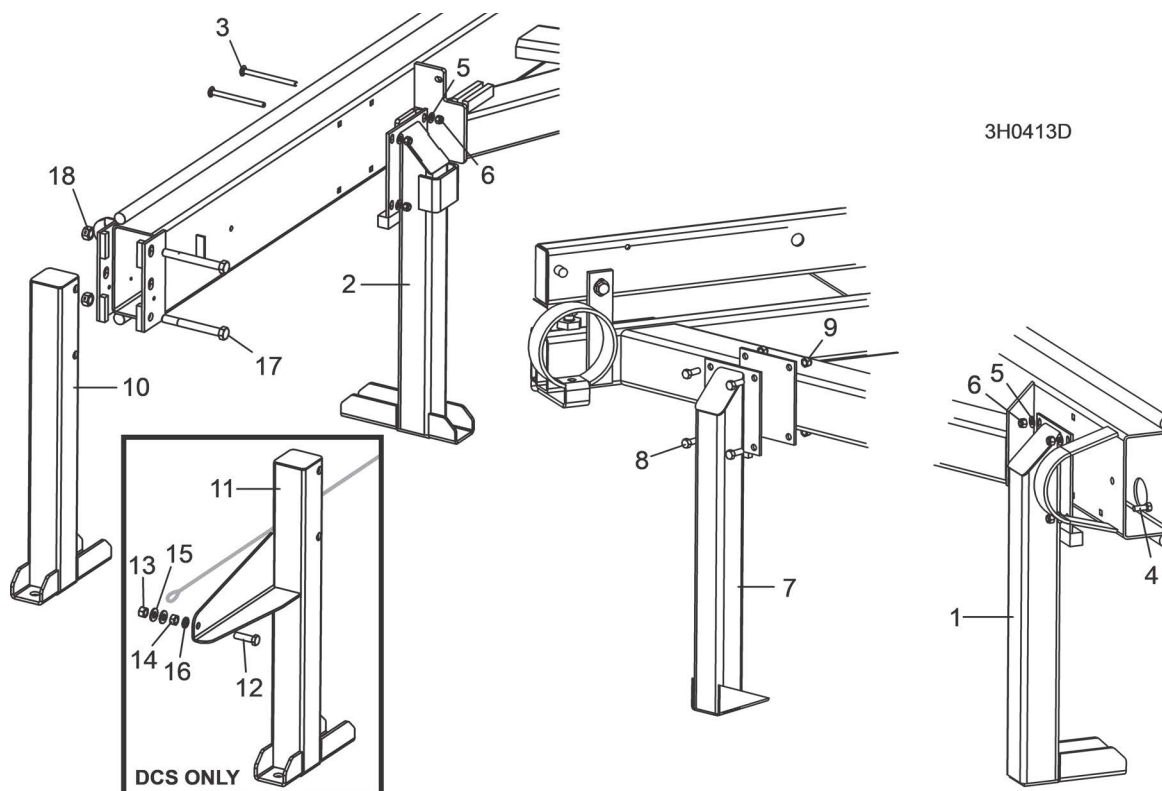
8.5 Bed Rail Assembly, Middle Rear



250038D

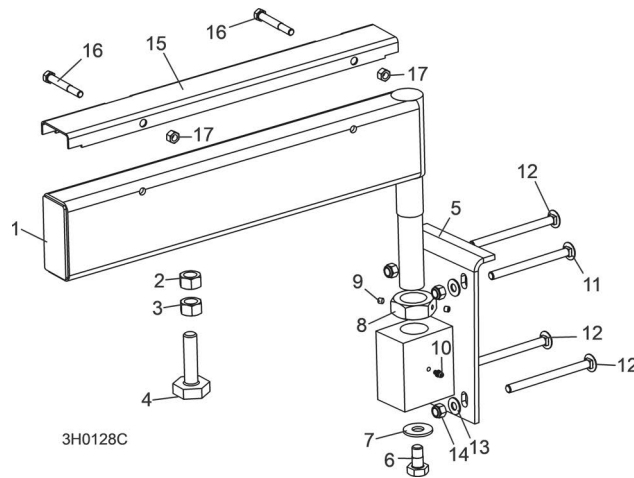
REF	PART #	DESCRIPTION	COMMENTS	QTY.
	A09565	BED RAIL ASSEMBLY, REAR MIDDLE		1
1	014640	Bed Rail Tube, Short	Available in assemblies only.	1
2	014639	Block, Log Stop w/Threaded Hole	Available in assemblies only.	1
3	F05007-17	Bolt, 3/8-16 x 1 1/2 Full Thead Hex Head		1
4	F05010-29	Nut, 3/8-16 Hex Jam		1
5	S04030	Pin, Ramp Mount		1
6	S09334	Tube, Ramp Retainer Mount	Available in assemblies only.	1
7	F05010-84	Nut, 5/8-11 Pilot Weld		2
8	F05010-5	Nut, 5/8-11 Hex		2
9	S13006	Bolt, Bed Rail Adjustment		2
10	S04058	Plate, Bed Rail End Cap	Available in assemblies only.	2
11	F05008-78	BOLT, 1/2-13 X 4" HEX HEAD GRADE 5		2
12	F05011-2	WASHER, 1/2" SAE FLAT		4
13	F05010-8	NUT, 1/2-13 NYLON LOCK		2
	A09956	COVER ASSEMBLY, STAINLESS STEEL BED RAIL (LONG)		1
14	S09944	Cover, Stainless Steel Bed Rail	Available in assemblies only.	1
15	F05006-10	Bolt, 5/16-18 X 2 1/2" Hex Head		3
16	F05010-6	Nut, 5/16-18 Hex Lock		3
17	015970	WRENCH, BED RAIL ADJUSTMENT		1

8.6 Leg Assembly



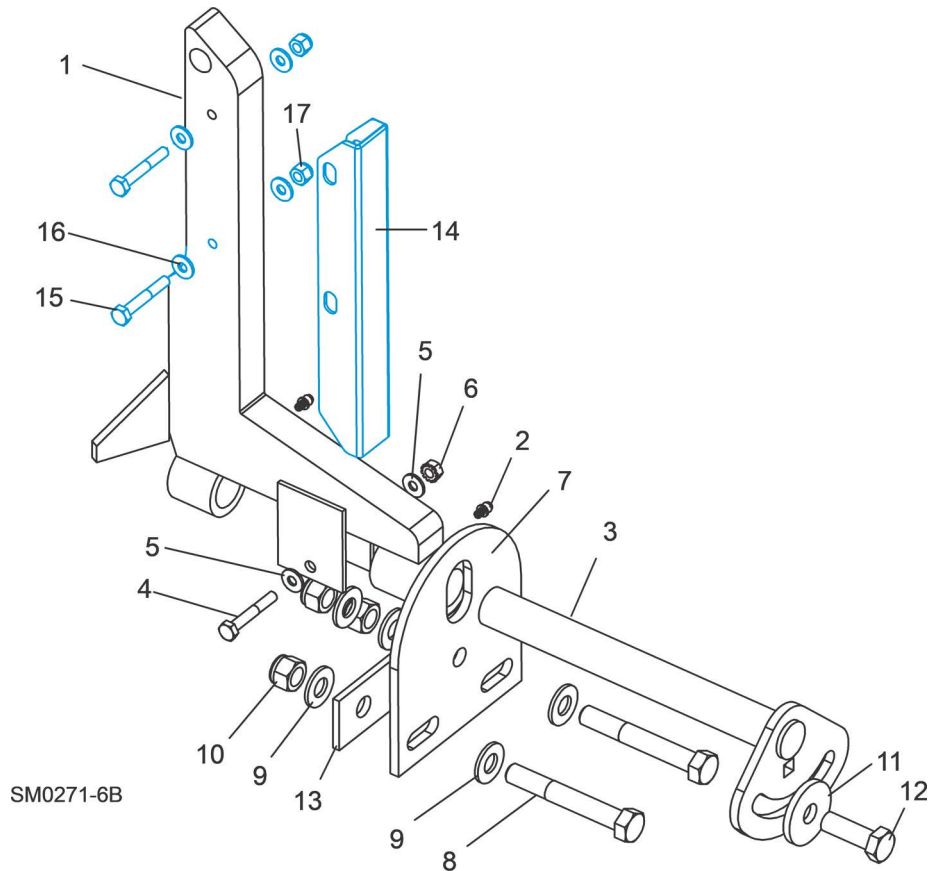
REF	PART #	DESCRIPTION	COMMENTS	QTY.
		<i>See Form #847</i> or diagram below for stationary sawmill foot anchor locations		
		<i>See Form #359</i> for stationary sawmill w/bed extension foot anchor locations		
1	W09513	LEG, LONG STATIONARY		3
2	015091	LEG, LONG STATIONARY W/BOARD RETURN TABLE BRACKET		1
3	F05007-113	BOLT, 3/8-16 X 5" CARRIAGE HEAD		12
4	F05007-2	BOLT, 3/8-16 X 1 1/4" HEX HEAD		4
5	F05011-3	WASHER, 3/8" SAE FLAT		16
6	F05010-10	NUT, 3/8-16 HEX NYLON LOCK		16
7	W09515	LEG, SHORT STATIONARY		2
8	F05007-2	BOLT, 3/8-16 X 1 1/4" HEX HEAD		8
9	F05010-10	NUT, 3/8-16 HEX NYLON LOCK		8
10	W09517	LEG, FRONT STATIONARY		1
11	065935	Leg Weldment, Festoon Stationary Front		1
12	F05008-88	Bolt, 1/2-13 x 1 3/4" Full Thread Hex Head Grade 5		1
13	F05010-3	Nut, 1/2-13 Swaged Hex		1
14	F05010-35	Nut, 1/2-13 Free Hex		1
15	F05011-2	Washer, 1/2" SAW Flat		2
16	F05011-9	Washer, 1/2" Split Lock		1
17	F05009-11	BOLT, 5/8-11 X 5 1/2" HEX HEAD GRADE 5		2
18	F05010-4	NUT, 5/8-11 HEX LOCK		2

8.7 Pivot Bed Rail Assembly



REF	PART #	DESCRIPTION	COMMENTS	QTY.
	A13015	PIVOT BED RAIL ASSEMBLY (LT28)		2
	012993	PIVOT BED RAIL ASSEMBLY		2
1	W13014	Pivot Bed Rail Weldment (LT28)	Available in assemblies only.	1
	012992	Pivot Bed Rail Weldment ()	Available in assemblies only.	1
2	F05010-84	Nut, 5/8-11 Pilot Weld		2
3	F05010-5	Nut, 5/8-11 Hex		2
4	S13006	Bolt, Bed Rail Adjustment		2
5	W13090	Bracket, Pivot Rail Mounting		1
6	F05008-50	Bolt, 1/2-13 x 1" Hex Head Grade 2		1
7	F05011-52	Washer, 9/16" SAE Flat		1
8	S13016	Nut, Pivot Rail Adjustment		1
9	F05005-42	Screw, 1/4-28 x 1/4" Brass Tip Set		2
10	P04107	Fitting, 3/16" Grease		1
11	F05007-114	BOLT, 3/8-16 X 4 3/4" CARRIAGE HEAD		2
12	F05007-113	BOLT, 3/8-16 X 5" CARRIAGE HEAD		6
13	F05011-3	WASHER, 3/8" SAE FLAT		8
14	F05010-10	NUT, 3/8-16 NYLON LOCK		8
	017710	COVER KIT, PIVOT RAIL STAINLESS STEEL (LT28)		2
	015926	COVER KIT, PIVOT RAIL STAINLESS STEEL ()		2
15	S13012	Cover, Stainless Steel Pivot Bed Rail (LT28)		1
	012994	Cover, Stainless Steel Pivot Bed Rail ()		1
16	F05006-10	Bolt, 5/16-18 X 2 1/2" Hex Head		2
17	F05010-6	Nut, 5/16-18 Hex Lock		2
	015970	WRENCH, BED RAIL ADJUSTMENT		1

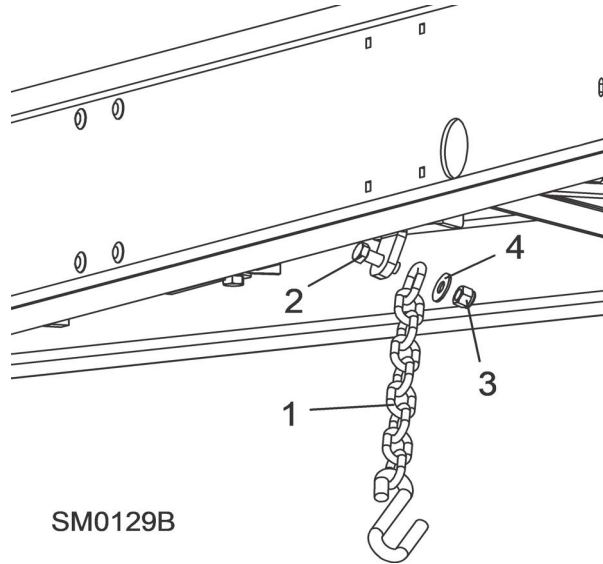
8.8 Log Side Support Assembly



REF	PART #	DESCRIPTION	COMMENTS	QTY.
1	015235	SUPPORT, LOG SIDE		4
2	P04107	Fitting, 3/16" Grease		2
	016559	MOUNTING KIT, LOG SIDE SUPPORT		4
3	016544	Pin, Log Side Support Pivot		1
4	F05005-4	Bolt, 1/4-20 X 1 1/2" Hex Head Grade 5		1
5	F05011-11	Washer, 1/4" SAE Flat		2
6	F05010-9	Nut, 1/4-20 Self Locking		1
7	016555	Plate, Log Side Support End		1
8	F05008-61	Bolt, 1/2-13 X 3 1/2" Hex Head Grade 5		2
9	F05011-2	Washer, 1/2" SAE Flat		5
10	F05010-8	Nut, 1/2-13 Hex Nylon Lock		3
11	014632	Washer, .52" x 1.69"		1
12	F05008-33	Bolt, 1/2-13 X 1 1/2" Hex Head Grade 5		1
13	016558	Plate, Side Support Washer Clamp		1
	016562	ROLLER KIT, SIDE SUPPORT		4
14	016561	Roller, Side Support		2
15	F05011-5	Washer, 5/8" SAE Flat	Additional 5/8" SAE Flat Washer F05011-5 may be required on each side of side support to provide clearance for optional stainless steel side support guards. Extra washers are included in the stainless steel guard retrofit kit (016798).	6
16	F05009-118	Bolt, 5/8-11 x 3 3/4" Hex Head Grade 5		1

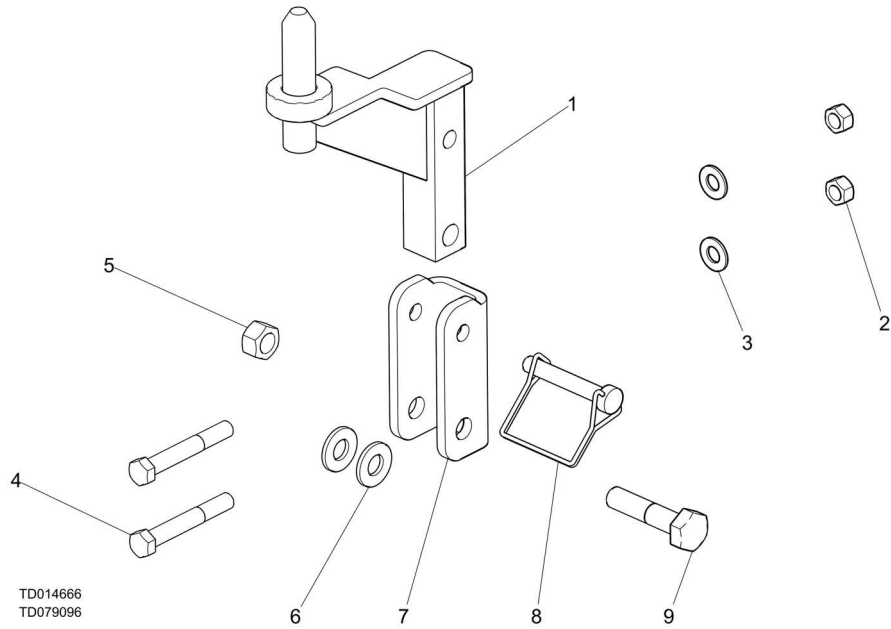
REF	PART #	DESCRIPTION	COMMENTS	QTY.
17	F05010-96	Nut, 5/8-11 Hex Nylon Lock Jam		1
18	016560	Bushing, Bronze 5/8" x 1" x 3/4"		2
	F05008-94	Bolt, 1/2-13 x 3 1/2" Carriage Head		1
	016562-526	Instruction Sheet, Side Support Roller		1
	016798	GUARD KIT, STAINLESS STEEL SIDE SUPPORT (OPTIONAL)		1
19	016722	Guard, Stainless Steel Side Support		4
20	F05005-4	Bolt, 1/4-20 x 1 3/4" Hex Head		8
21	F05011-11	Washer, 1/4" SAE Flat		16
	F05011-5	Washer, 5/8" SAE Flat	Additional 5/8" SAE Flat Washer F05011-5 may be required on each side of side support to provide clearance for optional stainless steel side support guards. Extra washers are included in the stainless steel guard retrofit kit (016798).	4
22	F05010-69	Nut, 1/4-20 Hex Nylon Lock		8
	016798-1005	Instruction Sheet, Stainless Steel Side Support Guard Retro		1

8.9 Safety Chain Assembly



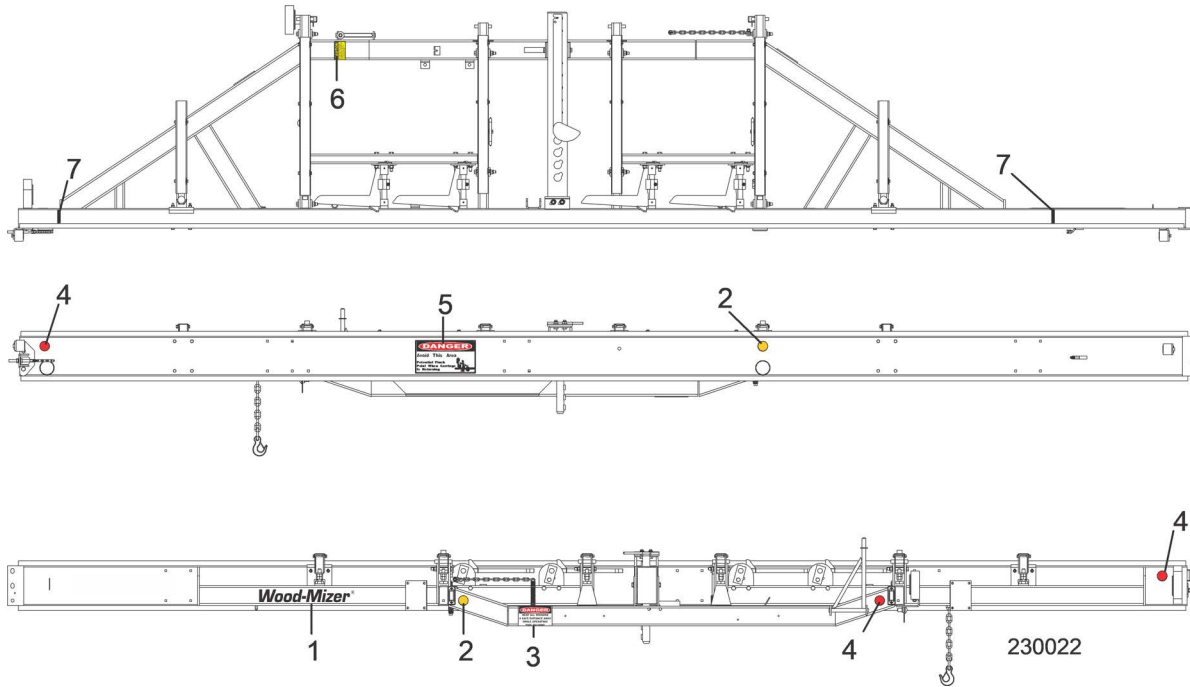
REF	PART #	DESCRIPTION	COMMENTS	QTY.
1	107972	CHAIN, 15 INCH SAFETY		1
2	F05008-33	BOLT, 1/2-13X1 1/2 HEX HEAD GRADE 5		1
3	F05010-8	NUT, 1/2-13 NYLON HEX LOCK		1
4	F05011-35	WASHER, 7/16 STANDARD FLAT		1

8.10 Rest Pin Assembly



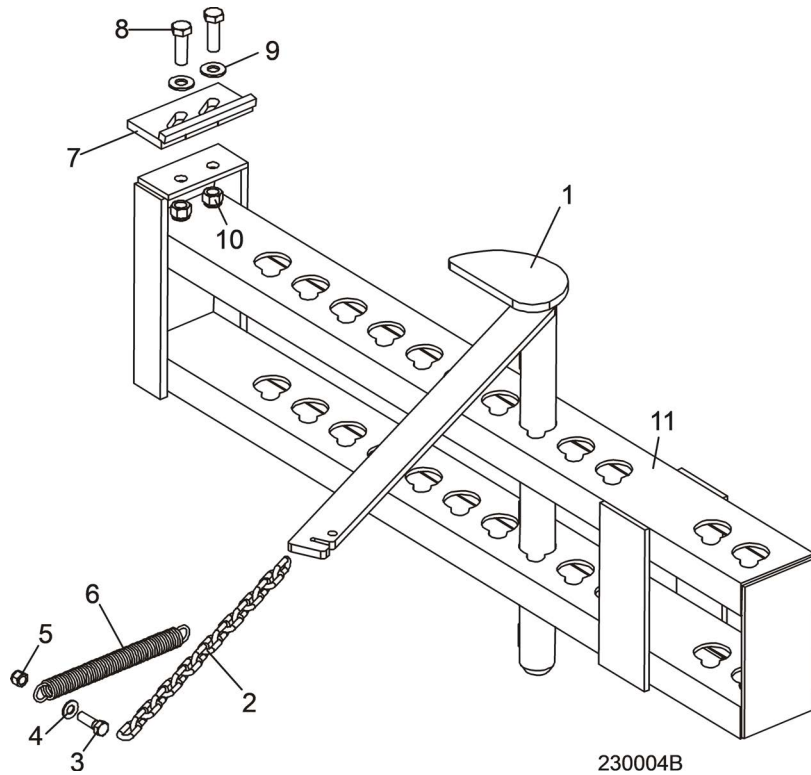
REF	PART #	DESCRIPTION	COMMENTS	QTY.
	079096	Pin Assy, Rest, Manual	ECN:21293	1
1	074980	Pin Wldmt, C-Frame Rest, Manual		1
2	f05010-25	Nut, 3/8-16 Swaged		2
3	f05011-3	Washer, 3/8 Flat SAE		2
4	f05007-206	BOLT, 3/8-16X2 3/4 HH Gr5		2
5	f05010-3	NUT, 1/2-13 SWAGED HEX		1
6	f05011-2	Washer, 1/2 SAE Flat		2
7	110557	Bracket, Rest Pin Mount		1
8	014151	Pin, 3/8x2 1/4 SQ Wire Lock		1
9	f05008-10	Bolt, 1/2-13x2 1/4 Hex Head GR5		1

8.11 Bed Frame Decals



REF	PART #	DESCRIPTION	COMMENTS	QTY.
1	S12281	DECAL, WOOD-MIZER LOGO		1
1	014751	DECAL, WOOD-MIZER SUPER LOGO		1
2	P07453	DECAL, AMBER REFLECTIVE 2" ROUND		2
3	S09851	DECAL, KEEP AWAY DANGER		1
4	P07452	DECAL, RED REFLECTIVE 2" ROUND		3
5	P10287	DECAL, PINCH POINT DANGER		1
6	S12581	DECAL, SAW HEAD REST CAUTION		1
7	S12051	DECAL, LOG LIMIT STRIPE		2

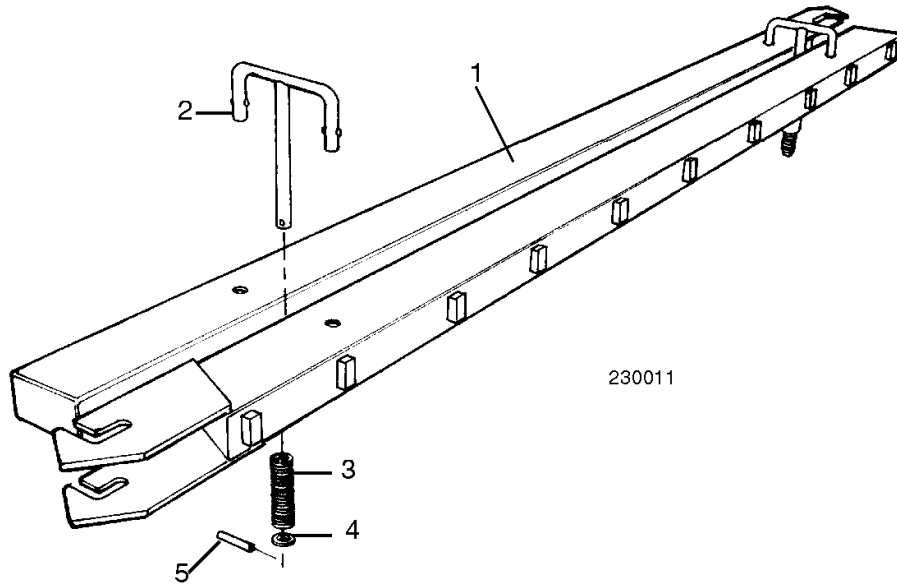
8.12 Log Clamp



230004B

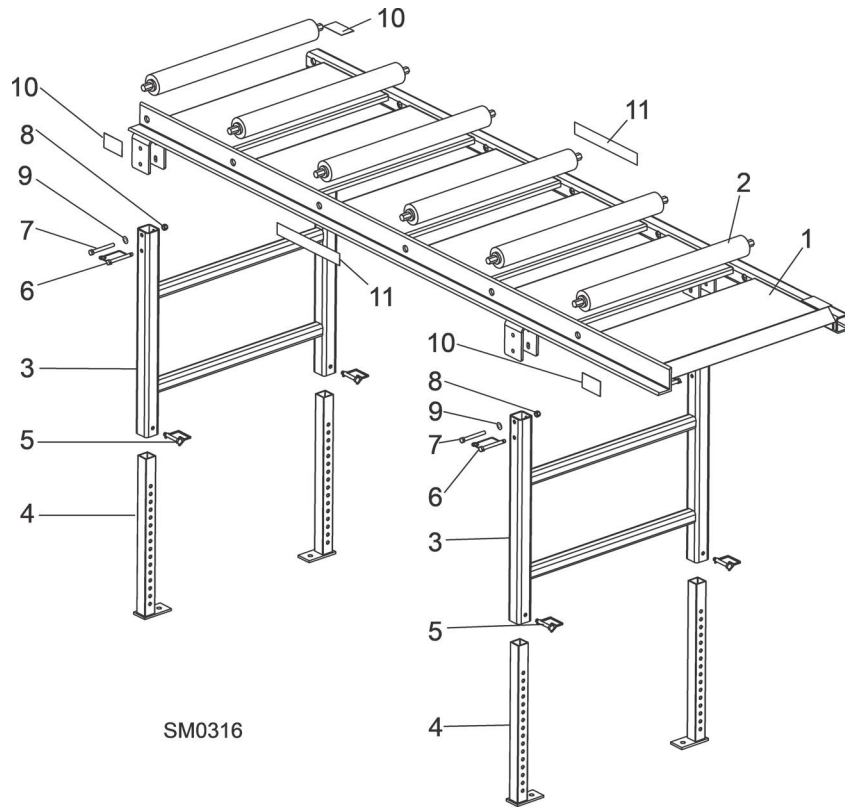
REF	PART #	DESCRIPTION	COMMENTS	QTY.
1	W09412	CLAMP, LOG		1
2	M04311	CHAIN, LOG CLAMP		1
3	F05007-2	BOLT, 3/8-16 X 1 1/4" HEX HEAD GRADE 2		1
4	F05011-3	WASHER, 3/8" STANDARD FLAT		2
5	F05010-10	NUT, 3/8-16 HEX NYLON LOCK		1
6	P09136	SPRING, LOG CLAMP CHAIN		1
7	W09404	PLATE, LOG CLAMP STOP		1
8	F05008-33	BOLT, 1/2-13 X 1 1/2" HEX HEAD GRADE 5		2
9	F05011-2	WASHER, 1/2" SAE FLAT		2
10	F05010-8	NUT, 1/2-13 HEX NYLON LOCK		2
11	W09310	CHANNEL WELDMENT, MANUAL LOG CLAMP		1

8.13 Log Loading Ramps



REF	PART #	DESCRIPTION	COMMENTS	QTY.
	K09466	RAMP KIT, LOG LOADING WITH RETAINERS		1
1	W09014	Ramp, Log Loading		2
	K09810	Retainer Kit, Log Ramp		2
2	W09413	Retainer, Log Ramp	Available in assemblies only.	1
3	P09335	Spring, Log Ram Retainer		1
4	F05011-19	Washer, 5/8" I.D. x .100" Thick Nylon		1
5	F05012-11	Pin, 3/16" x 1" Roll		1

8.14 Board Outfeed Table (Optional)



REF	PART #	DESCRIPTION	COMMENTS	QTY.
	016652	TABLE ASSEMBLY, BOARD OUTFEED		1
1	016606	Table Weldment, Board Outfeed		1
2	038167	Roller, 2 1/2" x 25"		6
3	016609	Mount Weldment, Outfeed Table Leg		2
4	016651	Leg Weldment, Outfeed Table		4
5	014151	Pin, 3/8" x 2 1/4" Square Wire Lock		4
6	016677	Pin, Snap - Coil Tension		4
7	F05007-135	Bolt, 3/8-16 x 3 1/4" Hex Head		4
8	F05010-10	Nut, 3/8-16 Hex Nylon Lock		4
9	S12641	Decal, Hand Pinch Point Warning		4
10	016991	Decal, 1 1/2" Wood-Mizer Logo		2

SECTION 9 MISCELLANEOUS

9.1 Replacement Manuals



REF	DESCRIPTION (◆ Indicates Parts Available In Assemblies Only)	PART #	QTY.
Wood-Mizer Product Information			
1	ALL-PRODUCTS CATALOG	PS750	1
Basic Sawmill Manuals			
2	TRU-SHARP BLADE HANDBOOK	M600	1
3	WOOD-MIZER GENERAL INFORMATION	M601	1
4	LT28 OPERATOR'S MANUAL	M1643	1
5	LT28 PARTS MANUAL	M1642	1
Power Option Manuals			
6	G18 ENGINE OPTION MANUAL (LT28)	M1342	1
7	D17 ENGINE OPTION MANUAL (LT28)	M1633	1
8	D19 ENGINE OPTION MANUAL (LT28)	M1350	1
9	G25 ENGINE OPTION MANUAL (LT28)	M1352	1
Trailer Option Manuals			
10	STANDARD TRAILER OPTION	M793	1
Miscellaneous Option Manuals			
11	MANUAL WINCH OPTION MANUAL	M619-23	1
12	LOG TURNER OPTION MANUAL	M620	1
13	MANUAL TOE BOARD OPTION MANUAL	M627	1
14	SHINGLE/LAPSIDER OPTION MANUAL	M621	1
15	RESAW ATTACHMENT OPTION MANUAL	M263	1
16	BED EXTENSION OPTION MANUAL	M294	1
17	LATHE-MIZER OPTION MANUAL	M1337	1