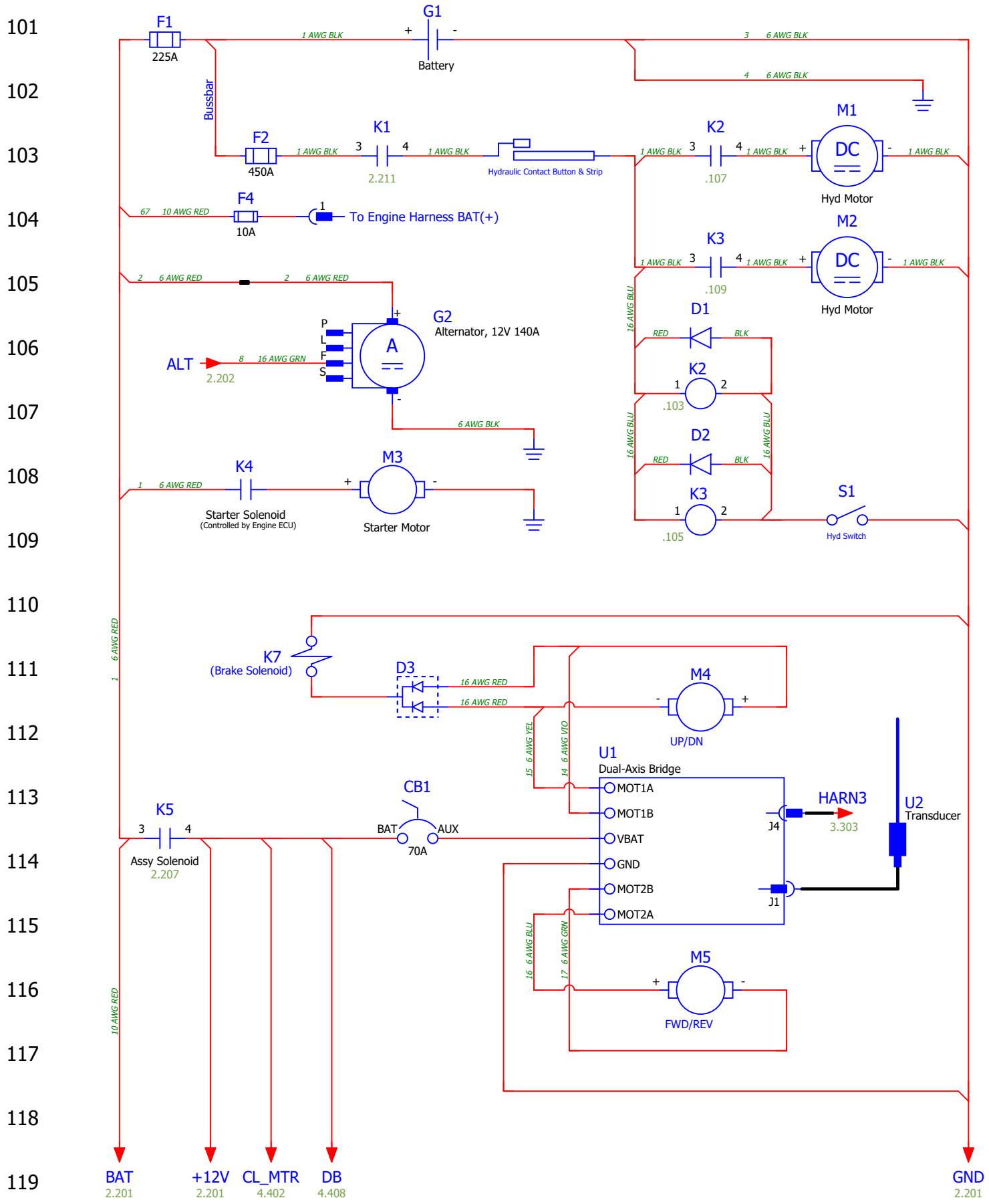
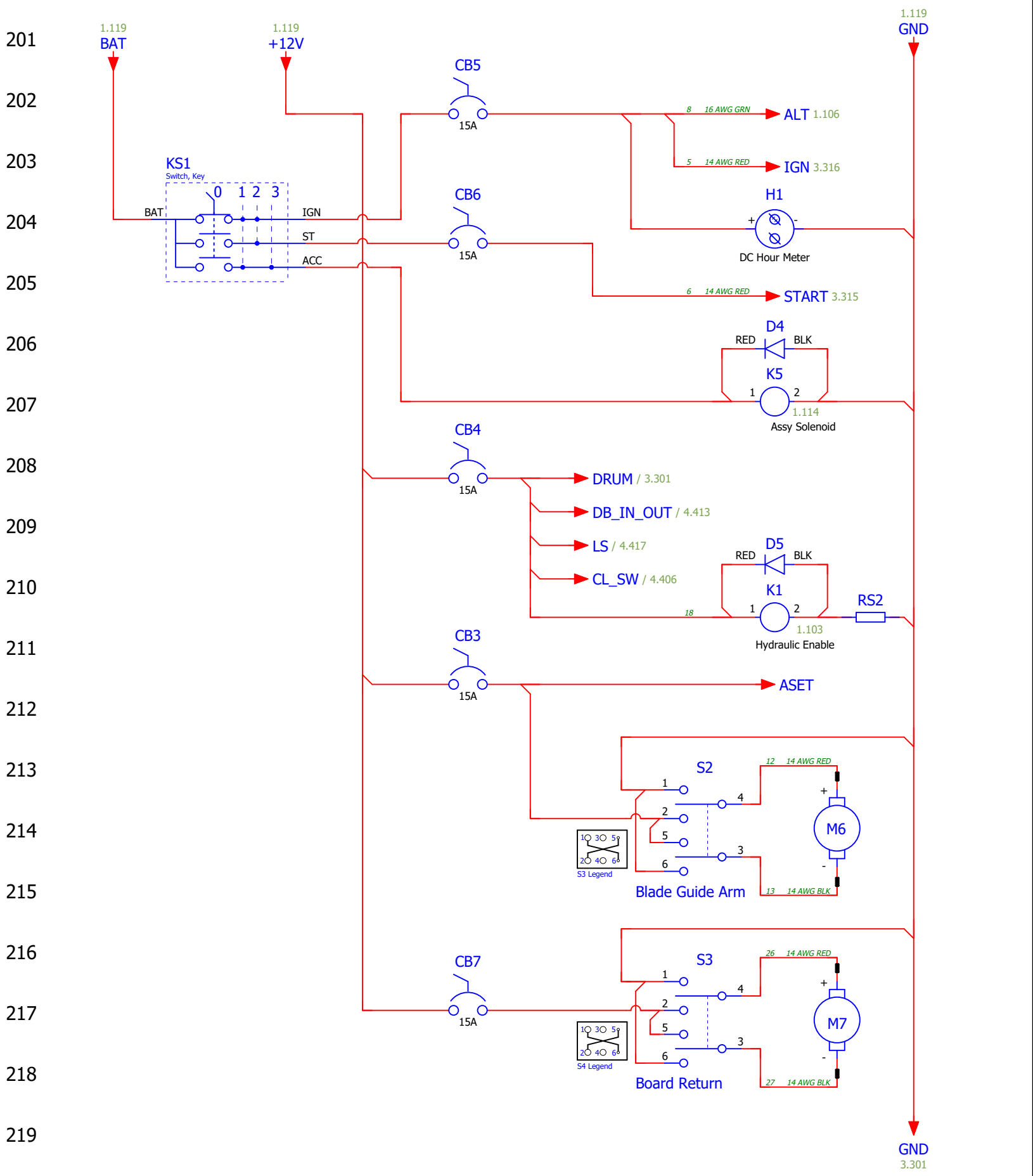


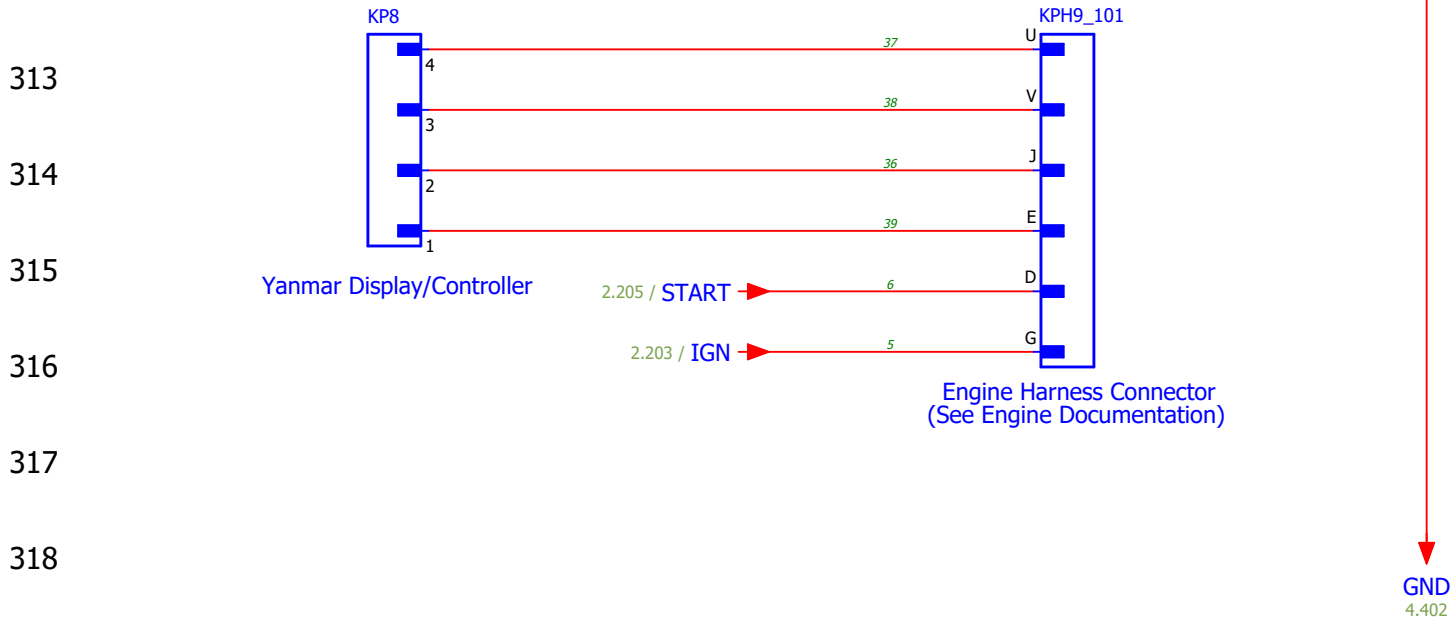
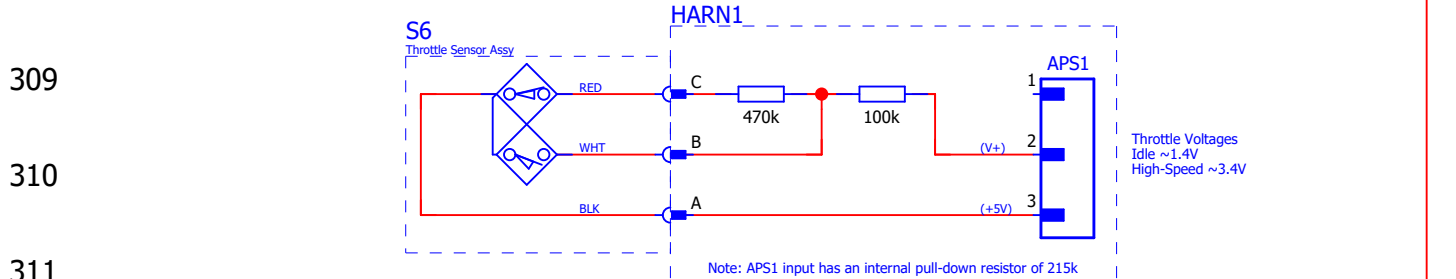
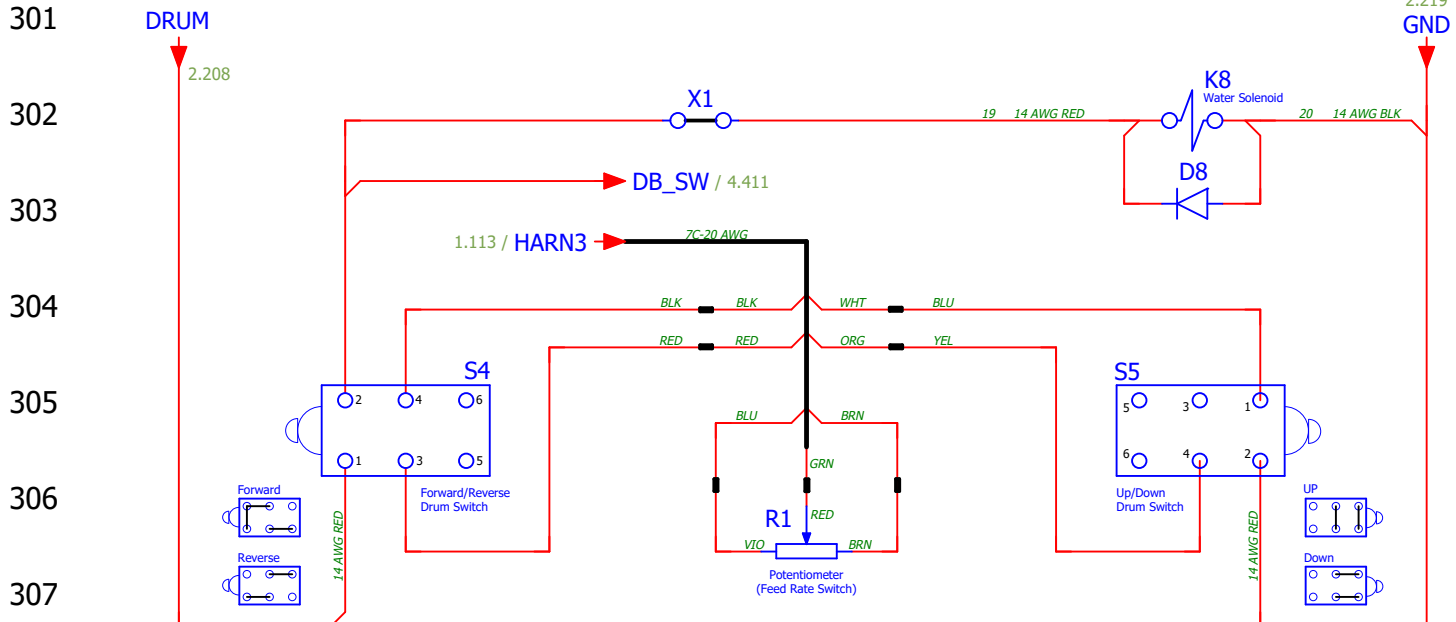
## **APPENDIX A D35S ELECTRICAL INFORMATION**

**LT40HD Super  
LT50HD**

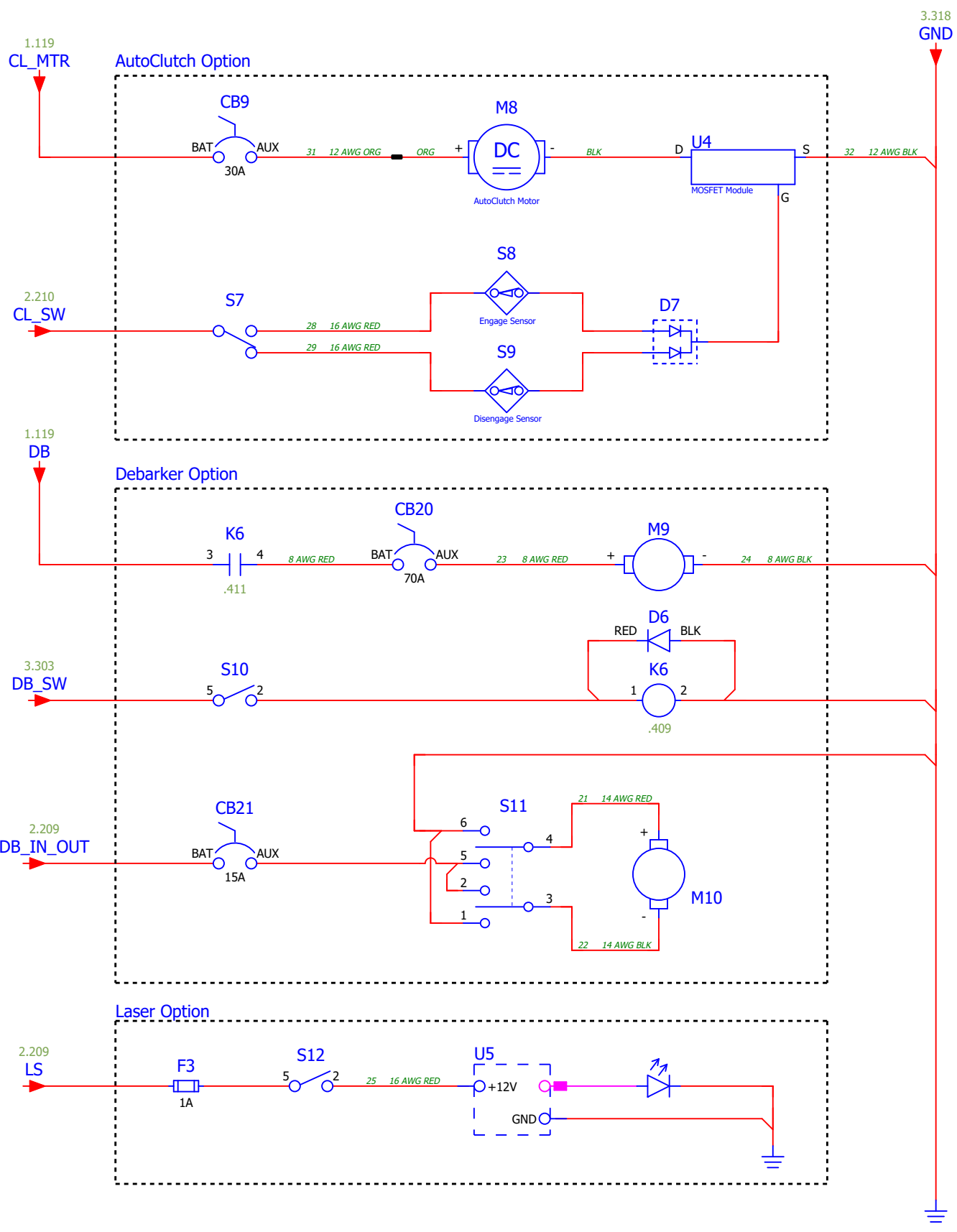
**Rev. K4.00+  
Rev. A6.00+**








401  
402  
403  
404  
405  
406  
407  
408  
409  
410  
411  
412  
413  
414  
415  
416  
417  
418  
419  
420  
421



# Device Tag/Parts List

Device tag	Function	Wood-Mizer Part Number	Wood-Mizer Description	Qty.	X-Ref
CB1	Up/Down & Fwd/Rev Breaker	015527	Circuit Breaker, 70A	1	1.114
CB3	Circuit Breaker	E20430	Breaker, 15A Manual Reset	1	2.212
CB4	=	E20430	Breaker, 15A Manual Reset	1	2.208
CB5	=	E20430	Breaker, 15A Manual Reset	1	2.202
CB6	=	E20430	Breaker, 15A Manual Reset	1	2.204
CB7	=	E20430	Breaker, 15A Manual Reset	1	2.217
CB9	=	E20431	Breaker, 30A Manual Reset	1	4.403
CB20	Debarker Motor Breaker	015527	Circuit Breaker, 70A	1	4.409
CB21	Circuit Breaker	E20430	Breaker, 15A Manual Reset	1	4.413
D1	Protection Diode	015426	Diode Assy, Solenoid Coil Chassis GND	1	1.106
D2	=	015426	Diode Assy, Solenoid Coil Chassis GND	1	1.108
D3	Diode OR	069678	Wire Assembly, Up_Dn Brake Diode OR	1	1.111
D4	Protection Diode	015426	Diode Assy, Solenoid Coil Chassis GND	1	2.206
D5	=	015426	Diode Assy, Solenoid Coil Chassis GND	1	2.210
D6	=	015426	Diode Assy, Solenoid Coil Chassis GND	1	4.410
D7	Diode OR	061052	Wire Assembly, MOSFET Gate Diode OR	1	4.406
D8	Protection Diode	015426	Diode Assy, Solenoid Coil Chassis GND	1	3.303
F1	Starter Fuse	053339	MEGA Fuse 225A	1	1.101
F2	Hydraulic Fuse	053340	MEGA Fuse 450A	1	1.103
F3	Laser Fuse	024150-1	Fuse, 1A ATO Blade Dark Grey	1	4.417
F4	Engine ECU Fuse	024150-10	Fuse, 10A ATO Blade Red	1	1.104
G1	Battery	P12315	Battery, 12V 24M-7 (8800MF)	1	1.101
G2	Alternator	046428	Alternator, 12V 140A	1	1.105
H1	Hour Meter	015401	Digital Meter, Hour Rect Mount w/Gasket	1	2.204
HARN1	Tier 4 Throttle Resistor Harness	073780	Resistor Assy, Tier 4 Magnetic Throttle	1	3.309
K1	Hydraulic Enable Solenoid	015470	Solenoid, 200A 12V SPST Cont. Duty	1	2.211
K2	Hydraulic Solenoid	015470	Solenoid, 200A 12V SPST Cont. Duty	1	1.107
K3	=	015470	Solenoid, 200A 12V SPST Cont. Duty	1	1.109
K5	Accessory Solenoid	078091	Solenoid, 150A 12 SPST Cont. Duty IP66	1	2.207
K6	Debarker Solenoid	078091	Solenoid, 150A 12 SPST Cont. Duty IP66	1	4.411
KS1	Key Switch	P04350	Switch, key	1	2.205
M1	Hydraulic Motor	038683	Motor, Hyd Pump	1	1.103
M2	=	038683	Motor, Hyd Pump	1	1.105
M4	Up/Down Motor	053682	Motor, 1HP 12VDC TEFC Leeson	1	1.112
M5	FWD/REV Motor	024169	Motor, 3/4HP 12VDC TEFC Leeson	1	1.116
M6	Blade Guide Motor	079223	Motor Assy, 1/30HP 12V Gear w/ Deutsch	1	2.214
M7	Board Return Motor	079223	Motor Assy, 1/30HP 12V Gear w/ Deutsch	1	2.217
M8	Auto Clutch Motor	016706	Motor, 12VDC Leeson TruTorq	1	4.403
M9	Debarker Motor	023688	Motor, 3/4HP 12VDC TEFC Leeson, MKII	1	4.409
M10	Debarker In/Out Motor	079223	Motor Assy, 1/30HP 12V Gear w/ Deutsch	1	4.413
R1	Feed Rate Switch	024450	Pot Assy, Feed Rate Control Sawmill	1	3.306
RS2	Voltage Drop Resistor	024451	Wire Assy, Hyd Solenoid Voltage Drop	1	2.211
S1	Hydraulic Engage Switch	024198	Switch, Hydraulic Micro	1	1.109
S2	Blade Guide Arm Switch	024200	Switch, DPDT Toggle 21A Rev Mom Spade	1	2.215
S3	Board Return Switch	024200	Switch, DPDT Toggle 21A Rev Mom Spade	1	2.218
S4	Fwd/Rev Drum Switch	E20439	Drum Switch, P/F	1	3.305
S5	Up/Down Drum Switch	E20440	Drum Switch, U/D	1	3.305
S6	Tier 4 Throttle Sensor	073599	Switch Assy, Tier 4 Magnetic Throttle	1	3.309
S8	Magnetic Engage Sensor/Switch	024627	Switch, Proximity Magnetic Reed	1	4.405
S9	Magnetic Disengage Sensor/Switch	024627	Switch, Proximity Magnetic Reed	1	4.406
S10	Debarker On/Off Switch	P03027	Switch, SPST ON/OFF 15A Toggle	1	4.411
S11	Debarker In/Out Switch	024200	Switch, DPDT Toggle 21A Rev Mom Spade	1	4.414
S12	Laser On/Off Switch	P03027	Switch, SPST ON/OFF 15A Toggle	1	4.417
U4	MOSFET Module	024618	Module, MOSFET	1	4.403

		<b>Wood-Mizer®</b>	
Project Description: LT40/50HDD35.9 Tier 4			
Revision:		Pg Desc: Parts list	
Mounting Location: C1		Type: Parts list	
Prev. pg: 4	Page: C1	Next pg:	Total Pgs: 5