

MultiHead

Water Lube Option

November 1994

Form #707

Table of Contents

Section-Page

SECTION 1	BOTTLE WATER LUBE OPTION	1-1
1.1	Bottle Water Lube Installation	1-1
SECTION 2	PARTS LIST	2-1
2.1	Bottle Water Lube Option	2-1

SECTION 1 BOTTLE WATER LUBE OPTION

1.1 Bottle Water Lube Installation

The MultiHead is equipped with water lines routed to each saw blade. A hook-up for a standard water hose is located at the rear of the saw. When sawing wood, it is beneficial to run water on the blades to prevent sap buildup. Sap buildup will lead to slower feed rates and premature blade breakage.

In the event a pressurized water system is not available in the area, an optional water lube bottle should be installed to each saw head. The gravity-type drip system will provide water to each blade.

See Figure 1-1.

1. Install the fittings to each bottle as shown below.

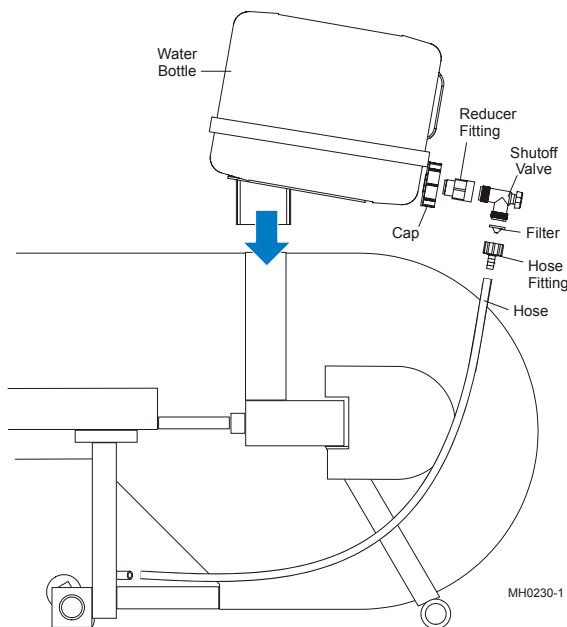


FIG. 1-1. OPTIONAL BOTTLE WATER LUBE ASSEMBLY.

2. Remove the lid and fill the bottle with water to 1" (2.5 cm) from the top.
3. Replace the lid. Make sure the valve is closed and hang the tank assembly from the vertical support tube above the saw blade tensioning assembly.
4. Connect the plastic hose to the fitting on the bottle and the tube provided at the outside blade guide assembly.
5. Prior to the start of the saw, open the valve on each water bottle to allow a small stream of water to run on the blade. Use just enough water to prevent sap from building up on the blade.

WARNING! Never use flammable fuels or liquids instead of water with this accessory. If these type of liquids are necessary to clean the blade, remove it and clean with a rag.

2 Parts List

Bottle Water Lube Option

SECTION 2 PARTS LIST

2.1 Bottle Water Lube Option				
REF	DESCRIPTION (◆ Indicates Parts Available In Assemblies Only)	PART #	QTY.	
	Lube Assy, MultiHead Water	A22327	1	
1	Bottle Assy, Water Lube w/Cap	014642 ¹	1	
2	Fitting, 3/4FPT x 3/4 MPT	014636	1	
3	Fitting, Water Lube Shutoff Valve	014100	1	
4	Filter, Water Lube	016086	1	
5	Fitting, 5/8" NPT to 3/8" Hose Barb	014113	1	
6	Tubing, Water Lube 3/8" I.D.	R01885	4.5 ft.	
7	Tray Weldment, Water Bottle	W04729	1	
8	Screw, #10-24 x 1 3/4" Socket Head	F05004-192	1	
9	Nut, #10-24 Self-Locking Hex	F05010-14	1	

¹ Use Water Bottle Assembly w/Cap 014642 to service all bottle/cap combinations previously supplied. Bottle 014367, 61mm Cap 014773 and 70mm Cap 036744 no longer available separately.

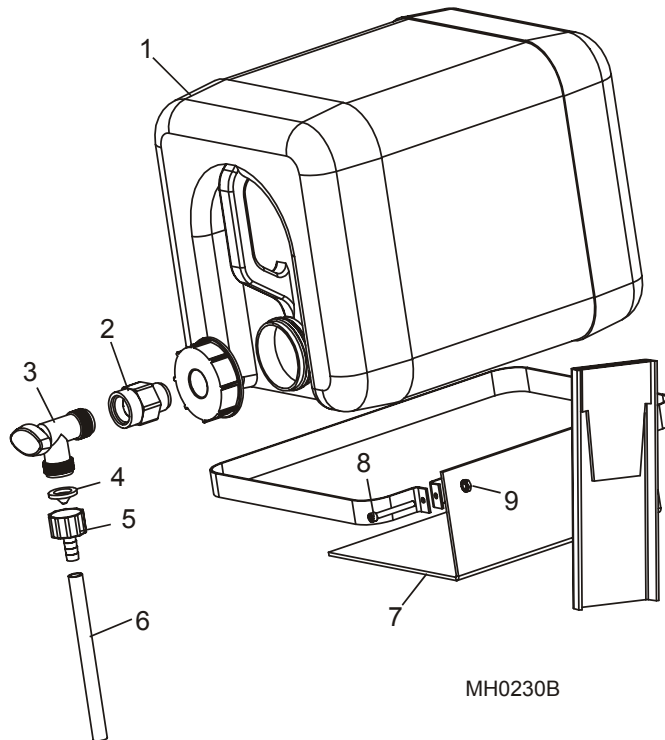


FIG. 2-1. BOTTLE WATER LUBE OPTION.

2

Parts List

Bottle Water Lube Option
