

Parts Manual

WM4000

rev. A1.00 - B3.01



Safety is our #1 concern! Read and understand all safety information and instructions before operating, setting up or maintaining this machine.

February 2013

Form #2016

California
Proposition 65 Warning



WARNING: Breathing gas/diesel engine exhaust exposes you to chemicals known to the State of California to cause cancer and birth defects or other reproductive harm.

- Always start and operate the engine in a well-ventilated area.
- If in an enclosed area, vent the exhaust to the outside.
- Do not modify or tamper with the exhaust system.
- Do not idle the engine except as necessary.

For more information go to **www.P65warnings.ca.gov**.



WARNING: Drilling, sawing, sanding or machining wood products can expose you to wood dust, a substance known to the State of California to cause cancer. Avoid inhaling wood dust or use a dust mask or other safeguards for personal protection.

For more information go to **www.P65Warnings.ca.gov/wood**.

©2019

Printed in the United States of America, all rights reserved. No part of this manual may be reproduced in any form by any photographic, electronic, mechanical or other means or used in any information storage and retrieval system without written permission from

Wood-Mizer
8180 West 10th Street
Indianapolis, Indiana 46214

Table of Contents

Section-Page

SECTION 1	GENERAL INFORMATION	1-1
1.1	How To Use The Parts List	1-1
1.2	Sample Assembly	1-1
SECTION 2	BLADE GUIDES & ARM	2-1
2.1	Blade Guides (Roller/Block, Standard).....	2-1
	<i>WM4000Rev. A2.00+</i>	
2.2	Blade Guide Kit (Roller/Block, Standard)	2-1
	<i>WM4000Rev. A1.00</i>	
2.3	Blade Guide Kit (Block, Optional).....	2-2
2.4	Blade Guide Assembly, Idle Side (Roller/Block, Standard)	2-3
	<i>WM4000Rev. A2.00+</i>	
2.5	Blade Guide Assembly, Idle Side (Roller/Block, Standard)	2-5
	<i>WM4000Rev. A1.00</i>	
2.6	Blade Guide Assembly, Idle Side (Block, Optional)	2-8
2.7	Blade Guide Assembly, Drive Side (Roller/Block, Standard)	2-10
	<i>WM4000Rev. A2.00+</i>	
2.8	Blade Guide Assembly, Drive Side (Roller/Block, Standard)	2-12
	<i>WM4000Rev. A1.00</i>	
2.9	Blade Guide Assembly, Drive Side (Block, Optional).....	2-15
2.10	Blade Guide Arm.....	2-17
SECTION 3	BLADE WHEELS & TENSIONER	3-1
3.1	Drive Shaft Assembly.....	3-1
3.2	Idle Shaft/Brake Drum	3-2
3.3	Blade Wheel Kit, Belted (Standard).....	3-3
3.4	Blade Wheel Kit, Crowned (Optional).....	3-5
3.5	Brake Assembly.....	3-7
SECTION 4	SAW HEAD	4-1
4.1	Board Return	4-1
4.2	Board Return Guide.....	4-2
4.3	Covers & Sawdust Chute.....	4-3
4.4	Blow-Off Assembly.....	4-5
4.5	Laser Assembly	4-6
4.6	Decals	4-8
	<i>WM4000Rev. A5.01+</i>	
4.7	Decals	4-9
	<i>WM4000Rev. A1.00 - A5.00</i>	
4.8	Head/Air Box Control Assembly	4-10
4.9	Blade Motor Drive Assembly.....	4-13

Table of Contents

Section-Page

SECTION 5	UP/DOWN SYSTEM	5-1
5.1	Mast Pads & Rollers.....	5-1
5.2	Bearing Rails.....	5-3
5.3	Up/Down Ballscrew Drive.....	5-4
5.4	Ballscrew Mount (Middle).....	5-6
5.5	Ballscrew Mount (Top).....	5-8
5.6	Head Stop.....	5-9
5.7	Up/Down Energy Chain Assembly.....	5-10
	<i>WM4000Rev. A1.00+</i>	
SECTION 6	POWER FEED	6-1
6.1	Upper Track Rollers.....	6-1
6.2	Lower Track Rollers.....	6-3
6.3	Power Feed Drive.....	6-5
	<i>WM4000Rev. B1.01+</i>	
6.4	Power Feed Drive.....	6-7
	<i>WM4000Rev. A1.00 - B1.00</i>	
6.5	Feed Chain & Stops.....	6-9
6.6	Lower Wireway.....	6-10
SECTION 7	BED FRAME	7-1
7.1	Bed Rail (#7).....	7-1
7.2	Bed Rail (#6).....	7-2
7.3	Bed Rail (#3).....	7-3
7.4	Bed Rail (#1, #2, #4 & #5).....	7-4
7.5	Fork Tube Assembly & Shim Kit.....	7-5
SECTION 8	HYDRAULICS	8-1
8.1	Hydraulic Side Supports.....	8-1
8.2	Hydraulic Log Turner.....	8-3
	<i>WM4000Rev. A1.00+</i>	
8.3	Hydraulic Log Clamp.....	8-5
8.4	Hydraulic Toe Board (Front).....	8-7
8.5	Hydraulic Toe Board (Rear).....	8-8
8.6	Hydraulic Toe Board (Rear w/Ramp).....	8-9
8.7	Bed Conveyor.....	8-10



Table of Contents

Section-Page

8.8	Hydraulic Power Unit.....	8-12
8.9	Hydraulic Control Box	8-14
8.10	D03 Valve Manifold.....	8-15
8.11	D05 Valve Manifold.....	8-16
8.12	Power Taper Set Roller (Optional).....	8-17
	<i>WM4000 PTSR Rev. B.00</i>	
8.13	Power Taper Set Roller (Optional).....	8-19
	<i>WM4000 PTSR Rev. A.00</i>	
8.14	Hydraulic Hoses	8-21
	<i>Optional WM4000-BX6 Bed Extension Hydraulic Hoses</i>	
	<i>Optional WM4000-BX12 Bed Extension Hydraulic Hoses</i>	
	<i>Optional WM4000-BX12 Bed Extension Hydraulic Hoses (2nd Log Deck Hose Kit)</i>	
SECTION 9 MISCELLENEOUS		9-1
9.1	Lube System	9-1
	<i>WM4000 Rev. A1.00+</i>	
9.2	Tools	9-3
9.3	Manuals	9-4
9.4	Pantograph Assembly	9-5
SECTION 10 OPERATOR STATION		10-1
10.1	Frame, Rails & Ladder	10-1
10.2	Seat & Joystick Controls	10-3
10.3	Control Box Assembly	10-5
10.4	Junction Control Assembly	10-7
10.5	Cab.....	10-1
10.6	Rear Panel.....	10-2
10.7	Right Panel	10-4
10.8	Front Panel.....	10-6
10.9	Roof.....	10-8
10.10	Air Supply	10-9
10.11	Turner Down Flow Divider	10-11
10.12	Air Conditioning/Heat Assembly (Optional)	10-12
SECTION 11 PRESSURE LUBE OPTION		11-1
11.1	Pressure Lube System.....	11-1
	<i>WM4000 Rev. A1.00+</i>	

Table of Contents

Section-Page

SECTION 12	BED EXTENSION OPTION	12-1
12.1	Bed Extension Complete (BX6).....	12-1
12.2	Connection Hardware (BX6).....	12-3
12.3	Bed Extension Complete (BX12).....	12-5
12.4	Hydraulic Side Supports (BX12).....	12-6
12.5	Power Taper Set Roller Assembly (BX12)	12-8
12.6	Bed-X Control Assembly (BX12).....	12-10
12.7	Bed-X Valve Assembly (BX12).....	12-12
12.8	Directional Valve Assembly (BX12)	12-14
	INDEX	I

California

Proposition 65 Warning



WARNING: Breathing gas/diesel engine exhaust exposes you to chemicals known to the State of California to cause cancer and birth defects or other reproductive harm.

- Always start and operate the engine in a well-ventilated area.
- If in an enclosed area, vent the exhaust to the outside.
- Do not modify or tamper with the exhaust system.
- Do not idle the engine except as necessary.

For more information go to **www.P65warnings.ca.gov**.



WARNING: Drilling, sawing, sanding or machining wood products can expose you to wood dust, a substance known to the State of California to cause cancer. Avoid inhaling wood dust or use a dust mask or other safeguards for personal protection.

For more information go to **www.P65Warnings.ca.gov/wood**.

©2019

Printed in the United States of America, all rights reserved. No part of this manual may be reproduced in any form by any photographic, electronic, mechanical or other means or used in any information storage and retrieval system without written permission from

Wood-Mizer

8180 West 10th Street
Indianapolis, Indiana 46214

SECTION 1 GENERAL INFORMATION

1.1 How To Use The Parts List

- Use the table of contents or index to locate the assembly that contains the part you need.
- Go to the appropriate section and locate the part in the illustration.
- Use the number pointing to the part to locate the correct part number and description in the table.
- Parts shown indented under another part are included with that part.
- Parts marked with a diamond (◆) are only available in the assembly listed above the part.

See the sample table below. Sample Part #A01111 includes part F02222-2 and subassembly A03333. Subassembly A03333 includes part S04444-4 and subassembly K05555. The diamond (◆) indicates that S04444-4 is not available except in subassembly A03333. Subassembly K05555 includes parts M06666 and F07777-77. The diamond (◆) indicates M06666 is not available except in subassembly K05555.

1.2 Sample Assembly				
REF	DESCRIPTION (◆ Indicates Parts Available In Assemblies Only)	PART #	QTY.	
	SAMPLE ASSEMBLY, COMPLETE (INCLUDES ALL INDENTED PARTS BELOW)	A01111	1	
1	Sample Part	F02222-22	1	
	Sample Subassembly (Includes All Indented Parts Below)	A03333	1	
2	Sample Part (◆ Indicates Part Is Only Available With A03333)	S04444-4	1	◆
	Sample Subassembly (Includes All Indented Parts Below)	K05555	1	
3	Sample Part (◆ Indicates Part Is Only Available With K05555)	M06666	2	◆
4	Sample Part	F07777-77	1	

To Order Parts:

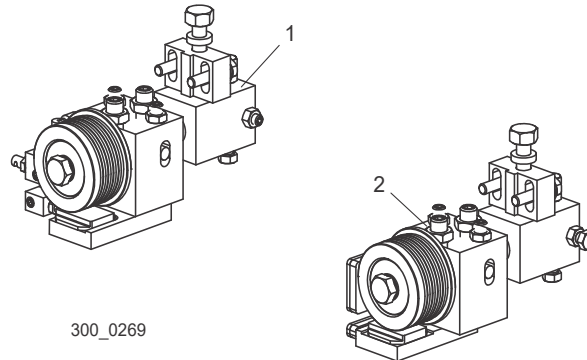
- From the continental U.S., call **1-800-525-8100** to order parts. Have your customer number, vehicle identification number, and part numbers ready when you call.
- From other international locations, contact the Wood-Mizer distributor in your area for parts.

SECTION 2 BLADE GUIDES & ARM

2.1 Blade Guides (Roller/Block, Standard)

WM4000

Rev. A2.00+



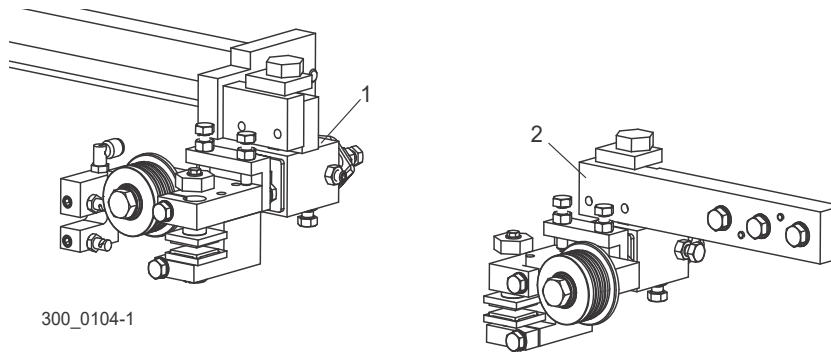
300_0269

REF	DESCRIPTION (◆ Indicates Parts Available In Assemblies Only)	PART #	QTY.
1	INDUSTRIAL MILL IDLE SIDE BLADE GUIDE PARTS (See Section 2.4)		
2	INDUSTRIAL MILL DRIVE SIDE BLADE GUIDE PARTS (See Section 2.7)		

2.2 Blade Guide Kit (Roller/Block, Standard)

WM4000

Rev. A1.00

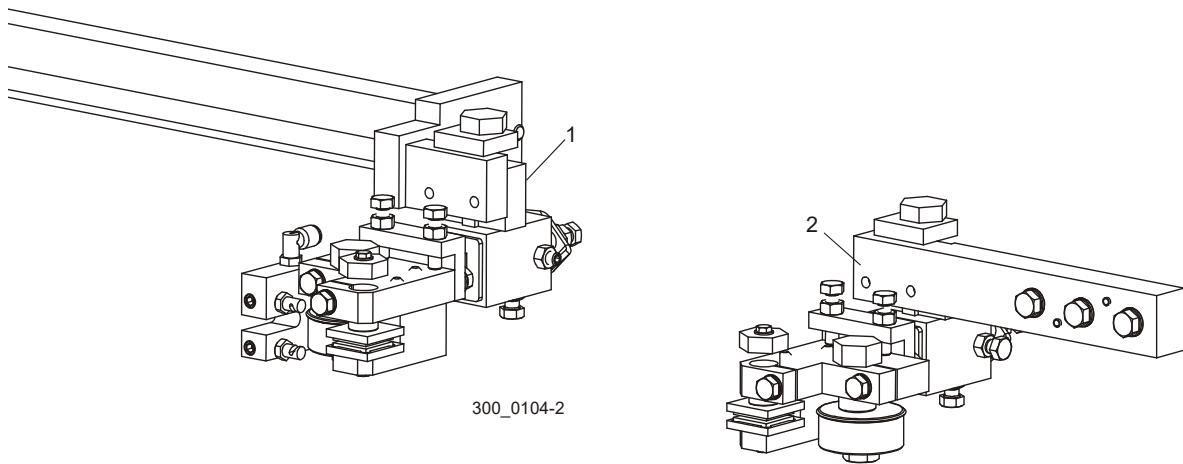


300_0104-1

REF	DESCRIPTION (◆ Indicates Parts Available In Assemblies Only)	PART #	QTY.
	GUIDE KIT, BLOCK/ROLLER BLADE		
1	Idle Side Blade Guide Parts (See Section 2.3)		
2	Drive Side Blade Guide Parts (See Section 2.6)		

2 **Blade Guides & Arm**
Blade Guide Kit (Block, Optional)

2.3 Blade Guide Kit (Block, Optional)

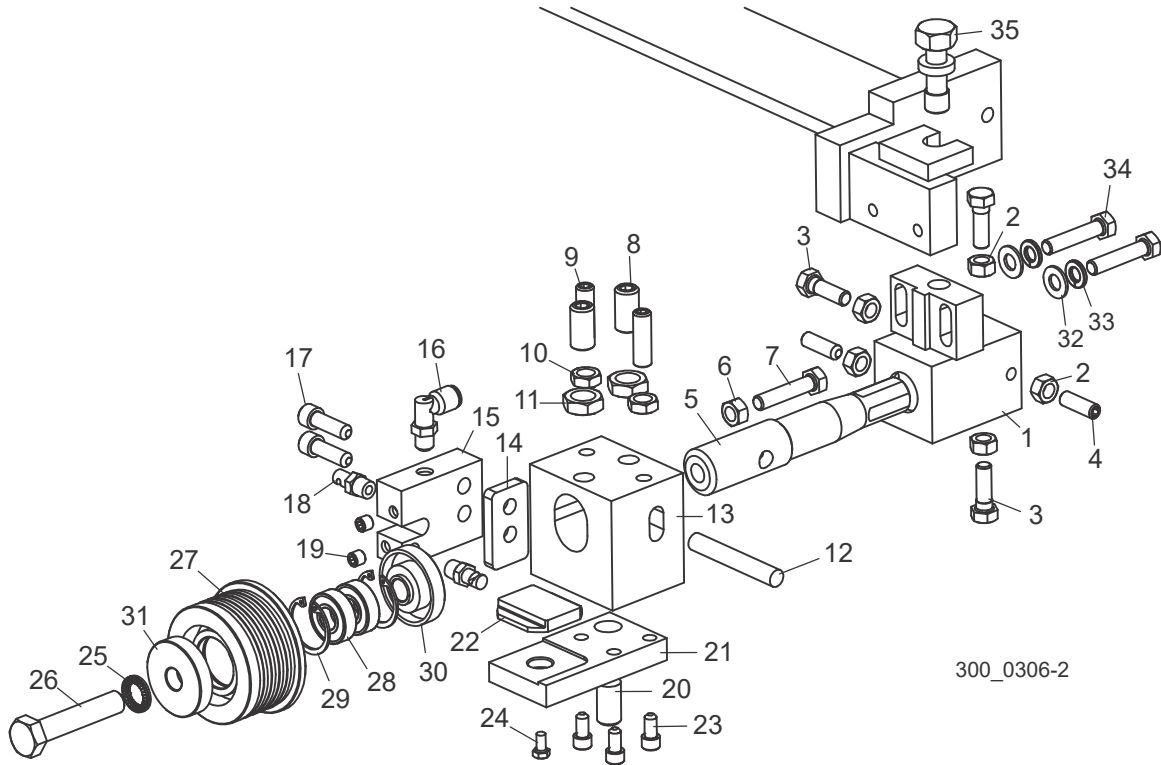


REF	DESCRIPTION (◆ Indicates Parts Available In Assemblies Only)	PART #	QTY.
	GUIDE KIT, BLOCK BLADE		
1	Idle Side Blade Guide Parts (See Section 2.6)		
2	Drive Side Blade Guide Parts (See Section 2.9)		

2.4 Blade Guide Assembly, Idle Side (Roller/Block, Standard)

WM4000

Rev. A2.00+



REF	DESCRIPTION (◆ Indicates Parts Available In Assemblies Only)	PART #	QTY.
	ROLLER/BLOCK ASSEMBLY, INDUSTRIAL MILL IDLE SIDE (OUTER)	071355	1
	Block Assembly, Industrial Mill Idle Blade Guide Mount	074095	1
1	Block Weldment, Industrial Mill Blade Guide Mount	062789	1
2	Nut, 5/16-18 Hex	F05010-17	5
3	Bolt, 5/16-18 x 1" Hex Head Stainless Steel	F05006-88	3
4	Screw, 5/16-18 x 1" Socket Head Flat Point Stainless Steel Set	F05006-122	2
5	Shaft, Blade Guide Roller Mount	062777	1
6	Nut, 5/16-18 Hex	F05010-17	1
7	Bolt, 5/16-18 x 1 1/2" Hex Head Full Thread Grade 5	F05006-76	1
8	Screw, 1/2-13 x 1" SS Set	F05008-186	3
9	Screw, 3/8-16 x 1 1/4" SS Set	F05007-239	2
10	Nut, 3/8-16 Jam	F05010-29	2
11	Nut, 1/2-13 Jam	F05010-31	2
12	Pin, 3/8" x 2 1-2" Harden Dowel	F05012-143	1
13	Block, Wear Pad Adjustment	062778	1
14	Block, Nozzle Spacer	062785	1
15	Block, Waterlube	062781	1

2

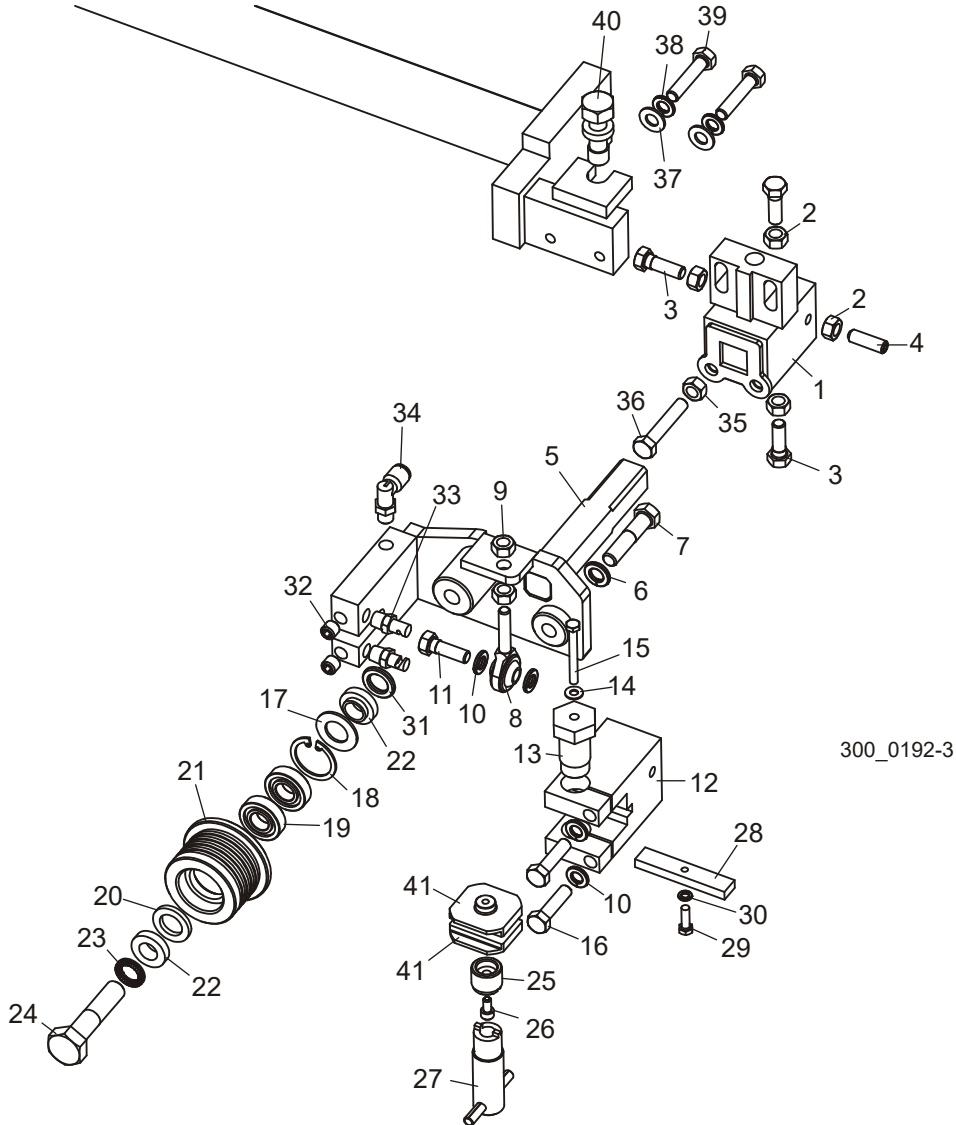
Blade Guide Assembly, Idle Side (Roller/Block, Standard)

16	Fitting, 1/8" MPT x 1/4" Tube Swivel Elbow	P09736	1	
17	Bolt, 5/16-18 x 1" SHC	F05006-19	2	
18	Fitting, Blade Lube Spray Nozzle	033479	2	
19	Plug, 1/16" NPT	007734	2	
20	Screw, 1/2-13 x 1" SS Set	F05008-186	3	
21	Bloc, Idle Side Pad Holder	071064	1	
22	Wear Pad, 1.5 Blade Guide	052309	1	
23	Screw, 1/4-20 x 1/2" SHC	F05005-39	3	
24	Bolt, #10-32 x 3/8" HH SS	F05004-171	1	
25	Washer, 1/2" Nord-Lock	F05011-125	1	
26	Bolt, M12-1.75 x 60 HH CL10.9	F05023-8	1	
	Roller, TVS Blade Guide	500561	1	
	Roller, HR Blade Guide (Optional for 1 1/4" Blades) (WM4000 Only)	500499	1	
27	Roller, TVS Blade Guide Wide	500560	1	
	Roller, HR Blade Guide (Optional for 1 1/4" Blades) (WM4000 Only)	500098	1	
28	Bearing, 6001 2RSR	087893	2	
29	Ring, W28 Inside Retaining	F81090-9	2	
30	Ring, Zinc-Plated Spacer (For Ext. Roll)	087892-1	1	
31	Ring, Zinc-Plated Spacer (For Ext. Roll)	087891-1	1	
32	Washer, 5/16" SAE Flat	F05011-17	2	
33	Washer, 5/16" Split Lock	F05011-13	2	
34	Bolt, 5/16-18 x 1 1/2" Hex Head Full Thread Grade 5	F05006-76	2	
35	Bolt, Blade Guide Vertical Adjustment	035656	1	

2.5 Blade Guide Assembly, Idle Side (Roller/Block, Standard)

WM4000

Rev. A1.00



REF	DESCRIPTION (◆ Indicates Parts Available In Assemblies Only)	PART #	QTY.	
	ROLLER/BLOCK ASSEMBLY, IDLE SIDE (OUTER)	065933	1	◆
	Block Assembly, Blade Guide Mount	036872	1	
1	Block Weldment, Blade Guide Mount	036868	1	◆
2	Nut, 5/16-18 Hex	F05010-17	4	
3	Bolt, 5/16-18 x 1" Hex Head Stainless Steel	F05006-88	3	
4	Screw, 5/16-18 x 1" Socket Head Flat Point Stainless Steel Set	F05006-122	1	
5	Shaft Weldment, Idle Side Guide	036866	1	
6	Washer, 3/8" Split Lock	F05011-4	1	

2

Blade Guides & Arm

Blade Guide Assembly, Idle Side (Roller/Block, Standard)

7	Bolt, 3/8-16 x 1 3/4" Hex Head Grade 5	F05007-119	1	
8	Rod End, 5/16-24 Male	P09814	1	
9	Nut, 5/16-24 Hex Jam	F05010-28	2	
10	Washer, 5/16" Split Lock	F05011-13	4	
11	Bolt, 5/16-18 x 1" Hex Head Stainless Steel	F05006-88	1	
12	Block, Guide Block Mount	036814	1	
13	Bolt, Blade Guide Block Mount	035216	1	
14	Washer, #10 Brass	042867	1	
15	Bolt, #10-32 x 1 3/4" Hex Head Stainless Steel	F05004-178	1	
16	Bolt, 5/16-18 x 1 1/4" Hex Head Stainless Steel	F05006-118	2	
	Roller Assembly, Blade Guide (optional for use with 1 1/4" & 1 1/2" blades)	A04925 ¹	1	
	Roller Assembly, Extended Blade Guide (standard for use with 1 1/2" blades)	014299 ¹	1	
	Roller Assembly, Extended Blade Guide (optional for use with 1 3/4" blades)	057441 ¹	1	
	Bearing Kit, Blade Guide Rebuild	K07079 ¹	1	
17	Washer, 5/8" White Felt	P04252	1	
18	Ring, 1 1/8" Interior Retaining	F04254-1	1	
19	Bearing, R8-2RS Blade Guide	015975	2	◆
20	Washer, 5/8" Gray Felt	P06455	1	
	Screw, 1/4-28 x 1/4" Socket Head Cup Point Set Black Oxide	F05005-105	1	
	Instruction Sheet, Blade Guide Rebuild	057407-1507	1	
21	Roller, Flanged Blade Guide (1 1/4" & 1 1/2" blade)	S04250	1	◆
	Roller, Flanged Blade Guide (1 1/2" blade)	014243	1	◆
	Roller, Flanged Blade Guide (1 3/4" blade)	037598	1	◆
	Instruction Sheet, Blade Guide Roller Replacement	A04925-364	1	
22	Spacer, Blade Guide	S04253	2	
23	Washer, 1/2" Nord-Lock	F05011-125	1	
24	Bolt, 1/2-13 x 2 1/4" Hex Head Grade 5	F05008-10	1	
25	Screw, Lower Block Adjustment	044057	1	
26	Screw, #10-32 x 3/8" Socket Head Stainless Steel	F05004-200	1	
27	Tool, Lower Block Adjustment	044064	1	
28	Block, Blade Guide Alignment	035799	1	
29	Screw, #10-32 x 5/8" Hex Head	F05004-152	1	
30	Washer, #10 Split Lock	F05011-20	1	
31	Spacer, 1/2" ID x 7/8" OD x 1/8" Thick (for 1 1/2" blades only)	052364	1	
32	Fitting, 1/8" NPT Socket Pipe Plug	P30127	2	
33	Fitting, Blade Lube Spray Nozzle	033479	2	
34	Fitting, 1/8" MPT x 1/4" Tube Swivel Elbow	P09736	1	
35	Nut, 5/16-18 Hex	F05010-17	1	
36	Bolt, 5/16-18 x 1 3/4" Hex Head Full Thread Grade 5	F05006-81	1	
37	Washer, 5/16" SAE Flat	F05011-17	2	
38	Washer, 5/16" Split Lock	F05011-13	2	
39	Bolt, 5/16-18 x 1 1/2" Hex Head Full Thread Grade 5	F05006-76	2	

40	Bolt, Blade Guide Vertical Adjustment	035656	1	
41	BLOCK, BLADE GUIDE WEAR (STANDARD FOR 1 1/2" OR 1 3/4" BLADES)	052309 ²	2	
	BLOCK ASSEMBLY, 1" SQ. EZ-GLIDE WEAR	036347 ²	2	
	SHIM, .008" CERAMIC INSERT SPACER	035248	1	

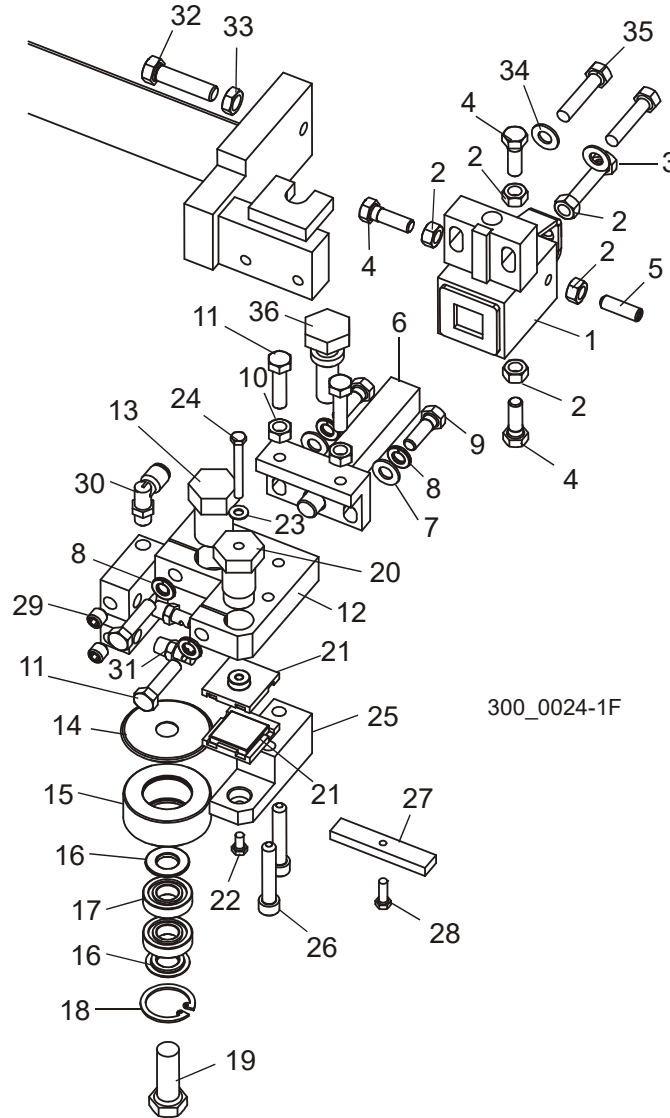
¹ The sawmill is equipped standard with blade guide rollers that can be used with the standard 1 1/2" blade. Optional blade guide rollers are available for use with 1 1/4" blades or 1 3/4". The optional rollers may provide more stability during difficult sawing, but will reduce the total amount of times the blade can be reused after sharpening. Order one additional Blade Guide Bearing 015975 in addition to K07079 Rebuild Kit to service 1 3/4" roller.

² 052309 blocks for use with 1 1/2" blade provided as standard equipment or optional 1 3/4" blade. 052355 blocks available for optional use with 1 1/4" blades. EZ-Glide blocks 036347 are available for customers who prefer this block (requires spacer 052364 for use with 1 1/4" blades).

2 Blade Guides & Arm

Blade Guide Assembly, Idle Side (Block, Optional)

2.6 Blade Guide Assembly, Idle Side (Block, Optional)



REF	DESCRIPTION (◆ Indicates Parts Available In Assemblies Only)	PART #	QTY.
	GUIDE ASSEMBLY, IDLE SIDE BLOCK/ROLLER	035200	1
	Block Assembly, Idle Side Blade Guide	036099	1
1	Block Weldment, Blade Guide Mount	035219	1 ◆
2	Nut, 5/16-18 Hex	F05010-17	5
3	Bolt, 5/16-18 x 1 1/2" Hex Head Full Thread Stainless Steel	F05006-119	1
4	Bolt, 5/16-18 x 1" Hex Head Stainless Steel	F05006-88	3
5	Screw, 5/16-18 x 1" Socket Head Flat Point Stainless Steel	F05006-122	1
6	Shaft Weldment, Block Guide Pivot	035209	1
7	Washer, 5/16" SAE Flat	F05011-17	2

Blade Guides & Arm 2

Blade Guide Assembly, Idle Side (Block, Optional)

8	Washer, 5/16" Split Lock	F05011-13	4	
9	Bolt, 5/16-18 x 1" Hex Head Stainless Steel	F05006-88	2	
10	Nut, 5/16-18 Hex	F05010-17	2	
11	Bolt, 5/16-18 x 1 1/4" Hex Head Stainless Steel	F05006-118	4	
12	Block Weldment, Upper Blade Guide	035206	1	
13	Bolt, Blade Guide Roller Mount	035215	1	
14	Hood, Blade Guide Back Roller	042848	1	
	Roller Assembly, Blade Guide	023977	1	
15	Housing, Blade Guide Roller	017223	1	◆
16	Spacer, Blade Guide Roller	018948	2	
17	Bearing, R8-2RS Blade Guide	015975	2	
18	Ring, 1 1/8" IR 3000x112 Retaining	F04254-1	1	
19	Bolt, 1/2-13 x 1 1/2" Hex Head	F05008-4	1	
20	Bolt, Blade Guide Block Mount	035216	1	
21	Block, Blade Guide Wear (Standard for 1 1/2" or 1 3/4" Blades)	052309 ¹	2	
	Block, Blade Guide Wear (Optional for 1 1/4" Blades)	052355 ¹	2	
	Disk Assembly, 1" Sq. EZ-Glide Wear	036347 ¹	2	
22	Bolt, #10-32x1/2 HH	F05004-60 ²	1	
	Screw, #10-32 x 3/8" Hex Head Stainless Steel	F05004-171	1	
23	Washer, #10 Brass	042867	1	
24	Bolt, #10-32 x 1 3/4" Hex Head Stainless Steel	F05004-178	1	
25	Block, Lower Blade Guide	035213	1	
26	Screw, 5/16-18 x 1 3/4" Socket Head	F05006-65	2	
27	Block, Blade Guide Alignment	035799	1	
28	Screw, #10-32 x 5/8" Hex Head	F05004-152	1	
29	Fitting, 1/8" NPT Socket Pipe Plug	P30127	2	
30	Fitting, 1/8" MPT x 1/4" Tube Swivel Elbow	P09736	1	
31	Fitting, Blade Lube Spray Nozzle	033479	2	
32	BOLT, 3/8-16 X 1 1/2" HEX HEAD FULL THREAD	F05007-17	1	
33	NUT, 3/8-16 HEX JAM	F05010-29	1	
34	WASHER, 5/16" SAE FLAT	F05011-17	2	
35	BOLT, 5/16-18 X 1 1/2" HEX HEAD	F05008-96	2	
36	BOLT, BLADE GUIDE VERTICAL ADJUSTMENT	035656	1	

¹ 052309 blocks for use with 1 1/2" blades provided as standard equipment or optional 1 3/4" blades. 052355 blocks available for optional use with 1 1/4" blades. EZ-Glide blocks 036347 are available for customers who prefer this block.

² F05004-60 replaced F05004-171 after 12/14/2021 per ECN 38285.

2

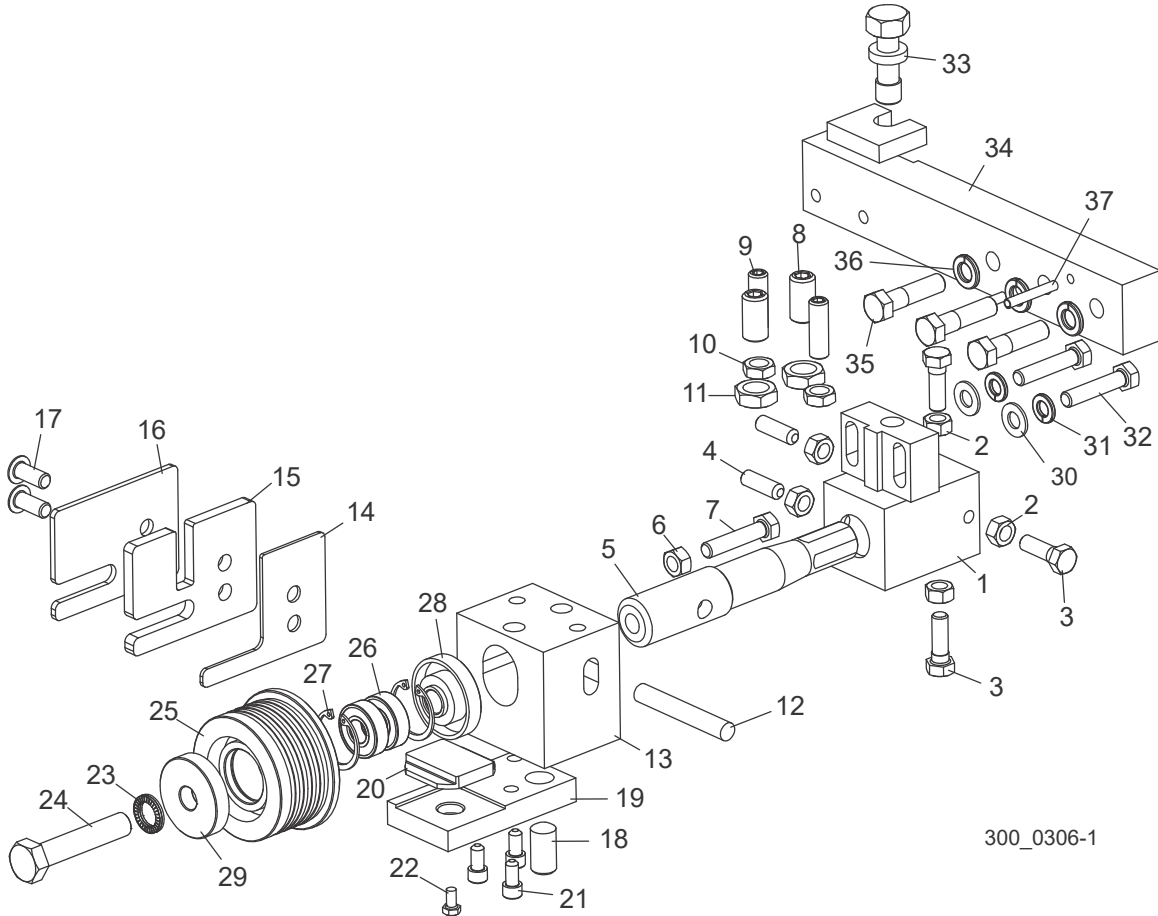
Blade Guides & Arm

Blade Guide Assembly, Drive Side (Roller/Block, Standard)

2.7 Blade Guide Assembly, Drive Side (Roller/Block, Standard)

WM4000

Rev. A2.00+



300_0306-1

REF	DESCRIPTION (◆ Indicates Parts Available In Assemblies Only)	PART #	QTY.
	ROLLER/BLOCK ASSEMBLY, INDUSTRIAL MILL DRIVE SIDE (INNER)	071354	1
	Block Assembly, Industrial Mill Blade Guide Mount	074094	1
1	Block Weldment, Industrial Mill Blade Guide Mount	062789	1
2	Nut, 5/16-18 Hex	F05010-17	5
3	Bolt, 5/16-18 x 1" Hex Head Stainless Steel	F05006-88	3
4	Screw, 5/16-18 x 1" Socket Head Flat Point Stainless Steel Set	F05006-122	1
5	Shaft, Blade Guide Roller Mount	062777	1
6	Nut, 5/16-18 Hex	F05010-17	2
7	Bolt, 5/16-18 x 1 1/2" Hex Head Full Thread Grade 5	F05006-76	3
8	Screw, 1/2-13 x 1" SS Set	F05008-186	3
9	Screw, 3/8-16 x 1 1/4" SS Set	F05007-239	2
10	Nut, 3/8-16 Jam	F05010-29	2
11	Nut, 1/2-13 Jam	F05010-31	2
12	Pin, 3/8" x 2 1-2" Harden Dowel	F05012-143	1
13	Block, Wear Pad Adjustment	062778	1

14	Plate, Inside Blade Shield	071356	1	
15	Plate, Middle Blade Shield	062787	1	
16	Plate, Outside Blade Shield	062788	1	
17	Screw, 5/16-18 x 3/4" BHSC SS	F05006-84	2	
18	Screw, 1/2-13 x 1" SS Set	F05008-186	3	
19	Bloc, Drive Side Pad Holder	062791	1	
20	Wear Pad, 1.5 Blade Guide	052309	1	
21	Screw, 1/4-20 x 1/2" SHC	F05005-39	3	
22	Bolt, #10-32 x 3/8" HH SS	F05004-171	1	
23	Washer, 1/2" Nord-Lock	F05011-125	1	
24	Bolt, M12-1.75 x 60 HH CL10.9	F05023-8	1	
	Roller, TVS Blade Guide	500561	1	
	Roller, HR Blade Guide (Optional for 1 1/4" Blades) (WM4000 Only)	500499	1	
25	Roller, TVS Blade Guide Wide	500560	1	
	Roller, HR Blade Guide (Optional for 1 1/4" Blades) (WM4000 Only)	500098	1	
26	Bearing, 6001 2RSR	087893	2	
27	Ring, W28 Inside Retaining	F81090-9	2	
28	Ring, Zinc-Plated Spacer (For Ext. Roll)	087892-1	1	
29	Ring, Zinc-Plated Spacer (For Ext. Roll)	087891-1	1	
30	Washer, 5/16" SAE Flat	F05011-17	2	
31	Washer, 5/16" Split Lock	F05011-13	2	
32	Bolt, 5/16-18 x 1 1/2" Hex Head Full Thread Grade 5	F05006-76	2	
33	Bolt, Blade Guide Vertical Adjustment	035656	1	
34	ARM WELDMENT, DRIVE SIDE BLADE GUIDE	074987 ¹	1	
35	BOLT, 1/2-20 X 1 1/2" HEX HEAD GRADE 5	F05008-53	3	
36	WASHER, 1/2" SPLIT LOCK	F05011-9	3	
37	PIN, 3/16X1 1/4 ROLL	F05012-16	2	

¹ 074987 replaced 035658 Arm Weldment to improve durability (WM4000 Rev. A6.04). On mills prior to WM4000 Rev. A6.04 the weld nuts, to secure the arm to the saw head, may become stripped causing the blade guide assembly to get loose. Use 079074 Drive Side Install Kit (including 079073 Mount Bar and fasteners) to retrofit mills prior to WM4000 Rev. A6.04 to better secure the 035658 Blade Guide Mounting Arm Weldment.



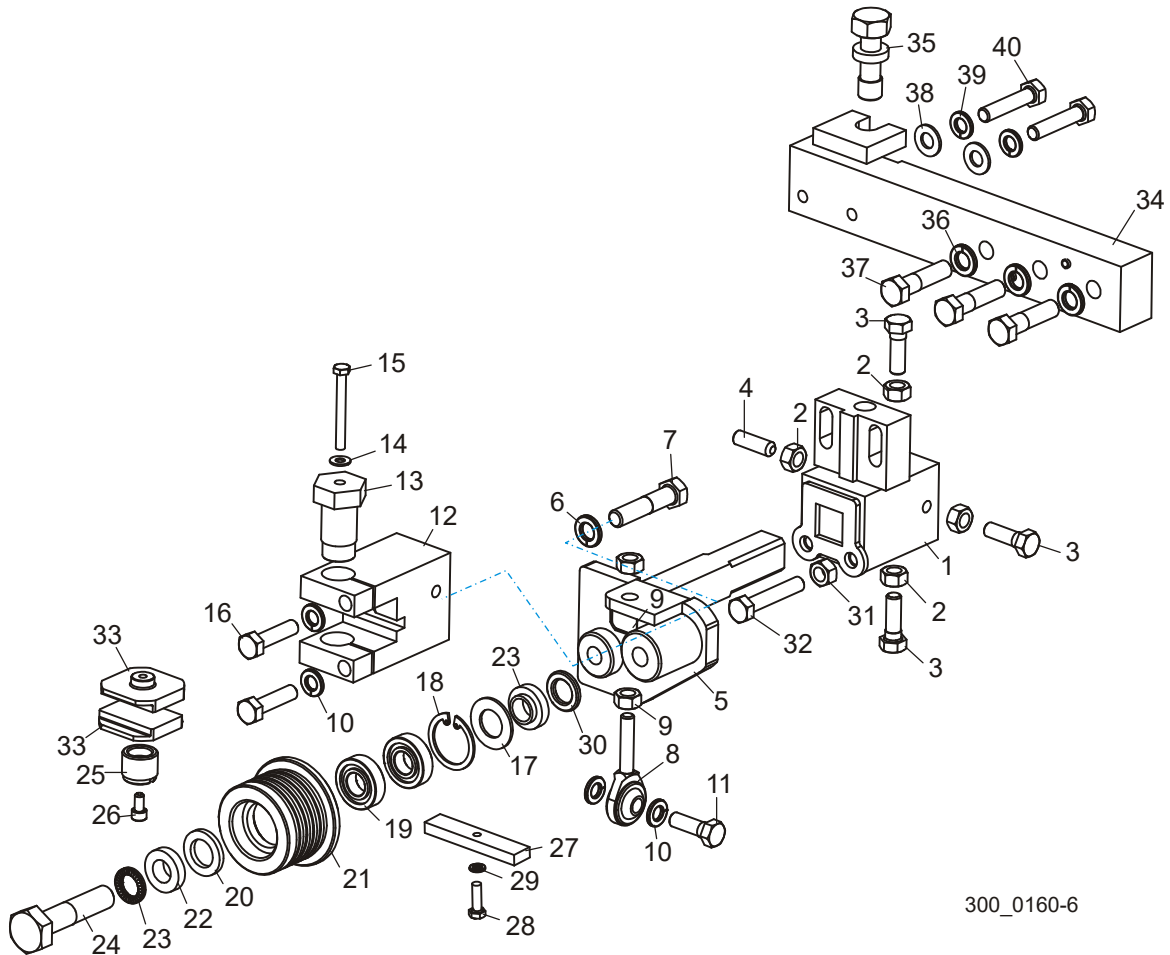
Blade Guides & Arm

Blade Guide Assembly, Drive Side (Roller/Block, Standard)

2.8 Blade Guide Assembly, Drive Side (Roller/Block, Standard)

WM4000

Rev. A1.00



300_0160-6

REF	DESCRIPTION (◆ Indicates Parts Available In Assemblies Only)	PART #	QTY.	
	ROLLER/BLOCK ASSEMBLY, DRIVE SIDE (INNER)	065934	1	◆
	Block Assembly, Blade Guide Mount	036867	1	
1	Block Weldment, Blade Guide Mount	036868	1	◆
2	Nut, 5/16-18 Hex	F05010-17	4	
3	Bolt, 5/16-18 x 1" Hex Head Stainless Steel	F05006-88	3	
4	Screw, 5/16-18 x 1" Socket Head Flat Point Stainless Steel Set	F05006-122	1	
5	Shaft Weldment, Drive Side Guide	036865	1	
6	Washer, 3/8" Split Lock	F05011-4	1	
7	Bolt, 3/8-16 x 1 3/4" Hex Head Grade 5	F05007-119	1	
8	Rod End, 5/16-24 Male	P09814	1	
9	Nut, 5/16-24 Hex Jam	F05010-28	2	
10	Washer, 5/16" Split Lock	F05011-13	4	
11	Bolt, 5/16-18 x 1" Hex Head Stainless Steel	F05006-88	1	
12	Block, Guide Block Mount	036814	1	

13	Bolt, Blade Guide Block Mount	035216	1	
14	Washer, #10 Brass	042867	1	
15	Bolt, #10-32 x 1 3/4" Hex Head Stainless Steel	F05004-178	1	
16	Bolt, 5/16-18 x 1 1/4" Hex Head Stainless Steel	F05006-118	2	
	Roller Assembly, Blade Guide (optional for use with 1 1/4" & 1 1/2" blades)	A04925 ¹	1	
	Roller Assembly, Extended Blade Guide (standard for use with 1 1/2" blades)	014299 ¹	1	
	Roller Assembly, Extended Blade Guide (optional for use with 1 3/4" blades)	057441 ¹	1	
	Bearing Kit, Blade Guide Rebuild	K07079 ¹	1	
17	Washer, 5/8" White Felt	P04252	1	
18	Ring, 1 1/8" Interior Retaining	F04254-1	1	
19	Bearing, R8-2RS Blade Guide	015975	2	◆
20	Washer, 5/8" Gray Felt	P06455	1	
	Screw, 1/4-28 x 1/4" Socket Head Cup Point Set Black Oxide	F05005-105	1	
	Instruction Sheet, Blade Guide Rebuild	057407-1507	1	
21	Roller, Flanged Blade Guide (1 1/4" & 1 1/2" blade)	S04250	1	◆
	Roller, Flanged Blade Guide (1 1/2" blade)	014243	1	◆
	Roller, Flanged Blade Guide (1 3/4" blade)	037598	1	◆
	Instruction Sheet, Blade Guide Roller Replacement	A04925-364	1	
22	Spacer, Blade Guide	S04253	2	
23	Washer, 1/2" Nord-Lock	F05011-125	1	
24	Bolt, 1/2-13 x 2 1/4" Hex Head Grade 5	F05008-10	1	
25	Screw, Lower Block Adjustment	044057	1	
26	Screw, #10-32 x 3/8" Socket Head Stainless Steel	F05004-200	1	
27	Block, Blade Guide Alignment	035799	1	
28	Screw, #10-32 x 5/8" Hex Head	F05004-152	1	
29	Washer, #10 Split Lock	F05011-20	1	
30	Spacer, 1/2" ID x 7/8" OD x 1/8" Thick (for 1 1/2" blades only)	052364	1	
31	Nut, 5/16-18 Hex	F05010-17	1	
32	Bolt, 5/16-18 x 1 3/4" Hex Head Full Thread Grade 5	F05006-81	1	
33	BLOCK, BLADE GUIDE WEAR (STANDARD FOR 1 1/2" OR 1 3/4" BLADES)	052309 ²	2	
	BLOCK, BLADE GUIDE WEAR (OPTIONAL FOR 1 1/4" BLADES)	052355 ²	2	
	BLOCK ASSEMBLY, 1" SQ. EZ-GLIDE WEAR	036347 ²	2	
34	ARM WELDMENT, DRIVE SIDE BLADE GUIDE	035658	1	
35	BOLT, BLADE GUIDE VERTICAL ADJUSTMENT	035656	1	
36	WASHER, 3/8" SPLIT LOCK	F05011-4	3	
37	BOLT, 3/8-16 X 1 1/2" HEX HEAD GRADE 5	F05007-78	3	
	SHIM, .008" CERAMIC INSERT SPACER	035248	1	
38	WASHER, 5/16" SAE FLAT	F05011-17	2	
39	WASHER, 5/16" SPLIT LOCK	F05011-13	2	
40	BOLT, 5/16-18 X 1 1/2" HEX HEAD FULL THREAD GRADE 5	F05006-76	2	

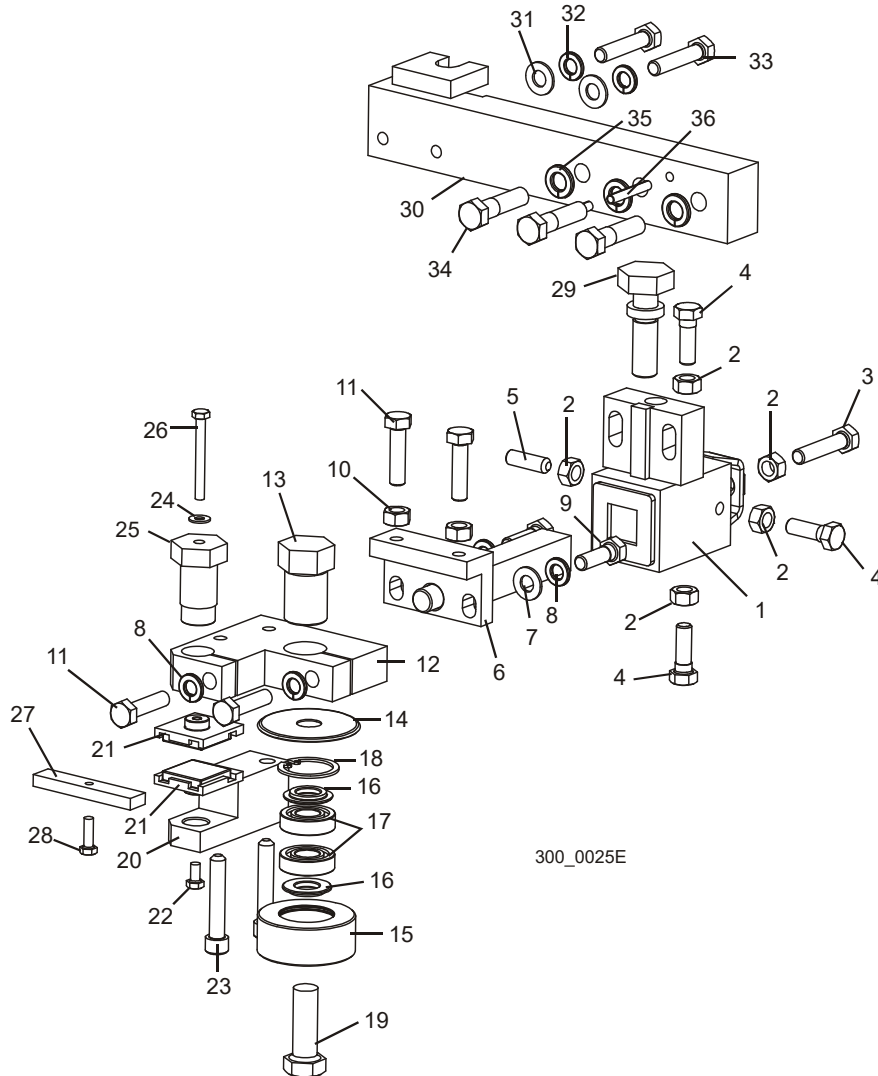
2

Blade Guides & Arm

Blade Guide Assembly, Drive Side (Roller/Block, Standard)

- ¹ The sawmill is equipped standard with blade guide rollers that can be used with the standard 1 1/2" blade. Optional blade guide rollers are available for use with 1 1/4" blades or 1 3/4". The optional rollers may provide more stability during difficult sawing, but will reduce the total amount of times the blade can be reused after sharpening. Order one additional Blade Guide Bearing 015975 in addition to K07079 Rebuild Kit to service 1 3/4" roller.
- ² 052309 blocks for use with 1 1/2" blade provided as standard equipment or optional 1 3/4" blade. 052355 blocks available for optional use with 1 1/4" blades. EZ-Glide blocks 036347 are available for customers who prefer this block (requires spacer 052364 for use with 1 1/4" blades).

2.9 Blade Guide Assembly, Drive Side (Block, Optional)



REF	DESCRIPTION (◆ Indicates Parts Available In Assemblies Only)	PART #	QTY.
	GUIDE ASSEMBLY, DRIVE SIDE BLOCK/ROLLER	035201	1
	Block Assembly, Blade Guide Mount	036100	1
1	Block Weldment, Blade Guide Mount	035219	1 ◆
2	Nut, 5/16-18 Hex	F05010-17	5
3	Bolt, 5/16-18 x 1 1/2" Hex Head Full Thread Stainless Steel	F05006-119	1
4	Bolt, 5/16-18 x 1" Hex Head Stainless Steel	F05006-88	3
5	Screw, 5/16-18 x 1" Socket Head Flat Point Stainless Steel Set	F05006-122	1
6	Shaft Weldment, Block Guide Pivot	035209	1
7	Washer, 5/16" SAE Flat	F05011-17	2
8	Washer, 5/16" Split Lock	F05011-13	4

2

Blade Guides & Arm

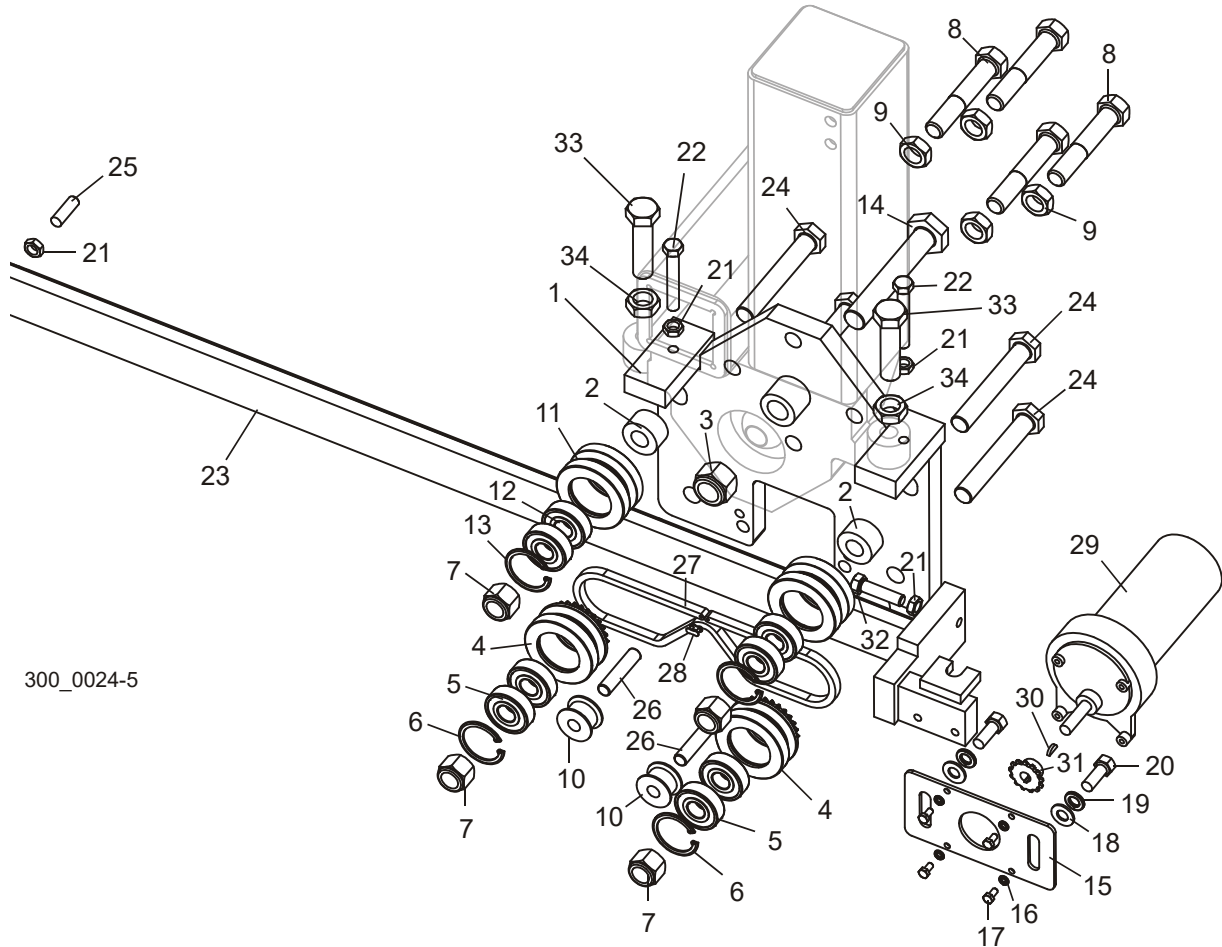
Blade Guide Assembly, Drive Side (Block, Optional)

9	Bolt, 5/16-18 x 1" Hex Head Stainless Steel	F05006-88	2	
10	Nut, 5/16-18 Hex	F05010-17	2	
11	Bolt, 5/16-18 x 1 1/4" Hex Head Stainless Steel	F05006-118	4	
12	Block Weldment, Upper Blade Guide	035207	1	
13	Bolt, Blade Guide Roller Mount	035215	1	
14	Hood, Blade Guide Back Roller	042848	1	
	Roller Assembly, Blade Guide	023977	1	
15	Housing, Blade Guide Roller	017223	1	◆
16	Spacer, Blade Guide Roller	018948	2	
17	Bearing, R8-2RS Blade Guide	015975	2	
18	Ring, 1 1/8" IR 3000x112 Retaining	F04254-1	1	
19	Bolt, 1/2-13 x 1 1/2" Hex Head	F05008-4	1	
20	Block, Lower Blade Guide	035214	1	
21	Block, Blade Guide Wear (Standard for 1 1/2" or 1 3/4" Blades)	052309 ¹	2	
	Block, Blade Guide Wear (Optional for 1 1/4" Blades)	052355 ¹	2	
	Disk Assembly, 1" Sq. EZ-Glide Wear	036347 ¹	2	
22	Screw, #10-32 x 3/8" Hex Head Stainless Steel	F05004-171	1	
23	Screw, 5/16-18 x 1 3/4" Socket Head	F05006-65	2	
24	Washer, #10 Brass	042867	1	
25	Bolt, Blade Guide Block Mount	035216	1	
26	Bolt, #10-32 x 1 3/4" Hex Head Stainless Steel	F05004-178	1	
27	Block, Blade Guide Alignment	035799	1	
28	Screw, #10-32 x 5/8" Hex Head	F05004-152	1	
29	BOLT, BLADE GUIDE VERTICAL ADJUSTMENT	035656	1	
30	ARM WELDMENT, DRIVE SIDE BLADE GUIDE MOUNT	074987 ²	1	
31	WASHER, 5/16" SAE FLAT	F05011-17	2	
32	WASHER, 5/16" SPLIT LOCK	F05011-13	2	
33	BOLT, 5/16-18 X 1 1/2" HEX HEAD FULL THREAD STAINLESS STEEL	F05006-119	2	
34	BOLT, 1/2-20 X 1 1/2" HEX HEAD GRADE 5	F05008-53	3	
35	WASHER, 1/2" SPLIT LOCK	F05011-9	3	
36	PIN, 3/16" X 1 1/4" ROLL	F05012-16	2	

¹ 052309 blocks for use with 1 1/2" blades provided as standard equipment or optional 1 3/4" blade. 052355 blocks available for optional use with 1 1/4" blades. EZ-Glide blocks 036347 are available for customers who prefer this block.

² 074987 replaced 035658 Arm Weldment to improve durability (WM4000 Rev. A6.04). On mills prior to WM4000 Rev. A6.04 the weld nuts, to secure the arm to the saw head, may become stripped causing the blade guide assembly to get loose. Use 079074 Drive Side Install Kit (including 079073 Mount Bar and fasteners) to retrofit mills prior to WM4000 Rev. A6.04 to better secure the 035658 Blade Guide Mounting Arm Weldment.

2.10 Blade Guide Arm



REF	DESCRIPTION (◆ Indicates Parts Available In Assemblies Only)	PART #	QTY.
	PLATE ASSEMBLY, BLADE GUIDE ARM (WM3500/WM4000/WM4500)	006703	1
	Blade Guide Parts (See Section 2.6)		
1	Plate Weldment, Blade Guide Arm	042539	1
2	Spacer, .625" x .717" x 1 1/4"	042531	4
3	Nut, 3/4-16 Hex Nylon Lock	F05010-157	1
	Roller Assembly, Blade Guide Arm Drive	042542	2
4	Roller, Blade Guide Arm W/Sprocket	042541	1
5	Bearing, 5/8" x 1.5748" x .4724"	P06030-1	2
6	Ring, 1.575" ID Beveled 5002-156 Retaining	F04254-8	1
7	Nut, 5/8-18 Hex Nylon Lock	F05010-71	4
8	Bolt, 5/8-16 x 3 1/2" Hex Head Full Thread	F05009-16	4
9	Nut, 5/8-18 Hex Jam	F05010-11	4
10	Roller, Chain Idler	S09999	2
	Roller Assembly, Blade Guide Arm Idle	042543	2

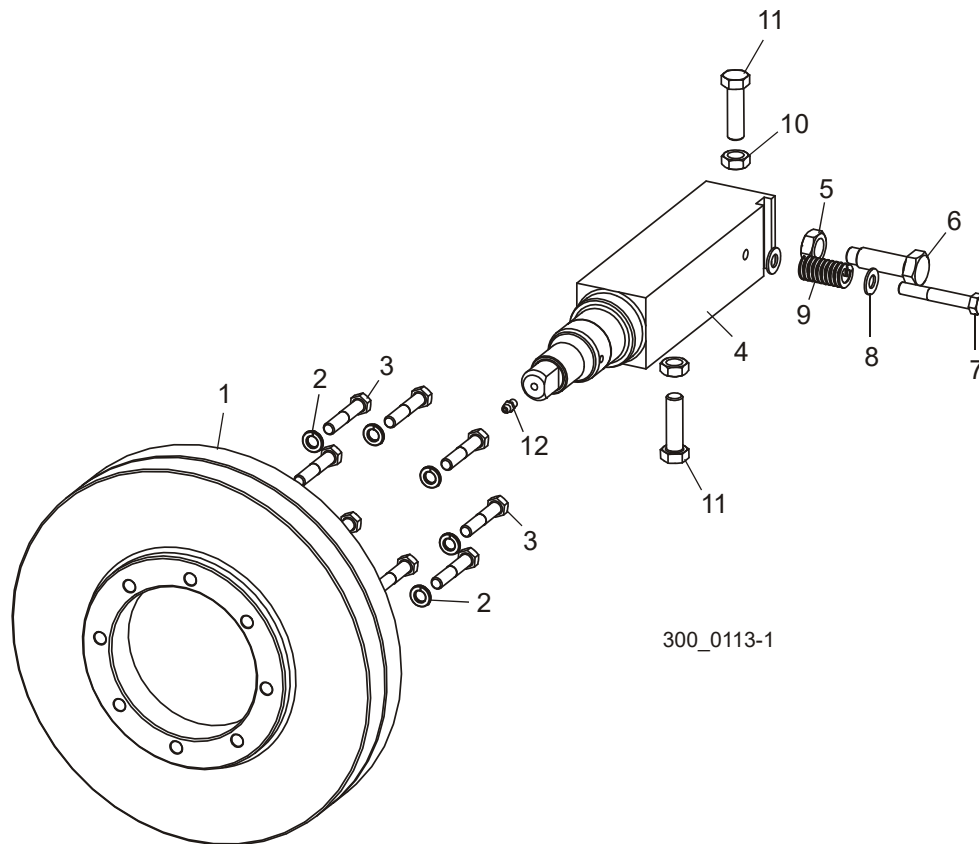
2

Blade Guide Rollers & Arm*Blade Guide Arm*

11	Roller, 2 1/2" V-Groove	042536	1	◆
12	Bearing, 5/8" x 1.5748" x .4724"	P06030-1	2	
13	Ring, 1.575" ID Beveled 5002-156 Retaining	F04254-8	1	
14	Bolt, 3/4-16 x 4 1/2" Hex Head Grade 8	F05009-97	1	
15	Plate, Blade Guide Arm Motor Mount	042519	1	
16	Washer, #10 Split Lock	F05011-20	4	
17	Screw, #10-32 x 1/2" Hex Head Machine	F05004-60	4	
18	Washer, 3/8" SAE Flat	F05011-3	2	
19	Washer, 3/8" Split Lock	F05011-4	2	
20	Bolt, 3/8-16 x 1" Hex Head	F05007-7	2	
21	Nut, 3/8-16 Hex Jam	F05010-29	3	
22	Bolt, 3/8-16 x 2 1/2" Hex Head Full Thread Grade 2	F05007-157	2	
23	Arm Weldment, WM3500 Blade Guide	006704	1	
24	Bolt, 5/8-18 x 3 1/4" Hex Head Grade 5	F05009-98	4	
25	Screw, 3/8-16 x 1 1/4" Socket Head Oval Point Set	F05007-18	1	
26	Pin, 7/16" x 2" Dowel	F05012-110	2	
27	Chain, #25 x 92 Pitch	042443	1	
28	Link, #25 Master	P09983	1	
29	Motor Assembly, 24V 60RPM Gear	035659	1	
	Motor, 24V 1/15HP Gear	033119	1	
	Housing, Klauber Motor End	P12756	1	
	Shaft, Blade Guide Arm Gear Motor	036514	1	
	Gear Kit, Blade Guide Arm Gear Motor	036515	1	
30	Key, #304 Woodruff	036203	1	
31	Sprocket, 25B13x 3/8" w/Set Screw	033120	1	
32	Bolt, 3/8-16 x 1 1/2" Hex Head Full Thread	F05007-17	1	
33	BOLT, 5/8-18 X 2 1/2" HEX HEAD FULL THREAD GRADE 5	F05009-99	2	
34	NUT, 5/8-18 HEX JAM	F05010-11	2	

SECTION 3 BLADE WHEELS & TENSIONER

3.1 Drive Shaft Assembly

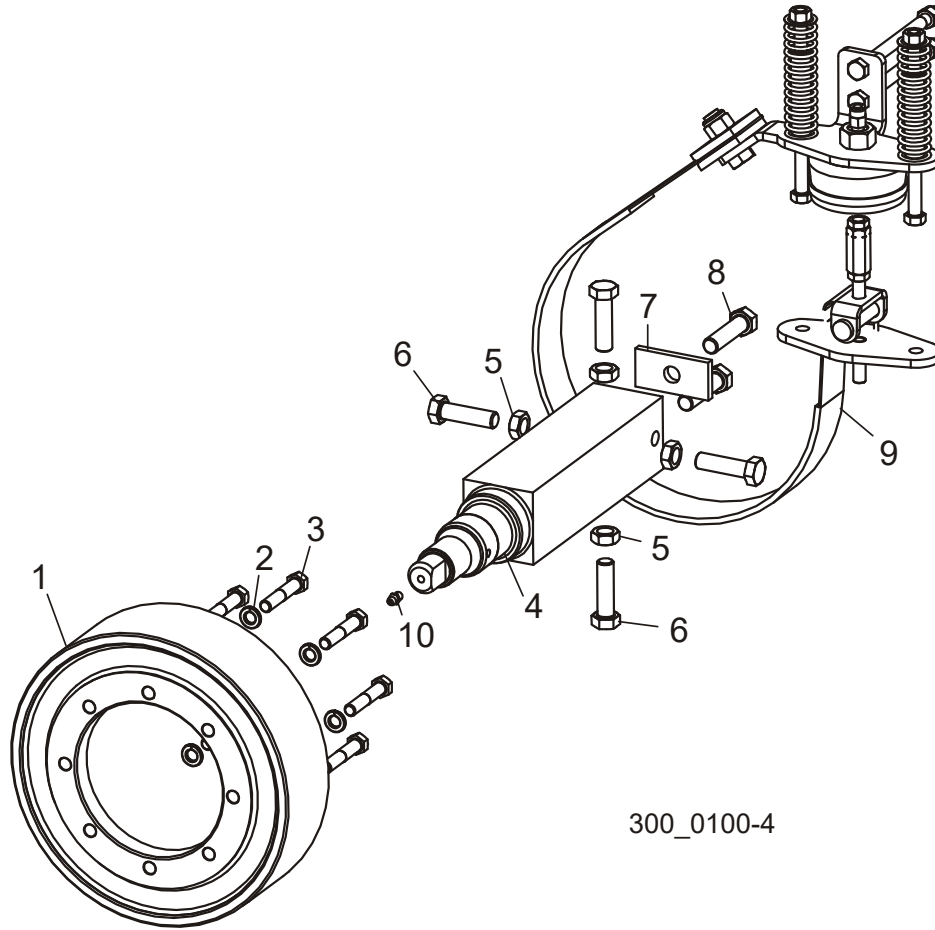


REF	DESCRIPTION (◆ Indicates Parts Available In Assemblies Only)	PART #	QTY.
1	SHEAVE, EAGLE PD DRIVE	046897	1
2	WASHER, 3/8" SPLIT LOCK	F05011-4	8
3	BOLT, 3/8-16 X 2" HEX HEAD GRADE 5	F05007-124	8
4	SHAFT, BLADE WHEEL	017824	1
5	BOLT, DRIVE WHEEL SHAFT RETAINING	034360	1
6	NUT, 5/8-18 HEX JAM	F05010-11	1
7	BOLT, 3/8-16 X 2 1/2" HEX HEAD	F05007-47	1
8	WASHER, 3/8" SAE FLAT	F05011-3	2
9	SPRING, 3/4" OD X 1 1/2" DIE	034430	1
10	BOLT, 1/2-20 X 1 3/4" HEX HEAD FULL THREAD	F05008-127	2
11	NUT, 1/2-20 HEX JAM	F05010-16	2
12	FITTING, 1/4-28 GREASE	P05060	1

3 Blade Wheels & Tensioner

Idle Shaft/Brake Drum

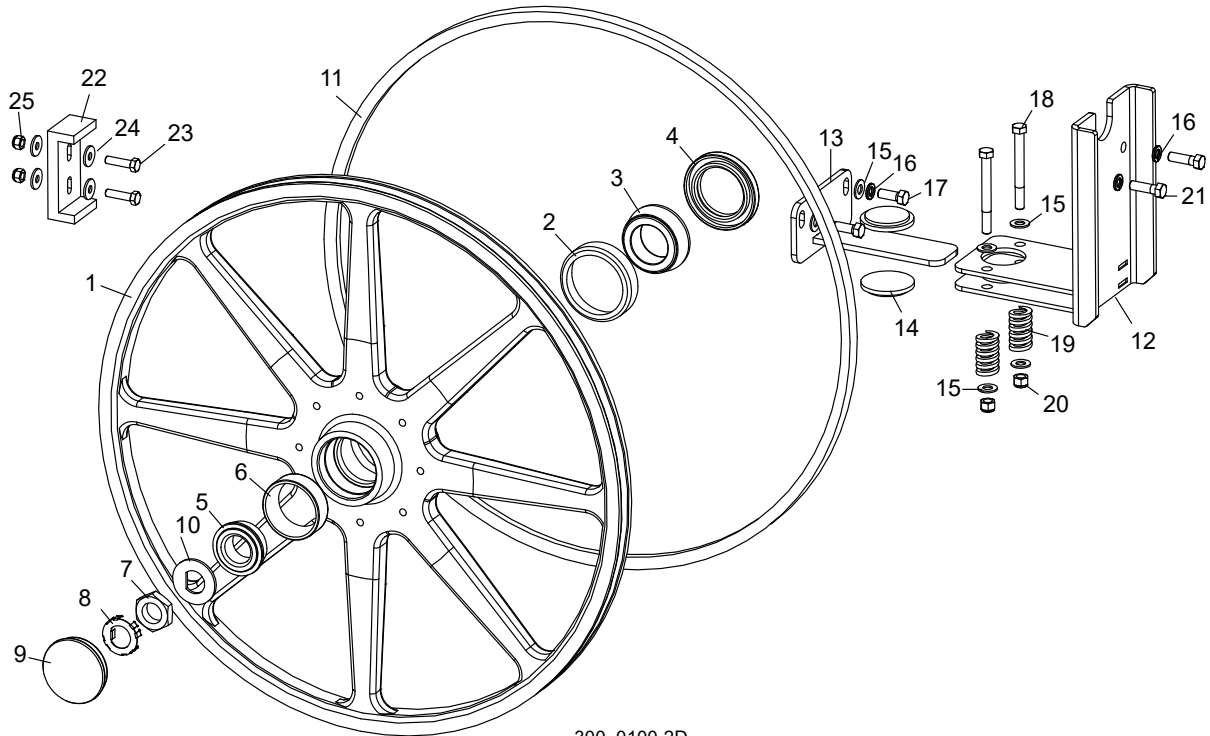
3.2 Idle Shaft/Brake Drum



300_0100-4

REF	DESCRIPTION (◆ Indicates Parts Available In Assemblies Only)	PART #	QTY.
1	DRUM, BRAKE	045004	1
2	WASHER, 3/8" SPLIT LOCK	F05011-4	8
3	BOLT, 3/8-16 X 1 3/4" HEX HEAD GRADE 5	F05007-119	8
4	SHAFT, BLADE WHEEL	033244	1
5	NUT, 1/2-20 HEX JAM	F05010-16	4
6	BOLT, 1/2-20 X 1 3/4" HEX HEAD FULL THREAD	F05008-127	4
7	PLATE, WASHER	042548	1
8	BOLT, 1/2-20 X 2" HEX HEAD FULL THREAD	F05008-126	2
9	BRAKE ACTUATOR & STRAP PARTS (See Section 3.5)		
10	FITTING, 1/4-28 GREASE	P05060	1

3.3 Blade Wheel Kit, Belted (Standard)



300_0100-2D

REF	DESCRIPTION (◆ Indicates Parts Available In Assemblies Only)	PART #	QTY.	
	WHEEL KIT, BELTED BLADE	036704 ¹	1	◆
	Wheel Assembly, Belted Blade w/Bearings	036632	2	
1	Wheel, 25" Belted Blade	036619	1	◆
	Bearing Kit, Blade Wheel	061227	1	
2	Race, Inner Bearing	045209	1	
3	Bearing, Inner	045208	1	
4	Seal, Blade Wheel Bearing	045212	1	
5	Bearing, Outer	045210	1	
6	Race, Outer Bearing	045211	1	
	Nut Assembly, Spindle w/Retainer	007656	1	
7	Nut, 1-14 Spindle	007654	1	◆
8	Retainer, Spindle Nut	007655	1	◆
9	Cap, Hub Dust	033238	1	
10	Washer, Blade Wheel Shaft D	045214	1	
11	Belt, B75.5	035953-1	1	
	Dampener Kit, Anti-Vibration	036840	1	
12	Mount Weldment, Dampener Pad	036838	1	
13	Tab Weldment, Dampener	036839	1	
14	Pad, Dampener	036833	2	

3

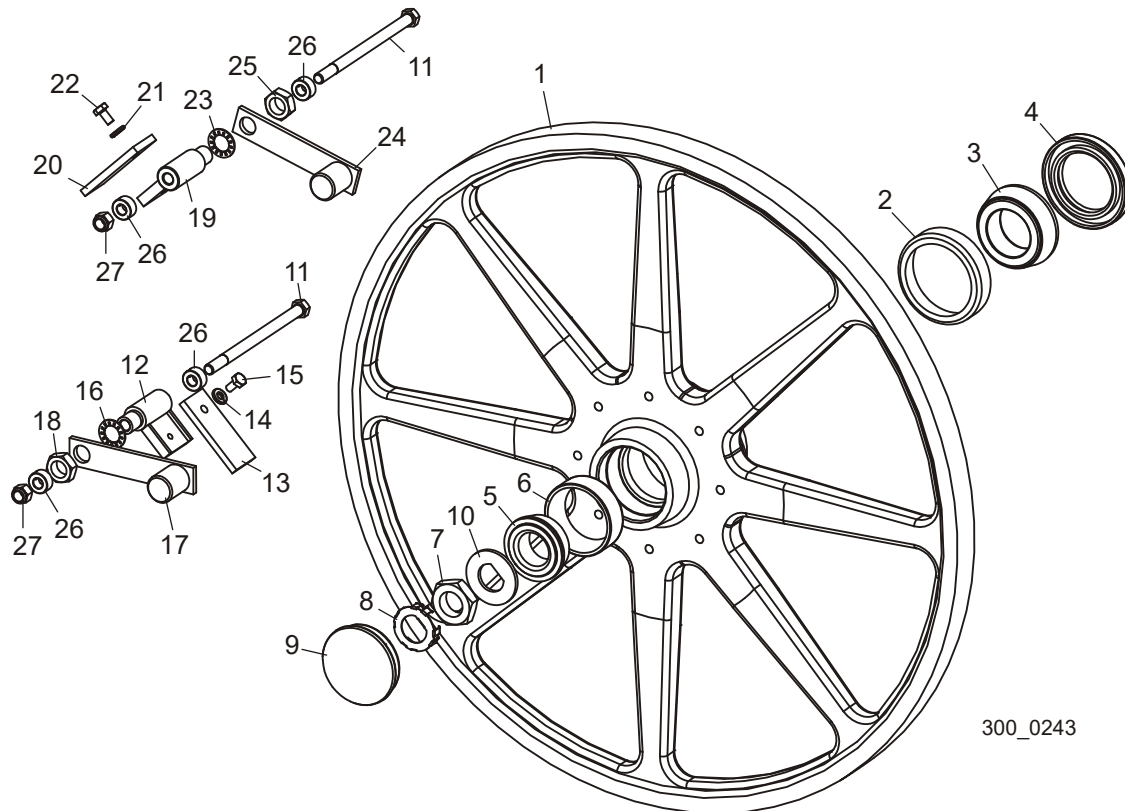
Blade Wheels & Tensioner

Blade Wheel Kit, Belted (Standard)

15	Washer, 3/8" SAE Flat	F05011-3	6	
16	Washer, 3/8" Split Lock	F05011-4	4	
17	Bolt, 3/8-16 x 1" Hex Head Grade 5	F05007-87	2	
18	Bolt, 3/8-16 x 3 1/2" Hex Head Grade 5	F05004-123	2	
19	Spring, 1" OD x 1/2" ID x 1 3/4" Heavy Die	036849	2	
20	Nut, 3/8-16 Hex Nylon Lock	F05010-10	2	
21	Bolt, 3/8-16 x 1 1/4" Hex Head Grade 5	F05007-123	2	
	Support Kit, Middle Blade	038493	1	
22	Support Channel, Middle Blade	038491	1	
23	Bolt, 5/16-18 x 1 1/4" Stainless Steel hex Head	F05006-118	2	
24	Washer, 5/16" Flat	F05011-16	4	
25	Nut, 5/16-18 Hex Nylon Lock	F05010-58	2	

¹ Belted blade wheels and block/roller blade guides provided standard. [See Section 3.4](#) for optional crowned blade wheels used with all-block blade guides. Blade wheels are too heavy to ship together in kit 036704. Order 036632 separately for service. To convert to crowned steel wheels and all-block blade guides, use two 017814 crowned wheel assemblies and one 036706 block blade guide kit.

3.4 Blade Wheel Kit, Crowned (Optional)



300_0243

REF	DESCRIPTION (◆ Indicates Parts Available In Assemblies Only)	PART #	QTY.	
	WHEEL KIT, CROWNED BLADE (TWO COMPLETE BLADE WHEELS)	036703 ¹	1	◆
	Wheel Assembly, Blade w/Bearings	017814 ²	2	
1	Wheel, 25" Cast Blade	045000	1	◆
	Bearing Kit, Blade Wheel	061227	1	
2	Race, Inner Bearing	045209	1	
3	Bearing, Inner	045208	1	
4	Seal, Blade Wheel Bearing	045212	1	
5	Bearing, Outer	045210	1	
6	Race, Outer Bearing	045211	1	
	Nut Assembly, Spindle w/Retainer	007656	1	
7	Nut, 1-14 Spindle	007654	1	◆
8	Retainer, Spindle Nut	007655	1	◆
9	Cap, Hub Dust	033238	1	
10	Washer, Blade Wheel Shaft D	045214	1	
11	Bolt, 3/8-16 x 6" Hex Head	F05007-45	2	
	Scraper Assembly, Drive Side Blade Wheel	042247	1	
12	Pivot Weldment, Wheel Scraper	042240	1	

3

Blade Wheels & Tensioner

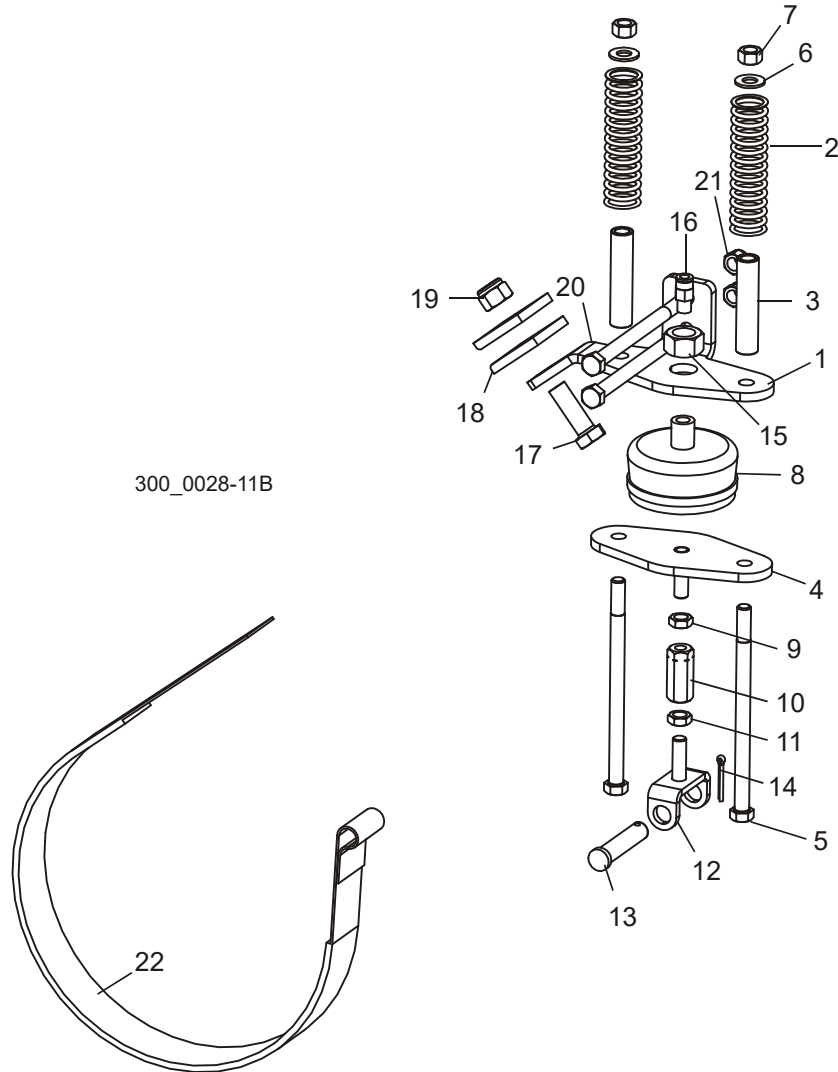
Blade Wheel Kit, Crowned (Optional)

13	Scraper, Brass Wheel	042245	1	
14	Washer, 1/4" Split Lock	F05011-14	1	
15	Bolt, 1/4-20 x 1/2" Hex Head	F05005-15	1	
16	Washer, 5/8" Interior Star Lock	F05011-25	1	
17	Weight Weldment, Wheel Scraper	042248	1	
18	Nut, 5/8-11 Hex Jam	F05010-82	1	
	Scraper Assembly, Idle Side Blade Wheel	042246	1	
19	Pivot Weldment, Wheel Scraper	042240	1	
20	Scraper, Brass Wheel	042245	1	
21	Washer, 1/4" Split Lock	F05011-14	1	
22	Bolt, 1/4-20 x 1/2" Hex Head	F05005-15	1	
23	Washer, 5/8" Interior Star Lock	F05011-25	1	
24	Weight Weldment, Wheel Scraper	042248	1	
25	Nut, 5/8-11 Hex Jam	F05010-82	1	
26	Collar, 3/8" ID	042249	4	
27	Nut, 3/8-16 Hex Nylon Lock	F05010-10	2	

¹ Belted blade wheels and block/roller blade guides provided standard. [See Section 3.3](#) for standard belted blade wheels used with block/roller blade guides. Blade wheels are too heavy to ship together in kit 036703. Order 017814 separately for service. To convert to belted blade wheels and roller/block blade guides, use two 036632 belted wheel assemblies, one 036705 roller/block blade guide kit, one 038493 blade support kit and one 036841 vibration dampening retrofit (WM3000/WM3500 Rev. A1.00 - A8.00) or one 036840 vibration dampening kit (WM3000/WM3500 Rev. A9.00+ and WM4000 Rev. A1.00+).

² Dust Cap 033238, D Washer 045214 and Spindle Nut 045216 added to assembly 017814 (11/04).

3.5 Brake Assembly



300_0028-11B

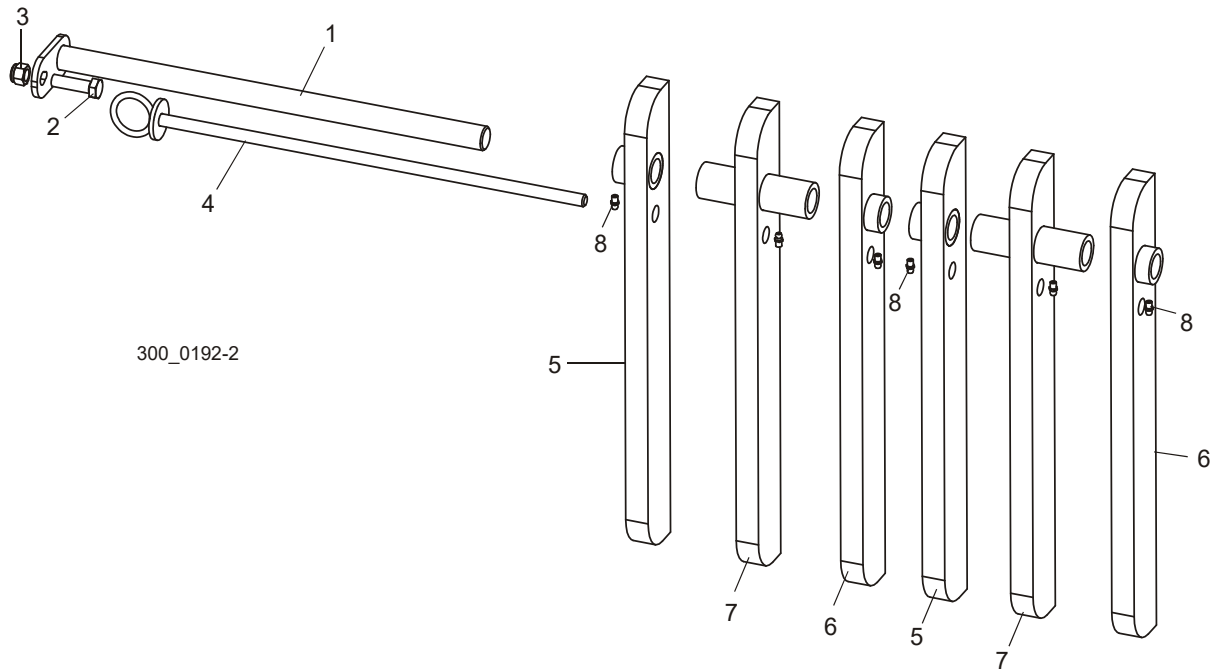
REF	DESCRIPTION (◆ Indicates Parts Available In Assemblies Only)	PART #	QTY.
	ACTUATOR ASSEMBLY, LT300 BRAKE	033170	1
1	Bracket, Upper Brake Mount	033166	1
2	Spring, Brake	033171	2
3	Spacer, Brake Spring Travel	033169	2
4	Bracket Weldment, Lower Brake Mount	033172	1
5	Bolt, 3/8-16 x 6" Hex Head	F05007-45	2
6	Washer, 3/8" SAE Flat	F05011-3	2
7	Nut, 3/8-16 Hex Lock	F05010-25	2
8	Bag, Brake Air	033168	1
9	Nut, 3/8-24 Hex Jam (Left-Hand Thread)	F05010-166	1

3**Blade Wheels & Tensioner***Brake Assembly*

10	Adjuster, Brake Link	033174	1	
11	Nut, 3/8-24 Hex Jam	F05010-22	1	
12	Bracket Weldment, Brake Link	033175	1	
13	Pin, 1/2" x 2 1/4" Clevis	F05012-81	1	
14	Pin, 1/8" x 1" Cotter	F05012-1	1	
15	Nut, 5/8-11 Hex	F05010-5	1	
16	Fitting, 1/8" NPT x 1/4" Tube	P03078	1	
17	Bolt, 1/2-13 x 1 1/2" Hex Head	F05008-4	1	
18	Plate, Brake Strap Clamp	S04195	2	
19	Nut, 1/2-13 Hex Nylon Lock	F05010-8	1	
20	Bolt, 3/8-16 x 5" Hex Head Grade 2	F05007-5	2	
21	Nut, 3/8-16 Hex Nylon Lock	F05010-10	2	
22	Strap, 9 1/2" Dia. Brake	033178	1	

SECTION 4 SAW HEAD

4.1 Board Return

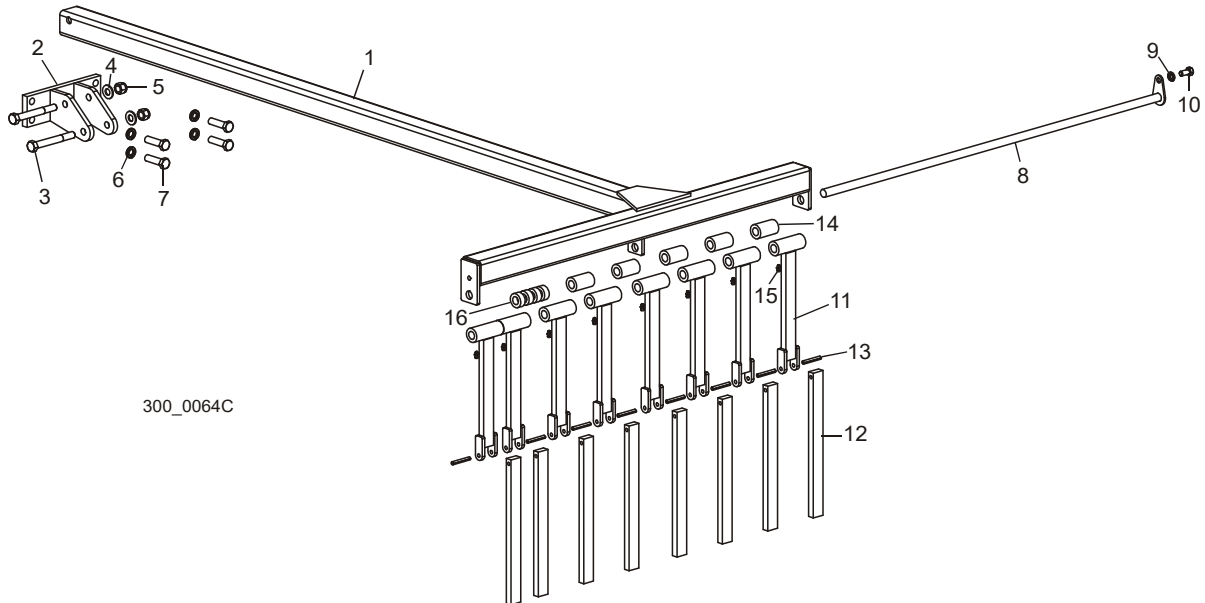


REF	DESCRIPTION (◆ Indicates Parts Available In Assemblies Only)	PART #	QTY.	
1	PIN WELDMENT, BOARD RETURN PIVOT	042167	1	
2	BOLT, 1/2-13 X 1 3/4" HEX HEAD GRADE 5	F05008-88	1	
3	NUT, 1/2-13 HEX NYLON LOCK	F05010-8	1	
4	PIN WELDMENT, SUPPORT	042168	1	
5	ARM WELDMENT, LEFT BOARD RETURN	003659	2	
6	ARM WELDMENT, RIGHT BOARD RETURN	003660	2	
7	ARM WELDMENT, MIDDLE BOARD RETURN	003661		
8	FITTING, 1/4-28 GREASE	P05060		

4 Saw Head

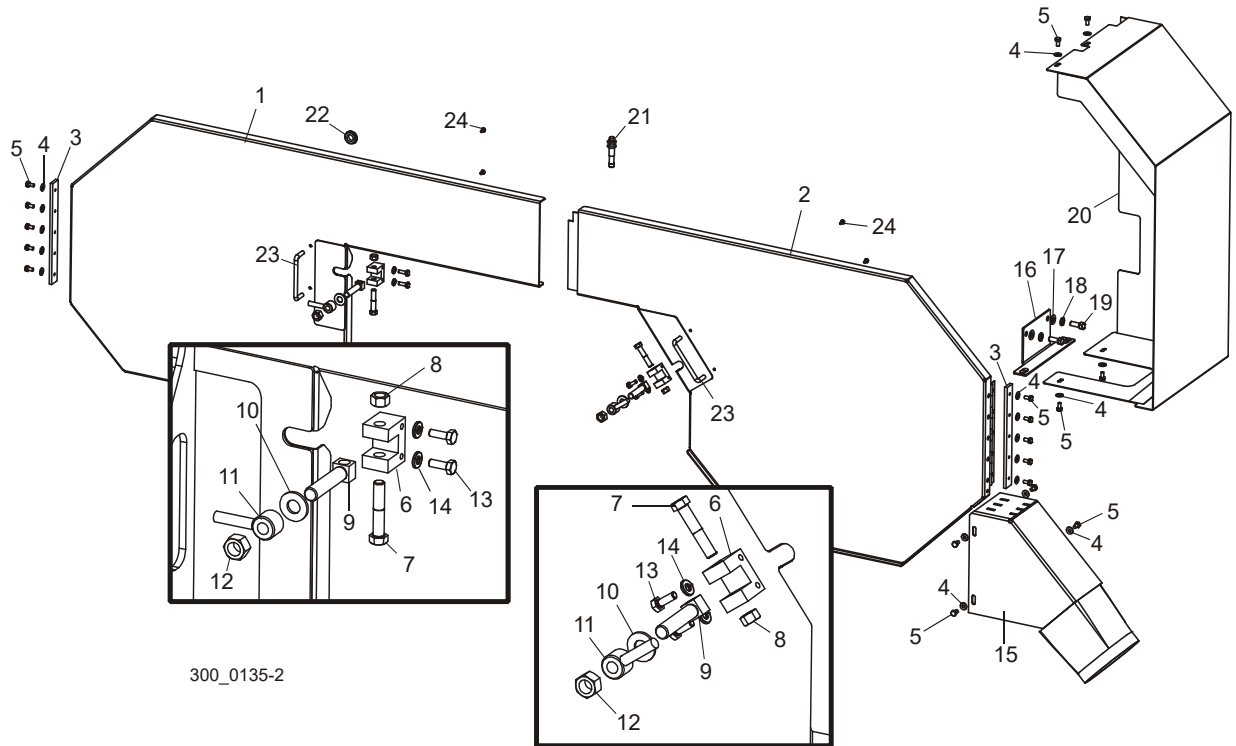
Board Return Guide

4.2 Board Return Guide



REF	DESCRIPTION (◆ Indicates Parts Available In Assemblies Only)	PART #	QTY.
	GUIDE ASSEMBLY, BOARD RETURN	017808	1
1	Guide Weldment, Board Return	017809	1
2	Bracket Weldment, Board Return Guide Mount	017811	1
3	Bolt, 1/2-13 x 4" Hex Head	F05008-26	2
4	Washer, 1/2" SAE Flat	F05011-2	2
5	Nut, 1/2-13 Hex Nylon Lock	F05010-8	2
6	Washer, 1/2" Split Lock	F05011-9	4
7	Bolt, 1/2-13 1 3/4" Hex Head Grade 5	F05008-88	4
8	Rod Weldment, Board Return Guide	034408	1
9	Washer, 3/8" Split Lock	F05011-4	1
10	Bolt, 3/8-16 x 3/4" Hex Head Grade 5	F05007-118	1
11	Bar Weldment, Board Guide Upper	017823	8
12	Bar, Board Guide Lower	017822	8
13	Pin, 1/4" x 1 3/4" Roll	F05012-53	8
14	Tube, Board Guide Spacer	017820	5
15	Fitting, 3/16" x 3/16" Straight Grease	P04107	8
16	Tube, Board Guide Spacer (.46")	003687	4

4.3 Covers & Sawdust Chute



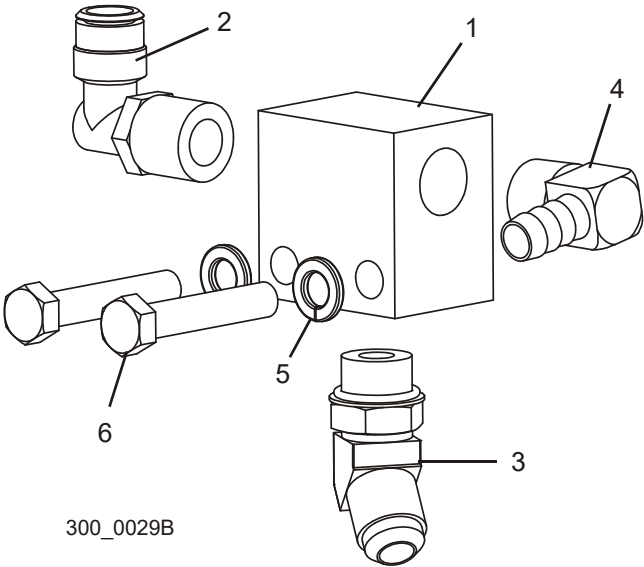
300_0135-2

REF	DESCRIPTION (◆ Indicates Parts Available In Assemblies Only)	PART #	QTY.
1	COVER WELDMENT, IDLE SIDE BLADE HOUSING	006638	1
2	COVER WELDMENT, DRIVE SIDE BLADE HOUSING	038981	1
3	PLATE, COVER MOUNT	042435	2
4	WASHER, 1/4" SAE FLAT	F05011-11	18
5	BOLT, 1/4-20 X 1/2" HEX HEAD	F05005-15	18
	LATCH ASSEMBLY, BLADE HOUSING COVER	042440	2
6	Block, Cover Latch	042439	1
7	Bolt, 3/8-16 x 2" Hex Head	F05007-72	1
8	Nut, 3/8-16 Hex Lock	F05010-25	1
9	Bolt, Cover Latch	042438	1
10	Washer, 1/2" SAE Flat	F05011-2	1
11	Handle Weldment, Cover Latch	021145	1
12	Nut, 1/2-13 Hex Lock	F05010-3	1
13	BOLT, 1/4-20 X 3/4" HEX HEAD FULL THREAD	F05005-1	4
14	WASHER, 1/4" SPLIT LOCK	F05011-14	4
15	CHUTE WELDMENT, SAWDUST	045005	1
16	BRACKET WELDMENT, SIDE GUARD MOUNT	036847	1

4**Saw Head***Covers & Sawdust Chute*

17	WASHER, 3/8" SAE FLAT	F05011-3	2	
18	WASHER, 3/8" SPLIT LOCK	F05011-4	2	
19	BOLT, 3/8-16 X 1" HEX HEAD GRADE 5	F05007-87	2	
20	GUARD WELDMENT, SIDE	036845	1	
21	SENSOR, 12MM EXTENDED PROXIMITY (FOR WM3500 ONLY)	025041	1	
	SENSOR, IND PROX M12 PNP NS EX (FOR WM4000 ONLY)	051439	1	
22	GROMMET, 5/8" ID RUBBER	P11764	1	
23	HANDLE, 4" DOOR	P08065	2	
24	SCREW, #8-32 X 3/8" SELF-TAPPING	F05015-8	4	

4.4 Blow-Off Assembly



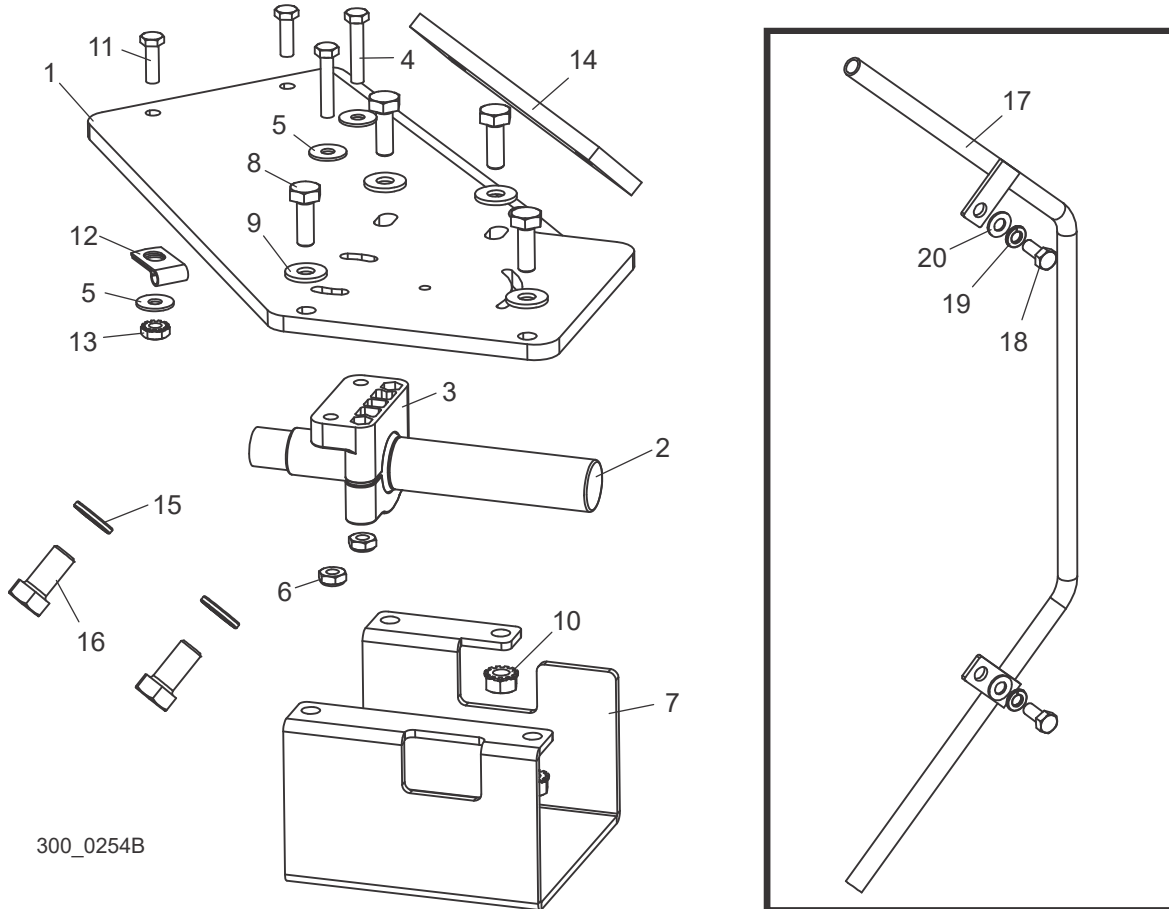
REF	DESCRIPTION (◆ Indicates Parts Available In Assemblies Only)	PART #	QTY.
	BLOCK ASSEMBLY, BLOW-OFF	016882	1
1	Block, Blow-Off	016879	1
2	Fitting, 1/2" NPT x 1/2" Tube 90° Swivel Elbow	016880	1
3	Fitting, #8 JIC x #8 SAE 45° Elbow	041161	1
4	Fitting, 1/2" NPT x 1/2" Hose Barb 90° Elbow	015997	1
5	Washer, 3/8" Split Lock	F05011-4	2
6	Bolt, 3/8-16 x 2" Hex Head Full Thread	F05007-16	2
	TUBING, 1/2" CHAINFLEX AIR LINE	R01869-5	54 Ft. ¹
	TUBING, 1/2" CHAINFLEX AIR LINE	R01869-5	4 Ft.

¹ Additional 6 foot of hose supplied for

4 Saw Head

Laser Assembly

4.5 Laser Assembly



REF	DESCRIPTION (◆ Indicates Parts Available In Assemblies Only)	PART #	QTY.
	LASER ASSEMBLY, WM4000	074047	1
1	Plate, Laser Mount	042744	1
2	Laser, 5mW 532nm 90° Line Z-Laser Green	068035	1
3	Bracket, 18mm Laser Mount Swivel	074051	1
4	Screw, #10-24 x 1" Unslotted Hex Head Grade 2	F05004-156	2
5	Washer, #10 SAE Flat	F05011-18	4
6	Nut, 10-24 Hex Nylon Lock	F05010-160	2
7	Cover, Laser Guard	042743	1
8	Bolt, 1/4-20 x 3/4" Hex Head Full Thread	F05005-1	4
9	Washer, 1/4" SAE Flat	F05011-11	4
10	Nut, 1/4-20 Hex Self-Locking	F05010-9	4
11	Bolt, #10-24 x 5/8" Hex Head	F05004-18	2
12	Clamp, .187 Cushioned Metal Cable	025196	2
13	Nut, #10-24 Hex Self-Locking	F05010-14	2
14	Plate, Laser Mount Nut	042452	1

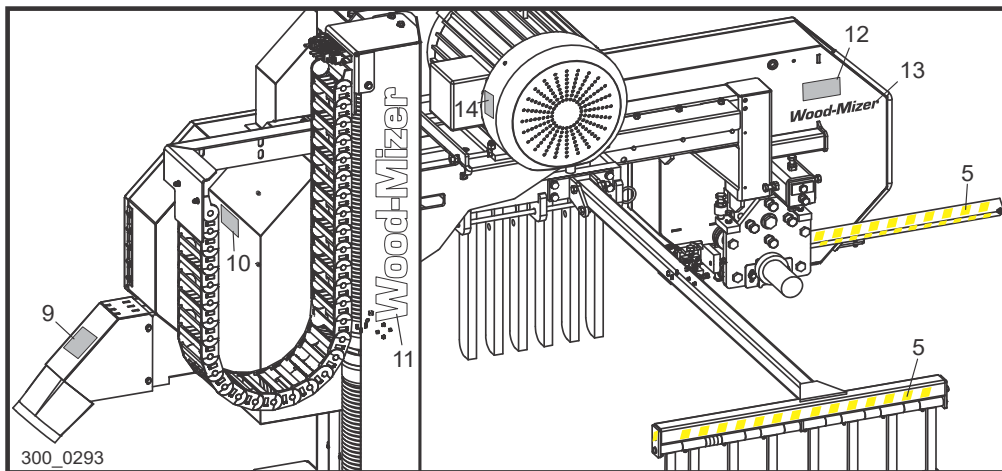
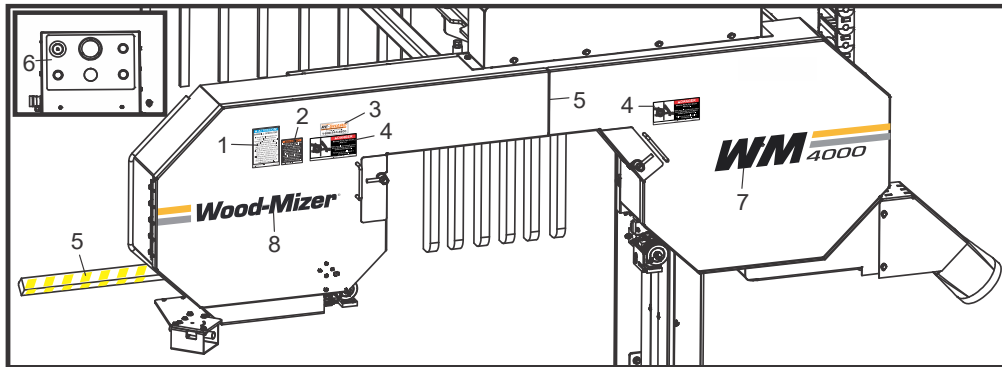
15	Washer, 3/8" Split Lock	F05011-4	2	
16	Bolt, 3/8-16 x 3/4" Hex Head Grade 2	F05007-27	2	
17	CONDUIT WELDMENT, LASER	074784	1	
18	BOLT, 5/16-18 X 3/4" HEX HEAD GRADE 5	F05006-102	2	
19	WASHER, 5/16" SPLIT LOCK	F05011-13	2	
20	WASHER, 5/16" SAE FLAT	F05011-17	2	

4 Saw Head Decals

4.6 Decals

WM4000

Rev. A5.01+



REF	DESCRIPTION (◆ Indicates Parts Available In Assemblies Only)	PART #	QTY.
1	DECAL, BLADE GUIDE INFO (LARGE)	034803	1
2	DECAL, BLADE INSPECTION WARNING	034801	1
3	DECAL, RE-SHARP	P12879	1
4	DECAL, MOVING PARTS DANGER	033254	2
5	DECAL, WARNING STRIPE	016834	7
6	DECAL, LT300 2005 HEAD/AIR BOX	052274	1
7	DECAL, WM4000 LOGO	076272	1
8	DECAL, WOOD-MIZER LOGO W/STRIPES	076273	1
9	DECAL, EYE/EAR PROTECTION WARNING	S11753	1
10	DECAL, TRANSDUCER ADJUSTMENT CAUTION	042674	1
11	DECAL, 27" WHITE WOOD-MIZER LOGO	074077	1
12	PLATE, NAME	S20038	1
13	DECAL, WOOD-MIZER LOGO 10.25"	052287	1
14	DECAL, MOTOR DIRECTION	S20097	1

4.7 Decals

WM4000

Rev. A1.00 - A5.00

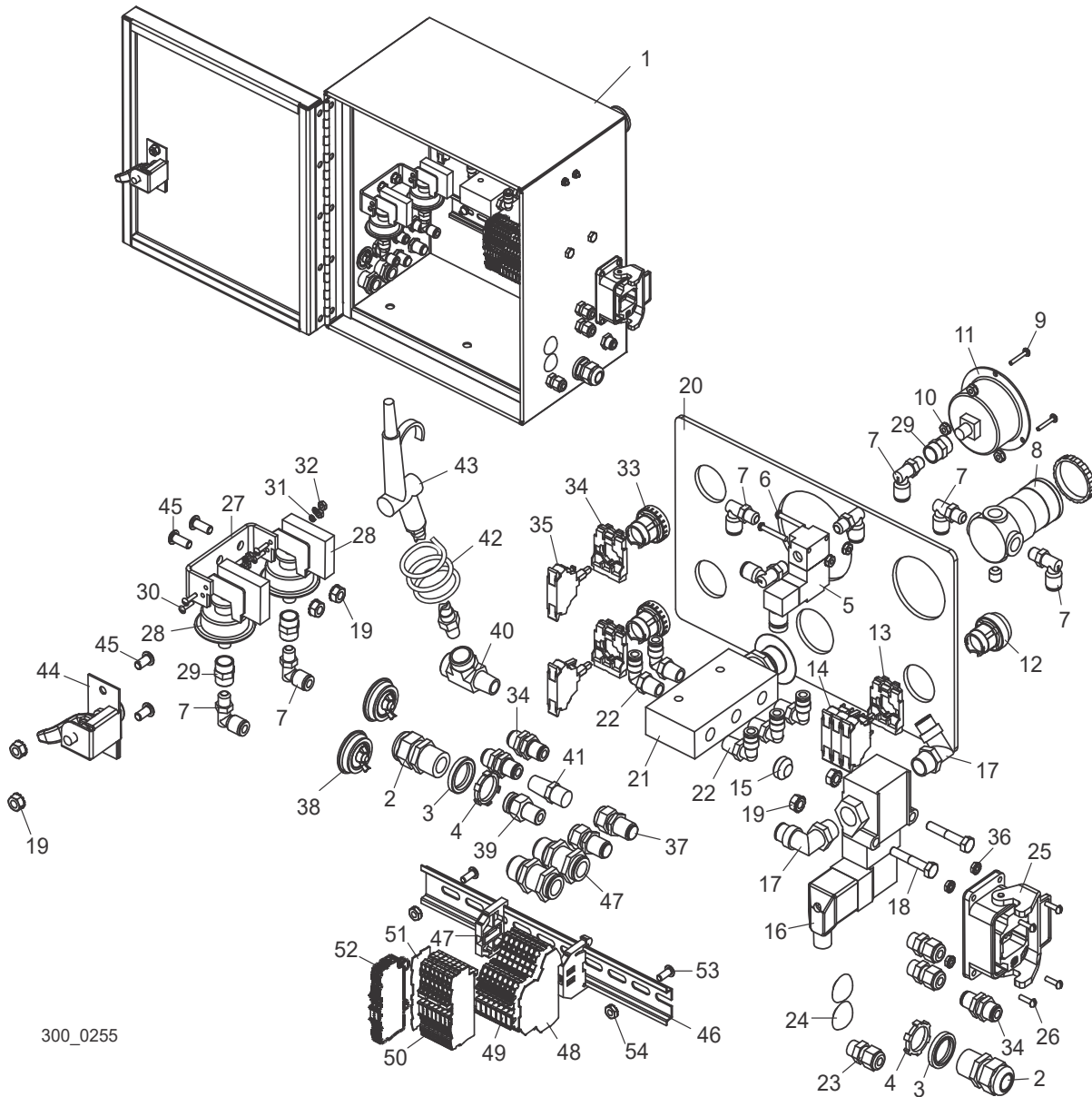


REF	DESCRIPTION (◆ Indicates Parts Available In Assemblies Only)	PART #	QTY.
1	DECAL, RESHARP INFO	P12879	1
2	DECAL, TRANSDUCER ADJUSTMENT CAUTION	042674	1
3	DECAL, WM4000 GREEN LOGO 18"	N/A	1
4	DECAL, SAWDUST CHUTE WARNING	P11754	1
5	DECAL, EYE/EAR PROTECTION WARNING	P12879	1
6	DECAL, MOVING PARTS DANGER	033254	2
7	DECAL, WARNING STRIPE	016834	7
8	DECAL, BLADE INSPECTION WARNING	034801	1
9	DECAL, BLADE GUIDE INFO (LARGE)	034803	1

4 Saw Head

Head/Air Box Control Assembly

4.8 Head/Air Box Control Assembly



REF	DESCRIPTION (◆ Indicates Parts Available In Assemblies Only)	PART #	QTY.
	CONTROL ASSEMBLY, INDUSTRIAL MILL HEAD/AIR BOX	069995 1	1
1	Box Weldment, Industrial Mill Head/Air	069994	1
2	Connector, 1/2" NPT .17-.47	051299	2
3	Ring, 1/2" Sealing	E20460	2
4	Nut, 1/2" NPT Connector Lock	E20461	2
5	Valve, Air 3 Way 1/8" NPT Din C Conn	045225	1

Saw Head
Head/Air Box Control Assembly **4**

6	Screw, 6-32 x 1" SL Round Head Machine	F05004-146	2	
7	Fitting, 1/8" MPT x 1/4" Tube Swivel Elbow	P09736	8	
8	Regulator Kit, Air	045247	1	
	Regulator, 1/8" NPT Air	052509	1	
	Nut, Regulator Mount	052510	1	
9	Screw, #6-32 x 3/4" Socket Button Head Stainless	F05004-93	3	
10	Nut, #6-32 Hex Self-Locking	F05010-59	3	
11	Gauge, Air Pressure	042342	1	
12	Push Button, Ill. Ext Yellow ZB5	068901	1	
13	Switch Collar Assembly, Mount 1NC ZB5	068950	1	
14	Switch Block, NO ZB5	068920	1	
15	Plug, 3/8-18 Pipe SHPS BRZ	035665	1	
16	Valve Assembly, Blow-Off	042659	1	
17	Fitting, 3/8" NPT x 1/2" Tube Swivel Elbow	034009	2	
18	Bolt, 1/4-20 x 1 1/2" Hex Head Full Thread	F05005-31	2	
19	Nut, 1/4-20 Hex Self-Locking	F05010-9	6	
20	Decal, Head/Air Control Box	052274	1	
21	Valve, 4-Way Push/Pull 1/4" NPT	025301	1	
22	Fitting, 1/4" NPT x 1/4" Tube Elbow	P21519	5	
23	Cord Conn, .5 Hole .064-.210 Cord	E23494	2	
24	Plug, 1/2" Hole Heyco 3830	068164	2	
25	Connector Assy, Ind. Mill Head Internal	078664	1	
26	Screw, #6-32 x 1/2" SI RH	F05015-24	4	
27	Bracket, Pressure Switch Mount	042256	1	
28	Switch, Limit Pressure 60 PSI	045207	2	
29	Fitting, 1/8" FPT Coupling	P05748	3	
30	Screw, #4-40 x 5/8" Slotted Round Head	F05004-49	4	
31	Washer, #4 Split Lock	F05011-21	4	
32	Nut, #4 Hex	F05010-43	4	
33	Pilot Light, Yellow ZB5	068931	2	
34	Switch Collar, Mount ZB5	068951	2	
35	Light Module, White ZB5	068912	2	
36	Nut, #6-32 Keps	F05010-59	4	
37	Fitting, 1/4" Tube x 1/4" NPT Female Bulkhead	025235	2	
38	Plug, AS050 Oiltite	024685	2	
39	Fitting, 1/4" NPT x 3/8" Tube	P21559	1	
40	Fitting, 1/4" Male Run Tee	P09141	1	
41	Muffler, 1/4" NPT Air	P20904	1	
42	Hose, 1/4" x 6' Coiled Air	042453	1	
43	Nozzle, Air Spray	P02714	1	
44	Latch, Door	P20048	1	
45	Screw, 1/4-20 x 1/2" BHSC SS Gr2	F05005-112	2	
46	DIN Rail, 35mm x 7.5mm x 10" Steel Sym	024474-10	1	

4

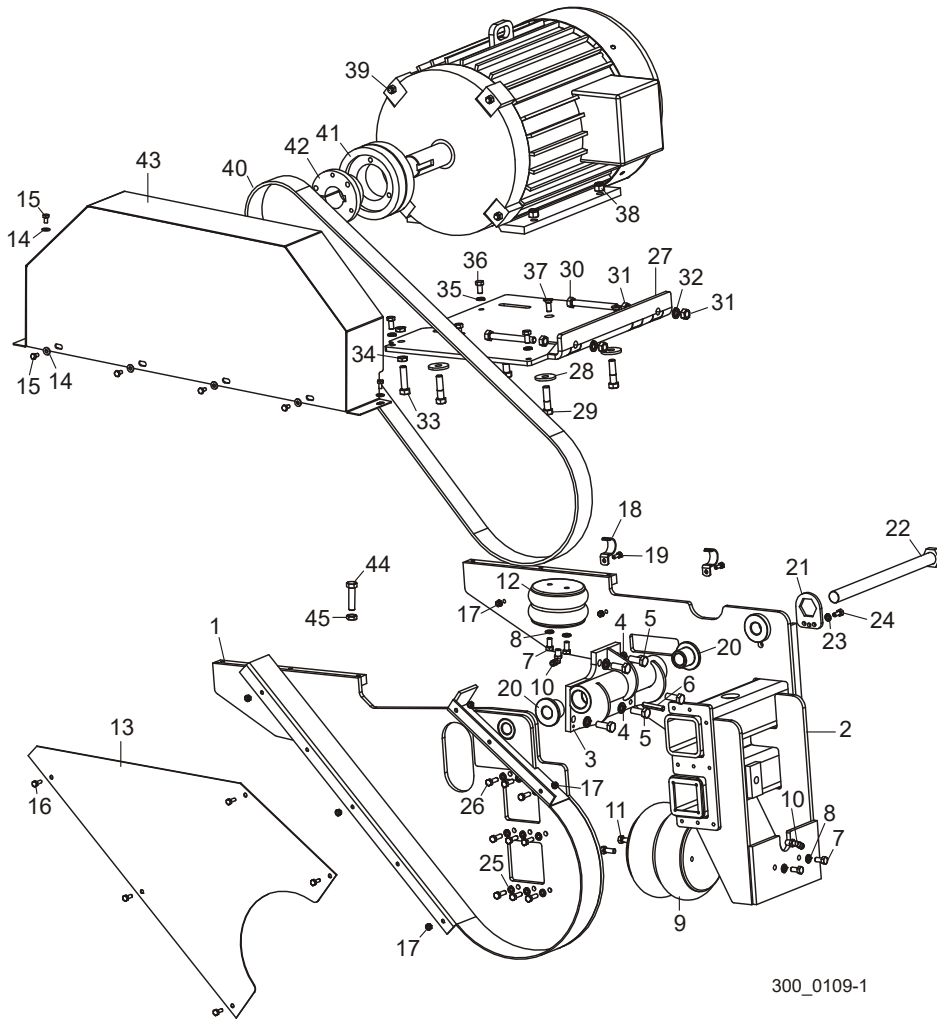
Saw Head

Head/Air Box Control Assembly

47	Din Clamp, Screwless	051986	2	
48	Terminal Block, 2 Tier 4mm End Plate	068120	1	
49	Terminal Block, 2 Tier 4mm Clamp	068119	7	
50	Terminal Block, 4Pos 2.5mm Com Clamp	068103	7	
51	Terminal Block, 4Pos 2.5mm End Plate	068105	4	
52	Terminal Block, 4Pos 2.5mm GND Clamp	068104	2	
53	Screw, 10-24 x 1/2" BSHS Stainless Steel	F05004-196	2	
54	Nut, #10-24 Keps	F05010-14	2	
	Washer, 7/8" SAE Flat	F05011-73	1	
	Cable Assembly, Industrial Mill Bld Brk Sol.	069977	1	
	Cable Assembly, Industrial Mill Blow Off Sol.	069978	1	
	Cable Assembly, Industrial Mill Blade Guide Motor	069988	1	
	Cable Assembly, Industrial Mill Blade Break Prox	078662	1	
	Cable Assembly, Industrial Mill Ball Nut Prox.	078663	1	
	Cable Assembly, Industrial Mill Laser	068074	1	
	Cable Assembly, Industrial Mill Feed Encoder Power	068048	1	
	Hose, 1/4" Chainflex Air	R01869-3	178.5"	
	Hose, 1/2" Chainflex Air	R01869-5	64"	

¹ 078664 replaced 069948 Connector Assy, Ind. Mill Head Internal, 078662 replaced 069984 Cable Assembly, Industrial Mill Blade Break Prox, 078663 replaced 069987 Cable Assembly, Industrial Mill Ball Nut Prox. (Rev. B2.00+).

4.9 Blade Motor Drive Assembly



REF	DESCRIPTION (◆ Indicates Parts Available In Assemblies Only)	PART #	QTY.
1	BRACKET WELDMENT, FRONT MOTOR MOUNT	033211	1
2	BRACKET WELDMENT, REAR MOTOR MOUNT	033216	1
3	PIVOT WELDMENT, MOTOR MOUNT	033206	1
4	WASHER, 1/2" SPLIT LOCK	F05011-9	5
5	BOLT, 1/2-13 X 1 1/4" HEX HEAD GRADE 5	F05008-37	5
6	PIN, 3/8" X 2" ROLL	F05012-42	2
7	BOLT, 3/8-16 X 3/4" HEX HEAD GRADE 2	F05007-27	4
8	WASHER, 3/8" SPLIT LOCK	F050011-4	4
9	BAG, TENSIONER AIR	033229	1
10	FITTING, 1/4" NPT X 1/4" AIR 90 ELBOW	P21519	2
11	BOLT, 3/8-16 X 1" HEX HEAD GRADE 5	F05007-87	2
12	BAG, MOTOR LIFT AIR	033231	1

4

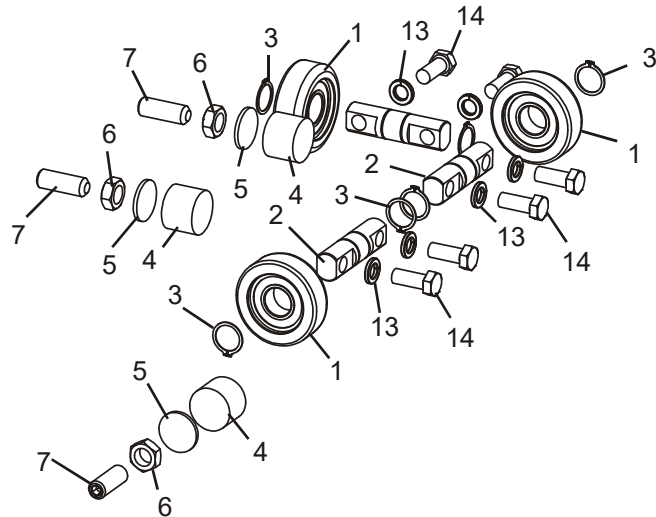
Saw Head*Blade Motor Drive Assembly*

13	COVER, BELT	036662	1	
14	BOLT, 1/4-20 X 1/2" HEX HEAD	F05005-15	5	
15	WASHER, 1/4" SAE FLAT	F05011-11	5	
16	BOLT, 1/4-20 X 3/4" HEX HEAD	F05005-129	5	
17	NUT, 1/4-20 SELF-LOCKING HEX	F05010-9	7	
18	CLAMP, 1" EMT	P05436	2	
19	BOLT, 1/4-20 X 3/4" HEX HEAD FULL THREAD	F05005-1	2	
20	BEARING, MOTOR PIVOT	033210	2	
21	PLATE, PIVOT BOLT LOCK	033230	1	
22	BOLT WELDMENT, MOTOR PIVOT	033225	1	
23	WASHER, 5/16" SPLIT LOCK	F05011-13	1	
24	BOLT, 5/16-18 X 3/4" HEX HEAD	F05006-5	1	
25	WASHER, 5/16" SPLIT LOCK	F05011-13	9	
26	BOLT, 5/16-18 X 1" HEX HEAD GRADE 5	F05006-48	9	
	DRIVE ASSEMBLY, 30HP 480V/60HZ PD	036638	1	
	DRIVE ASSEMBLY, 30HP 480V/50HZ PD	036640 ¹	1	
27	Plate Weldment, Motor Mount	042461	1	
28	Washer, .52" ID x 1.69" OD	014632	4	
29	Bolt, 1/2-13 x 2" Hex Head	F05008-76	4	
30	Bolt, 1/2-13 x 4 1/2" Hex Head Full Thread	F05008-16	2	
31	Nut, 1/2-13 Hex	F05010-35	4	
32	Washer, 1/2" Split Lock	F05011-9	2	
33	Bolt, 1/2-13 x 2" Hex Head Full Thread	F05008-8	1	
34	Nut, 1/2-13 Hex Jam	F05010-31	2	
35	Washer, 3/8" Split Lock	F05011-4	4	
36	Bolt, 3/8-16 x 3/4" Hex Head Grade 2	F05007-27	4	
37	Bolt, 3/8-16 x 1" Flat Socket Head	F05007-64	2	
38	Nut, 1/2-13 Hex Nylon Lock	F05010-8	4	
39	Motor, 30HP 1800RPM	042301	1	
40	Belt, Eagle PD G2380	036636	1	
41	Pulley, Eagle PD G36SSF	036634	1	
	Pulley, Eagle PD G45SE (50Hz)	036635	1	
42	Bushing, SF x 1 7/8"	039266	1	
	Bushing, E x 1 7/8" (50Hz)	036637 ¹	1	
43	Cover Weldment, Belt Guard	036678	1	
44	BOLT, 1/2-13 X 2" HEX HEAD FULL THREAD	F05008-8	1	
45	NUT, 1/2-13 HEX JAM	F05010-31	1	

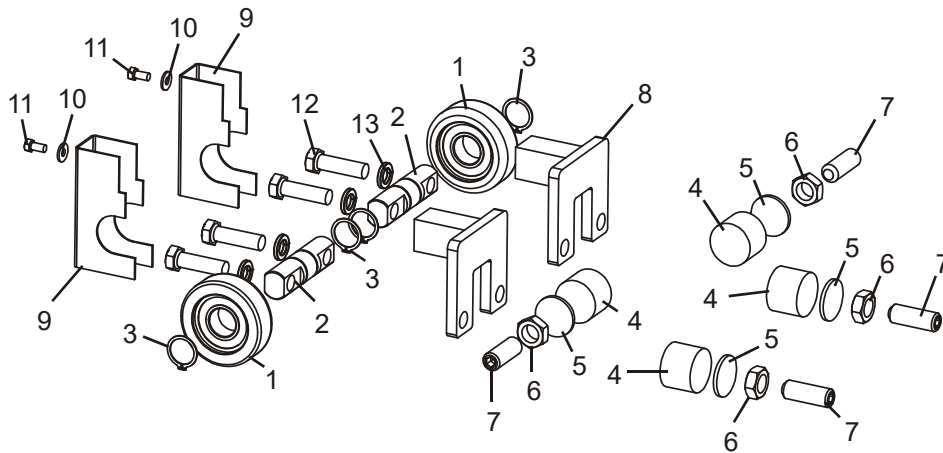
¹ Alternate drive belt, motor pulley and bushing for 50Hz operation.

SECTION 5 UP/DOWN SYSTEM

5.1 Mast Pads & Rollers



300_0028-4



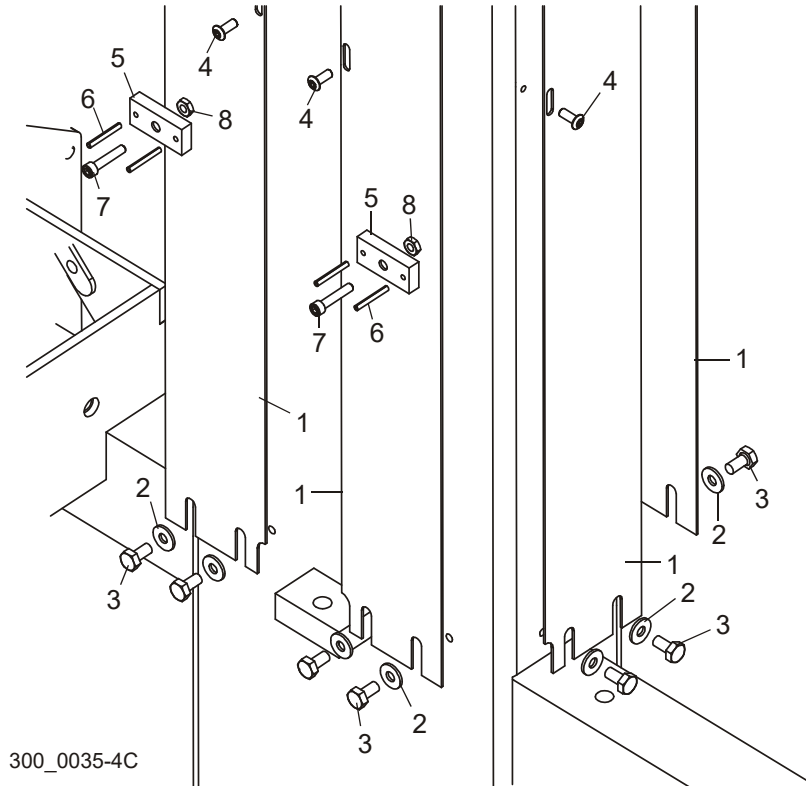
REF	DESCRIPTION (◆ Indicates Parts Available In Assemblies Only)	PART #	QTY.
1	BEARING, MG305DDA	023857	5
2	SHAFT, UP/DOWN MAST BEARING	023858	5
3	RING, 1" OUTSIDE RETAINING	F04254-15	10
4	PAD, ROUND NYLON	033098	7
5	PAD, NYLON BACKING	042432	7
6	NUT, 5/8-18 HEX JAM	F05010-11	7
7	SCREW, 5/8-18 X 1 3/4" SOCKET HEAD FLAT POINT SET	F05009-27	7
8	BRACKET WELDMENT, UP/DOWN BEARING MOUNT	045048	2
9	COVER, MAST BEARING	045047	2

5 Up/Down System

Mast Pads & Rollers

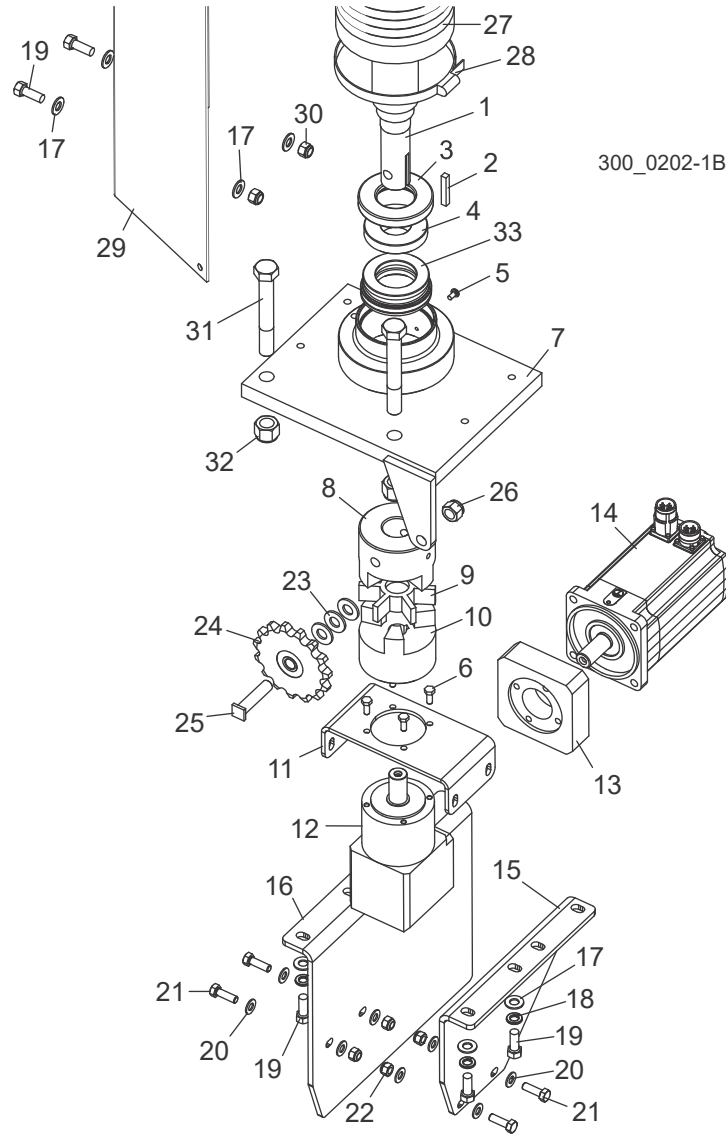
10	WASHER, 1/4" SAE FLAT	F05011-11	2	
11	BOLT, 1/4-20 X 1/2" HEX HEAD	F05005-15	2	
12	BOLT, 1/2-13 X 1 3/4" HEX HEAD GRADE 5	F05008-88	4	
13	WASHER, 1/2" SPLIT LOCK	F05011-9	10	
14	BOLT, 1/2-13 X 1 1/4" HEX HEAD GRADE 5	F05008-37	6	

5.2 Bearing Rails



REF	DESCRIPTION (◆ Indicates Parts Available In Assemblies Only)	PART #	QTY.
	RAIL KIT, UP/DOWN BEARING	042788	1
1	Rail, Up/Down Bearing	042773	6
2	Washer, 1/4" SAE Flat	F05011-11	24
3	Bolt, 1/4-20 x 1/2" Hex Head	F05005-15	24
4	Screw, #10-24 x 1/2" Button Socket Head	F05004-35	18
5	PAD, HEAD PLASTIC	045056	2
6	PIN, 1/8" X 1" ROLL	F05012-34	4
7	BOLT, #10-24 X 1" SOCKET HEAD	F05004-2	2
8	NUT, #10-24 HEX	F05010-115	2

5.3 Up/Down Ballscrew Drive



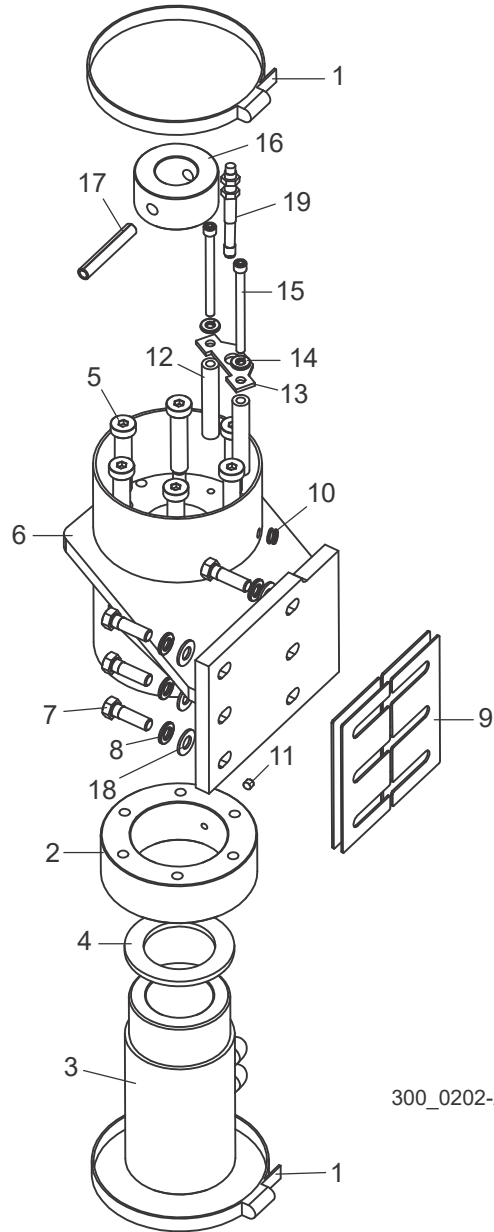
REF	DESCRIPTION (◆ Indicates Parts Available In Assemblies Only)	PART #	QTY.
	DRIVE ASSEMBLY, 2" BALLSCREW UP/DOWN (WM4000)	065968	1
1	Shaft, 2" x .5" Ballscrew	042858	1
	Grease, 10cc Syringe Up/Down Ballscrew	042399	1
2	Key, 1/4" Square x 1 5/8"	042810	1
3	Seal, 1 5/8" ID Thrust Bearing	042857	1
4	Spacer, Screw/Bearing Support	042856	1
5	Screw, #10-24 x 3/8" Phillips Pan Head	F05004-3	1
6	Screw, M6 x 1.0 x 16mm 8.8 Hex Head	F05004-219	4
	Middle Ballscrew Mount Parts (See Section 5.4)		

7	Bracket Weldment, Up/Down 45mm Ballscrew Mount	017790	1	
8	Coupling, Modified L110 x 1 1/4" Body	017787	1	
9	Coupling, L110 Spider	042809	1	
10	Coupling, L110 x 20mm Body	065993	1	
11	Plate, Servo Mounting	071277	1	
12	Gearbox, GBY Angular 80mm 8:1	068037	1	
13	Gearbox Kit, Size 80 BMH	068039	1	
14	Motor, Servo 100mm IP54 Encoder	068038	1	
15	Plate, Servo Mounting Left	071251	1	
16	Plate, Servo Mounting Right	071250	1	
17	Washer, 3/8" SAE Flat	F05011-3	18	
18	Washer, 3/8" Split Lock	F05011-4	10	
19	Bolt, 3/8-16 x 1" Hex Head	F05007-7	6	
20	Washer, 5/16" SAE Flat	F05011-17	8	
21	Bolt, 3/8-16 x 3/4" Hex Head	F05007-27	4	
22	Nut, 5/16-18 Hex	F05010-58	8	
23	Washer, 1/2" SAE Flat	F05011-2	3	
24	Sprocket, Idler	042367	1	
25	Shaft, Idler Sprocket	016828	1	
26	Nut, 1/2-13 Hex Nylon Lock	F05010-8	1	
27	Bellows, 5" ID x 45" Ballscrew Protective	017777	1	
28	Clamp, Bellows Worm	042419	1	
29	Guard Weldment, Up/Down Bellows	017647	1	
30	Nut, 3/8-16 Hex Nylon Lock	F05010-10	2	
31	Bolt, 5/8-11 x 4 1/2" Hex Head Grade 5	F05009-10	2	
32	Nut, 5/8-11 Hex Nylon Lock	F05010-34	2	
33	Bearing Assy, 45 mm Thrust	110569	1	
	Spacer, 45 mm Thrust Bearing	110565 ¹	1	
	Bearing, 45 mm Thrust, 53209	110567	1	
	Seating Washer, 45 mm Thrust Bearing	110568	1	
	Oil, 8 Oz. Mobil SHC634 Bottled Synthetic Gear	L04869-4	1 ²	
	Top Ballscrew Mount Parts (See Section 5.5)			

¹ Replaced 042855-1 & 042855-2 Thrust Bearing components no longer available (Rev. B3.01).

² 12 - 15 oz. required for complete oil replacement.

5.4 Ballscrew Mount (Middle)

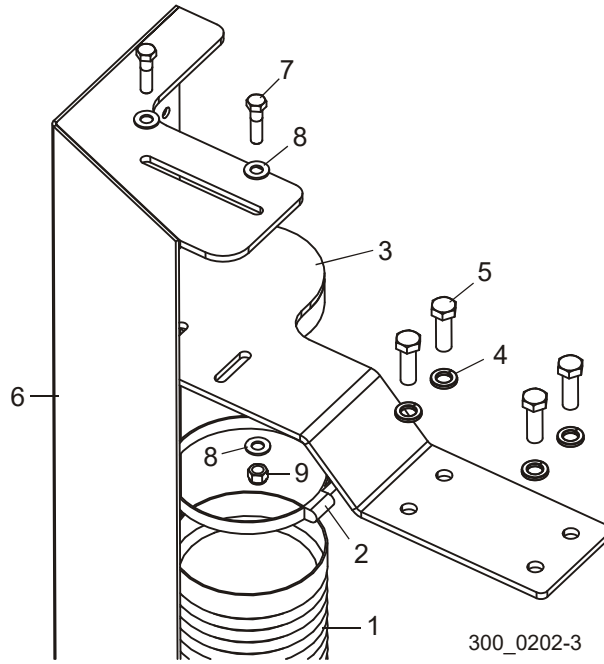


300_0202-2

REF	DESCRIPTION (◆ Indicates Parts Available In Assemblies Only)	PART #	QTY.	
1	CLAMP, BALLSCREW BELLOWS	042419	2	
	LOWER BALLSCREW MOUNT PARTS (See Section 5.3)			
	GREASE, 10CC SYRINGE UP/DOWN BALLSCREW	042399	1	
2	FLANGE, 2" BALLSCREW NUT	042792	1	
3	NUT, 2" BALLSCREW	042791	1	
4	PLATE, BALLSCREW NUT WEAR	042816	1	

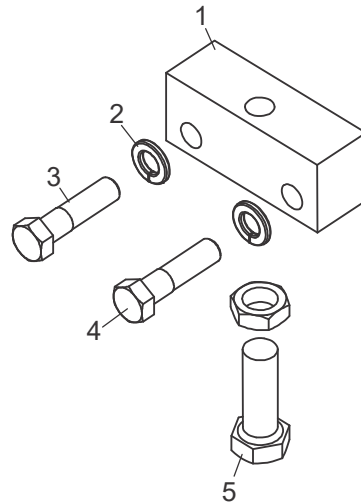
5	BOLT, 1/2" X 2 1/4" SHOULDER	F05008-136	6	
6	BRACKET WELDMENT, MIDDLE BALLSCREW MOUNT	042819	1	
7	BOLT, 3/8-16 X 1 1/4" HEX HEAD GRADE 5	F05007-123	6	
8	WASHER, 3/8" SPLIT LOCK	F05011-4	6	
9	PLATE, BALLSCREW MOUNT SHIM	016800	4	
10	GROMMET, 9/32" HOLE X 3/16" ID X 7/16" OD	042825	1	
11	SCREW, 1/4-28 X 1/4" BRASS TIP SOCKET SET	F05005-42	1	
12	SPACER, 17/64" ID X 1/2" OD X 2 3/4" LONG	042821	2	
13	PLATE, BALLSCREW SENSOR MOUNT	042815	1	
14	WASHER, 1/4" SPLIT LOCK	F05011-14	2	
15	BOLT, 1/4-20 X 3 1/4" SOCKET HEAD	F05005-154	2	
16	COLLAR, BALLSCREW NUT STOP	042822	1	
17	PIN, 3/8" X 2 1/2" ROLL	F05012-114	1	
18	WASHER, 3/8" SAE FLAT	F05011-3	6	
19	SENSOR, IND PROX M12 PNP NS EX	051439	1	

5.5 Ballscrew Mount (Top)



REF	DESCRIPTION (◆ Indicates Parts Available In Assemblies Only)	PART #	QTY.
1	BELLOWS, 5" ID X 62" BALLSCREW PROTECTIVE	042823	1
2	CLAMP, BALLSCREW BELLOWS	042419	1
3	MOUNT WELDMENT, TOP BELLOWS	042814	1
4	WASHER, 1/2" SPLIT LOCK	F05011-9	4
5	BOLT, 1/2-13 X 1 1/2" HEX HEAD	F05008-33	4
6	GUARD PARTS (See Section 5.3)		
7	BOLT, 3/8-16 X 1 1/2" HEX HEAD	F05007-3	2
8	WASHER, 3/8" SAE FLAT	F05011-3	4
9	NUT, 3/8-16 HEX NYLON LOCK	F05010-10	2

5.6 Head Stop



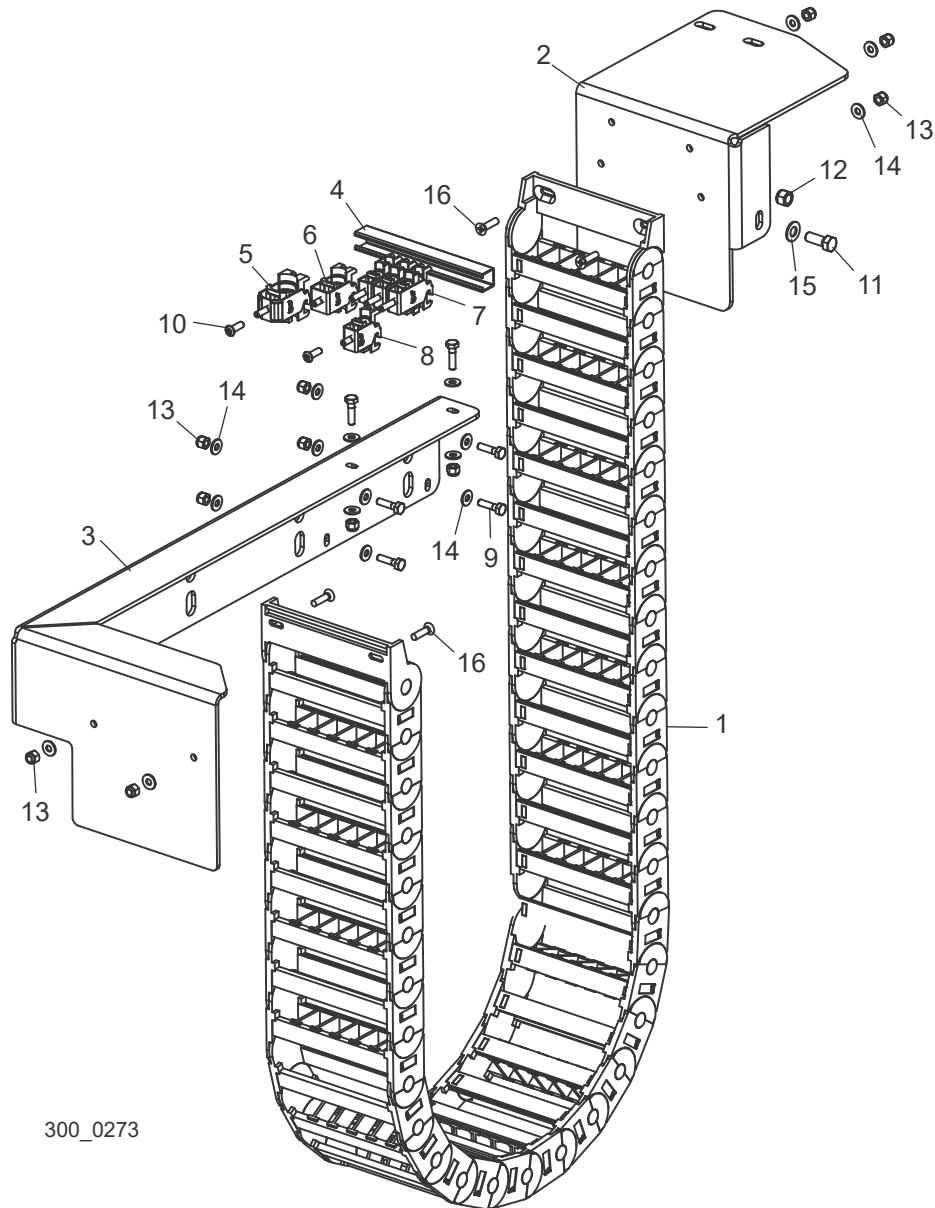
300_0256-1

REF	DESCRIPTION (◆ Indicates Parts Available In Assemblies Only)	PART #	QTY.	
1	BLOCK, HEAD STOP	023886	1	
2	WASHER, 3/8" SPLIT LOCK	F05011-4	5	
3	BOLT, 3/8-16 X 1 1/2 HEX HEAD GRADE 5	F05007-78	5	
4	NUT, 1/2-13 HEX JAM	F05010-31	1	
5	BOLT, 1/2-13 X 1 1/2" HEX HEAD GRADE 5	F05008-33	1	

5.7 Up/Down Energy Chain Assembly

WM4000

Rev. A1.00+



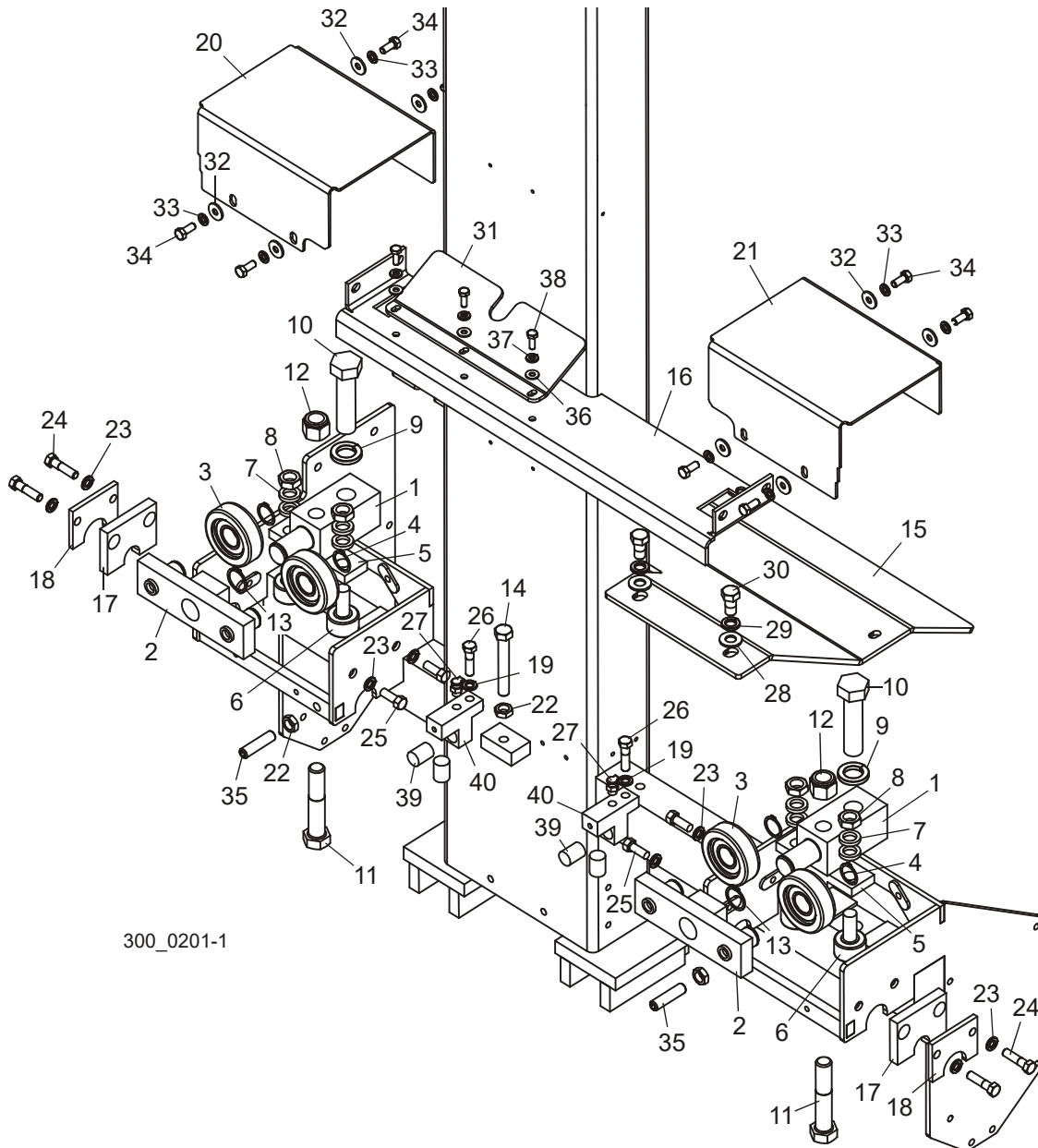
300_0273

REF	DESCRIPTION (◆ Indicates Parts Available In Assemblies Only)	PART #	QTY.	
	CHAIN ASSEMBLY, UP/DOWN ENERGY (WM4000)	074052	1	
1	Chain Assembly, Industrial Mill Up/down Energy	068207	1	
2	Plate, Energy Chain Upper Mount	071310	1	
3	Plate, Energy Chain Lower Mount	071313	1	
	Relief Assembly, WM3000/3500 Strain	074003	1	
4	Rail, CFX Strain Relief Profile	065979	1	

5	Strain Relief, CFX 22-26mm Single Cable	065975	1	
6	Strain Relief, CFX 18-20mm Single Cable	065976	1	
7	Strain Relief, CFX 6-12mm Double Cable	065977	3	
8	Strain Relief, CFX 12-14mm Single Cable	065978	1	
9	Bolt, 1/4-20 x 1" Hex Head Grade 5	F05005-101	6	
10	Screw, 1/4-20 x 3/4" SBHC	F05005-60	2	
11	Bolt, 3/8-16 x 1" Hex Head Grade 5	F05007-87	1	
12	Nut, 3/8-16 Hex Nylon Lock	F05010-10	1	
13	Nut, 1/4-20 Nylon Lock	F05010-69	12	
14	Washer, 1/4" SAE Flat	F05011-11	18	
15	Washer, 3/8" SAE Flat	F05011-3	1	
16	Bolt, 1/4-20 x 1" Flat Head	F05015-26	4	

SECTION 6 POWER FEED

6.1 Upper Track Rollers

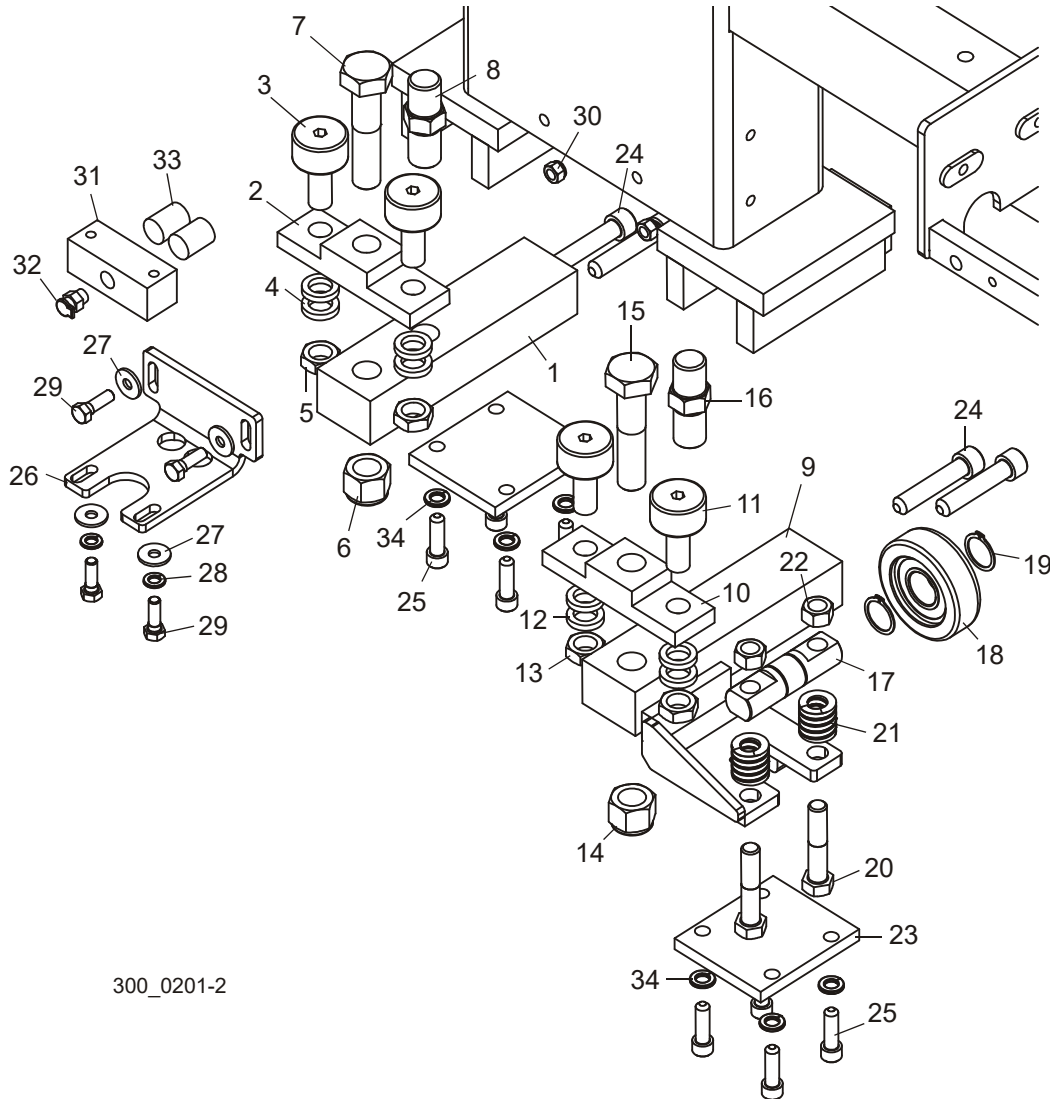


300_0201-1

REF	DESCRIPTION (◆ Indicates Parts Available In Assemblies Only)	PART #	QTY.
	BLOCK ASSEMBLY, UPPER TRACK ROLLER	042506	2
1	Block, Upper Track Roller Mount	042505	1
2	Block Assembly, Upper Roller	042507	1
3	Bearing, MG305DDA	023857	2

4	Ring, 1" Outside Retaining	F04254-15	2	
5	Block, Track Roller Mount	042500	1	
6	Bearing, 1 1/2" Track Roller	012797	2	
7	Spacer, 41/64" x 1" x 3/16"	S12480	4	
8	Nut, 5/8-18 Hex Jam	F05010-11	2	
9	Washer, 7/8" Split Lock	F05011-46	1	
10	Bolt, 7/8-14 x 3 1/2" Hex Head Grade 5	F05014-1	1	
11	Bolt, 3/4-10 x 4" Hex Head Grade 5	F05013-3	1	
12	Nut, 3/4-10 Hex Nylon Lock	F05010-103	1	
13	Ring, 1 1/8" External Retaining Ring	F04254-36	1	
14	BOLT, 1/2-13 X 3 1/2" HEX HEAD FULL THREAD	F05008-11	1	
15	GUARD, MOTOR	065961	1	
16	COVER WELDMENT, UPPER TRACK ROLLER CENTER	042391	1	
17	PAD, PLASTIC WIPER	045175	2	
18	PLATE, WIPER PAD	045176	2	
19	WASHER, 3/8" SPLIT LOCK	F05011-4	2	
20	COVER, RIGHT UPPER TRACK ROLLER	042394	1	
21	COVER, LEFT UPPER TRACK ROLLER	042368	1	
22	NUT, 1/2-13 HEX JAM	F05010-31	3	
23	WASHER, 3/8" SPLIT LOCK	F05011-4	10	
24	BOLT, 3/8-16 X 1 1/2" HEX HEAD	F05007-3	4	
25	BOLT, 3/8-16 X 1" HEX HEAD	F05007-7	4	
26	BOLT, 3/8-16 X 1 1/2" HEX HEAD	F05007-3	2	
27	FITTING, 1/8" NPT OIL W/COVER	036333	2	
28	WASHER, 1/2" SAE FLAT	F05011-2	2	
29	WASHER, 1/2" SPLIT LOCK	F05011-9	2	
30	BOLT, 1/2-13 X 1" HEX HEAD	F05008-50	2	
31	PLATE, SAWDUST RAMP	016801	1	
32	WASHER, 5/16" STANDARD FLAT	F05011-16	8	
33	WASHER, 5/16" SPLIT LOCK	F05011-13	8	
34	BOLT, 5/16-18 X 3/4" HEX HEAD	F05006-5	8	
35	SCREW, 1/2-13 X 2" FLAT POINT SOCKET SET	F05008-130	2	
36	WASHER, 1/4" SAE FLAT	F05011-11	3	
37	WASHER, 1/4" SPLIT LOCK	F05011-14	3	
38	BOLT, 1/4-20 X 3/4" HEX HEAD	F05005-129	3	
39	PAD, ROUND FELT WIPER	033375	4	
40	BLOCK, UPPER TRACK OILER	045045	2	

6.2 Lower Track Rollers



300_0201-2

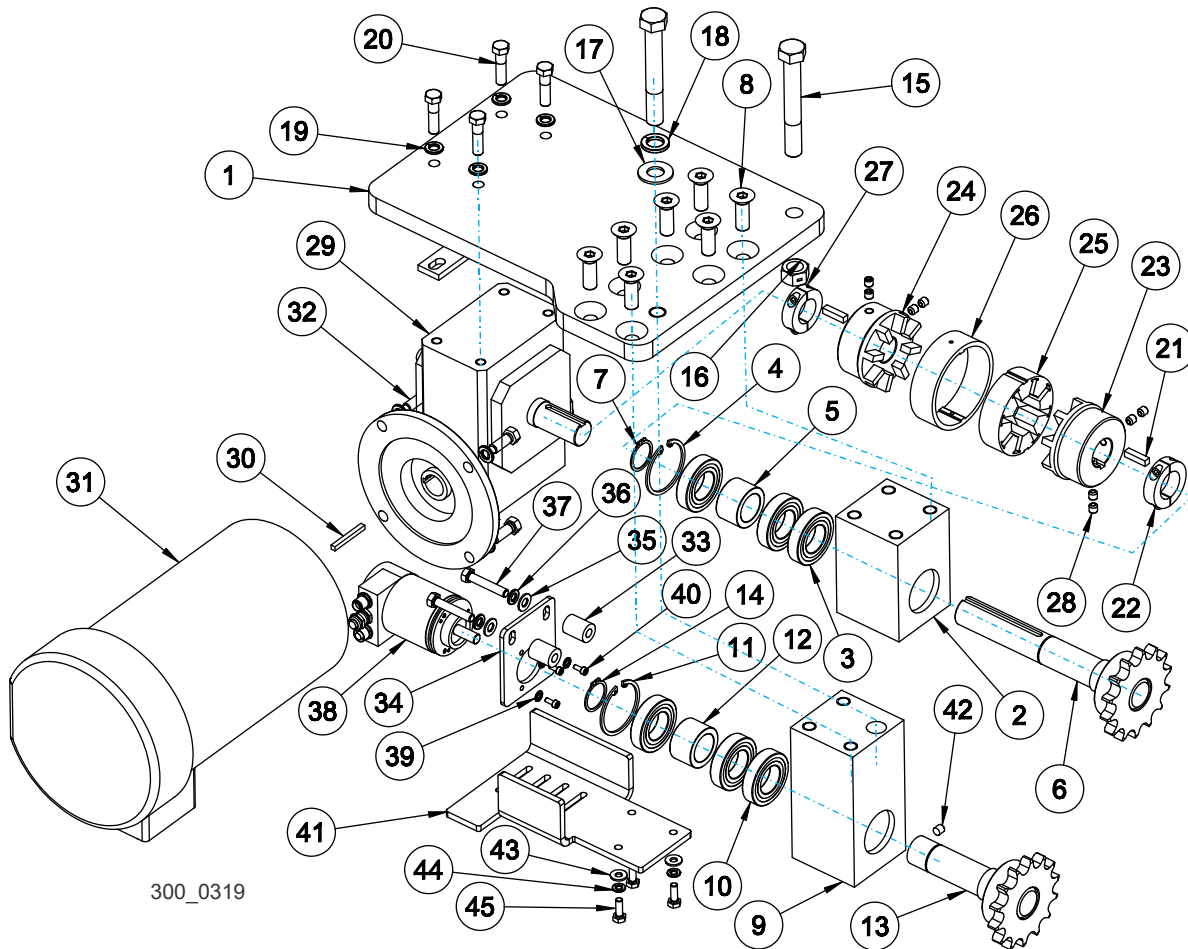
REF	DESCRIPTION (◆ Indicates Parts Available In Assemblies Only)	PART #	QTY.
	BLOCK ASSEMBLY, LOWER TRACK ROLLER	036345	1
1	Block Weldment, Lower Track Roller Mount	036326	1
2	Block, Track Roller Mount	042500	1
3	Bearing, 1 1/2" Track Roller	012797	2
4	Spacer, 41/64" x 1" x 3/16"	S12480	4
5	Nut, 5/8-18 Hex Jam	F05010-11	2
6	Nut, 3/4-10 Hex Nylon Lock	F05010-103	1
7	Bolt, 3/4-10 x 3 1/2" Hex Head	F05009-54	1
8	Pin, Head Safety Lock (Threaded)	036324	1
	BLOCK ASSEMBLY, LOWER TRACK ROLLER W/BOTTOM ROLLER	036701	1

9	Block Weldment, Lower Track Roller Mount w/Bottom Roller	036700	1	
10	Block, Track Roller Mount	042500	1	
11	Bearing, 1 1/2" Track Roller	012797	2	
12	Spacer, 41/64" x 1" x 3/16"	S12480	4	
13	Nut, 5/8-18 Hex Jam	F05010-11	2	
14	Nut, 3/4-10 Hex Nylon Lock	F05010-103	1	
15	Bolt, 3/4-10 x 3 1/2" Hex Head	F05009-54	1	
16	Pin, Head Safety Lock (Threaded)	036324	1	
17	Shaft, Bottom Roller Mount	023858	1	
18	Bearing, MG305DDA	023857	1	
19	Ring, 1" Outside Retaining	F04254-15	2	
20	Bolt, 1/2-13 x 2 1/2" Hex Head Grade 5	F05008-74	2	
21	Spring, 1/2" ID x 1" OD x 1" Die	036713	2	
22	Nut, 1/2-13 Hex Lock	F05010-3	2	
23	PLATE, LOWER ROLLER RETAINER	045158	2	
24	BOLT, 1/2-20 X 2 1/2" SOCKET HEAD	F05008-45	4	
25	BOLT, 3/8-16 X 1 1/4" SOCKET HEAD	F05007-150	8	
26	PLATE, LOWER TRACK OILER MOUNT	042415	1	
27	WASHER, 5/16" STANDARD FLAT	F05011-16	4	
28	WASHER, 5/16" SPLIT LOCK	F05011-13	2	
29	BOLT, 5/16-18 X 1" HEX HEAD	F05006-1	4	
30	NUT, 5/16-18 HEX NYLON LOCK	F05010-58	2	
31	BLOCK, LOWER TRACK OILER	036334	1	
32	FITTING, 1/8" NPT OIL W/COVER	036333	1	
33	PAD, ROUND FELT WIPER	033375	2	
34	WASHER, 3/8" SPLIT LOCK	F05011-4	8	

6.3 Power Feed Drive

WM4000

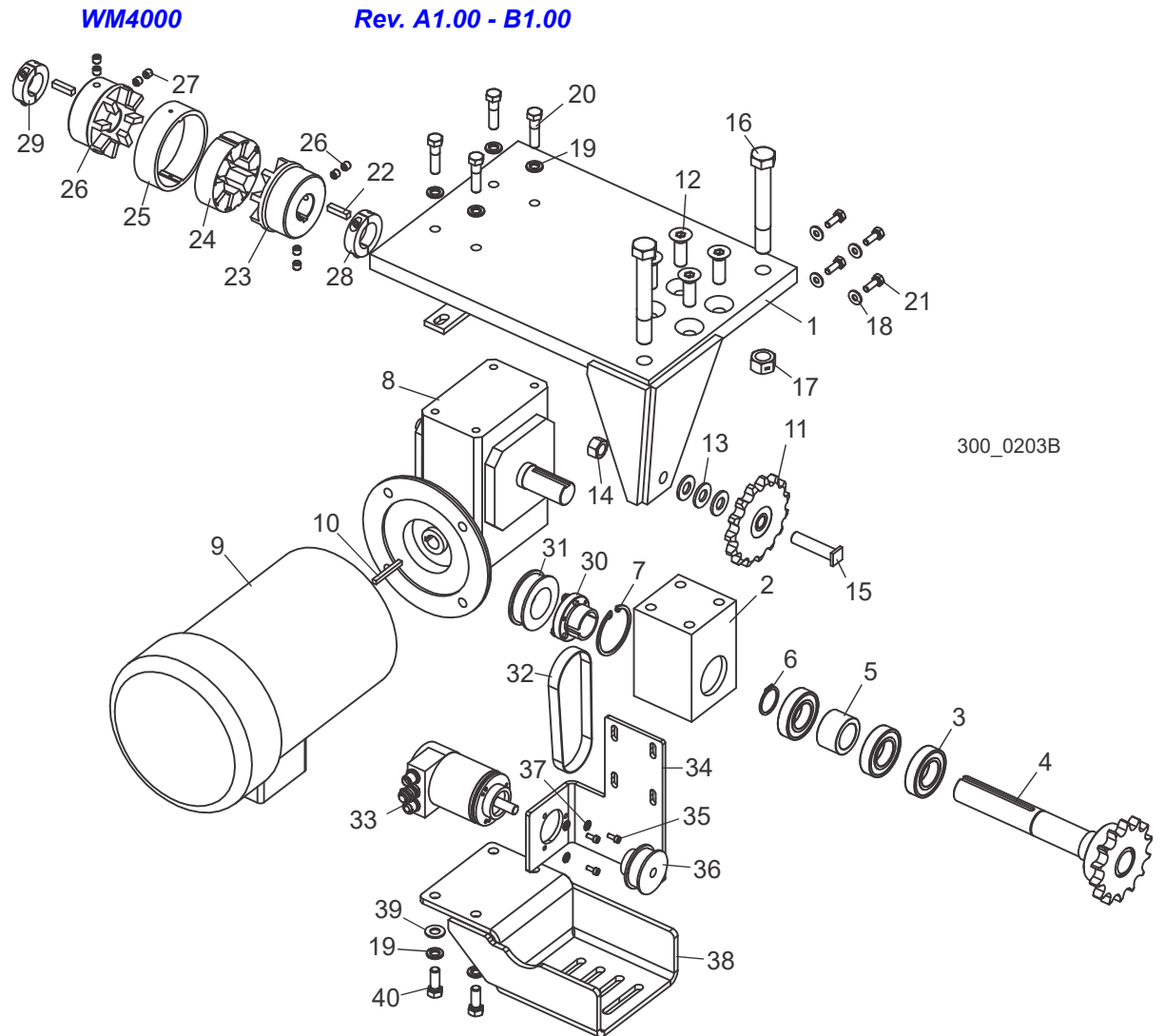
Rev. B1.01+



REF	DESCRIPTION (◆ Indicates Parts Available In Assemblies Only)	PART #	QTY.
	ASSEMBLY, WM4000 POWER FEED	108121	1
1	Weldment, WM4000 P/F Mount Plate	108126	1
	Assembly, 1-1/8 P/F Shaft Bearing	042383	1
2	Block, P/F Bearing Housing	042381	1
3	Bearing, 1-1/8 Bore R18-2Rs	066798	3
4	Ring, 2-1/8 Internal Retaining	F04254-38	1
5	Spacer, 1-1/8 P/F Bearing	042387	1
6	Weldment, 1-1/8 Dia P/F Shaft	042365	1
7	Ring, 1 1/8 External Retaining	F04254-36	1
8	Screw, 1/2-13 x 1.5 FHSB B/O	F05008-80	7
	Assembly, WM4000 P/F Idler Shaft	108122	1
9	Block, WM4000 P/F Encoder Housing	108123	1
10	Bearing, 1-1/8 Bore R18-2Rs	066798	3

11	Ring, 2-1/8 Internal Retaining	F04254-38	1	
12	Spacer, 1-1/8 P/F Bearing	042387	1	
13	Weldment, WM4000 PF Encoder Shaft	108124	1	
14	Ring, 1 1/8 External Retaining	F04254-36	1	
15	Bolt, 5/8-11x4 1/2 Hex Head Gr5	F05009-10	2	
16	Nut, 5/8-11 Swaged Hex	F05010-4	1	
17	Washer, 5/8 SAE Flat	F05011-5	1	
18	Washer, 5/8 Split Zinc Lock Gr8	F05011-118	1	
19	Washer, 3/8 Split Lock	F05011-4	8	
20	Bolt, 3/8-16X1 1/2 Hex Head GR2, Zinc	F05007-3	4	
21	Key, 1/4x1	S21486	2	
22	Collar, 1 1/8" Shaft, Clamp-On	038445	1	
	Coupling, 10Rx1x1-1/8 Power Feed	042655	1	
23	Coupling Body, 10Rx1-1/8	042655-4	1	
24	Coupling Body, 10Rx1	042655-1	1	
25	Coupling Spider, Urethane, 10R	042655-2	1	
26	Coupling Ring, Steel, 10R	042655-5	1	
27	Collar, 1" Shaft, Clamp-On	038444	1	
28	Screw, M8-1.25x8mm SH Set BO	F05004-234	8	
29	Gearbox, WM4000 P/F IUC60-7.5:1-R-140TC	079194	1	
30	Key, 3/16x1-3/4 Square	074129	1	
31	Motor, 2HP 3P 230/460 145TC Premium Eff	079196	1	
32	Bolt, 3/8-16x1 Gr5 Hex Head	F05007-87	4	
33	Spacer, 11/32x3/4x.96	110027	2	
34	Plate, WM4000 PF Encoder Mnt	110026	1	
35	Washer, 5/16 SAE Flat	F05011-17	2	
36	Washer, 5/16 Split Lock	F05011-13	2	
37	Bolt, 5/16-18x1 3/4 FT Gr5	F05006-81	2	
38	Encoder WM4000	068046	1	
39	Washer, M4 Split Washer, Zinc	F05011-57	3	
40	Screw, M4-.7x10 SHC Zinc	F05004-263	3	
41	Plate, WM4000 PF Encoder Guard	108129	1	
42	Screw, 5/16-24x3/8 SHOP Set	F05006-40	1	
43	Washer, 1/4 SAE Flat	F05011-11	3	
44	Washer, 1/4 Split Lock	F05011-14	3	
45	Bolt, 1/4-20x3/4 Hex Head Gr5	F05005-123	3	

6.4 Power Feed Drive



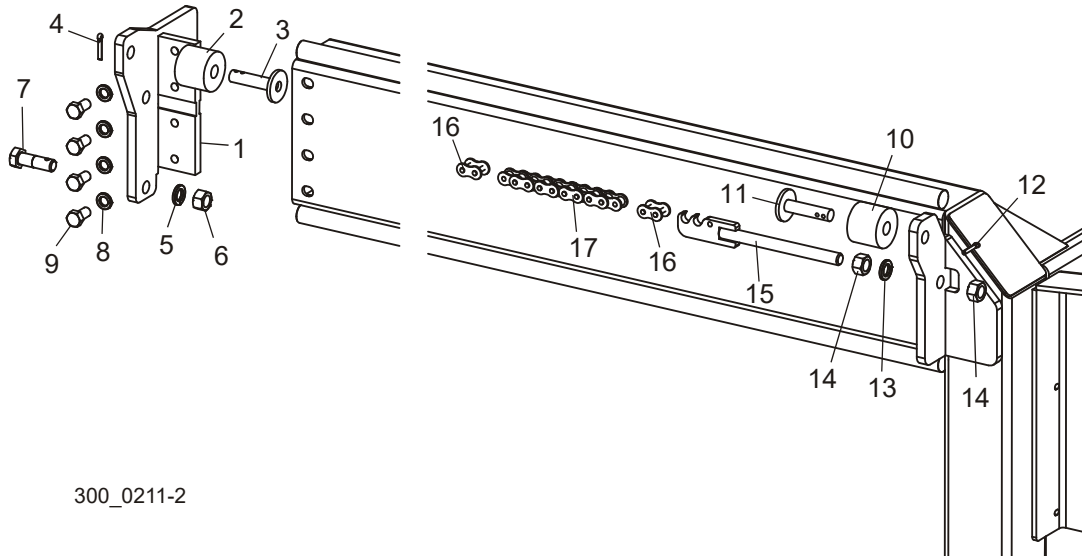
REF	DESCRIPTION (◆ Indicates Parts Available In Assemblies Only)	PART #	QTY.
	DRIVE ASSEMBLY, WM4000 POWER FEED	065969 ¹	1
1	Bracket Weldment, Power Feed Drive Mount	042384	1
	Shaft Assembly, Power Feed Drive	042383	1
2	Block, Power Feed Drive Shaft Bearing	042381	1
3	Bearing, R18	066798	3
4	Shaft Weldment, Power Feed Drive	042365	1
5	Spacer, Power Feed Bearing	042387	1
6	Ring, 1 1/8" Outside Retaining	F04254-36	1
7	Ring, 2 1/8" Inside Retaining	F04254-38	1
8	Gearbox, WM4000 P/F IUC60-7.5:1-R-140TC	079194 ²	1

9	Motor, 2HP 3P 230/460 145TC Premium Eff	079196 ²	1	
10	Key, 3/16" Square x 1 3/4" Long	074129	1	
11	Sprocket, 6015 x 1/2" Idler	042367	1	
12	Screw, 1/2-13 x 1 1/2" Flat Socket Head	F05008-80	4	
13	Washer, 1/2" SAE Flat	F05011-2	3	
14	Nut, 1/2-13 Hex Lock	F05010-3	1	
15	Shaft, Power Feed Idler Sprocket	016828	1	
16	Bolt, 5/8-11 x 4 1/2" Hex Head Grade 5	F05009-10	2	
17	Nut, 5/8-11 Hex Lock	F05010-4	2	
18	Washer, 1/4" SAE Flat	F05011-11	4	
19	Washer, 3/8" Split Lock	F05011-4	8	
20	Bolt, 3/8-16 x 1 1/2" Hex Head	F05007-3	4	
21	Bolt, 1/4-20 x 3/4" Hex Head Grade 5	F05005-123	4	
22	Key, 1/4" x 1"	S21486	2	
	Coupling, Power Feed Shaft	042655	1	
23	Coupling Body, 10R x 1 1/8"	042655-4	1	
24	Coupling Spider, 10R Urethane	042655-2	1	
25	Coupling Ring, 10R Steel	042655-5	1	
26	Coupling Body, 10R x 1"	042655-1	1	
27	Screw, M8-1.25 x 8mm Socket Head Set	F05004-234	8	
28	Collar, 1 1/8" Shaft Clamp-On	038445	1	
29	Collar, 1" Shaft Clamp-On	038444	1	
30	Bushing, Encoder Timing Pulley	068298	1	
31	Pulley, 16 Tooth L Timing-Belt	071254	1	
32	Belt, Encoder Timing	071255	1	
33	Encoder Assembly, Industrial Mill Feed	068046	1	
34	Bracket, Encoder	068299	1	
35	Screw, M4-0.7 x 10mm PK/100	F05004-263	3	
36	Pulley, 10mm ID 16 Tooth	071253	1	
37	Washer, 3/8" Split Washer	F05011-57	3	
38	Plate, PF Encoder Guard	074206	1	
39	Washer, 3/8" SAE Flat	F05011-3	4	
40	Bolt, 3/8-16 x 1" Hex Head Grade 5	F05007-87	4	
	Oil, 8 Oz. Mobil SHC634 Bottled Synthetic Gear	L04869-4	1	

¹ Power feed encoder position changed by 90 degrees and 074206 encoder guard plate and fasteners added (Rev. A3.00).
To update this assembly to newer version - 108121, use 114120-KIT with new mounting assembly for mills with B1.00 version.
For versions up to B1.00 use 114120-KIT, 078373-FR and 078440. Contact customer service to determine all necessary parts.

² 079194 replaces 068177 LT300 Power Feed Gearbox and 079196 replaces 042390 2HP Power Feed Motor (Rev. A8.00).

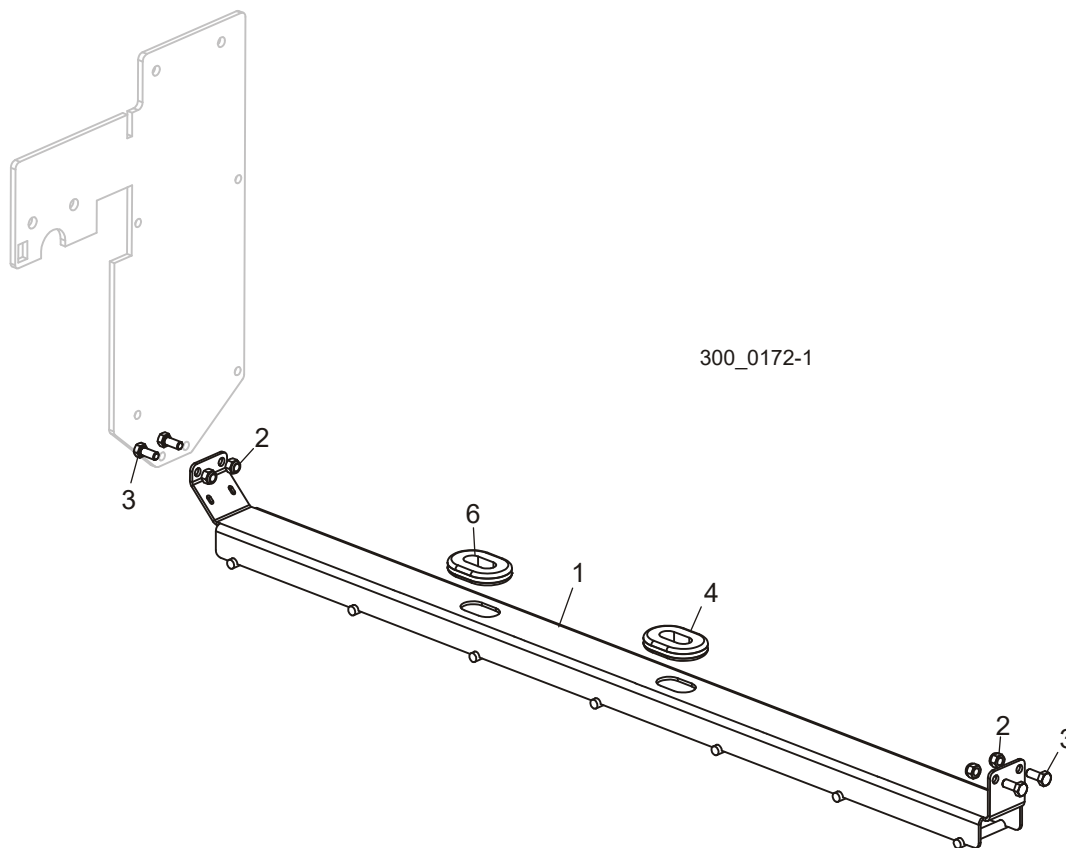
6.5 Feed Chain & Stops



300_0211-2

REF	DESCRIPTION (◆ Indicates Parts Available In Assemblies Only)	PART #	QTY.
	STOP ASSEMBLY, FRONT SAW HEAD	035646	1
1	Bracket Weldment, Front Saw Head Stop	042408	1
2	Bushing, 11/16" x 2 1/8" x 1 3/4" Rubber	P12165	1
3	Pin Weldment, Head Stop	W09293	1
4	Pin, 3/16" x 1" Cotter	F05012-21	1
5	Washer, 5/8" Split Lock	F05011-27	1
6	Nut, 5/8-18 Hex	F05010-50	1
7	Bolt, #60 Feed Chain Tensioner	035653	1
8	Washer, 1/2" Split Lock	F05011-9	4
9	Bolt, 1/2-13 x 1 Hex Head Grade 8	F05008-128	4
	STOP ASSEMBLY, WM4000 REAR HEAD	065992	1
10	Bushing, 11/16" x 2 1/8" x 1 3/4" Rubber	P12165	1
11	Pin Weldment, Head Stop	W09293	1
12	Pin, 3/16" x 1" Cotter	F05012-21	1
13	Washer, 5/8" Split Lock	F05011-27	1
14	Nut, 5/8-18 Hex	F05010-50	2
15	Rod Weldment, #60 Feed Chain Tensioner	035652	1
16	Link, #60 Master	042398	2
17	Chain, #60 x 27' Power Feed	036200	1

6.6 Lower Wireway



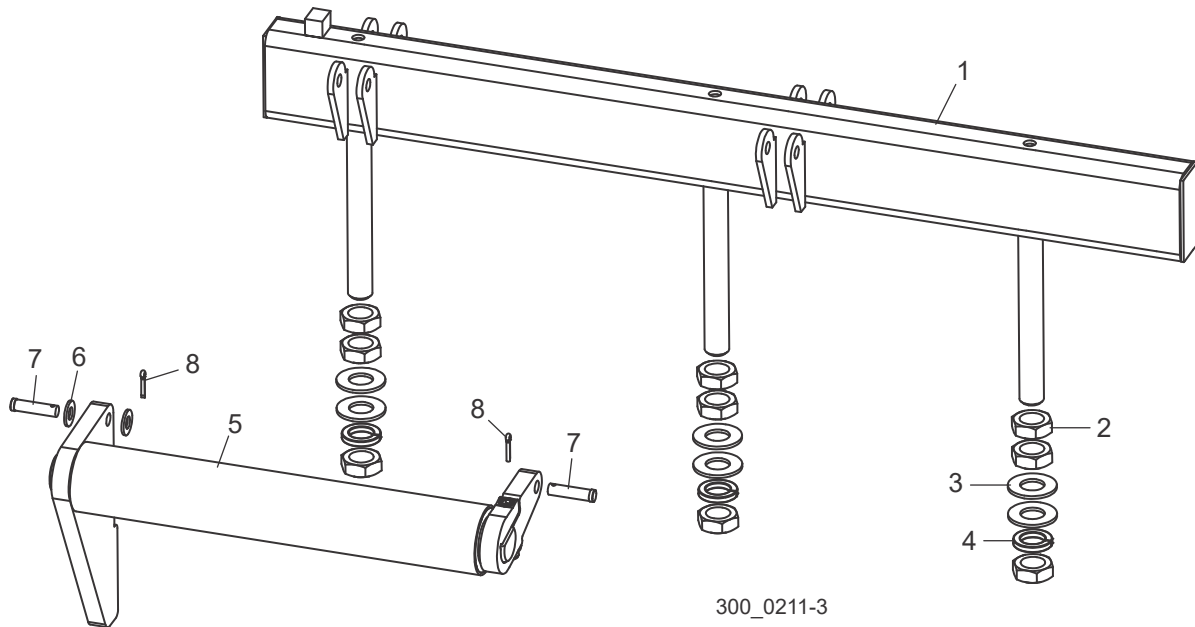
REF	DESCRIPTION (◆ Indicates Parts Available In Assemblies Only)	PART #	QTY.
1	CABLE CARRIER, LOWER	036341	1
2	NUT, 5/16-18 HEX NYLON LOCK	F05010-58	4
3	BOLT, 5/16-18 X 3/4" HEX HEAD	F05006-5	4
4	GROMMET, 1" X 1 3/4" OVAL RUBBER	085613	2

7 Bed Frame

Bed Rail (#7)

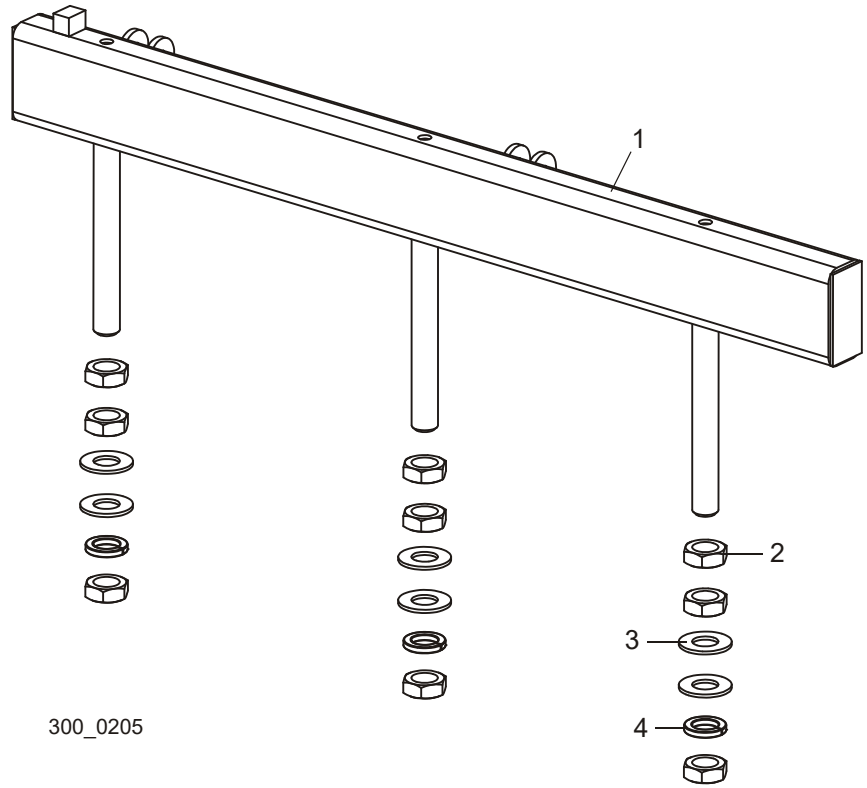
SECTION 7 BED FRAME

7.1 Bed Rail (#7)



REF	DESCRIPTION (◆ Indicates Parts Available In Assemblies Only)	PART #	QTY.
	RAIL ASSEMBLY, WM4000 LEFT BED RAIL (#7)	065985	1
1	Rail Weldment, Left Bed	062610	1
2	Nut, 1-8 Hex Jam	F05010-188	9
3	Washer, 1" ID SAE Flat	F05011-28	6
4	Washer, 1" Split Lock	F05011-53	3
	ROLLER ASSEMBLY, REAR BOARD	036414	1
5	Roller Assembly, Toe Board	074852	1
6	Washer, 1/2" SAE Flat	F05011-2	2
7	Pin, 1/2" x 1 3/4" Clevis	F05012-82	2
8	Pin, 1/8" x 3/4" Cotter	F05012-3	2

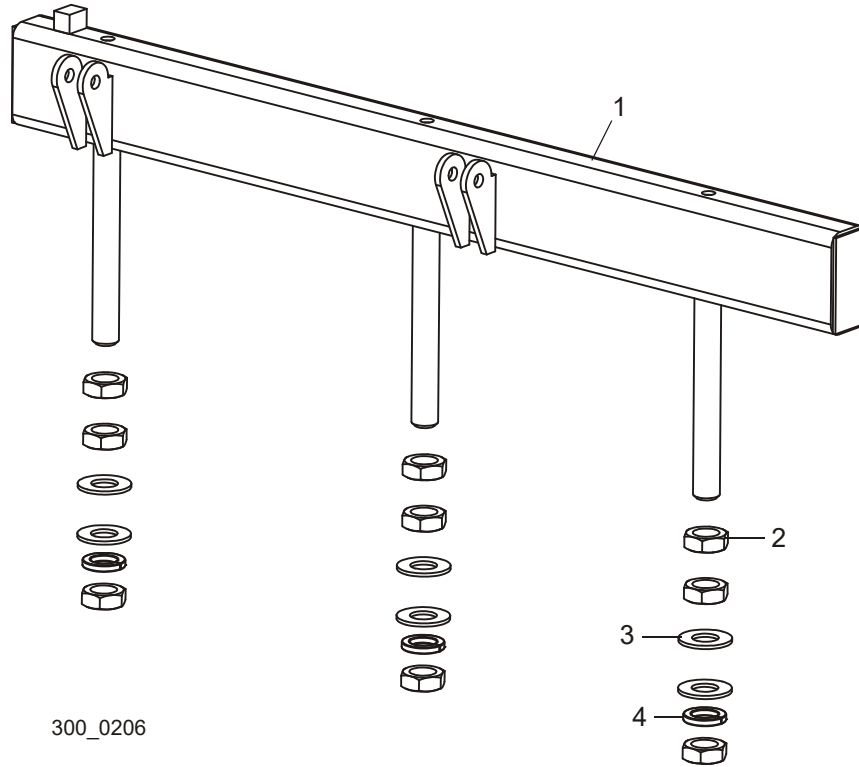
7.2 Bed Rail (#6)



REF	DESCRIPTION (◆ Indicates Parts Available In Assemblies Only)	PART #	QTY.
	RAIL ASSEMBLY, CENTER BED (#6)	065984	1
1	Rail Weldment, Center Bed	062609	1
2	Nut, 1-8 Hex Jam	F05010-188	9
3	Washer, 1" ID SAE Flat	F05011-28	6
4	Washer, 1" Split Lock	F05011-53	3

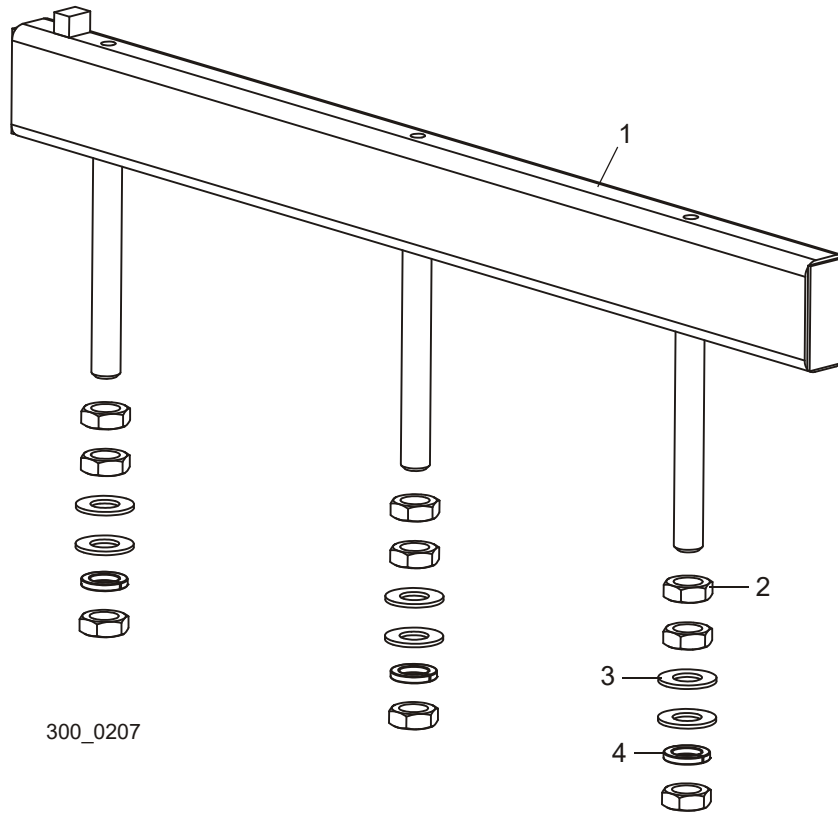
7 **Bed Frame**
Bed Rail (#3)

7.3 Bed Rail (#3)



REF	DESCRIPTION (◆ Indicates Parts Available In Assemblies Only)	PART #	QTY.
	RAIL ASSEMBLY, RIGHT BED (#3)	065983	1
1	Rail Weldment, Right Bed	062608	1
2	Nut, 1-8 Hex Jam	F05010-188	9
3	Washer, 1" ID SAE Flat	F05011-28	6
4	Washer, 1" Split Lock	F05011-53	3

7.4 Bed Rail (#1, #2, #4 & #5)

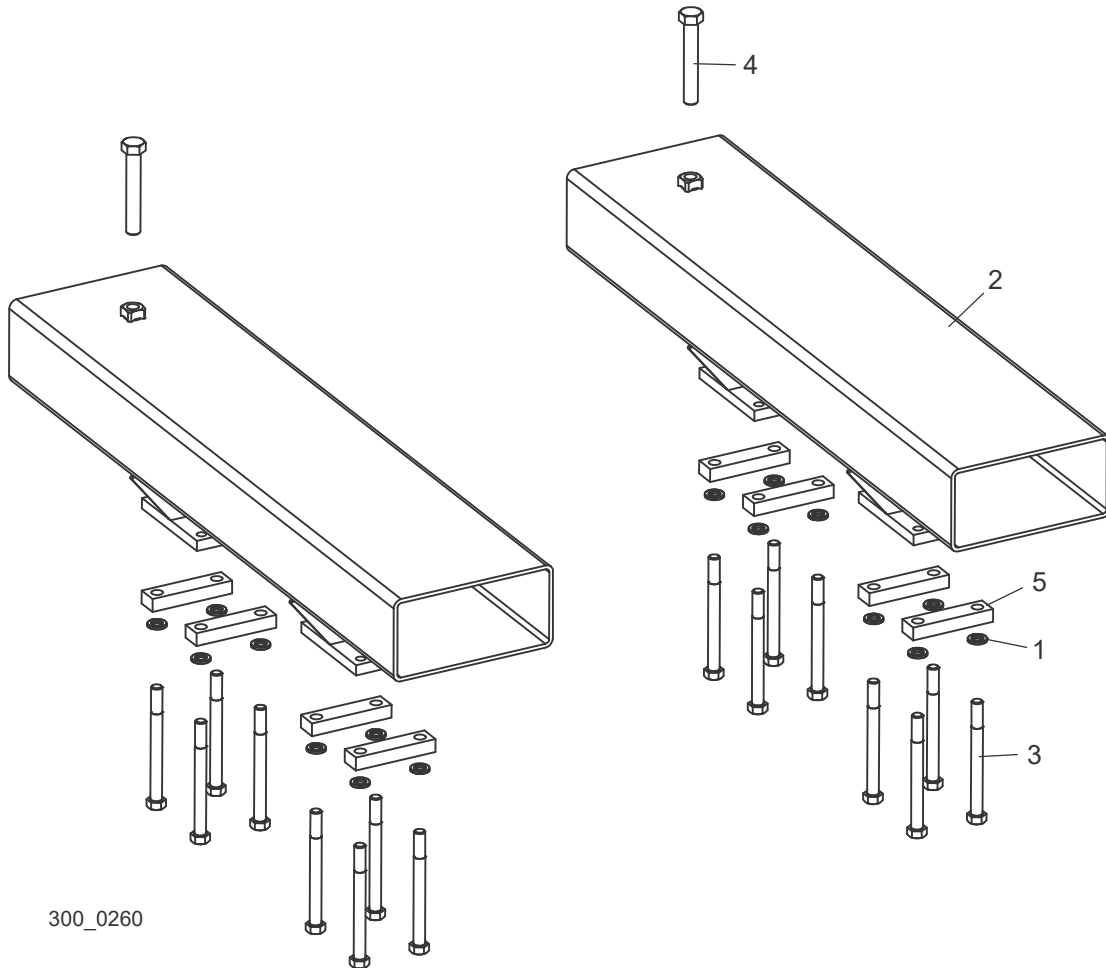


REF	DESCRIPTION (◆ Indicates Parts Available In Assemblies Only)	PART #	QTY.
	RAIL ASSEMBLY, BED (#1, #2, #4 & #5)	065981	1
1	Rail Weldment, Bed	062626	1
2	Nut, 1-8 Hex Jam	F05010-188	9
3	Washer, 1" ID SAE Flat	F05011-28	6
4	Washer, 1" Split Lock	F05011-53	3

7 Bed Frame

Fork Tube Assembly & Shim Kit

7.5 Fork Tube Assembly & Shim Kit

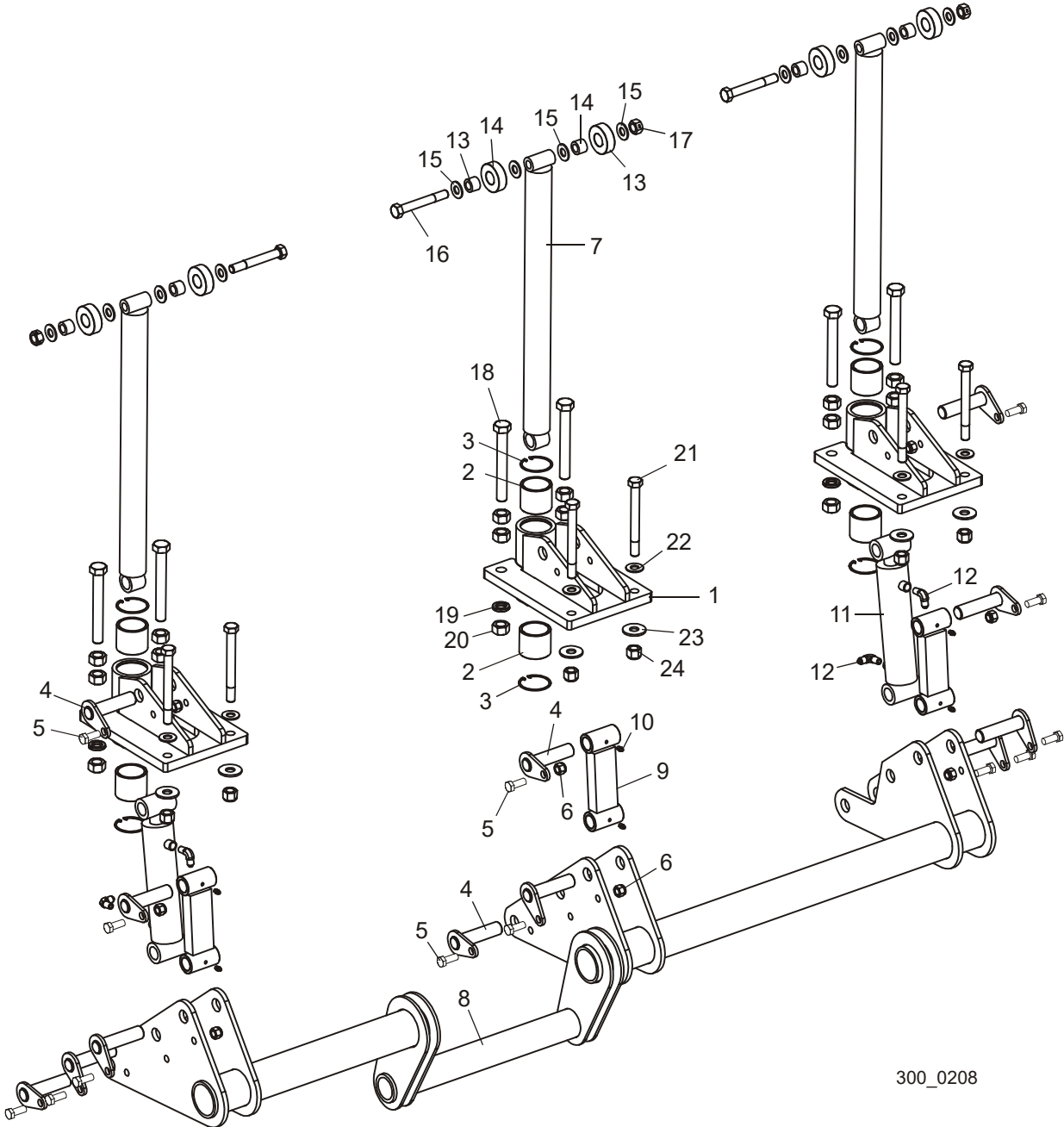


300_0260

REF	DESCRIPTION (◆ Indicates Parts Available In Assemblies Only)	PART #	QTY.	
	TUBE ASSEMBLY, FORK	071279	1	
1	Strap, 5/8" x 1" x 4"	008824	8	
2	Tube Weldment, Fork	071278	2	
3	Bolt, 1/2-13 x 5 1/2" Hex Head Grade 5	F05008-28	16	
4	Bolt, 5/8-11 x 4" Hex Head Grade 5	F05009-8	2	
5	Washer, 1/2" Split Lock	F05011-9	16	
	SHIM KIT, WM4000	074032	1	
	Plate, WM4000 14GA Shim	074032-14	6	
	Plate, WM4000 11GA Shim	074032-11	6	
	Plate, WM4000 7GA Shim	074032-7	12	
	Plate, WM4000 1/4" Shim	074032-25	12	

SECTION 8 HYDRAULICS

8.1 Hydraulic Side Supports



300_0208

REF	DESCRIPTION (◆ Indicates Parts Available In Assemblies Only)	PART #	QTY.
	SUPPORT ASSEMBLY, HYDRAULIC LOG SIDE	065964	1
1	Bracket Weldment, Side Support Mount	042233	3
2	Bushing, Side Support	042262	6

8

Hydraulics

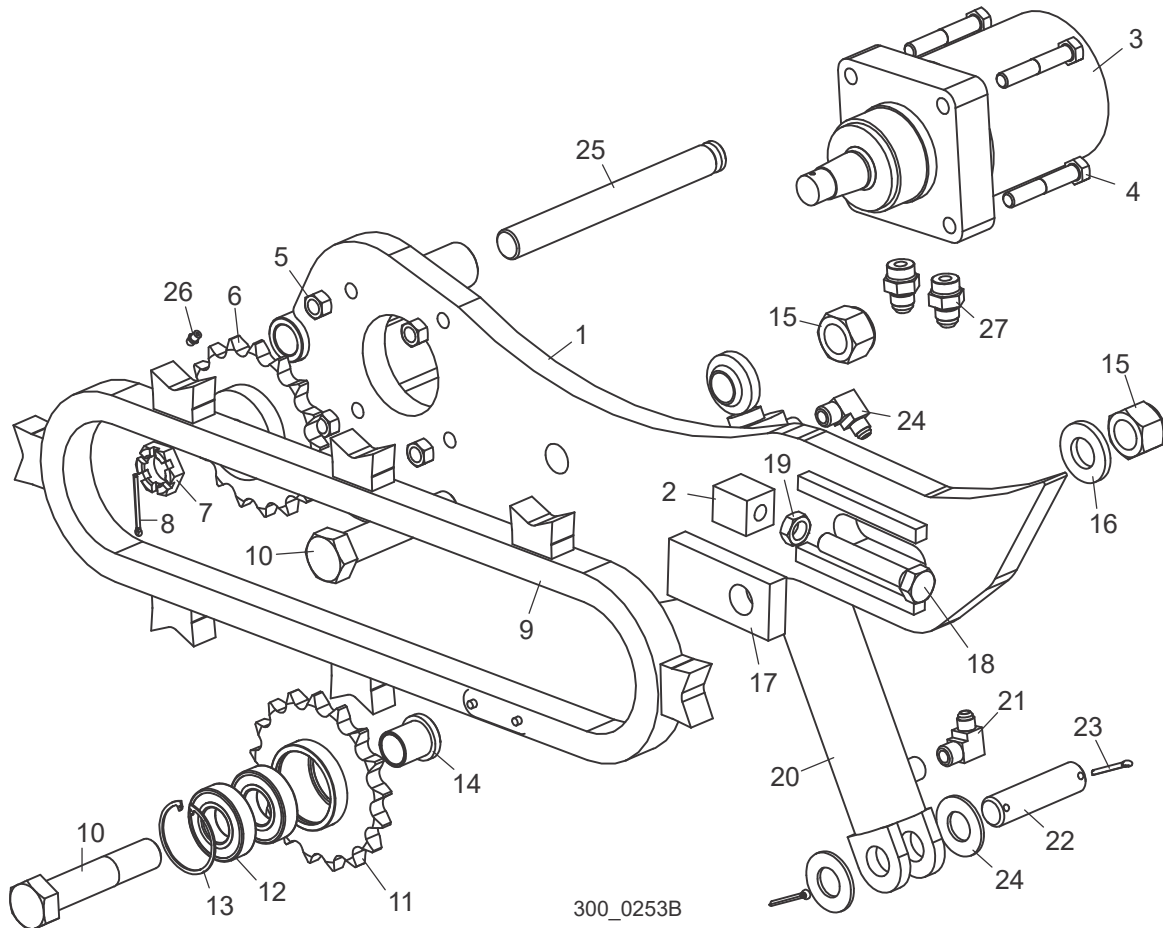
Hydraulic Side Supports

3	Ring, 62mm DIN #472 Inside Retaining	F04254-12	6	
4	Pin Weldment, Side Support	042232	13	
5	Bolt, 1/2-13 x 1 1/4" Hex Head Grade 5	F05008-37	13	
6	Nut, 1/2-13 Hex Nylon Lock	F05010-8	13	
7	Rod Weldment, Side Support	042234	3	
8	Tube Weldment, Side Support Torque 2T	062657	1	
9	Link Weldment, Side Support	042230	3	
10	Fitting, 1/4-28 Grease	P05060	6	
11	Cylinder, 2" x 6" Side Support	035625	2	
	Seal Kit, 2x6 Hydraulic Cylinder	003812	1	
12	Fitting, 3/8" JIC x 1/4" NPT 90° Elbow	015491	4	
	Roller Assembly, Side Support	035629	3	
13	Roller, Side Support	016561	2	
14	Bushing, 5/8" ID x 3/4" OD x 1" Long Bronze	016560	2	
15	Washer, 5/8" SAE Flat	F05011-5	4	
16	Bolt, 5/8-11 x 4 1/2" Hex Head Grade 5	F05009-10	1	
17	Nut, 5/8-11 Hex Lock	F05010-4	1	
18	Bolt, 3/4-10 x 6" Hex Head Full Thread	F05009-43	6	
19	Washer, 3/4" Split Lock	F05011-6	6	
20	Nut, 3/4-10 Hex	F05010-7	18	
21	Bolt, 5/8-11 x 6" Hex Head Grade 5	F05009-22	6	
22	Washer, 5/8" SAE Flat	F05011-5	6	
23	Washer, 5/8" Standard Flat	F05011-40	6	
24	Nut, 5/8-11 Hex Nylon Lock	F05010-34	6	

8.2 Hydraulic Log Turner

WM4000

Rev. A1.00+



REF	DESCRIPTION (◆ Indicates Parts Available In Assemblies Only)	PART #	QTY.
	TURNER ASSEMBLY, 2-POINT CHAIN HYDRAULIC LOG	074028	2
1	Turner Weldment, 2-Point Chain Hydraulic Log	074027	1
2	Block, Turner Tensioner	042177	1
3	Motor, Hydraulic Log Turner	007331	1
	Kit, Seal Rebuild	061427	1
4	Bolt, 1/2-13 x 3" Hex Head Grade 5	F05008-23	4
5	Nut, 1/2-13 Hex Lock	F05010-3	4
6	Sprocket Weldment, Log Turner Drive	042192	1
7	Nut, Hydraulic Motor Castle	018741-2	1
8	Pin, 1/8" x 1 3/4" Cotter	F05012-43	1
9	Chain Weldment, Log Turner	006097	1
	Link, #2080H Master	016796	1

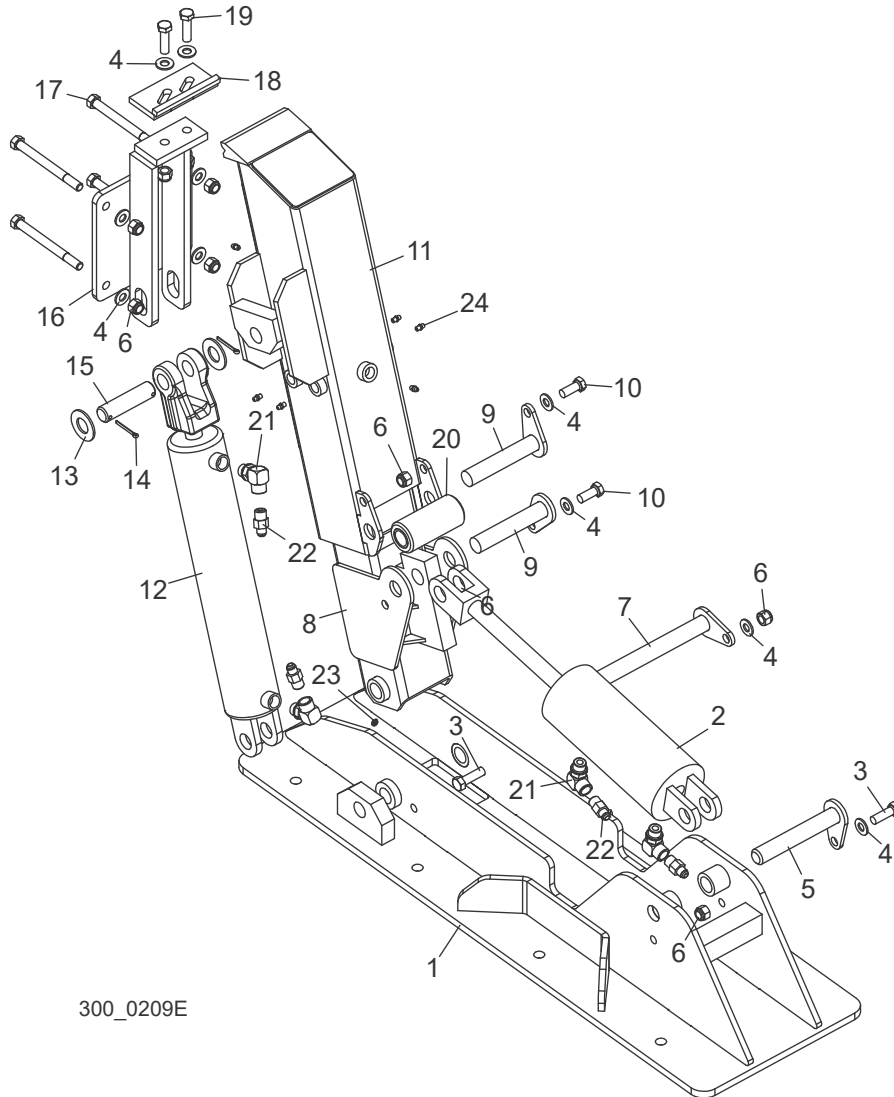
8

Hydraulics

Hydraulic Log Turner

10	Bolt, 1-8 x 5" Hex Head Grade 8	F05004-132	2	
	Sprocket Assembly, Idler	042193	1	
11	Sprocket Weldment, Idler	042191	1	
12	Bearing, 6206 25 Idler	P11035	2	
13	Ring, 62mm #472 DIN Inside Retaining	F04254-12	1	
14	Spacer, Idler Sprocket	042187	2	
15	Nut, 1-8 Hex Lock	F05010-109	2	
16	Washer, 1" ID x 2" OD x 1/4"	038749	1	
17	Plate, Log Turner Chain Tensioner	042188	1	
18	Bolt, 5/8-11 x 4" Hex Head Full Thread Grade 5	F05009-31	1	
19	Nut, 5/8-11 Hex Jam	F05010-82	1	
20	Cylinder, 2" x 10" Welded Rod End Hydraulic	034267	1	
	Seal Kit, 2x10 Hydraulic Cylinder	003814	1	
21	Fitting, 3/8" NPT x 3/8" JIC 90° Elbow	016820	2	
22	Pin, 1" x 3.88"	S09251	1	
23	Pin, 3/16" x 1 1/2" Cotter	F05012-23	2	
24	Washer, 1" SAE Flat	F05011-28	2	
25	Rod, Grooved Turner Mount	006722	1	
26	Fitting, 1/4-28 Grease	P05060	1	
27	Fitting, #10SAE - #8" JIC	025963	2	
	BOLT, 5/8-18 X 3 1/2" HEX HEAD BOLT FULL THREAD	F05009-16	1	
	NUT, 5/8-18 HEX	F05010-50	1	

8.3 Hydraulic Log Clamp



300_0209E

REF	DESCRIPTION (◆ Indicates Parts Available In Assemblies Only)	PART #	QTY.
	CLAMP ASSEMBLY, FLOOR MOUNT HYDRAULIC LOG (WM4000/WM4500)	062748 ¹	1
1	Clamp Weldment, Base	062743	1
2	Cylinder, Hydraulic 3" x 6"	062700	1
3	Screw, 1/2-13 x 1 1/2" Full Thread Hex Head Grade 5	F05008-116	2
4	Washer, 1/2" SAE Flat	F05011-2	10
5	Pin Weldment, 1" x 6 3/16"	062751	1
6	Nut, 1/2-13 Nyl Hex Lock	F05010-8	10
7	Pin Weldment, 1" x 9 7/16"	062747	1
8	Clamp Weldment, Bottom	062741	1
9	Pin Weldment, 5 1/4"	034727	2

8

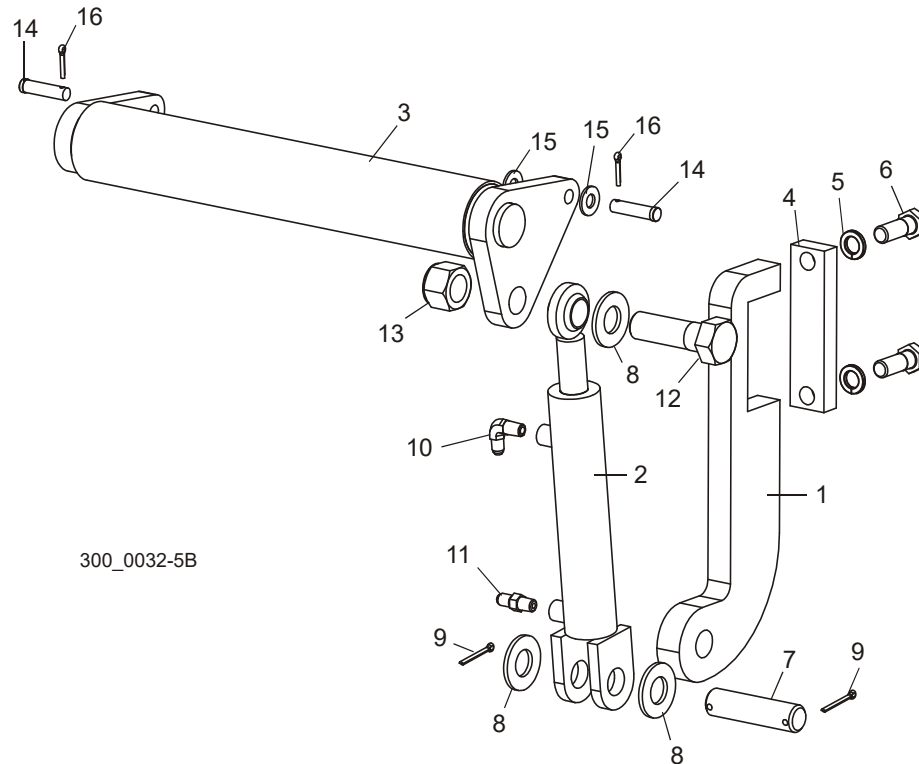
Hydraulics

Hydraulic Log Clamp

10	Bolt, 1/2-13 x 1 1/4" Hex Head Grade 5	F05008-37	2	
11	Clamp Weldment, Top	062742	1	
12	Cylinder, Hydraulic 2" x 14"	062701	1	
13	Washer, 1" ID SAE Flat	F05011-28	2	
14	Pin, 3/16" x 1 1/2" Cotter	F05012-23	2	
15	Pin, 1" x 3.88	S09251	1	
16	Clamp Weldment, Stop	062591	1	
17	Bolt, 1/2-13 x 5 1/2" Hex Head Grade 5	F05008-28	4	
18	Stop Weldment, Clamp Ptd	W09404	1	
19	Bolt, 1/2-13 x 1 3/4" Hex Head Grade 5 Full Thread	F05008-88	2	
20	Bushing, Clamp	071239	1	
21	Fitting, #8 SAE 90 Deg Elbow 3/8	036164	4	
22	Fitting, 3/8" NPT-3/8" JIC Male Connector	016819	4	
23	Fitting, 3/16" NPT-3/16" Straight Grease	P04107	1	
	Fitting, 3/8" JIC Cap	016816	4	
24	Fitting, 1/4-28 Grease	P05060	6	

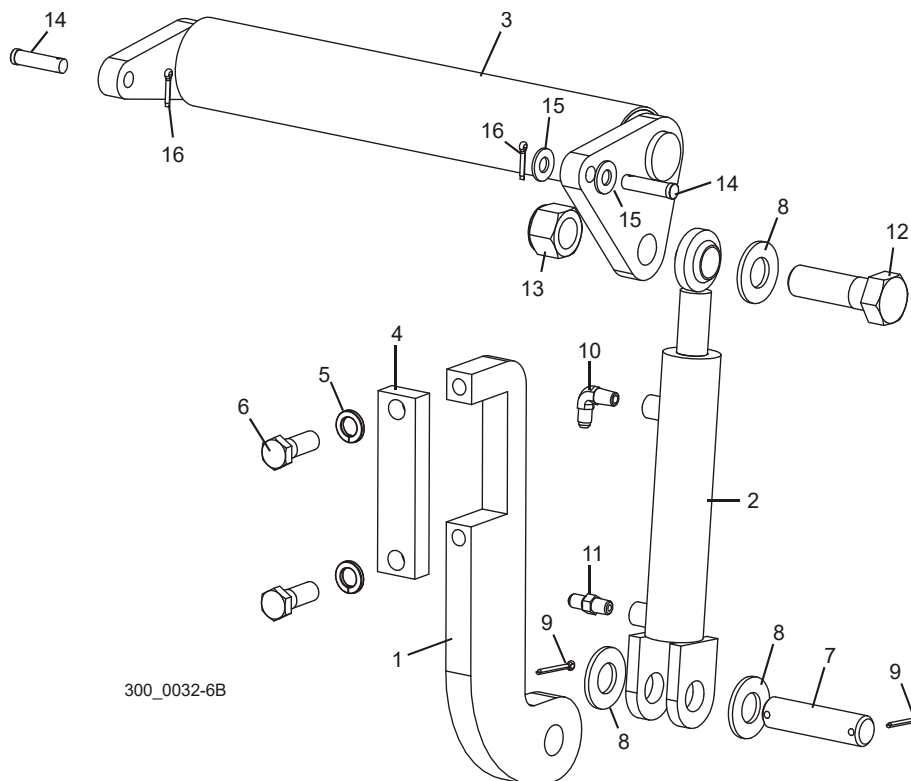
¹ Log clamp assembly redesigned to add (6) grease fittings (P05060) to improve durability (Rev. A5.00).

8.4 Hydraulic Toe Board (Front)



REF	DESCRIPTION (◆ Indicates Parts Available In Assemblies Only)	PART #	QTY.
	TOE BOARD ASSEMBLY, FRONT HYDRAULIC	035640	1
1	Plate, Hydraulic Toe Board Mount	S13022	1
2	Cylinder, 1 1/2" x 6" Toe Board	014482	1
	Seal Kit, 1 1/2" x 6" Hydraulic Cylinder	014547	1
3	Roller Assembly, Hydraulic Toe Board	074842	1
4	Plate, Toe Board Strap	S13023	1
5	Washer, 5/8" Split Lock	F05011-27	2
6	Bolt, 5/8-11 x 1 3/4" Hex Head	F05009-33	2
7	Pin, 1" x 3.88"	S09251	1
8	Washer, 1" SAE Flat	F05011-28	3
9	Pin, 3/16" x 1 1/2" Cotter	F05012-23	2
10	Fitting, 1/4" NPT x 1/4" JIC 90° Male Elbow	P09142	1
11	Fitting, 1/4" NPT x 1/4" JIC Straight Male	P09143	1
12	Bolt, 1-8 x 3 1/4" Hex Head Grade 5	F05009-51	1
13	Nut, 1-8 Hex Lock	F05010-109	1
14	Pin, 1/2" x 1 3/4" Clevis	F05012-82	2
15	Washer, 1/2" SAE Flat	F05011-2	2
16	Pin, 1/8" x 3/4" Cotter	F05012-3	2

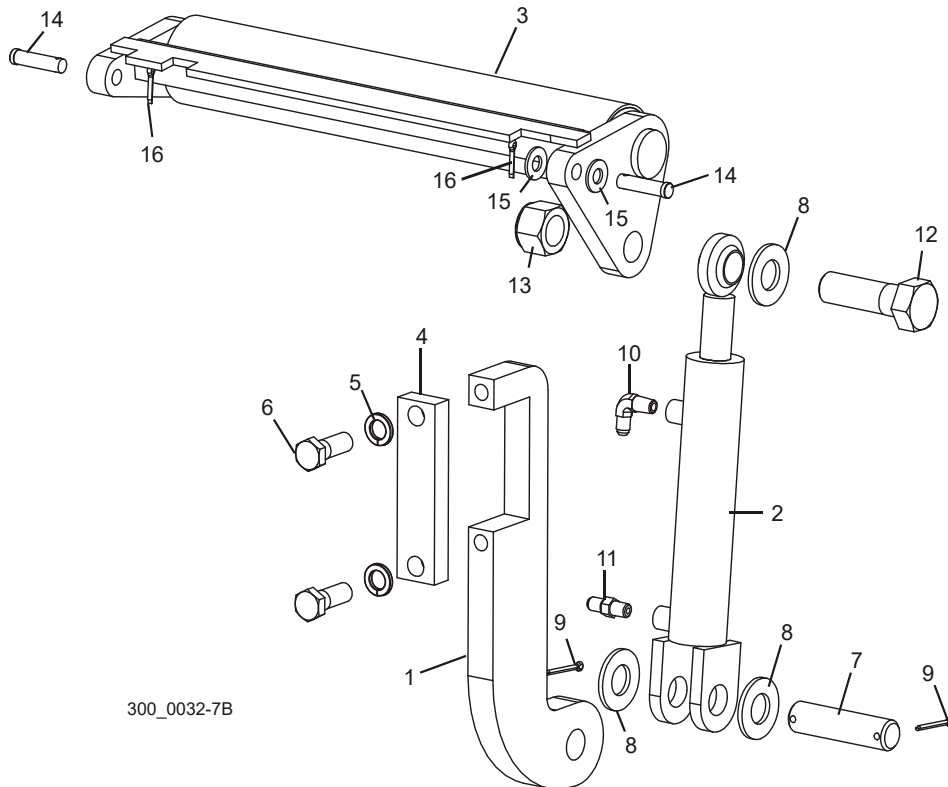
8.5 Hydraulic Toe Board (Rear)



300_0032-6B

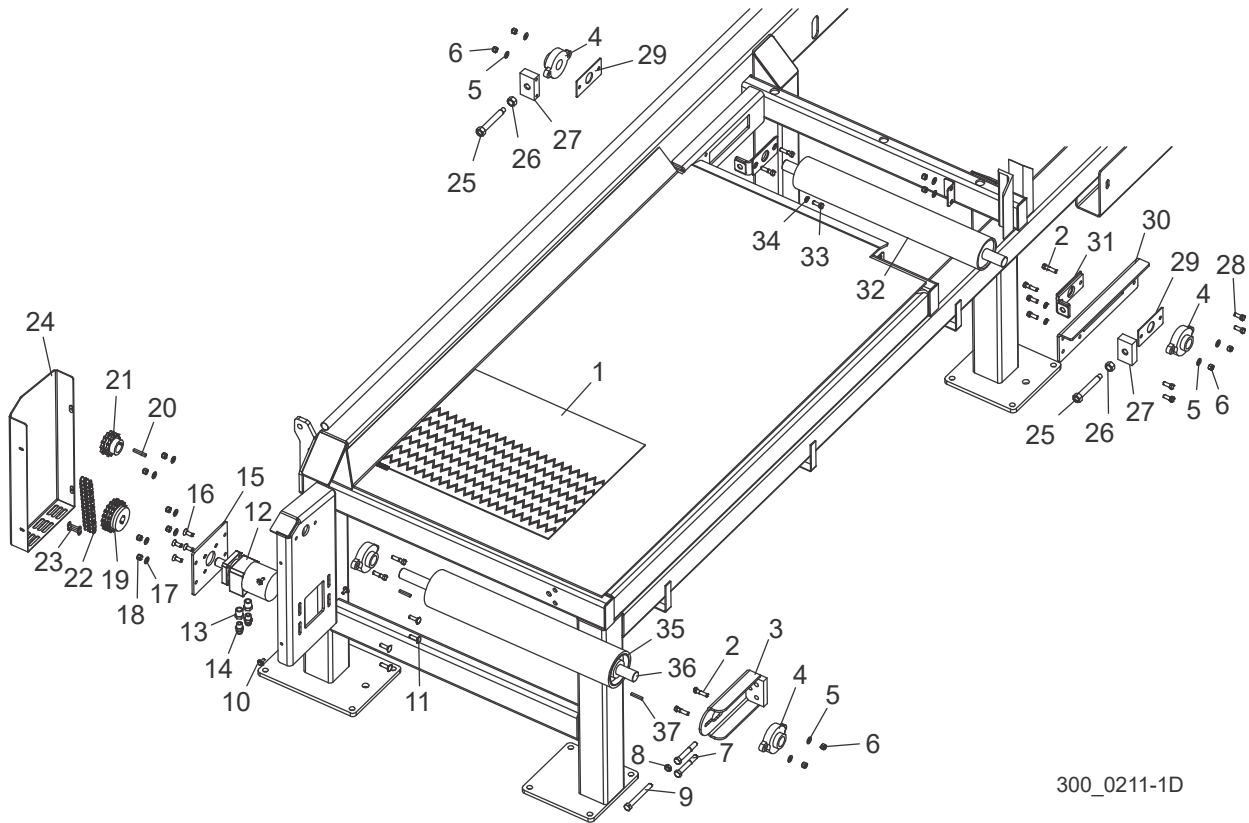
REF	DESCRIPTION (◆ Indicates Parts Available In Assemblies Only)	PART #	QTY.
	TOE BOARD ASSEMBLY, REAR HYDRAULIC	035642	1
1	Plate, Hydraulic Toe Board Mount	S13022	1
2	Cylinder, 1 1/2" x 6" Toe Board	014482	1
	Seal Kit, 1 1/2" x 6" Hydraulic Cylinder	014547	1
3	Roller Assembly, Hydraulic Toe Board	074851	1
4	Plate, Toe Board Strap	S13023	1
5	Washer, 5/8" Split Lock	F05011-27	2
6	Bolt, 5/8-11 x 1 3/4" Hex Head	F05009-33	2
7	Pin, 1" x 3.88"	S09251	1
8	Washer, 1" SAE Flat	F05011-28	3
9	Pin, 3/16" x 1 1/2" Cotter	F05012-23	2
10	Fitting, 1/4" NPT x 1/4" JIC 90° Male Elbow	P09142	1
11	Fitting, 1/4" NPT x 1/4" JIC Straight Male	P09143	1
12	Bolt, 1-8 x 3 1/4" Hex Head Grade 5	F05009-51	1
13	Nut, 1-8 Hex Lock	F05010-109	1
14	Pin, 1/2" x 1 3/4" Clevis	F05012-82	2
15	Washer, 1/2" SAE Flat	F05011-2	2
16	Pin, 1/8" x 3/4" Cotter	F05012-3	2

8.6 Hydraulic Toe Board (Rear w/Ramp)



REF	DESCRIPTION (◆ Indicates Parts Available In Assemblies Only)	PART #	QTY.
	TOE BOARD ASSEMBLY, REAR HYDRAULIC W/RAMP	035564	1
1	Plate, Hydraulic Toe Board Mount	S13022	1
2	Cylinder, 1 1/2" x 6" Toe Board	014482	1
	Seal Kit, 1 1/2" x 6" Hydraulic Cylinder	014547	1
3	Roller Assembly, Hydraulic Toe Board (w/Ramp)	074857	1
4	Plate, Toe Board Strap	S13023	1
5	Washer, 5/8" Split Lock	F05011-27	2
6	Bolt, 5/8-11 x 1 3/4" Hex Head	F05009-33	2
7	Pin, 1" x 3.88"	S09251	1
8	Washer, 1" SAE Flat	F05011-28	3
9	Pin, 3/16" x 1 1/2" Cotter	F05012-23	2
10	Fitting, 1/4" NPT x 1/4" JIC 90° Male Elbow	P09142	1
11	Fitting, 1/4" NPT x 1/4" JIC Straight Male	P09143	1
12	Bolt, 1-8 x 3 1/4" Hex Head Grade 5	F05009-51	1
13	Nut, 1-8 Hex Lock	F05010-109	1
14	Pin, 1/2" x 1 3/4" Clevis	F05012-82	2
15	Washer, 1/2" SAE Flat	F05011-2	2
16	Pin, 1/8" x 3/4" Cotter	F05012-3	2

8.7 Bed Conveyor



300_0211-1D

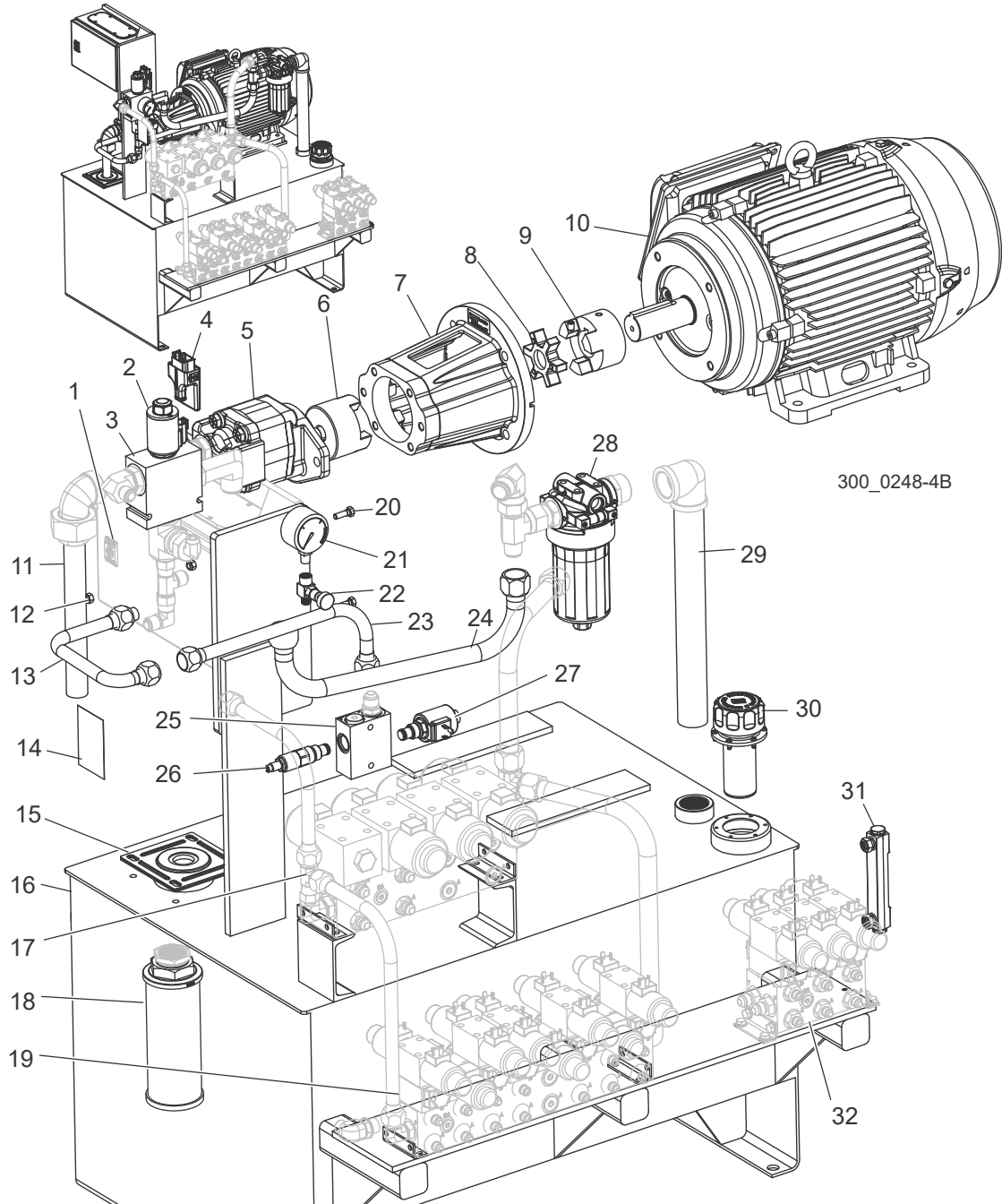
REF	DESCRIPTION (◆ Indicates Parts Available In Assemblies Only)	PART #	QTY.
1	BELT, CONVEYOR 24 X 181 Z-TOP	071184	1
2	BOLT, 3/8-16 X 1 1/2" HEX HEAD GRADE 5	F05007-78	8
3	WELDMENT, ROLLER BEARING MOUNT	071163	1
4	BEARING, FLANGE 1 1/4"	016744	4
5	WASHER, 3/8" FLAT SAE	F05011-3	8
6	NUT, 3/8-16 HEX NYLOC	F05010-10	8
7	BOLT, 1/2-13 X 3 1/2" HEX HEAD GRADE 5	F05008-61	2
8	NUT, 1/2-13 JAM	F05010-31	1
9	BOLT, 1/2-13 X 4 1/2" FULL THREAD HEX HEAD	F05008-16	1
10	BOLT, 1/4-20 X 3/4" HEX HEAD W/CONICAL WASHER	F05005-134	4
	MOTOR ASSEMBLY, SHORT CONVEYOR DRIVE	065960	1
11	Bolt, 3/8-16 x 1 1/4" Carriage Grade 5	F05007-127	4
12	Motor, Hydraulic, TBO165FP100	P20206	1
13	Fitting, 1/2" NPT x 3/8" NPT Hex Reducer	028073	2
14	Fitting, 3/8NPT-#8JIC Male Connector	036822	2
15	Plate, Hydraulic Motor Mount	065956	1
16	Screw, 3/8-16 x 1" Zinc & Bake FSHC	F05007-64	4
17	Washer, 3/8" Flat SAE	F05011-3	4

18	Nut, 3/8-16 Hex Nyloc	F05010-10	4	
19	Sprocket, Double 50B18x1 Bore w/Screw	065957	1	
20	KEY, 1/4" X 1 11/16"	S04124	1	
21	SPROCKET, DOUBLE 50-13 X 1.25	036008	1	
22	CHAIN, DOUBLE 50 X 34-3/8 55 PITCHES	074209 ¹	1	
23	LINK, 50-2 MASTER	015258	1	
24	WELDMENT, WM4000 CONVEYOR DRIVE GUARD	074202 ¹	1	
25	WELDMENT, SHORT ADJUSTMENT BOLT	065963	2	
26	NUT, 5/8-18 HEX	F05010-50	2	
27	BLOCK, TENSION	016766	2	
28	BOLT, 3/8-16 X 1" HEX HEAD GRADE 5	F05007-87	4	
29	PLATE, BEARING	016760	2	
30	PLATE, FLAT CONVEYOR LEFT BEARING MOUNT	071159	1	
31	WELDMENT, ROLLER ADJUSTMENT	016697	2	
32	PULLEY, IDLE CONVEYOR BELT	076962 ²	1	
33	BOLT, 3/8-16 X 1" HEX HEAD GRADE 8	F05007-82	4	
34	WASHER, 3/8" SPLIT LOCK	F05011-4	4	
	ROLLER ASSEMBLY, DRIVE	016748	1	
35	Roller, Drive	017831	1	
36	Shaft, Drive Roller	016745	1	
37	Key, 1/4" Square x 1 3/8"	017832	2	

¹ 074209 Chain replaces 065958 Double 50-21-7/8 35 Pitches Chain and 074202 Guard Weldment replaces 071168 Short Conveyor Drive Guard Weldment (Rev. A3.00).

² Replaced 016920 Idle Wing Pulley to improve durability (Rev. A5.02).

8.8 Hydraulic Power Unit



REF	DESCRIPTION (◆ Indicates Parts Available In Assemblies Only)	PART #	QTY.
	POWER UNIT ASSEMBLY, WM4000 HYDRAULIC	074007 ¹	1
1	WM4000 Hydraulic Control Assembly (See Section 8.9)	N/A	1
	Power Unit, Hydraulic 40 Gal. 15hp 3000psi	065938-1 ²	1

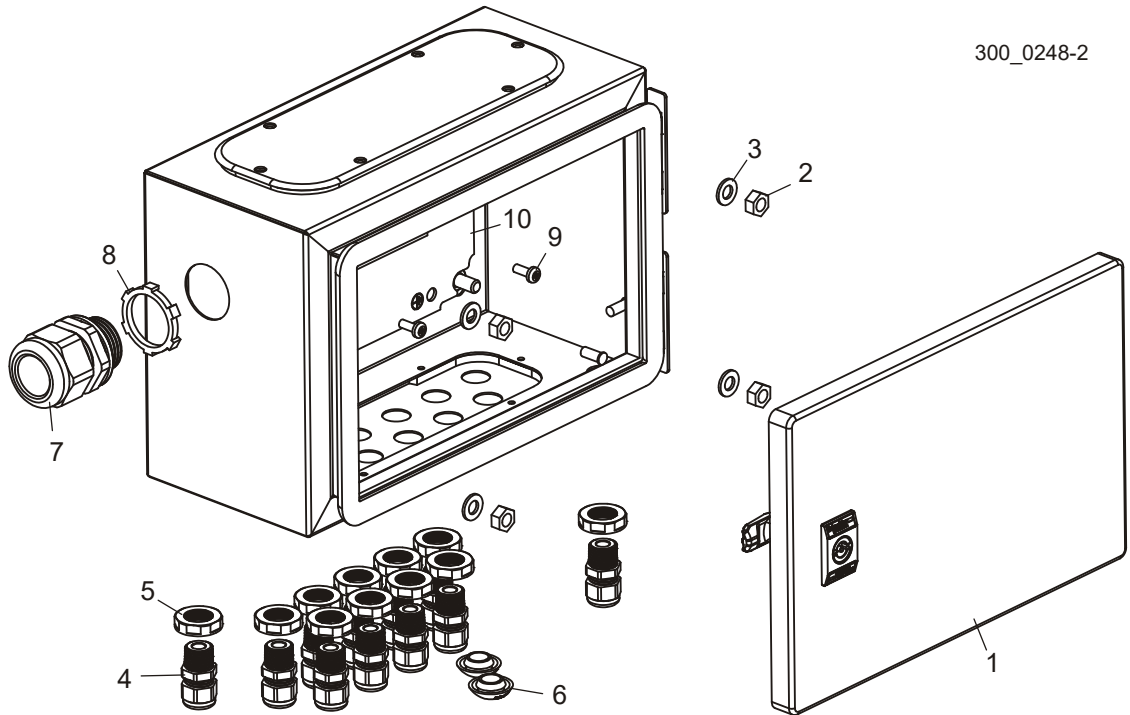
2	Valve, Proportional PV72-30A	068273	1	
3	Block, Valve Body HF 7022350	061290	1	
	Valve, Proportional Cartridge PV72-30A	068257	1	
	Valve, Proportional Coil PV72-30A	068258	1	
4	Driver Assembly, Prop Valve 8 Pin A2.00+	068227	1	
5	Pump, Hyd. 17GPM Piston Load Sense	078671	1	
6	Pump Coupling	068252	1	
7	Adapter, C-Face Pump Mtr SAE B	078397	1	
8	Insert Coupling	068254	1	
9	Motor Coupling	068253	1	
10	Motor, 15HP 230/460 3Ph 60Hz	078670	1	
11	Tube, 1-1/4" Suction to Pump	078736	1	
12	Nut, 5/16-18 Nylon Lock Hex	F05010-58	4	
13	Tube, 3/4" Hydraulic Press. Pump to Prop	078403	1	
14	Tag, WM4000 Pressure Gauge Warning	079296	1	
15	Flange, Suction HPU 1" Pipe	078398	1	
16	Tank, Hydraulic Reservoir Custom	078402	1	
	Fluid, Hydraulic HVI32 (WM4000) (Gallon)	006397	40	
17	D05 4-station Manifold (See Section 8.11)	N/A	1	
18	Suction Strainer w/Bypass	078690	1	
19	D03 Manifold Assembly (See Section 8.10)	N/A	1	
20	Bolt, 5/16-18 x 1" Hex Head	F05006-1	4	
21	Pressure Gauge (0-3000 PSI)	068265	1	
22	Valve, Snubber MFG250BF	068264	1	
23	Tube, 3/4" Hydraulic Press. Prop to Relief	078406	1	
24	Tube, 1" Hydraulic Tank Prop to Filter	078407	1	
	Kit, Bypass Valve WM1000/4000	061280	1	
25	2 x 2 Body	061160	1	
26	Valve, Relief 250-3300psi RV10-20A	078396	1	
27	Valve, Solenoid 24VDC WM4000	061159	1	
28	Filter, Hyd Cstr 35GPM 725psi w/nd SAE16	078395	1	
	Filter, Hydraulic Element 10 Micron 25psi Byp	078341 ³	1	
29	Tube, 1-1/4" Tank Filter to Tank	078410	1	
30	Filler/Breather Assembly, Hydraulic 40micron	078401	1	
31	Gauge, Level/Temp Back Mount	078400	1	
32	BX Directional Valve Assembly (See Section 12.8)	N/A	1	

¹ Replaced (2) P12703 fittings with (2) 028076 fittings to improve performance (WM4000 Rev. A3.01).

² Replaced 065938 to add hydraulic gear pump to an LSPC (Load Sensing Pressure Compensated) piston pump to eliminate pressure spikes and to make it run more efficiently (5/18). Proportional valve updated with new seals (078350 Seal Kit) and increased torque on cartridges (45 ft-lbs) (Rev. A7.00). 200 millisecond relief valve replaced with 50 millisecond relief valve by manufacturer to prevent pressure spikes from occurring (Rev. A3.00).

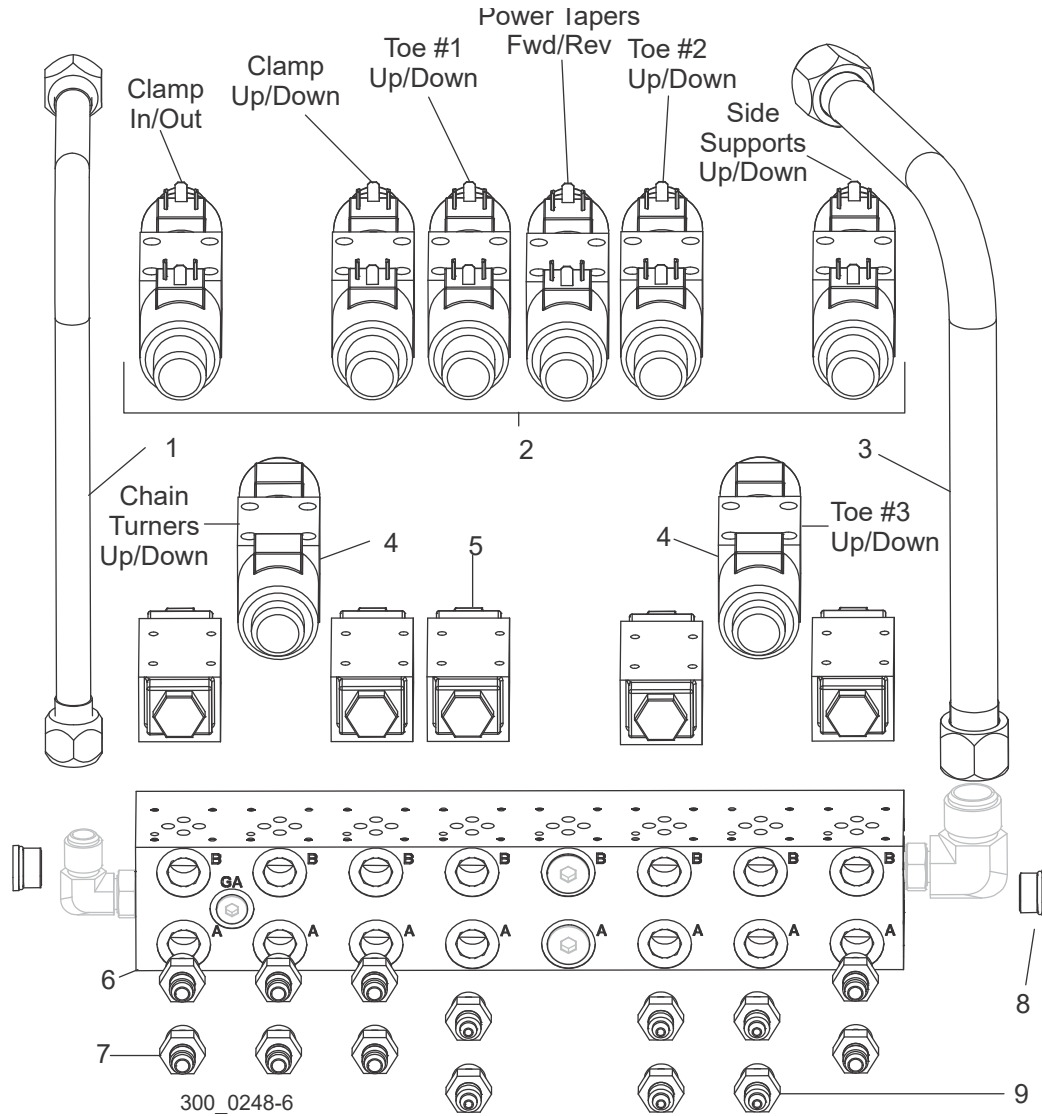
³ Use 078309 Filter, Hydraulic MZ10 10Micron Synth. or equivalent filter for replacement on sawmills prior to Rev. A9.00 (in place of 068262 Filter, Return Element used on sawmills Prior to Rev. A9.00). Equivalent filter must be 10 micron or less and should have synthetic filter media, not cellulose.

8.9 Hydraulic Control Box



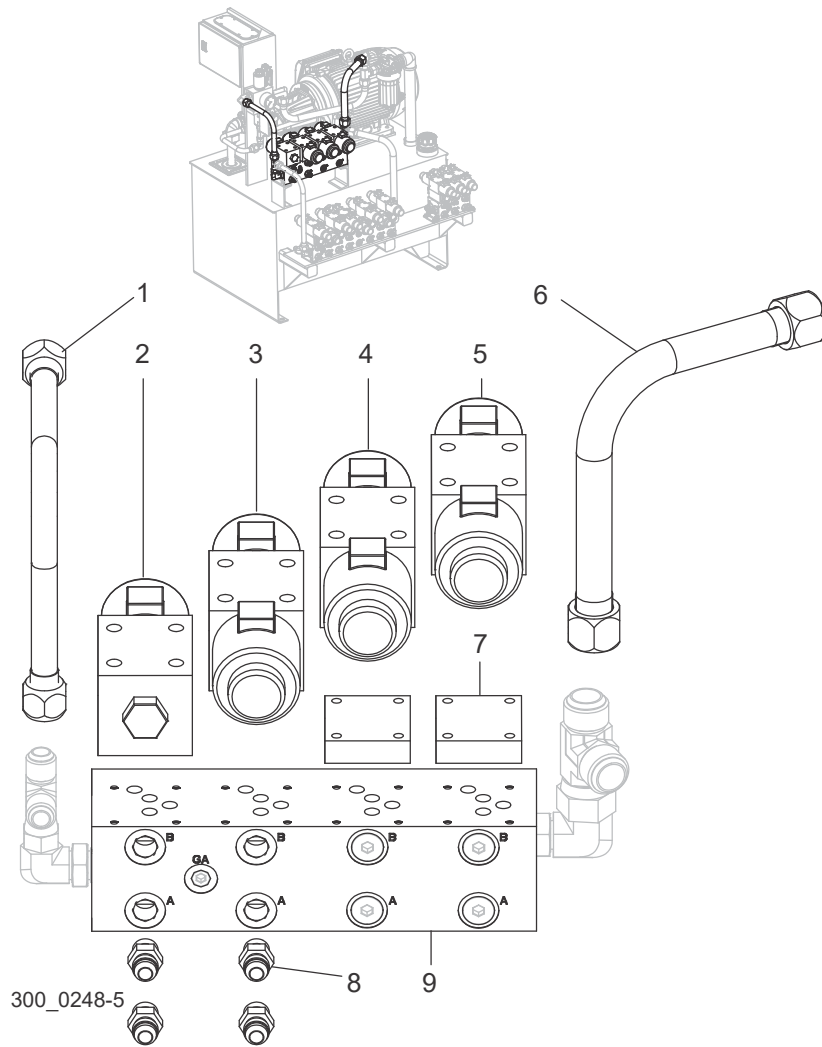
REF	DESCRIPTION (◆ Indicates Parts Available In Assemblies Only)	PART #	QTY.
	CONTROL ASSEMBLY, WM4000/WM4500 HYDRAULIC	069917	1
1	Enclosure, Hydraulic Control	069918	1
2	Nut, M8 x 1.25 Free	F05010-162	4
3	Washer, M8 Flat	F05011-131	4
4	Connector, 3/8" NPT	069864	11
5	Nut, 3/8" NPT Nylon Lock	069865	11
6	Plug, 5/8" Hole	068210	2
7	Cord Grip, 1" NPT Black Heyco	069861	1
8	Ring, 1" Sealing	053735	1
9	Bolt, #10-24 x 1/2" Philips Pan Head	F05015-17	2
10	Hydraulic Control Box Insert Assembly (<i>See Electrical Information Manual</i>)		

8.10 D03 Valve Manifold



REF	DESCRIPTION (◆ Indicates Parts Available In Assemblies Only)	PART #	QTY.
1	TUBE, 3/4" HYD. PRESS. MNFLD1 TO MNFLD2	078405	1
2	VALVE, D03 3POS A-B TANK	078683	6
3	TUBE, 1" HYD. TANK MNFLD2 TO MNFLD 1	078409	1
4	VALVE, D03 3POS BLOCKED	078684	2
5	VALVE, D03 PO CHECK	078738	5
6	MANIFOLD SHELL ONLY, WM4000 AD03P082S	061185	1
7	FITTING, 8SAE-3/8JIC	P12703	8
8	FITTING, 10SAE STRAIGHT THREAD PLUG	074299	2
9	FITTING, #8SAE-1/4JIC	036759	6

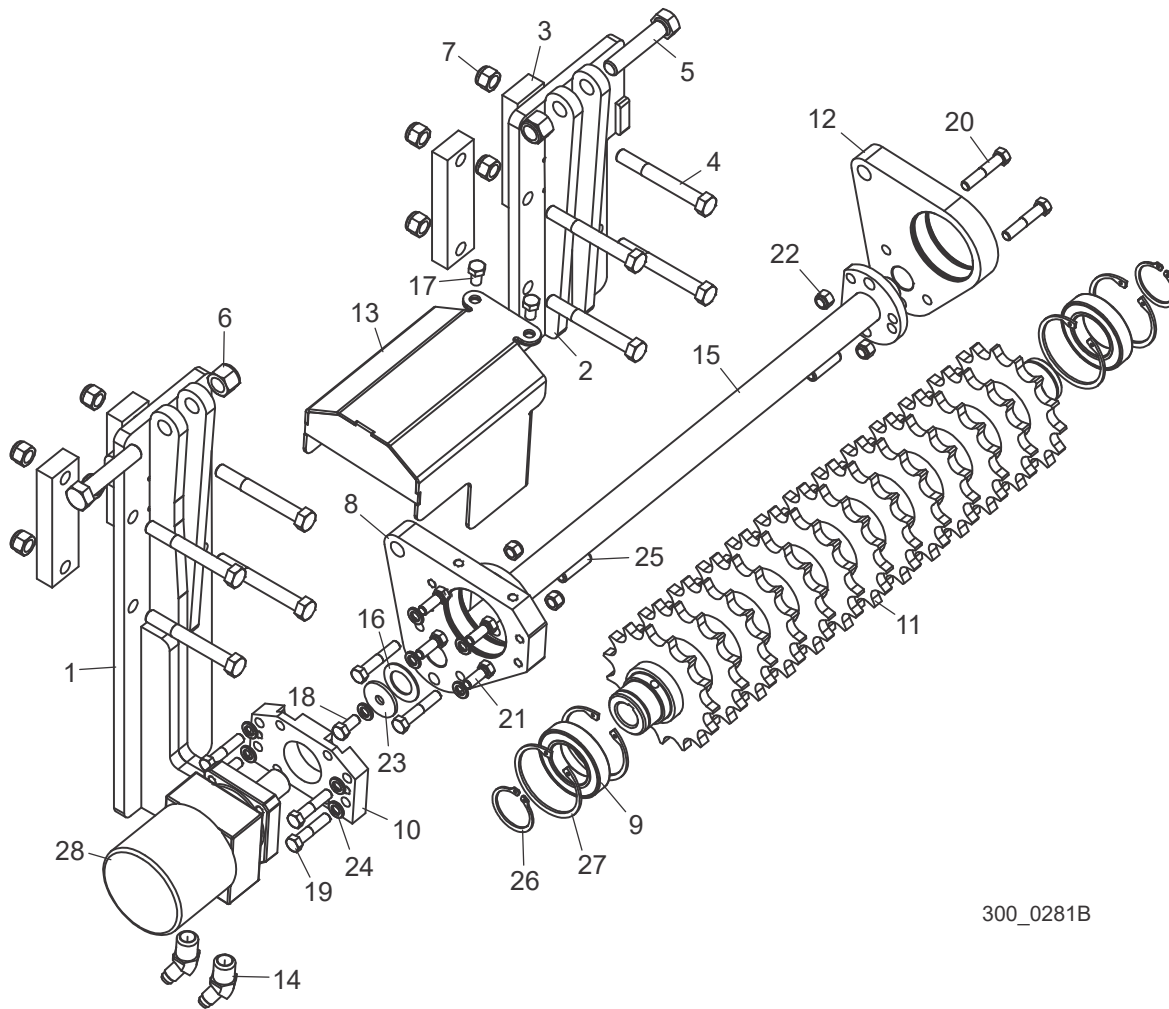
8.11 D05 Valve Manifold



REF	DESCRIPTION (◆ Indicates Parts Available In Assemblies Only)	PART #	QTY.
1	TUBE, 3/4" HYD. PRESS. PROP TO MNFLD1	078404	1
2	VALVE, D05 2POS A-B TANK	078686	1
3	VALVE, D05 3POS A-B TANK	078685	1
4	VALVE, LOADER DIRECTIONAL UP/DN	061165	1
5	VALVE, LOG DECK DIRECTIONAL FWD/REV	061166	1
6	TUBE, 1" HYDRAULIC TANK MNFLD1 TO FILTER	078408	1
7	PLATE, COVER D05 VALVE	078399	2
8	FITTING, #8SAE-#8JIC	028076	4
9	D05, 4-STATION MANIFOLD	061190	1

8.12 Power Taper Set Roller (Optional)

WM4000 PTSR Rev. B.00



300_0281B

REF	DESCRIPTION (◆ Indicates Parts Available In Assemblies Only)	PART #	QTY.
	BOARD ASSEMBLY, REAR ROLLER TOE	066880	1
	BOARD ASSEMBLY, FRONT ROLLER TOE	066890	1
1	Mount Weldment, Rear Toeboard Cylinder	066881	1
	Mount Weldment, Front Toeboard Cylinder	066894	1
2	Mount Weldment, Rear Toeboard	066885	1
	Mount Weldment, Front Toeboard	066896	1
3	Block, Toe Board Mount	066892	4
4	Bolt, 1/2-13 x 4" Hex Head Grade 5	F05008-78	8
5	Bolt, 5/8-11 x 3" Hex Head Grade 5	F05009-37	2
6	Nut, 5/8-11 Nylon Lock	F05010-34	2
7	Nut, 1/2-13 Nylon Hex Lock	F05010-8	8

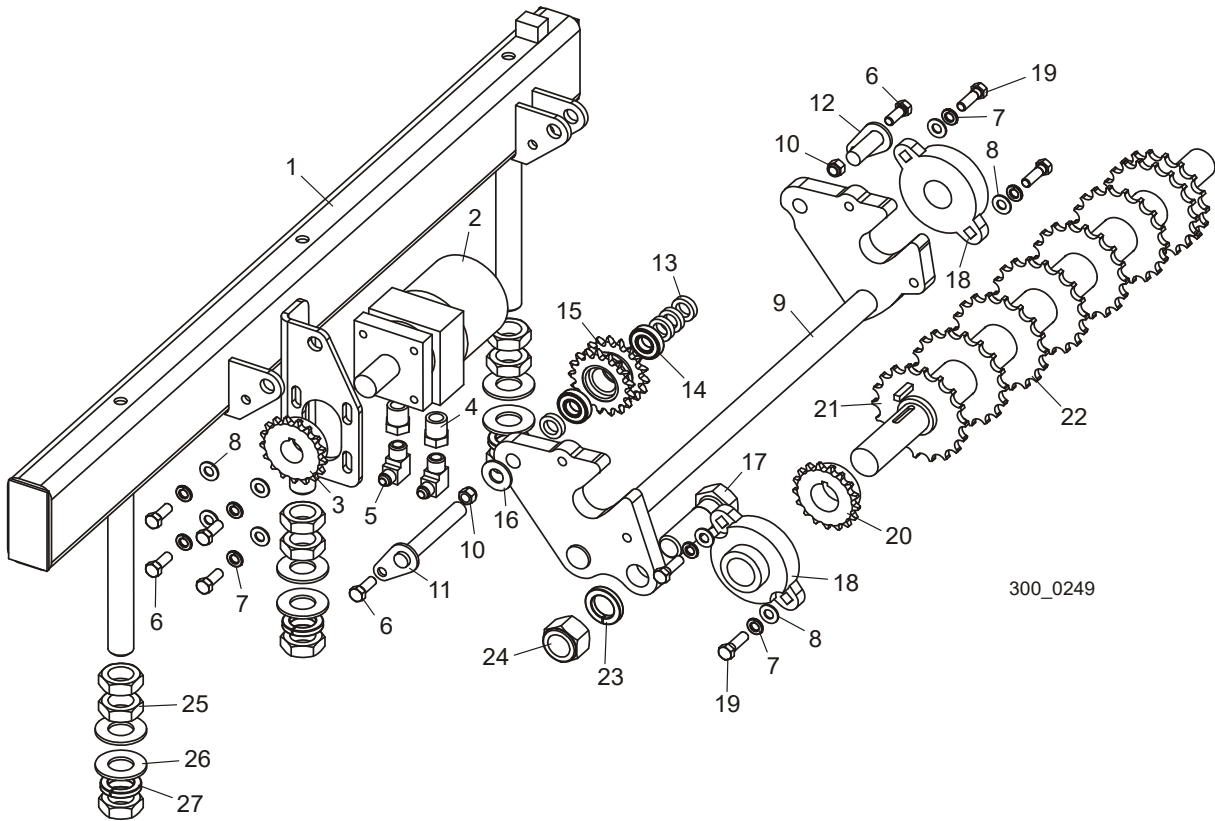
8

Hydraulics*Power Taper Set Roller (Optional)*

	Roller Assembly, Rear Toe Board	066888	1	
	Roller Assembly, Front Toe Board	066895	1	
8	Plate, Toe Board Main Drive	066889	1	
9	Bearing, 45mm x 75mm x 16mm Sealed	066900	2	
10	Plate, Toe Board Motor Mount	066901	1	
11	Roller Weldment, Toeboard	066902	1	
12	Plate, Toe Board End	066905	1	
13	Guard Weldment, Rear Motor	066908	1	
	Guard Weldment, Front Motor	066897	1	
14	Fitting, 3/8JIC x 1/2 NPT Male 45 Deg	066912	2	
15	Arm Weldment, Toe Board Link	066918	1	
16	Plate, 1.01 x 1.63x.06 Spacer	074280	1	
17	Bolt, 3/8-16 x 5/8" Hex Head Grade 5	F05007-148	2	
18	Bolt, 3/8-16 x 3/4" Hex Head Grade 5	F05007-118	1	
19	Bolt, 3/8-16 x 1 3/4" Hex Head Grade 5	F05007-119	4	
20	Bolt, 3/8-16 x 2" Hex Head Grade 8	F05007-223	4	
21	Bolt, 3/8-16 x 1" Hex Head Grade 5	F05007-87	4	
22	Nut, 3/8-16 Hex Nylon Lock	F05010-10	4	
23	Washer, 3/8 x1-1/2 x 1/8 Thick Hardened	F05011-104	1	
24	Washer, 3/8" Split Lock	F05011-4	9	
25	Pin, 1/2" x 1 1/2" Roll	F05012-150	2	
26	Ring, 45mm External Retaining	F81090-32	2	
27	Ring, 75mm Internal Retaining	F81090-41	4	
28	Motor, Hydraulic, TB0130FP130AAAA	074281	1	
	Seal Kit, Hydraulic Motor	061136	1	

8.13 Power Taper Set Roller (Optional)

WM4000 PTSR Rev. A.00



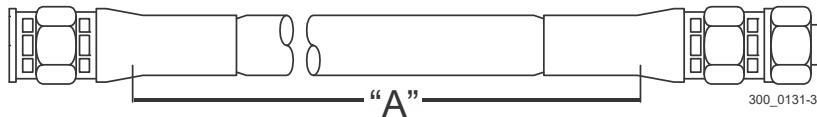
REF	DESCRIPTION (◆ Indicates Parts Available In Assemblies Only)	PART #	QTY.
	TUBE ASSEMBLY, REAR POWER TAPER SET ROLLER	074026	1
	TUBE ASSEMBLY, FRONT POWER TAPER SET ROLLER	074024	1
1	Tube Weldment, WM4000 Rear Power Taper Set Roller	074025	1
	Tube Weldment, WM4000 Front Power Taper Set Roller	074023	1
2	Motor, Hydraulic #MG06-13-13AAAB	P21506	1
3	Sprocket, 40B17 x 1"	003883	1
4	Fitting, 1/2" NPT x 3/8" NPT Hex Reducer	028073	2
5	Fitting, 3/8" NPT-3/8" JIC 90 Elbow	016820	2
6	Bolt, 3/8-16 x 1" Hex Head Grade 5	F05007-87	7
7	Washer, 3/8" Split Lock	F05011-4	7
8	Washer, 3/8" Flat SAE	F05011-3	8
9	Roller Weldment, Rear Toe Board	003879	1
	Roller Weldment, Front Toe Board	006679	1
10	Nut, 3/8-16 Hex Nylon Lock	F05010-10	2
11	Pin Weldment, 5/8" x 4 1/16"	003886	1
12	Pin Weldment, 5/8" x 1 3/4"	003887	1

8

Hydraulics*Power Taper Set Roller (Optional)*

13	Spacer, .63" x 1.00" x .25"	017719	4	
14	Bearing, R-10	P04156	2	
15	Sprocket Wedment, Dual 17/17T	W12474	1	
16	Washer, 5/8" SAE Flat	F05011-5	1	
17	Washer, 3/8" ID x 1 1/4" OD	S02779	1	
18	Bearing, 1 1/4" Flange, IPTCI	003896	1	
19	Bolt, 3/8-16 x 1 1/4" Hex Head Grade 5	F05007-123	4	
20	Sprocket, 40B17 x 1 1/4"	003884	1	
21	Key, 1/4" x 1"	S21486	1	
22	Roller, Powered Toeboard	003881	1	
23	Washer, 1" Split Lock	F05011-53	4	
24	Nut, 1-8 Self-Locking Hex	F05010-109	1	
	Chain, #40 x 32 Pitch	003895	2	
	Link, #40 Master	P04200	2	
25	Nut, 1-8 Hex Jam	F05010-188	9	
26	Washer, 1" ID SAE Flat	F05011-28	6	

8.14 Hydraulic Hoses



COLOR	LENGTH "A" WM4000	DESCRIPTION	Part No. WM4000
1/4" Hydraulic Hoses (R02135)			
Yellow	222"	1/4" TOE BOARD #1 TOP	079000-222
Grey	219"	1/4" TOE BOARD #1 BASE	079000-219
Purple	299"	1/4" TOE BOARD #2 TOP	079000-299
Black	296"	1/4" TOE BOARD #2 BASE	079000-296
Red	336"	1/4" TOE BOARD #3 TOP	079000-336
Blue	333"	1/4" TOE BOARD #3 BASE	079000-333
3/8" Hydraulic Hoses (042828)			
Pink	230"	3/8" VALVE TO TURNER BASE T	079001-230
Pink	19"	3/8" TURNER T TO 1ST TURNER BASE	079001-19
Pink	58"	3/8" TURNER T TO 2ND TURNER BASE	079001-58
Plain	85"	3/8" VALVE TO TURNER FLOW DIVIDER	079001-85
Plain	150"	3/8" FLOW DIVIDER TO 1ST TURNER TOP	079001-150
Plain	192"	3/8" FLOW DIVIDER TO 2ND TURNER TOP	079001-192
Black	224"	3/8" VALVE TO SIDE SUPPORT T	079001-224
Purple	224"	3/8" VALVE TO SIDE SUPPORT T	079001-224
Black	42"	3/8" T TO SIDE SUPPORT 1 CYLINDER BASE	079001-42
Purple	40"	3/8" T TO SIDE SUPPORT 1 CYLINDER TOP	079001-40
Black	95"	3/8" T TO SIDE SUPPORT 2 CYLINDER BASE	079001-95
Purple	93"	3/8" T TO SIDE SUPPORT 2 CYLINDER TOP	079001-93
Orange	284"	3/8" CLAMP IN/OUT BASE	079001-284
White	294"	3/8" CLAMP IN/OUT TOP	079001-294
Green	300"	3/8" CLAMP UP/DOWN TOP	079001-300
Yellow	300"	3/8" CLAMP UP/DOWN BASE	079001-300
1/2" Hydraulic Hoses (R02134)			
Black	314"	1/2" TURNER MOTOR (FAR)	079004-314
Purple	282"	1/2" TURNER MOTOR (NEAR)	079004-282
Plain	108"	1/2" TURNER TO TURNER	079004-108
Red ¹	471"	1/2" CONVEYOR MOTOR DRIVE	079004-471
Blue ¹	471"	1/2" CONVEYOR MOTOR RETURN	079004-471

¹ Changed hoses and fittings for conveyor drive motor from 3/8" to 1/2" (WM4000 Rev. A3.01).

8 Hydraulics

Hydraulic Hoses

Optional WM4000-BX6 Bed Extension Hydraulic Hoses

COLOR	LENGTH FOR OPTIONAL WM4000-BX6	DESCRIPTION	Part No. WM4000-BX6	
1/4" Hydraulic Hoses (R02135)				
Yellow	72"	1/4" TOE BOARD #1 TOP	074191	
Grey	72"	1/4" TOE BOARD #1 BASE		
Purple	72"	1/4" TOE BOARD #2 TOP		
Black	72"	1/4" TOE BOARD #2 BASE		
Red	72"	1/4" TOE BOARD #3 TOP		
Blue	72"	1/4" TOE BOARD #3 BASE		
3/8" Hydraulic Hoses (042828)				
Pink	72"	3/8" VALVE TO TURNER BASE T	074184	
Plain	72"	3/8" FLOW DIVIDER TO 1ST TURNER TOP		
Plain	72"	3/8" FLOW DIVIDER TO 2ND TURNER TOP		
Black	72"	3/8" VALVE TO SIDE SUPPORT T		
Purple	72"	3/8" VALVE TO SIDE SUPPORT T		
Orange	72"	3/8" VALVE TO CLAMP IN/OUT BASE		
White	72"	3/8" VALVE TO CLAMP IN/OUT TOP		
Green	72"	3/8" VALVE TO CLAMP UP/DOWN TOP		
Yellow	72"	3/8" VALVE TO CLAMP UP/DOWN BASE		
Red	72"	3/8" VALVE TO CONVEYOR MOTOR DRIVE		
Blue	72"	3/8" VALVE TO CONVEYOR MOTOR RETURN		
Plain	72"	3/8" VALVE TO PTSR DRIVE		
Plain	72"	3/8" VALVE TO PTSR RETURN		
1/2" Hydraulic Hoses (R02134)				
Black	72"	1/2" TURNER MOTOR (FAR)		074192
Purple	72"	1/2" TURNER MOTOR (NEAR)		
Plain	72"	1/2" TURNER TO LOG DECK MOTOR		
Plain	72"	1/2" TURNER TO LOG DECK MOTOR		
Plain	72"	1/2" TURNER TO LOG DECK SIDE SUPPORTS		
Plain	72"	1/2" TURNER TO LOG DECK SIDE SUPPORTS		

Optional WM4000-BX12 Bed Extension Hydraulic Hoses

COLOR	LENGTH FOR OPTIONAL WM4000-BX12	DESCRIPTION	Part No. 074225
1/4" Hydraulic Hoses			
Yellow	144"	1/4" VALVE TO TOE BOARD #1 TOP	R02135
Grey	144"	1/4" VALVE TO TOE BOARD #1 BASE	
Purple	144"	1/4" VALVE TO TOE BOARD #2 TOP	
Black	144"	1/4" VALVE TO TOE BOARD #2 BASE	
Red	144"	1/4" VALVE TO TOE BOARD #3 T ASSY TOP	
Blue	144"	1/4" VALVE TO TOE BOARD #3 T ASSY BASE	
Red	144"	1/4" PTSR T ASSEMBLY TO BX REAR TOP	
Blue	144"	1/4" PTSRT ASSEMBLY TO BX REAR BASE	
Orange	144"	1/4" BX VALVE B TO BX PTSR FRONT TOP	
White	144"	1/4" BX VALVE A TO BX PTSR FRONT BASE	
3/8" Hydraulic Hoses			
Pink	144"	3/8" VALVE A TO TURNER BASE T ASSEMBLY	042828
Pink	60"	3/8" T ASSEMBLY TO BED EXT TURNER BASE	
Pink	144"	3/8" TURNER VALVE B TO FD66/33 #3	
Plain	24"	3/8" TURNER FD66/33 #4 TO FD50/50 #3 TEE	
Plain	42"	3/8" TURNER FD66/33 #2 TO SV #2	
Plain	42"	3/8" TURNER SV#1 TO FD50/50 #3 TEE	
Plain	168"	3/8" TURNER FD50/50 #4 TO 1ST TOP UNION	
Plain	168"	3/8" TURNER FD50/50 #2 TO 2ND TOP UNION	
Plain	120"	3/8" SV #3 TO BX TURNER TOP	
Black	120"	3/8" VALVE B TO SIDE SUPPORT FD#3	
Black	42"	3/8" SIDE SUPPORT SV#1 TO FD#4 TEE	
Black	36"	3/8" SIDE SUPPORT FD#2 TO SV#2	
Black	108"	3/8" SIDE SUPPORT BV#2 TO BX BASE T	
Black	48"	3/8" SIDE SUPPORT FD#4 TO WM4000 UNION	
Purple	144"	3/8" VALVE A TO SIDE SUPPORT T ASSEMBLY	
Black	42"	3/8" BX T TO BX CYLINDER 1 BASE	
Purple	84"	3/8" T ASSY TO BX CYLINDER 1 TOP	
Black	80"	3/8" BX T TO BX CYLINDER 2 BASE	
Purple	122"	3/8" BX T TO BX CYLINDER 2 TOP	
Orange	144"	3/8" VALVE TO CLAMP IN/OUT BASE EXT	
White	144"	3/8" VALVE TO CLAMP IN/OUT TOP EXT	
Green	144"	3/8" VALVE TO CLAMP UP/DN TOP EXT	
Yellow	144"	3/8" VALVE TO CLAMP UP/DN BASE EXT	
Orange	213"	3/8" BX VALVE A TO BX CLAMP IN/OUT BASE	
White	223"	3/8" BX VALVE B TO BX CLAMP IN/OUT TOP	
Green	229"	3/8" BX VALVE B TO BX CLAMP UP/DN TOP	

8 Hydraulics

Hydraulic Hoses

Yellow	229"	3/8" BX VALVE A TO BX CLAMP UP/DN BASE	042828
Red	144"	3/8" VALVE A TO 4000 PTSR MOTOR A UNION	
Red	204"	3/8" SV #3 TO PTSR BX MOTOR #1 A	
Blue	204"	3/8" PTSR BX MOTOR #1 B TO BV #2	
Blue	259"	3/8" PTSR 2ND BX MOTOR B TO SV #2	
Blue	144"	3/8" SV #1 TEE TO WM4000 VALVE B	
1/2" Hydraulic Hoses			
Black	96"	1/2" TURNER MOTOR(FAR) TO SELECTOR #2	R02134
Black	96"	1/2" SELECTOR #1 TEE TO VALVE A	
Black	178"	1/2" BX MOTOR B TO BLOCKING VALVE 2	
Purple	178"	1/2" SELECTOR VALVE #3 TO BX MOTOR A	
Purple	144"	1/2" VALVE TO TURNER MOTOR A (NEAR) EXT	
Red	144"	1/2" VALVE TO CONVEYOR MOTOR DRIVE	
Blue	144"	1/2" VALVE TO CONVEYOR MOTOR RETURN	
Plain	5"	1/2" D03 MANIFOLD P TO BX D03 MANIFOLD P	
Plain	24"	1/2" D03 MANIFOLD T TO BX D03 MANIFOLD T	

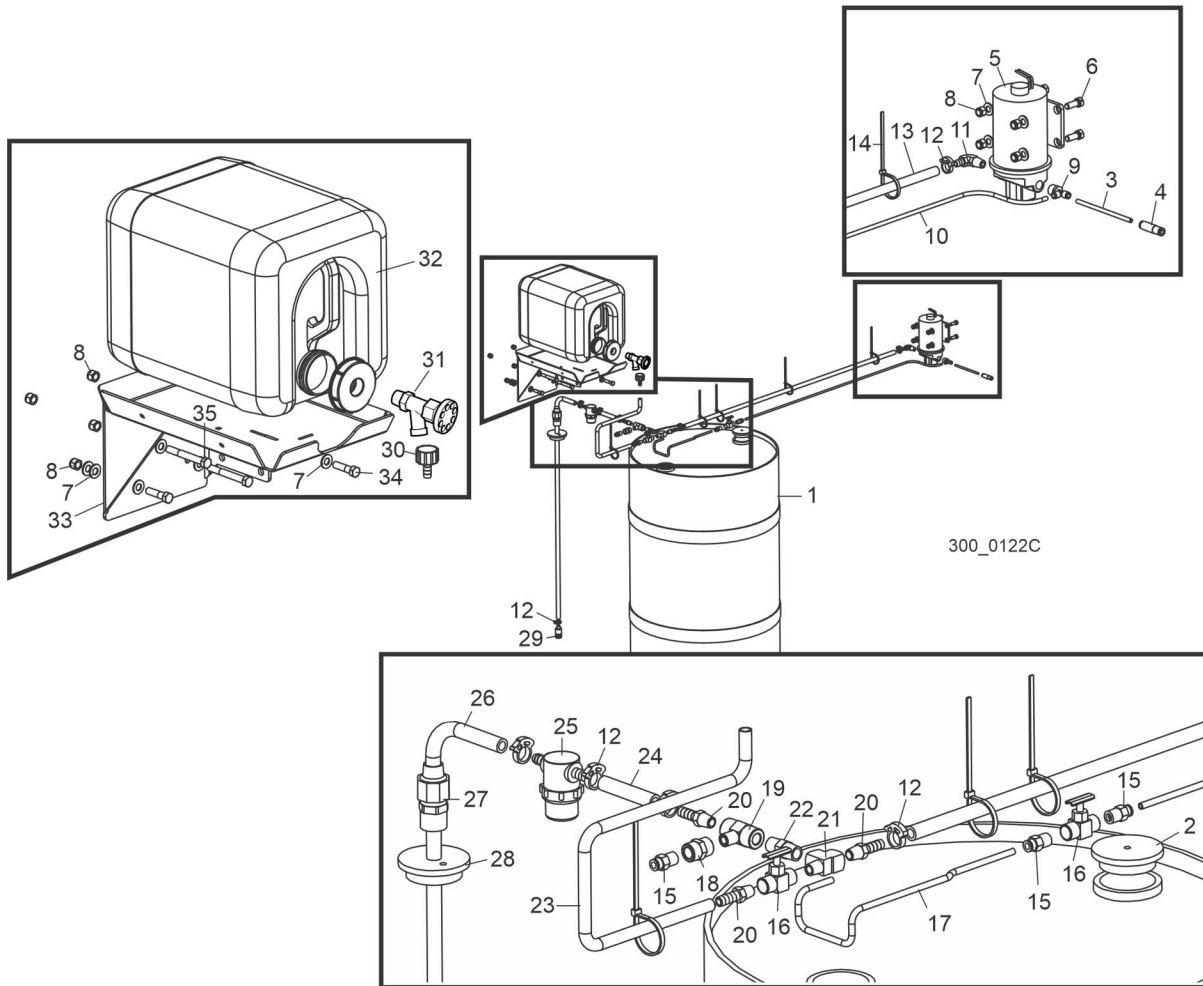
Optional WM4000-BX12 Bed Extension Hydraulic Hoses (2nd Log Deck Hose Kit)

COLOR	LENGTH FOR OPTIONAL WM4000-BX12	DESCRIPTION	Part No. 074867
3/8" Hydraulic Hoses			
Green	72"	3/8" BX LD T TO CYLINDER TOP	042828
Green	72"	3/8" BX LD T TO CYLINDER TOP	
Yellow	72"	3/8" BX LD T TO CYLINDER BASE	
Yellow	72"	3/8" BX LD T TO CYLINDER BASE	
1/2" Hydraulic Hoses			
Orange	144"	1/2" VALVE A TO LD MOTOR SV#2 144	R02134
Orange	144"	1/2" LD MOTOR SV#1 TO LD MOTOR B UNION	
Orange	192"	1/2" LD MOTOR SV#3 TO BX LD MOTOR B	
White	144"	1/2" VALVE B TO LD MOTOR A UNION	
White	192"	1/2" BX LD MOTOR A TO LD MOTOR BV#2	
Green	144"	1/2" VALVE B TO LD LOADING ARM FD IN	
Green	120"	1/2" LD LOADING ARM FD OUT #1 TO SV#2	
Green	120"	1/2" LD LOADING SV#1 TO FD OUT #2 T	
Green	240"	1/2" LD LOADING BV#2 TO BX LD CYLINDER TOP	
Yellow	144"	1/2" VALVE A TO LD CYLINDER BASE T ASSEMBLY	
Yellow	120"	1/2" LD CYLINDER BASE T ASSEMBLY TO BX CYL BASE	

SECTION 9 MISCELLENEOUS

9.1 Lube System

LT300Rev. A9.05+



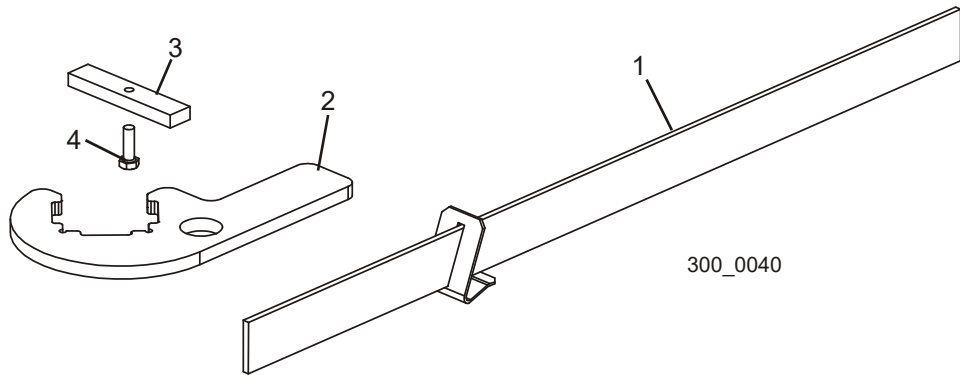
REF	PART #	DESCRIPTION	COMMENTS	QTY.
	016926	LUBE SYSTEM, BLADE		1
1	016784	Barrel, Plastic		1
2	016786	Cap, Barrel Vent		1

9 **Miscellaneous**
Lube System

REF	PART #	DESCRIPTION	COMMENTS	QTY.
3	074018	Tube, 1/4" x 100 Ft. Chainflex Pressure	Replaces 016944 1/4" x 107 Ft. Hose (WM3500 Rev. B7.00+). Additional 6 foot of hose supplied for LT300-BX6WM3000-BX6WM3500-BX6. Additional 10 foot of hose supplied for LT300-BX10WM3000-BX10.	1
4	016827	Fitting, 1/4" Tube 6 PSI Check Valve		1
	025249	Cable Assembly, Lube Power		1
	016883	Pump Assembly, Lube		1
5	050029	Pump Assembly, Lube w/Wires		1
6	F05007-87	Bolt, 3/8-16 x 1" Hex Head Grade 5		4
7	F05011-3	Washer, 3/8" Flat		10
8	F05010-10	Nut, 3/8-16 Hex Nylon Lock		8
9	016961	Fitting, 3/8" NPT x 1/4" Tube Male Run Tee		1
10	016885	Hose, 1/4" x 40"		1
11	P12708	Fitting, 3/8" NPT x 3/8" Hose Barb Elbow		1
12	016845	Clamp, Single Snap Grip #38		6
13	016829	Hose, 3/8" x 44"		1
14	F05089-3	Tie Wrap, 3/16" x 5 1/2" UV Black		6
15	P20903	Fitting, 1/4" NPT x 1/4" Tube Straight		3
16	051392	Valve, 1/4" NPT Female Needle		2
17	016886	Hose, 1/4" x 24"		1
18	P03420	Fitting, 1/4" NPT Coupling		1
19	015486	Fitting, 1/4" NPT Branch Tee		1
20	014685	Fitting, 1/4" NPT x 3/8" Hose Barb		3
21	P05382	Fitting, 1/4" NPT Male x 1/4" Female x 2		1
22	P21524	Fitting, 1/4" NPT Nipple		1
23	038495	Hose, 3/8" ID x 25" Tygothane		1
24	038494	Hose, 3/8" x 3"		1
25	033447	Filter, 3/8" Hose Barb Lube		1
	033441	Screen Kit, Mesh Filter		1
	061768	Gasket, Filter Bowl		1
	003198	Bowl, LubeMizer Filter Replacement		1
26	016884	Hose, 3/8" x 40"		1
27	016935	Fitting, 1/2" x 1/2" Compression Coupler		1
28	016785	Cap, Barrel Vent		1
29	016939	Fitting, 3/8" Barb Foot Check Valve		1
30	014113	Fitting, 5/8" NPT x 3/8" Hose Barb		1
31	133320	Valve, 3/4 NPT Elbow 3/4 Male GHT Outlet	Replaced 014100 after 9/19/2024 per ECN 38718.	1
	014100	Valve, 3/4" NPT Elbow PVC		1
	014636	Fitting, 3/4" FPT x 3/4" MPT	Deleted after 9/19/2024 per ECN 38718.	1

REF	PART #	DESCRIPTION	COMMENTS	QTY.
32	014642	Bottle Assembly, Water Lube w/Cap	Use Water Bottle Assembly w/Cap 014642 to service all bottle/cap combinations previously supplied. Bottle 014367, 61mm Cap 014773 and 70mm Cap 036744 no longer available separately.	1
	061372	O-ring, Water Bottle Cap	If the water bottle cap keeps leaking, add this o-ring to the cap. Leave the existing o-ring installed.	1
33	038498	Bracket, Auxiliary Tank Mount		1
34	F05007-78	Bolt, 3/8-16 x 1 1/2" Hex Head Grade 5		2
35	F05007-73	Bolt, 3/16 x 3" Hex Head Grade 5		2

9.2 Tools



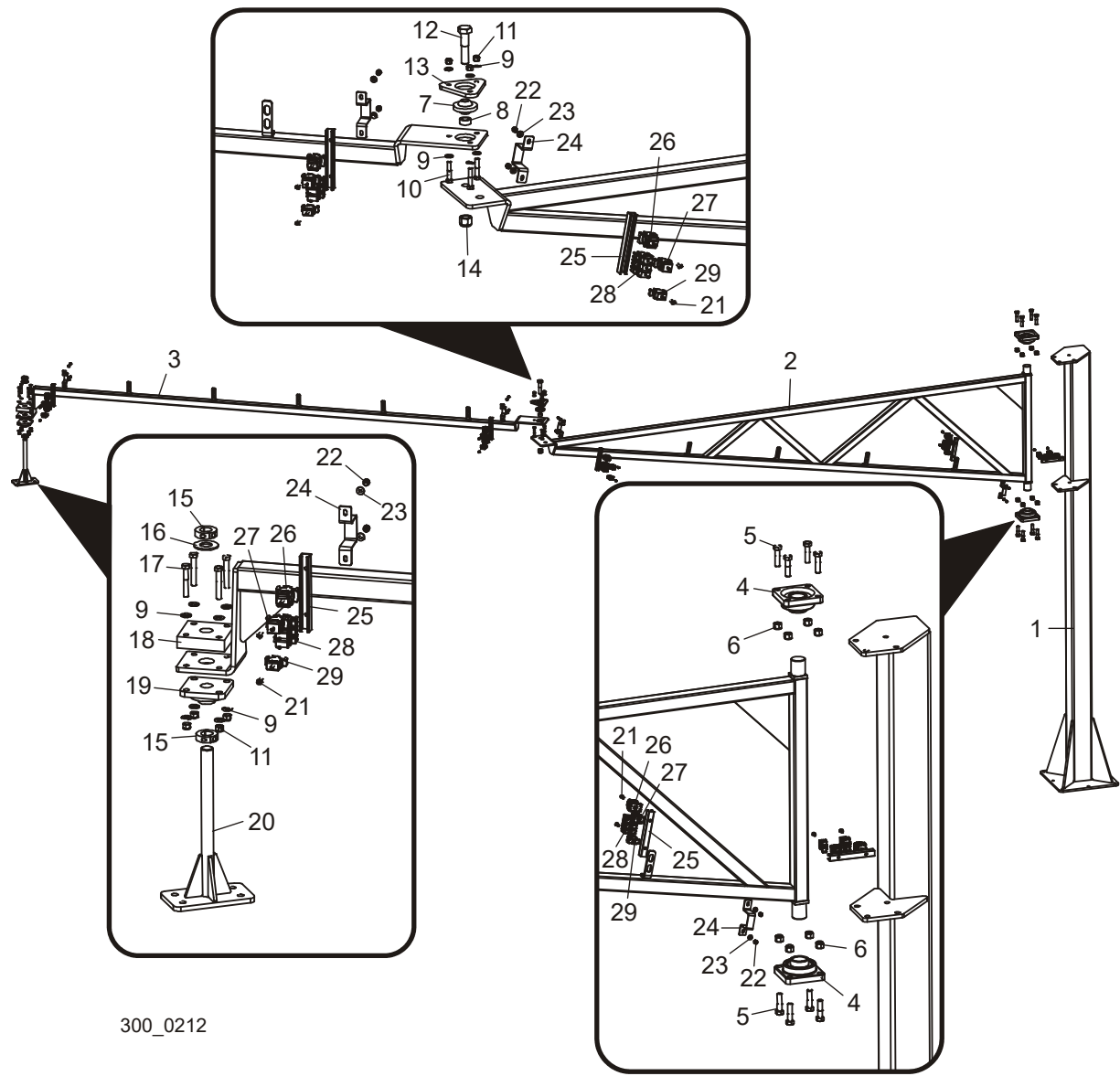
REF	DESCRIPTION (◆ Indicates Parts Available In Assemblies Only)	PART #	QTY.
1	ALIGNMENT TOOL, BLADE GUIDE	LTBGAT	1
2	ALIGNMENT TOOL, BLADE GUIDE ARM	042700	1
3	BLOCK, BLADE GUIDE ALIGNMENT	035799	2
4	BOLT, #10-32 X 5/8" HEX HEAD	F05004-152	2
	HONE, 6" COURSE DIAMOND BENCH SHARPENING (NOT SHOWN)	017813	1

9.3 Manuals



REF	DESCRIPTION (◆ Indicates Parts Available In Assemblies Only)	PART #	QTY.	
WM4000 Manuals				
1	MANUAL, WM4000 OPERATOR'S	M2013	1	
2	MANUAL, WM4000 PARTS	M2015	1	
Option Manuals				
3	MANUAL, INCLINE CONVEYOR OPTION	M1121	1	
4	MANUAL, INCLINE BELT CONVEYOR (CB6)	M2021	1	
5	MANUAL, TD2 TRANSFER DECK OPTION	M1192	1	
6	MANUAL, LD12/LD20 LOG INFEED DECK OPTION	M1120	1	
7	MANUAL, THREE-WAY DECK OPTION	M1208	1	
8	MANUAL, DEBARKER OPTION	M1264	1	
Schematics				
9	SCHEMATIC, WM4000 ELECTRICAL	M2018	1	
10	SCHEMATIC, WM4000 AIR	M1015	1	

9.4 Pantograph Assembly



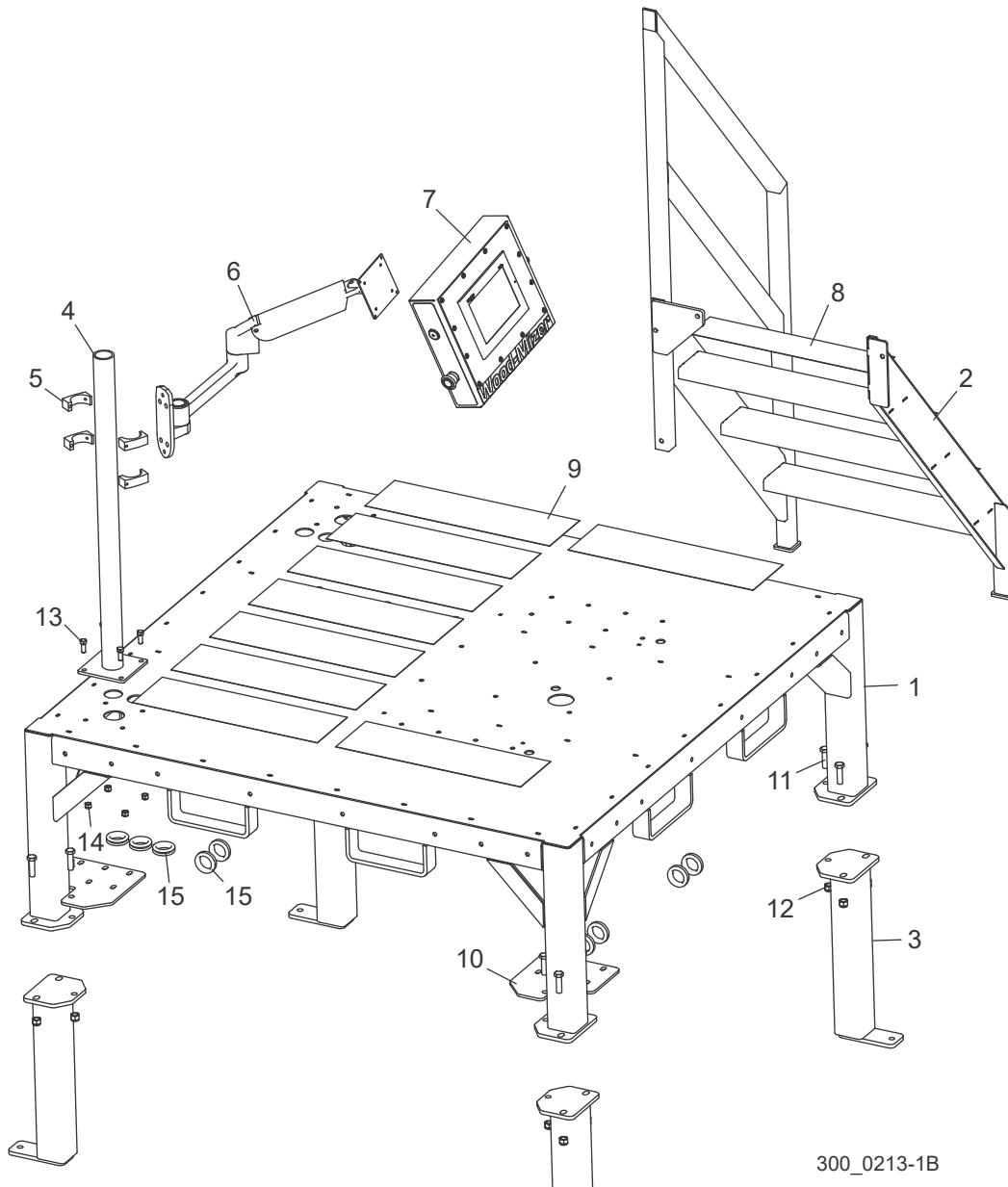
300_0212

REF	DESCRIPTION (◆ Indicates Parts Available In Assemblies Only)	PART #	QTY.
	PANTOGRAPH ASSEMBLY, WM4000 OVERHEAD CABLE	065995	1
1	Tube Weldment, Pantograph	074002	1
2	Arm Weldment, Pantograph A-Frame	074000	1
3	Arm Weldment, Pantograph Connector	074001	1
	Bolt, 1/2" x 5 1/2" Concrete Wedge Anchor	F05008-131	8
4	Bearing, 1 15/16" 4-Bolt Flange	033712	2
5	Bolt, 5/8-11 x 2 1/2" Hex Head Grade 5	F05009-20	8

6	Nut, 5/8-11 Hex Nylon Lock	F05010-34	8	
7	Ball Joint, 3/4" ID x 2 1/2" OD	042538	1	
8	Spacer, 25/32" 1 1/8" x 1/2"	057913	1	
9	Washer, 3/8" SAE Flat	F05011-3	14	
10	Bolt, 3/8-16 x 2" Hex Head Grade 8	F05007-124	3	
11	Nut, 3/8-16 Hex Nylon Lock	F05010-10	7	
12	Bolt, 3/4-10 x 3 1/2" Hex Head Grade 5	F05009-54	1	
13	Plate, Ball Joint Retainer	057912	1	
14	Nut, 3/4-10 Hex Nylon Lock	F05010-103	1	
15	Collar, 1" Lock	038444	2	
16	Washer, 1" SAE Flat	F05011-28	1	
17	Bolt, 3/8-16 x 2 1/2" Hex Head Grade 5	F05007-125	4	
18	Block, Bearing Mount	057910	1	
19	Bearing, VF4S-216 Flanged	014090	1	
20	Bracket Weldment, LT300 Pantograph Pivot	057481	1	
21	Screw, 1/4-20 x 3/4" SBHC	F05005-60	8	
22	Nut, 1/4-20 Nylock	F05010-69	8	
23	Washer, 1/4" SAE Flat	F05011-11	8	
24	Plate, Strain Relief Mount	074004	4	
	Relief Assembly, WM4000 Strain	074003	5	
25	Rail, CFX Strain Relief Profile	065979	1	
26	Strain Relief, CFX 22-26mm Single Cable	065975	1	
27	Strain Relief, CFX 18-20mm Single Cable	065976	1	
28	Strain Relief, CFX 6-12mm DoubleCable	065977	3	
29	Strain Relief, CFX 12-14mm Single Cable	065978	1	
	Tie Wrap, 5/16 x 15 UV	F05089-5	20	
	Tie Wrap, 3/16 x 6 UV Black	F05089-3	10	

SECTION 10 OPERATOR STATION

10.1 Frame, Rails & Ladder

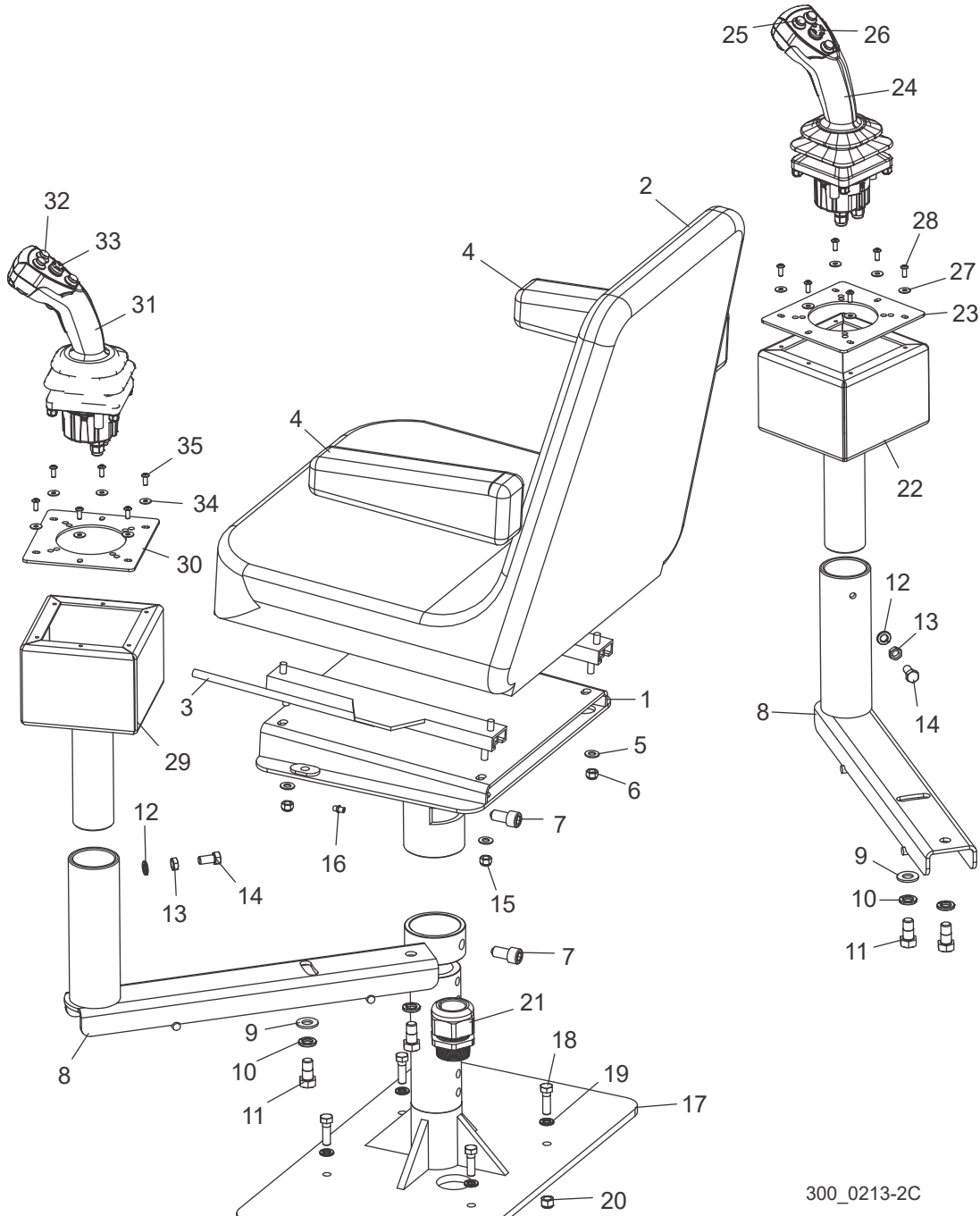


300_0213-1B

REF	DESCRIPTION (◆ Indicates Parts Available In Assemblies Only)	PART #	QTY.
1	STAND WELDMENT, WM4000 OPERATOR STATION	058152	1
2	STAIR/RAIL WELDMENT, OPERATOR STAND	065469	1
3	LEG WELDMENT, 18" 3 X 3 EXTENSION	065462	6
4	POST WELDMENT, 33" MOUNT	063020	1

5	CLAMP, 2" 2-PIECE MOUNT	065965	2	
6	ARM, MONITOR/CONTROL	063033	1	
7	CONTROL ASSEMBLY, OPERATOR (WM4000) (See Section 10.3)	069952	1	
	CONTROL ASSEMBLY, OPERATOR (WM4500) (See Section 10.3)	078793	1	
8	PAD, NON-SKID 4X20	016895	3	
9	PAD, NON-SKID STEP, 6" WIDE	045149	9	
10	PLATE, WM4000 HYDRAULIC HOSE	074037	2	
11	BOLT, 1/2-13 X 1 3/4" HEX HEAD GRADE 5 FULL THREAD	F05008-88	12	
12	NUT, 1/2-13 NYL HEX LOCK	F05010-8	12	
13	BOLT, 3/8-16 X 1" HEX HEAD GRADE 5	F05007-87	4	
14	NUT, 3/8-16 HEX NYLOC	F05010-10	4	
15	GROMMET, 1-1/2 ID - 3/16 MATL	043405	14	

10.2 Seat & Joystick Controls



300_0213-2C

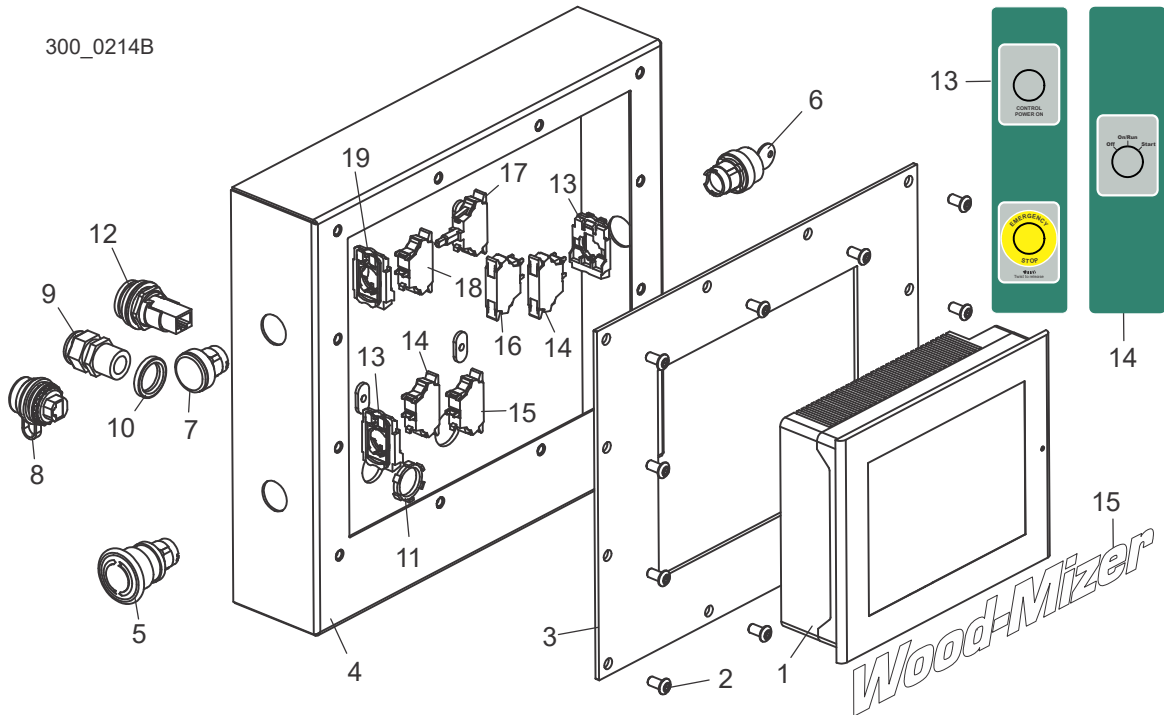
REF	DESCRIPTION (◆ Indicates Parts Available In Assemblies Only)	PART #	QTY.
1	MOUNT WELDMENT, OPERATOR SEAT	045134	1
2	SEAT, OPERATOR	038719	1
3	ADJUSTER ASSEMBLY, OPERATOR SEAT (MILSCO)	038720	1

4	ARMREST, OPERATOR SEAT (PAIR, MILSCO)	038721	1	
5	WASHER, 5/16" SAE FLAT	F05011-17	4	
6	NUT, 5/16-18 NYLON LOCK	F05010-58	4	
7	BOLT, 1/2-20 X 1" SOCKET HEAD	F05008-57	2	
8	ARM WELDMENT, CONTROL	038857	2	
9	WASHER, 1/2" SAE FLAT	F05011-2	2	
10	WASHER, 1/2" SPLIT LOCK	F05011-9	4	
11	BOLT, 1/2-13 X 1" HEX HEAD	F05008-50	4	
12	WASHER, 3/8" SPLIT LOCK	F05011-4	2	
13	NUT, 3/8-16 HEX JAM	F05010-29	2	
14	BOLT, 3/8-16 X 3/4" HEX HEAD GRADE 5	F05007-118	2	
15	COLLAR, SEAT POST MOUNT	045135	1	
16	FITTING, 1/4-28 GREASE	P05060	2	
17	POST WELDMENT, OPERATOR SEAT	068073	1	
18	BOLT, 3/8-16 X 1 1/4" HEX HEAD GRADE 5	F05007-123	4	
19	WASHER, 3/8" SPLIT LOCK	F05011-4	4	
20	NUT, 3/8-16 HEX NYLOC	F05010-10	4	
21	CORDGRIP, .88"-1.26" 1 1/4" NPT	057953	1	
	CONTROL ASSEMBLY, RIGHT JOYSTICK	069992	1	
22	Box Weldment, Right Joystick	038863	1	
23	Cover, Joystick Control Box	038861	1	
24	Joystick, 4-Button w/4-Way Switch	078360 ¹	1	
25	Button, Joystick Press	061192	4	
26	Button, Joystick 4-Way Directional	061193	1	
27	Washer, #10 SAE Flat	F05011-18	6	
28	Screw, #10-24 x 1/2" Socket Button Head	F05004-35	6	
	Cable Assembly, Ind. Mill Right Joystick	078660 ²	1	
	CONTROL ASSEMBLY, LEFT JOYSTICK	069991	1	
29	Box Weldment, Left Joystick	038862	1	
30	Cover, Joystick Control Box	038861	1	
31	Joystick, 4-Button w/4-Way Switch	078360 ¹	1	
32	Button, Joystick Press	061192	4	
33	Button, Joystick 4-Way Directional	061193	1	
34	Washer, #10 SAE Flat	F05011-18	6	
35	Screw, #10-24 x 1/2" Socket Button Head	F05004-35	6	
	Cable Assembly, Ind. Mill Left Joystick	078659 ²	1	

¹ 078360 4-Button w/4-Way Switch Joystick replaces 069716 3-Button Control Joystick to improve durability (Rev. A8.01).

² 078660 replaced 069983 Cable Assembly, Ind. Mill Right Joystick and 078659 replaced 069982 Cable Assembly, Ind. Mill Left Joystick (Rev. B2.00).

10.3 Control Box Assembly

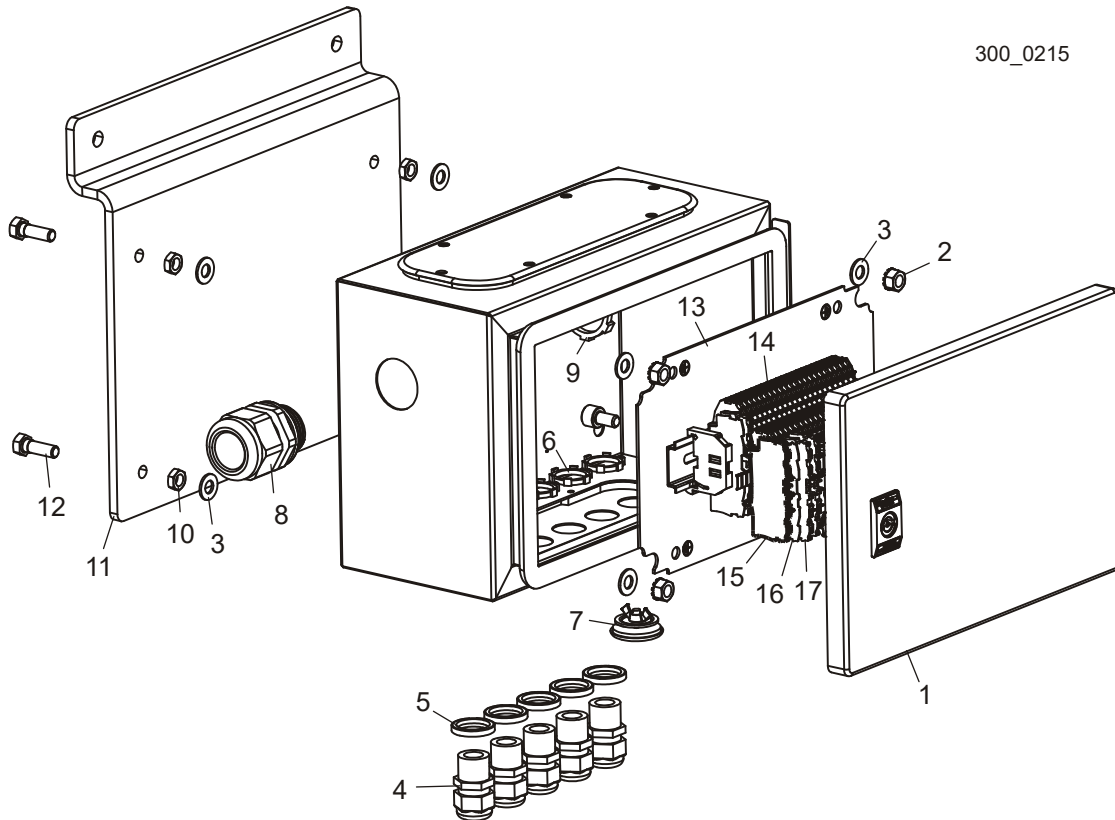


REF	DESCRIPTION (◆ Indicates Parts Available In Assemblies Only)	PART #	QTY.
	CONTROL ASSEMBLY, INDUSTRIAL MILL HMI	069952 ¹	1
1	HMI Assembly, Industrial Mill	078654	1
2	Screw, 1/4-20 x 1/2" BHSC SS Gr2	F05005-112	12
3	Plate, WM4000 Screen Bezel	069955	1
4	Box Weldment, Control Monitor	058922	1
5	Push-Button, Mshrm Mntnd Red TrnRI ZB5	068940	1
6	Switch, Key 3Pos Mom R-C	068941	1
7	Push-Button, ill. Green ZB5	068900	1
8	Receptacle, Panel Mount USB	068178	1
9	Connector, 1/2" NPT .17-.47	051299	1
10	Ring, 1/2 Sealing	E20460	1
11	Nut, 1/2 npt Connector Lock	E20461	1
12	Receptacle, Panel Mount RJ45 Straight	052993	1
	Switch Collar Assembly, Mount 1NC ZB5	068950	2
13	Switch Collar, Mount ZB5	068951	1
14	Switch Block, Contact NC ZB5	068921	1
15	Switch Block, Contact NC ZB5	068921	1
16	Switch Block, NO ZB5	068920	1
17	Light Module, Green ZB5	068910	1
	Collar, Mount 1NO ZB5	068952	1

18	Switch Block, NO ZB5	068920	1	
19	Switch Collar, Mount ZB5	068951	1	
20	Decal, Ind. Mill Power E-Stop	068208	1	
21	Decal, Ind. Mill Key Switch	068209	1	
22	Decal, Wood-Mizer Logo White HLTK	065037	1	
	Cable Assembly, Ind. Mill HMI Control	078658	1	
	Cable Assembly, Ind. Mill Ethernet HMI Int	069986	1	
	Cable Assembly, Ind. Mill HMI Ethernet	069997	1	

¹ 078654 replaced 078440 HMI Assembly, Industrial Mill and 078658 replaced 069985 Cable Assy, Ind. Mill HMI Control (Rev. B2.00). Previously, 078440 replaced 069953 HMI Assembly, Industrial Mill that became obsolete (Rev. B1.00).

10.4 Junction Control Assembly



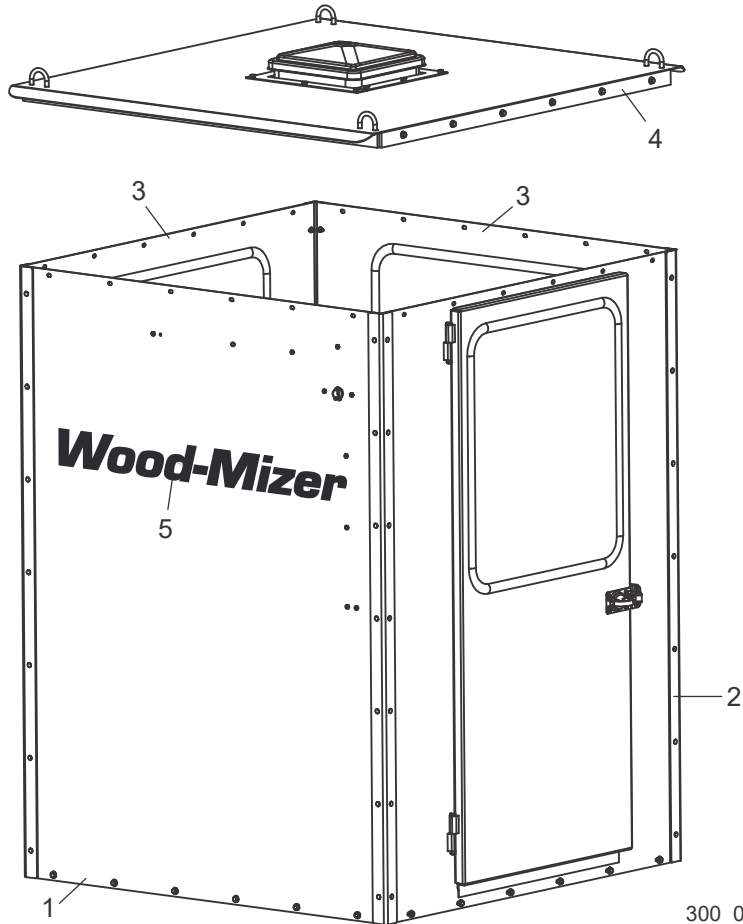
300_0215

REF	DESCRIPTION (◆ Indicates Parts Available In Assemblies Only)	PART #	QTY.
	CONTROL ASSEMBLY, INDUSTRIAL MILL OPERATOR JUNCTION	069899	1
1	Enclosure, Industrial Mill Operator Junction	069898	1
2	Nut, 5/16-18 Keps	F05010-20	4
3	Washer, 5/16" SAE Flat	F05011-17	8
4	Connector, 1/2" NPT .17-.47	051299	5
5	Ring, 1/2" Sealing	E20460	5
6	Nut, 1/2" NPT Connector Lock	E20461	5
7	Plug, AS050 Oiltite	024685	1
8	Cord Grip, 1" NPT Black Heyco	069861	1
9	Ring, 1" Sealing	053735	1
10	Nut, 5/16-18 Hex Jam	F05010-173	4
11	Bracket, Industrial Mill Operator Junction Mount	069947	1
12	Bolt, 5/16-18 x 1" Hex Head	F05006-1	4
13	Insert, Industrial Mill Junction	069922	1
14	Terminal Block, 2 Tier 2.5mm Clamp	068119	24
15	Terminal Block, 4Pos 1.5mm GND Clamp	068104	1
16	Terminal Block, 4Pos 1.5mm End Plate	068105	4

17	Terminal Block, 4 Pos 2.5mm Com Clamp	068103	3	
	Din Clamp, Screwless	051986	2	
	Terminal Block, 10Pos Jumper 2.5mm	068113	1	
	Cable Assembly, Industrial Mill Operator Junction	078657 ¹	1	
	Din Rail, 35mm x 7.5mm x 1m Steel Sym	024474	1	

¹ Replaced 069964 Cable Assembly, Industrial Mill Operator Junction (Rev. B2.00).

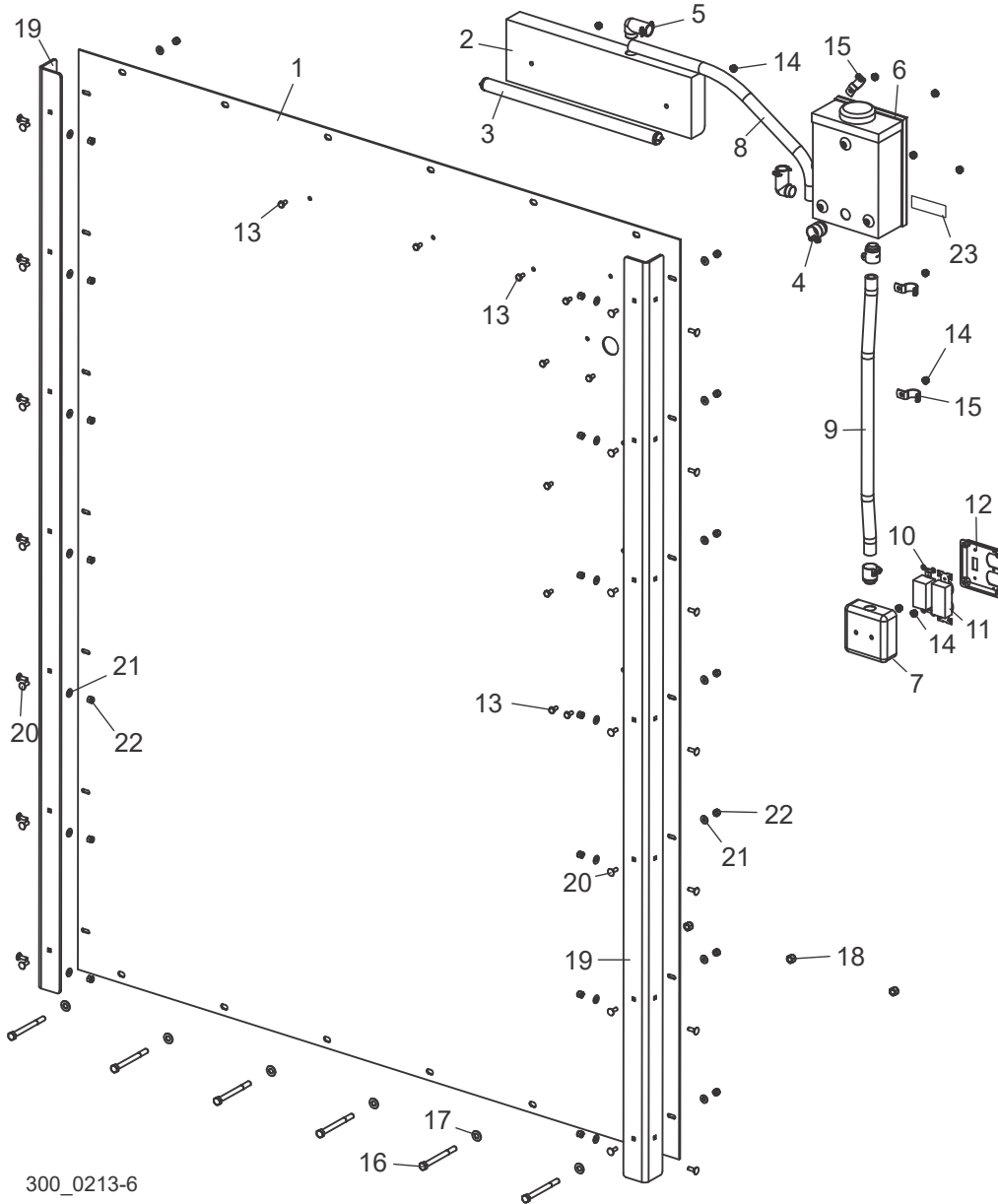
10.5 Cab



300_0213-5

REF	DESCRIPTION (◆ Indicates Parts Available In Assemblies Only)	PART #	QTY.
	CAB ASSEMBLY, OPERATOR	058169	1
1	Rear Panel Parts (See Section 10.6)		
2	Right Panel Parts (See Section 10.7)		
3	Front & Left Panel Parts (See Section 10.8)		
4	Roof Parts (See Section 10.9)		
5	DECAL, 40" BLACK WOOD-MIZER LOGO	076274	1
	DECAL, WM4500 RIGHT DOOR (WM4500 ONLY)	110725	1
	DECAL, WM4500 LEFT DOOR (WM4500 ONLY)	110726	1

10.6 Rear Panel



300_0213-6

REF	DESCRIPTION (◆ Indicates Parts Available In Assemblies Only)	PART #	QTY.
	PANEL ASSEMBLY, 2013 REAR	058175	1
1	Panel, 2013 Rear	058176	1
2	Fixture, Flourescent Uncer-Cabinet Light	042590	1
3	Bulb, 15 Watt Flourescent	016876	1
4	Clamp, 1/2" Flex Conduit	042595	3
5	Clamp, 1/2" 90° Flex Conduit	017801	2

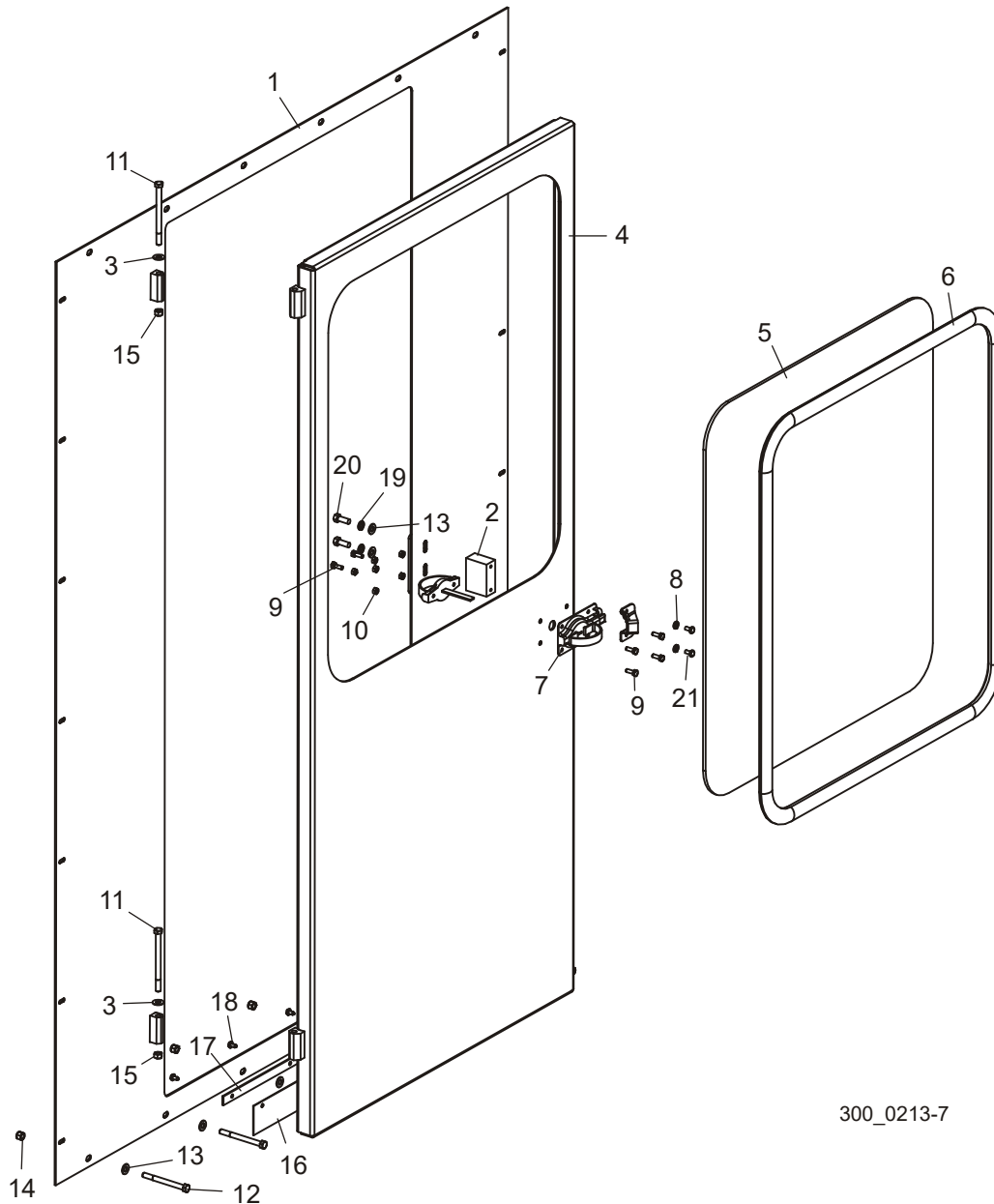
10

Operator Station

Rear Panel

6	Disconnect Switch, 30A Nema 1 Safety	069553	1	
7	Box, 4" Electrical Utility	042591	1	
8	Conduit, 1/2" x 21" Steel Flex	042597	1	
9	Conduit, 1/2" x 25" Steel Flex	042596	1	
10	Switch, 120VAC 20 Amp Single Pole	042592	1	
11	Receptacle, 120VAC 20 Amp Duplex	042593	1	
12	Cover, Stainless Steel Switch/Plug	042594	1	
13	Bolt, 1/4-20 x 1/2" Hex Head	F05005-15	9	
14	Nut, 1/4-20 Self-Locking Hex	F05010-9	9	
15	Clamp, 3/4" EMT	P04851	3	
16	Bolt, 3/8-16 x 4" Hex Head Grade 5	F05007-126	6	
17	Washer, 3/8" SAE Flat	F05011-3	6	
18	Nut, 3/8-16 Hex Nylon Lock	F05010-10	6	
19	ANGLE, CORNER SUPPORT	058917	2	
20	BOLT, 1/4-20 X 3/4" CARRIAGE	F05005-113	28	
21	WASHER, 1/4" SAE FLAT	F05011-11	28	
22	NUT, 1/4-20 NYLOCK	F05010-69	28	
23	DECAL, CAB VOLTAGE	042676	1	

10.7 Right Panel



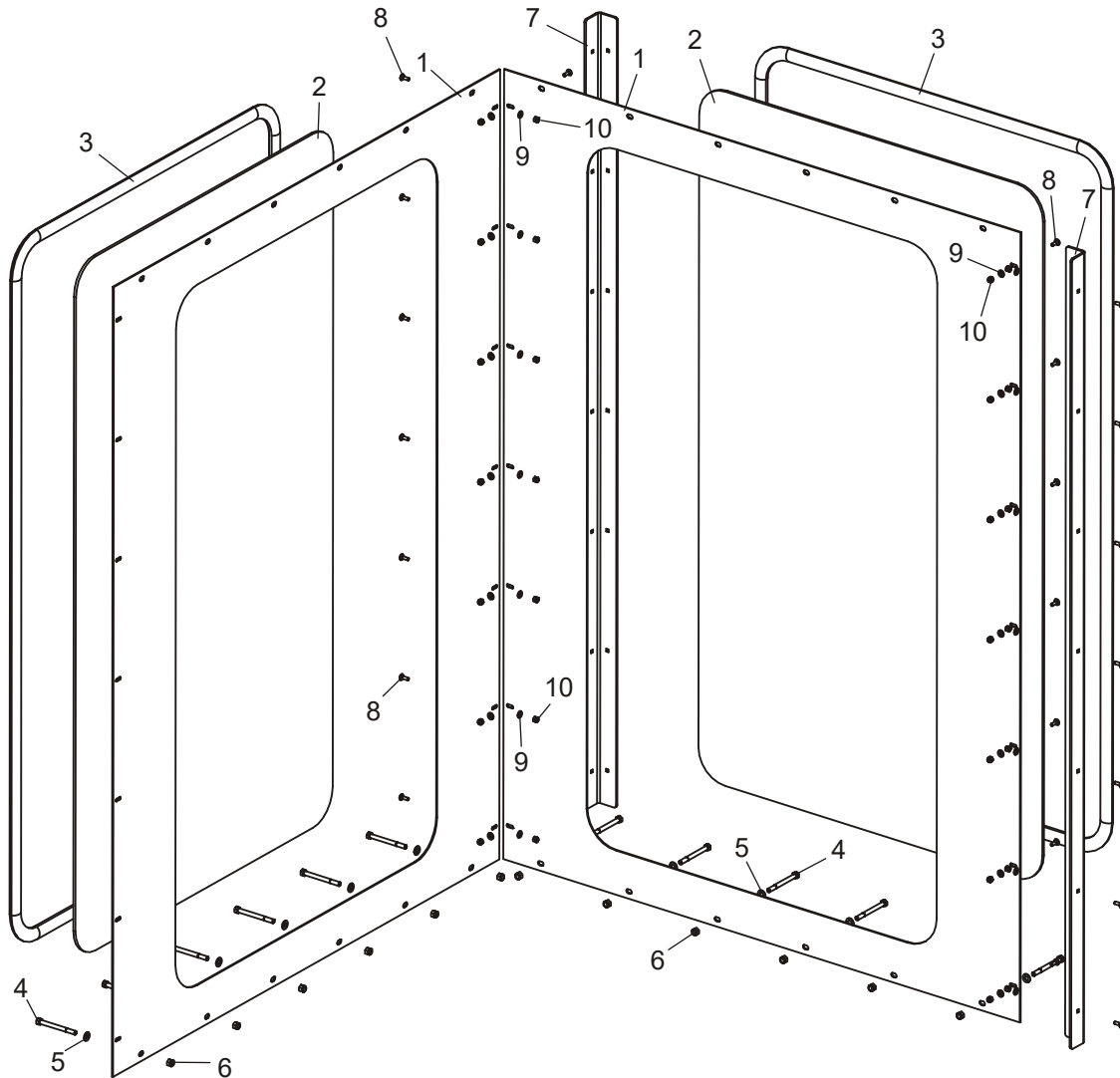
300_0213-7

REF	DESCRIPTION (◆ Indicates Parts Available In Assemblies Only)	PART #	QTY.
	PANEL ASSEMBLY, DOOR	058166	1
1	Panel Weldment, Door	058167	1
2	Block, Latch Mount	042634	1
3	Washer, Door Hinge	042578	1
4	Door Weldment, Cab	042632	1

10**Operator Station**
Right Panel

5	Window, Cab Door	042576	1	
6	Seal, Cab Door Window	042575	1	
7	Latch, Door	042587	1	
8	Washer, 1/4" Split Lock	F05011-14	2	
9	Bolt, 1/4-20 x 3/4" Hex Head Full Thread	F05005-1	6	
10	Nut, 1/4-20 Hex Lock	F05010-21	6	
11	Bolt, 3/8-16 x 5" Hex Head Grade 5	F05007-86	2	
12	Bolt, 3/8-16 x 4" Hex Head Grade 5	F05007-126	4	
13	Washer, 3/8" SAE Flat	F05011-3	4	
14	Nut, 3/8-16 Hex Nylon Lock	F05010-10	4	
15	Nut, 3/8-16 Hex Lock	F05010-25	2	
16	Flap, Rubber Door	042638	1	
17	Plate, Rubber Door Flap	042637	1	
18	Screw, 1/4-20 x 1/2" Self-Tapping	F05015-1	5	
19	Washer, 3/8" Split Lock	F05011-4	2	
20	Bolt, 3/8-16 x 1" Hex Head	F05007-7	2	
21	Bolt, 1/4-20 x 1/2" Hex Head	F05005-15	2	

10.8 Front Panel



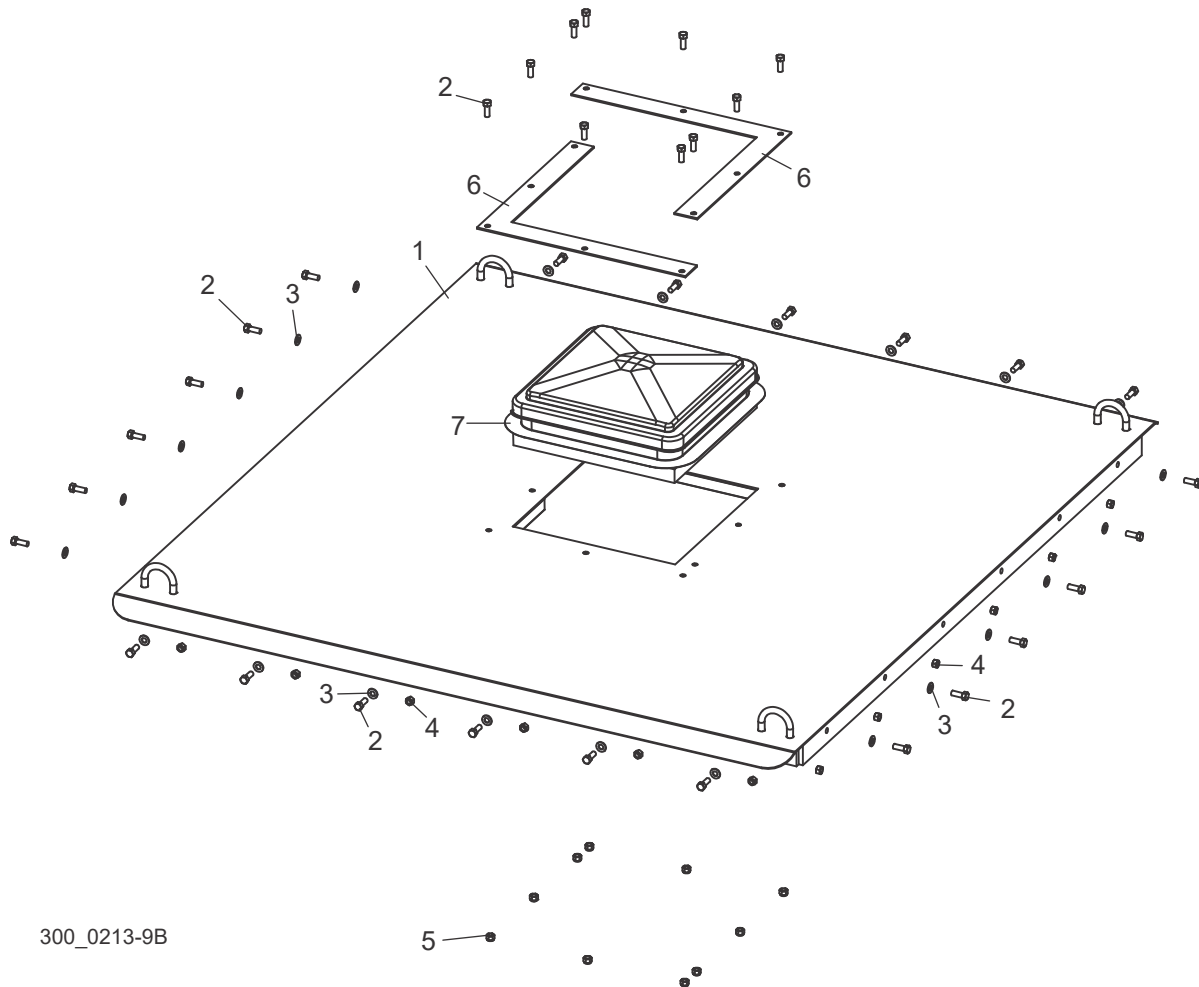
300_0213-8

REF	DESCRIPTION (◆ Indicates Parts Available In Assemblies Only)	PART #	QTY.
	PANEL ASSEMBLY, WINDOW	058177	2
1	Panel, Window	058179	1
2	Window, Cab Front	042631	1
3	Seal, Cab Front Window	042630	1
4	Bolt, 3/8-16 x 4" Hex Head Grade 5	F05007-126	6
5	Washer, 3/8" Flat SAE	F05011-3	6
6	Nut, 3/8-16 Hex Nylon Lock	F05010-10	6
7	ANGLE, CORNER SUPPORT	058917	2
8	BOLT, 1/4-20 X 3/4" CARRIAGE	F05005-113	28

10**Operator Station***Front Panel*

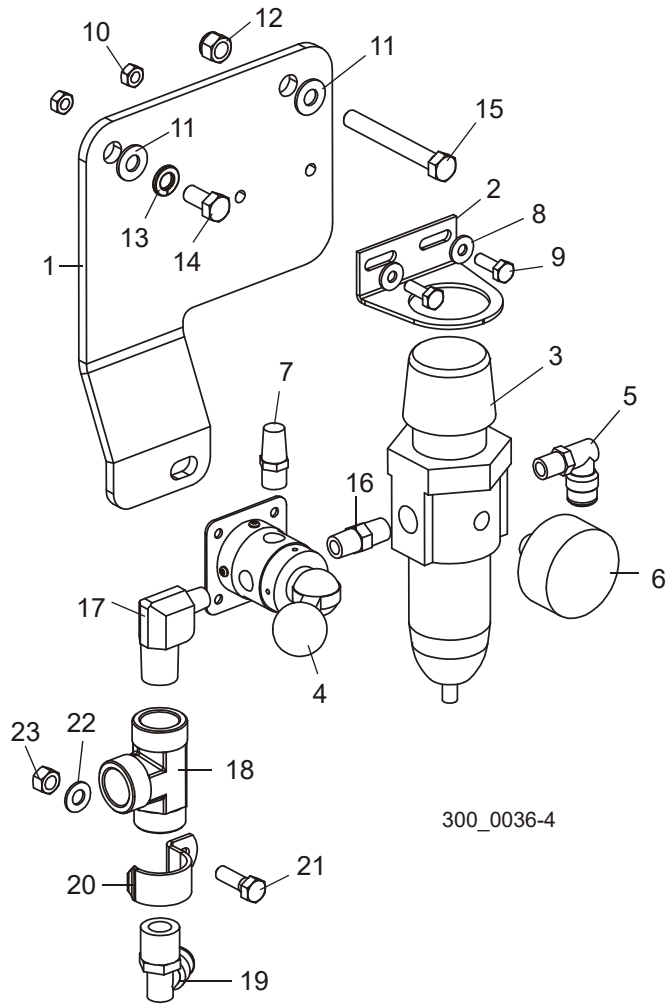
9	WASHER, 1/4" SAE FLAT	F05011-11	28	
10	NUT, 1/4-20 NYLON LOCK	F05010-69	28	

10.9 Roof



REF	DESCRIPTION (◆ Indicates Parts Available In Assemblies Only)	PART #	QTY.
	ROOF ASSEMBLY, LT300 CAB	058182	1
1	Roof Weldment, Cab	058183	1
2	Bolt, 3/8-16 x 1" Hex Head Cap	F05007-7	34
3	Washer, 3/8" Flat SAE	F05011-3	24
4	Nut, 3/8-16 Swaged Lock	F05010-25	24
5	Nut, 3/8-16 Hex Nylon Lock	F05010-10	10
6	Plate, Air Vent	016866	2
7	Vent, Plastic Dome	016867	1

10.10 Air Supply

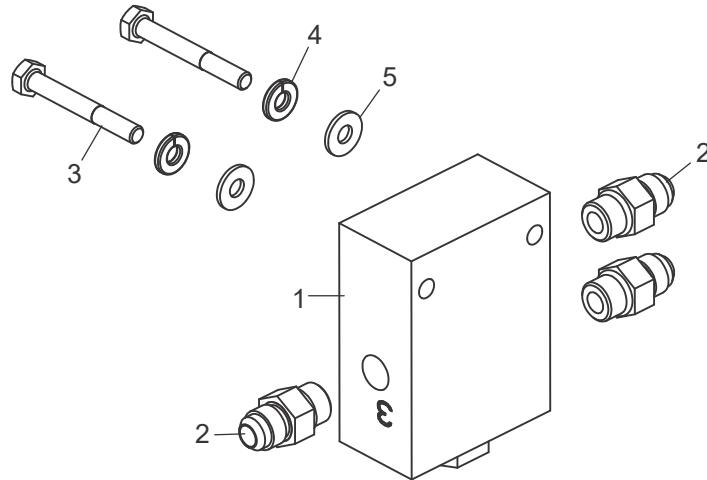


300_0036-4

REF	DESCRIPTION (◆ Indicates Parts Available In Assemblies Only)	PART #	QTY.
	AIR SUPPLY,	016887	1
1	Plate, Air Supply Mount	016888	1
2	Bracket, Air Filter Mount	P21511	1
3	Filter, B11-02 WJC Regulator	P21510	1
4	Valve, 250V3 Air	P21513	1
5	Fitting, 1/4" NPT x 3/8" Air 90° Elbow	P21521	1
6	Gauge, Air Pressure	P21512	1
7	Fitting, 1/4" NPT Air Muffler	P20904	1
8	Washer, 1/4" SAE Flat	F05011-11	2
9	Bolt, 1/4-20 x 3/4" Hex Head Full Thread	F05005-1	2
10	Nut, 1/4-20 Hex Lock	F05010-21	2
11	Washer, 3/8" SAE Flat	F05011-3	2

12	Nut, 3/8-16 Nylon Lock	F05010-10	1	
13	Washer, 3/8" Split Lock	F05011-4	1	
14	Bolt, 3/8-16 x 3/4" Hex Head Grade 5	F05007-118	1	
15	Bolt, 3/8-16 x 3" Hex Head Full Thread	F05007-1	1	
16	Fitting, 1/4" Hex Pipe Nipple	P05389	1	
17	Fitting, 1/2" NPT x 1/4" NPT 90° Elbow	016881	1	
18	Fitting, 1/2" NPT Female Tee	016793	1	
19	Fitting, 1/2" NPT x 1/2" Air 90° Elbow	016880	1	
20	Clamp, 1" EMT	P05436	1	
21	Bolt, 5/16-18 x 1" Hex Head	F05006-1	1	
22	Washer, 5/16" SAE Flat	F05011-17	1	
23	Nut, 5/16-18 Hex Lock	F05010-6	1	

10.11 Turner Down Flow Divider



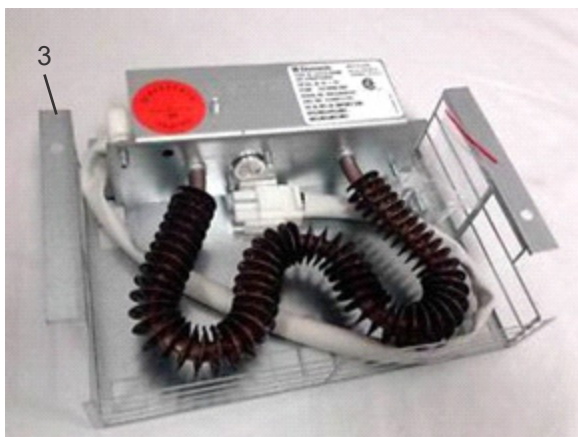
300_0245

REF	DESCRIPTION (◆ Indicates Parts Available In Assemblies Only)	PART #	QTY.
	DIVIDER ASSEMBLY, TURNER DOWN FLOW	074033	1
1	Flow Divider, Hydraulic	025742	1
2	Fitting, 3/8" O-Ring-3/8" JIC	014687	3
3	Bolt, 1/4-20 x 2" Hex Head Grade 5	F05005-125	2
4	Washer, 1/4" SAE Flat	F05011-11	2
5	Washer, 1/4" Split Lock	F05011-14	2

10.12 Air Conditioning/Heat Assembly (Optional)



300_0303



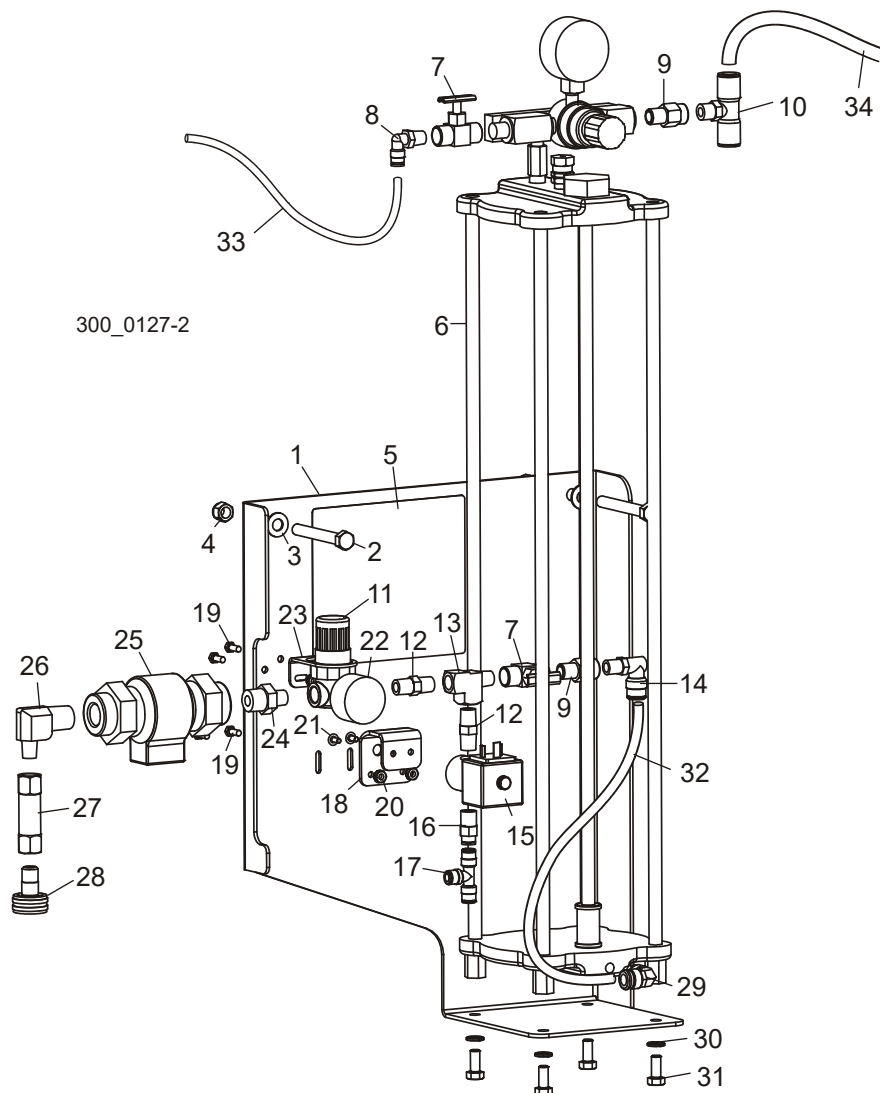
REF	DESCRIPTION (◆ Indicates Parts Available In Assemblies Only)	PART #	QTY.
	AIR CONDITIONING/HEAT ASSEMBLY, CAB (OPTIONAL)	A/C1	1
1	A/C Unit, AC1 (Rev. A4.00)	074118	1
2	Control, A/C1 (Rev. A4.00)	074117	1
	Plug, 13/32 Plastic	014537	10
	Caulk, 10 oz. Tube Clear Silicon	P02616	1
	Clamp, 1/2" Flex Steel Conduit 90 Deg. El	017801	1
	Conduit, 1/2" x 77" Flex Steel	017802	1
	Wire Nut, Yellow	016863	3
	Clamp, 3/4" EMT	P04851	4
	Bolt, 1/4-20 x 1/2" Self Tap Hex Head	F05015-1	4
	Foam, 1/2" x 1" Adhesive Back	R02306	5 ft.
3	Heat Package, A/C1 (Rev. A4.00)	074116	1
4	Drain Kit, A/C1	076000	1

SECTION 11 PRESSURE LUBE OPTION

11.1 Pressure Lube System

WM4000

Rev. A1.00+



REF	DESCRIPTION (◆ Indicates Parts Available In Assemblies Only)	PART #	QTY.
	LUBE SYSTEM, WM4000 OPTIONAL PRESSURE BLADE	074061-A	1
1	Bracket, Pressure Lube Mount	036685	1
2	Bolt, 3/8-16 x 3" Hex Head Full Thread	F05007-1	2
3	Washer, 3/8" SAE Flat	F05011-3	2
4	Nut, 3/8-16 Hex Nylon Lock	F05010-10	2
5	Decal, Pressure Lube Layout	036747	1
6	Reservoir Assembly, Pressure Lube	051434	1

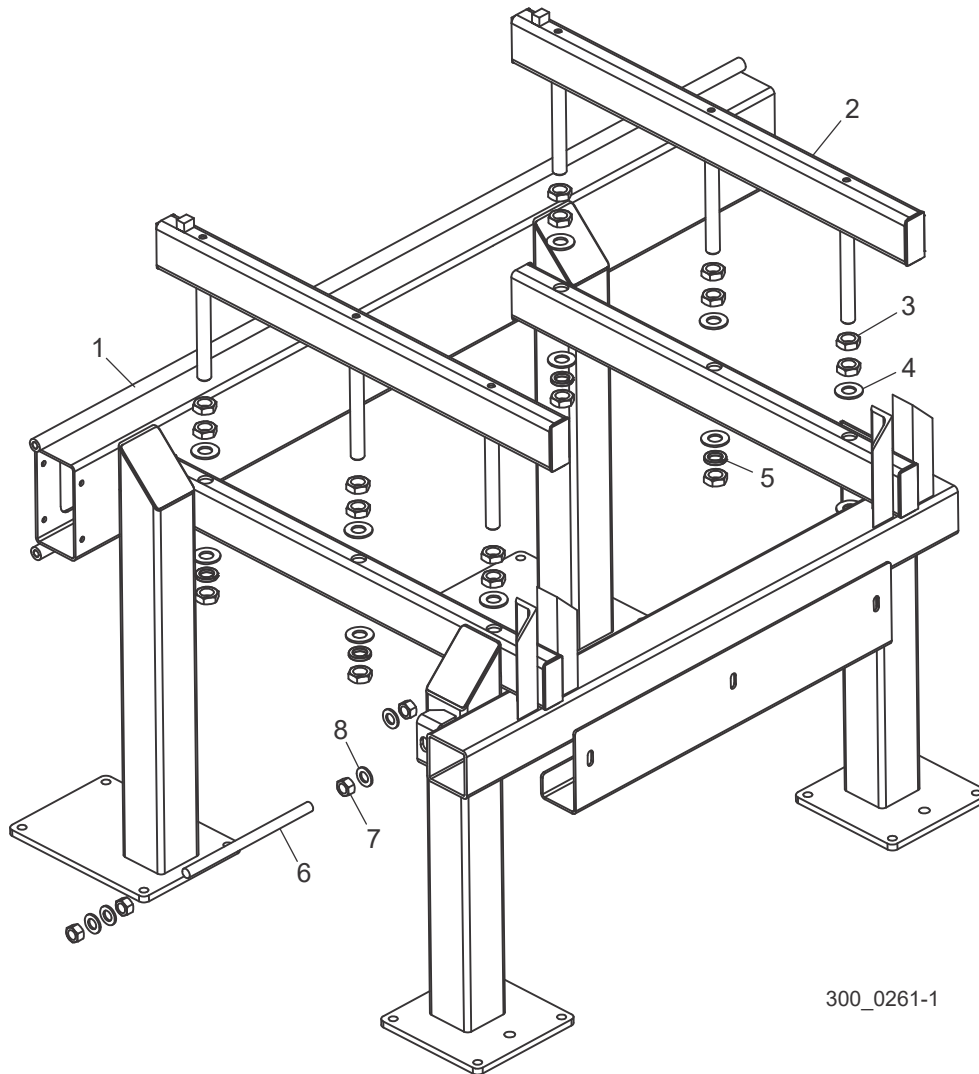
7	Valve, 1/4" NPT Brass Female Needle	051392	2	
8	Fitting, 1/4" NPT x 1/4" Tube 90° Elbow Air	P21519	1	
9	Valve, 1/4" NPT Male-Female Check	051394	2	
10	Fitting, 1/4" NPT x 1/2" Tube Tee	038737	1	
11	Regulator, 1/4" NPT 125 PSI Water	051427	1	
12	Fitting, 1/4" NPT Hex Pipe Nipple	P05389	2	
13	Fitting, 1/4" NPT Female-Male-Female Tee	P05382	1	
14	Fitting, 1/4" NPT x 3/8" Tube 90° Elbow Air	P21521	1	
15	Valve, 1/4" NPT Water NC 2-Way Solenoid	051432	1	
	Cable Assembly, Industrial Mill High Pressure Lube	068215	1	
16	Fitting, 1/4" NPT x 1/4" Tube Straight Air	P20903	1	
17	Fitting, 1/4" Tube Air Tee	P21544	1	
18	Bracket, Solenoid Mount	036688	1	
19	Screw, #10-24 x 1/2" Unslotted Hex Stainless Steel	F05004-27	4	
20	Nut, #10-24 Self-Locking Hex	F05010-14	4	
21	Screw, #8-32 x 3/8" Round Head Grade 5	F05004-157	2	
22	Gauge, 160 PSI	P02766	1	
23	Bracket, Regulator Mount	051429	1	
24	Fitting, 1/2" NPT x 1/4" NPT Hex Nipple	038484	1	
25	Valve, 1/2" NPT Vacuum Break Dual Check	038483	1	
26	Fitting, 1/2" NPT x 1/4" NPT 90° Elbow	016881	1	
27	Strainer, 1/4" NPT 100 Mesh Inline	051882	1	
28	Fitting, 1/4" NPT x Female Water Hose	051433	1	
29	Fitting, 1/8" NPT x 3/8" Tube 90° Elbow	P21552	1	
30	Washer, 5/16" Split Lock	F05011-13	4	
31	Bolt, 5/16-24 x 3/4" Hex Head Grade 5 Full Thread	F05006-105	4	
32	Tubing, 3/8" Chainflex Air	R01869-4	5 ft.	
33	Tubing, 1/4" Chainflex Air	R01869-3	2.58 ft.	
34	Tubing, 1/2" Chainflex Air	R01869-5	3 ft.	

12

Bed Extension Bed Extension Complete (BX6)

SECTION 12 BED EXTENSION OPTION

12.1 Bed Extension Complete (BX6)



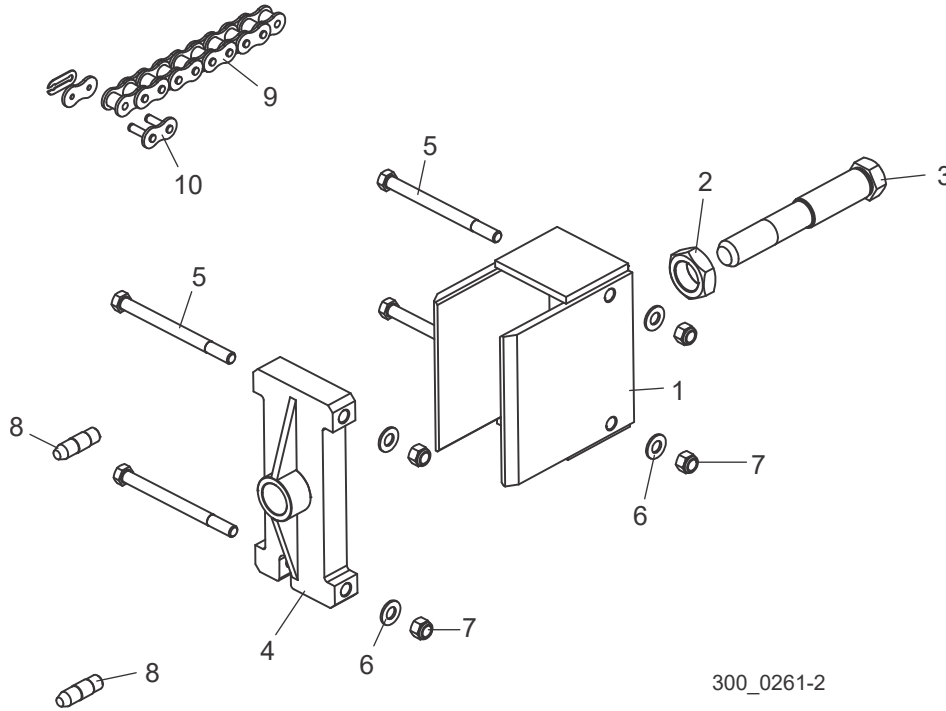
REF	DESCRIPTION (◆ Indicates Parts Available In Assemblies Only)	PART #	QTY.
	BED EXTENSION, WM4000 6-FOOT	BX6-4000	1
1	Frame Weldment, WM4000 BX6	071367	1
	Rail Assembly, Bed	065981	1
2	Rail Weldment, Bed	062626	1
3	Nut, 1-8 Hex Jam	F05010-188	9
4	Washer, 1" ID SAE Flat	F05011-28	6
5	Washer, 1" Split Lock	F05011-53	3
6	Rod, Foot Threaded	051357	1

7	Nut, 3/4-16 Hex	F05010-92	4	
8	Washer, 3/4" SAE Flat	F05011-62	4	
	Box Assembly, WM4000 BX6 Installation (See Section 12.2)	074088	1	
	Decal, Revision	016187	1	
	Overlayment, Revision Decal	016200	1	

12

Bed Extension Connection Hardware (BX6)

12.2 Connection Hardware (BX6)



300_0261-2

REF	DESCRIPTION (◆ Indicates Parts Available In Assemblies Only)	PART #	QTY.
	BOX ASSEMBLY, WM4000 BX6 INSTALLATION	074088	1
	Box Assembly, BedX Connection	017700	1
1	Box Weldment, BedX Connection	017695	1
2	Nut, 1-14 Left Hand Hex Jam	F05010-172	1
3	Screw, BedX Connection	017690	1
4	Plate Weldment, BedX Connection	017699	1
5	Bolt, 3/8-16 x 4 3/4" Hex Head Grade 5	F05007-109	4
6	Washer, 3/8" SAE Flat	F05011-13	4
7	Nut, 3/8-16 Hex Nylon Lock	F05010-10	4
8	Pin, BedX Connecting	017689	2
9	Chain, #60 x 70 1/2"	017840	1
10	Link, #60 Master	042398	1
	Hose Extension Kit, WM4000 BX6	074087 ¹	1
	Hose, 3/8" Hydraulic w/Fittings CS 72" Long	074184	11
	Hose, 1/4" Hydraulic w/Fittings CS 72" Long	074191	6
	Hose, 1/2" Hydraulic w/Fittings CS 72" Long	074192	8
	Union, 1/4"TB-1/4"TB JIC Small Hex	016539	6
	Union, 3/8"TB-3/8"TB JIC Small Hex	016540	11
	Union, 1/2"TB-1/2"TB JIC Small Hex	074089	8
	Bolt, 1/2" x 5-1/2" Concrete Wedge Anchor	F05008-131	16
	Shim Kit, WM4000 BX6	074090	1

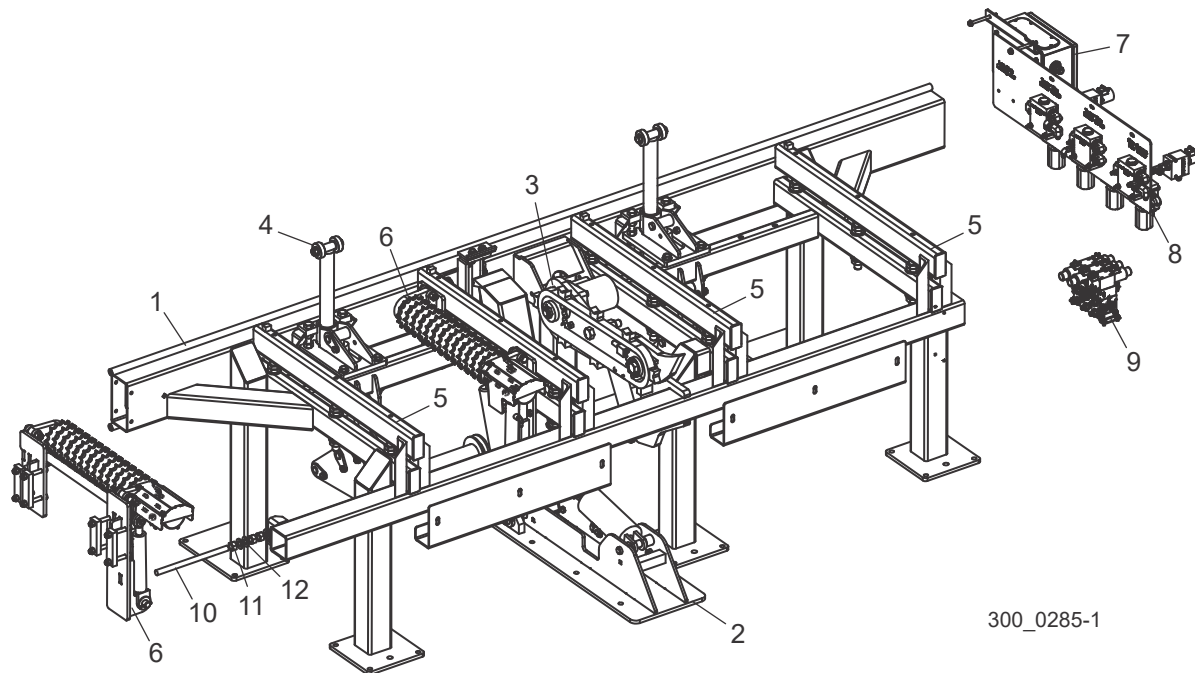
	Plate, WM4000 14GA Shim	074032-14	2	
	Plate, WM4000 11GA Shim	074032-11	2	
	Plate, WM4000 7GA Shim	074032-7	4	
	Plate, WM4000 1/4" Shim	074032-25	4	

¹ Updated (2) hoses and fittings for conveyor drive motor from 3/8" to 1/2" (BX6-4000 Rev. A1.01).

12

Bed Extension Bed Extension Complete (BX12)

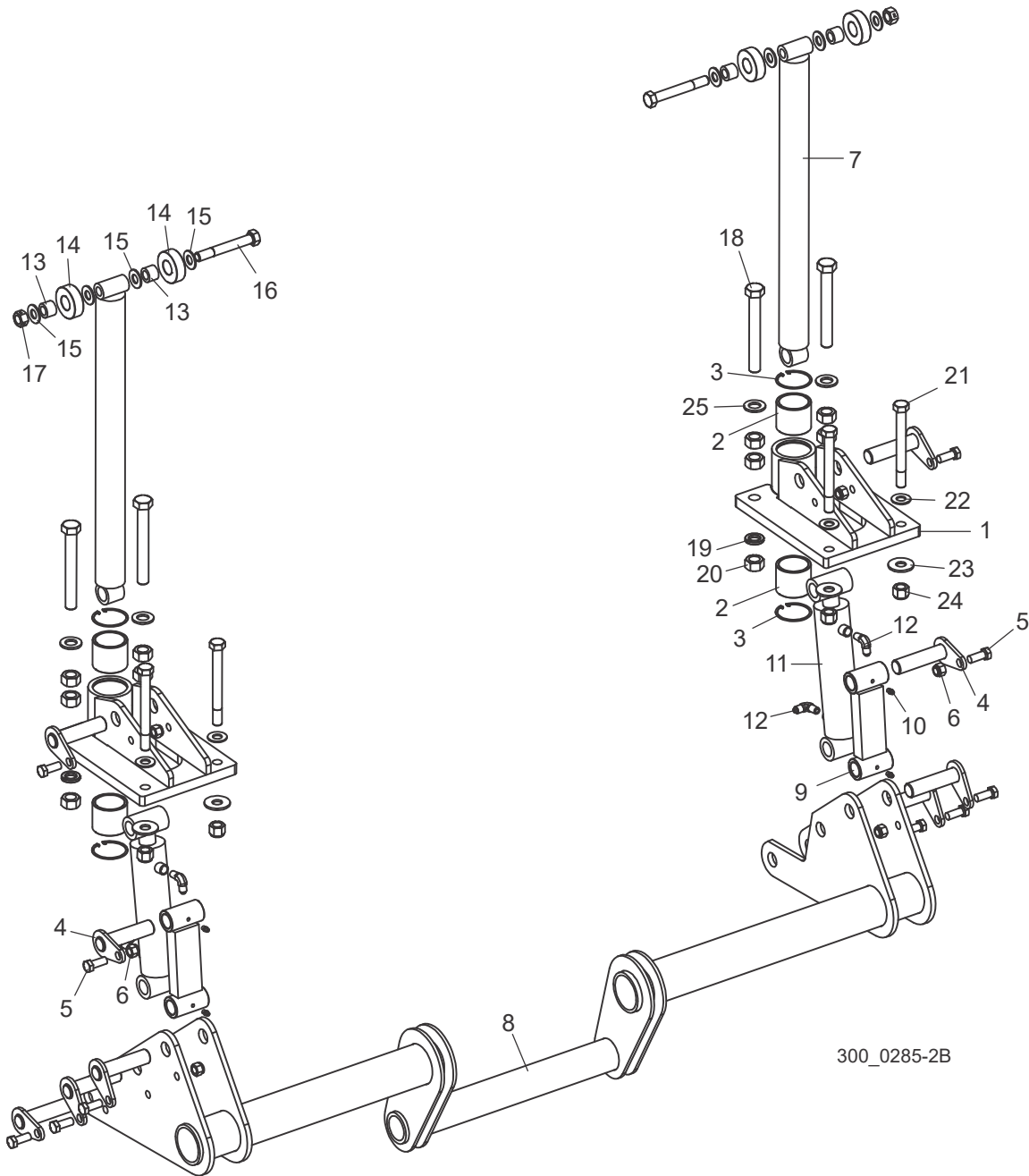
12.3 Bed Extension Complete (BX12)



300_0285-1

REF	DESCRIPTION (◆ Indicates Parts Available In Assemblies Only)	PART #	QTY.
	BED EXTENSION, WM4000 12-FOOT	BX12-4000	1
1	Frame Weldment, WM4000 BX12	075112	1
2	Floor Mount Hydraulic Log Clamp Assembly (See Section 8.3)	062748	1
3	2-point Chain Hydraulic Log Turner Assembly (See Section 8.2)	074028	1
4	BX12 Side Support Assembly (See Section 12.4)	075116	1
5	Rail Assembly, Bed (See Section 7.4)	065981	4
6	BX12 Power Taper Set Roller (See Section 12.5)	PTSR-BX12-4000	1
7	BX Control Box Assembly (See Section 12.6)	068279	1
8	BX Valve Assembly (See Section 12.7)	074291	1
9	BX Directional Valve Assembly (See Section 12.8)	074292	1
10	Rod, Foot Threaded	051357	1
11	Nut, 3/4-16 Hex	F05010-92	4
12	Washer, 3/4" SAE Flat	F05011-62	4
	Decal, Revision	016187	1
	Overlayment, Revision Decal	016200	1

12.4 Hydraulic Side Supports (BX12)



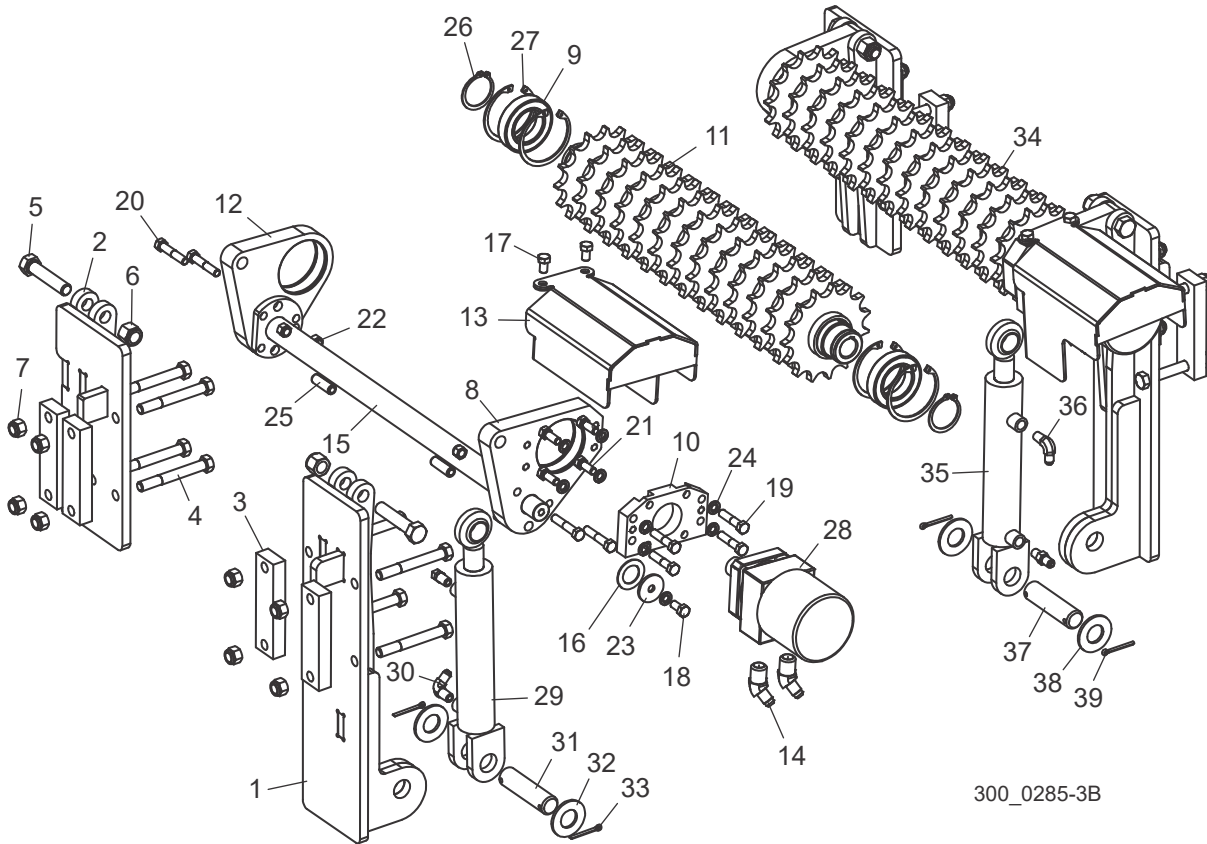
REF	DESCRIPTION (◆ Indicates Parts Available In Assemblies Only)	PART #	QTY.
	SUPPORT ASSEMBLY, WM4000 BX12 HYDRAULIC LOG SIDE	075116	1
1	Bracket Weldment, Side Support Mount	042233	2
2	Bushing, Side Support	042262	4
3	Ring, 62mm DIN #472 Inside Retaining	F04254-12	4
4	Pin Weldment, Side Support	042232	10

12

Bed Extension Hydraulic Side Supports (BX12)

5	Bolt, 1/2-13 x 1 1/4" Hex Head Grade 5	F05008-37	10	
6	Nut, 1/2-13 Hex Nylon Lock	F05010-8	10	
7	Rod Weldment, Side Support	042234	2	
8	Tube Weldment, WM4000 BX12 Side Support Torque	075117	1	
9	Link Weldment, Side Support	042230	2	
10	Fitting, 1/4-28 Grease	P05060	4	
11	Cylinder, 2" x 6" Side Support	035625	2	
	Seal Kit, 2x6 Hydraulic Cylinder	003812	1	
12	Fitting, 3/8" JIC x 1/4" NPT 90° Elbow	015491	4	
	Roller Assembly, Side Support	035629	2	
13	Roller, Side Support	016561	2	
14	Bushing, 5/8" ID x 3/4" OD x 1" Long Bronze	016560	2	
15	Washer, 5/8" SAE Flat	F05011-5	4	
16	Bolt, 5/8-11 x 4 1/2" Hex Head Grade 5	F05009-10	1	
17	Nut, 5/8-11 Hex Lock	F05010-4	1	
18	Bolt, 3/4-10 x 6" Hex Head Full Thread	F05009-43	4	
19	Washer, 3/4" Split Lock	F05011-6	4	
20	Nut, 3/4-10 Hex	F05010-7	12	
21	Bolt, 5/8-11 x 6" Hex Head Grade 5	F05009-22	4	
22	Washer, 5/8" SAE Flat	F05011-5	4	
23	Washer, 5/8" Standard Flat	F05011-40	4	
24	Nut, 5/8-11 Hex Nylon Lock	F05010-34	4	
25	Washer, 3/4" SAE Flat	F05011-62	4	

12.5 Power Taper Set Roller Assembly (BX12)



REF	DESCRIPTION (◆ Indicates Parts Available In Assemblies Only)	PART #	QTY.
	ROLLER ASSEMBLY, WM4000 BX12 POWER TAPER SET	PTSR-BX12-4000	1
	Board Assembly, Bed-X Roller Toe	066920	1
1	Mount Weldment, Rear Toeboard Cylinder	066881	1
2	Mount Weldment, Bed-X Toeboard	066919	1
3	Block, Toe Board Mount	066892	4
4	Bolt, 1/2-13 x 4" Hex Head Grade 5	F05008-78	8
5	Bolt, 5/8-11 x 3" Hex Head Grade 5	F05009-37	2
6	Nut, 5/8-11 Nylon Lock	F05010-34	2
7	Nut, 1/2-13 Nylon Hex Lock	F05010-8	8
	Roller Assembly, Rear Toe Board	066888	1
8	Plate, Toe Board Main Drive	066889	1
9	Bearing, 45mm x 75mm x 16mm Sealed	066900	2
10	Plate, Toe Board Motor Mount	066901	1
11	Roller Weldment, Toeboard	066902	1
12	Plate, Toe Board End	066905	1
13	Guard Weldment, Rear Motor	066908	1
14	Fitting, 3/8JIC x 1/2 NPT Male 45 Deg	066912	2

12

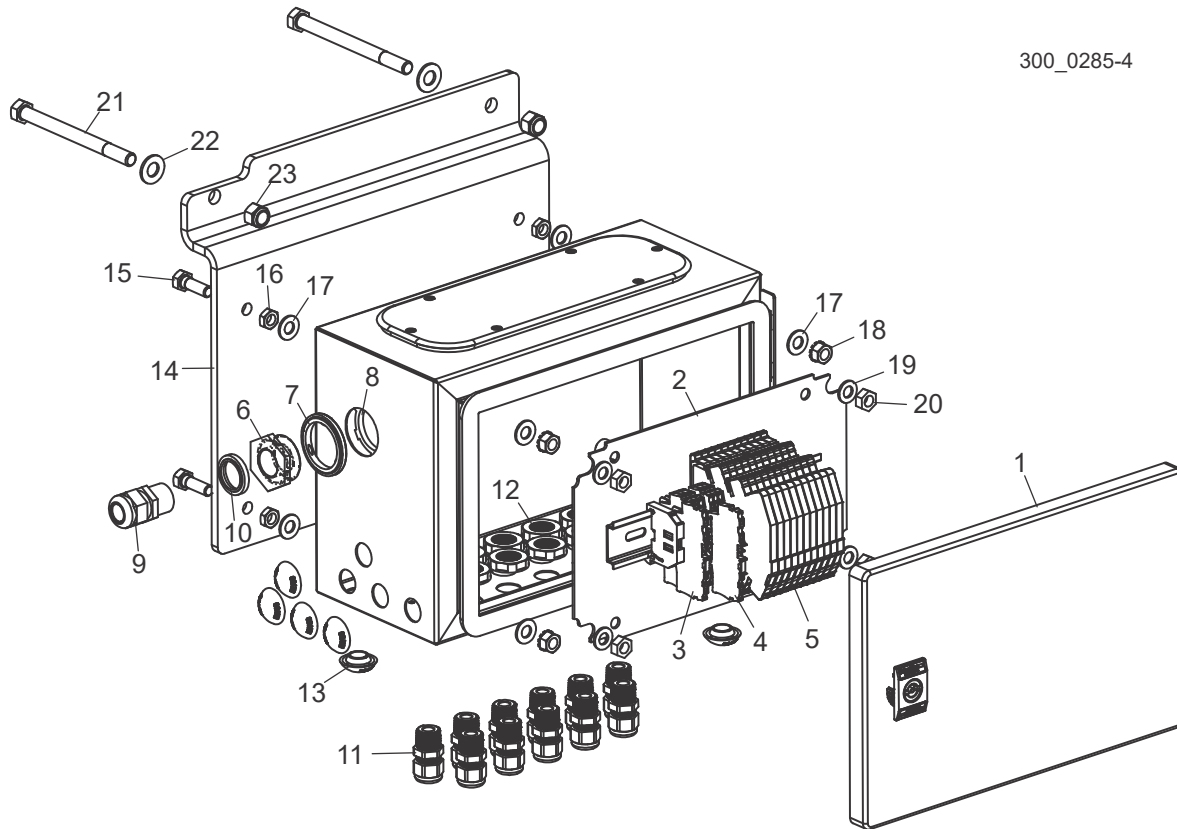
Bed Extension

Power Taper Set Roller Assembly (BX12)

15	Arm Weldment, Toe Board Link	066918	1	
16	Plate, 1.01 x 1.63x.06 Spacer	074280	1	
17	Bolt, 3/8-16 x 5/8" Hex Head Grade 5	F05007-148	2	
18	Bolt, 3/8-16 x 3/4" Hex Head Grade 5	F05007-118	1	
19	Bolt, 3/8-16 x 1 3/4" Hex Head Grade 5	F05007-119	4	
20	Bolt, 3/8-16 x 2" Hex Head Grade 8	F05007-223	4	
21	Bolt, 3/8-16 x 1" Hex Head Grade 5	F05007-87	4	
22	Nut, 3/8-16 Hex Nylon Lock	F05010-10	4	
23	Washer, 3/8 x1-1/2 x 1/8 Thick Hardened	F05011-104	1	
24	Washer, 3/8" Split Lock	F05011-4	9	
25	Pin, 1/2" x 1 1/2" Roll	F05012-150	2	
26	Ring, 45mm External Retaining	F81090-32	2	
27	Ring, 75mm Internal Retaining	F81090-41	4	
28	Motor, Hydraulic, TB0130FP130AAAA	074281	1	
	Seal Kit, Hydraulic Motor	061136	1	
	Cylinder Assembly, Bed-X Toeboard Hydraulic	074282	1	
29	Cylinder, 1 1/2 x 6 Rod End In Line Ports	014482	1	
30	Fitting, 1/4" NPT x 1/4" JIC Male Elbow	P09142	2	
31	Pin, 1" x 3.88"	S09251	1	
32	Washer, 1" ID SAE Flat	F05011-28	2	
33	Pin, 3/16" x 1 1/2" Cotter	F05012-23	2	
34	Board Assembly, Front Roller Toe (See Section 8.12)	066890	1	
	Cylinder Assembly, Toe Board Hydraulic	066893	1	
35	Cylinder, 1 1/2 x 6 Rod End In Line Ports	014482	1	
36	Fitting, 1/4" NPT x 1/4" JIC Male Elbow	P09142	2	
37	Pin, 1" x 3.88"	S09251	1	
38	Washer, 1" ID SAE Flat	F05011-28	2	
39	Pin, 3/16" x 1 1/2" Cotter	F05012-23	2	
	Fitting, 3/8" JIC Cap	016816	4	
	Fitting, 1/2" JIC Cap	P26341	4	

12.6 Bed-X Control Assembly (BX12)

300_0285-4



REF	DESCRIPTION (◆ Indicates Parts Available In Assemblies Only)	PART #	QTY.
	CONTROL ASSEMBLY, INDUSTRIAL MILL HYDRAULIC BX CONTROL	068279	1
	Control Assembly, Industrial Mill Hydraulic BX Junction	068232	1
1	Enclosure, Ind. Mill Hydraulic Junction	069918	1
2	Insert, Ind. Mill Junction	069922	1
3	Terminal Block, 4Pos 1.5mm GND Clamp	068104	4
4	Terminal Block, 4Pos 1.5mm Com Clamp	068103	4
5	Relay, Solid State 2A 24VDC Coil w/Base	068212	11
6	Connector, 1"-1/2" Reducer Female	053733	1
7	Ring, 1" Sealing	053734	1
8	Nut, 1" NPT Connector Lock Sealing	053735	1
9	Connector, 1/2" NPT .17-.47	051299	1
10	Ring, 1/2 Sealing	E20460	1
11	Connector, 3/8" NPT 0.181-0.312	069864	11
12	Nut, 3/8" NPT Nylon Lock	069865	11
13	Plug, 1/2" Hole Heyco 3830	068210	6
	Cable Assembly, Ind. Mill Hyd. Bed Ex	068247	1
	Cable Assembly, Ind. Mill Dump BX Trn FR Div	068248	1
	Cable Assembly, Ind. Mill Dump BX Trn FR Blk	068249	1

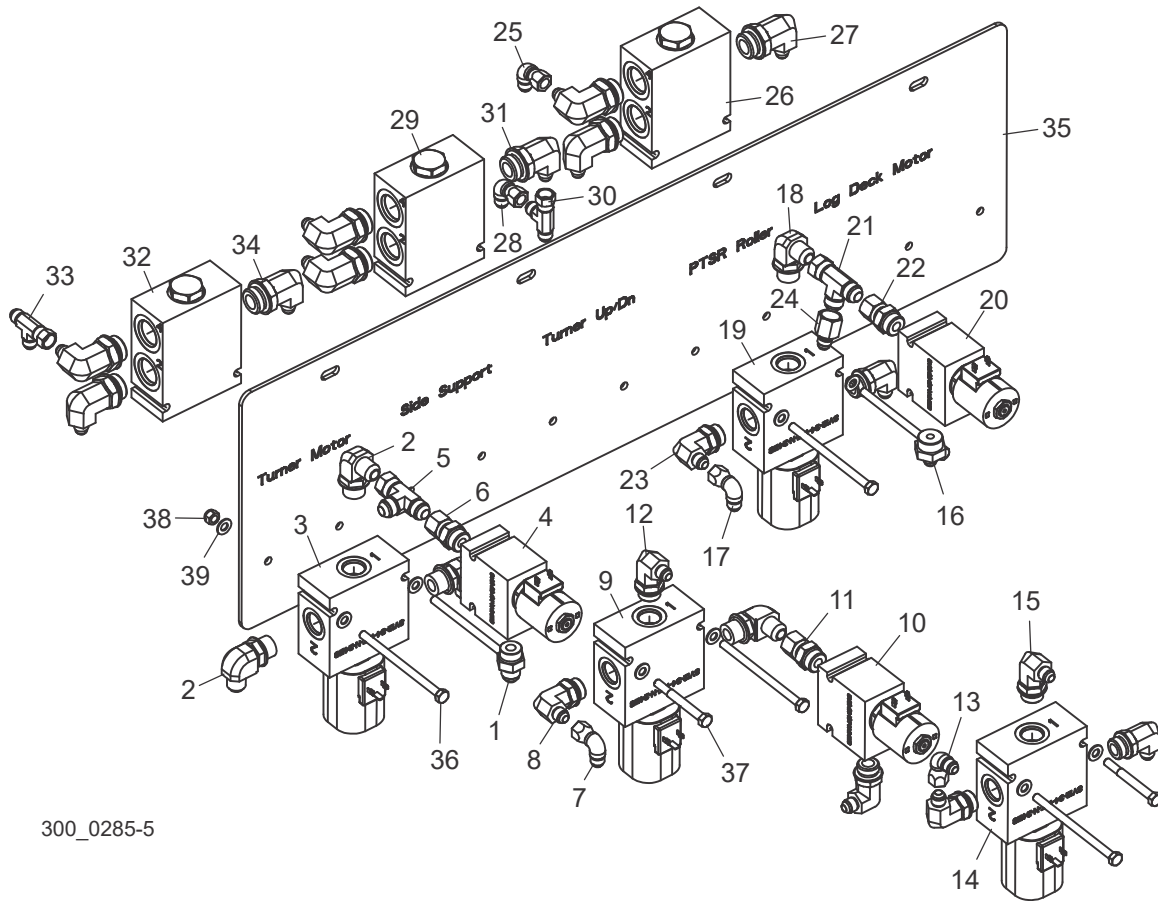
12

Bed Extension

Bed-X Control Assembly (BX12)

	Cable Assembly, Ind. Mill Dump BX SS UD Div	068274	1	
	Cable Assembly, Ind. Mill Dump BX SS UD Blk	068275	1	
	Cable Assembly, Ind. Mill Dump BX Trn UD Div	068276	1	
	Cable Assembly, Ind. Mill Dump BX PT FR Div	068277	1	
	Cable Assembly, Ind. Mill Dump BX LD UD Div	068278	1	
	Cable Assembly, Ind. Mill Dump BX LD UD Div	068280	1	
	Cable Assembly, Ind. Mill Dump BX LD UD Blk	068288	1	
	Cable Assembly, Ind. Mill Dump BX LD FR Div	068289	1	
	Cable Assembly, Ind. Mill BX LD FD Blk	068290	1	
	Cable Assembly, Ind. Mill BedX Toe Brd U/D	068291	1	
	Cable Assembly, Ind. Mill BedX Clamp In/Out	068292	1	
	Cable Assembly, Ind. Mill BedX Clamp U/D	068293	1	
14	Plate, WM4000 BX12 Control Mount	074348	1	
15	Bolt, 5/16-18 x 1" Hex Head	F05006-1	4	
16	Nut, 5/16-18 Hex Jam	F05010-173	4	
17	Washer, 5/16" SAE Flat	F05011-17	8	
18	Nut, 5/16-18 Keps	F05010-20	4	
19	Washer, M8 Flat	F05011-131	4	
20	Nut, M8-1.25 Free Zinc Plate	F05010-162	4	
21	BOLT, 3/8-16 X 4 1/2" HEX HEAD	F05007-35	2	
22	WASHER, 3/8" FLAT SAE	F05011-3	2	
23	NUT, 3/8-16 HEX NYLOC	F05010-10	2	

12.7 Bed-X Valve Assembly (BX12)



300_0285-5

REF	DESCRIPTION (◆ Indicates Parts Available In Assemblies Only)	PART #	QTY.
	VALVE ASSEMBLY, WM4000 HYDRAULIC BED-X	074291	1
	Valve Assembly, Bed-X Turner Motor	074337	1
1	Fitting, #10 SAE-#8 JIC	025963	1
2	Fitting, #10SAE-1/2JIC 90 Elbow	042784	3
3	Valve, 3-Way Selector	074286	1
4	Valve, 2-Way Normally Closed Blocking	074287	1
5	Fitting, 8JIC Swivel Nut Run Tee	074300	1
6	Fitting, 10SAE-8JIC Swivel Nut	074301	1
	Fitting, 1/2JIC Cap	P26341	4
	Valve Assembly, Bed-X Side Support	074338	1
7	Fitting, 3/8JIC Swivel Nut 90 Elbow	042756	1
8	Fitting, #10SAE-1/2JIC 90 Elbow	042784	1
9	Valve, 3-Way Selector	074286	1
10	Valve, 2-Way Normally Closed Blocking	074287	1
11	Fitting, 10SAE-8JIC Swivel Nut	074301	1
12	Fitting, 10SAE-6JIC 90° Elbow	074303	3

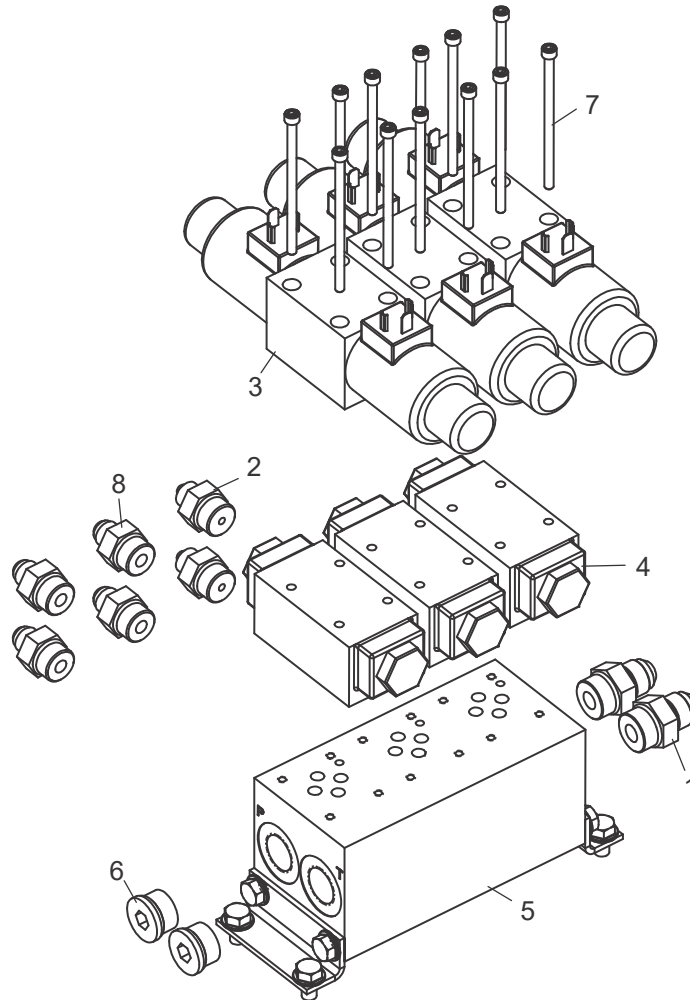
12

Bed Extension

Bed-X Valve Assembly (BX12)

	Fitting, 3/8JIC Cap	016816	3	
	Valve Assembly, Bed-X Turner Up/Down	074339	1	
13	Fitting, 3/8JIC Swivel Nut 90 Elbow	042756	1	
14	Valve, 3-Way Selector	074286	1	
15	Fitting, 10SAE-6JIC 90° Elbow	074303	3	
	Fitting, 3/8JIC Cap	016816	3	
	Valve Assembly, Bed-X PTSR Roller	074340	1	
16	Fitting, #10SAE-3/8JIC Straight	017640	1	
17	Fitting, 3/8JIC Swivel Nut 90 Elbow	042756	1	
18	Fitting, #10SAE-1/2JIC 90 Elbow	042784	1	
19	Valve, 3-Way Selector	074286	1	
20	Valve, 2-Way Normally Closed Blocking	074287	1	
21	Fitting, 8JIC Swivel Nut Run Tee	074300	1	
22	Fitting, 10SAE-8JIC Swivel Nut	074301	1	
23	Fitting, 10SAE-6JIC 90° Elbow	074303	2	
24	Fitting, 8JIC Female - 6JIC Male Reducer	074311	1	
	Fitting, 3/8JIC Cap	016816	4	
	Divider Assembly, Bed-X Turner 66/33 Flow	074341	1	
25	Fitting, 3/8JIC Swivel Nut 90 Elbow	042756	1	
26	Valve, 66/33 Flow Divider/Combiner	074290	1	
27	Fitting, 12SAE-6JIC 90° Elbow	074315	3	
	Fitting, 3/8JIC Cap	016816	3	
	Divider Assembly, Bed-X Turner 50/50 Flow	074342	1	
28	Fitting, 3/8JIC Swivel Nut 90 Elbow	042756	1	
29	Valve, 50/50 Flow Divider/Combiner	074289	1	
30	Fitting, 6JIC Swivel Nut Run Tee	074312	1	
31	Fitting, 12SAE-6JIC 90° Elbow	074315	3	
	Fitting, 3/8JIC Cap	016816	4	
	Divider Assembly, Bed-X Side Support Flow	074343	1	
32	Valve, 50/50 Flow Divider/Combiner	074289	1	
33	Fitting, 6JIC Swivel Nut Run Tee	074312	1	
34	Fitting, 12SAE-6JIC 90° Elbow	074315	3	
	Fitting, 3/8JIC Cap	016816	4	
35	Plate, WM4000 BX12 Valve Mount	075164	1	
36	Bolt, 5/16-18 x 5" Hex Head Grade 8	F05006-52	6	
37	Bolt, 5/16-18 x 3" Hex Head Grade 5	F05006-62	2	
38	Nut, 5/16-18 Nylon Lock Hex	F05010-58	8	
39	Washer, 5/16 SAE Flat	F05011-17	16	

12.8 Directional Valve Assembly (BX12)



300_0285-6

REF	DESCRIPTION (◆ Indicates Parts Available In Assemblies Only)	PART #	QTY.
	VALVE ASSEMBLY, BED-X DIRECTIONAL	074292	1
1	Fitting, #10 SAE-#8 JIC	025963	2
2	Fitting, #8SAE-1/4JIC	036759	2
3	Valve, D03 3Pos A-B Tank	078683	3
4	Valve, D03 PO Check	078738	3
5	Manifold, AD03P032S 3-Section	074293	1
6	Fitting, 10SAE Straight Thread Plug	074299	2
7	Screw, 10-24x3 1/2 SHC BO	F05004-293	12
8	Fitting, 8SAE-6JIC	P12703	4
	Fitting, 1/4JIC Cap	016815	2
	Fitting, 3/8JIC Cap	016816	4
	Fitting, 1/2JIC Cap	P26341	2

INDEX

B

- bed extension
 - bx control (BX12) 12-10
 - bx valve (BX12) 12-12
 - complete BX12 12-5
 - complete BX6 12-1
 - connection hardware (BX6) 12-3
 - directional valve (BX12) 12-14
 - hydraulic side support (BX12) 12-6
 - power taper set roller (BX12) 12-8
- bed frame
 - bed rail (front) 7-1
 - bed rail (middle and rear) 7-4
 - bed rail (middle front) 7-2
 - bed rail (middle rear) 7-3
 - fork tube 7-5
- blade guide arm 2-17
- blade guides
 - block kit 2-2
 - drive side assembly 2-10, 2-12, 2-15
 - idle side assembly 2-5, 2-8
 - idle side roller 2-1, 2-2
 - roller/block kit 2-1
- blade wheels
 - brake actuator & strap 3-7
 - drive side 3-3, 3-5
 - idle side w/brake 3-2

C

- cab option 10-1
 - front panel 10-6
 - rear panel 10-2
 - right panel 10-4
 - roof 10-8

D

- drive assembly
 - blade motor 4-13
- drive shaft 3-1

H

- hydraulics
 - hoses 8-21
 - log clamp 8-5
 - log turner 8-3
 - power unit 8-12, 8-15, 8-16
 - pump & tank 8-14
 - side supports 8-1
 - taper set roller 8-17, 8-19
 - toe board (front) 8-7
 - toe board (rear w/ramp) 8-9, 8-10
 - toe board (rear) 8-8

L

- lube system 9-1
- lube system (optional pressure) 11-1

M

- manuals 9-4

O

- operator station
 - air conditioning/heat 10-12
 - air supply 10-5, 10-9
 - flow divider 10-11
 - frame/rails/ladder 10-1
 - junction control 10-7
 - seat/joystick controls 10-3

P

pantograph 9-5

parts list

how to use 1-1

power feed

drive 6-5, 6-7

feed chain/stops 6-9

lower track rollers 6-3

lower wireway 6-10

upper track rollers 6-1

S

saw head

blow-off assembly 4-5

board return 4-1

board return guide 4-2

covers 4-3

decals 4-8, 4-9

head/air box 4-10

laser assembly 4-6

T

tools 9-3

U

up/down

ballscrew mount (middle) 5-6

ballscrew mount (top) 5-8

bearing rails 5-3, 5-10

drive 5-4

mast pads/rollers 5-1

transducer 5-9