


## **APPENDIX A ELECTRICAL INFORMATION**

**WM4500 12' Bed Extension Rev. A4.03+**

# Table of contents

WM\_TableOfContents

Page	Page type	Page description	Date	Edited by
&MEA/A1	Table of contents	Table of contents	7/15/2024	JRF
&MEA/A2	Table of contents	Table of contents	4/25/2024	JRF
&MEA/B1	Overview	Revision History	7/15/2024	JRF
&MEA+L1.L3/1	Schematic multi-line	Power Pg 1	4/25/2024	JRF
&MEA+L1.L3/2	Schematic multi-line	Power Pg 2	4/25/2024	JRF
&MEA+L1.L3/3	Schematic multi-line	Power Pg 3	4/25/2024	JRF
&MEA+L1.L3/4	Schematic multi-line	Control Pg 1	4/25/2024	JRF
&MEA+L1.L3/5	Schematic multi-line	Control Pg 2	4/25/2024	JRF
&MEA+L1.L3/6	Schematic multi-line	Control Pg 3	4/25/2024	JRF
&MEA+L1.L4/7	Schematic multi-line	Control Pg 4	4/25/2024	JRF
&MEA+L1.L4/8	Schematic multi-line	Control Pg 5	4/25/2024	JRF
&MEA+L1.L4/9	Schematic multi-line	Control Pg 6	4/25/2024	JRF
&MEA+L1.L4/10	Schematic multi-line	Control Pg 7	4/25/2024	JRF
&MEA+L1.L4/11	Schematic multi-line	Control Pg 8	4/25/2024	JRF
&MEA+L1.L4/12	Schematic multi-line	Control Pg 9	4/25/2024	JRF
&MEA+L1.L4/13	Schematic multi-line	Control Pg 10	4/25/2024	JRF
&MEA+L1.L4/14	Schematic multi-line	Control Pg 11	4/25/2024	JRF
&MEA+L1.L4/15	Schematic multi-line	Control Pg 12	4/25/2024	JRF
&MEA+L1.L4/16	Schematic multi-line	Control Pg 13	4/25/2024	JRF
&MEA+L1.L4/17	Schematic multi-line	Control Pg 14	4/25/2024	JRF
&MEA+L1.L4/18	Schematic multi-line	Control Pg 15	4/25/2024	JRF
&MEA+L1.L4/19	Schematic multi-line	Communication	4/25/2024	JRF
&MEA+L1.L4/20	Panel layout	PLC Diagram	4/25/2024	JRF
&MEA+L1.L4/21	Schematic multi-line	PLC 1	4/25/2024	JRF
&MEA+L1.L4/22	Schematic multi-line	PLC 2	4/25/2024	JRF
&MEA+L1.L4/23	Schematic multi-line	PLC 3	4/25/2024	JRF
&MEA+L1.L4/24	Schematic multi-line	PLC 4	4/25/2024	JRF
&MEA+L1.L4/25	Schematic multi-line	PLC 5	4/25/2024	JRF
&MEA+L1.L4/26	Schematic multi-line	PLC 6	4/25/2024	JRF
&MEA+L1.L4/27	Schematic multi-line	PLC 7	4/25/2024	JRF
&MEA+L1.L4/28	Schematic multi-line	PLC 8	4/25/2024	JRF
&MEA+L1.L4/29	Schematic multi-line	PLC 9	4/25/2024	JRF
&MEA+L1.L4/30	Schematic multi-line	PLC 10	4/25/2024	JRF
&MEA+L1.L4/31	Schematic multi-line	PLC 11	4/25/2024	JRF
&MEA+L1.L4/32	Schematic multi-line	PLC 12	4/25/2024	JRF
&MEA+L1.L4/33	Schematic multi-line	PLC 13	4/25/2024	JRF
&MEA+L1.L4/34	Schematic multi-line	PLC 14	4/25/2024	JRF
&MEA+L1.L4/35	Schematic multi-line	PLC 15	4/25/2024	JRF

		<b>Wood-Mizer®</b>		
Project Description: WM4500 Bed Extension 12'				
Revision:	A4.04	Pg Desc: Table of contents		
Mounting Location: +		Type: Table of contents		
Prev. pg:	Page: A1	Next pg: A2	Total Pgs: 93	


# Table of contents

WM\_TableOfContents

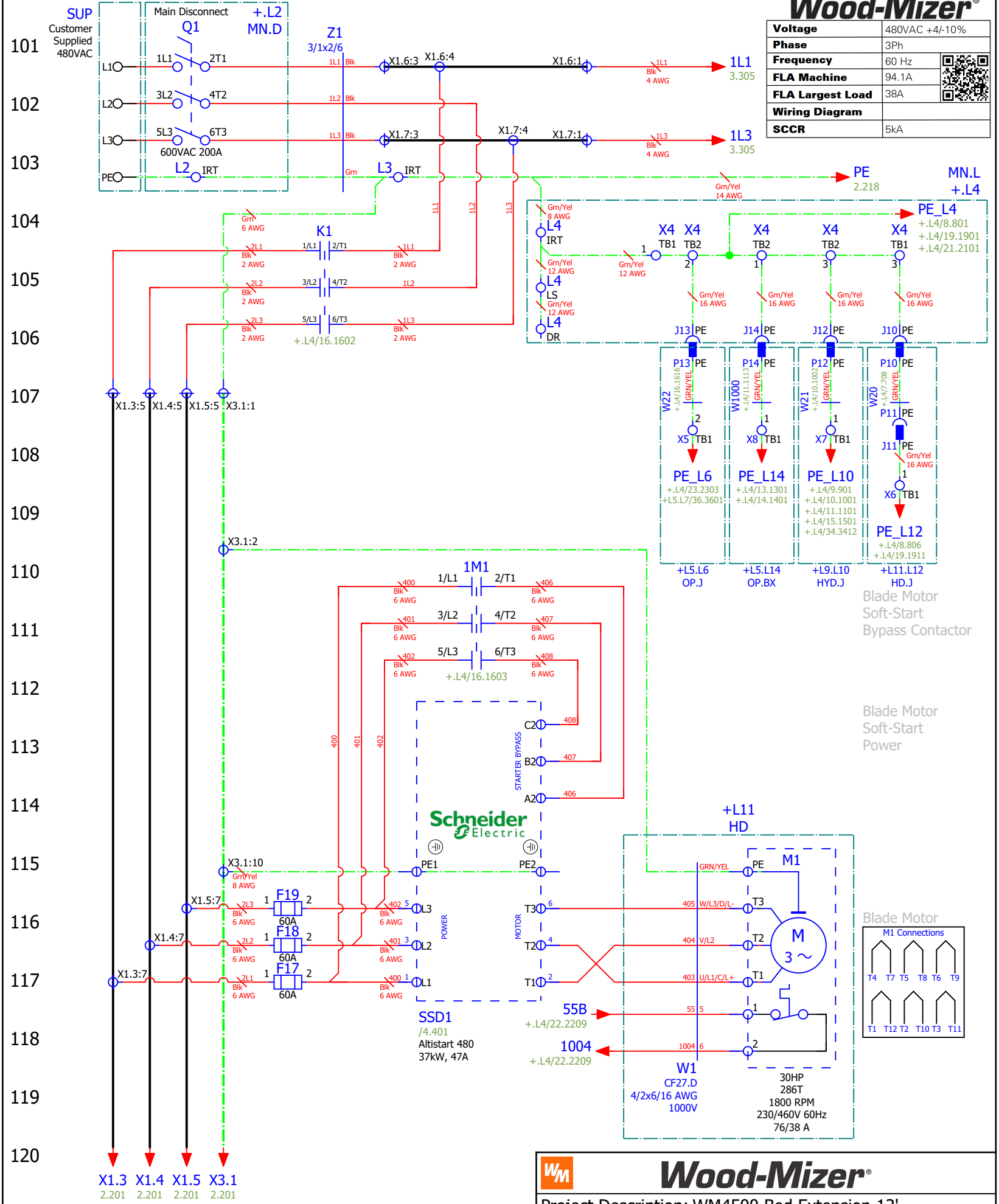
Page	Page type	Page description	Date	Edited by
&MEA+L5.L7/36	Schematic multi-line	HMI 1	4/25/2024	JRF
&MEA+Docs/C1	Parts list	Parts list	4/25/2024	JRF
&MEA+Docs/C2	Parts list	Parts list	4/25/2024	JRF
&MEA+Docs/C3	Parts list	Parts list	4/25/2024	JRF
&MEA+Docs/D1	Terminal line-up diagram	Terminal line-up diagram	4/25/2024	JRF
&MEA+Docs/D2	Terminal line-up diagram	Terminal line-up diagram	4/25/2024	JRF
&MEA+Docs/D3	Terminal line-up diagram	Terminal line-up diagram	4/25/2024	JRF
&MEA+Docs/D4	Terminal line-up diagram	Terminal line-up diagram	4/25/2024	JRF
&MEA+Docs/D5	Terminal line-up diagram	Terminal line-up diagram	4/25/2024	JRF
&MEA+Docs/D6	Terminal line-up diagram	Terminal line-up diagram	4/25/2024	JRF
&MEA+Docs/D7	Terminal line-up diagram	Terminal line-up diagram	4/25/2024	JRF
&MEA+Docs/D8	Terminal line-up diagram	Terminal line-up diagram	4/25/2024	JRF
&MEA+Docs/E1	Cable overview	Cable overview	4/25/2024	JRF
&MEA+Docs/E2	Cable overview	Cable overview	4/25/2024	JRF
&MEA+Docs/E3	Cable overview	Cable overview	4/25/2024	JRF
&MEA+Docs/F1	Panel layout	Main Control Layout	4/25/2024	JRF
&MEA+Docs/F2	Panel layout	Main Control Disconnect Layout	4/25/2024	JRF
&MEA+Docs/F3	Panel layout	Main Control High Voltage Layout	4/25/2024	JRF
&MEA+Docs/F4	Panel layout	Main Control Low Voltage Layout	4/25/2024	JRF
&MEA+Docs/F5	Panel layout	Operator Ctl Layout	4/25/2024	JRF
&MEA+Docs/F6	Panel layout	Operator Ctl Solenoid Layout	4/25/2024	JRF
&MEA+Docs/F7	Panel layout	Operator Ctl Junction Layout	4/25/2024	JRF
&MEA+Docs/F8	Panel layout	Operator Ctl HMI Layout	4/25/2024	JRF
&MEA+Docs/F9	Panel layout	Operator Ctl Bed Ex Layout	4/25/2024	JRF
&MEA+Docs/F10	Panel layout	Operator Ctl Side Supports Layout	4/25/2024	JRF
&MEA+Docs/F11	Panel layout	Hydraulic Control Layout	4/25/2024	JRF
&MEA+Docs/F12	Panel layout	Hydraulic Control Junction Layout	4/25/2024	JRF
&MEA+Docs/F13	Panel layout	Head Control Layout	4/25/2024	JRF
&MEA+Docs/F14	Panel layout	Head Control Junction Layout	4/25/2024	JRF

# Revision History

Date	Revision	Revision Record	Drawn By	Checked By
8/6/18	A1.00	Release to production	JRF	SDC
4/26/19	A2.00	Added Pull Down Clamp Functions	JRF	SDC
12/6/19	A3.00	Full Bed Extension	JRF	SDC
2/14/24	A4.03	Blade Motor Soft Start (SSD1) - OBS of 069933 replaced with 069933-A1	MM	JRF
4/25/24	A4.04	Modbus network update for termination resistor	JRF	***

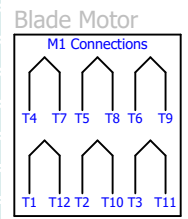
		<b>Wood-Mizer®</b>	
<b>Project Description: WM4500 Bed Extension 12'</b>			
Revision: A4.04		Pg Desc: Revision History	
Mounting Location: +		Type: Overview	
Prev. pg: A2	Page: B1	Next pg: +L1.L3/1	Total Pgs: 93

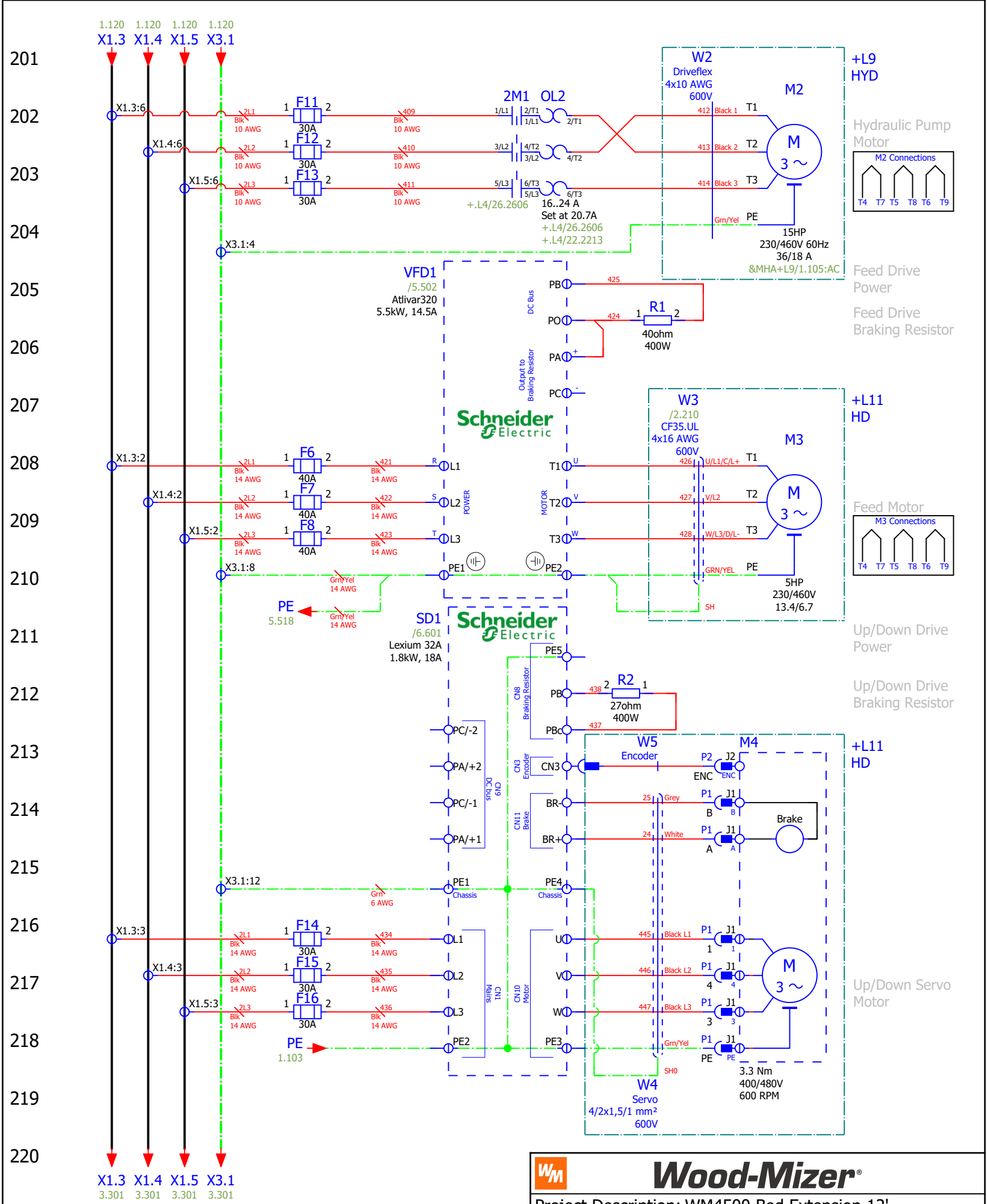
<b>Voltage</b>	480VAC +4/-10%
<b>Phase</b>	3Ph
<b>Frequency</b>	60 Hz
<b>FLA Machine</b>	94.1A
<b>FLA Largest Load</b>	38A
<b>Wiring Diagram</b>	
<b>SCCR</b>	5kA

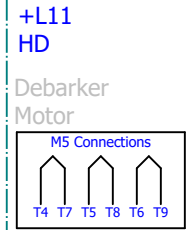
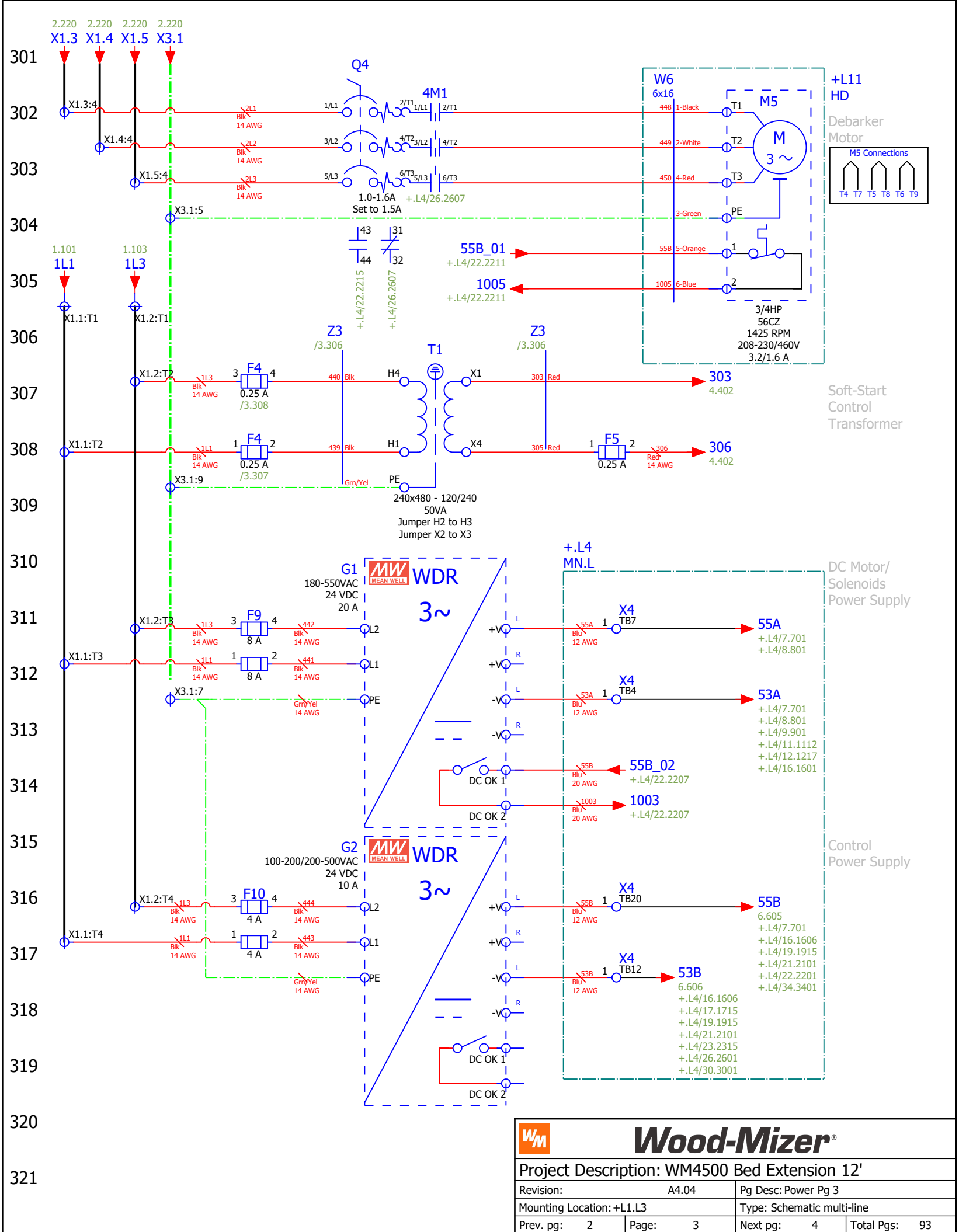


Blade Motor  
Soft-Start  
Bypass Contactor

Blade Motor  
Soft-Start  
Power



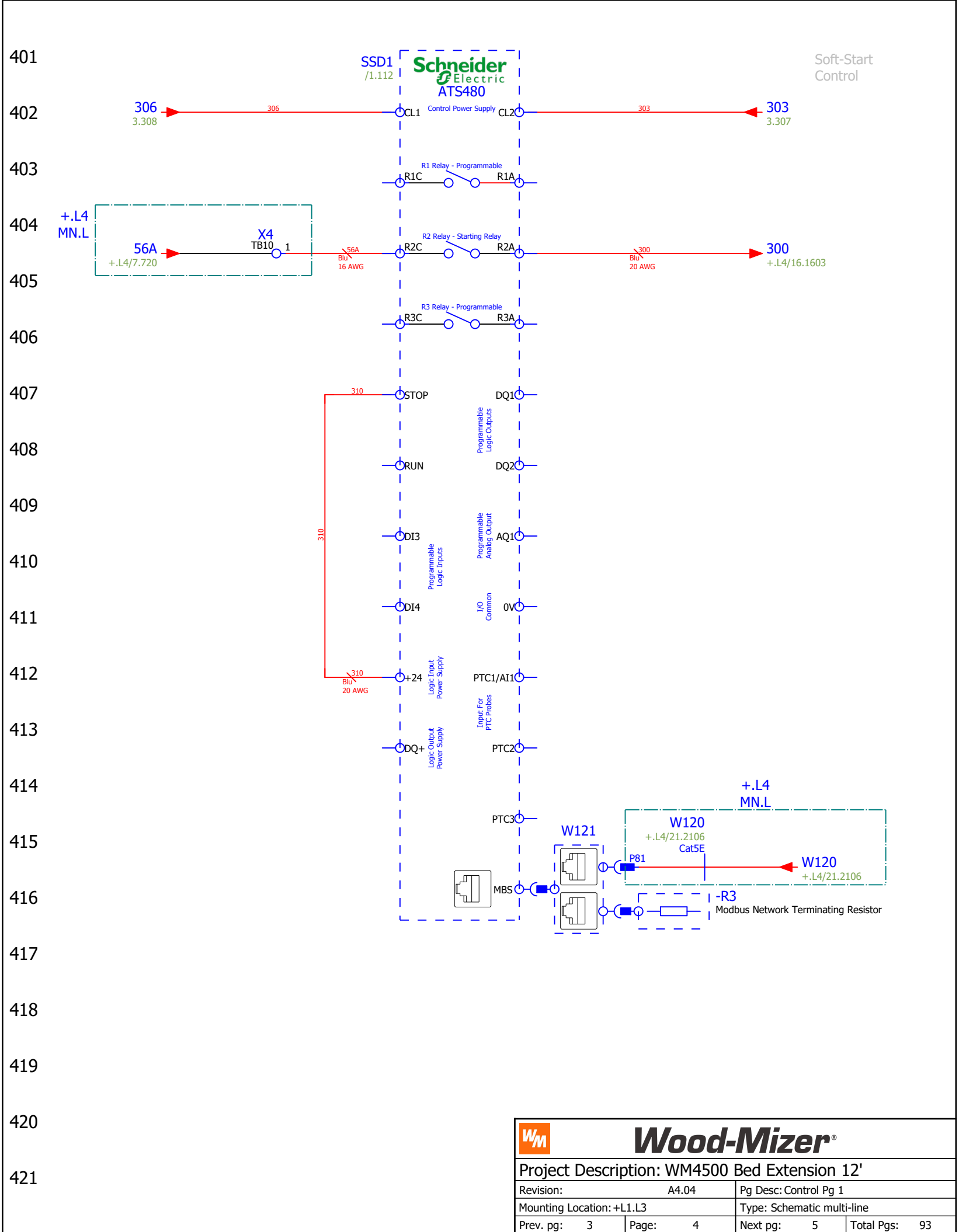




Soft-Start  
Control  
Transformer

DC Motor/  
Solenoids  
Power Supply

Control  
Power Supply



Soft-Start Control

SSD1 /1.112  
Schneider Electric  
ATS480

306 3.308 → Control Power Supply → CL1 → CL2 → 303 3.307

R1 Relay - Programmable  
R1C → R1A

+ .L4 MN.L  
56A +.L4/7.720  
X4 TB10 1

56A 16 AWG → R2C → R2A → 300 +.L4/16.1603  
20 AWG

R3 Relay - Programmable  
R3C → R3A

310 → STOP → RUN → DI3 → DI4 → +24  
20 AWG

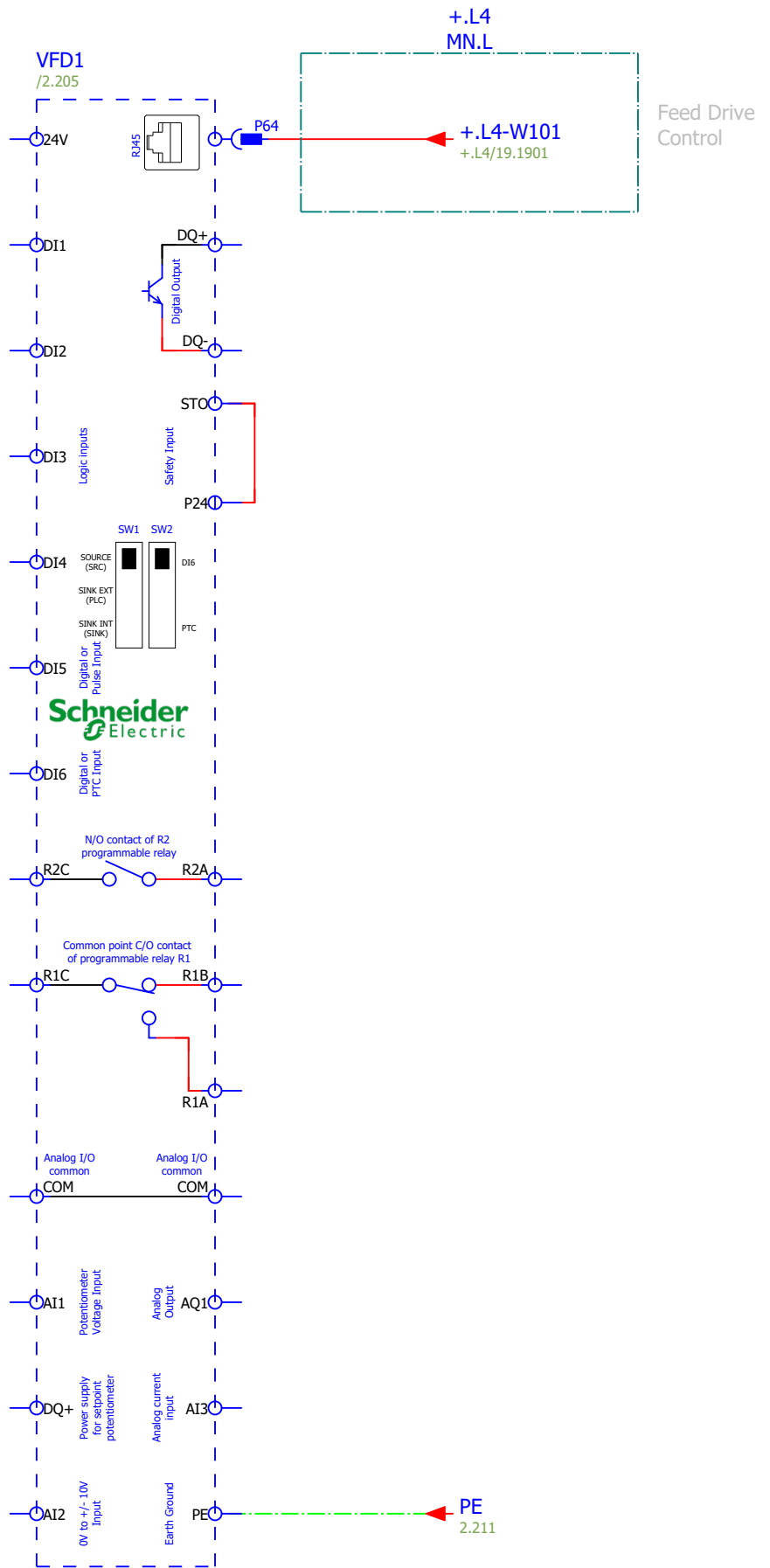
DQ1 → DQ2 → AQ1 → 0V → PTC1/AI1 → PTC2 → PTC3

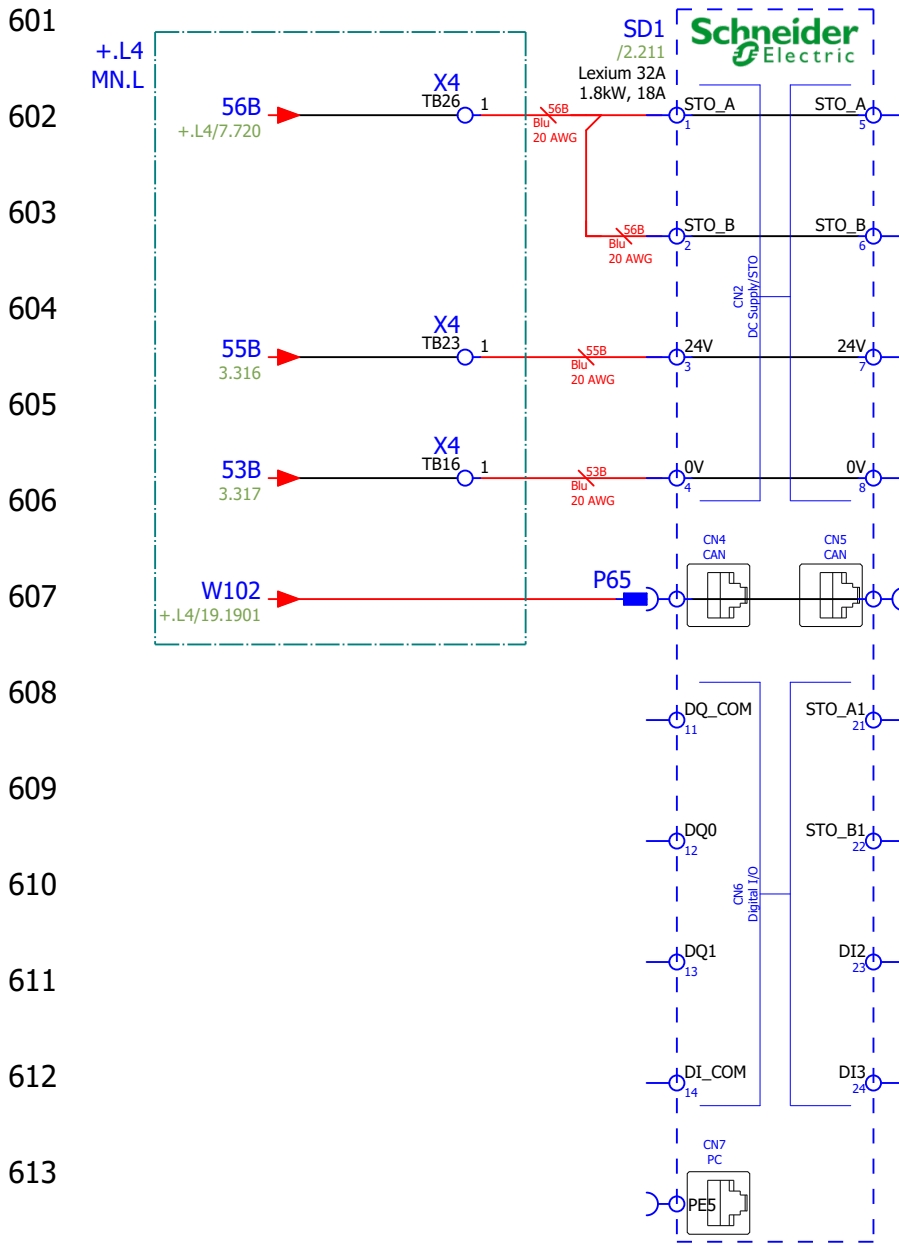
+ .L4 MN.L  
W120 (+.L4/21.2106 Cat5E) → P81 → W120 (+.L4/21.2106)  
-R3 Modbus Network Terminating Resistor

		<b>Wood-Mizer®</b>	
Project Description: WM4500 Bed Extension 12'			
Revision:	A4.04	Pg Desc: Control Pg 1	
Mounting Location: +L1.L3		Type: Schematic multi-line	
Prev. pg:	3	Page:	4
		Next pg:	5
		Total Pgs: 93	

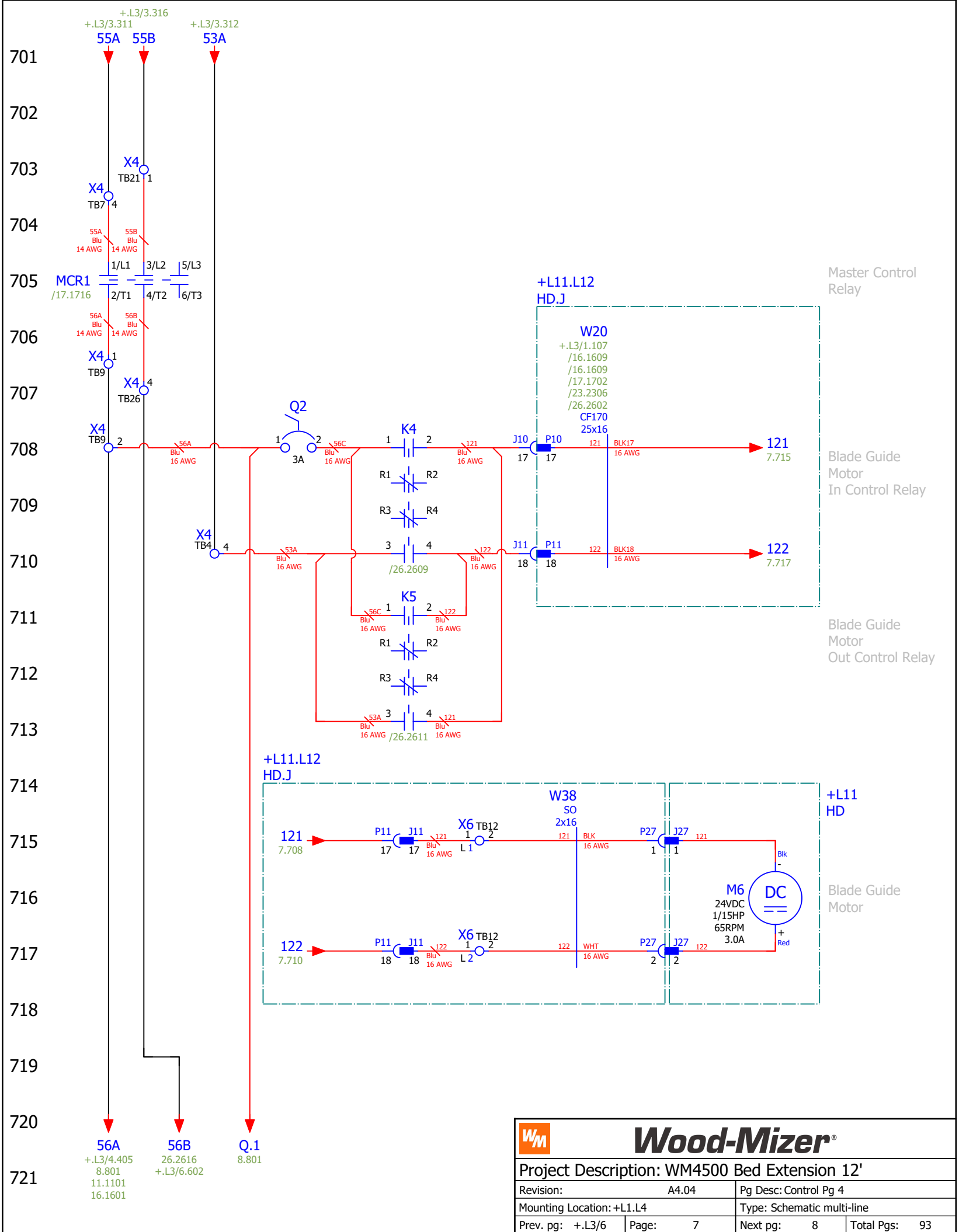


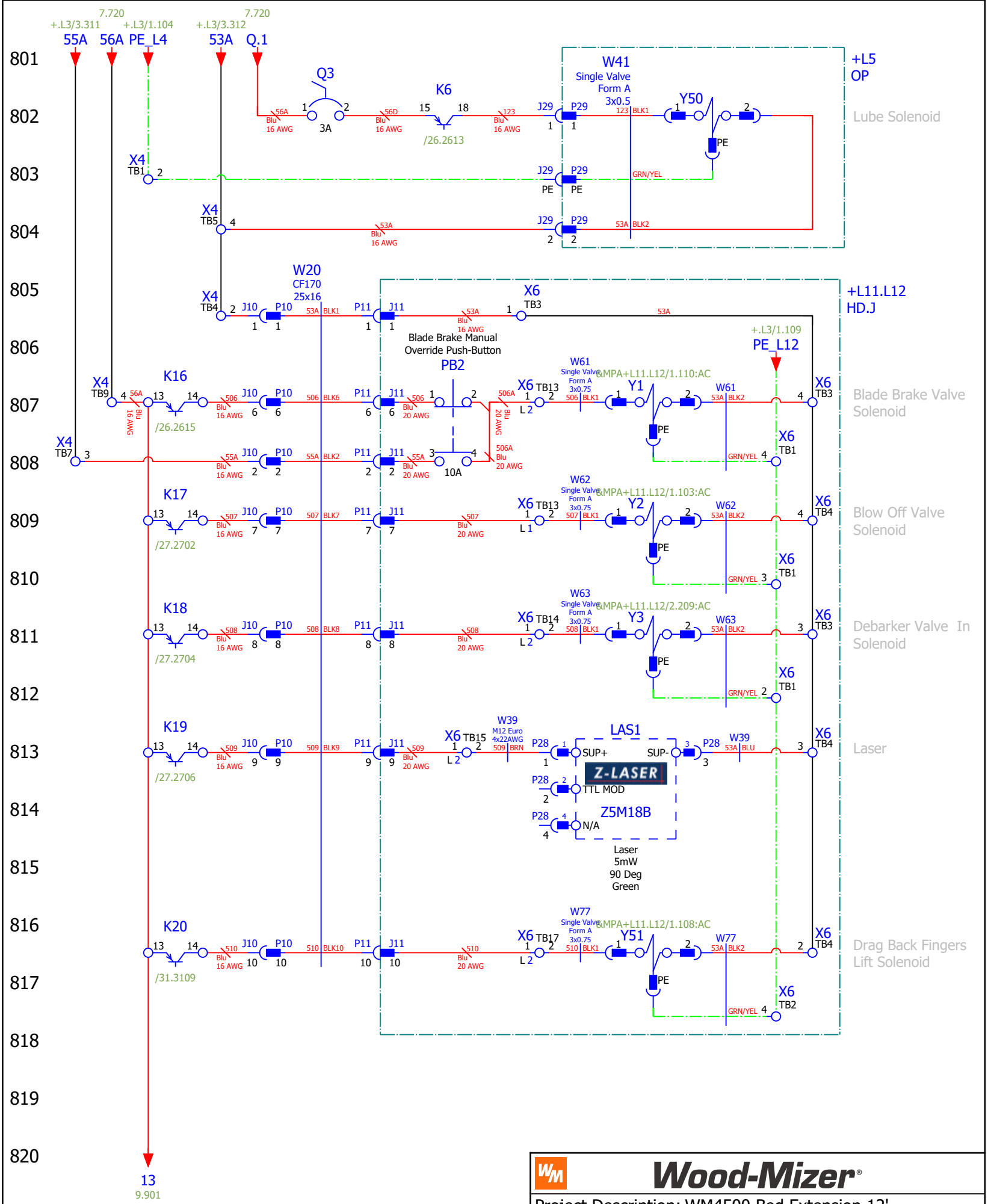
501  
502  
503  
504  
505  
506  
507  
508  
509  
510  
511  
512  
513  
514  
515  
516  
517  
518  
519  
520  
521

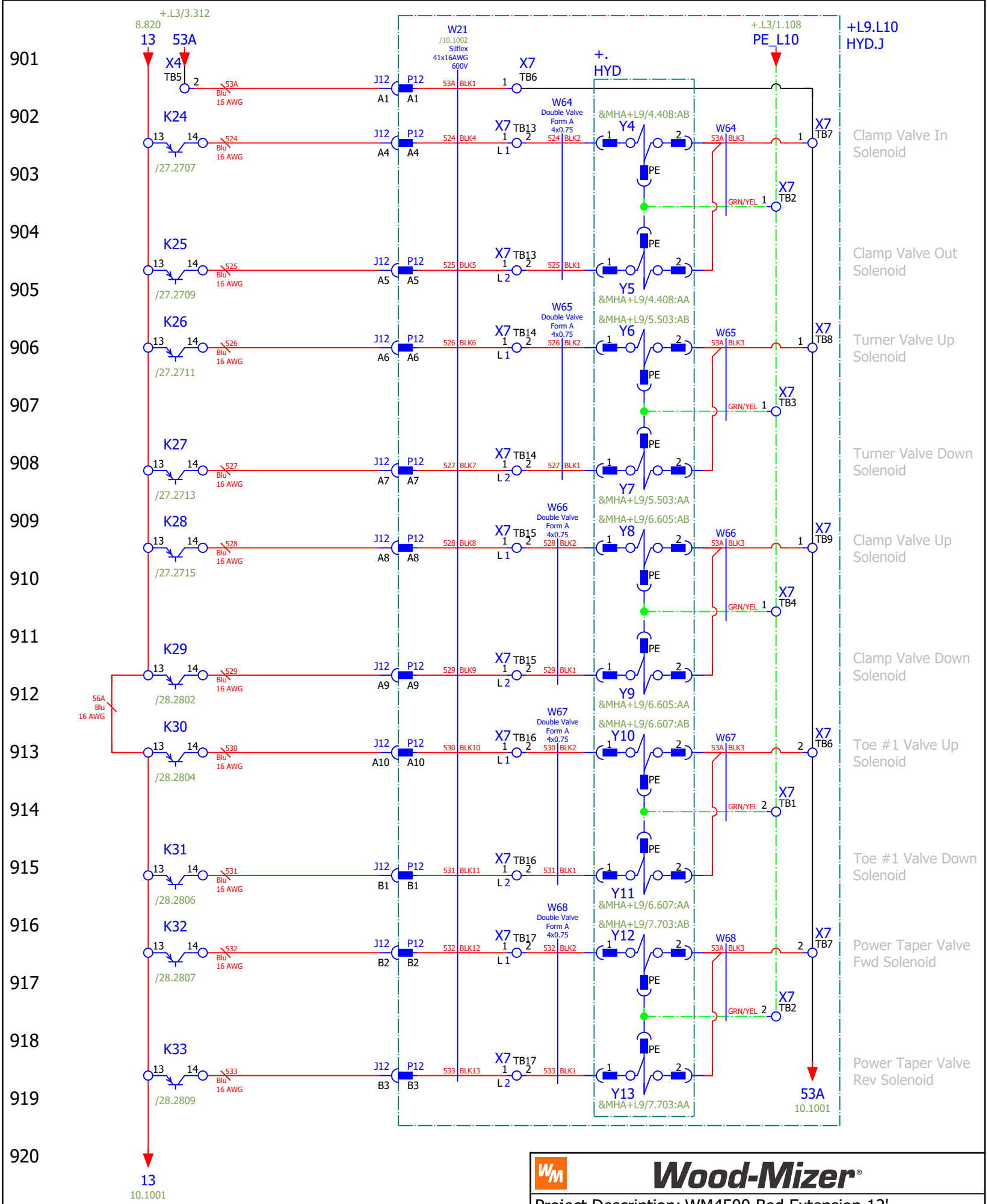


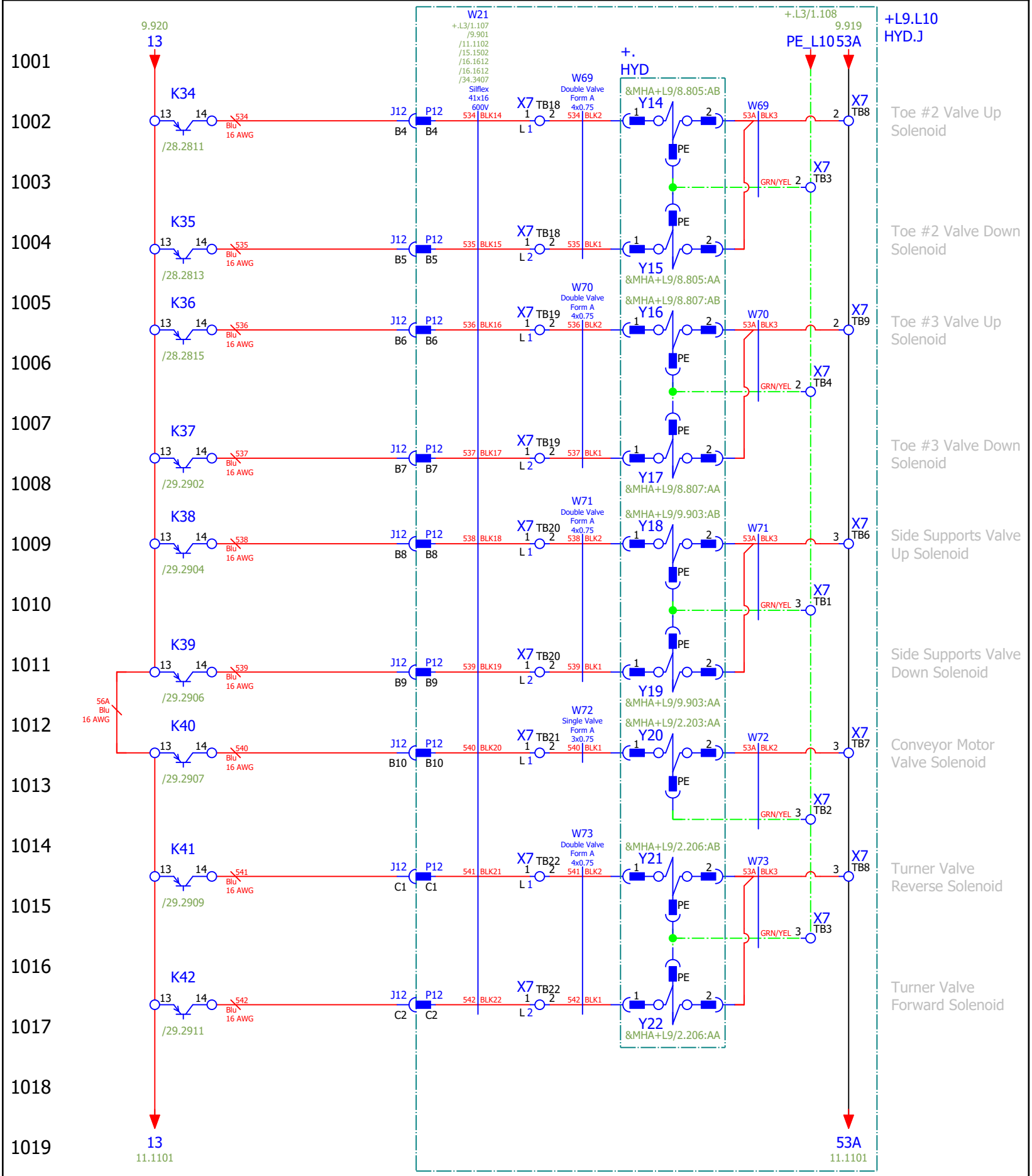


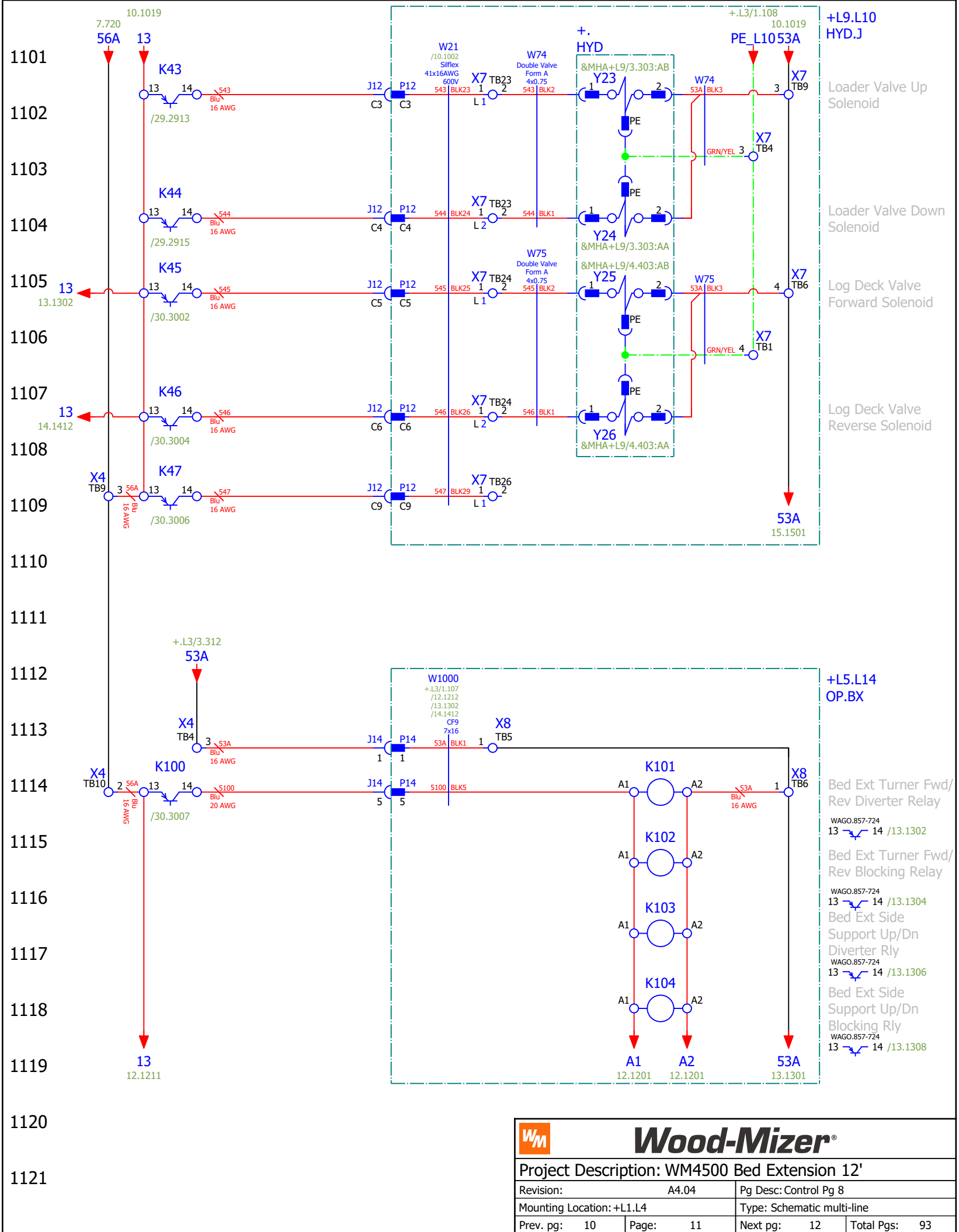
601  
602  
603  
604  
605  
606  
607  
608  
609  
610  
611  
612  
613  
614  
615  
616  
617  
618  
619  
620  
621



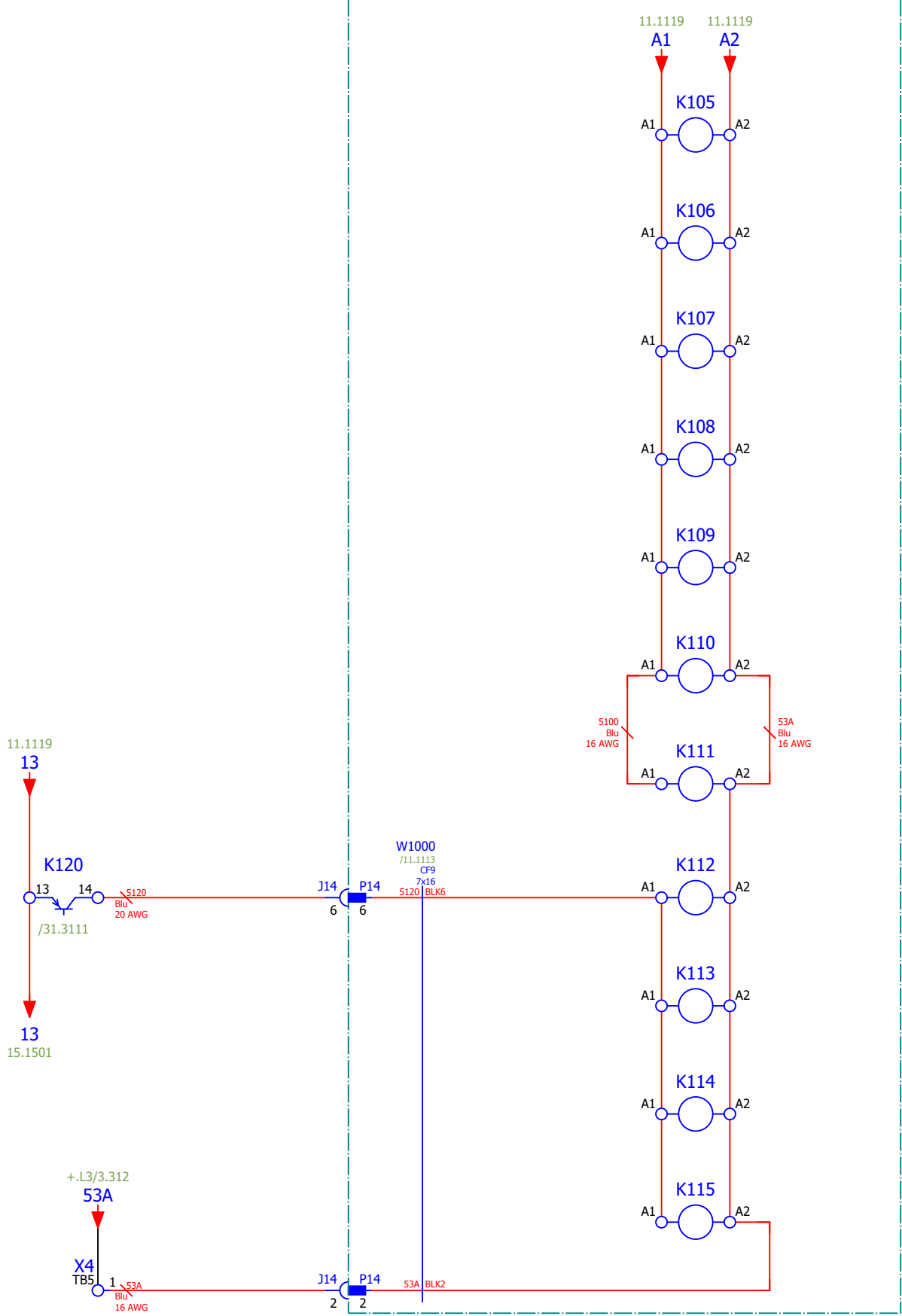








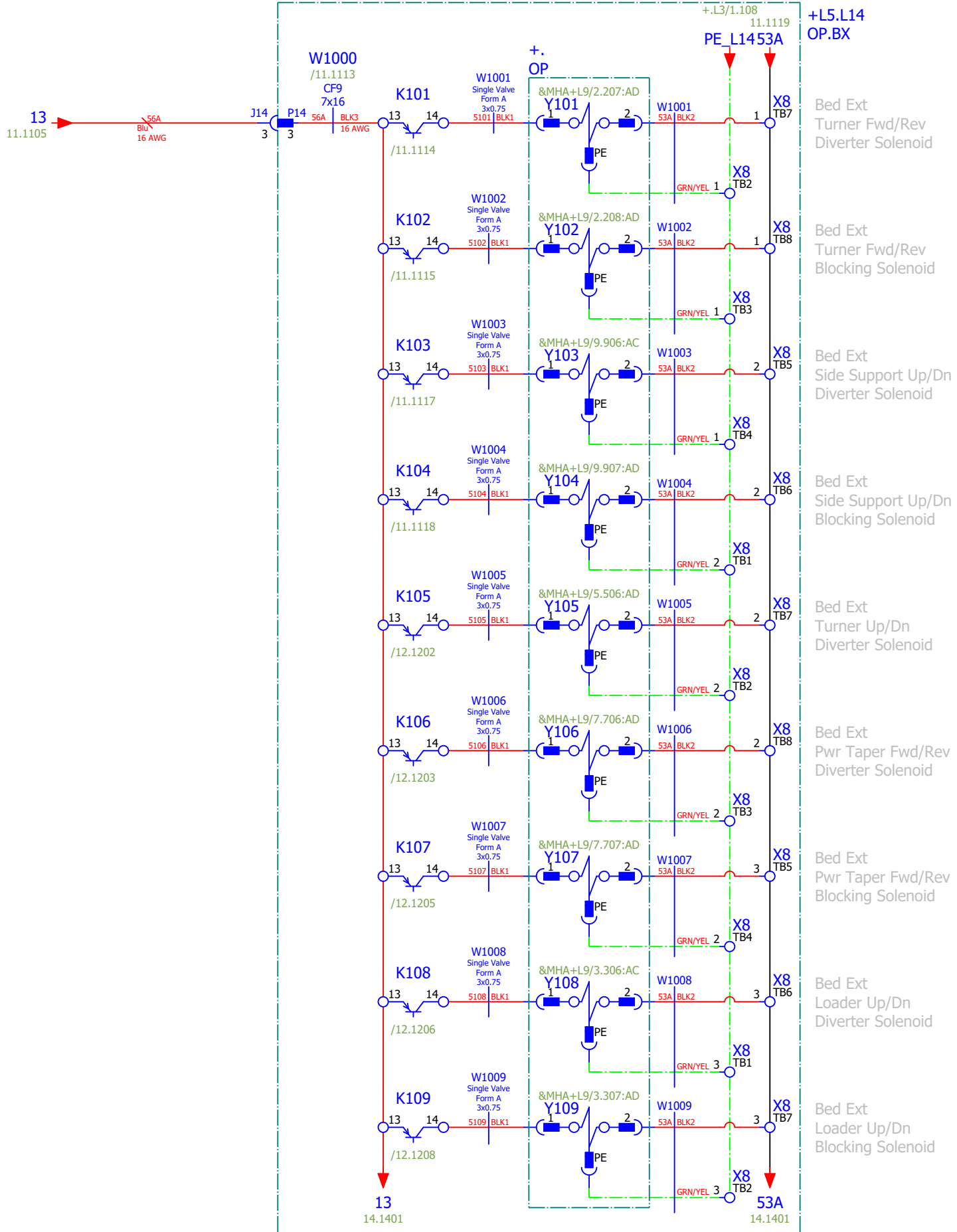
1201  
1202  
1203  
1204  
1205  
1206  
1207  
1208  
1209  
1210  
1211  
1212  
1213  
1214  
1215  
1216  
1217  
1218  
1219  
1220  
1221



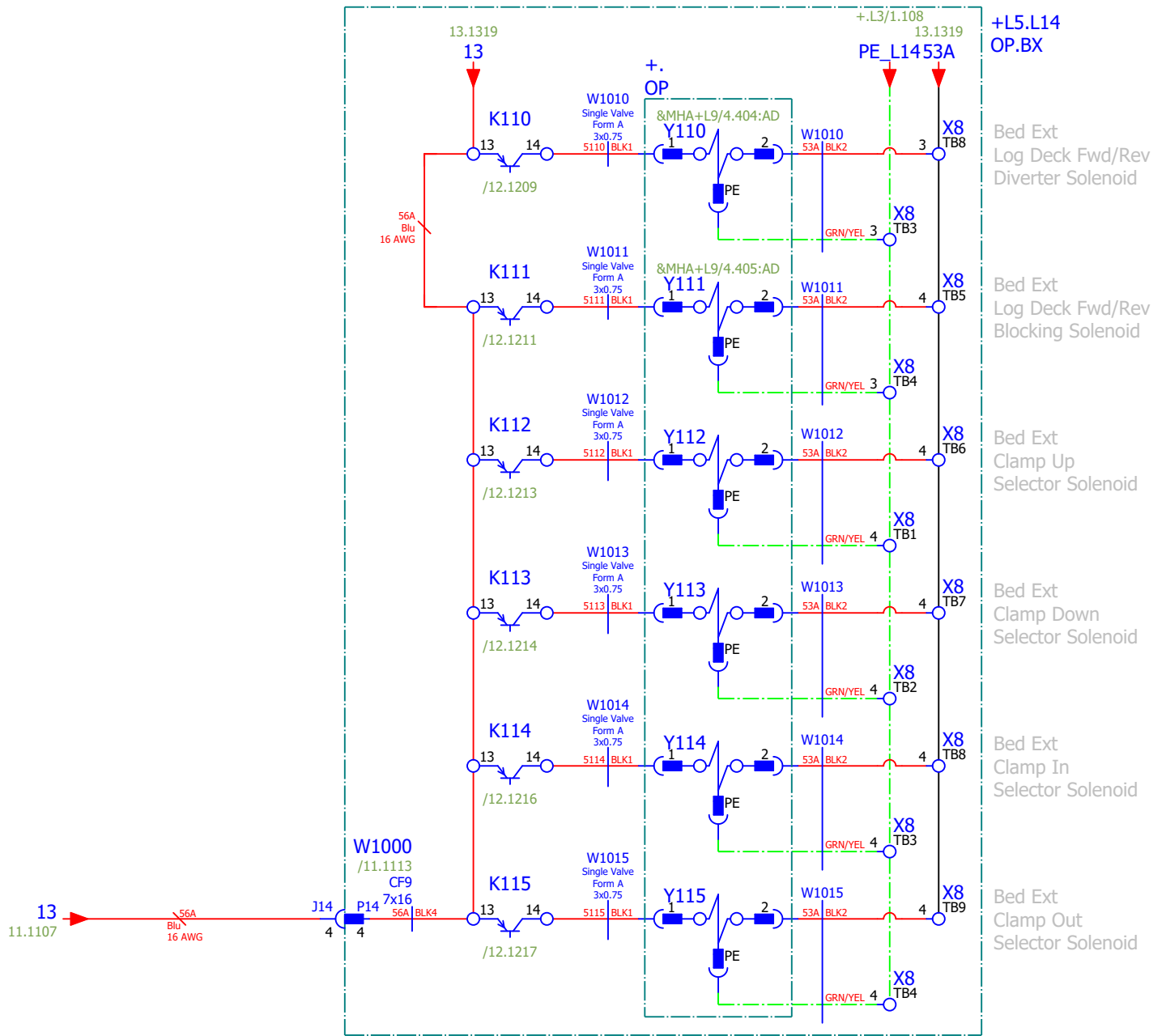
- +L5.L14**  
**OP.BX**
- Bed Ext Turner Up/Dn  
Diverter Relay  
WAGO.857-724  
13 14 /13.1310
- Bed Ext Pwr Taper Fwd/Rev  
Diverter Rly  
WAGO.857-724  
13 14 /13.1312
- Bed Ext Pwr Taper Fwd/Rev  
Blocking Rly  
WAGO.857-724  
13 14 /13.1314
- Bed Ext Loader Up/Dn  
Diverter Relay  
WAGO.857-724  
13 14 /13.1316
- Bed Ext Loader Up/Dn  
Blocking Relay  
WAGO.857-724  
13 14 /13.1318
- Bed Ext Log Deck Fwd/Rev  
Diverter Rly  
WAGO.857-724  
13 14 /14.1402
- Bed Ext Log Deck Fwd/Rev  
Blocking Rly  
WAGO.857-724  
13 14 /14.1404
- Bed Ext Clamp Up  
Diverter Solenoid  
WAGO.857-724  
13 14 /14.1406
- Bed Ext Clamp Down  
Diverter Solenoid  
WAGO.857-724  
13 14 /14.1408
- Bed Ext Clamp In  
Diverter Solenoid  
WAGO.857-724  
13 14 /14.1410
- Bed Ext Clamp Out  
Diverter Solenoid  
WAGO.857-724  
13 14 /14.1412



1301  
1302  
1303  
1304  
1305  
1306  
1307  
1308  
1309  
1310  
1311  
1312  
1313  
1314  
1315  
1316  
1317  
1318  
1319  
1320  
1321



1401  
1402  
1403  
1404  
1405  
1406  
1407  
1408  
1409  
1410  
1411  
1412  
1413  
1414  
1415  
1416  
1417  
1418  
1419  
1420  
1421



+L5.L14  
OP.BX

Bed Ext  
Log Deck Fwd/Rev  
Diverter Solenoid

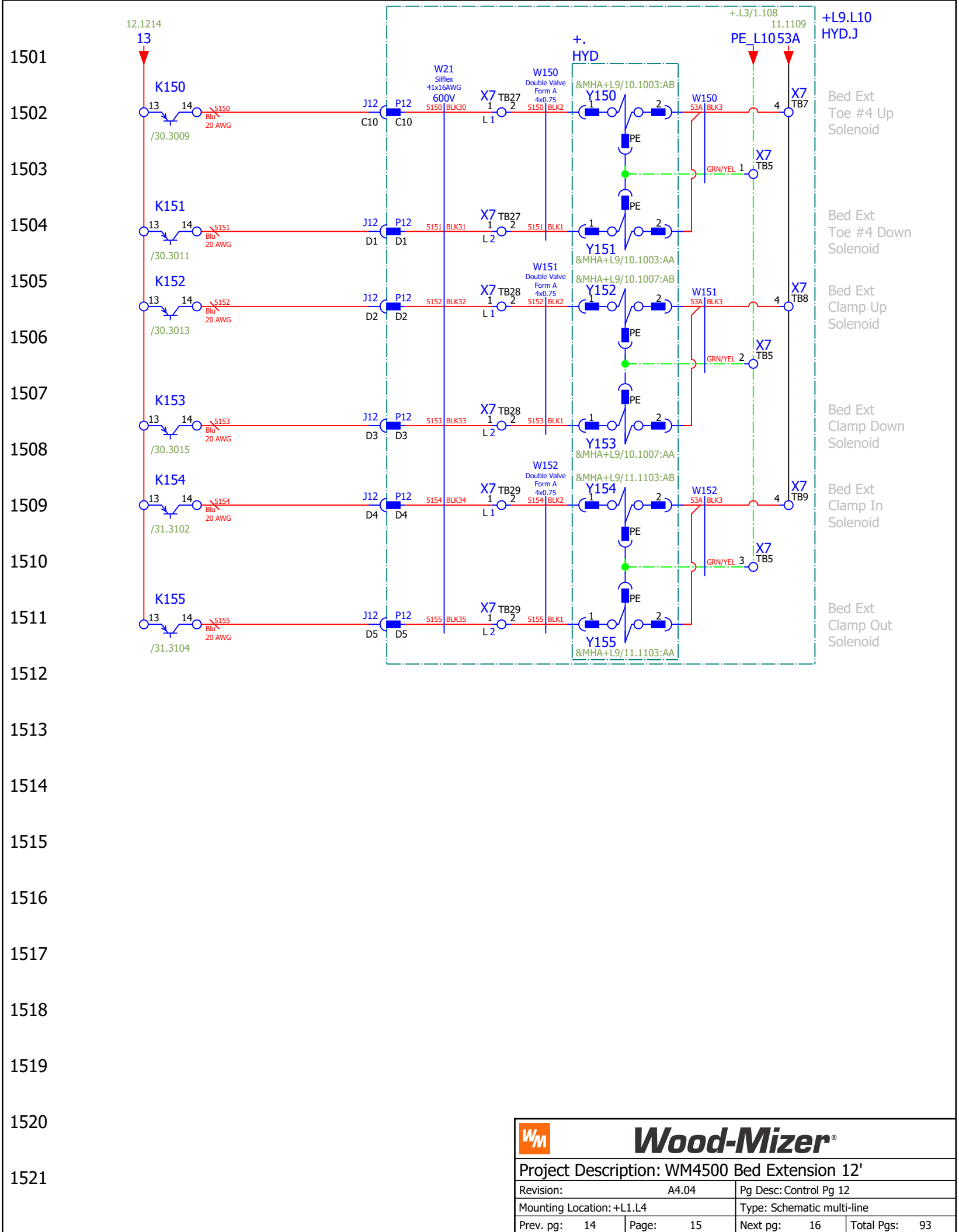
Bed Ext  
Log Deck Fwd/Rev  
Blocking Solenoid

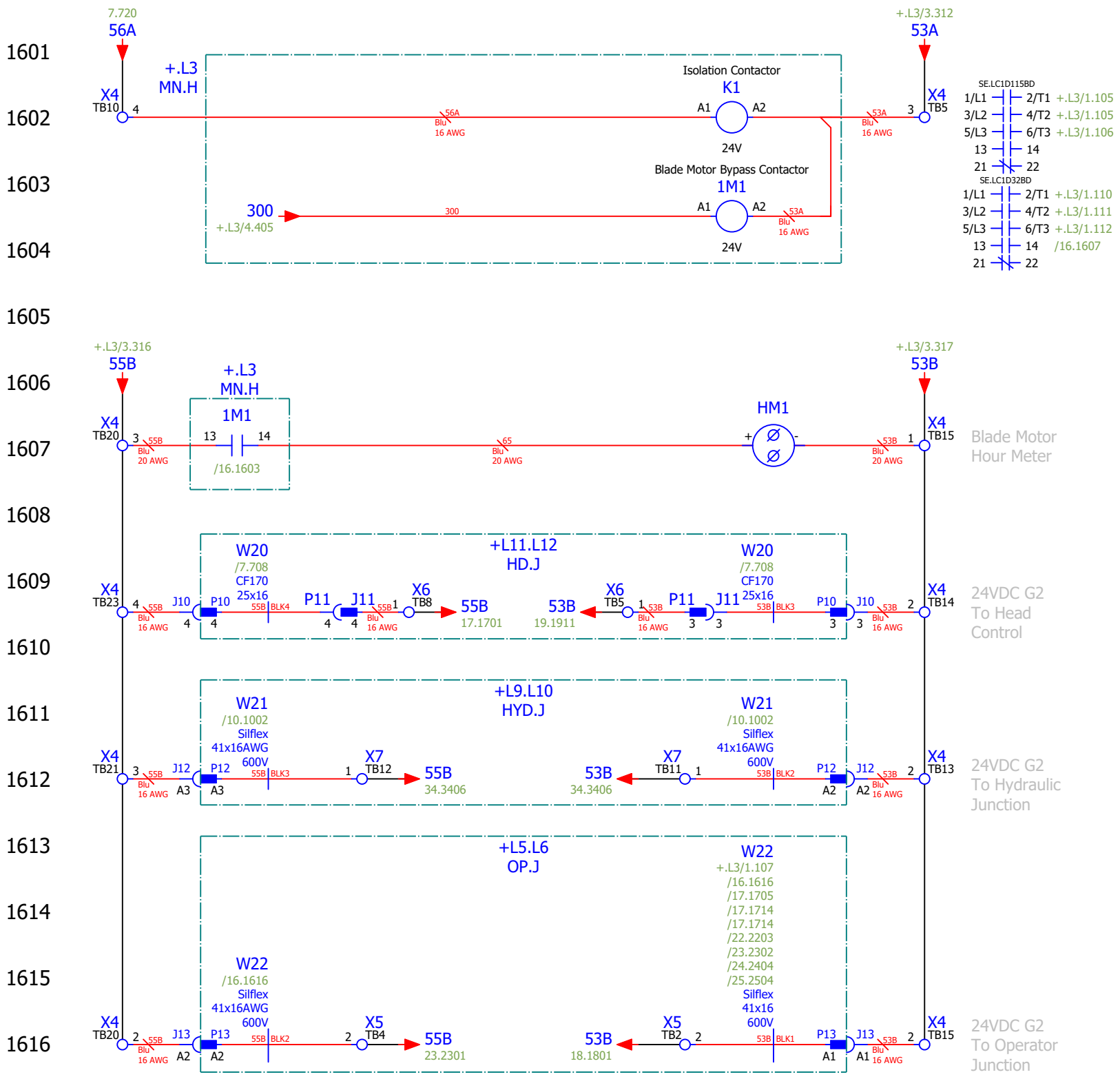
Bed Ext  
Clamp Up  
Selector Solenoid

Bed Ext  
Clamp Down  
Selector Solenoid

Bed Ext  
Clamp In  
Selector Solenoid

Bed Ext  
Clamp Out  
Selector Solenoid





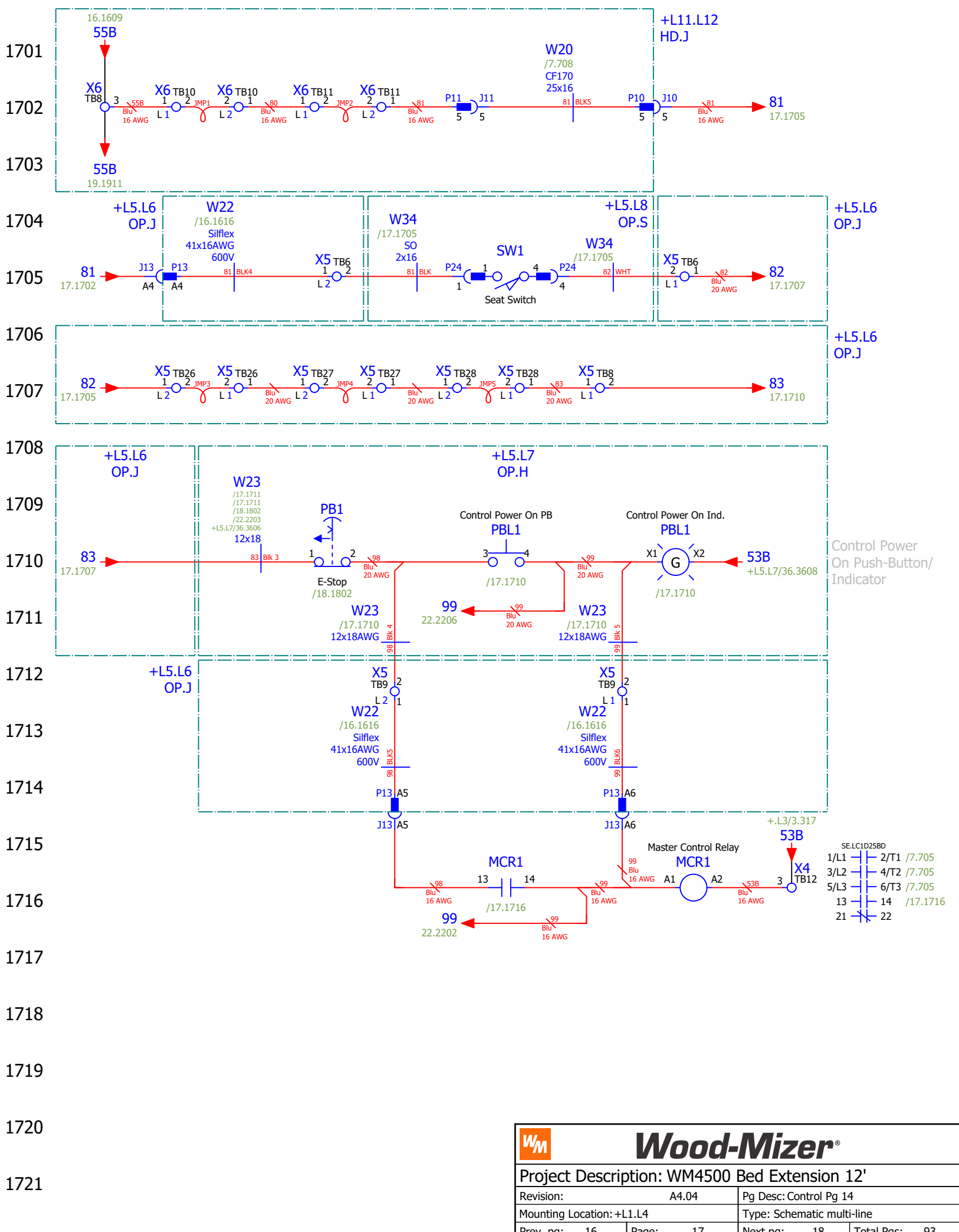
- SE.LC1D115BD
- 1/L1 --- 2/T1 +.L3/1.105
  - 3/L2 --- 4/T2 +.L3/1.105
  - 5/L3 --- 6/T3 +.L3/1.106
  - 13 --- 14
  - 21 --- 22
- SE.LC1D32BD
- 1/L1 --- 2/T1 +.L3/1.110
  - 3/L2 --- 4/T2 +.L3/1.111
  - 5/L3 --- 6/T3 +.L3/1.112
  - 13 --- 14 /16.1607
  - 21 --- 22

Blade Motor Hour Meter

24VDC G2 To Head Control

24VDC G2 To Hydraulic Junction

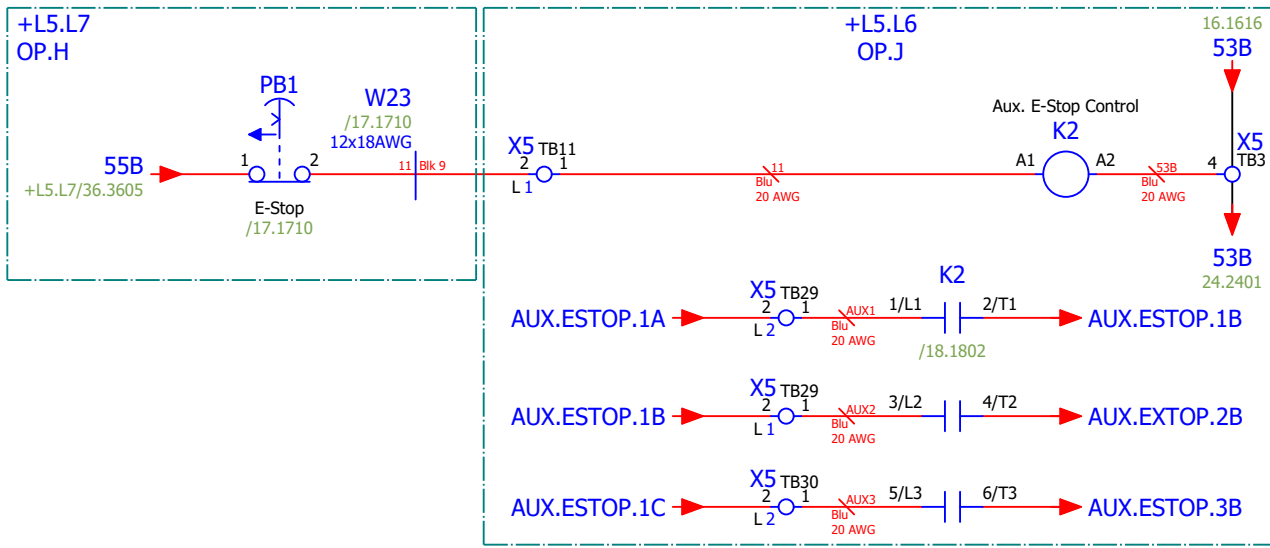
24VDC G2 To Operator Junction



SE.LC1D25BD

1/L1		2/T1	/7.705
3/L2		4/T2	/7.705
5/L3		6/T3	/7.705
13		14	/17.1716
21		22	

1801  
1802  
1803  
1804  
1805  
1806  
1807  
1808  
1809  
1810  
1811  
1812  
1813  
1814  
1815  
1816  
1817  
1818  
1819  
1820  
1821

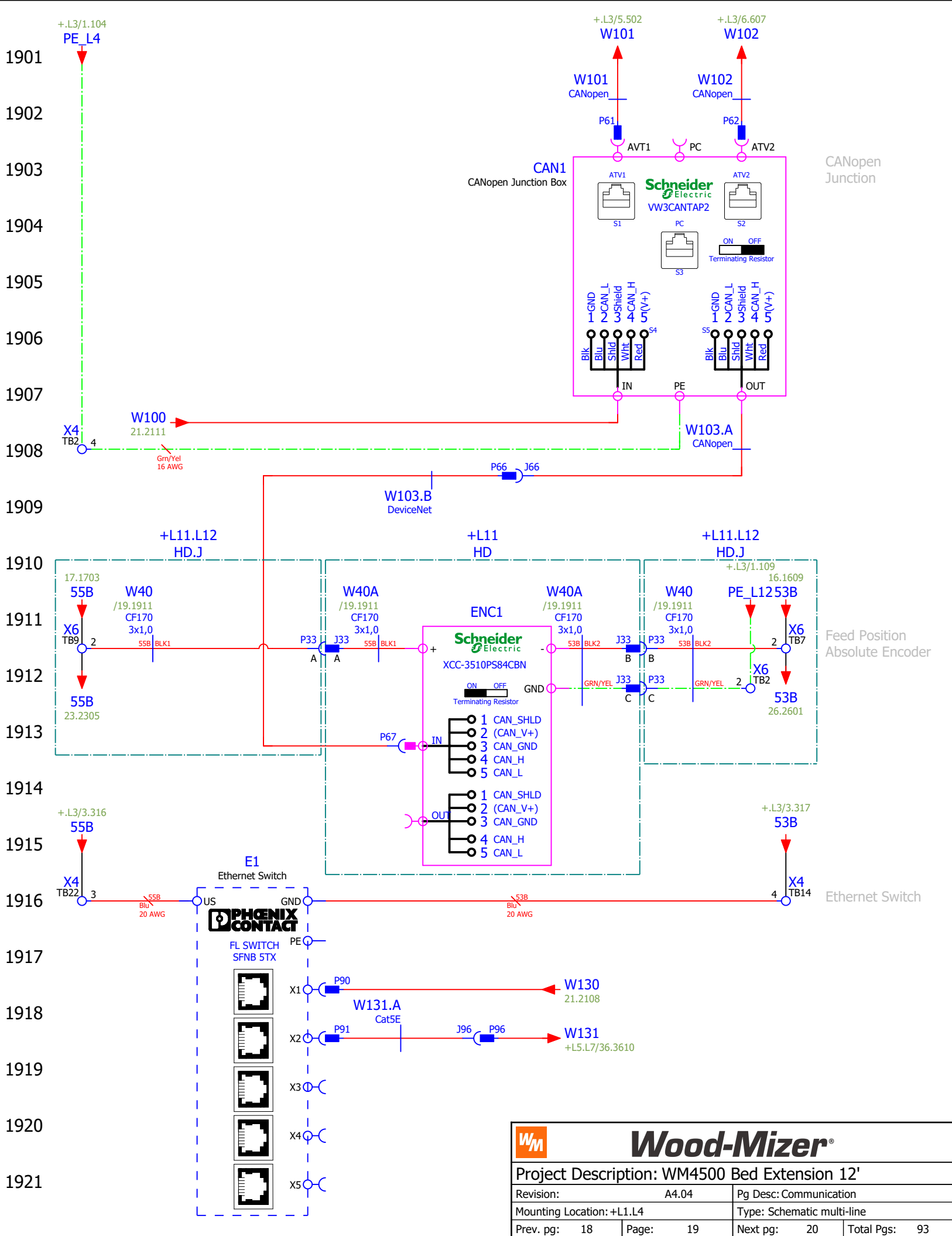


SE.LP1K0910BD  
1/L1 | 2/T1 | /18.1803  
3/L2 | 4/T2 | /18.1805  
5/L3 | 6/T3 | /18.1805  
13 | 14

Auxiliary Equipment  
E-Stop Control 1

Auxiliary Equipment  
E-Stop Control 2

Auxiliary Equipment  
E-Stop Control 3



PLC1.7

PLC1.6

PLC1.5

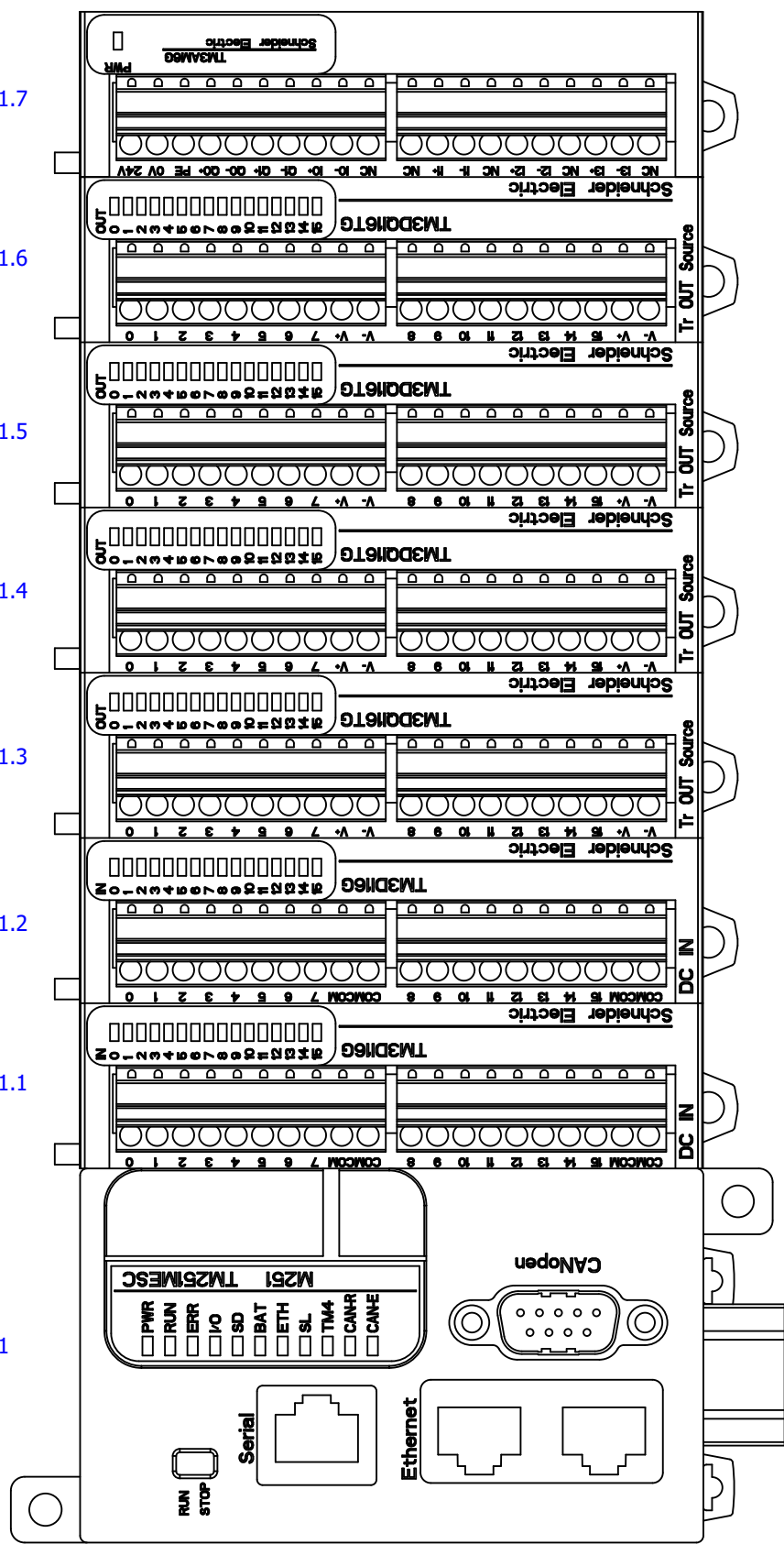
PLC1.4

PLC1.3

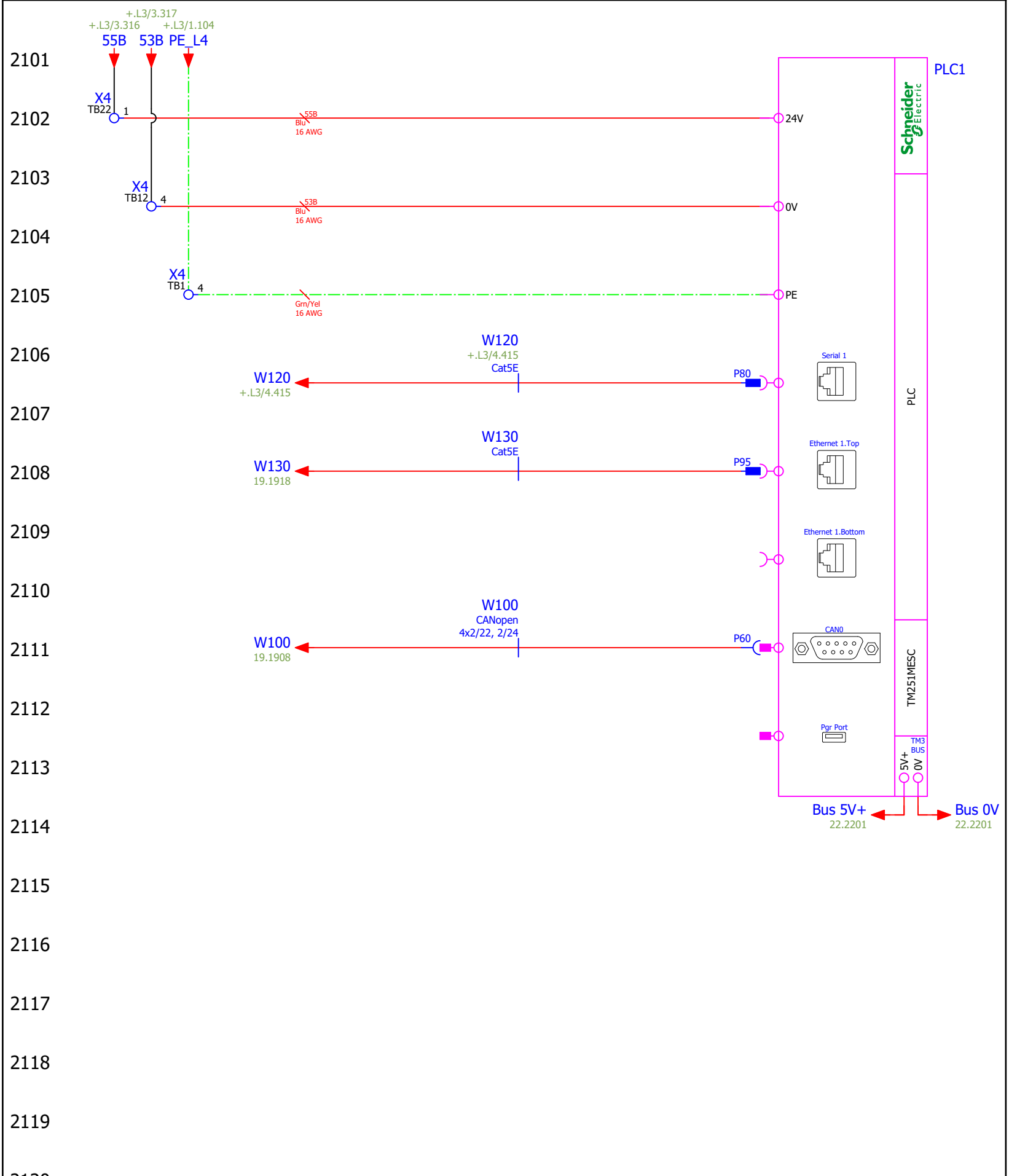
PLC1.2

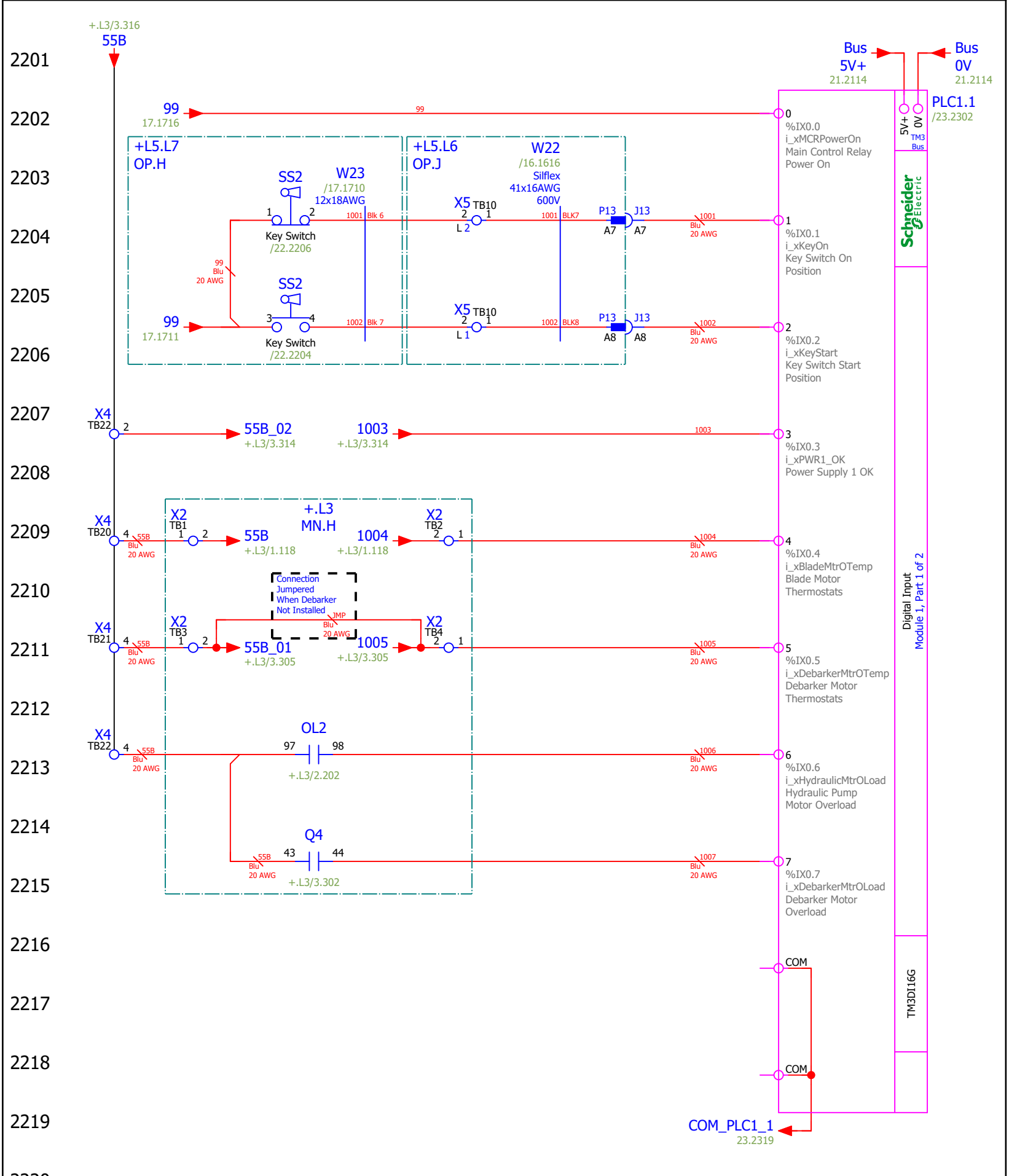
PLC1.1

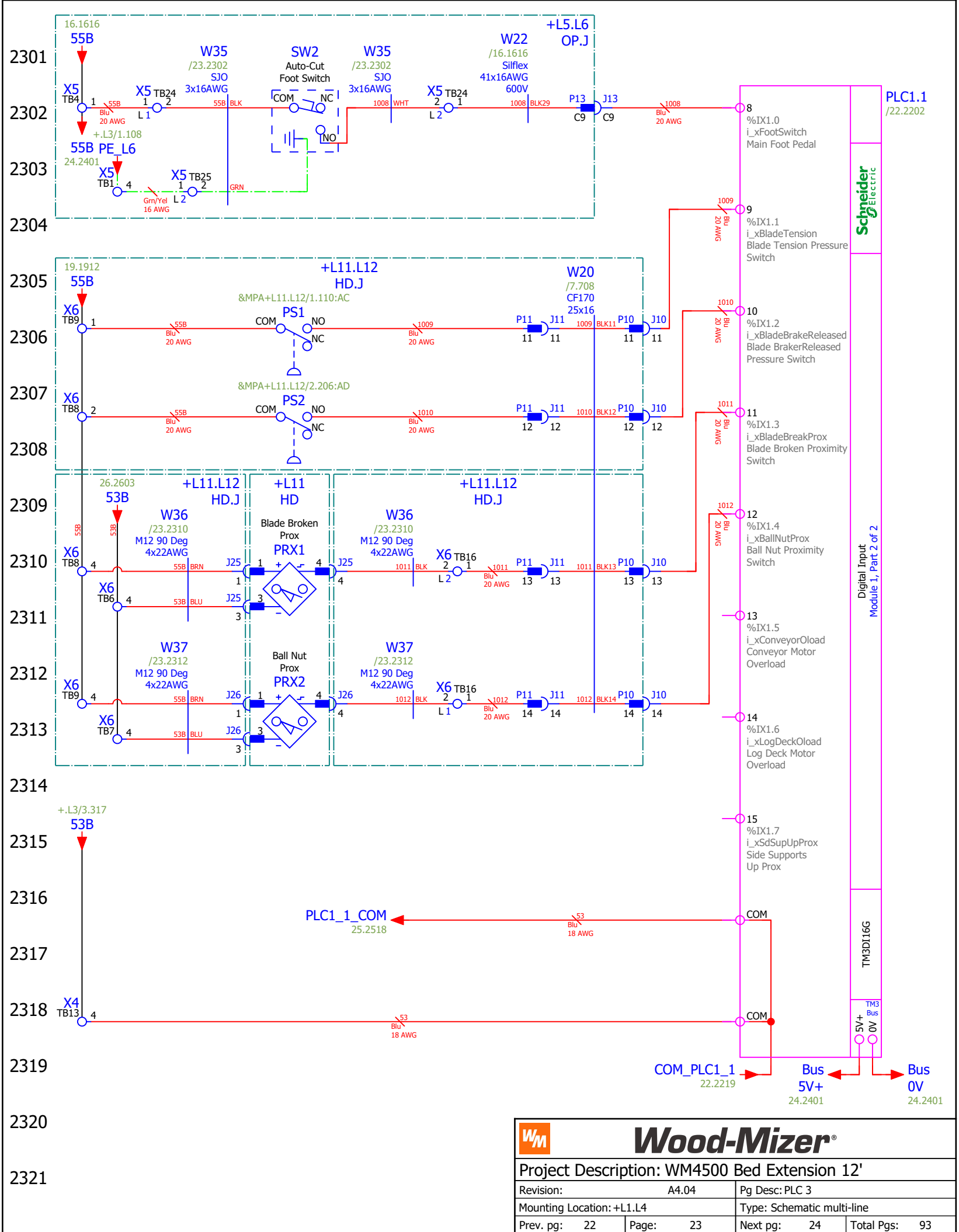
PLC1

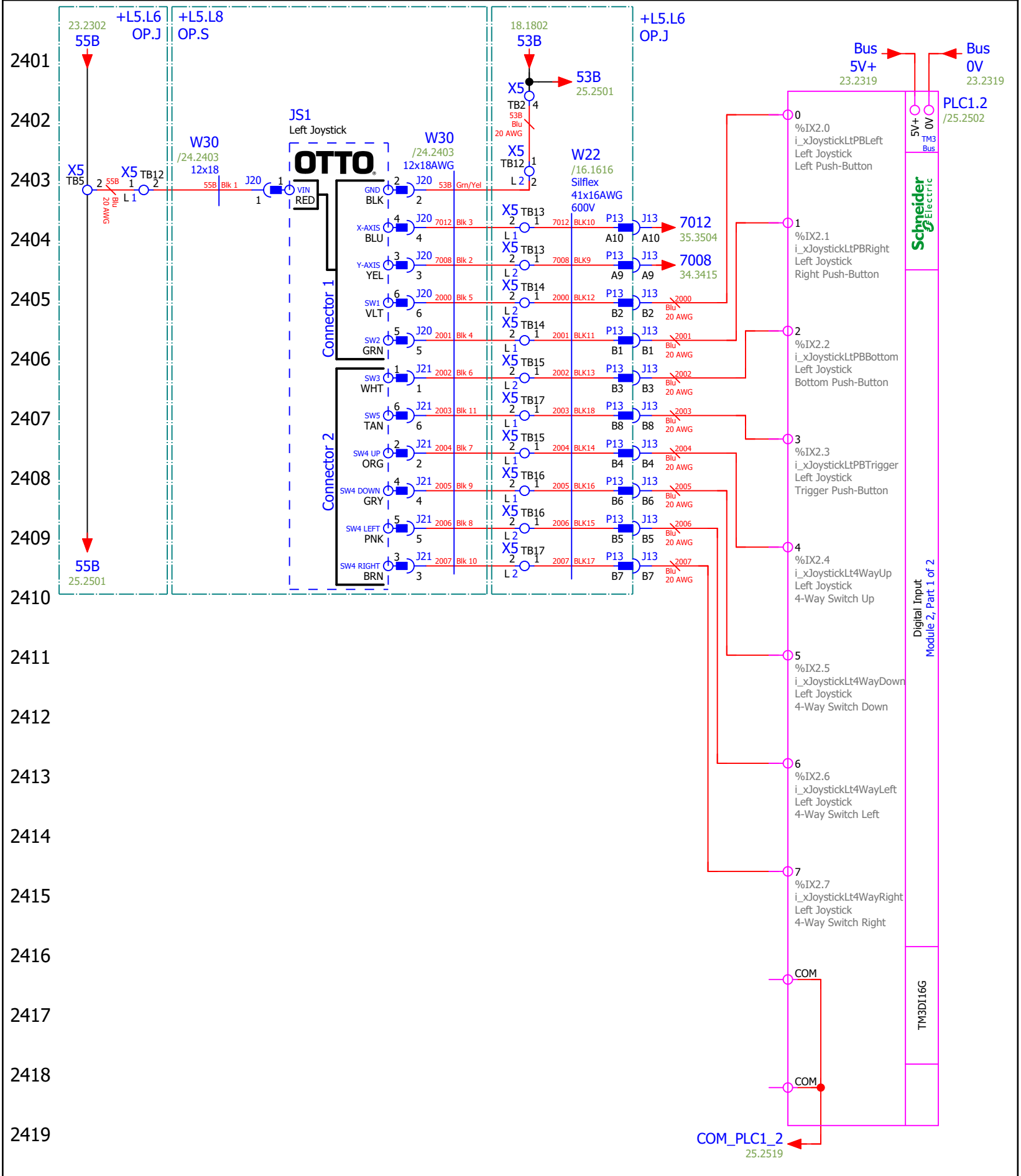


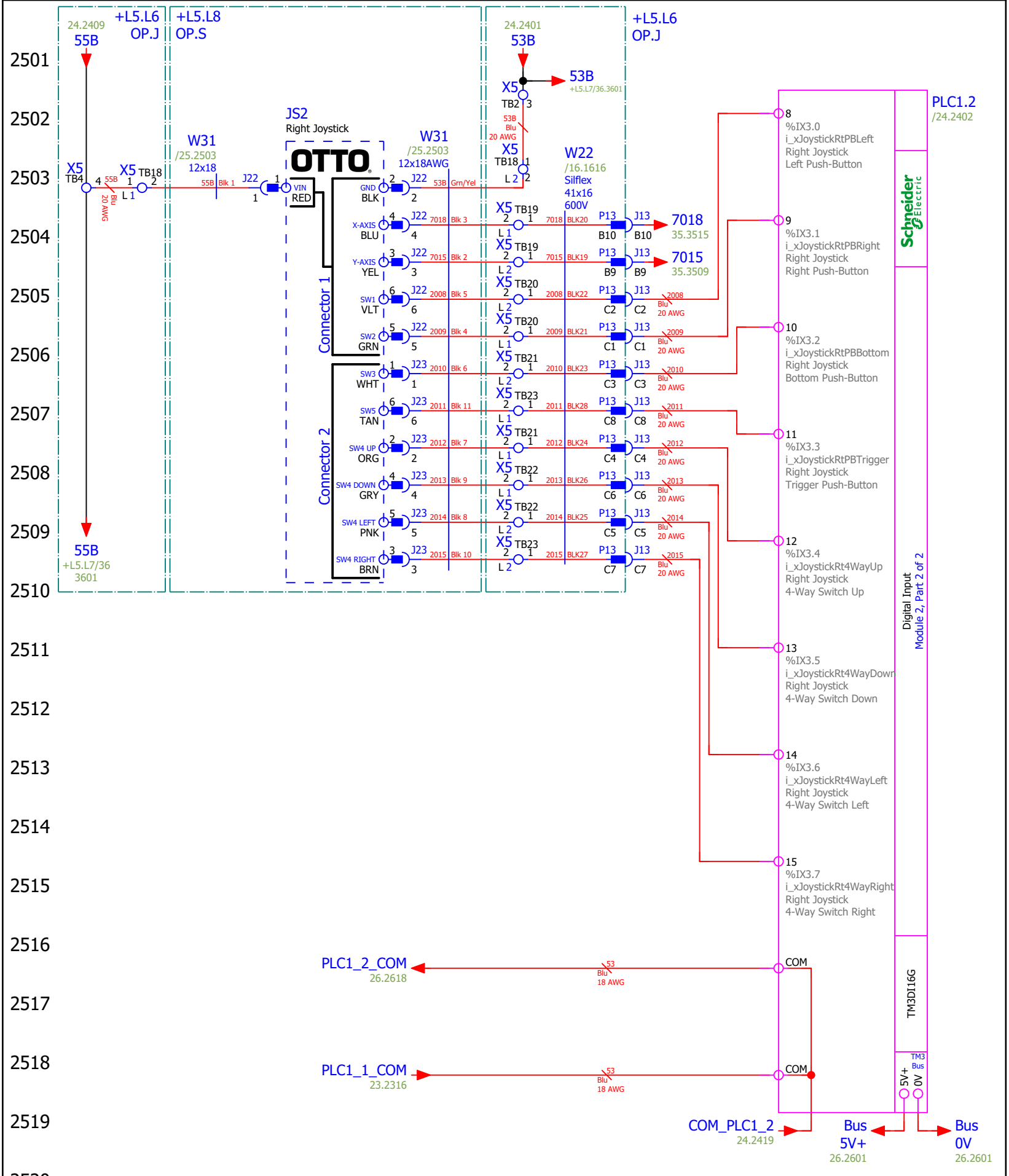


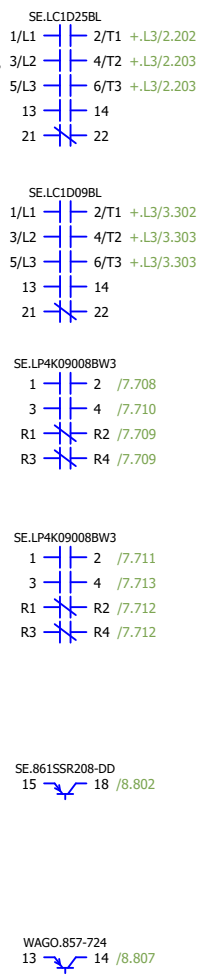
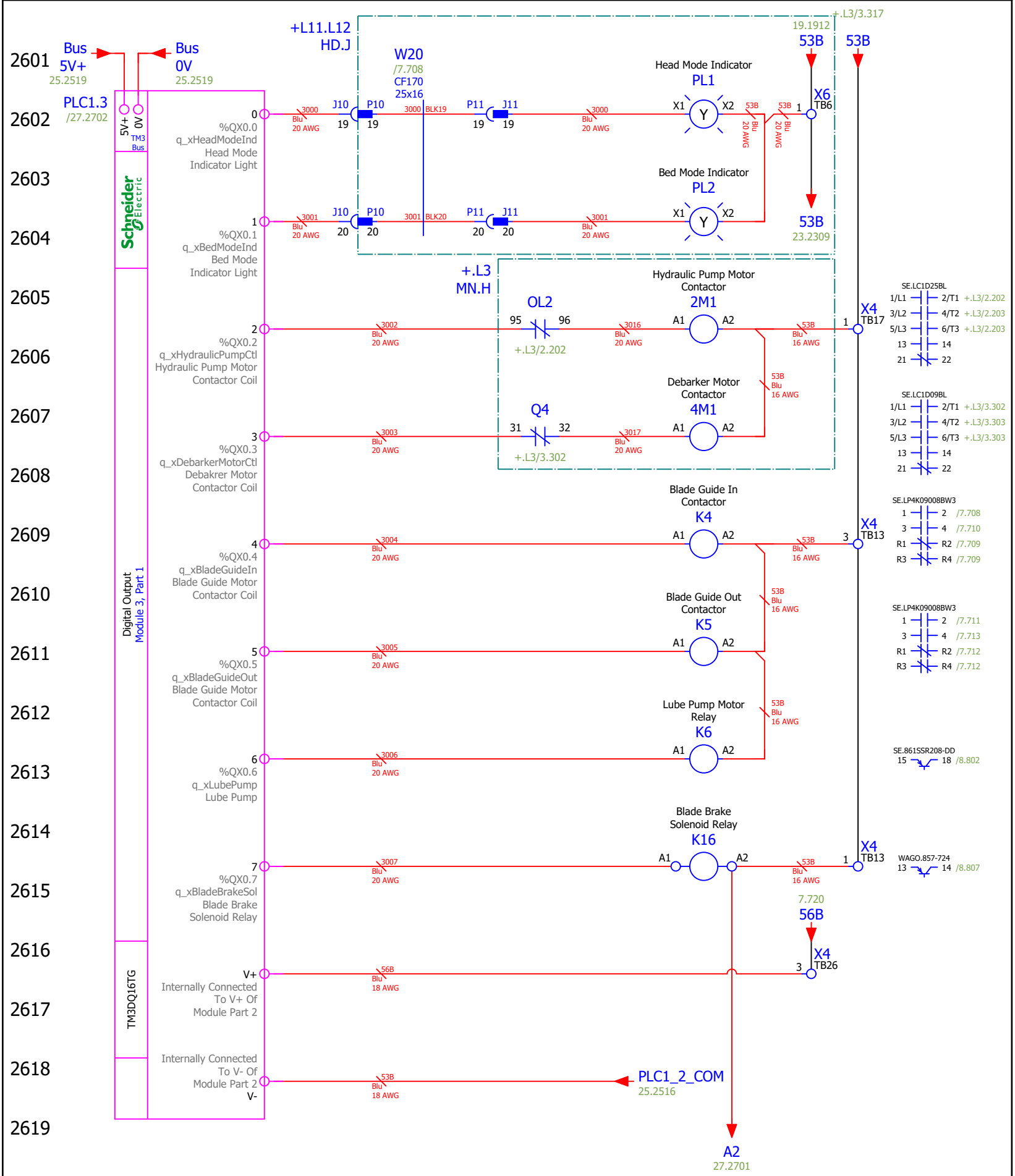


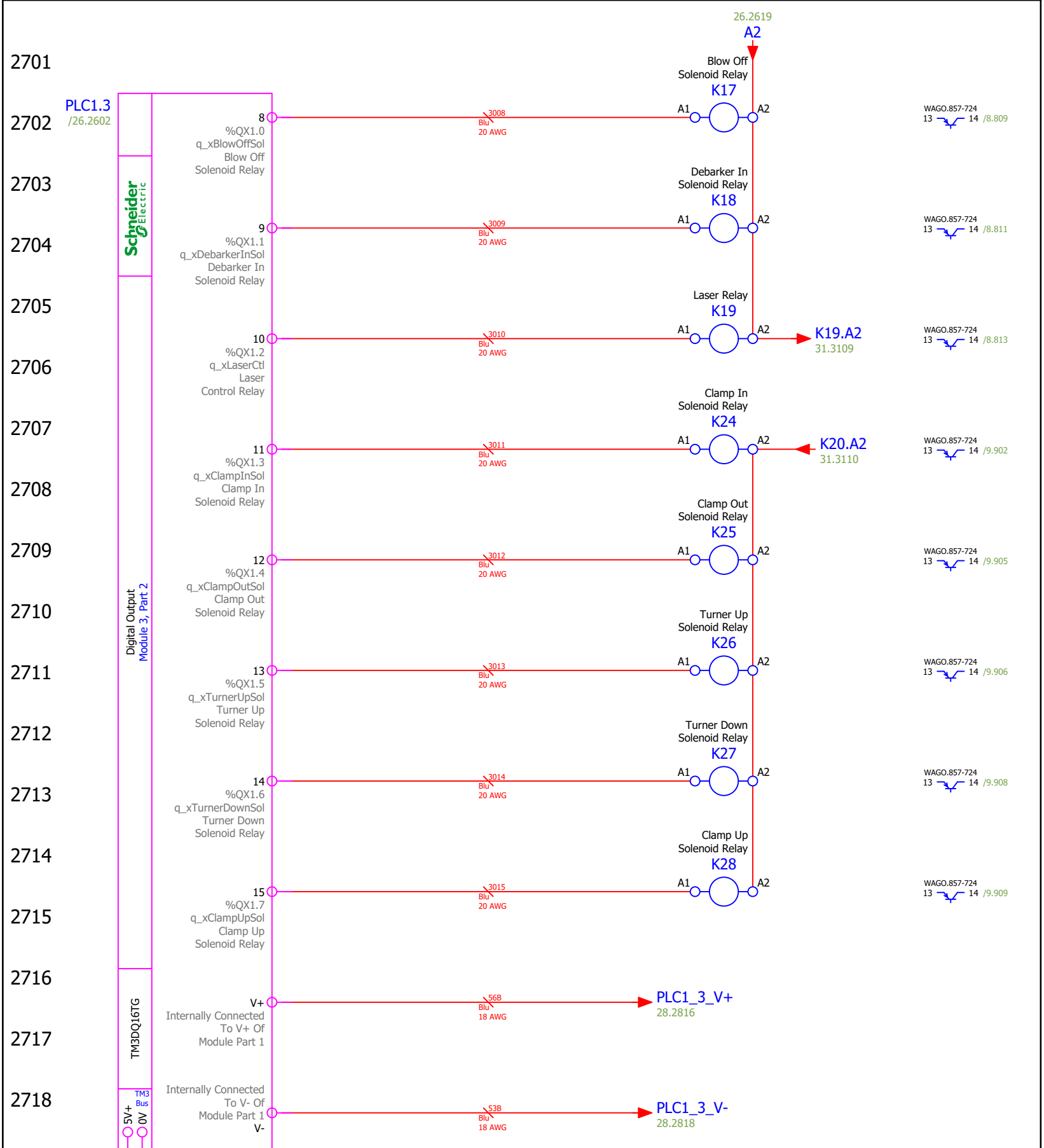


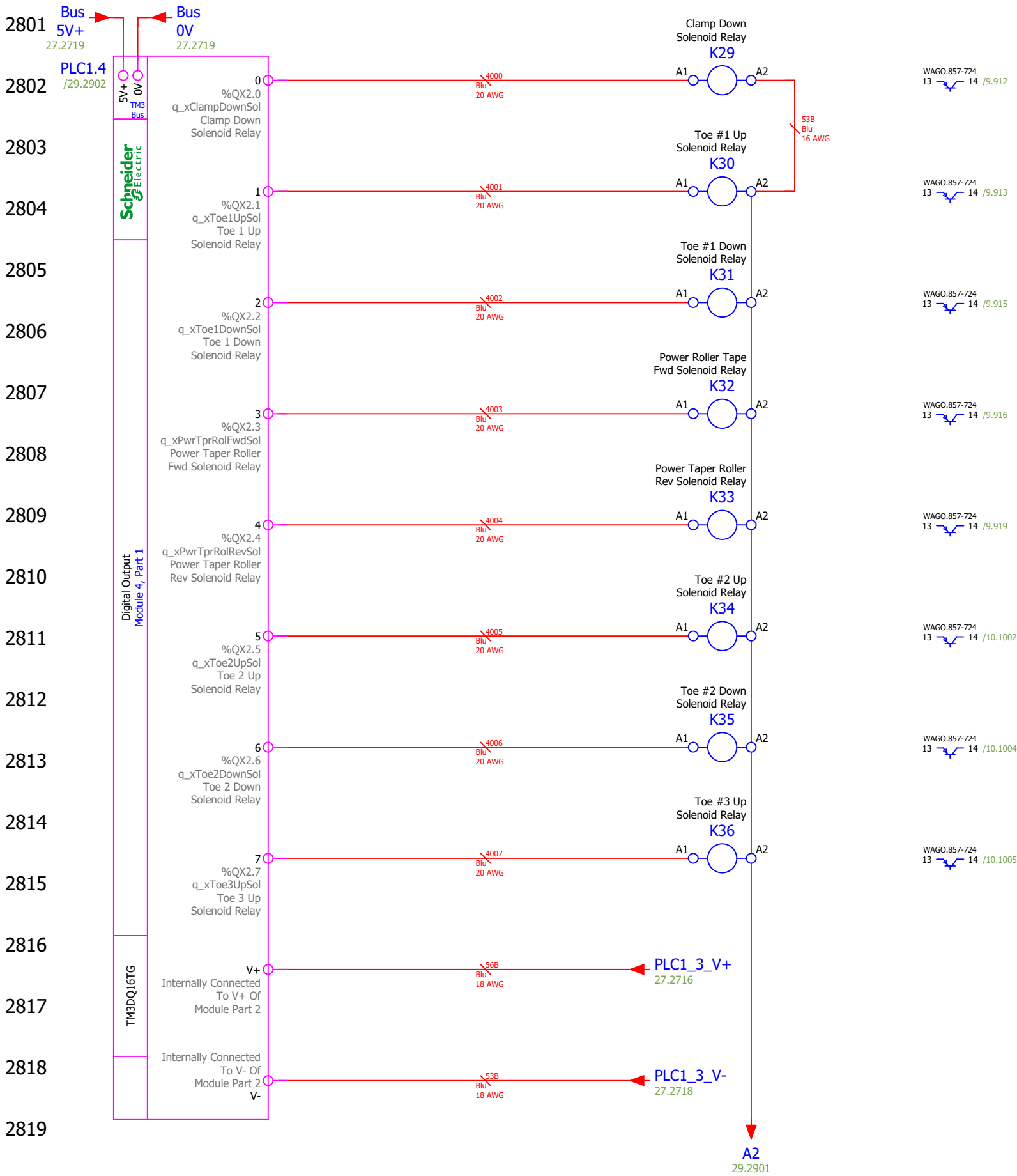




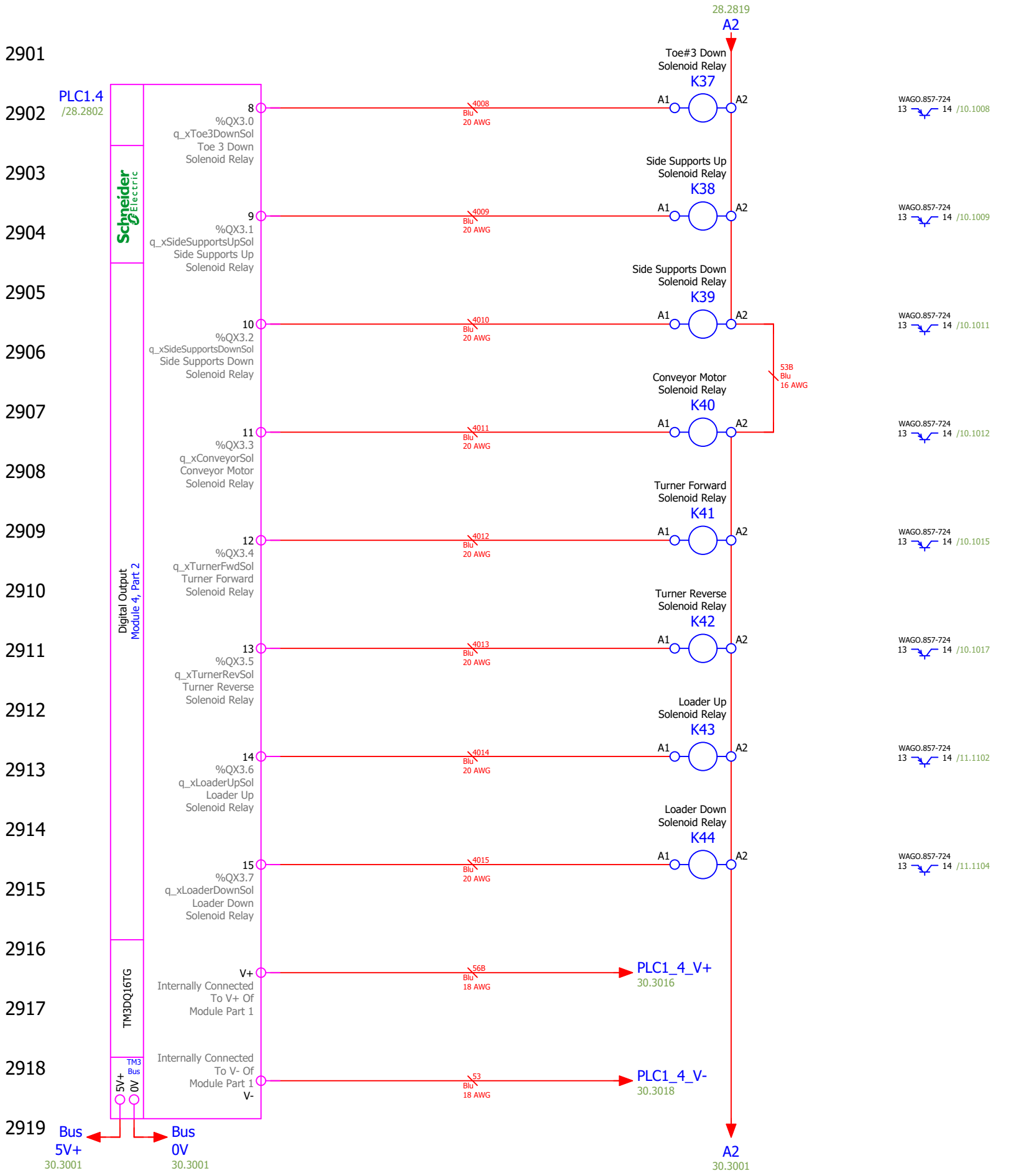


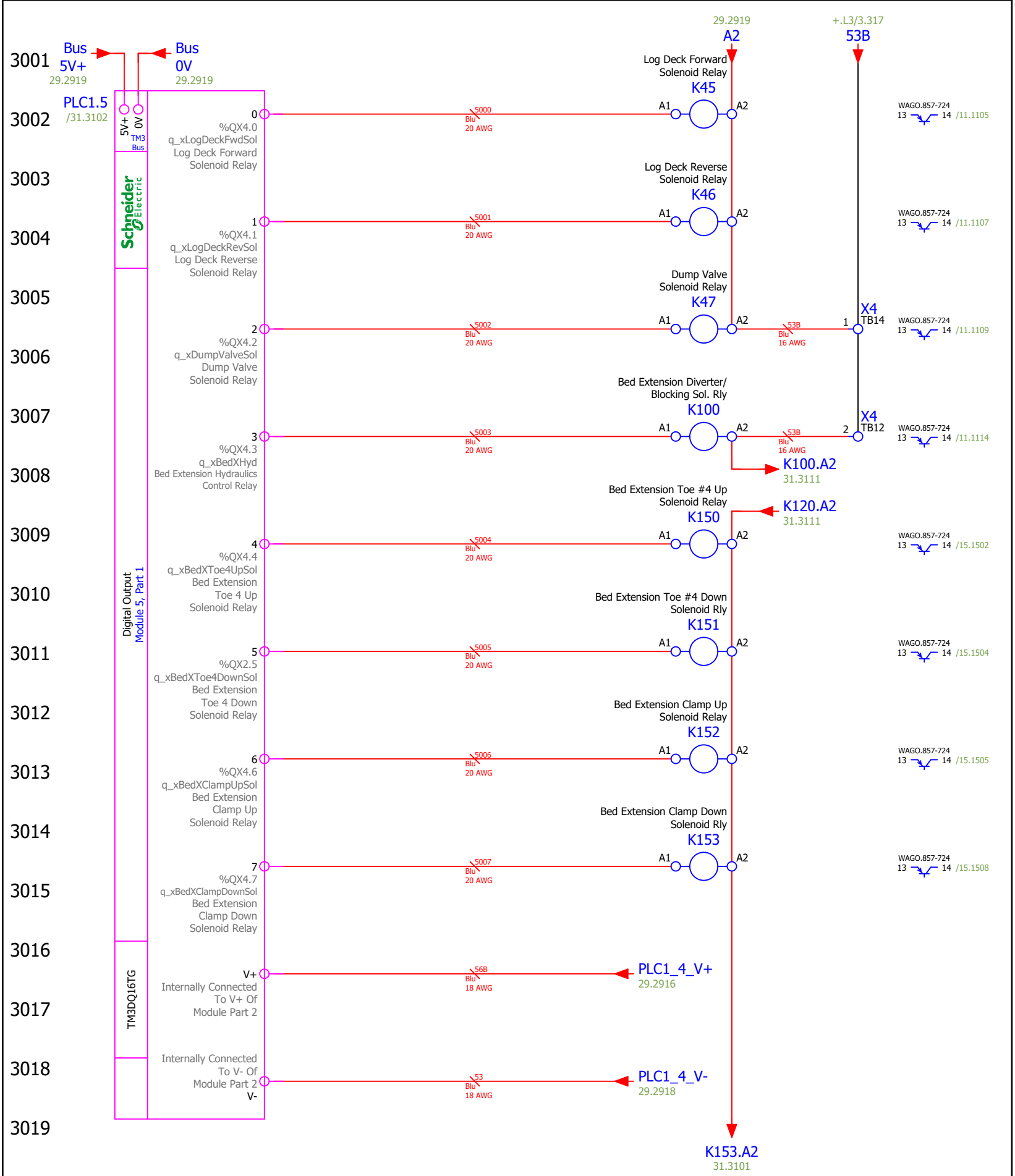












3101  
3102  
3103  
3104  
3105  
3106  
3107  
3108  
3109  
3110  
3111  
3112  
3113  
3114  
3115  
3116  
3117  
3118  
3119  
3120  
3121

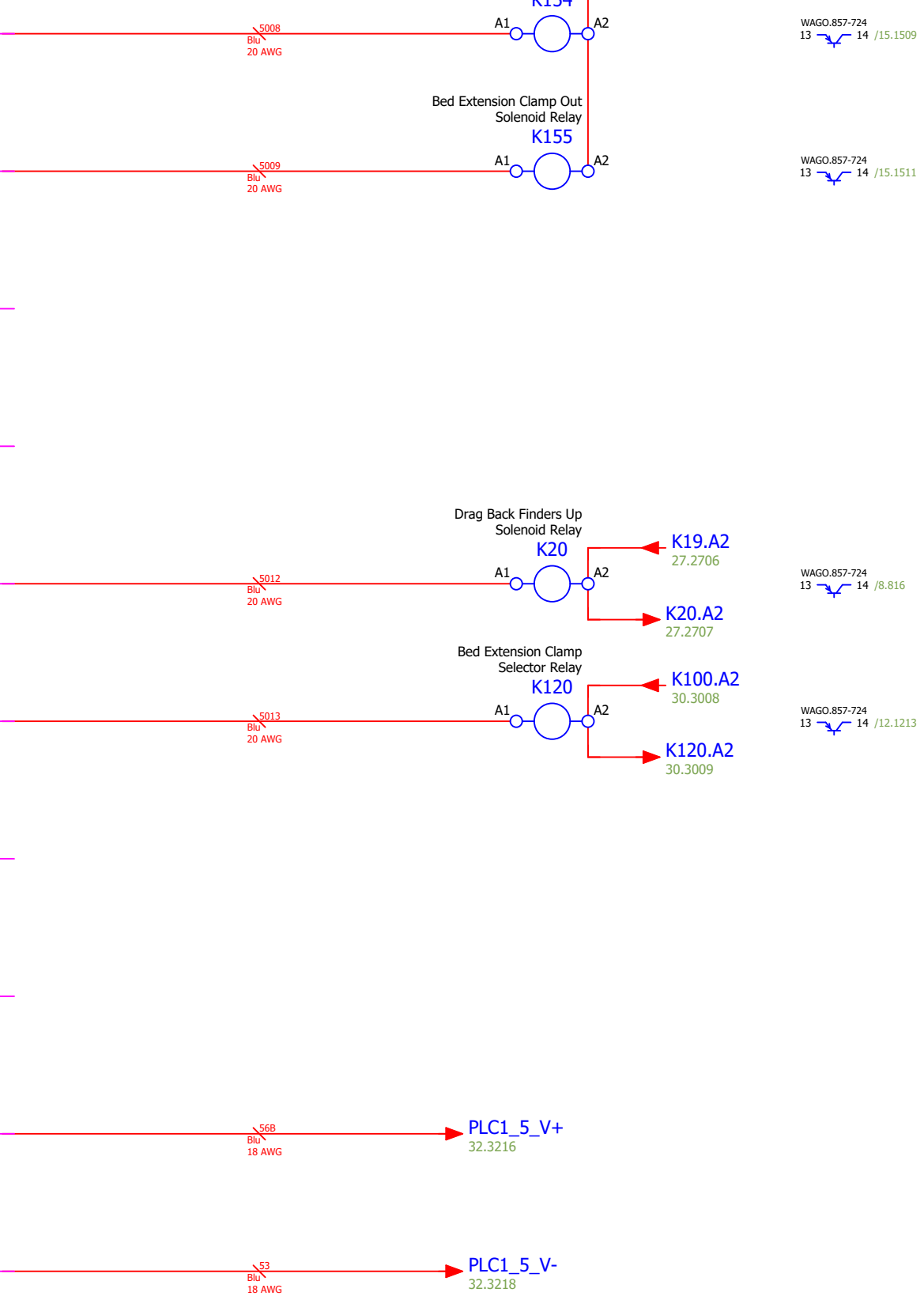
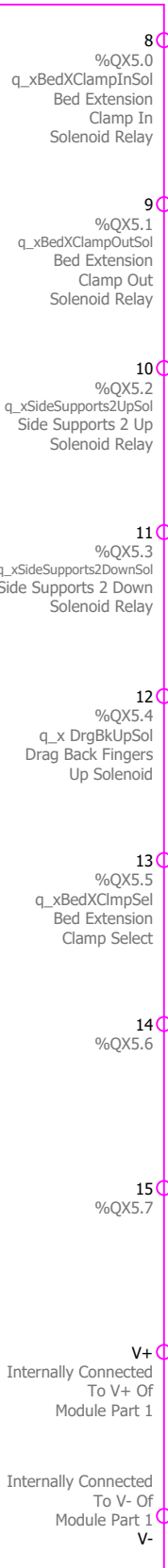
PLC1.5  
/30.3002



Digital Output  
Module 5, Part 2

TM3DQ16TG

TM3 Bus



Bus 5V+ 32.3201  
Bus 0V 32.3201

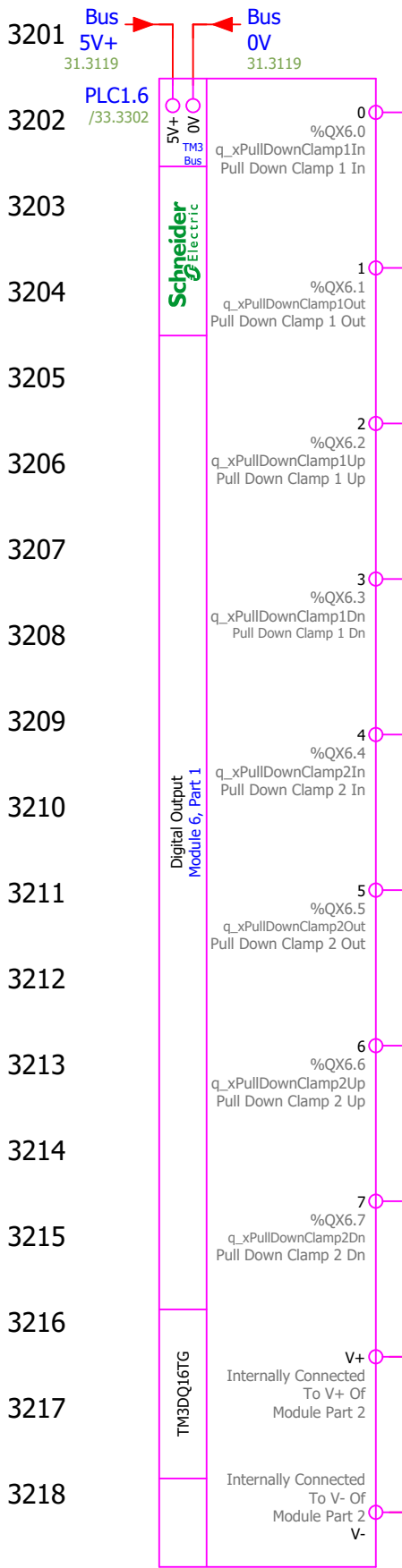
WAGO.857-724  
13 14 /15.1509

WAGO.857-724  
13 14 /15.1511

WAGO.857-724  
13 14 /8.816

WAGO.857-724  
13 14 /12.1213

<b>Wood-Mizer®</b>	
Project Description: WM4500 Bed Extension 12'	
Revision: A4.04	Pg Desc: PLC 11
Mounting Location: +L1.L4	Type: Schematic multi-line
Prev. pg: 30	Page: 31
Next pg: 32	Total Pgs: 93



56B  
Blu  
18 AWG

PLC1\_5\_V+  
31.3116

53  
Blu  
18 AWG

PLC1\_5\_V-  
31.3118

3301  
3302  
3303  
3304  
3305  
3306  
3307  
3308  
3309  
3310  
3311  
3312  
3313  
3314  
3315  
3316  
3317  
3318  
3319  
3320  
3321

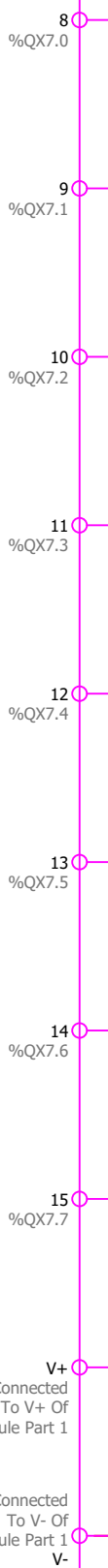
PLC1.6  
/32.3202



Digital Output  
Module 6, Part 2

TM3DQ16TG

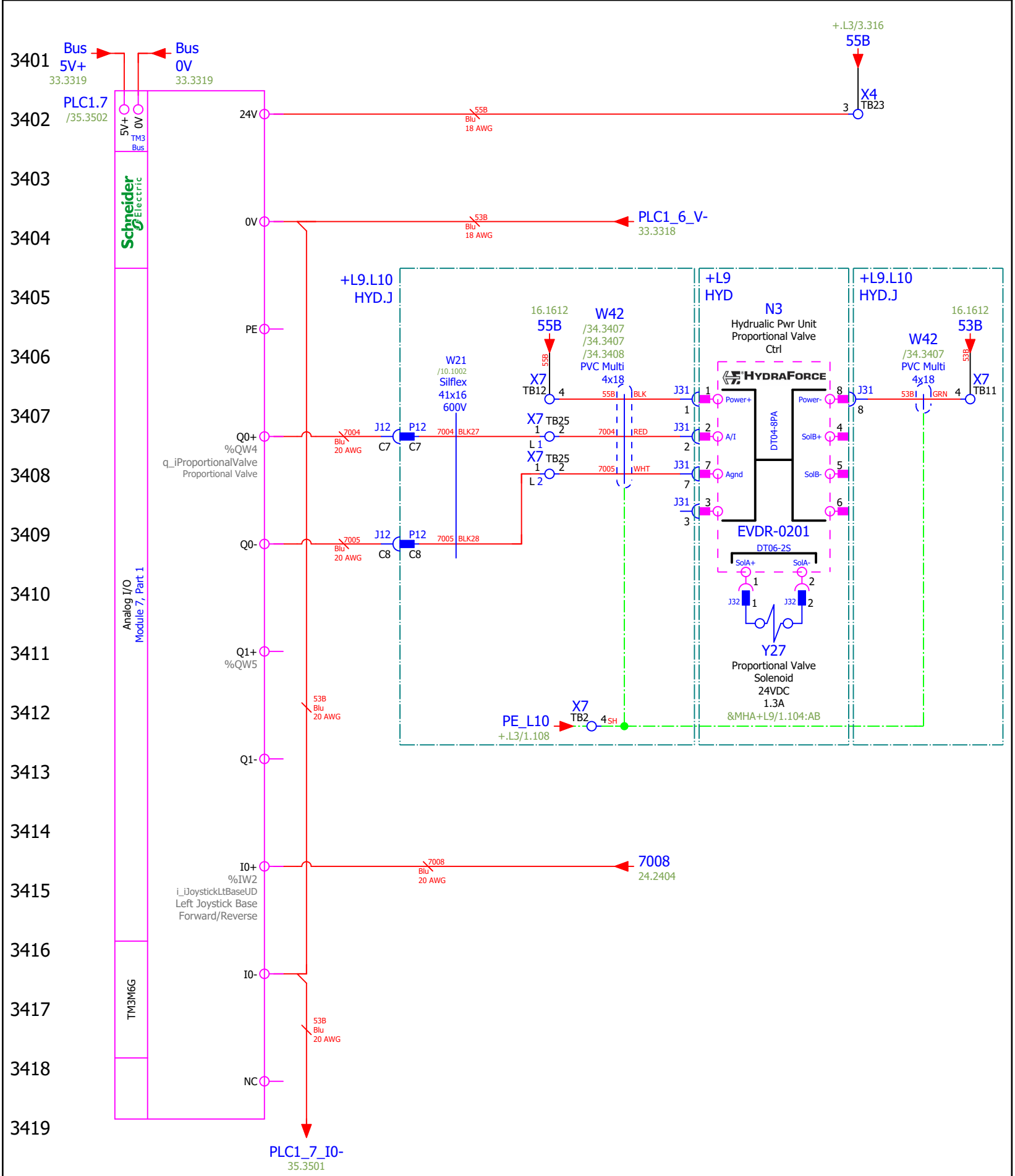
TM3 Bus

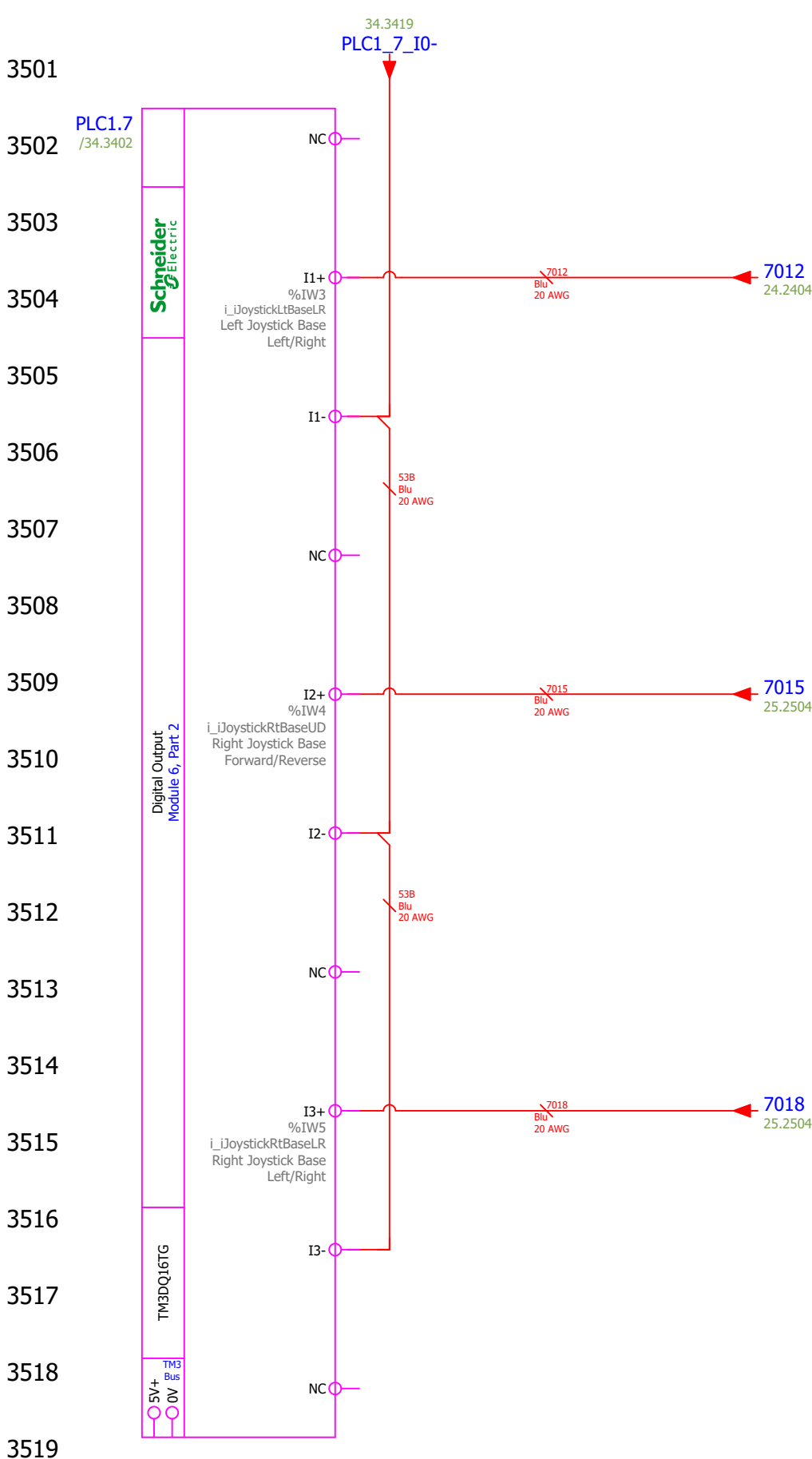


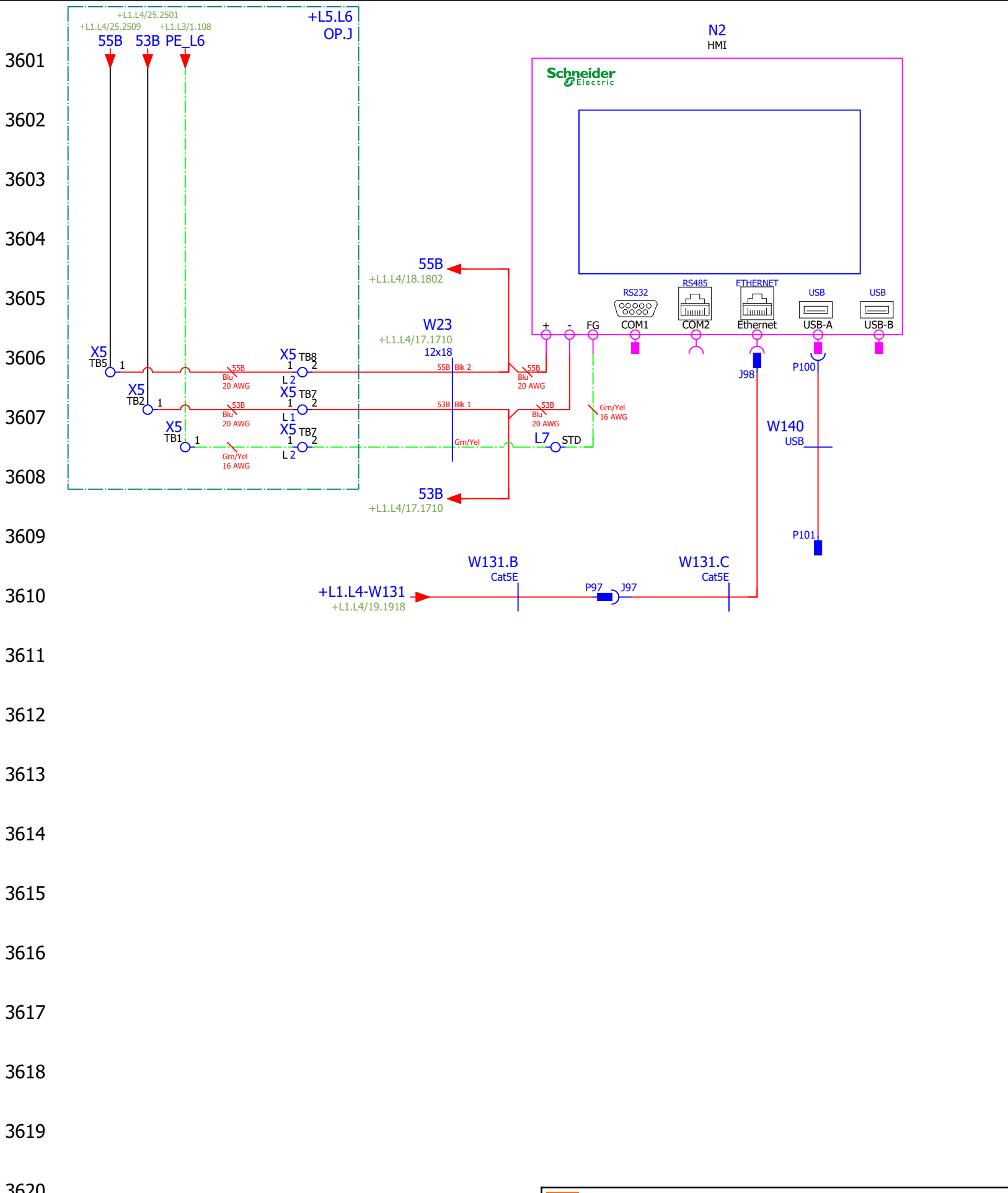
Bus 5V+ 34.3401  
Bus 0V 34.3401

PLC1\_6\_V-  
34.3404

		<b>Wood-Mizer®</b>	
Project Description: WM4500 Bed Extension 12'			
Revision:	A4.04	Pg Desc:	PLC 13
Mounting Location:	+L1.L4	Type:	Schematic multi-line
Prev. pg:	32	Page:	33
		Next pg:	34
		Total Pgs:	93








3601  
3602  
3603  
3604  
3605  
3606  
3607  
3608  
3609  
3610  
3611  
3612  
3613  
3614  
3615  
3616  
3617  
3618  
3619  
3620  
3621



# Device Tag/Parts List

WM\_PARTS\_LIST-Manual


Device tag	Function	Wood-Mizer Part Number	Wood-Mizer Description	Qty.	X-Ref
1M1	Blade Motor Bypass Contactor	052465	Contactora, 32A 3P 24VDC Coil	1	+L1.L4/16.1603
2M1	Hydraulic Pump Motor Contactor	069866	Contactora, 25A 3P 24V Low Pwr Coil	1	+L1.L4/26.2606
4M1	Debarker Motor Contactor	024890	Contactora, 9A 3P 24VDC Coil	1	+L1.L4/26.2607
CAN1	CANopen Junction Box	069930	PLC Module, CANopen Junction	1	+L1.L4/19.1903
E1	Ethernet Switch	078466	Switch, Ethernet 5 Port 24VDC	1	+L1.L4/19.1916
ENC1	Feed Position Absolute Encoder	068046	Encoder Assy, Ind. Mill Feed	1	+L1.L4/19.1911
F4	Transformer L1&L3 Fuses	068066	Fuse Holder, 2P Class CC Wire Clamps	1	+L1.L3/3.307
F4	=	069915	Fuse, 0.25A 600V KLDR Class CC	2	+L1.L3/3.307
F5	Transformer Output Fuse	068065	Fuse Holder, 1P Class CC Wire Clamps	1	+L1.L3/3.308
F5	=	069915	Fuse, 0.25A 600V KLDR Class CC	1	+L1.L3/3.308
F6	Feed Drive L1 Fuse	053717	Fuseholder, 60A Cube	1	+L1.L3/2.208
F6	=	069702	Fuse, 40A Class J Cube	1	+L1.L3/2.208
F7	Feed Drive L2 Fuse	053717	Fuseholder, 60A Cube	1	+L1.L3/2.209
F7	=	069702	Fuse, 40A Class J Cube	1	+L1.L3/2.209
F8	Feed Drive L3 Fuse	053717	Fuseholder, 60A Cube	1	+L1.L3/2.209
F8	=	069702	Fuse, 40A Class J Cube	1	+L1.L3/2.209
F9	Power Supply 1 L1&L3 Fuses	068066	Fuse Holder, 2P Class CC Wire Clamps	1	+L1.L3/3.311
F9	=	052381	Fuse, 8A 600V Class CC Delay	2	+L1.L3/3.311
F10	Power Supply 2 L1&L3 Fuses	068066	Fuse Holder, 2P Class CC Wire Clamps	1	+L1.L3/3.316
F10	=	052713	Fuse, 4A 600V Calss CC Delay	2	+L1.L3/3.316
F11	Hydraulic Pump Motor L1 Fuse	053736	Fuseholder, Cube 30A	1	+L1.L3/2.202
F11	=	053737	Fuse, 30A Class J Cube	1	+L1.L3/2.202
F12	Hydraulic Pump Motor L2 Fuse	053736	Fuseholder, Cube 30A	1	+L1.L3/2.203
F12	=	053737	Fuse, 30A Class J Cube	1	+L1.L3/2.203
F13	Hydraulic Pump Motor L3 Fuse	053736	Fuseholder, Cube 30A	1	+L1.L3/2.203
F13	=	053737	Fuse, 30A Class J Cube	1	+L1.L3/2.203
F14	Up/Down Servo Drive L1 Fuse	053736	Fuseholder, Cube 30A	1	+L1.L3/2.216
F14	=	053737	Fuse, 30A Class J Cube	1	+L1.L3/2.216
F15	Up/Down Servo Drive L2 Fuse	053736	Fuseholder, Cube 30A	1	+L1.L3/2.217
F15	=	053737	Fuse, 30A Class J Cube	1	+L1.L3/2.217
F16	Up/Down Servo Drive L3 Fuse	053736	Fuseholder, Cube 30A	1	+L1.L3/2.218
F16	=	053737	Fuse, 30A Class J Cube	1	+L1.L3/2.218
F17	Blade Motor L1 Fuse	053586	Fuseholder, 100A Cube	1	+L1.L3/1.117
F17	=	069708	Fuse, 60A Class J Cube	1	+L1.L3/1.117
F18	Blade Motor L2 Fuse	053586	Fuseholder, 100A Cube	1	+L1.L3/1.116
F18	=	069708	Fuse, 60A Class J Cube	1	+L1.L3/1.116
F19	Blade Motor L3 Fuse	053586	Fuseholder, 100A Cube	1	+L1.L3/1.116
F19	=	069708	Fuse, 60A Class J Cube	1	+L1.L3/1.116
G1	DC Motor/ Solenoids Power Supply	078012	Power Supply, 24VDC 20A 200-500V	1	+L1.L3/3.310
G2	Control Power Supply	078193	Power Supply, 24VDC 10A 200-500V	1	+L1.L3/3.315
HM1	Blade Motor Hour Meter	P09631	Meter, Hour	1	+L1.L4/16.1607
JS1	Left Joystick	078360	Joystick, 4-Button w/4-Way Switch	1	+L1.L4/24.2402
JS2	Right Joystick	078360	Joystick, 4-Button w/4-Way Switch	1	+L1.L4/25.2502
K1	Isolation Contactor	069886	Contactora, 11.5A 3P 24VDC Coil	1	+L1.L4/16.1602
K2	Aux. E-Stop Control	101241	Contactora, 9A 3P 24VDC 1NO	1	+L1.L4/18.1802
K4	Blade Guide In Contactor	024910	Contactora, 9A 2NC 2NO 24VDC Reversing	1	+L1.L4/26.2609
K5	Blade Guide Out Contactor	024910	Contactora, 9A 2NC 2NO 24VDC Reversing	1	+L1.L4/26.2611
K6	Lube Pump Motor Relay	069943	Relay, Solid State 8A DIN	1	+L1.L4/26.2613
K16	Blade Brake Solenoid Relay	068212	Relay, Solid State 2A 24VDC Coil Cage Clamp Base	1	+L1.L4/26.2615
K17	Blow Off Solenoid Relay	068212	Relay, Solid State 2A 24VDC Coil Cage Clamp Base	1	+L1.L4/27.2702
K18	Debarker In Solenoid Relay	068212	Relay, Solid State 2A 24VDC Coil Cage Clamp Base	1	+L1.L4/27.2704
K19	Laser Relay	068212	Relay, Solid State 2A 24VDC Coil Cage Clamp Base	1	+L1.L4/27.2706
K20	Drag Back Finders Up Solenoid Relay	068212	Relay, Solid State 2A 24VDC Coil Cage Clamp Base	1	+L1.L4/31.3109
K24	Clamp In Solenoid Relay	068212	Relay, Solid State 2A 24VDC Coil Cage Clamp Base	1	+L1.L4/27.2707
K25	Clamp Out Solenoid Relay	068212	Relay, Solid State 2A 24VDC Coil Cage Clamp Base	1	+L1.L4/27.2709
K26	Turner Up Solenoid Relay	068212	Relay, Solid State 2A 24VDC Coil Cage Clamp Base	1	+L1.L4/27.2711
K27	Turner Down Solenoid Relay	068212	Relay, Solid State 2A 24VDC Coil Cage Clamp Base	1	+L1.L4/27.2713

		<b>Wood-Mizer®</b>	
Project Description: WM4500 Bed Extension 12'			
Revision:	A4.04	Pg Desc: Parts list	
Mounting Location:	+Docs	Type: Parts list	
Prev. pg:	+L5.L7/36	Page:	C1
		Next pg:	C2
		Total Pgs:	93

# Device Tag/Parts List

WM\_PARTS\_LIST-Manual


Device tag	Function	Wood-Mizer Part Number	Wood-Mizer Description	Qty.	X-Ref
K28	Clamp Up Solenoid Relay	068212	Relay, Solid State 2A 24VDC Coil Cage Clamp Base	1	+L1.L4/27.2715
K29	Clamp Down Solenoid Relay	068212	Relay, Solid State 2A 24VDC Coil Cage Clamp Base	1	+L1.L4/28.2802
K30	Toe #1 Up Solenoid Relay	068212	Relay, Solid State 2A 24VDC Coil Cage Clamp Base	1	+L1.L4/28.2804
K31	Toe #1 Down Solenoid Relay	068212	Relay, Solid State 2A 24VDC Coil Cage Clamp Base	1	+L1.L4/28.2806
K32	Power Roller Tape Fwd Solenoid Relay	068212	Relay, Solid State 2A 24VDC Coil Cage Clamp Base	1	+L1.L4/28.2807
K33	Power Taper Roller Rev Solenoid Relay	068212	Relay, Solid State 2A 24VDC Coil Cage Clamp Base	1	+L1.L4/28.2809
K34	Toe #2 Up Solenoid Relay	068212	Relay, Solid State 2A 24VDC Coil Cage Clamp Base	1	+L1.L4/28.2811
K35	Toe #2 Down Solenoid Relay	068212	Relay, Solid State 2A 24VDC Coil Cage Clamp Base	1	+L1.L4/28.2813
K36	Toe #3 Up Solenoid Relay	068212	Relay, Solid State 2A 24VDC Coil Cage Clamp Base	1	+L1.L4/28.2815
K37	Toe#3 Down Solenoid Relay	068212	Relay, Solid State 2A 24VDC Coil Cage Clamp Base	1	+L1.L4/29.2902
K38	Side Supports Up Solenoid Relay	068212	Relay, Solid State 2A 24VDC Coil Cage Clamp Base	1	+L1.L4/29.2904
K39	Side Supports Down Solenoid Relay	068212	Relay, Solid State 2A 24VDC Coil Cage Clamp Base	1	+L1.L4/29.2906
K40	Conveyor Motor Solenoid Relay	068212	Relay, Solid State 2A 24VDC Coil Cage Clamp Base	1	+L1.L4/29.2907
K41	Turner Forward Solenoid Relay	068212	Relay, Solid State 2A 24VDC Coil Cage Clamp Base	1	+L1.L4/29.2909
K42	Turner Reverse Solenoid Relay	068212	Relay, Solid State 2A 24VDC Coil Cage Clamp Base	1	+L1.L4/29.2911
K43	Loader Up Solenoid Relay	068212	Relay, Solid State 2A 24VDC Coil Cage Clamp Base	1	+L1.L4/29.2913
K44	Loader Down Solenoid Relay	068212	Relay, Solid State 2A 24VDC Coil Cage Clamp Base	1	+L1.L4/29.2915
K45	Log Deck Forward Solenoid Relay	068212	Relay, Solid State 2A 24VDC Coil Cage Clamp Base	1	+L1.L4/30.3002
K46	Log Deck Reverse Solenoid Relay	068212	Relay, Solid State 2A 24VDC Coil Cage Clamp Base	1	+L1.L4/30.3004
K47	Dump Valve Solenoid Relay	068212	Relay, Solid State 2A 24VDC Coil Cage Clamp Base	1	+L1.L4/30.3006
K100	Bed Extension Diverter/ Blocking Sol. Rly	068212	Relay, Solid State 2A 24VDC Coil Cage Clamp Base	1	+L1.L4/30.3007
K101	Bed Ext Turner Fwd/ Rev Diverter Relay	068212	Relay, Solid State 2A 24VDC Coil Cage Clamp Base	1	+L1.L4/11.1114
K102	Bed Ext Turner Fwd/ Rev Blocking Relay	068212	Relay, Solid State 2A 24VDC Coil Cage Clamp Base	1	+L1.L4/11.1115
K103	Bed Ext Side Support Up/Dn Diverter Rly	068212	Relay, Solid State 2A 24VDC Coil Cage Clamp Base	1	+L1.L4/11.1117
K104	Bed Ext Side Support Up/Dn Blocking Rly	068212	Relay, Solid State 2A 24VDC Coil Cage Clamp Base	1	+L1.L4/11.1118
K105	Bed Ext Turner Up/Dn Diverter Relay	068212	Relay, Solid State 2A 24VDC Coil Cage Clamp Base	1	+L1.L4/12.1202
K106	Bed Ext Pwr Taper Fwd/Rev Diverter Rly	068212	Relay, Solid State 2A 24VDC Coil Cage Clamp Base	1	+L1.L4/12.1203
K107	Bed Ext Pwr Taper Fwd/Rev Blocking Rly	068212	Relay, Solid State 2A 24VDC Coil Cage Clamp Base	1	+L1.L4/12.1205
K108	Bed Ext Loader Up/Dn Diverter Relay	068212	Relay, Solid State 2A 24VDC Coil Cage Clamp Base	1	+L1.L4/12.1206
K109	Bed Ext Loader Up/Dn Blocking Relay	068212	Relay, Solid State 2A 24VDC Coil Cage Clamp Base	1	+L1.L4/12.1208
K110	Bed Ext Log Deck Fwd/Rev Diverter Rly	068212	Relay, Solid State 2A 24VDC Coil Cage Clamp Base	1	+L1.L4/12.1209
K111	Bed Ext Log Deck Fwd/Rev Blocking Rly	068212	Relay, Solid State 2A 24VDC Coil Cage Clamp Base	1	+L1.L4/12.1211
K112	Bed Ext Clamp Up Diverter Solenoid	068212	Relay, Solid State 2A 24VDC Coil Cage Clamp Base	1	+L1.L4/12.1213
K113	Bed Ext Clamp Down Diverter Solenoid	068212	Relay, Solid State 2A 24VDC Coil Cage Clamp Base	1	+L1.L4/12.1214
K114	Bed Ext Clamp In Diverter Solenoid	068212	Relay, Solid State 2A 24VDC Coil Cage Clamp Base	1	+L1.L4/12.1216
K115	Bed Ext Clamp Out Diverter Solenoid	068212	Relay, Solid State 2A 24VDC Coil Cage Clamp Base	1	+L1.L4/12.1217
K120	Bed Extension Clamp Selector Relay	068212	Relay, Solid State 2A 24VDC Coil Cage Clamp Base	1	+L1.L4/31.3111
K150	Bed Extension Toe #4 Up Solenoid Relay	068212	Relay, Solid State 2A 24VDC Coil Cage Clamp Base	1	+L1.L4/30.3009
K151	Bed Extension Toe #4 Down Solenoid Rly	068212	Relay, Solid State 2A 24VDC Coil Cage Clamp Base	1	+L1.L4/30.3011
K152	Bed Extension Clamp Up Solenoid Relay	068212	Relay, Solid State 2A 24VDC Coil Cage Clamp Base	1	+L1.L4/30.3013
K153	Bed Extension Clamp Down Solenoid Rly	068212	Relay, Solid State 2A 24VDC Coil Cage Clamp Base	1	+L1.L4/30.3015
K154	Bed Extension Clamp In Solenoid Relay	068212	Relay, Solid State 2A 24VDC Coil Cage Clamp Base	1	+L1.L4/31.3102
K155	Bed Extension Clamp Out Solenoid Relay	068212	Relay, Solid State 2A 24VDC Coil Cage Clamp Base	1	+L1.L4/31.3104
LAS1	Laser	068035	Laser, 5mW 532nm 90 Deg Line Z-Laser Grn	1	+L1.L4/8.813
M1	Blade Motor	042301	Motor, 30HP 1800RPM	1	+L1.L3/1.115
M2	Hydraulic Pump Motor	078670	Motor, 15HP 230/460 3PH 60Hz	1	+L1.L3/2.202
M3	Feed Motor	115152	Motor, 5HP 3P 230/460 184TC	1	+L1.L3/2.208
M4	Up/Down Servo Motor	068038	Motor, Servo 100mm IP54 Encoder	1	+L1.L3/2.213
M5	Debarker Motor	050292	Motor, 3/4HP 230/460 3P 1725RPM DB LT60	1	+L1.L3/3.302
M6	Blade Guide Motor	035659	Motor Assy, 24V 60 RPM Gear	1	+L1.L4/7.716
MCR1	Master Control Relay	051322	Contact, 25A 3P 24VDC Coil	1	+L1.L4/17.1716
N2	HMI	078794	HMI Assy, Ind. Mill	1	+L5.L7/36.3601
N3	Hydraulic Pwr Unit Proportional Valve Ctrl	068277	Driver Assy, Prop Valve 8 Pin A2.00+	1	+L1.L4/34.3406
OL2	Hydraulic Pump Motor Overload	069885	Overload, 16-24A Class 10 Single Ph Sens	1	+L1.L3/2.202
PB1	E-Stop	068940	Pushbutton Head, 22mm E-Stop Twist-Pull	1	+L1.L4/17.1710
PB1	=	068950	Collar, Mount 1NC ZB5	1	+L1.L4/17.1710
PB1	=	068921	Contact Block, NC ZB5	1	+L1.L4/17.1710

		<b>Wood-Mizer®</b>	
Project Description: WM4500 Bed Extension 12'			
Revision:	A4.04	Pg Desc: Parts list	
Mounting Location:	+Docs	Type: Parts list	
Prev. pg:	C1	Page:	C2
		Next pg:	C3
		Total Pgs:	93

# Device Tag/Parts List

WM\_PARTS\_LIST-Manual

Device tag	Function	Wood-Mizer Part Number	Wood-Mizer Description	Qty.	X-Ref
PB2	Blade Brake Manual Override Push-Button	068950	Collar, Mount 1NC ZB5	1	+L1.L4/8.807
PB2	=	068920	Contact Block, NO ZB5	1	+L1.L4/8.807
PBL1	Control Power On PB	068952	Collar, Mount 1NO ZB5	1	+L1.L4/17.1710
PBL1	=	052503	Switch Head, PB Green Flush Illum ZB5	1	+L1.L4/17.1710
PBL1	=	068910	Light Module, Green ZB5	1	+L1.L4/17.1710
PL1	Head Mode Indicator	068912	Light Module, White ZB5	1	+L1.L4/26.2602
PL1	=	068931	Pilot Light, Yellow ZB5	1	+L1.L4/26.2602
PL1	=	068951	Switch Collar, Mount ZB5	1	+L1.L4/26.2602
PL2	Bed Mode Indicator	068912	Light Module, White ZB5	1	+L1.L4/26.2604
PL2	=	068931	Pilot Light, Yellow ZB5	1	+L1.L4/26.2604
PL2	=	068951	Switch Collar, Mount ZB5	1	+L1.L4/26.2604
PLC1	PLC	078783	PLC Assy, Ind. Mill M251	1	+L1.L4/21.2101
PLC1	=	078782	PLC Assy, Ind. Mill CPU	1	+L1.L4/21.2101
PLC1.1	Digital Input	078491	Input Module, Spring Clamp 16Pt Digital	1	+L1.L4/22.2202
PLC1.2	=	078491	Input Module, Spring Clamp 16Pt Digital	1	+L1.L4/24.2402
PLC1.3	Digital Output	078492	Output Module, TM3 16Pt. Transistor	1	+L1.L4/26.2602
PLC1.4	=	078492	Output Module, TM3 16Pt. Transistor	1	+L1.L4/28.2802
PLC1.5	=	078492	Output Module, TM3 16Pt. Transistor	1	+L1.L4/30.3002
PLC1.6	=	078492	Output Module, TM3 16Pt. Transistor	1	+L1.L4/32.3202
PLC1.7	Analog I/O	078648	Analog Module, TM3 4I/2O	1	+L1.L4/34.3402
PRX1	Blade Broken Prox	051439	Sensor, Ind Prox M12 PNP NS Ex	1	+L1.L4/23.2310
PRX2	Ball Nut Prox	051439	Sensor, Ind Prox M12 PNP NS Ex	1	+L1.L4/23.2313
PS1	Blade Tension Pressure Switch	045207	Switch, Limit Pressure 60 PSI	1	+L1.L4/23.2306
PS2	Blade Brake Released Pressure Switch	045207	Switch, Limit Pressure 60 PSI	1	+L1.L4/23.2307
Q1	Main Disconnect	078506	Disconnect, 200A 3Ph Non-Fused	1	+L1.L3/1.101
Q2	Blade Guide Motor Breaker	051915	Breaker, 3A 1P MG24502	1	+L1.L4/7.708
Q3	Lube Pump Motor Breaker	051915	Breaker, 3A 1P MG24502	1	+L1.L4/8.802
Q4	Debarker Motor	068097	Motor Protector, 1.0-1.6 Manual	1	+L1.L3/3.302
Q4	=	068199	Motor Protector, Aux Contacts 1NO 1NC	1	+L1.L3/3.302
Q4	=	068098	Motor Protector, Line Side Barrier	1	+L1.L3/3.302
Q4	=	068099	Motor Protector, Interconnect LC1D09-25	1	+L1.L3/3.302
R1	Feed Drive Braking Resistor	078784	Resistor Assy, Ind. Mill Feed	1	+L1.L3/2.206
R2	Up/Down Drive Bracking Resistor	068161	Resistor Assy, Ind. Mill Up/Dn	1	+L1.L3/2.212
-R3	Modbus Network Terminating Resistor	112808	Resistor, Modbus Term. RJ45 120ohm	1	+L1.L3/4.416
SD1		078781	Drive Assy, Ind. Mill Up/Down	1	+L1.L3/2.211
SS2	Key Switch	068950	Collar, Mount 1NC ZB5	1	+L1.L4/22.2204
SS2	=	068920	Contact Block, NO ZB5	1	+L1.L4/22.2204
SS2	=	068941	Switch, Key 3Pos Mom R-C	1	+L1.L4/22.2204
SSD1	Blade Motor Soft-Start Power	069933-A1	Drive Assy, Ind. Mill Blade	1	+L1.L3/1.112
SW1	Seat Switch	069737	Switch, Seat 2 NO Contacts	1	+L1.L4/17.1705
SW2	Auto-Cut Foot Switch	052789	Switch, Foot Single Lever IP68	1	+L1.L4/23.2302
T1	Soft-Start Control Transformer	069909	Transformer, 0.05kVA 240x480P 120/240S	1	+L1.L3/3.307
VFD1	Feed Drive Power	078780	Drive Assy, Ind. Mill Feed	1	+L1.L3/2.205
X1.1	1L1 Distribution Block	069908	Distribution Block, 1P 1in 4out 175A DIN	1	+L1.L3/3.305
X1.2	1L3 Distribution Block	069908	Distribution Block, 1P 1in 4out 175A DIN	1	+L1.L3/3.305
X1.3	2L1 Distribution Block	069801	Distribution Block, 1P 1in 6out 380A DIN	1	+L1.L3/1.107
X1.4	2L2 Distribution Block	069801	Distribution Block, 1P 1in 6out 380A DIN	1	+L1.L3/1.107
X1.5	2L3 Distribution Block	069801	Distribution Block, 1P 1in 6out 380A DIN	1	+L1.L3/1.107
X1.6	1L1 Distribution Block	069872	Distribution Block, 1P 2in 2out 620A DIN	1	+L1.L3/1.101
X1.7	1L3 Distribution Block	069872	Distribution Block, 1P 2in 2out 620A DIN	1	+L1.L3/1.103
X3.1	Ground Distribution Block	025203	Bar, Grounding 14 Circuit W/Lug	1	+L1.L3/1.107
Y27	Proportional Valve Solenoid	068258	Valve, Proportional Coil PV72-30A	1	+L1.L4/34.3411
Y50	Lube Solenoid	051432	Valve, Solenoid 1/4 NPT Water NC 2 Way	1	+L1.L4/8.802

		<b>Wood-Mizer®</b>	
Project Description: WM4500 Bed Extension 12'			
Revision:	A4.04	Pg Desc:	Parts list
Mounting Location:	+Docs	Type:	Parts list
Prev. pg:	C2	Page:	C3
Next pg:	D1	Total Pgs:	93

# Terminal line-up diagram

## Terminal strip +L1.L3-X2

Terminal				Jumper		End Plate	Remark	Terminal X-Ref
Ref. Des.	Level	P/N	Description	Diagram	P/N	P/N		
TB1	0	068106	Terminal Block, 2Pos 4mm Clamp	⋮				&MEA+.L4/22.09
TB2	0	068106	Terminal Block, 2Pos 4mm Clamp	⋮		068108		&MEA+.L4/22.09
TB3	0	068106	Terminal Block, 2Pos 4mm Clamp	●				&MEA+.L4/22.11
TB4	0	068106	Terminal Block, 2Pos 4mm Clamp	●		068108		&MEA+.L4/22.11

# Terminal line-up diagram

## Terminal strip +L1.L4-X4


Terminal				Jumper		End Plate	Remark	Terminal X-Ref
Ref. Des.	Level	P/N	Description	Diagram	P/N	P/N		
TB3	0	068104	Terminal Block, 4Pos 1.5mm GND Clamp					&MEA+.L3/1
TB25	0	068103	Terminal Block, 4Pos 1.5mm Com Clamp	●	068113		Jumper is Trimmed Down To 2 Position Jumper Between TB25-26	&MEA/21
TB1	0	068104	Terminal Block, 4Pos 1.5mm GND Clamp	●				&MEA+.L3/1.05
TB2	0	068104	Terminal Block, 4Pos 1.5mm GND Clamp					&MEA+.L3/1.05
TB4	0	068103	Terminal Block, 4Pos 1.5mm Com Clamp	●	068113		Jumper is Trimmed Down To 3 Position Jumper Between TB4-6	&MEA+.L3/3.12
TB5	0	068103	Terminal Block, 4Pos 1.5mm Com Clamp	●				&MEA/12.18
TB6	0	068103	Terminal Block, 4Pos 1.5mm Com Clamp	●				&MEA/12
TB7	0	068103	Terminal Block, 4Pos 1.5mm Com Clamp	●	068113		Jumper is Trimmed Down To 2 Position Jumper Between TB7-8	&MEA+.L3/3.11
TB9	0	068103	Terminal Block, 4Pos 1.5mm Com Clamp	●	068113		Jumper is Trimmed Down To 3 Position Jumper Between TB9-11	&MEA/7.06
TB10	0	068103	Terminal Block, 4Pos 1.5mm Com Clamp	●				&MEA/16.02
TB11	0	068103	Terminal Block, 4Pos 1.5mm Com Clamp	●				&MEA/16
TB12	0	068103	Terminal Block, 4Pos 1.5mm Com Clamp	●	068113		Jumper is Trimmed Down To 8 Position Between TB12-19	&MEA+.L3/3.17
TB13	0	068103	Terminal Block, 4Pos 1.5mm Com Clamp	●				&MEA/26.15
TB14	0	068103	Terminal Block, 4Pos 1.5mm Com Clamp	●				&MEA/30.06
TB15	0	068103	Terminal Block, 4Pos 1.5mm Com Clamp	●				&MEA/16.07
TB16	0	068103	Terminal Block, 4Pos 1.5mm Com Clamp	●				&MEA+.L3/6.06
TB17	0	068103	Terminal Block, 4Pos 1.5mm Com Clamp	●				&MEA/26.06
TB18	0	068103	Terminal Block, 4Pos 1.5mm Com Clamp	●				&MEA/7
TB19	0	068103	Terminal Block, 4Pos 1.5mm Com Clamp	●		068105		&MEA/7
TB20	0	068103	Terminal Block, 4Pos 1.5mm Com Clamp	●	068113		Jumper is Trimmed Down To 5 Position Between TB20-24	&MEA+.L3/3.16
TB21	0	068103	Terminal Block, 4Pos 1.5mm Com Clamp	●				&MEA/7.03
TB22	0	068103	Terminal Block, 4Pos 1.5mm Com Clamp	●				&MEA/21.02
TB23	0	068103	Terminal Block, 4Pos 1.5mm Com Clamp	●				&MEA+.L3/6.05
TB24	0	068103	Terminal Block, 4Pos 1.5mm Com Clamp	●		068105		&MEA/7
TB26	0	068103	Terminal Block, 4Pos 1.5mm Com Clamp			068105		&MEA+.L3/6.02



# Terminal line-up diagram

## Terminal strip +L5.L6-X5

Terminal				Jumper		End Plate	Remark	Terminal X-Ref
Ref. Des.	Level	P/N	Description	Diagram	P/N	P/N		
TB1	0	068104	Terminal Block, 4Pos 1.5mm GND Clamp	⋮		068105		&MEA+.L7/36.08
TB2	0	068103	Terminal Block, 4Pos 1.5mm Com Clamp	●	068113		Jumper is Trimmed Down To 2 Position Between TB2-3	&MEA+.L7/36.07
TB3	0	068103	Terminal Block, 4Pos 1.5mm Com Clamp	●				&MEA+L1.L4/18.02
TB4	0	068103	Terminal Block, 4Pos 1.5mm Com Clamp	●	068113		Jumper is Trimmed Down To 2 Position Between TB4-5	&MEA+L1.L4/23.02
TB5	0	068103	Terminal Block, 4Pos 1.5mm Com Clamp	●		068105		&MEA+.L7/36.06
TB6	1	068119	Terminal Block, 2 Tier 2.5mm Clamp	⋮		068120		&MEA+L1.L4/17.05
TB6	2			⋮				&MEA+L1.L4/17.05
TB7	1	068119	Terminal Block, 2 Tier 2.5mm Clamp	⋮				&MEA+.L7/36.07
TB7	2			⋮				&MEA+.L7/36.08
TB8	1	068119	Terminal Block, 2 Tier 2.5mm Clamp	⋮				&MEA+L1.L4/17.07
TB8	2			⋮				&MEA+.L7/36.06
TB9	1	068119	Terminal Block, 2 Tier 2.5mm Clamp	⋮				&MEA+L1.L4/17.12
TB9	2			⋮				&MEA+L1.L4/17.12
TB10	1	068119	Terminal Block, 2 Tier 2.5mm Clamp	⋮				&MEA+L1.L4/22.06
TB10	2			⋮				&MEA+L1.L4/22.04
TB11	1	068119	Terminal Block, 2 Tier 2.5mm Clamp	⋮		068120		&MEA+L1.L4/18.02
TB11	2			⋮				
TB12	1	068119	Terminal Block, 2 Tier 2.5mm Clamp	⋮				&MEA+L1.L4/24.03
TB12	2			⋮				&MEA+L1.L4/24.03
TB13	1	068119	Terminal Block, 2 Tier 2.5mm Clamp	⋮				&MEA+L1.L4/24.04
TB13	2			⋮				&MEA+L1.L4/24.04
TB14	1	068119	Terminal Block, 2 Tier 2.5mm Clamp	⋮				&MEA+L1.L4/24.06
TB14	2			⋮				&MEA+L1.L4/24.05
TB15	1	068119	Terminal Block, 2 Tier 2.5mm Clamp	⋮				&MEA+L1.L4/24.08
TB15	2			⋮				&MEA+L1.L4/24.06
TB16	1	068119	Terminal Block, 2 Tier 2.5mm Clamp	⋮				&MEA+L1.L4/24.08
TB16	2			⋮				&MEA+L1.L4/24.09
TB17	1	068119	Terminal Block, 2 Tier 2.5mm Clamp	⋮		068120		&MEA+L1.L4/24.07
TB17	2			⋮				&MEA+L1.L4/24.09
TB18	1	068119	Terminal Block, 2 Tier 2.5mm Clamp	⋮				&MEA+L1.L4/25.03
TB18	2			⋮				&MEA+L1.L4/25.03
TB19	1	068119	Terminal Block, 2 Tier 2.5mm Clamp	⋮				&MEA+L1.L4/25.04
TB19	2			⋮				&MEA+L1.L4/25.04
TB20	1	068119	Terminal Block, 2 Tier 2.5mm Clamp	⋮				&MEA+L1.L4/25.06
TB20	2			⋮				&MEA+L1.L4/25.05

		<b>Wood-Mizer®</b>	
Project Description: WM4500 Bed Extension 12'			
Revision: A4.04		Pg Desc: Terminal line-up diagram	
Mounting Location: +Docs		Type: Terminal line-up diagram	
Prev. pg: D2	Page: D3	Next pg: D4	Total Pgs: 93

# Terminal line-up diagram

Wood-Mizer\_Terminal\_Lineup\_Diagram

## Terminal strip +L5.L6-X5

Terminal				Jumper		End Plate	Remark	Terminal X-Ref
Ref. Des.	Level	P/N	Description	Diagram	P/N	P/N		
TB21	1	068119	Terminal Block, 2 Tier 2.5mm Clamp	•				&MEA+L1.L4/25.08
TB21	2			•				&MEA+L1.L4/25.06
TB22	1	068119	Terminal Block, 2 Tier 2.5mm Clamp	•				&MEA+L1.L4/25.08
TB22	2			•				&MEA+L1.L4/25.09
TB23	1	068119	Terminal Block, 2 Tier 2.5mm Clamp	•		068120		&MEA+L1.L4/25.07
TB23	2			•				&MEA+L1.L4/25.09
TB24	1	068119	Terminal Block, 2 Tier 2.5mm Clamp	•				&MEA+L1.L4/23.02
TB24	2			•				&MEA+L1.L4/23.02
TB25	1	068119	Terminal Block, 2 Tier 2.5mm Clamp	•		068120		
TB25	2			•				&MEA+L1.L4/23.03
TB26	1	068119	Terminal Block, 2 Tier 2.5mm Clamp	•				&MEA+L1.L4/17.07
TB26	2			•				&MEA+L1.L4/17.07
TB27	1	068119	Terminal Block, 2 Tier 2.5mm Clamp	•				&MEA+L1.L4/17.07
TB27	2			•				&MEA+L1.L4/17.07
TB28	1	068119	Terminal Block, 2 Tier 2.5mm Clamp	•				&MEA+L1.L4/17.07
TB28	2			•				&MEA+L1.L4/17.07
TB29	1	068119	Terminal Block, 2 Tier 2.5mm Clamp	•		068120		&MEA+L1.L4/18.05
TB29	2			•				&MEA+L1.L4/18.03
TB30	1	068119	Terminal Block, 2 Tier 2.5mm Clamp	•		068120		&MEA+L1.L4/18
TB30	2			•				&MEA+L1.L4/18.05
TB31	1	068119	Terminal Block, 2 Tier 2.5mm Clamp	•				&MEA+L1.L4/15
TB31	2			•				&MEA+L1.L4/15
TB32	1	068119	Terminal Block, 2 Tier 2.5mm Clamp	•		068120		&MEA+L1.L4/15
TB32	2			•				



**Wood-Mizer®**

Project Description: WM4500 Bed Extension 12'

Revision: A4.04 Pg Desc: Terminal line-up diagram


Mounting Location: +Docs Type: Terminal line-up diagram

Prev. pg: D3 Page: D4 Next pg: D5 Total Pgs: 93

# Terminal line-up diagram

## Terminal strip +L11.L12-X6

Terminal				Jumper		End Plate	Remark	Terminal X-Ref
Ref. Des.	Level	P/N	Description	Diagram	P/N	P/N		
TB1	0	068104	Terminal Block, 4Pos 1.5mm GND Clamp	⋮				&MEA+L1.L3/1.09
TB2	0	068104	Terminal Block, 4Pos 1.5mm GND Clamp	⋮		068105		&MEA+L1.L4/19.12
TB3	0	068103	Terminal Block, 4Pos 1.5mm Com Clamp	●	068113		Jumper is Trimmed Down To 2 Position Between TB3-4	&MEA+L1.L4/8.05
TB4	0	068103	Terminal Block, 4Pos 1.5mm Com Clamp	●		068105		&MEA+L1.L4/8.13
TB5	0	068103	Terminal Block, 4Pos 1.5mm Com Clamp	●	068113		Jumper is Trimmed Down To 3 Position Between TB5-7	&MEA+L1.L4/16.09
TB6	0	068103	Terminal Block, 4Pos 1.5mm Com Clamp	●				&MEA+L1.L4/26.02
TB7	0	068103	Terminal Block, 4Pos 1.5mm Com Clamp	●		068105		&MEA+L1.L4/19.12
TB8	0	068103	Terminal Block, 4Pos 1.5mm Com Clamp	●	068113		Jumper is Trimmed Down To 2 Position Between TB8-9	&MEA+L1.L4/23.07
TB9	0	068103	Terminal Block, 4Pos 1.5mm Com Clamp	●		068105		&MEA+L1.L4/23.06
TB10	1	068119	Terminal Block, 2 Tier 2.5mm Clamp	⋮				&MEA+L1.L4/17.02
TB10	2			⋮				&MEA+L1.L4/17.02
TB11	1	068119	Terminal Block, 2 Tier 2.5mm Clamp	⋮				&MEA+L1.L4/17.02
TB11	2			⋮				&MEA+L1.L4/17.02
TB12	1	068119	Terminal Block, 2 Tier 2.5mm Clamp	⋮				&MEA+L1.L4/7.15
TB12	2			⋮				&MEA+L1.L4/7.17
TB13	1	068119	Terminal Block, 2 Tier 2.5mm Clamp	⋮				&MEA+L1.L4/8.09
TB13	2			⋮				&MEA+L1.L4/8.07
TB14	1	068119	Terminal Block, 2 Tier 2.5mm Clamp	⋮				
TB14	2			⋮				&MEA+L1.L4/8.11
TB15	1	068119	Terminal Block, 2 Tier 2.5mm Clamp	⋮				
TB15	2			⋮				&MEA+L1.L4/8.13
TB16	1	068119	Terminal Block, 2 Tier 2.5mm Clamp	⋮		068120		&MEA+L1.L4/23.13
TB16	2			⋮				&MEA+L1.L4/23.10
TB17	1	068119	Terminal Block, 2 Tier 2.5mm Clamp	⋮				&MEA+L1.L4/8
TB17	2			⋮				&MEA+L1.L4/8.16


		<b>Wood-Mizer®</b>	
Project Description: WM4500 Bed Extension 12'			
Revision:	A4.04	Pg Desc: Terminal line-up diagram	
Mounting Location: +Docs		Type: Terminal line-up diagram	
Prev. pg:	D4	Page:	D5
Next pg:		D6	Total Pgs: 93



# Terminal line-up diagram

## Terminal strip +L9.L10-X7


Terminal				Jumper		End Plate	Remark	Terminal X-Ref
Ref. Des.	Level	P/N	Description	Diagram	P/N	P/N		
TB1	0	068104	Terminal Block, 4Pos 1.5mm GND Clamp	⋮				&MEA+L1.L3/1.08
TB2	0	068104	Terminal Block, 4Pos 1.5mm GND Clamp	⋮				&MEA+L1.L4/9.04
TB3	0	068104	Terminal Block, 4Pos 1.5mm GND Clamp	⋮				&MEA+L1.L4/9.07
TB4	0	068104	Terminal Block, 4Pos 1.5mm GND Clamp	⋮				&MEA+L1.L4/9.11
TB5	0	068104	Terminal Block, 4Pos 1.5mm GND Clamp	⋮		068105		&MEA+L1.L4/15.03
TB6	0	068103	Terminal Block, 4Pos 1.5mm Com Clamp	●	068113		Jumper is Trimmed Down To 5 Position Between TB6-10	&MEA+L1.L4/9.02
TB7	0	068103	Terminal Block, 4Pos 1.5mm Com Clamp	●				&MEA+L1.L4/9.02
TB8	0	068103	Terminal Block, 4Pos 1.5mm Com Clamp	●				&MEA+L1.L4/9.06
TB9	0	068103	Terminal Block, 4Pos 1.5mm Com Clamp	●				&MEA+L1.L4/9.09
TB11	0	068103	Terminal Block, 4Pos 1.5mm Com Clamp	⋮		068105		&MEA+L1.L4/16.12
TB12	0	068103	Terminal Block, 4Pos 1.5mm Com Clamp	⋮		068105		&MEA+L1.L4/16.12
TB13	1	068119	Terminal Block, 2 Tier 2.5mm Clamp	⋮				&MEA+L1.L4/9.02
TB13	2			⋮				&MEA+L1.L4/9.05
TB14	1	068119	Terminal Block, 2 Tier 2.5mm Clamp	⋮				&MEA+L1.L4/9.06
TB14	2			⋮				&MEA+L1.L4/9.08
TB15	1	068119	Terminal Block, 2 Tier 2.5mm Clamp	⋮				&MEA+L1.L4/9.09
TB15	2			⋮				&MEA+L1.L4/9.12
TB16	1	068119	Terminal Block, 2 Tier 2.5mm Clamp	⋮				&MEA+L1.L4/9.13
TB16	2			⋮				&MEA+L1.L4/9.15
TB17	1	068119	Terminal Block, 2 Tier 2.5mm Clamp	⋮				&MEA+L1.L4/9.16
TB17	2			⋮				&MEA+L1.L4/9.19
TB18	1	068119	Terminal Block, 2 Tier 2.5mm Clamp	⋮				&MEA+L1.L4/10.02
TB18	2			⋮				&MEA+L1.L4/10.04
TB19	1	068119	Terminal Block, 2 Tier 2.5mm Clamp	⋮				&MEA+L1.L4/10.05
TB19	2			⋮				&MEA+L1.L4/10.08
TB20	1	068119	Terminal Block, 2 Tier 2.5mm Clamp	⋮				&MEA+L1.L4/10.09
TB20	2			⋮				&MEA+L1.L4/10.11
TB21	1	068119	Terminal Block, 2 Tier 2.5mm Clamp	⋮				&MEA+L1.L4/10.12
TB21	2			⋮				
TB22	1	068119	Terminal Block, 2 Tier 2.5mm Clamp	⋮				&MEA+L1.L4/10.15
TB22	2			⋮				&MEA+L1.L4/10.17
TB23	1	068119	Terminal Block, 2 Tier 2.5mm Clamp	⋮				&MEA+L1.L4/11.02
TB23	2			⋮				&MEA+L1.L4/11.04
TB24	1	068119	Terminal Block, 2 Tier 2.5mm Clamp	⋮				&MEA+L1.L4/11.05
TB24	2			⋮				&MEA+L1.L4/11.07

		<b>Wood-Mizer®</b>	
Project Description: WM4500 Bed Extension 12'			
Revision:	A4.04	Pg Desc: Terminal line-up diagram	
Mounting Location: +Docs		Type: Terminal line-up diagram	
Prev. pg:	D5	Page:	D6
Next pg:		D7	Total Pgs: 93

# Terminal line-up diagram

## Terminal strip +L9.L10-X7

Terminal				Jumper		End Plate	Remark	Terminal X-Ref
Ref. Des.	Level	P/N	Description	Diagram	P/N	P/N		
TB25	1	068119	Terminal Block, 2 Tier 2.5mm Clamp	•				&MEA+L1.L4/34.07
TB25	2			•				&MEA+L1.L4/34.08
TB26	1	068119	Terminal Block, 2 Tier 2.5mm Clamp	•				&MEA+L1.L4/11.09
TB26	2			•				
TB27	1	068119	Terminal Block, 2 Tier 2.5mm Clamp	•				&MEA+L1.L4/15.02
TB27	2			•				&MEA+L1.L4/15.04
TB28	1	068119	Terminal Block, 2 Tier 2.5mm Clamp	•				&MEA+L1.L4/15.05
TB28	2			•				&MEA+L1.L4/15.08
TB29	1	068119	Terminal Block, 2 Tier 2.5mm Clamp	•		068102		&MEA+L1.L4/15.09
TB29	2			•				&MEA+L1.L4/15.11

		<b>Wood-Mizer®</b>	
Project Description: WM4500 Bed Extension 12'			
Revision:	A4.04	Pg Desc: Terminal line-up diagram	
Mounting Location: +Docs		Type: Terminal line-up diagram	
Prev. pg:	D6	Page:	D7
Next pg:	D8	Total Pgs: 93	

# Terminal line-up diagram

## Terminal strip +L5.L14-X8

Terminal				Jumper		End Plate	Remark	Terminal X-Ref
Ref. Des.	Level	P/N	Description	Diagram	P/N	P/N		
TB1	0	068104	Terminal Block, 4Pos 1.5mm GND Clamp	•				&MEA+L1.L3/1.08
TB2	0	068104	Terminal Block, 4Pos 1.5mm GND Clamp	•				&MEA+L1.L4/13.03
TB3	0	068104	Terminal Block, 4Pos 1.5mm GND Clamp	•				&MEA+L1.L4/13.05
TB4	0	068104	Terminal Block, 4Pos 1.5mm GND Clamp	•		068105		&MEA+L1.L4/13.07
TB5	0	068103	Terminal Block, 4Pos 1.5mm Com Clamp	•	068113		Jumper is Trimmed Down To 4 Position Between TB5-8	&MEA+L1.L4/11.13
TB6	0	068103	Terminal Block, 4Pos 1.5mm Com Clamp	•				&MEA+L1.L4/11.14
TB7	0	068103	Terminal Block, 4Pos 1.5mm Com Clamp	•				&MEA+L1.L4/13.02
TB8	0	068103	Terminal Block, 4Pos 1.5mm Com Clamp	•		068105		&MEA+L1.L4/13.04
TB9	0	068103	Terminal Block, 4Pos 1.5mm Com Clamp	•				&MEA+L1.L4/14.12



**Wood-Mizer®**

Project Description: WM4500 Bed Extension 12'


Revision: A4.04 Pg Desc: Terminal line-up diagram

Mounting Location: +Docs Type: Terminal line-up diagram

Prev. pg: D7 Page: D8 Next pg: E1 Total Pgs: 93

# Cable Overview


Cable Designation	Cable Part Number	Cable Description	Cable X-Ref
W1	069958 069958-FX	Cable Assy, Ind. Mill Blade Motor Cable Assy, Ind. Mill Blade Mtr Full Ex	+L1.L3/1.118
W2	069993	Cable Assy, Ind. Mill Hydraulic Mtr	+L1.L3/2.202
W3	078442-FX	Cable Assy, Ind. Mill Feed Mtr Full Ex	+L1.L3/2.208
W4	068179	Cable Assy, Ind. Mill Up/Dn Servo Mtr	+L1.L3/2.214
W5	068180	Cable Assy, Ind. Mill Up/Dn Servo Enc	+L1.L3/2.213
W6	069959	Cable Assy, Ind. Mill Debarker Motor	+L1.L3/3.302
W20	069962-FX	Cable Assy, Ind. Mill Head Box Full Ex	+L1.L4/7.708
W21	078656	Cable Assy, Ind. Mill Hydraulic Control	+L1.L4/10.1002
W22	078657	Cable Assy, Ind. Mill Operator Junction	+L1.L4/16.1616
W23	078658	Cable Assy, Ind. Mill HMI Control	+L1.L4/17.1710
W30	078659	Cable Assy, Ind. Mill Left Joystick	+L1.L4/24.2403
W31	078660	Cable Assy, Ind. Mill Right Joystick	+L1.L4/25.2503
W34	069963	Cable Assy, Ind. Mill Seat Switch	+L1.L4/17.1705
W35	078661	Cable Assy, Ind. Mill Foot Pedal	+L1.L4/23.2302
W36	078662	Cable Assy, Ind. Mill Blade Break Prox	+L1.L4/23.2310
W37	078663	Cable Assy, Ind. Mill Ball Nut Prox	+L1.L4/23.2312
W38	069988	Cable Assy, Ind. Mill Blade Guide Motor	+L1.L4/7.715
W39	068074	Cable Assy, Ind. Mill Laser	+L1.L4/8.813
W40	068048	Cable Assy, Ind. Mill Feed Encoder Pwr	+L1.L4/19.1911
W40A	068206	Connector Assy, Ind. Mill Feed Encoder	+L1.L4/19.1911
W41	078791	Cable Assy, Drag Back Solenoid	+L1.L4/8.802
W42	078665	Cable Assy, Ind. Mill Prop Valve	+L1.L4/34.3407
W61	069977	Cable Assy, Ind. Mill Bld Brk Sol.	+L1.L4/8.807
W62	069978	Cable Assy, Ind. Mill Blw Off Sol.	+L1.L4/8.809
W63	069979	Cable Assy, Ind. Mill Debarker Sol.	+L1.L4/8.811
W64	069966	Cable Assy, Ind. Mill Clamp In/Out Sol	+L1.L4/9.902
W65	069967	Cable Assy, Ind. Mill Turner Up/Dn Sol.	+L1.L4/9.906
W66	069968	Cable Assy, Ind. Mill Clamp Up/Dn Sol.	+L1.L4/9.909
W67	069969	Cable Assy, Ind. Mill Toe #1 Up/Dn Sol.	+L1.L4/9.913
W68	069970	Cable Assy, Ind. Mill Pwr Tpr Fwd/Rv Sol.	+L1.L4/9.916
W69	069971	Cable Assy, Ind. Mill Toe #2 Up/Dn Sol.	+L1.L4/10.1002
W70	069972	Cable Assy, Ind. Mill Toe #3 Up/Dn Sol.	+L1.L4/10.1005
W71	069973	Cable Assy, Ind. Mill Sd Sup Up/Dn Sol.	+L1.L4/10.1009
W72	068189	Cable Assy, Ind. Mill Conveyor Sol.	+L1.L4/10.1012
W73	069974	Cable Assy, Ind. Mill Pwr Tpr Fwd/Rv Sol.	+L1.L4/10.1014

		<b>Wood-Mizer®</b>	
Project Description: WM4500 Bed Extension 12'			
Revision:	A4.04	Pg Desc: Cable overview	
Mounting Location: +Docs		Type: Cable overview	
Prev. pg:	D8	Page:	E1
Next pg:		E2	Total Pgs: 93

# Cable Overview

Wood-Mizer\_Cable\_Overview

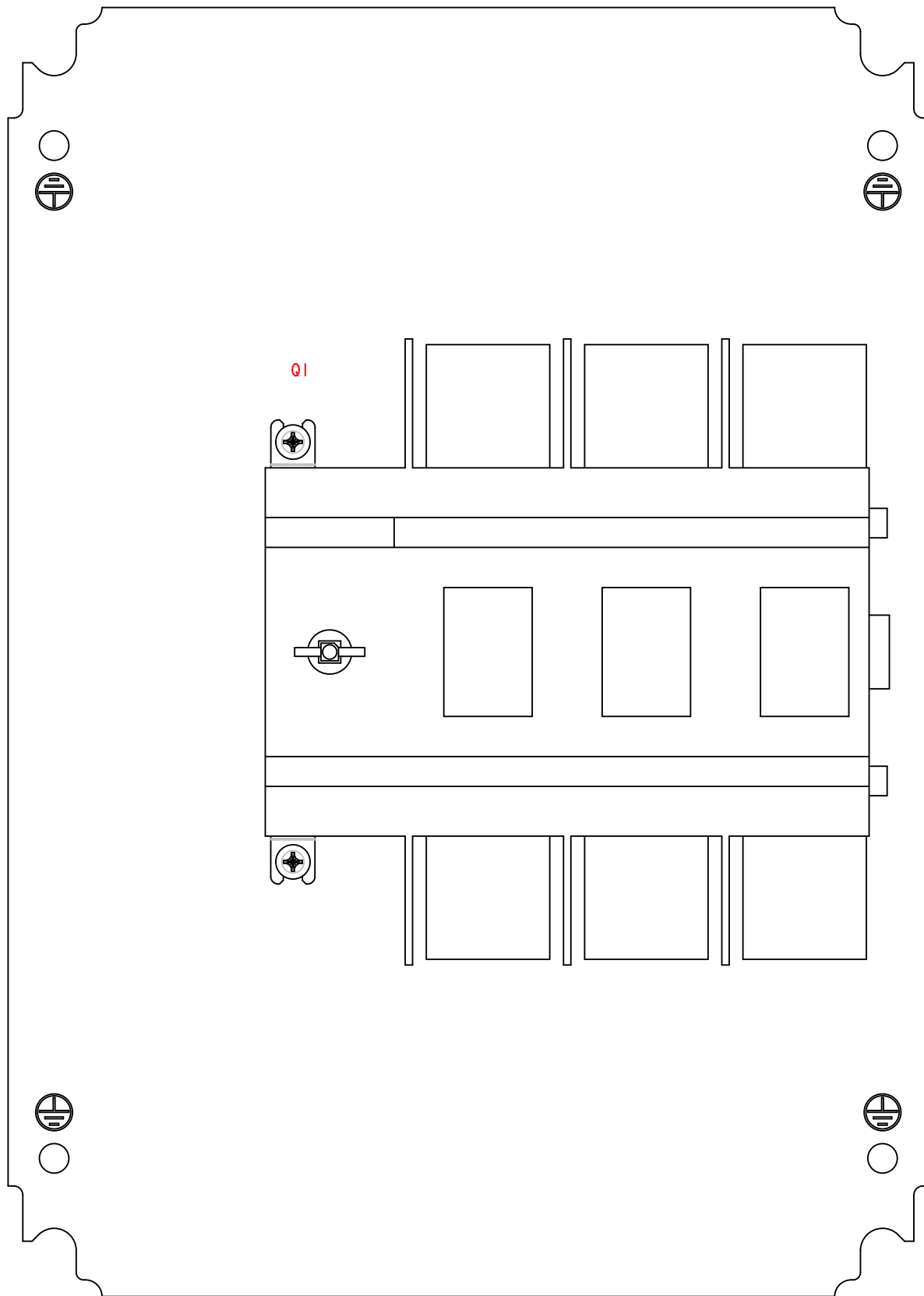
Cable Designation	Cable Part Number	Cable Description	Cable X-Ref
W74	069975	Cable Assy, Ind. Mill Loader Up/Dn Sol.	+L1.L4/11.1102
W75	069976	Cable Assy, Ind. Mill Log Deck Fwd/Rev S	+L1.L4/11.1105
W77	069978	Cable Assy, Ind. Mill Blw Off Sol.	+L1.L4/8.816
W100	069937	Cable Assy, Ind. Mill CANopen PLC	+L1.L4/21.2111
W101	069873	Cable Assy, Ind. Mill CANopen Feed Drive	+L1.L4/19.1902
W102	069874	Cable Assy, Ind. Mill CANopen Up/Dn Driv	+L1.L4/19.1902
W103.A	068029	Connector Assy, Ind. Mill CANopen Main	+L1.L4/19.1908
W103.B	068283	Cable Assy, Ind. Mill Encoder CAN	+L1.L4/19.1908
W120	069923	Cable Assy, Ind. Mill Modbus Soft Start	+L1.L4/21.2106
W121	069923-1	Cable Assy, Ind. Mill Modbus Soft Start Jnct	+L1.L3/4.415
W130	068162	Cable Assy, Ind. Mill Ethernet PLC	+L1.L4/21.2108
W131.A	069888	Cable Assy, Ind. Mill Ethernet Main Inte	+L1.L4/19.1918
W131.B	069997	Cable Assy, Ind. Mill HMI Ethernet	+L5.L7/36.3610
W131.C	069986	Cable Assy, Ind. Mill Ethernet HMI Int	+L5.L7/36.3610
W140	068178	Receptacle, Panel Mount USB	+L5.L7/36.3608
W150	068291	Cable Assy, Ind. Mill BedX Toe Brd U/D	+L1.L4/15.1502
W151	068292	Cable Assy, Ind. Mill BedX Clamp U/D	+L1.L4/15.1505
W152	068293	Cable Assy, Ind. Mill BedX Clamp In/Out	+L1.L4/15.1509
W1000	068247	Cable Assy, Ind. Mill Hyd. Bed Ex	+L1.L4/11.1113
W1001	068248	Cable Assy, Ind. Mill BX Trn FR Div	+L1.L4/13.1302
W1002	068249	Cable Assy, Ind. Mill BX Trn FR Blk	+L1.L4/13.1304
W1003	068274	Cable Assy, Ind. Mill BX SS UD Div	+L1.L4/13.1306
W1004	068275	Cable Assy, Ind. Mill BX SS UD Blk	+L1.L4/13.1308
W1005	068276	Cable Assy, Ind. Mill BX Trn UD Div	+L1.L4/13.1310
W1006	068277	Cable Assy, Ind. Mill BX PT FR Div	+L1.L4/13.1312
W1007	068278	Cable Assy, Ind. Mill BX PT FR Blk	+L1.L4/13.1314
W1008	068280	Cable Assy, Ind. Mill BX LD UD Div	+L1.L4/13.1316
W1009	068288	Cable Assy, Ind. Mill BX LD UD Blk	+L1.L4/13.1318
W1010	068289	Cable Assy, Ind. Mill BX LD FR Div	+L1.L4/14.1402
W1011	068290	Cable Assy, Ind. Mill BX LD FR Blk	+L1.L4/14.1404
W1012	112434	Cable Assy, Ind. Mill BX Clmp Up Slct Sol.	+L1.L4/14.1406
W1013	112435	Cable Assy, Ind. Mill BX Clmp Dn Slct Sol.	+L1.L4/14.1408
W1014	112436	Cable Assy, Ind. Mill BX Clmp In Slct Sol.	+L1.L4/14.1410
W1015	112437	Cable Assy, Ind. Mill BX Clmp Out Slct Sol.	+L1.L4/14.1412
Z1	078785	Harness Assy, Ind. Mill Disconnect	+L1.L3/1.101


		<b>Wood-Mizer®</b>	
Project Description: WM4500 Bed Extension 12'			
Revision: A4.04		Pg Desc: Cable overview	
Mounting Location: +Docs		Type: Cable overview	
Prev. pg: E1	Page: E2	Next pg: E3	Total Pgs: 93

# Cable Overview

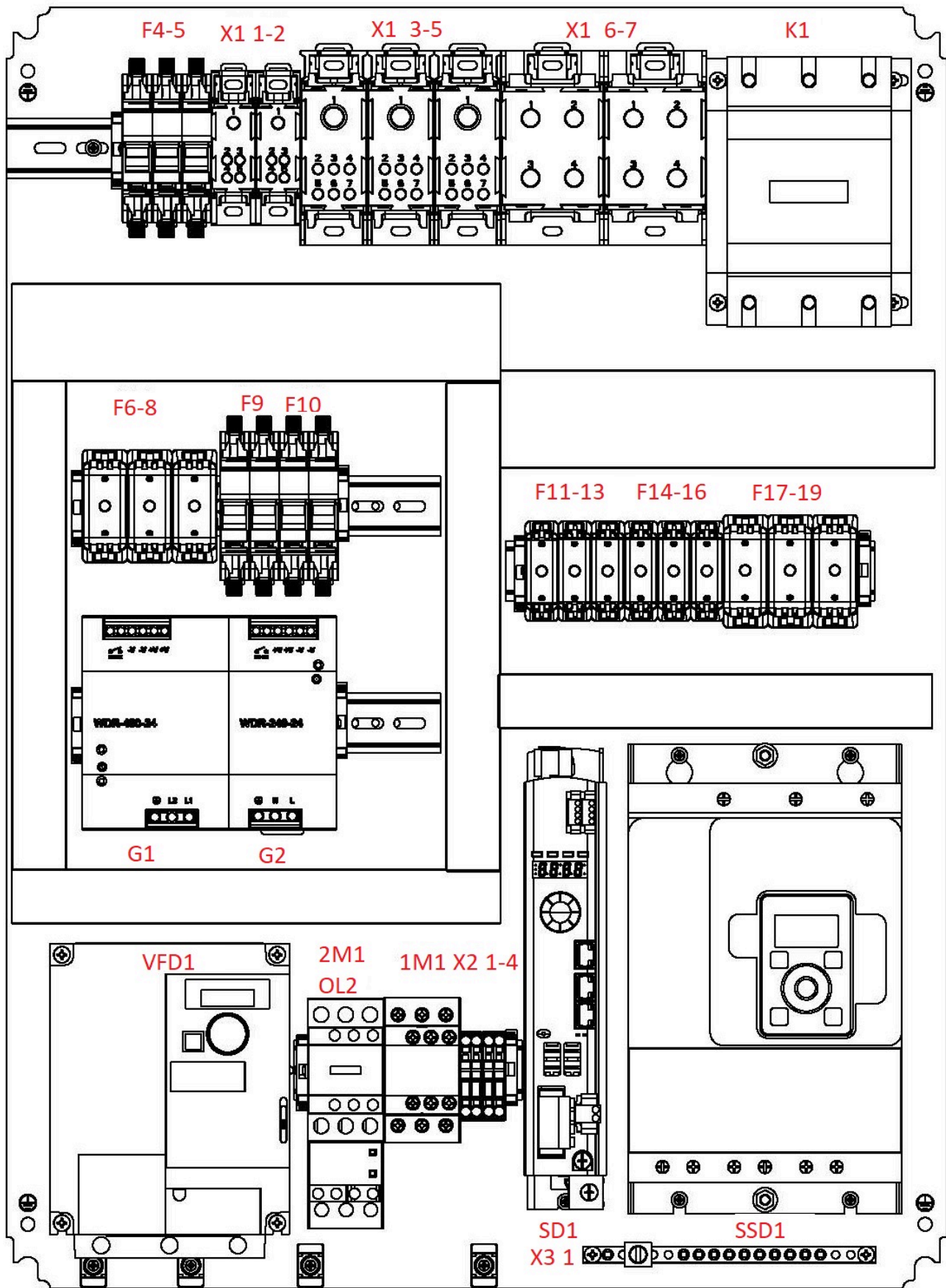
<b>Cable</b> Designation	<b>Cable</b> Part Number	<b>Cable</b> Description	<b>Cable</b> X-Ref
Z3	069935	Harness Assy, Ind. Mill Transformer	+L1.L3/3.306

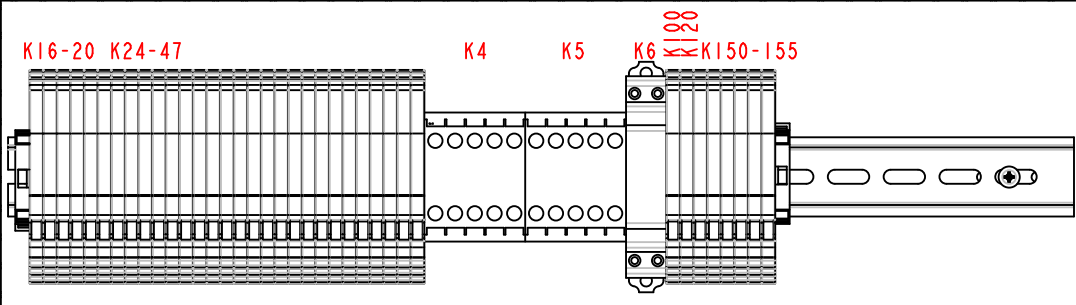
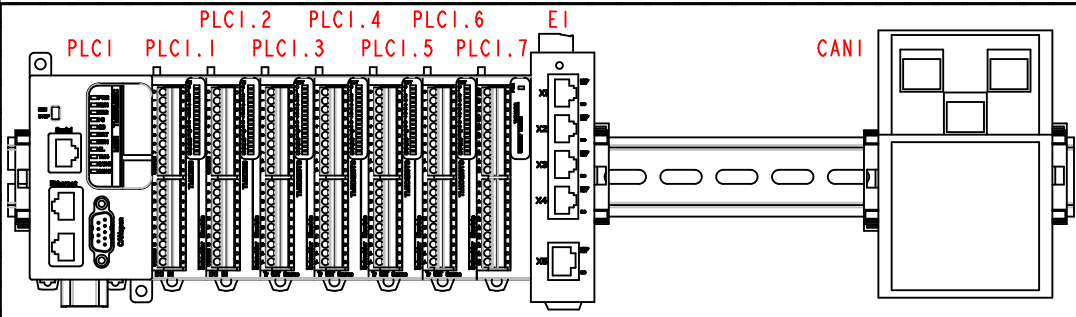
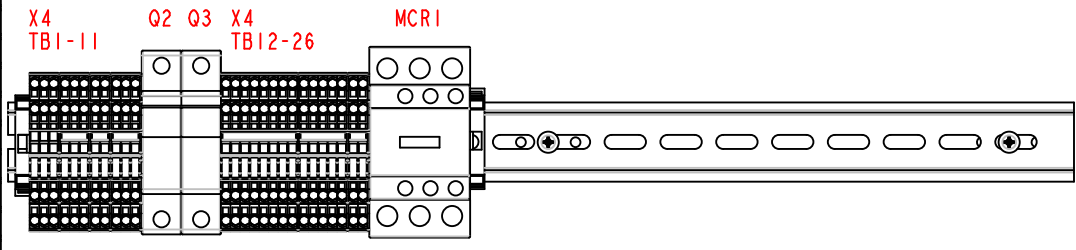


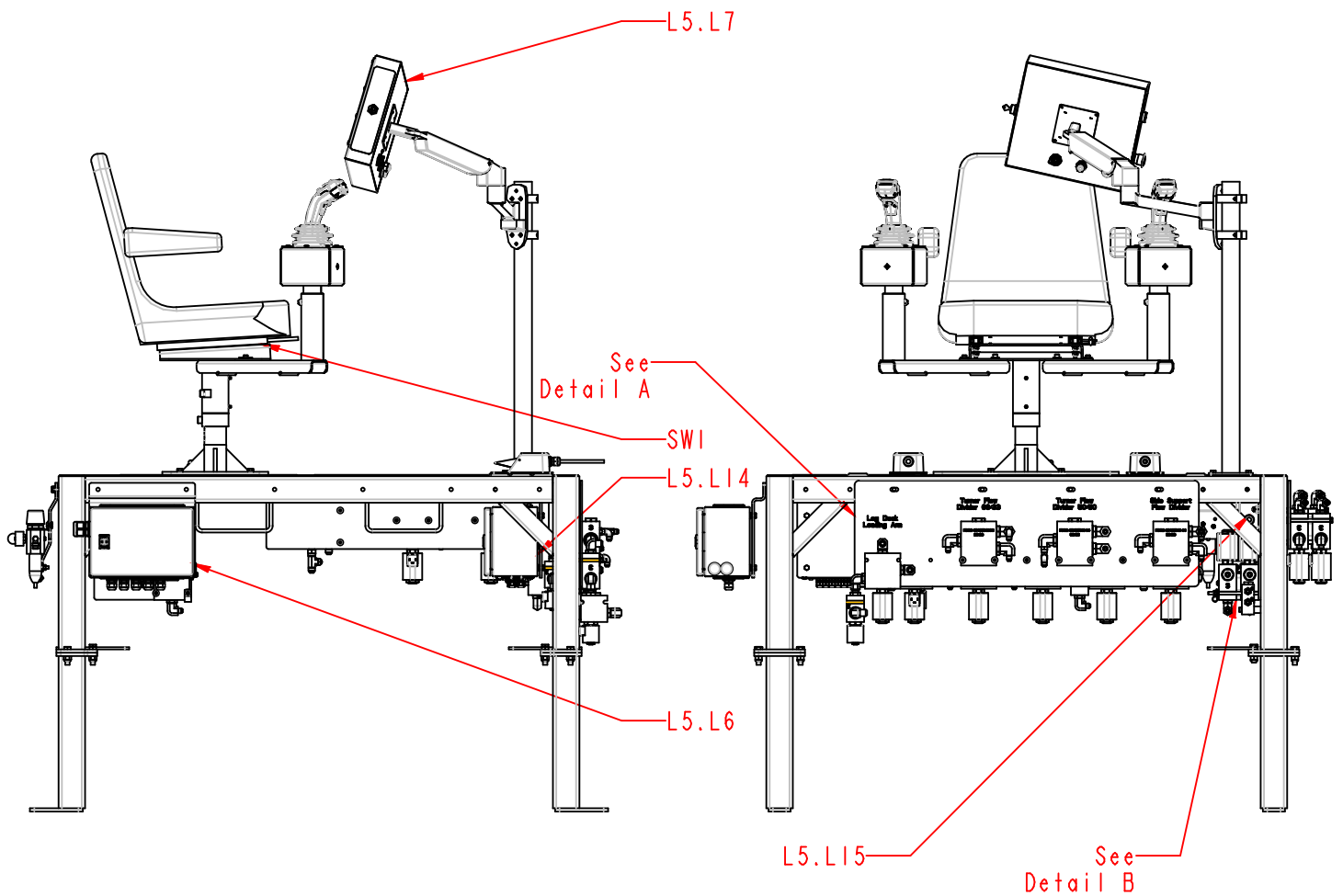
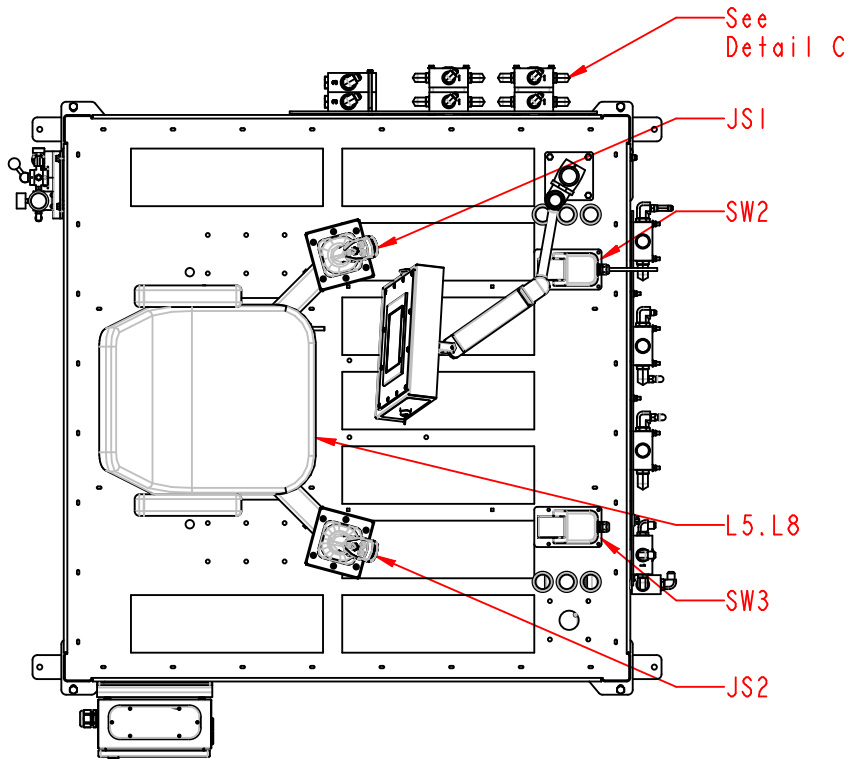


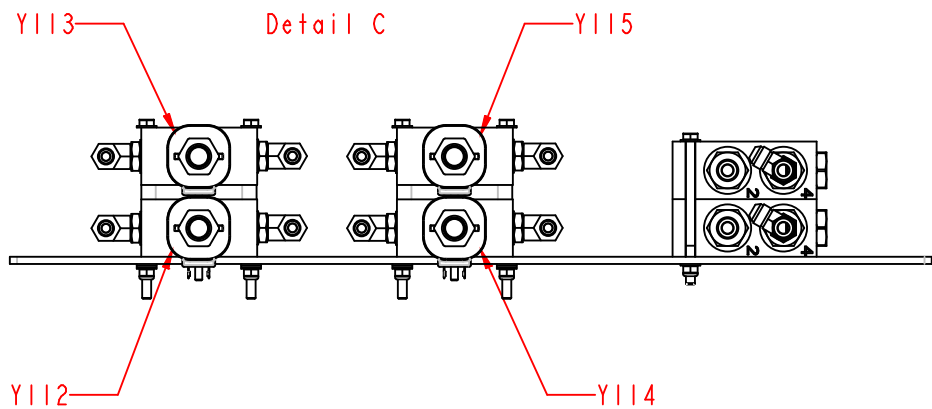
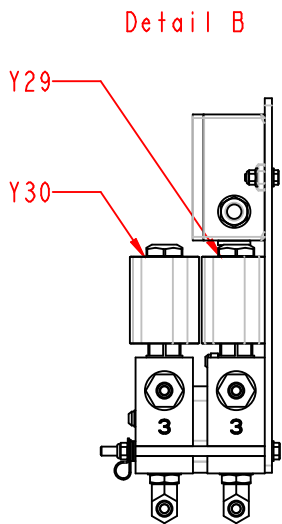
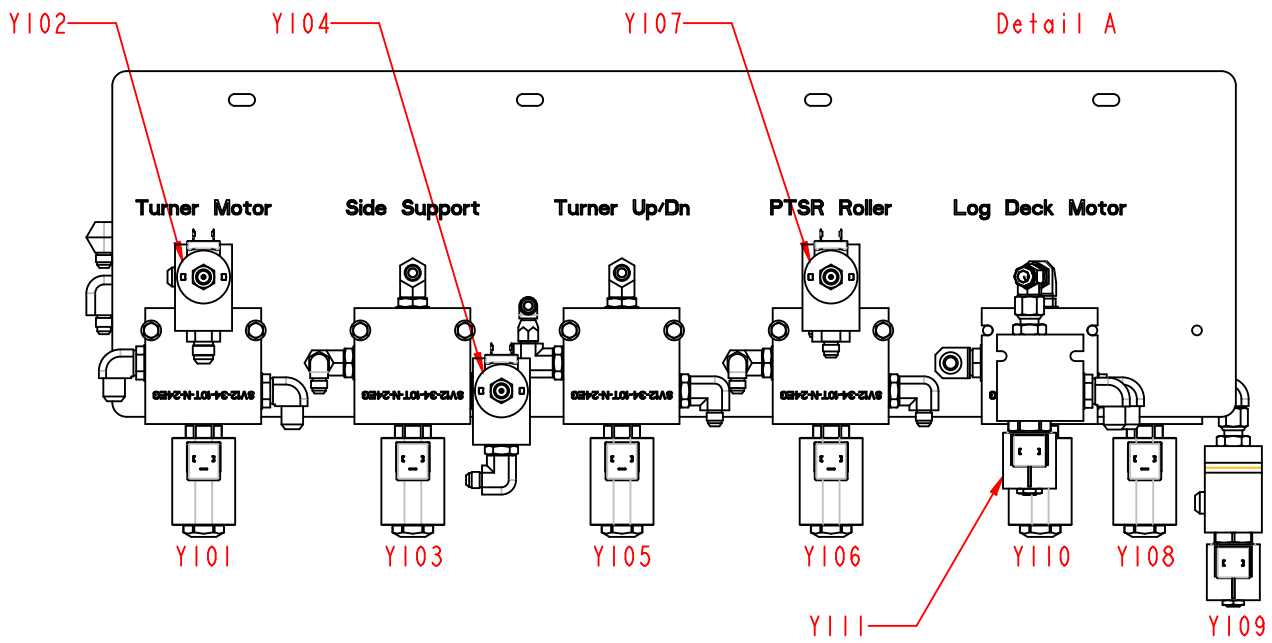
		<b>Wood-Mizer®</b>	
<b>Project Description: WM4500 Bed Extension 12'</b>			
Revision:	A4.04	Pg Desc: Main Control Disconnect Layout	
Mounting Location: +Docs		Type: Panel layout	
Prev. pg:	F1	Page:	F2
		Next pg:	F3
		Total Pgs:	93

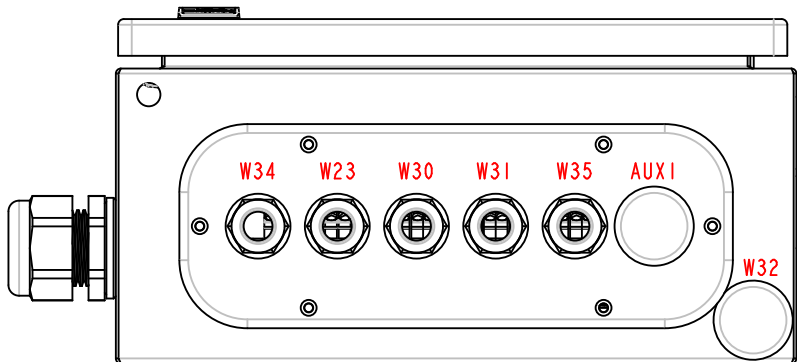
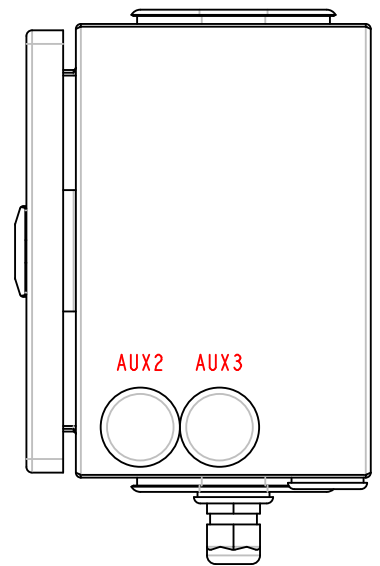
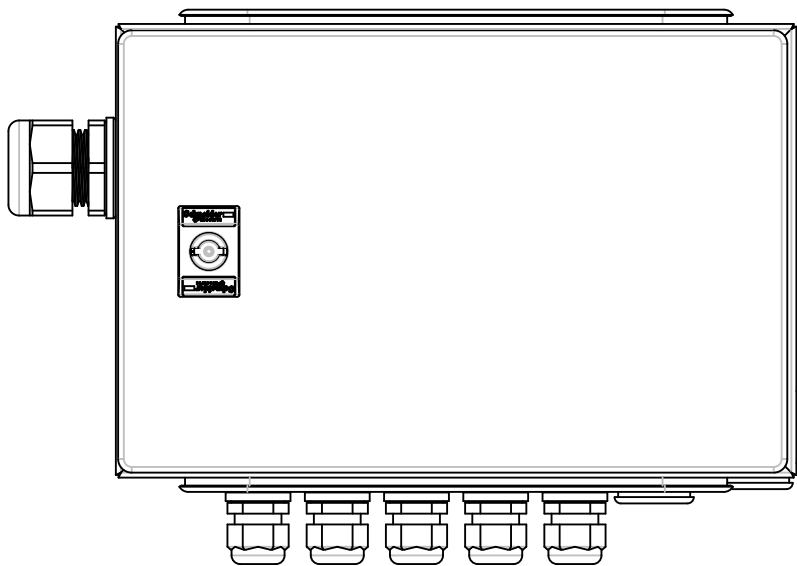
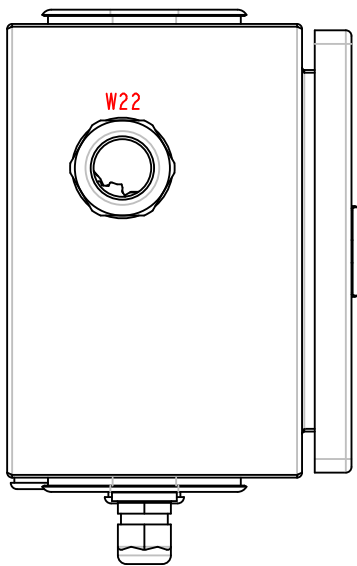
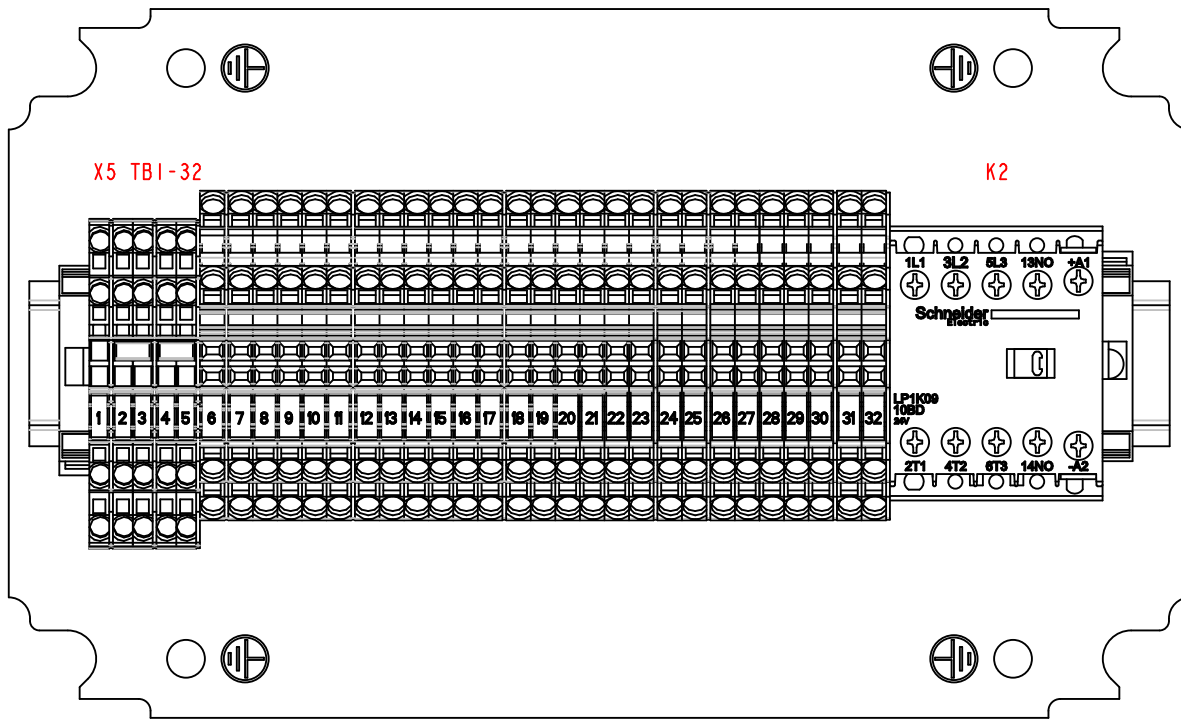





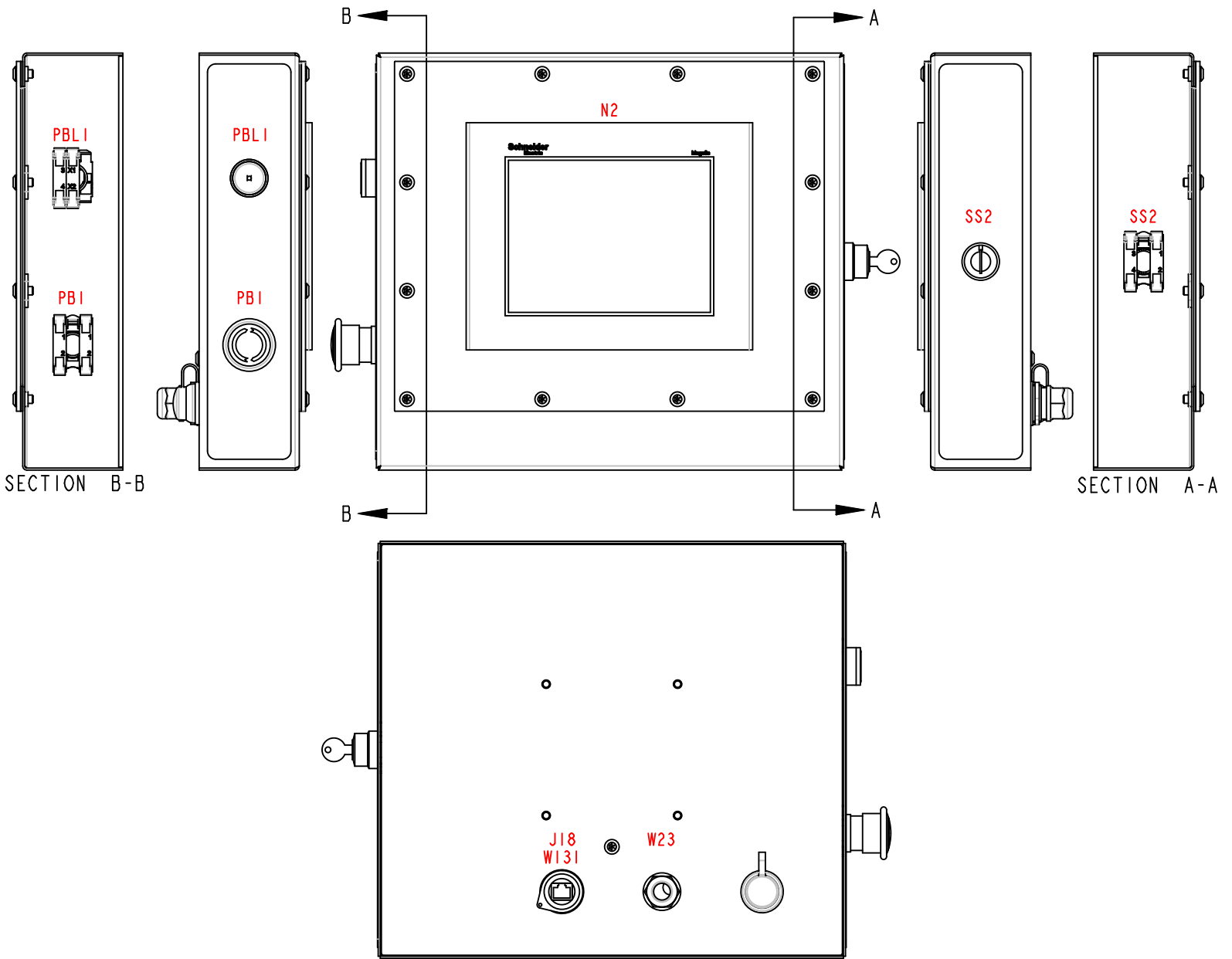


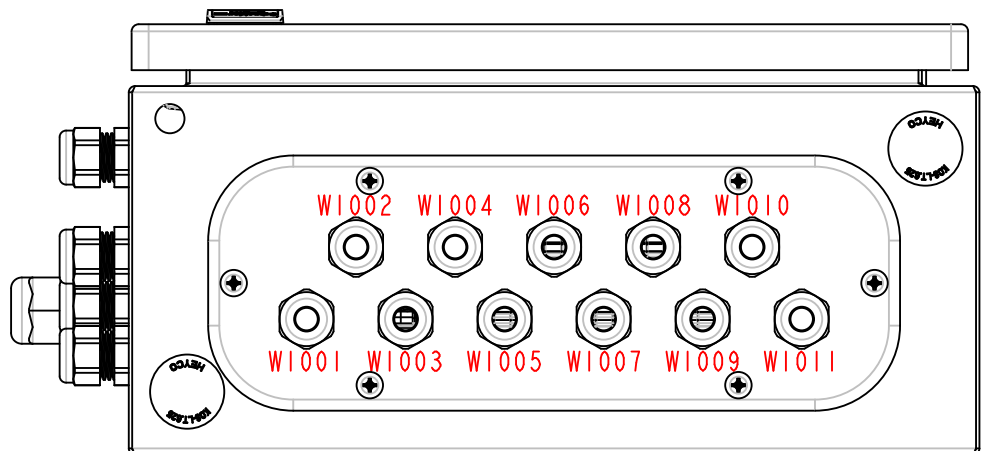
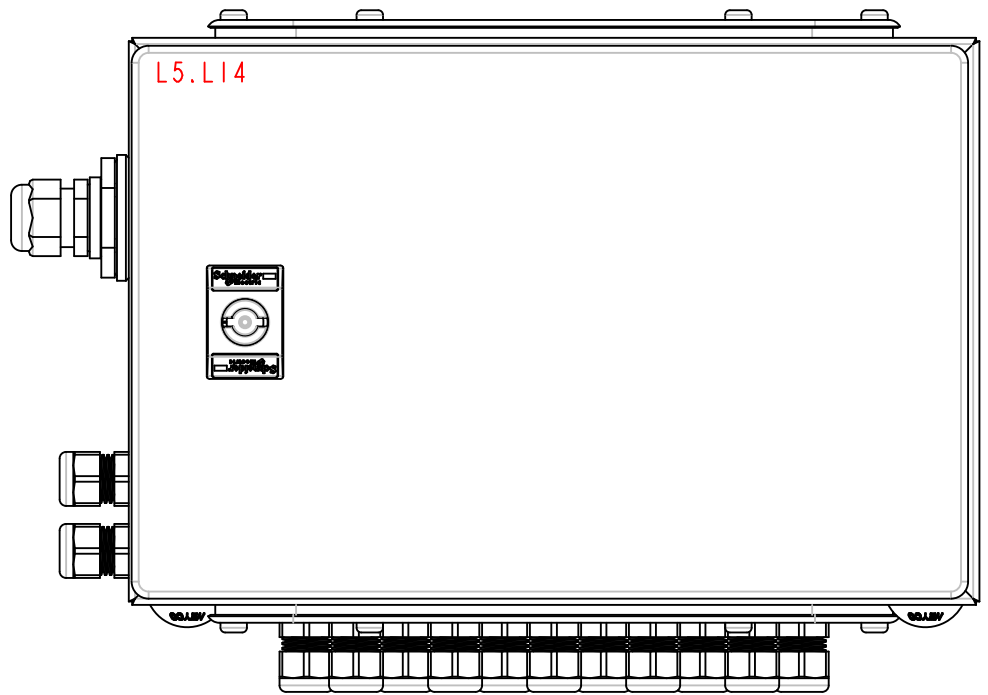
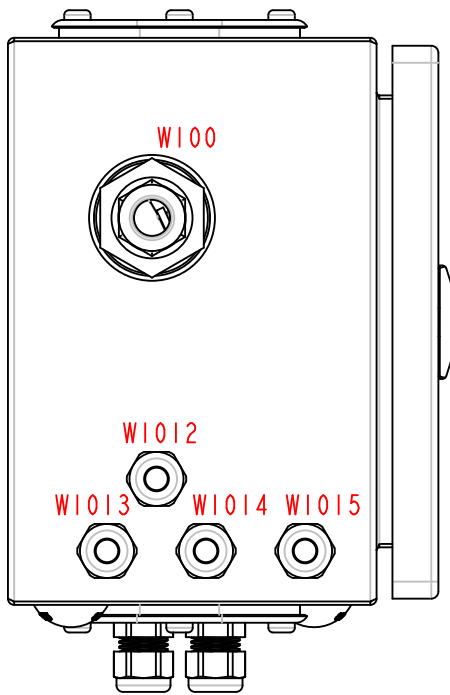
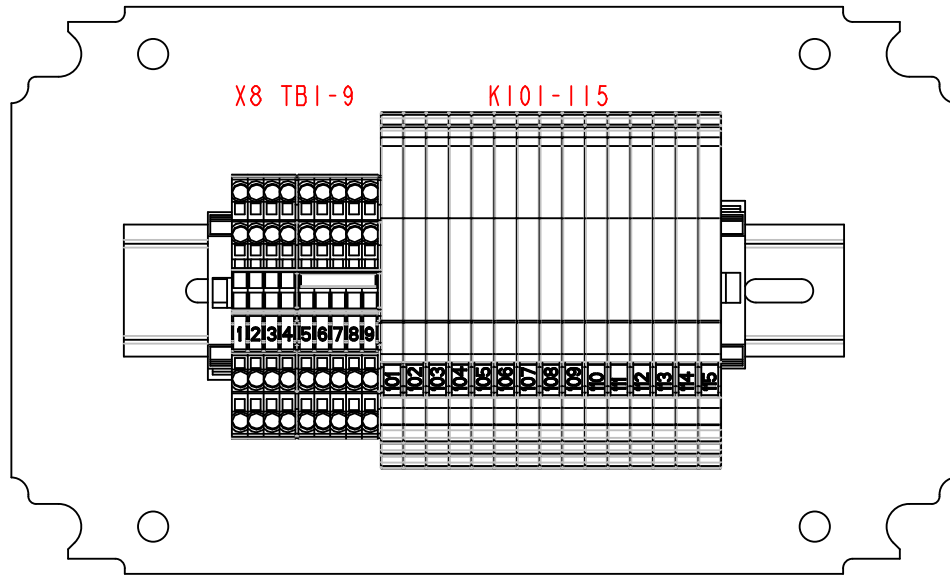


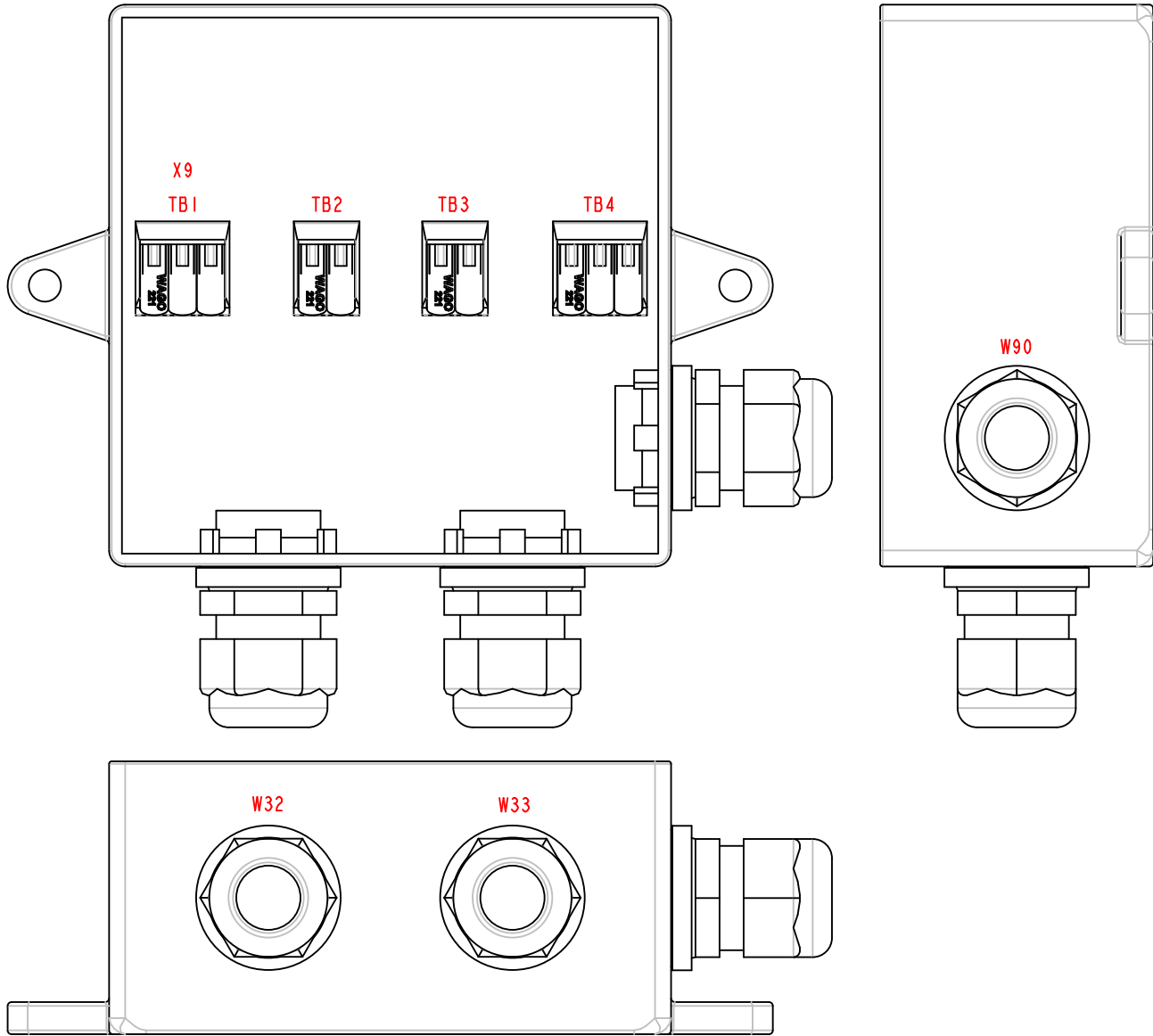




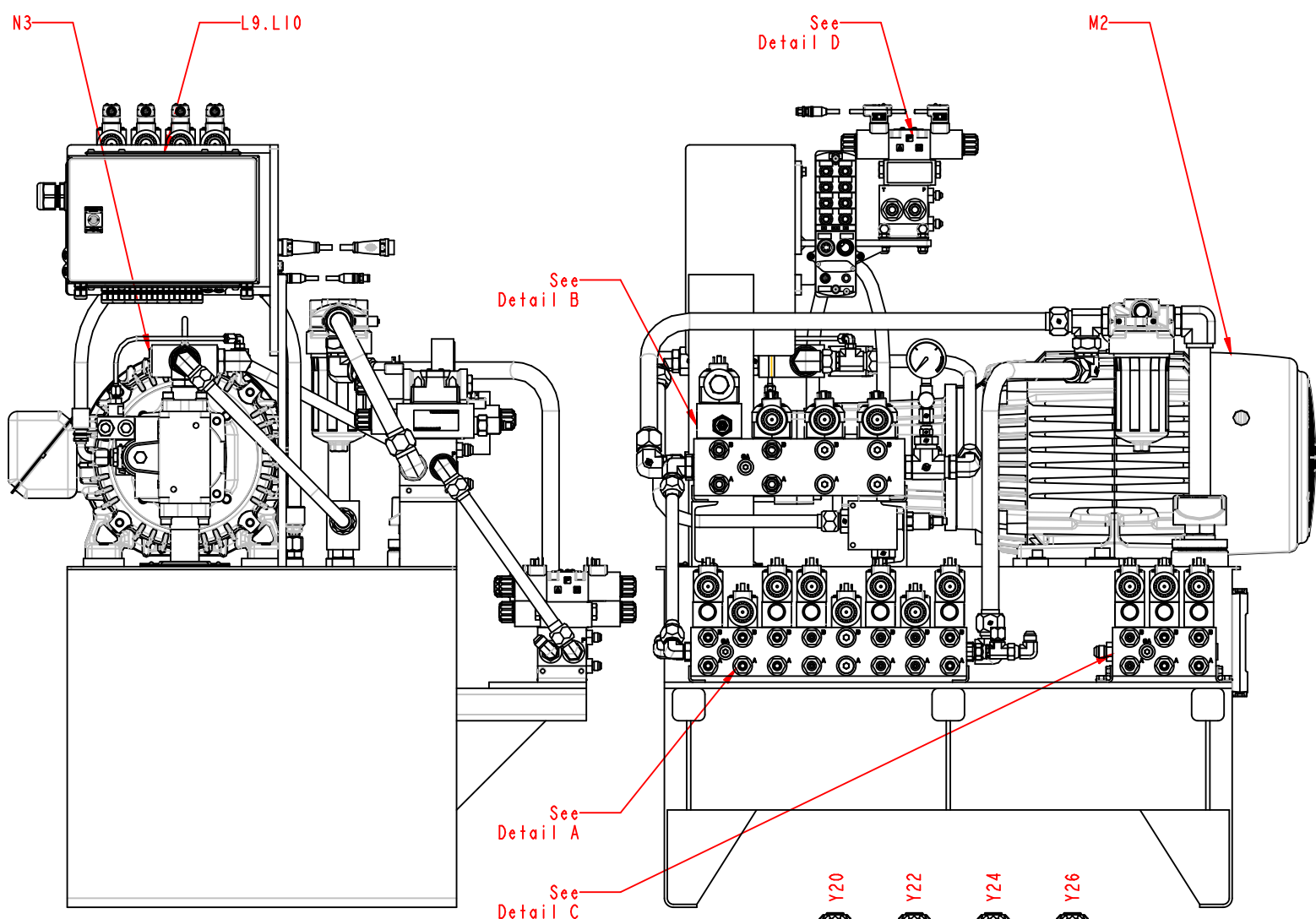
 <b>Wood-Mizer®</b>	
Project Description: WM4500 Bed Extension 12'	
Revision: A4.04	Pg Desc: Operator Ctl Junction Layout
Mounting Location: +Docs	Type: Panel layout
Prev. pg: F6	Page: F7
Next pg: F8	Total Pgs: 93



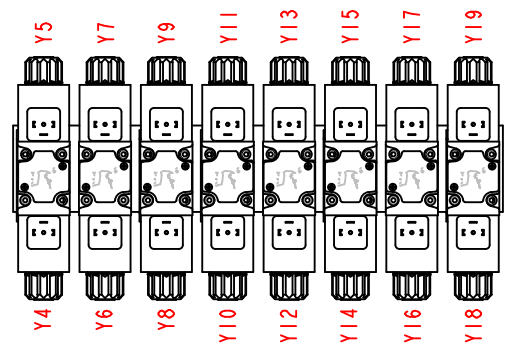




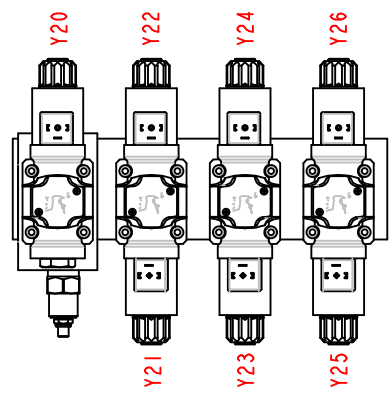




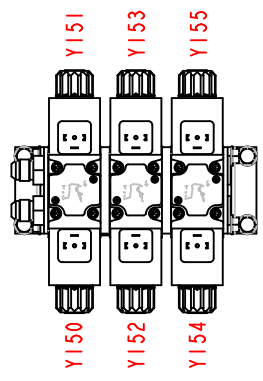
Detail A



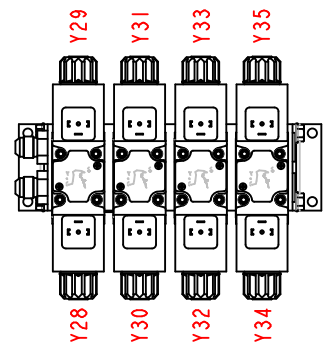
Detail B

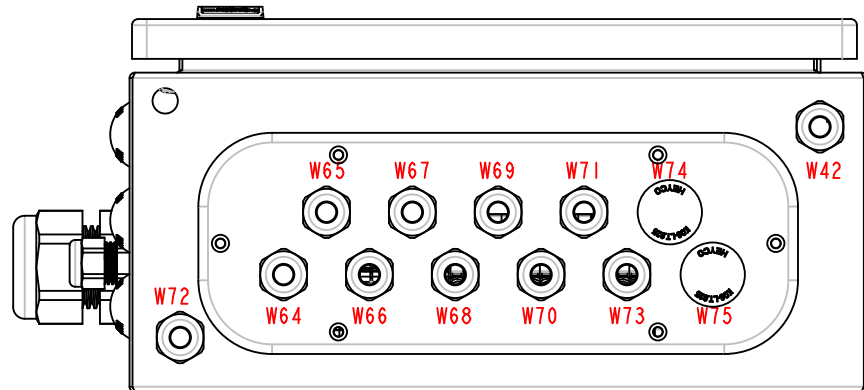
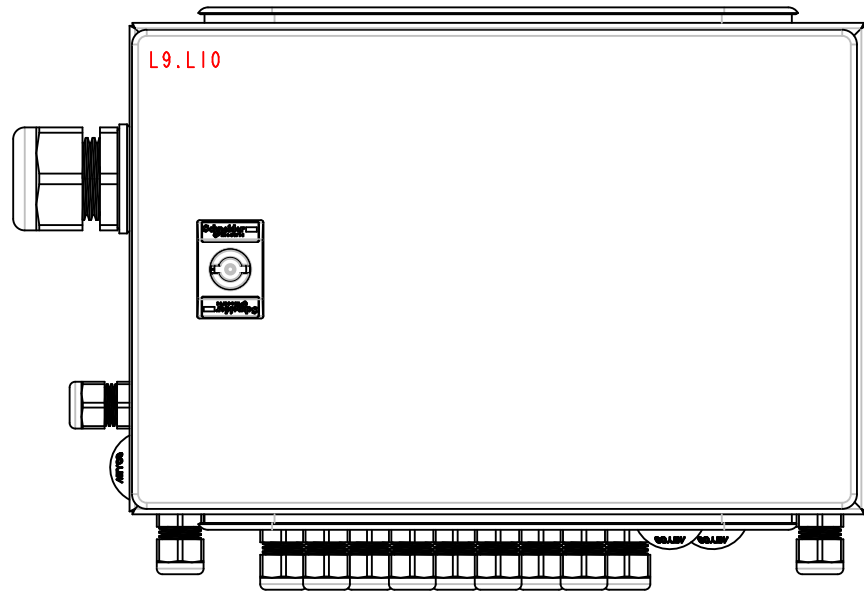
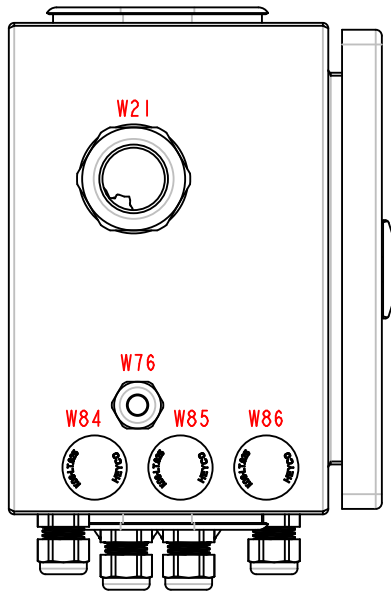
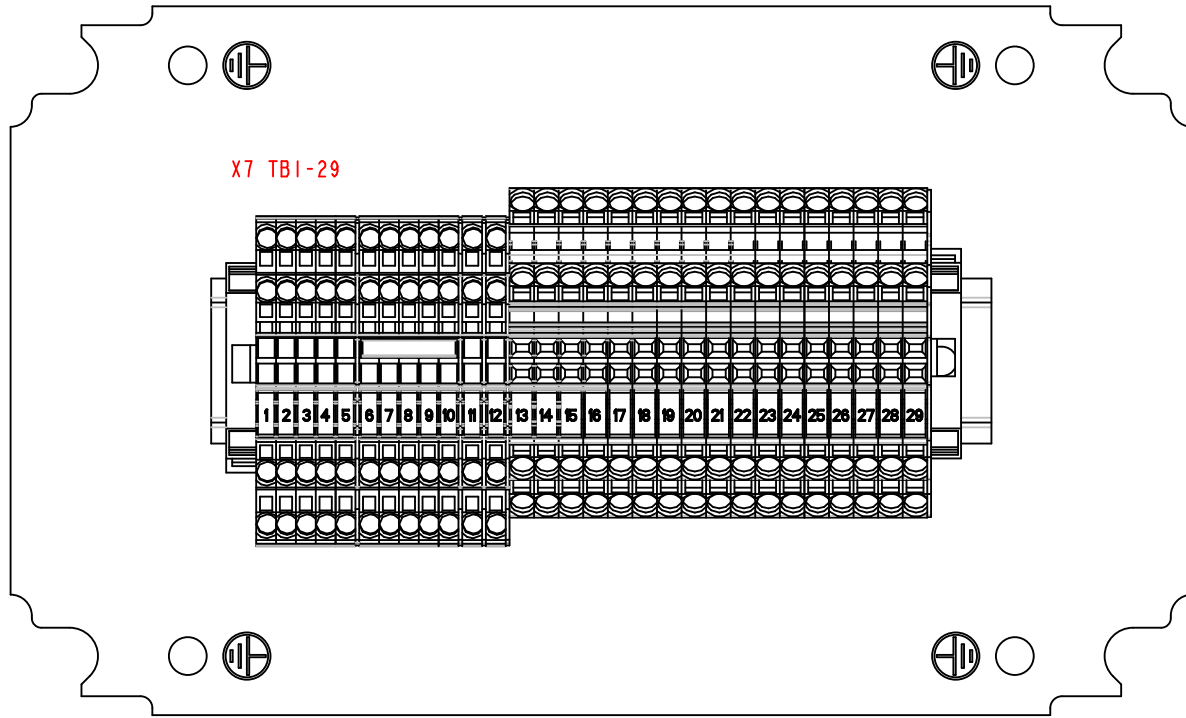


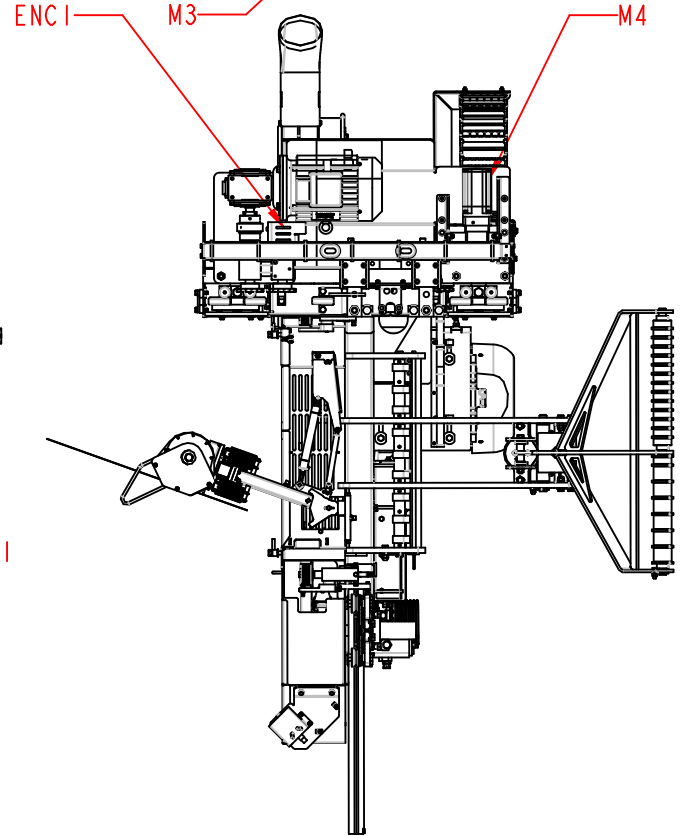
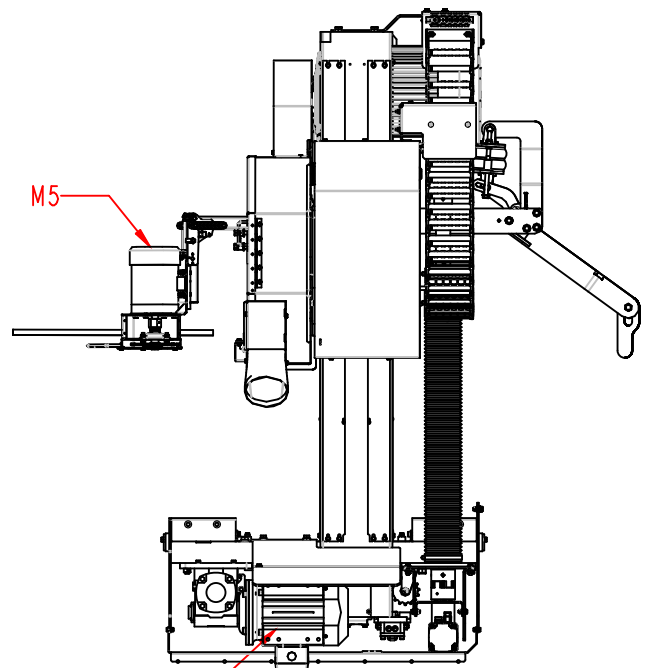
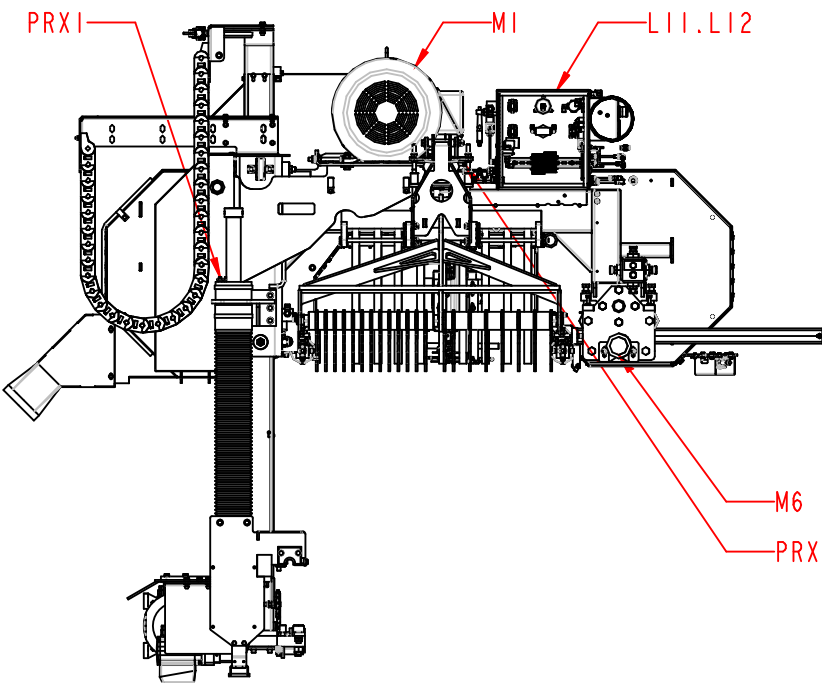
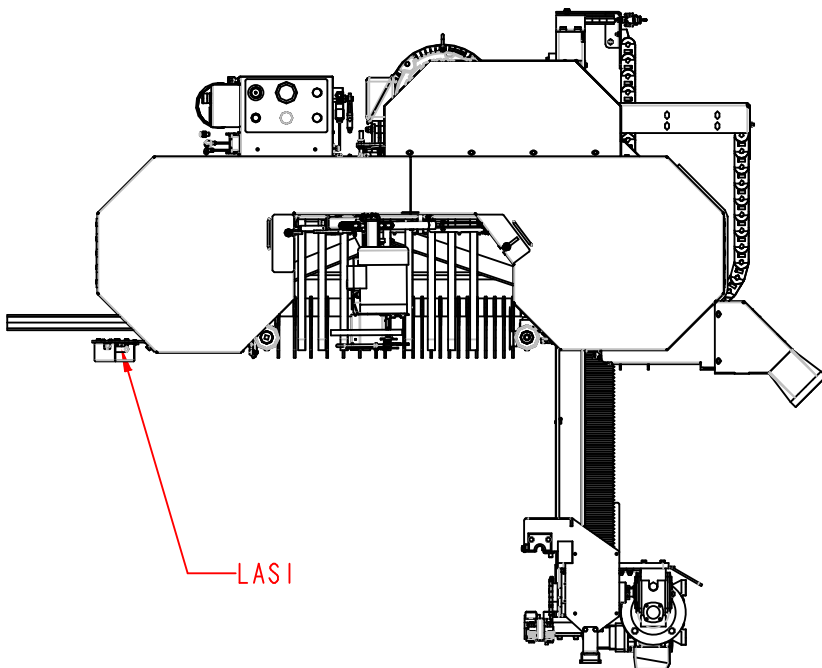
Detail C



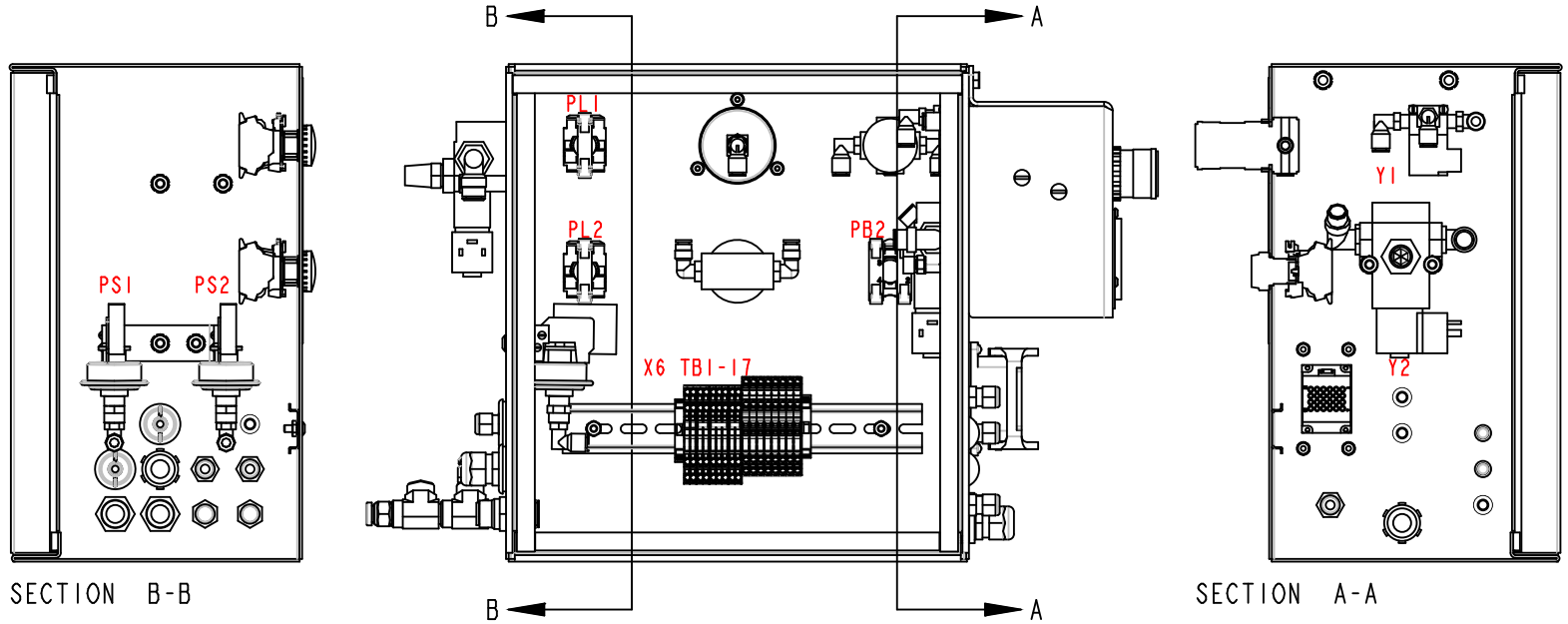
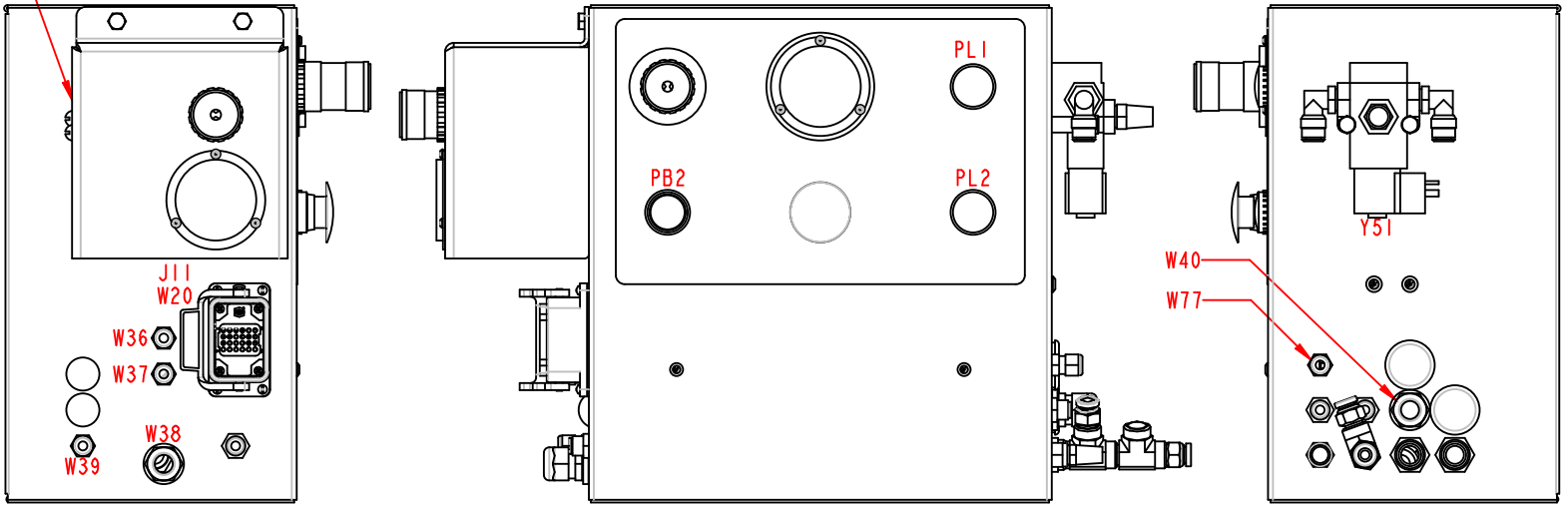
Detail D







Y3 (Inside Cover)  
Debarker In Solenoid




# Table of contents

Page	Page type	Page description	Date	Edited by
&MHA/A1	Table of contents	Table of contents	4/25/2024	JRF
&MHA/B1	Overview	Revision History	4/25/2024	JRF
&MHA+L9/1	Fluid power schematic	Hydraulic Pump	4/25/2024	JRF
&MHA+L9/2	Fluid power schematic	D05 Manifold Pg 1	4/25/2024	JRF
&MHA+L9/3	Fluid power schematic	D05 Manifold Pg 2	4/25/2024	JRF
&MHA+L9/4	Fluid power schematic	D05 Manifold Pg 3	4/25/2024	JRF
&MHA+L9/5	Fluid power schematic	D03 Manifold Pg 1	4/25/2024	JRF
&MHA+L9/6	Fluid power schematic	D03 Manifold Pg 1	4/25/2024	JRF
&MHA+L9/7	Fluid power schematic	D03 Manifold Pg 2	4/25/2024	JRF
&MHA+L9/8	Fluid power schematic	D03 Manifold Pg 2	4/25/2024	JRF
&MHA+L9/9	Fluid power schematic	D03 Manifold Pg 3	4/25/2024	JRF
&MHA+L9/10	Fluid power schematic	Bed Extension Manifold Pg 1	4/25/2024	JRF
&MHA+L9/11	Fluid power schematic	Bed Extension Manifold Pg 2	4/25/2024	JRF
&MHA+Docs/C1	Parts list	Parts list - Bed Extension 12'	4/25/2024	JRF
&MHA+Docs/C2	Parts list	Parts list - Bed Extension 12'	4/25/2024	JRF
&MHA+Docs/C3	Parts list	Parts list - Bed Extension 12'	4/25/2024	JRF
&MHA+Docs/K1	Connection list	Hose/Tube List-Bed Extension 12'	4/25/2024	JRF
&MHA+Docs/K2	Connection list	Hose/Tube List-Bed Extension 12'	4/25/2024	JRF
&MHA+Docs/K3	Connection list	Hose/Tube List-Bed Extension 12'	4/25/2024	JRF
&MHA+Docs/K4	Connection list	Hose/Tube List-Bed Extension 12'	4/25/2024	JRF

# Revision History

Date	Revision	Revision Record	Drawn By	Checked By
8/6/18	A1.00	Release to production	JRF	SDC
4/26/19	A2.00	Added Pull Down Clamp Functions	JRF	SDC
12/6/19	A3.00	Full Bed Extension	JRF	SDC

		<b>Wood-Mizer®</b>	
Project Description: WM4500 Bed Extension 12'			
Revision: A4.04		Pg Desc: Revision History	
Mounting Location: +		Type: Overview	
Prev. pg: A1	Page: B1	Next pg: +L9/1	Total Pgs: 93

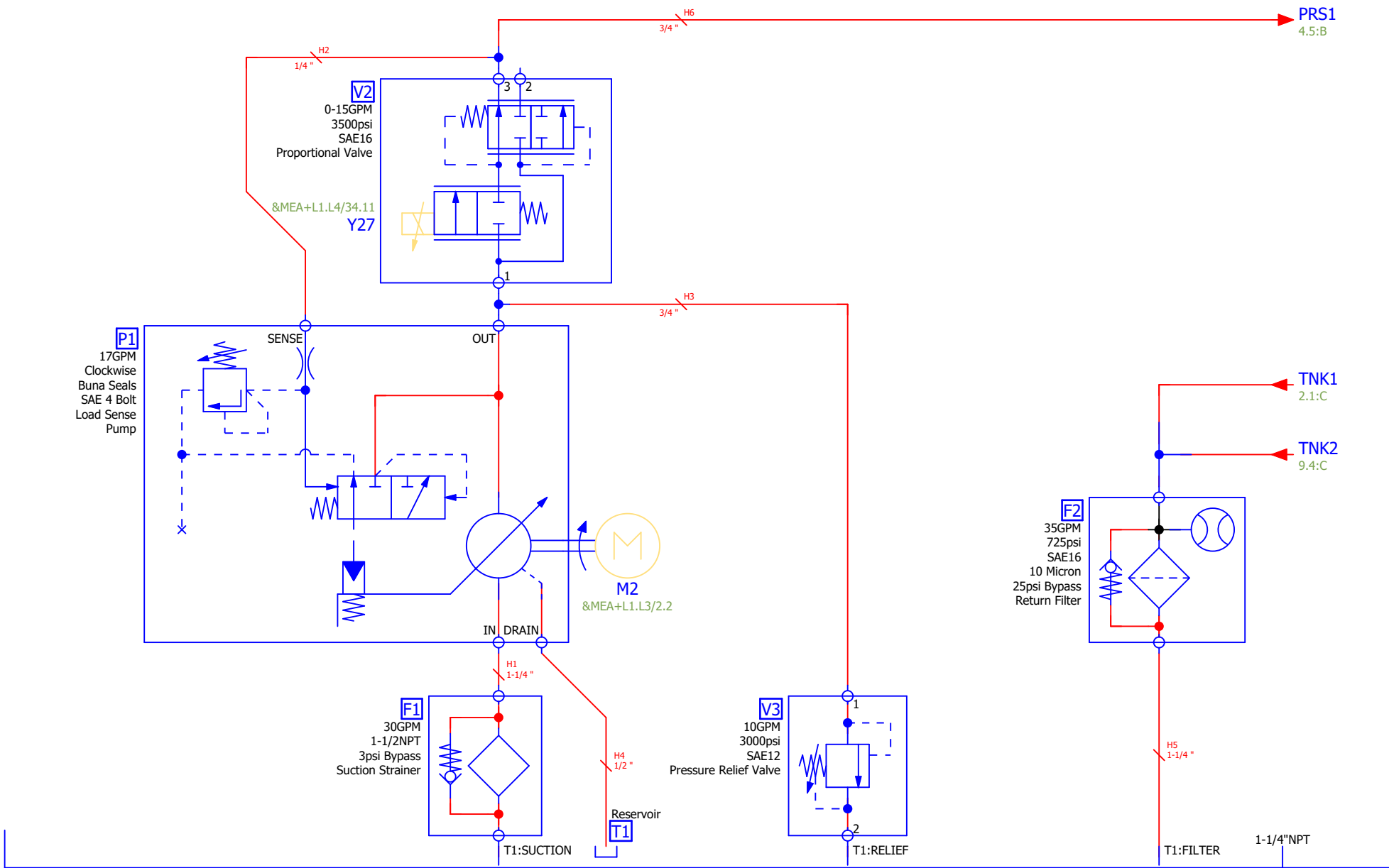
A

B

C

D

E



<b>Wood-Mizer®</b>			
Project Description: WM4500 Bed Extension 12'			
Revision:	A4.04	Pg Desc: Hydraulic Pump	
Mounting Location:	+L9	Type: Fluid power schematic	
Prev. pg:	+/B1	Page:	1
		Next pg:	2
		Total Pgs:	93

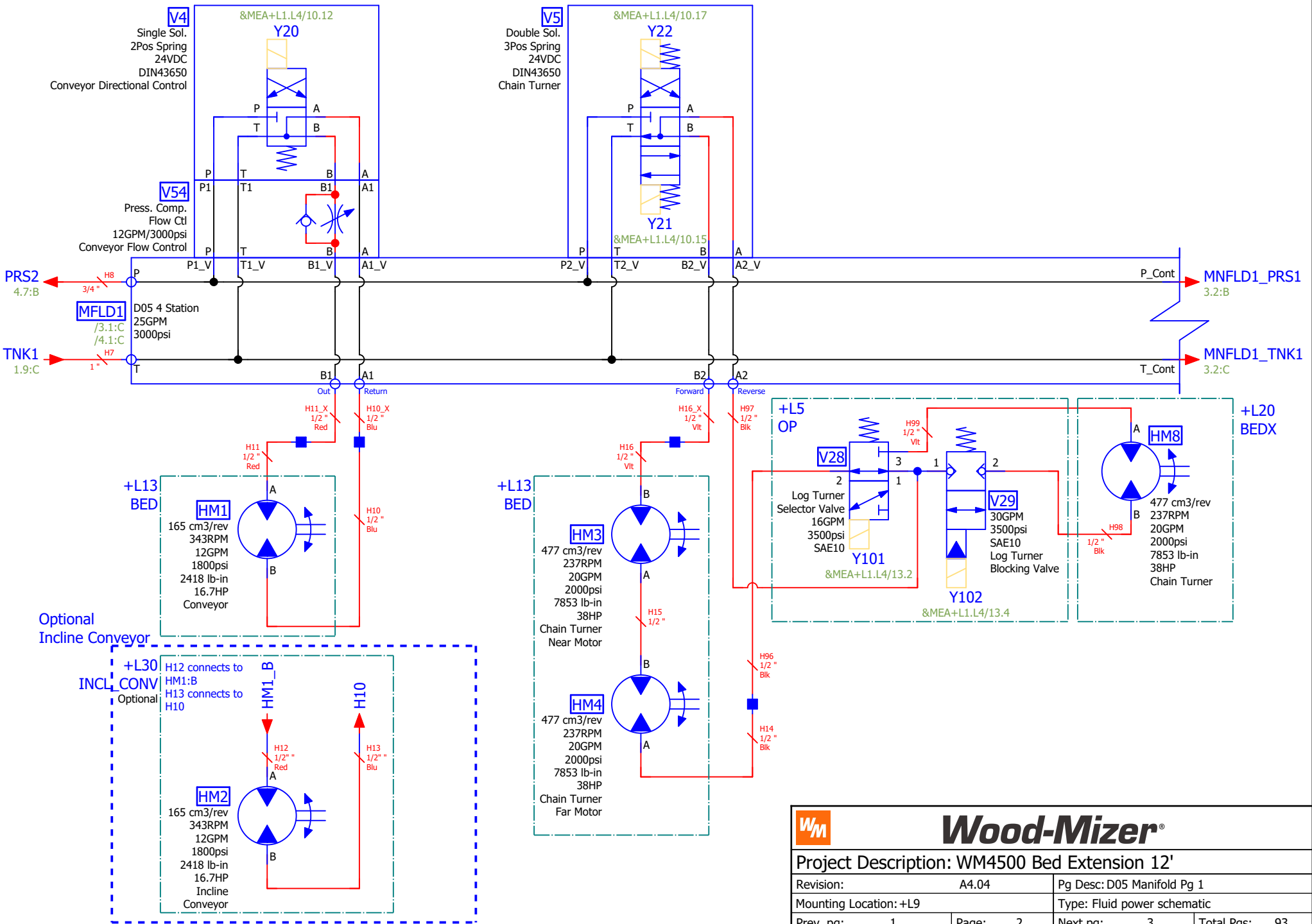
A

B

C

D

E



**WM** **Wood-Mizer®**

**Project Description: WM4500 Bed Extension 12'**

Revision: A4.04	Pg Desc: D05 Manifold Pg 1
Mounting Location: +L9	Type: Fluid power schematic
Prev. pg: 1	Page: 2
Next pg: 3	Total Pgs: 93



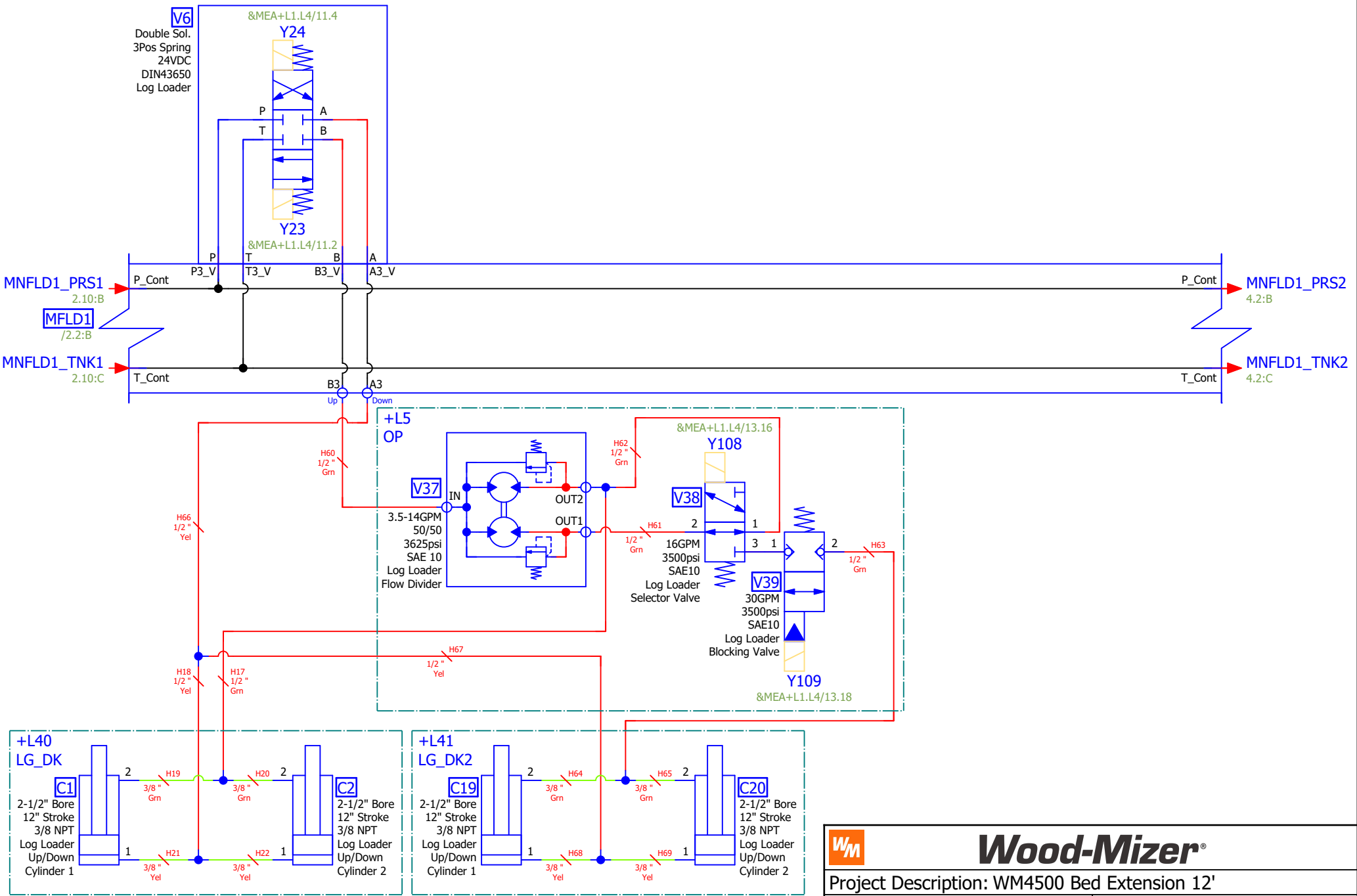
A

B

C

D

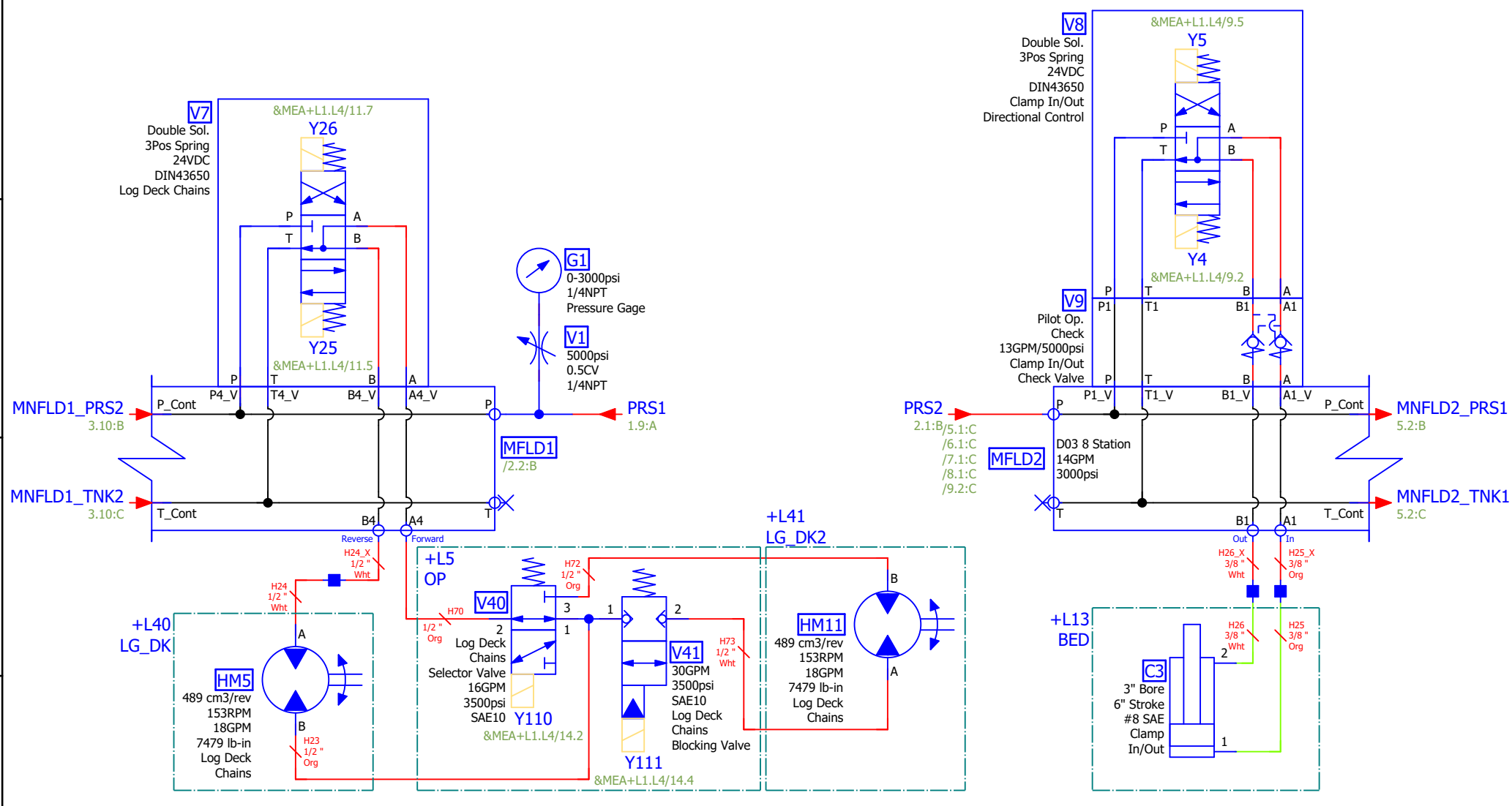
E



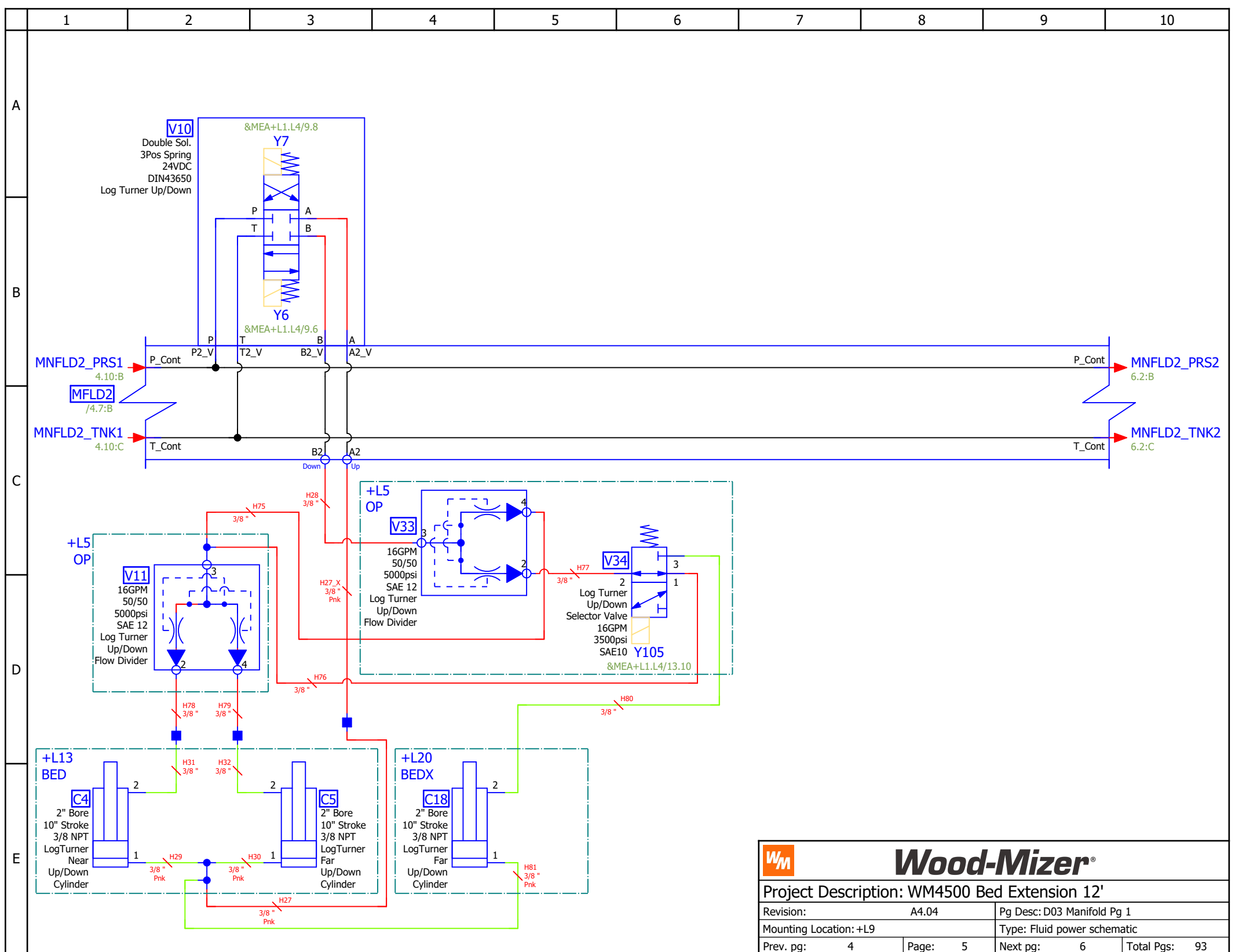
**WM** **Wood-Mizer®**


**Project Description: WM4500 Bed Extension 12'**

Revision: A4.04	Pg Desc: D05 Manifold Pg 2
Mounting Location: +L9	Type: Fluid power schematic
Prev. pg: 2	Page: 3
Next pg: 4	Total Pgs: 93



<b>Wood-Mizer®</b>			
Project Description: WM4500 Bed Extension 12'			
Revision:	A4.04	Pg Desc: D05 Manifold Pg 3	
Mounting Location:	+L9	Type: Fluid power schematic	
Prev. pg:	3	Page:	4
		Next pg:	5
		Total Pgs:	93



 <b>Wood-Mizer®</b>			
Project Description: WM4500 Bed Extension 12'			
Revision:	A4.04	Pg Desc: D03 Manifold Pg 1	
Mounting Location:	+L9	Type: Fluid power schematic	
Prev. pg:	4	Page:	5
		Next pg:	6
		Total Pgs:	93

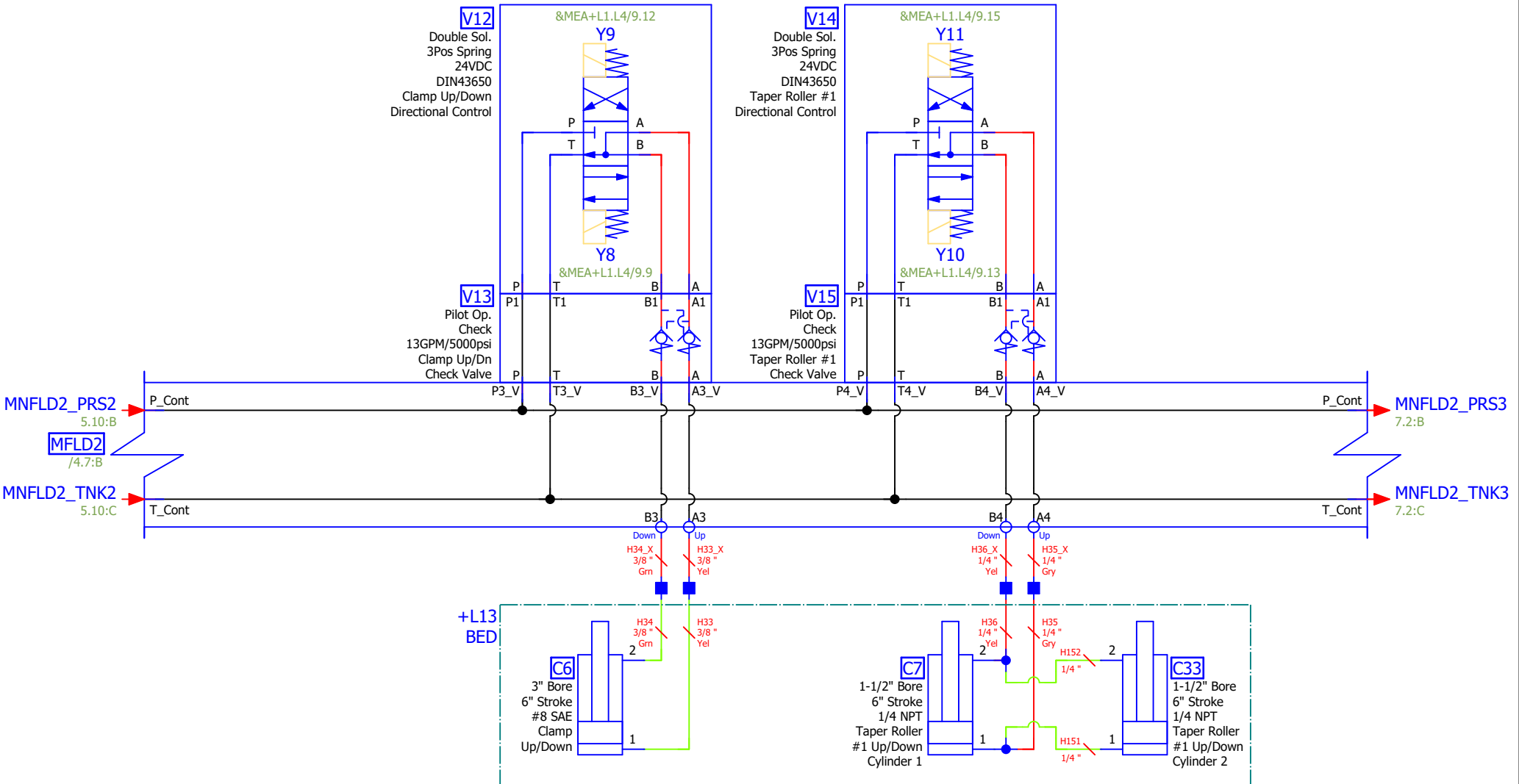
A

B

C

D

E



**WM** **Wood-Mizer®**

Project Description: WM4500 Bed Extension 12'

Revision:	A4.04	Pg Desc:	D03 Manifold Pg 1
Mounting Location:	+L9	Type:	Fluid power schematic
Prev. pg:	5	Page:	6
		Next pg:	7
		Total Pgs:	93

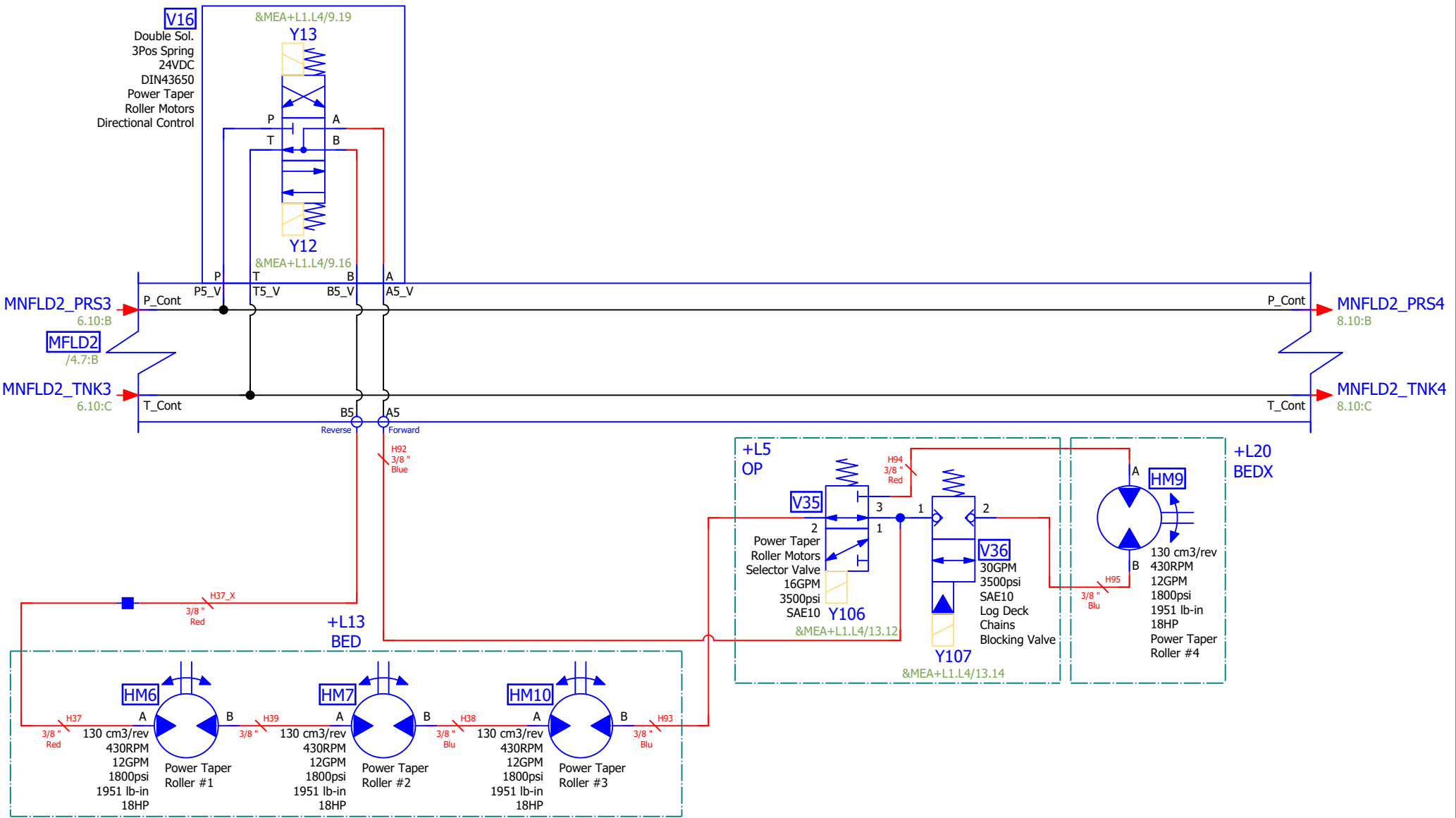
A

B

C

D

E



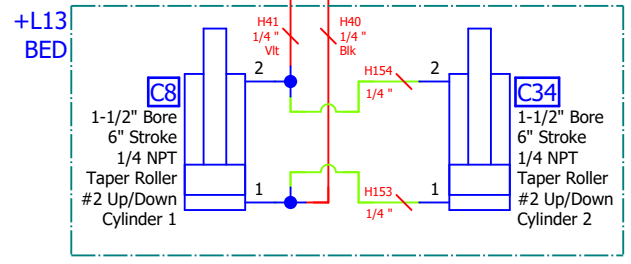
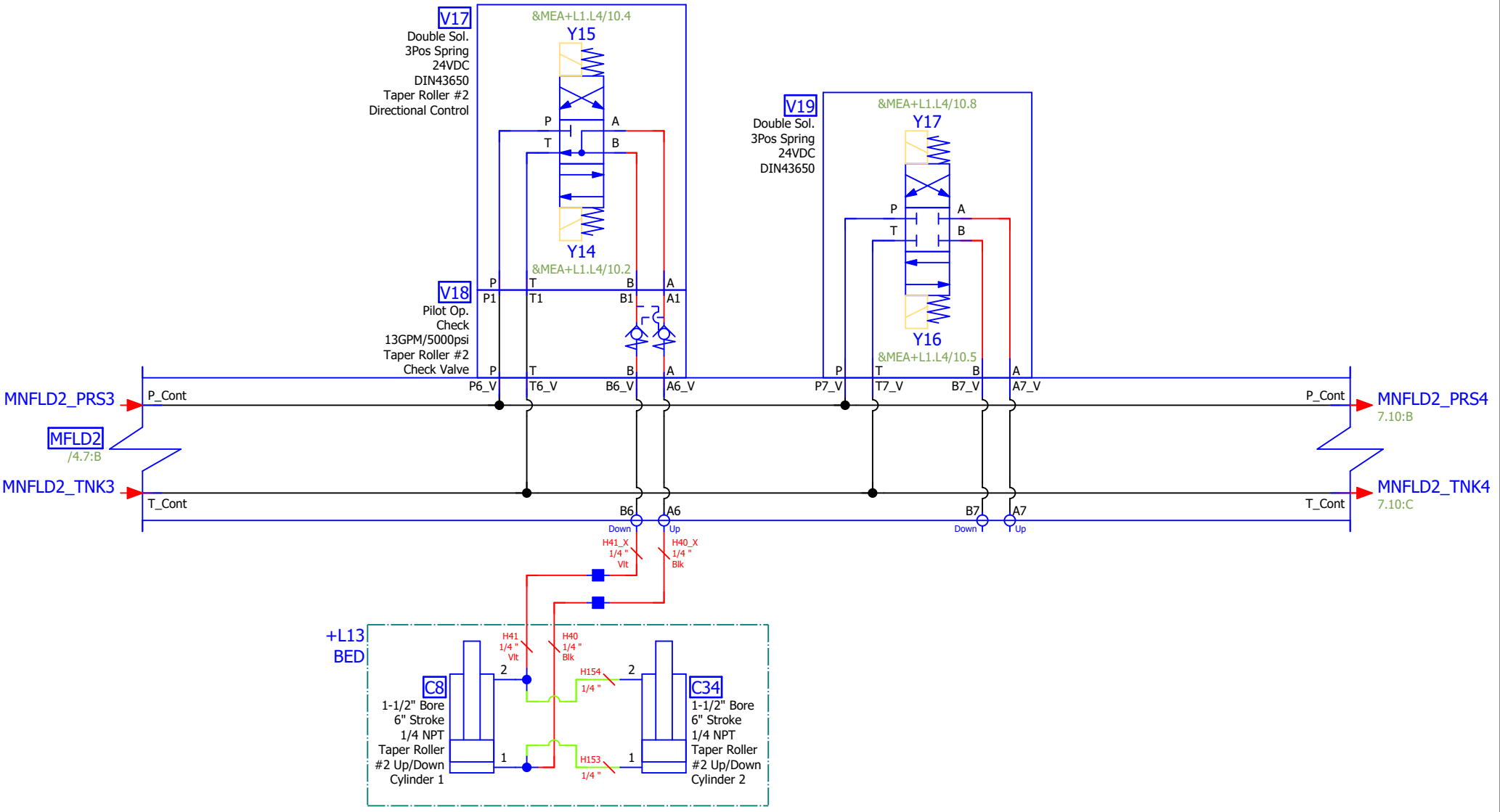
A

B

C

D

E



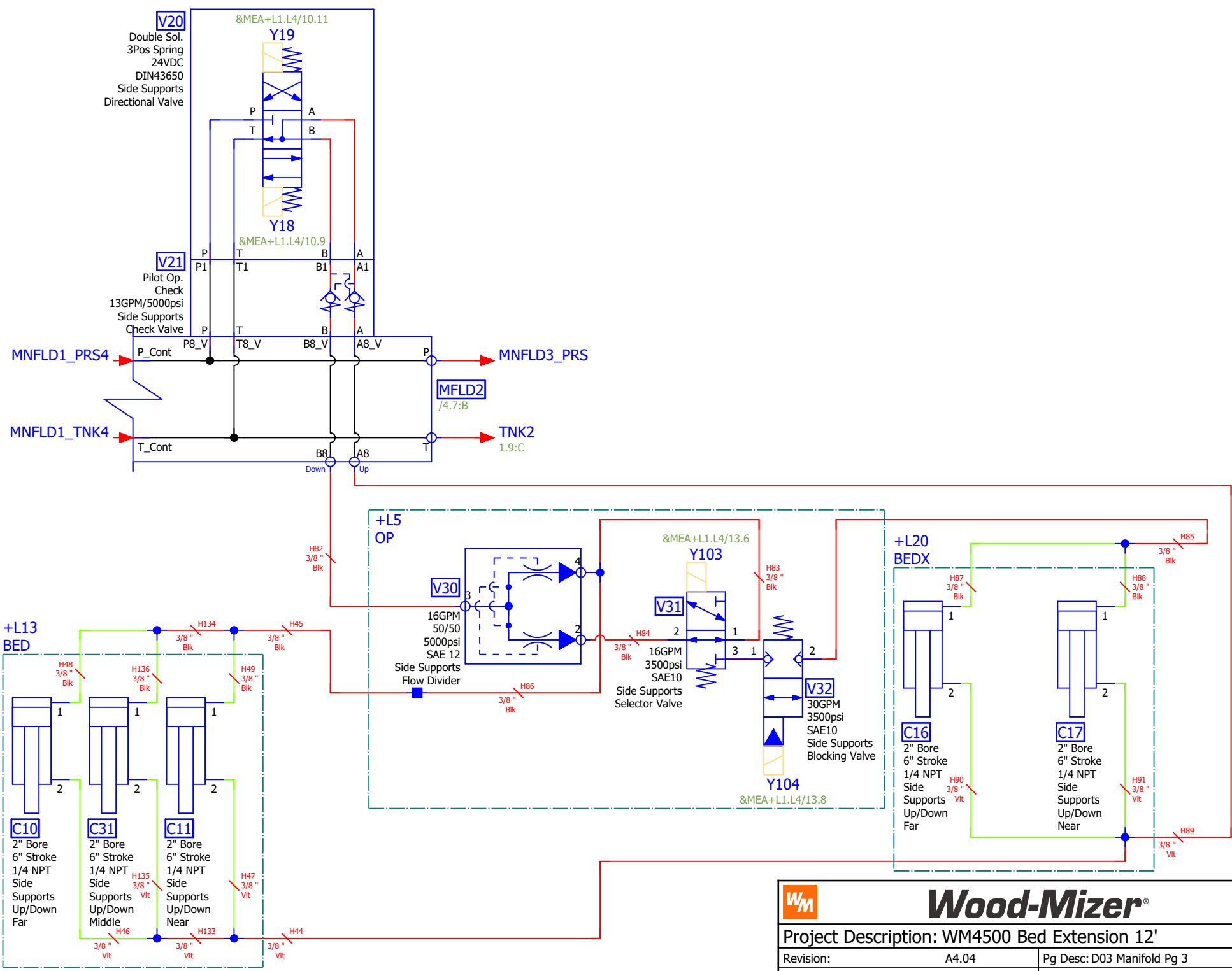
A

B

C

D

E



<b>Project Description: WM4500 Bed Extension 12'</b>			
Revision:	A4.04	Pg Desc: D03 Manifold Pg 3	
Mounting Location:	+L9	Type: Fluid power schematic	
Prev. pg:	8	Page:	9
		Next pg:	10
		Total Pgs:	93

A

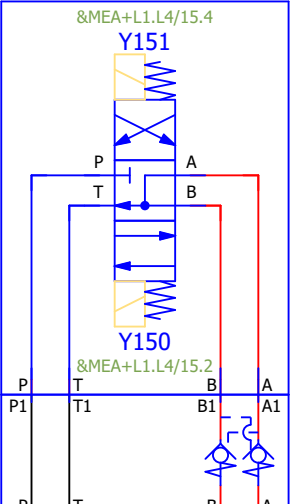
B

C

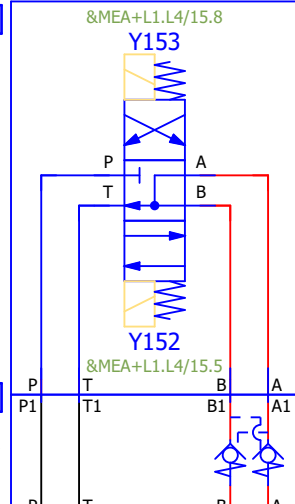
D

E

**V22**  
 Double Sol.  
 3Pos Spring  
 24VDC  
 DIN43650  
 Power Taper  
 Rollers 3 & 4  
 Up/Down  
 Directional Valve

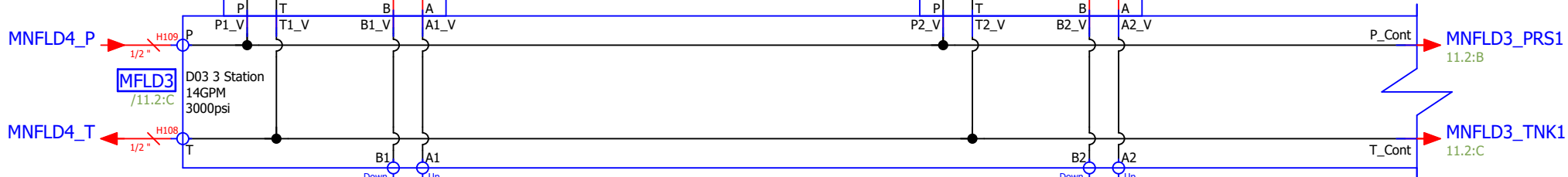


**V24**  
 Double Sol.  
 3Pos Spring  
 24VDC  
 DIN43650  
 Bed Extension  
 Clamps  
 Up/Down  
 Directional Valve



**V23**  
 Pilot Op.  
 Check  
 13GPM/5000psi

**V25**  
 Pilot Op.  
 Check  
 13GPM/5000psi



MNFLD4\_P  
 H109  
 1/2"

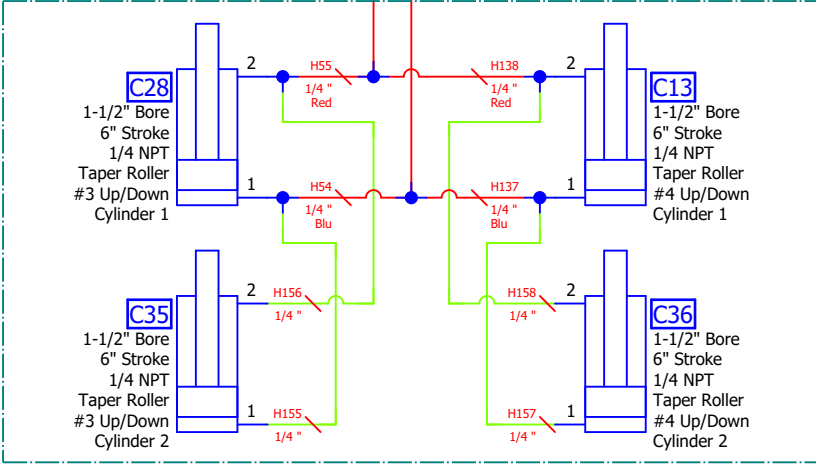
MNFLD4\_T  
 H108  
 1/2"

**MFLD3**  
 D03 3 Station  
 14GPM  
 3000psi  
 /11.2:C

P\_Cont  
 MNFLD3\_PRS1  
 11.2:B

T\_Cont  
 MNFLD3\_TNK1  
 11.2:C

+L20  
 BEDX



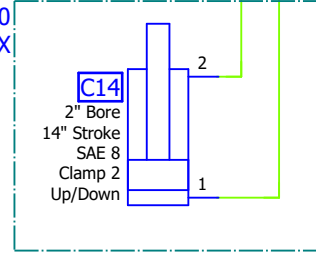
**C28**  
 1-1/2" Bore  
 6" Stroke  
 1/4 NPT  
 Taper Roller  
 #3 Up/Down  
 Cylinder 1

**C13**  
 1-1/2" Bore  
 6" Stroke  
 1/4 NPT  
 Taper Roller  
 #4 Up/Down  
 Cylinder 1

**C35**  
 1-1/2" Bore  
 6" Stroke  
 1/4 NPT  
 Taper Roller  
 #3 Up/Down  
 Cylinder 2

**C36**  
 1-1/2" Bore  
 6" Stroke  
 1/4 NPT  
 Taper Roller  
 #4 Up/Down  
 Cylinder 2

+L20  
 BEDX



**C14**  
 2" Bore  
 14" Stroke  
 SAE 8  
 Clamp 2  
 Up/Down

		<b>Wood-Mizer®</b>	
Project Description: WM4500 Bed Extension 12'			
Revision:	A4.04	Pg Desc: Bed Extension Manifold Pg 1	
Mounting Location:	+L9	Type: Fluid power schematic	
Prev. pg:	9	Page:	10
		Next pg:	11
		Total Pgs:	93



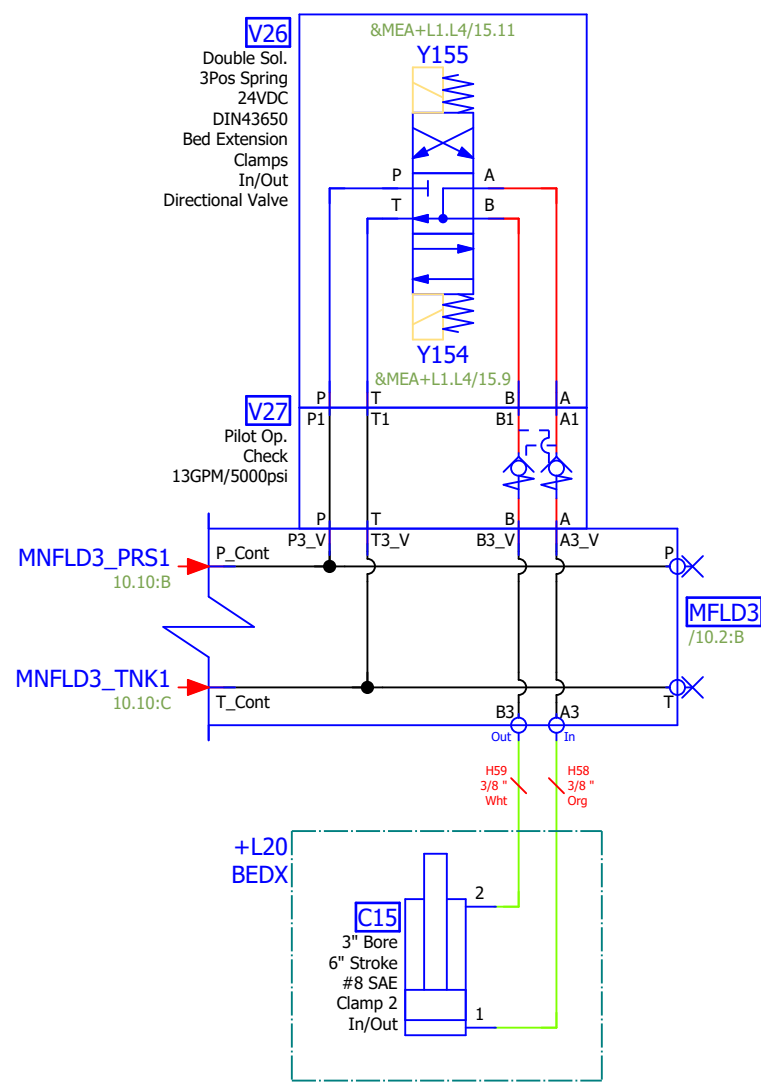
A

B

C

D


E



# Device Tag/Parts List


WM\_PARTS\_LIST\_Fluid-Manual

Device tag	Function	Wood-Mizer Part Number	Wood-Mizer Description		Qty.	X-Ref
C1	Log Loader Up/Down Cylinder 1	050105	Cylinder, 2-1/2 Bore x 12x221/4		1	+L9/3.302:AE
C1	=	P12955	Seal Kit, 2 1/2x8 Hydraulic Cylinder	Replacement Seals	1	+L9/3.302:AE
C2	Log Loader Up/Down Cylinder 2	050105	Cylinder, 2-1/2 Bore x 12x221/4		1	+L9/3.303:AE
C2	=	P12955	Seal Kit, 2 1/2x8 Hydraulic Cylinder	Replacement Seals	1	+L9/3.303:AE
C3	Clamp In/Out	062700	Cylinder, Hyd 3x6		1	+L9/4.409:AC
C4	LogTurner Near Up/Down Cylinder	034267	Cylinder, 2x10 Rod End Welded 16"		1	+L9/5.502:AE
C4	=	003814	Seal Kit, Hyd Cylinder, 2x10 (034267)	Replacement Seals	1	+L9/5.502:AE
C5	LogTurner Far Up/Down Cylinder	034267	Cylinder, 2x10 Rod End Welded 16"		1	+L9/5.503:AE
C5	=	003814	Seal Kit, Hyd Cylinder, 2x10 (034267)	Replacement Seals	1	+L9/5.503:AE
C6	Clamp Up/Down	062700	Cylinder, Hyd 3x6		1	+L9/6.605:AC
C7	Taper Roller #1 Up/Down Cylinder 1	014482	Cylinder, 1 1/2x6 Rod End In Line Ports		1	+L9/6.607:AC
C7	=	014547	Seal Kit, 1 1/2x6 Hyd Cyl	Replacement Seals	1	+L9/6.607:AC
C8	Taper Roller #2 Up/Down Cylinder 1	014482	Cylinder, 1 1/2x6 Rod End In Line Ports		1	+L9/8.804:AD
C8	=	014547	Seal Kit, 1 1/2x6 Hyd Cyl	Replacement Seals	1	+L9/8.804:AD
C10	Side Supports Up/Down Far	035625	Cylinder, 2x6, 1/4 NPT Port		1	+L9/9.901:AD
C10	=	003812	Seal Kit, Hyd Cylinder, 2x6 (035625)	Replacement Seals	1	+L9/9.901:AD
C11	Side Supports Up/Down Near	035625	Cylinder, 2x6, 1/4 NPT Port		1	+L9/9.903:AD
C11	=	003812	Seal Kit, Hyd Cylinder, 2x6 (035625)	Replacement Seals	1	+L9/9.903:AD
C13	Taper Roller #4 Up/Down Cylinder 1	014482	Cylinder, 1 1/2x6 Rod End In Line Ports		1	+L9/10.1004:AC
C13	=	014547	Seal Kit, 1 1/2x6 Hyd Cyl		1	+L9/10.1004:AC
C14	Clamp 2 Up/Down	062701	Cylinder, Hyd 2x14		1	+L9/10.1007:AC
C15	Clamp 2 In/Out	062700	Cylinder, Hyd 3x6		1	+L9/11.1103:AC
C16	Side Supports Up/Down Far	035625	Cylinder, 2x6, 1/4 NPT Port		1	+L9/9.908:AD
C16	=	003812	Seal Kit, Hyd Cylinder, 2x6 (035625)	Replacement Seals	1	+L9/9.908:AD
C17	Side Supports Up/Down Near	035625	Cylinder, 2x6, 1/4 NPT Port		1	+L9/9.909:AD
C17	=	003812	Seal Kit, Hyd Cylinder, 2x6 (035625)	Replacement Seals	1	+L9/9.909:AD
C18	LogTurner Far Up/Down Cylinder	034267	Cylinder, 2x10 Rod End Welded 16"		1	+L9/5.505:AE
C18	=	003814	Seal Kit, Hyd Cylinder, 2x10 (034267)	Replacement Seals	1	+L9/5.505:AE
C19	Log Loader Up/Down Cylinder 1	050105	Cylinder, 2-1/2 Bore x 12x221/4		1	+L9/3.305:AE
C19	=	P12955	Seal Kit, 2 1/2x8 Hydraulic Cylinder	Replacement Seals	1	+L9/3.305:AE
C20	Log Loader Up/Down Cylinder 2	050105	Cylinder, 2-1/2 Bore x 12x221/4		1	+L9/3.306:AE
C20	=	P12955	Seal Kit, 2 1/2x8 Hydraulic Cylinder	Replacement Seals	1	+L9/3.306:AE
C28	Taper Roller #3 Up/Down Cylinder 1	014482	Cylinder, 1 1/2x6 Rod End In Line Ports		1	+L9/10.1003:AC
C28	=	014547	Seal Kit, 1 1/2x6 Hyd Cyl		1	+L9/10.1003:AC
C31	Side Supports Up/Down Middle	035625	Cylinder, 2x6, 1/4 NPT Port		1	+L9/9.902:AD
C31	=	003812	Seal Kit, Hyd Cylinder, 2x6 (035625)	Replacement Seals	1	+L9/9.902:AD
C33	Taper Roller #1 Up/Down Cylinder 2	014482	Cylinder, 1 1/2x6 Rod End In Line Ports		1	+L9/6.608:AC
C33	=	014547	Seal Kit, 1 1/2x6 Hyd Cyl	Replacement Seals	1	+L9/6.608:AC
C34	Taper Roller #2 Up/Down Cylinder 2	014482	Cylinder, 1 1/2x6 Rod End In Line Ports		1	+L9/8.805:AD
C34	=	014547	Seal Kit, 1 1/2x6 Hyd Cyl	Replacement Seals	1	+L9/8.805:AD
C35	Taper Roller #3 Up/Down Cylinder 2	014482	Cylinder, 1 1/2x6 Rod End In Line Ports		1	+L9/10.1003:AD
C35	=	014547	Seal Kit, 1 1/2x6 Hyd Cyl		1	+L9/10.1003:AD
C36	Taper Roller #4 Up/Down Cylinder 2	014482	Cylinder, 1 1/2x6 Rod End In Line Ports		1	+L9/10.1004:AD
C36	=	014547	Seal Kit, 1 1/2x6 Hyd Cyl		1	+L9/10.1004:AD
F1	Suction Strainer	078690	Strainer, Suction w/Bypass		1	+L9/1.104:AD
F2	Return Filter	078395	Filter, Hyd Cstr 35GPM 725psi wind SAE16		1	+L9/1.108:AC

		<b>Wood-Mizer®</b>	
Project Description: WM4500 Bed Extension 12'			
Revision:	A4.04	Pg Desc: Parts list - Bed Extension 12'	
Mounting Location: +Docs		Type: Parts list	
Prev. pg: +L9/11	Page: C1	Next pg: C2	Total Pgs: 93


# Device Tag/Parts List

Device tag	Function	Wood-Mizer Part Number	Wood-Mizer Description		Qty.	X-Ref
F2	Return Filter	078341	Filter, Hyd. Element 10 Micron 25psi Byp	Replacement Element	1	+L9/1.108:AC
G1	Pressure Gage	068265	Gauge, Pressure VPG25N3KL		1	+L9/4.404:AB
HM1	Conveyor	P20206	Motor, Hydraulic, TB0165FP100AAAA		1	+L9/2.203:AD
HM1	=	061136	Kit, Hydraulic Motor Seal	Replacement Seals	1	+L9/2.203:AD
HM2	Incline Conveyor	P20206	Motor, Hydraulic, TB0165FP100AAAA		1	+L9/2.203:AE
HM2	=	061136	Kit, Hydraulic Motor Seal	Replacement Seals	1	+L9/2.203:AE
HM3	Chain Turner Near Motor	007331	Motor, Hydraulic, TG0475US0800AAFU		1	+L9/2.206:AD
HM4	Chain Turner Far Motor	007331	Motor, Hydraulic, TG0475US0800AAFU		1	+L9/2.206:AD
HM5	Log Deck Chains	056062	Motor, Hyd Log Deck		1	+L9/4.403:AD
HM6	Power Taper Roller #1	074281	Motor, Hydraulic, TB0130FP130AAAA		1	+L9/7.702:AD
HM6	=	061136	Kit, Hydraulic Motor Seal	Replacement Seals	1	+L9/7.702:AD
HM7	Power Taper Roller #2	074281	Motor, Hydraulic, TB0130FP130AAAA		1	+L9/7.703:AD
HM7	=	061136	Kit, Hydraulic Motor Seal	Replacement Seals	1	+L9/7.703:AD
HM8	Chain Turner	007331	Motor, Hydraulic, TG0475US0800AAFU		1	+L9/2.209:AC
HM9	Power Taper Roller #4	074281	Motor, Hydraulic, TB0130FP130AAAA		1	+L9/7.708:AC
HM9	=	061136	Kit, Hydraulic Motor Seal		1	+L9/7.708:AC
HM10	Power Taper Roller #3	074281	Motor, Hydraulic, TB0130FP130AAAA		1	+L9/7.705:AD
HM10	=	061136	Kit, Hydraulic Motor Seal	Replacement Seals	1	+L9/7.705:AD
HM11	Log Deck Chains	056062	Motor, Hyd Log Deck		1	+L9/4.406:AC
MFLD1	D05 Power Unit Manifold	061190	D05, 4 Station Manifold		1	+L9/2.202:AB
MFLD1	=	078399	Plate, Cover D05 Valve	Covers For Optional Log Deck Valve Sections	2	+L9/2.202:AB
MFLD2	D03 Power Unit Manifold	061185	Manifold Shell Only, WM4000 AD03P082S		1	+L9/4.407:AB
MFLD3	D03 Bed Extension Manifold	078885	Manifold, D03 4 Station AI SAE		1	+L9/10.1002:AB
P1	Pump	078671	Pump, Hyd. 17GPM Piston Load Sense		1	+L9/1.102:AB
P1	=	078397	Adapter, C-Face Pump Mtr SAE B	Pump Mount	1	+L9/1.102:AB
P1	=	068252	Coupling, Pump		1	+L9/1.102:AB
P1	=	068253	Coupling, Motor		1	+L9/1.102:AB
P1	=	068254	Coupling, Insert		1	+L9/1.102:AB
V1	Pressure Gage Needle Valve	068264	Valve, Snubber MFG250BF		1	+L9/4.404:AB
V2	Proportional Valve	068273	Valve, Proportional PV72-30A	Complete Valve Assembly	1	+L9/1.103:AA
V2	=	061290	Block, Valve Body HF 7022350	Valve Body Only	1	+L9/1.103:AA
V2	=	078185	Valve, Proportional 15GPM PV72-30A	Valve Cartridge Only	1	+L9/1.103:AA
V2	=	068257	Valve, Proportional Cartridge PV72-30A	Valve Cartridge w/Coil	1	+L9/1.103:AA
V3	Pressure Relief Valve	078735	Valve, Relief 250-3000psi RV10-20A Cmplt	Complete Valve Assembly	1	+L9/1.106:AD
V3	=	078672	Valve, Body 10 Size 2-Way SAE 12	Valve Body Only	1	+L9/1.106:AD
V3	=	078673	Valve, Relief 250-3000psi RV10-20A Ctg	Valve Cartridge Only	1	+L9/1.106:AD
V4	Conveyor Directional Control	078686	Valve, D05 2Pos A-B Tank		1	+L9/2.202:AA
V5	Chain Turner	078685	Valve, D05 3Pos A-B Tank		1	+L9/2.205:AA
V6	Log Loader	078685	Valve, D05 3Pos A-B Tank		1	+L9/3.302:AA
V7	Log Deck Chains	078685	Valve, D05 3Pos A-B Tank		1	+L9/4.402:AA
V8	Clamp In/Out Directional Control	078683	Valve, D03 3Pos A-B Tank		1	+L9/4.408:AA
V9	Clamp In/Out Check Valve	078738	Valve, D03 PO Check		1	+L9/4.408:AB
V10	Log Turner Up/Down	078684	Valve, D03 3Pos Blocked		1	+L9/5.502:AA
V11	Log Turner Up/Down Flow Divider	074289	Valve, 50/50 Flow Divider/Combiner		1	+L9/5.502:AC
V12	Clamp Up/Down Directional Control	078683	Valve, D03 3Pos A-B Tank		1	+L9/6.604:AA
V13	Clamp Up/Dn Check Valve	078738	Valve, D03 PO Check		1	+L9/6.604:AB

		<b>Wood-Mizer®</b>	
Project Description: WM4500 Bed Extension 12'			
Revision:	A4.04	Pg Desc: Parts list - Bed Extension 12'	
Mounting Location:	+Docs	Type: Parts list	
Prev. pg:	C1	Page:	C2
Next pg:	C3	Total Pgs:	93

# Device Tag/Parts List


Device tag	Function	Wood-Mizer Part Number	Wood-Mizer Description		Qty.	X-Ref
V14	Taper Roller #1 Directional Control	078683	Valve, D03 3Pos A-B Tank		1	+L9/6.606:AA
V15	Taper Roller #1 Check Valve	078738	Valve, D03 PO Check		1	+L9/6.606:AB
V16	Power Taper Roller Motors Directional Control	078683	Valve, D03 3Pos A-B Tank		1	+L9/7.702:AA
V17	Taper Roller #2 Directional Control	078683	Valve, D03 3Pos A-B Tank		1	+L9/8.804:AA
V18	Taper Roller #2 Check Valve	078738	Valve, D03 PO Check		1	+L9/8.804:AB
V19		078684	Valve, D03 3Pos Blocked		1	+L9/8.806:AA
V20	Side Supports Directional Valve	078685	Valve, D05 3Pos A-B Tank		1	+L9/9.902:AA
V21	Side Supports Check Valve	078738	Valve, D03 PO Check		1	+L9/9.902:AB
V22	Power Taper Rollers 3 & 4 Up/Down Directional Valve	078685	Valve, D05 3Pos A-B Tank		1	+L9/10.1002:AA
V23	Power Taper Rollers 3 & 4 Up/Down Check Valve	078738	Valve, D03 PO Check		1	+L9/10.1002:AB
V24	Bed Extension Clamps Up/Down Directional Valve	078685	Valve, D05 3Pos A-B Tank		1	+L9/10.1006:AA
V25	Bed Extension Clamps Up/Down Check Valve	078738	Valve, D03 PO Check		1	+L9/10.1006:AB
V26	Bed Extension Clamps In/Out Directional Valve	078685	Valve, D05 3Pos A-B Tank		1	+L9/11.1102:AA
V27	Bed Extension Clamps In/Out Check Valve	078738	Valve, D03 PO Check		1	+L9/11.1102:AB
V28	Log Turner Selector Valve	074286	Valve, 3-Way Selector		1	+L9/2.207:AC
V29	Log Turner Blocking Valve	074287	Valve, 2-Way Normally Closed Blocking		1	+L9/2.208:AC
V30	Side Supports Flow Divider	074289	Valve, 50/50 Flow Divider/Combiner		1	+L9/9.904:AC
V31	Side Supports Selector Valve	074286	Valve, 3-Way Selector		1	+L9/9.906:AD
V32	Side Supports Blocking Valve	074287	Valve, 2-Way Normally Closed Blocking		1	+L9/9.907:AD
V33	Log Turner Up/Down Flow Divider	074289	Valve, 50/50 Flow Divider/Combiner		1	+L9/5.504:AC
V34	Log Turner Up/Down Selector Valve	074286	Valve, 3-Way Selector		1	+L9/5.506:AC
V35	Power Taper Roller Motors Selector Valve	074286	Valve, 3-Way Selector		1	+L9/7.706:AC
V36	Log Deck Chains Blocking Valve	074287	Valve, 2-Way Normally Closed Blocking		1	+L9/7.707:AC
V37	Log Loader Flow Divider	074325	Flow Divider, 2 Section Bailey 50/50		1	+L9/3.304:AC
V38	Log Loader Selector Valve	074286	Valve, 3-Way Selector		1	+L9/3.306:AD
V39	Log Loader Blocking Valve	074287	Valve, 2-Way Normally Closed Blocking		1	+L9/3.306:AD
V40	Log Deck Chains Selector Valve	074286	Valve, 3-Way Selector		1	+L9/4.404:AC
V41	Log Deck Chains Blocking Valve	074287	Valve, 2-Way Normally Closed Blocking		1	+L9/4.405:AC
V54	Conveyor Flow Control	078737	Valve, Press Comp Flow Ctl 12GPM Cmplt		1	+L9/2.202:AB
V54	=	078681	Valve Body, D05 Sandwich Flow Ctl Port B	Valve Body Only	1	+L9/2.202:AB
V54	=		Valve, Press Comp Flow Ctl 12GPM	Valve Cartridge Only	1	+L9/2.202:AB

		<b>Wood-Mizer®</b>	
Project Description: WM4500 Bed Extension 12'			
Revision:	A4.04	Pg Desc: Parts list - Bed Extension 12'	
Mounting Location:	+Docs	Type: Parts list	
Prev. pg:	C2	Page:	C3
Next pg:	K1	Total Pgs:	93

# Hose/Tube list

WM\_HydraulicHoseList


Hose/Tube	Wood-Mizer PN	Color	Diameter	Length	Description	XREF
H1	078736		1-1/4 "		Suction Tube	+L9/1.104:AD
H2	078761		1/4 "		Load Sense Line	+L9/1.104:AA
H3	078760		3/4 "		Pressure Relief Line	+L9/1.104:AB
H4	078767		1/2 "		Pump Case Drain	+L9/1.105:AD
H5	078767		1-1/4 "		Filter Tank Line	+L9/1.109:AD
H6	078760		3/4 "		Pressure Line From Proportional Valve	+L9/4.404:AB
H7	078760		1 "		Tank Line From Manifold 1	+L9/1.109:AC
H8	078763		3/4 "		Pressure Line Manifold 1 To Manifold 2	+L9/2.202:AB
H10	079004-471	Blu	1/2 "	471"	Conveyor Return Line	+L9/2.203:AC
H10_X	079004-144	Blu	1/2 "	144"	Conveyor Return Line Bed Extension	+L9/2.203:AC
H11	079004-471	Red	1/2 "	471"	Conveyor Out Line	+L9/2.203:AC
H11_X	079004-144	Red	1/2 "	144"	Conveyor Out Line Bed Extension	+L9/2.203:AC
H12	079004-156	Red	1/2" "	156"	Incline Conveyor Out	+L9/2.203:AE
H13	079004-156	Blu	1/2" "	156"	Incline Conveyor Return	+L9/2.203:AE
H14	079004-334	Blk	1/2 "	334"	Turner (Near) Motor A	+L9/2.206:AD
H15	079004-132		1/2 "	132"	Turner (Near) Motor to Turner (Far) Motor	+L9/2.206:AD
H16	079004-350	Vlt	1/2 "	350"	Turner (Near) Motor	+L9/2.206:AC
H16_X	079004-144	Vlt	1/2 "	144"	Turner (Far) Motor B Bed Extension	+L9/2.206:AC
H17	079004-310	Grn	1/2 "	310"	Log Loader Down T	+L9/3.305:AC
H18	079004-310	Yel	1/2 "	310"	Log Loader Down T	+L9/3.302:AD
H19	079001-72	Grn	3/8 "	72"	Log Loader Up T to C1	+L9/3.302:AE
H20	079001-72	Grn	3/8 "	72"	Log Loader Up T to C2	+L9/3.302:AE
H21	079001-72	Yel	3/8 "	72"	Log Loader Down T to C1	+L9/3.302:AE
H22	079001-72	Yel	3/8 "	72"	Log Loader Down T to C2	+L9/3.302:AE
H23	079004-310	Org	1/2 "	310"	Log Deck Forward Line	+L9/4.404:AC
H24	079004-310	Wht	1/2 "	310"	Log Deck Valve B To Deck 1 Motor A	+L9/4.403:AC
H24_X	079004-144	Wht	1/2 "	144"	Log Deck Valve B To Deck 1 Motor A Bed Extension	+L9/4.403:AC
H25	079001-364	Org	3/8 "	364"	Clamp In Line	+L9/4.409:AC
H25_X	079001-144	Org	3/8 "	144"	Clamp In Line Bed Extension	+L9/4.409:AC
H26	079001-364	Wht	3/8 "	364"	Clamp Out Line	+L9/4.409:AC
H26_X	079001-144	Wht	3/8 "	144"	Clamp Out Line Bed Extension	+L9/4.409:AC
H27	079001-275	Pnk	3/8 "	275"	Log Turner Up T2 To T3	+L9/5.503:AD
H27_X	079001-144	Pnk	3/8 "	144"	Log Turner Up T2 To T3 Bed Extension	+L9/5.503:AD
H28	079001-85		3/8 "	85"	Log Turner Down Valve B To FD 3	+L9/5.503:AC
H29	079001-19	Pnk	3/8 "	19"	Log Turner Up T To Cylinder Near	+L9/5.502:AE
H30	079001-39	Pnk	3/8 "	39"	Log Turner Up T To Cylinder Far	+L9/5.502:AE
H31	079001-200		3/8 "	200"	Log Turner Down FD2 To Cylinder Near	+L9/5.502:AD
H32	079001-216		3/8 "	216"	Log Turner Down FD4 To Cylinder Far	+L9/5.502:AD
H33	079001-364	Yel	3/8 "	364"	Clamp Up Line	+L9/6.605:AC

		<b>Wood-Mizer®</b>	
Project Description: WM4500 Bed Extension 12'			
Revision:	A4.04	Pg Desc: Hose/Tube List-Bed Extension 12'	
Mounting Location:	+Docs	Type: Connection list	
Prev. pg:	C3	Page:	K1
		Next pg:	K2
		Total Pgs:	93

# Hose/Tube list

WM\_HydraulicHoseList


Hose/Tube	Wood-Mizer PN	Color	Diameter	Length	Description	XREF
H33_X	079001-264	Yel	3/8 "	264"	Clamp Up Line Bed Extension	+L9/6.605:AC
H34	079001-364	Grn	3/8 "	364"	Clamp Down Line	+L9/6.605:AC
H34_X	079001-144	Grn	3/8 "	144"	Clamp Down Line Bed Extension	+L9/6.605:AC
H35	079000-267	Gry	1/4 "	267"	Taper Roller #1 Up Line	+L9/6.607:AD
H35_X	079000-144	Gry	1/4 "	144"	Taper Roller #1 Up Line Bed Extension	+L9/6.607:AC
H36	079000-270	Yel	1/4 "	270"	Taper Roller #1 Down Line	+L9/6.607:AC
H36_X	079000-144	Yel	1/4 "	144"	Taper Roller #1 Down Line Bed Extension	+L9/6.607:AC
H37	079001-276	Red	3/8 "	276"	Power Toe Roller #1 Motor	+L9/7.702:AD
H37_X	079001-144	Red	3/8 "	144"	Power Toe Roller #1 Motor Bed Extension	+L9/7.702:AD
H38	079001-348	Blu	3/8 "	348"	Power Toe Roller Motor A (Near) to Motor B (Middle)	+L9/7.703:AD
H39	079001-154		3/8 "	154"	Power Toe Roller #1 Motor to #2 Motor	+L9/7.702:AD
H40	079000-333	Blk	1/4 "	333"	Taper Roller #2 Up Line	+L9/8.805:AC
H40_X	079000-144	Blk	1/4 "	144"	Taper Roller #2 Up Line Bed Extension	+L9/8.805:AC
H41	079000-335	Vlt	1/4 "	335"	Taper Roller #2 Down Line	+L9/8.805:AC
H41_X	079000-144	Vlt	1/4 "	144"	Taper Roller #2 Down Line Bed Extension	+L9/8.805:AC
H44	079001-190	Vlt	3/8 "	190"	Side Supports Up T1	+L9/9.909:AE
H45	079001-190	Blk	3/8 "	190"	Side Supports Down FD 4 T To T1	+L9/9.904:AD
H46	079001-120	Vlt	3/8 "	120"	Side Supports Up T2 to Far Cylinder	+L9/9.902:AE
H47	079001-51	Vlt	3/8 "	51"	Side Supports Up T1 to Near Cylinder	+L9/9.902:AE
H48	079001-122	Blk	3/8 "	122"	Side Supports Down T2 to Far Cylinder	+L9/9.902:AD
H49	079001-51	Blk	3/8 "	51"	Side Supports Down T1 to Near Cylinder	+L9/9.903:AD
H52	079000-211	Wht	1/4 "	211"	Taper Roller #3 & #4 Up Line	+L9/10.1003:AD
H53	079000-241	Org	1/4 "	241"	Taper Roller #3 & #4 Down Line	+L9/10.1003:AC
H54	079000-132	Blu	1/4 "	132"	Taper Roller #3 Up Line	+L9/10.1003:AD
H55	079000-132	Red	1/4 "	132"	Taper Roller #3 Down Line	+L9/10.1003:AC
H56	079001-229	Yel	3/8 "	229"	Clamp Up Line	+L9/10.1007:AC
H57	079001-229	Grn	3/8 "	364"	Clamp Down Line	+L9/10.1007:AC
H58	079001-213	Org	3/8 "	213"	Clamp In Line	+L9/11.1103:AC
H59	079001-223	Wht	3/8 "	223"	Clamp Out Line	+L9/11.1103:AC
H60	079004-144	Grn	1/2 "	144"	Log Loader Up Flow Divider IN	+L9/3.303:AC
H61	079004-120	Grn	1/2 "	120"	Log Loader Up FD OUT1 to SV 2	+L9/3.305:AD
H62	079004-120	Grn	1/2 "	120"	Log Loader Up FD OUT2 T To SV 1	+L9/3.305:AC
H63	079004-240	Grn	1/2 "	240"	Log Loader Up BV 2 To Up T	+L9/3.305:AE
H64	079001-72	Grn	3/8 "	72"	Log Loader Up T to C1	+L9/3.305:AE
H65	079001-72	Grn	3/8 "	72"	Log Loader Up T to C2	+L9/3.305:AE
H66	079004-144	Yel	1/2 "	144"	Log Loader Down T Bed Extension	+L9/3.302:AD
H67	079004-120	Yel	1/2 "	120"	Log Loader Down T to T	+L9/3.302:AD
H68	079001-72	Yel	3/8 "	72"	Log Loader Down T to C1	+L9/3.305:AE
H69	079001-72	Yel	3/8 "	72"	Log Loader Down T to C2	+L9/3.305:AE

		<b>Wood-Mizer®</b>	
Project Description: WM4500 Bed Extension 12'			
Revision: A4.04		Pg Desc: Hose/Tube List-Bed Extension 12'	
Mounting Location: +Docs		Type: Connection list	
Prev. pg: K1	Page: K2	Next pg: K3	Total Pgs: 93

# Hose/Tube list

WM\_HydraulicHoseList

Hose/Tube	Wood-Mizer PN	Color	Diameter	Length	Description	XREF
H70	079004-144	Org	1/2 "	144"	Log Deck Valve A to SV 2	+L9/4.403:AC
H72	079004-192	Org	1/2 "	192"	Log Deck SV 3 To 2nd Motor B	+L9/4.406:AC
H73	079004-192	Wht	1/2 "	192"	Log Deck BV 2 To 2nd Motor A	+L9/4.406:AC
H75	079001-24		3/8 "	24"	Log Turner Down FD 4 to FD 3	+L9/5.502:AC
H76	079001-42		3/8 "	42"	Log Turner Down SV 1 to FD 3	+L9/5.502:AC
H77	079001-42		3/8 "	42"	Log Turner Down FD 2 to SV 2	+L9/5.505:AC
H78	079001-168		3/8 "	168"	Log Turner Down FD2 To Cylinder Near Bed Extension	+L9/5.502:AD
H79	079001-168		3/8 "	168"	Log Turner Down FD4 To Cylinder Far Bed Extension	+L9/5.502:AD
H80	079001-120		3/8 "	120"	Log Turner Down SV 3 to FD 3	+L9/5.505:AE
H81	079001-60	Pnk	3/8 "	60"	Log Turner Down Valve A To Base T1	+L9/5.502:AE
H82	079001-120	Blk	3/8 "	120"	Side Supports Down Valve B To FD 3	+L9/9.903:AC
H83	079001-42	Blk	3/8 "	42"	Side Supports Down FD 4 T To SV 12	+L9/9.905:AC
H84	079001-36	Blk	3/8 "	36"	Side Supports Down FD 2 To SV 2	+L9/9.905:AD
H85	079001-108	Blk	3/8 "	108"	Side Supports Down BV 2 To T1	+L9/9.909:AC
H86	079001-48	Blk	3/8 "	48"	Side Supports Down FD 4 T To Union	+L9/9.904:AD
H87	079001-42	Blk	3/8 "	42"	Side Supports Down T2 to Far Cylinder	+L9/9.909:AC
H88	079001-80	Blk	3/8 "	80"	Side Supports Down T1 to Near Cylinder	+L9/9.909:AC
H89	079001-144	Vlt	3/8 "	144"	Side Supports Up Valve A To T1	+L9/9.909:AE
H90	079001-84	Vlt	3/8 "	84"	Side Supports Up T3 to Far Cylinder	+L9/9.909:AE
H91	079001-122	Vlt	3/8 "	122"	Side Supports Up T1 to Near Cylinder	+L9/9.909:AE
H92	079001-144	Blue	3/8 "	144"	Power Taper Roller Valve B To BV 1 T	+L9/7.707:AC
H93	079001-259	Blu	3/8 "	259"	Power Toe Roller Motor SV 2 T To Motor B	+L9/7.705:AD
H94	079001-204	Red	3/8 "	204"	Power Toe Roller Motor SV 3 To Motor A	+L9/7.708:AC
H95	079001-204	Blu	3/8 "	204"	Power Toe Roller Motor BV 2 To Motor B	+L9/7.708:AC
H96	079004-96	Blk	1/2 "	96"	Turner Motor Near To FD 4 T	+L9/2.206:AD
H97	079004-96	Blk	1/2 "	96"	Turner Motor Manifold A To FD 3	+L9/2.208:AC
H98	079004-178	Blk	1/2 "	178"	Turner (Near) Motor A To SV 3	+L9/2.209:AC
H99	079004-178	Vlt	1/2 "	178"	Turner (Far) Motor B BV 2	+L9/2.209:AC
H133	079001-41	Vlt	3/8 "	41"	Side Supports Up T1 To T2	+L9/9.902:AE
H134	079001-41	Blk	3/8 "	41"	Side Supports Down T1 To T2	+L9/9.902:AD
H135	079001-55	Vlt	3/8 "	55"	Side Supports Up T2 to Middle Cylinder	+L9/9.902:AE
H136	079001-59	Blk	3/8 "	59"	Side Supports Down T2 to Middle Cylinder	+L9/9.902:AD
H137	079000-24	Blu	1/4 "	24"	Taper Roller #4 Up Line	+L9/10.1004:AD
H138	079000-24	Red	1/4 "	24"	Taper Roller #4 Down Line	+L9/10.1004:AC
H151	079000-		1/4 "		Taper Roller #1 Up Line 2	+L9/6.607:AD
H152	079000-		1/4 "		Taper Roller #1 Down Line 2	+L9/6.607:AC
H153	079000-		1/4 "		Taper Roller #2 Up Line 2	+L9/8.804:AD
H154	079000-		1/4 "		Taper Roller #2 Down Line 2	+L9/8.804:AD
H155	079000-		1/4 "		Taper Roller #3 Up Line 2	+L9/10.1003:AD


		<b>Wood-Mizer®</b>	
Project Description: WM4500 Bed Extension 12'			
Revision: A4.04		Pg Desc: Hose/Tube List-Bed Extension 12'	
Mounting Location: +Docs		Type: Connection list	
Prev. pg: K2	Page: K3	Next pg: K4	Total Pgs: 93



# Hose/Tube list

WM\_HydraulicHoseList

Hose/Tube	Wood-Mizer PN	Color	Diameter	Length	Description	XREF
H156	079000-		1/4 "		Taper Roller #3 Down Line 2	+L9/10.1003:AC
H157	079000-		1/4 "		Taper Roller #4 Up Line 2	+L9/10.1004:AD
H158	079000-		1/4 "		Taper Roller #4 Down Line 2	+L9/10.1004:AC


		<b>Wood-Mizer®</b>	
Project Description: WM4500 Bed Extension 12'			
Revision: A4.04		Pg Desc: Hose/Tube List-Bed Extension 12'	
Mounting Location: +Docs		Type: Connection list	
Prev. pg: K3	Page: K4	Next pg: &MPA+/A1	Total Pgs: 93





# Revision History

Date	Revision	Revision Record	Drawn By	Checked By
8/6/18	A1.00	Release to production	JRF	SDC

		<b>Wood-Mizer®</b>	
Project Description: WM4500 Bed Extension 12'			
Revision: A4.04		Pg Desc: Revision History	
Mounting Location: +		Type: Overview	
Prev. pg: A1	Page: B1	Next pg: +L11.L12/1	Total Pgs: 93

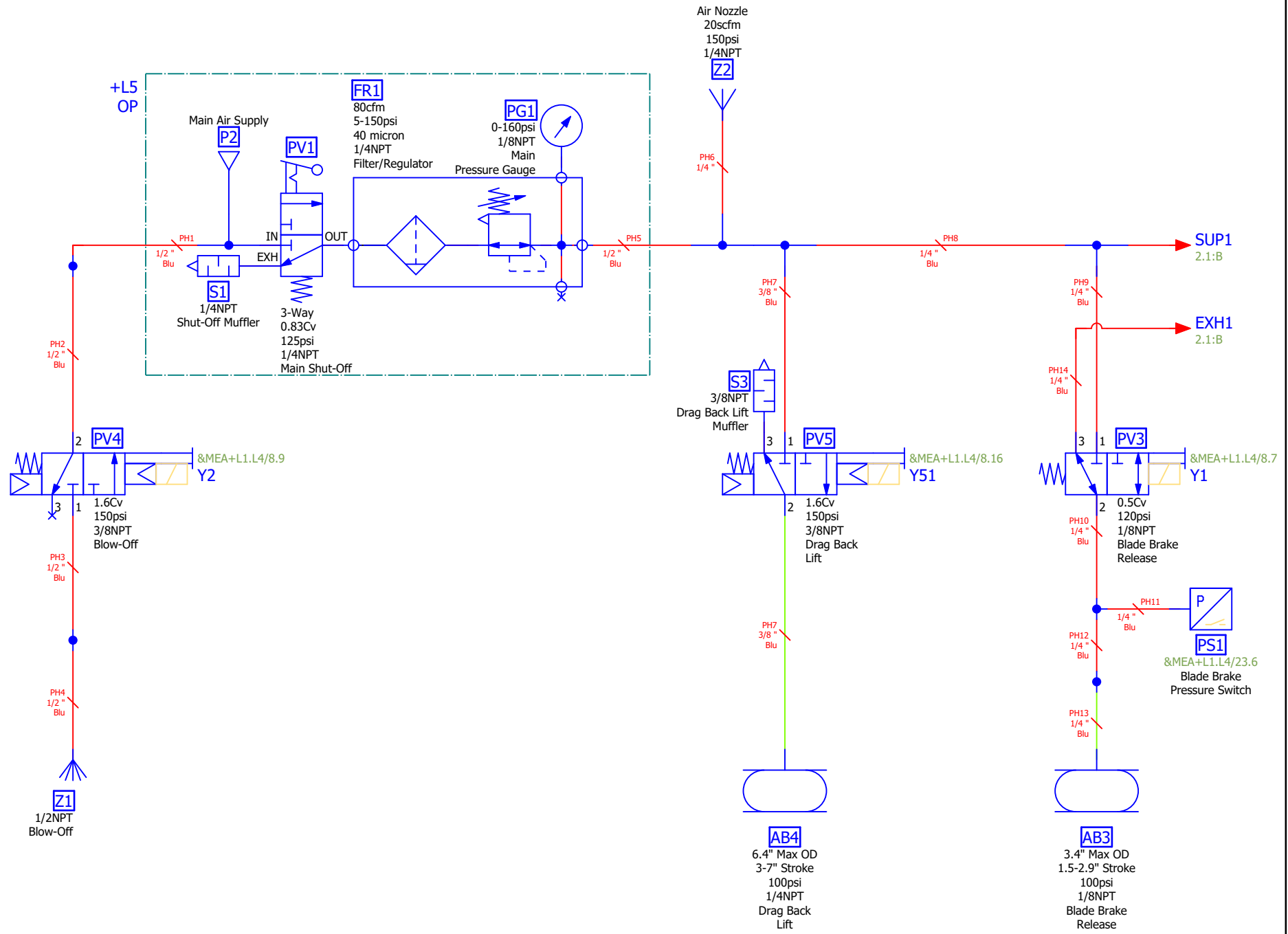
A

B

C

D

E



<b>Wood-Mizer®</b>	
Project Description: WM4500 Bed Extension 12'	
Revision: A4.04	Pg Desc: Pnuematics Pg 1
Mounting Location: +L11.L12	Type: Fluid power schematic
Prev. pg: +/B1	Page: 1
Next pg: 2	Total Pgs: 93

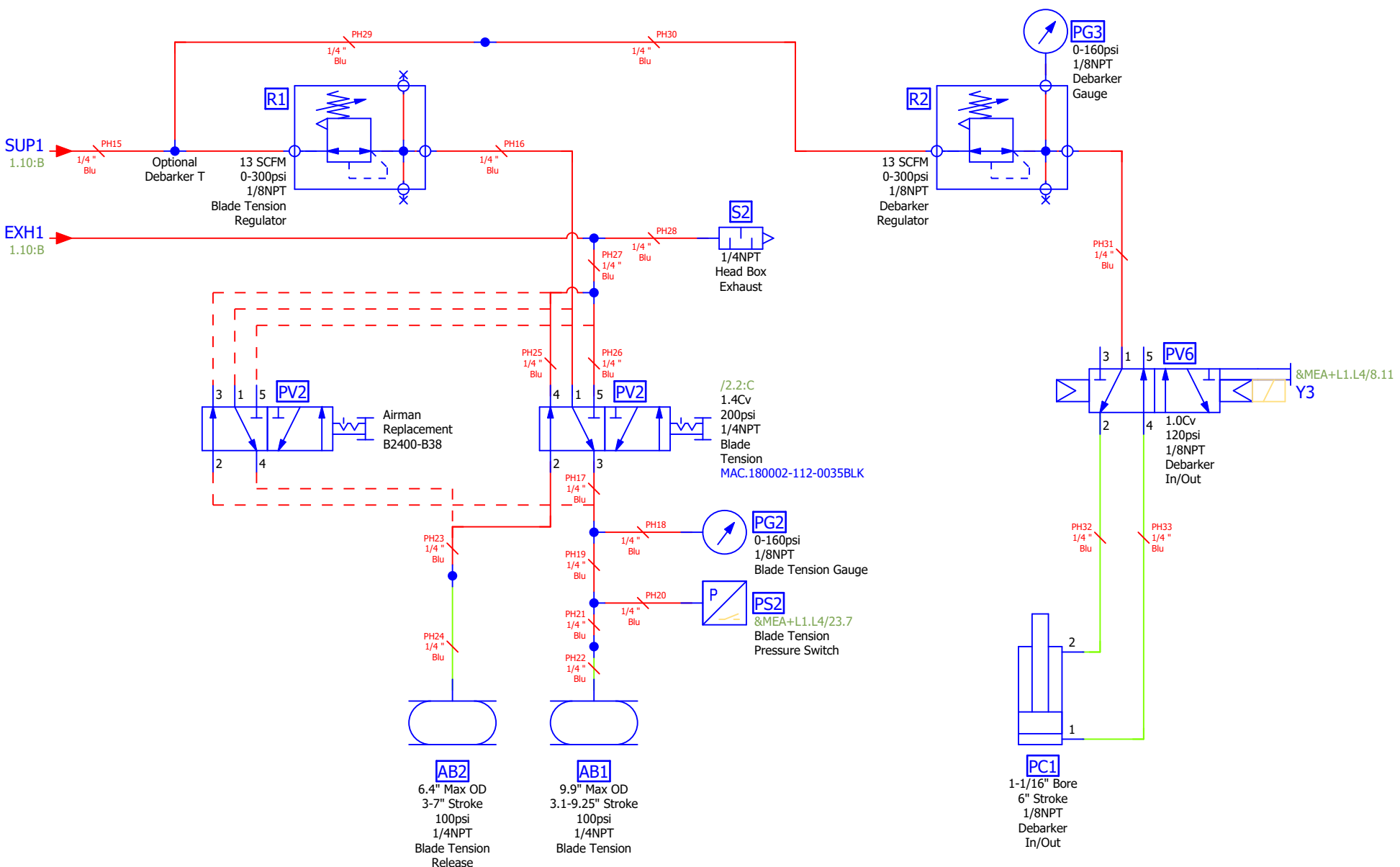
A

B

C

D


E



<b>Wood-Mizer®</b>	
Project Description: WM4500 Bed Extension 12'	
Revision: A4.04	Pg Desc: Pnuematics Pg 2
Mounting Location: +L11.L12	Type: Fluid power schematic
Prev. pg: 1	Page: 2
Next pg: +Docs/C1	Total Pgs: 93

# Device Tag/Parts List


Device tag	Function	Wood-Mizer Part Number	Wood-Mizer Description		Qty.	X-Ref
AB1	Blade Tension	033229	Bag, Tensioner Air		1	+L11.L12/2.205:AD
AB2	Blade Tension Release	033231	Bag, Motor Lift Air		1	+L11.L12/2.204:AD
AB3	Blade Brake Release	033168	Bag, Air Brake		1	+L11.L12/1.109:AD
AB4	Drag Back Lift	033231	Bag, Motor Lift Air		1	+L11.L12/1.107:AD
FR1	Filter/Regulator	110953	Air Filter/Regulator		1	+L11.L12/1.104:AA
FR1	=	110956	Assy, Air Filter Mount	Mount	1	+L11.L12/1.104:AA
PC1	Debarker In/Out	008766	Cylinder, 1-1/16x6, Air		1	+L11.L12/2.208:AD
PG1	Main Pressure Gauge	P02766	Gauge, 160 PSI, 1-1/2 Dia, 1/8 NPT		1	+L11.L12/1.106:AA
PG2	Blade Tension Gauge	042342	Gauge, Air Pressure		1	+L11.L12/2.206:AC
PG3	Debarker Gauge	042342	Gauge, Air Pressure		1	+L11.L12/2.208:AA
PV1	Main Shut-Off	P21513	Valve, Air		1	+L11.L12/1.104:AB
PV2	Airman Replacement;Blade Tension	025301	Valve, Push Pull 4 Way 1/4 NPT		2	+L11.L12/2.202:AC +L11.L12/2.205:AC
PV3	Blade Brake Release	045225	Valve, Air 3 Way 1/8 NPT Din C Conn		1	+L11.L12/1.109:AC
PV4	Blow-Off	042659	Valve Assy, Air		1	+L11.L12/1.102:AC
PV5	Drag Back Lift	042659	Valve Assy, Air		1	+L11.L12/1.107:AC
PV6	Debarker In/Out	025244	Valve, MAC 400 Series		1	+L11.L12/2.208:AC
R1	Blade Tension Regulator	052509	Regulator, 1/8" NPT Air		1	+L11.L12/2.203:AB
R2	Debarker Regulator	052509	Regulator, 1/8" NPT Air		1	+L11.L12/2.207:AB
S1	Shut-Off Muffler	P20904	Mufflet, 1/4 in. NPT Air		1	+L11.L12/1.103:AB
S2	Head Box Exhaust	P20904	Mufflet, 1/4 in. NPT Air		1	+L11.L12/2.206:AB
S3	Drag Back Lift Muffler	P21528	Mufflet, CEC-3 3/8 in. NPT Air		1	+L11.L12/1.107:AC
Z1	Blow-Off	016879	Block, Blow-Off 1/2		1	+L11.L12/1.102:AD
Z2	Air Nozzle	P02714	Nozzle, Coolant Spray		1	+L11.L12/1.107:AA

		<b>Wood-Mizer®</b>	
Project Description: WM4500 Bed Extension 12'			
Revision:	A4.04	Pg Desc: Parts list	
Mounting Location:	+Docs	Type: Parts list	
Prev. pg: +L11.L12/2	Page: C1	Next pg: K1	Total Pgs: 93

# Hose/Tube list

WM\_HydraulicHoseList

Hose/Tube	Wood-Mizer PN	Color	Diameter	Length	Description	XREF
PH1	R01869-5	Blu	1/2 "	960"	Blow-Off Supply Line	+L11.L12/1.102:AB
PH2	R01869-5	Blu	1/2 "	31"	Blow-Off Supply Line Head Box	+L11.L12/1.102:AB
PH3	R01869-5	Blu	1/2 "	33"	Blow-Off Output Line Head Box	+L11.L12/1.102:AD
PH4	R01869-5	Blu	1/2 "		Blow-Off Output Line	+L11.L12/1.102:AD
PH5	R01869-4	Blu	1/2 "	960"	Head Supply Line	+L11.L12/1.106:AB
PH6	042453		1/4 "		Air Nozzle Hose	+L11.L12/1.106:AB
PH7	R01869-4	Blu	3/8 "		Drag Back Fingers Lift Line	+L11.L12/1.107:AD
PH7	R01869-4	Blu	3/8 "	10"	Drag Back Fingers Supply Line	+L11.L12/1.107:AB
PH8	R01869-3	Blu	1/4 "	22"	Supply Line Head Box	+L11.L12/1.109:AB
PH9	R01869-3	Blu	1/4 "	7.5"	Blade Brake Supply Line	+L11.L12/1.109:AB
PH10	R01869-3	Blu	1/4 "	10"	Blade Brake Line Valve To Y	+L11.L12/1.109:AC
PH11	R01869-3	Blu	1/4 "	29.5"	Blade Brake Line Y To Pressure Switch	+L11.L12/1.109:AC
PH12	R01869-3	Blu	1/4 "	6.5"	Blade Brake Line Y To Bulkhead	+L11.L12/1.109:AD
PH13	R01869-3	Blu	1/4 "		Blade Brake Line Bulkhead To Brake	+L11.L12/1.109:AD
PH14	R01869-3	Blu	1/4 "	8.5"	Blade Brake Exhaust Valve To Y	+L11.L12/2.205:AB
PH15	R01869-3	Blu	1/4 "	3"	Blade Tension Supply Y To Regulator	+L11.L12/1.109:AB
PH16	R01869-3	Blu	1/4 "	6.5"	Blade Tension Supply Regulator To Valve	+L11.L12/2.205:AC
PH17	R01869-3	Blu	1/4 "	3"	Blade Tension Line Valve To Pressure Gauge T	+L11.L12/2.205:AC
PH18	R01869-3	Blu	1/4 "	1.5"	Blade Tension Line T To Pressure Gauge	+L11.L12/2.205:AC
PH19	R01869-3	Blu	1/4 "	9"	Blade Tension Line Pressure Gauge T To Pressure Switch Y	+L11.L12/2.205:AD
PH20	R01869-3	Blu	1/4 "	9"	Blade Tension Line Y To Pressure Switch	+L11.L12/2.205:AD
PH21	R01869-3	Blu	1/4 "	10.5"	Blade Tension Line Y To Bulkhead	+L11.L12/2.205:AD
PH22	R01869-3	Blu	1/4 "		Blade Tension Line Bulkhead To Air Bag	+L11.L12/2.205:AD
PH23	R01869-3	Blu	1/4 "	22"	Blade Tension Release Valve To Bulkhead	+L11.L12/2.204:AD
PH24	R01869-3	Blu	1/4 "		Blade Tension Release Bulkhead To Air Bag	+L11.L12/2.204:AD
PH25	R01869-3	Blu	1/4 "	3.5"	Blade Tension Exhaust Valve To Y	+L11.L12/2.205:AB
PH26	R01869-3	Blu	1/4 "	3.5"	Blade Tension Exhaust Valve To Y	+L11.L12/2.205:AB
PH27	R01869-3	Blu	1/4 "	5"	Blade Tension Exhaust Y To Y	+L11.L12/2.205:AB
PH28	R01869-3	Blu	1/4 "	18"	Head Box Exhaust Y To Muffler	+L11.L12/2.205:AB
PH29	R01869-3	Blu	1/4 "		Debarker Supply T To Bulkhead	+L11.L12/2.204:AA
PH30	R01869-3	Blu	1/4 "		Debarker Supply Bulkhead To Regulator	+L11.L12/2.204:AA
PH31	R01869-3	Blu	1/4 "		Debarker Supply Regulator To Valve	+L11.L12/2.208:AC
PH32	R01869-3	Blu	1/4 "		Debarker In Line Valve To Cylinder	+L11.L12/2.208:AD
PH33	R01869-3	Blu	1/4 "		Debarker Out Line Valve To Cylinder	+L11.L12/2.208:AD

		<b>Wood-Mizer®</b>	
Project Description: WM4500 Bed Extension 12'			
Revision:	A4.04	Pg Desc: Hose list	
Mounting Location: +Docs		Type: Connection list	
Prev. pg:	C1	Page:	K1
Next pg:		Total Pgs: 93	