

APPENDIX A ELECTRICAL INFORMATION

WM4500 Standard Rev. A1.00-A1.03

Table of contents

WM_TableOfContents

Page	Page type	Page description	Date	Edited by
/A1	Table of contents	Table of contents	10/5/2018	JRF
/A2	Table of contents	Table of contents	10/5/2018	JRF
/B1	Overview	Revision History	7/10/2018	JRF
+L1.L3/1	Schematic multi-line	Power Pg 1	8/7/2018	JRF
+L1.L3/2	Schematic multi-line	Power Pg 2	10/5/2018	JRF
+L1.L3/3	Schematic multi-line	Power Pg 3	8/3/2018	JRF
+L1.L3/4	Schematic multi-line	Control Pg 1	8/3/2018	JRF
+L1.L3/5	Schematic multi-line	Control Pg 2	9/7/2018	JRF
+L1.L3/6	Schematic multi-line	Control Pg 3	8/3/2018	JRF
+L1.L4/7	Schematic multi-line	Control Pg 4	7/25/2018	JRF
+L1.L4/8	Schematic multi-line	Control Pg 5	8/7/2018	JRF
+L1.L4/9	Schematic multi-line	Control Pg 6	8/3/2018	JRF
+L1.L4/10	Schematic multi-line	Control Pg 7	7/10/2018	JRF
+L1.L4/11	Schematic multi-line	Control Pg 8	8/3/2018	JRF
+L1.L4/12	Schematic multi-line	Control Pg 9	8/7/2018	JRF
+L1.L4/13	Schematic multi-line	Control Pg 10	7/10/2018	JRF
+L1.L4/14	Schematic multi-line	Control Pg 11	7/10/2018	JRF
+L1.L4/15	Schematic multi-line	Control Pg 12	8/7/2018	JRF
+L1.L4/16	Schematic multi-line	Control Pg 13	9/26/2018	JRF
+L1.L4/17	Schematic multi-line	Control Pg 14	7/10/2018	JRF
+L1.L4/18	Schematic multi-line	Communication	10/5/2018	JRF
+L1.L4/19	Panel layout	PLC Diagram	7/10/2018	JRF
+L1.L4/20	Schematic multi-line	PLC 1	10/5/2018	JRF
+L1.L4/21	Schematic multi-line	PLC 2	9/17/2018	JRF
+L1.L4/22	Schematic multi-line	PLC 3	8/7/2018	JRF
+L1.L4/23	Schematic multi-line	PLC 4	8/7/2018	JRF
+L1.L4/24	Schematic multi-line	PLC 5	8/7/2018	JRF
+L1.L4/25	Schematic multi-line	PLC 6	8/7/2018	JRF
+L1.L4/26	Schematic multi-line	PLC 7	10/5/2018	JRF
+L1.L4/27	Schematic multi-line	PLC 8	10/5/2018	JRF
+L1.L4/28	Schematic multi-line	PLC 9	10/5/2018	JRF
+L1.L4/29	Schematic multi-line	PLC 10	10/5/2018	JRF
+L1.L4/30	Schematic multi-line	PLC 11	10/5/2018	JRF
+L1.L4/31	Schematic multi-line	PLC 12	10/5/2018	JRF
+L1.L4/32	Schematic multi-line	PLC 13	10/5/2018	JRF
+L1.L4/33	Schematic multi-line	PLC 14	10/5/2018	JRF
+L1.L4/34	Schematic multi-line	PLC 15	10/5/2018	JRF
+L5.L7/35	Schematic multi-line	HMI 1	10/5/2018	JRF



Wood-Mizer®


Project Description: WM4500

Revision:	A1.00	Pg Desc:	Table of contents
Mounting Location:	+	Type:	Table of contents
Prev. pg:	Page: A1	Next pg:	A2
		Total Pgs:	72

Table of contents


WM_TableOfContents

Page	Page type	Page description	Date	Edited by
+Docs/C1	Parts list	Parts list	10/5/2018	JRF
+Docs/C2	Parts list	Parts list	10/5/2018	JRF
+Docs/C3	Parts list	Parts list	10/5/2018	JRF
+Docs/D1	Terminal line-up diagram	Terminal line-up diagram	7/10/2018	JRF
+Docs/D2	Terminal line-up diagram	Terminal line-up diagram	8/7/2018	JRF
+Docs/D3	Terminal line-up diagram	Terminal line-up diagram	8/7/2018	JRF
+Docs/D4	Terminal line-up diagram	Terminal line-up diagram	8/7/2018	JRF
+Docs/D5	Terminal line-up diagram	Terminal line-up diagram	8/7/2018	JRF
+Docs/D6	Terminal line-up diagram	Terminal line-up diagram	8/7/2018	JRF
+Docs/D7	Terminal line-up diagram	Terminal line-up diagram	8/7/2018	JRF
+Docs/D8	Terminal line-up diagram	Terminal line-up diagram	8/7/2018	JRF
+Docs/D9	Terminal line-up diagram	Terminal line-up diagram	8/7/2018	JRF
+Docs/E1	Cable overview	Cable overview	8/7/2018	JRF
+Docs/E2	Cable overview	Cable overview	8/7/2018	JRF
+Docs/F1	Panel layout	Main Control Layout	8/7/2018	JRF
+Docs/F2	Panel layout	Main Control Disconnect Layout	8/7/2018	JRF
+Docs/F3	Panel layout	Main Control High Voltage Layout	8/7/2018	JRF
+Docs/F4	Panel layout	Main Control Low Voltage Layout	8/7/2018	JRF
+Docs/F5	Panel layout	Operator Ctl Layout	8/7/2018	JRF
+Docs/F6	Panel layout	Operator Ctl Solenoid Layout	8/7/2018	JRF
+Docs/F7	Panel layout	Operator Ctl Junction Layout	8/7/2018	JRF
+Docs/F8	Panel layout	Operator Ctl HMI Layout	8/7/2018	JRF
+Docs/F9	Panel layout	Operator Ctl Bed Ex Layout	8/7/2018	JRF
+Docs/F10	Panel layout	Operator Ctl Side Supports Layout	8/7/2018	JRF
+Docs/F11	Panel layout	Hydraulic Control Layout	8/7/2018	JRF
+Docs/F12	Panel layout	Hydraulic Control Junction Layout	8/7/2018	JRF
+Docs/F13	Panel layout	Head Control Layout Pg1	7/10/2018	JRF
+Docs/F14	Panel layout	Head Control Layout Pg2	7/10/2018	JRF
+Docs/F15	Panel layout	Head Control Junction Layout	8/7/2018	JRF
+Mfg_Docs/G1	Parts list	Parts list Manufacturer	10/5/2018	JRF
+Mfg_Docs/G2	Parts list	Parts list Manufacturer	10/5/2018	JRF
+Mfg_Docs/G3	Parts list	Parts list Manufacturer	10/5/2018	JRF
+Mfg_Docs/H1	Cable overview	Cable Overview Manufacturer	8/7/2018	JRF
+Mfg_Docs/H2	Cable overview	Cable Overview Manufacturer	8/7/2018	JRF

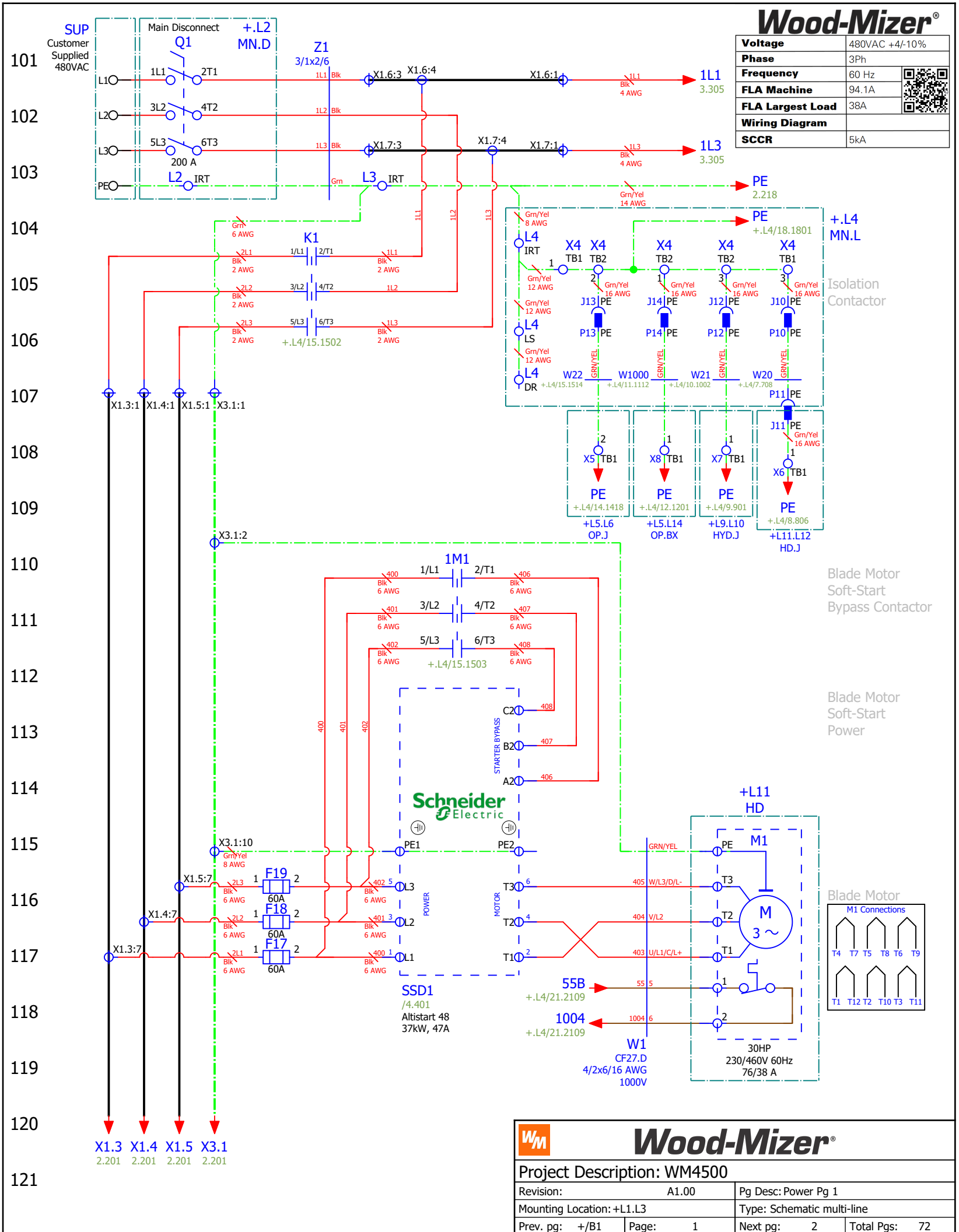
		Wood-Mizer®	
Project Description: WM4500			
Revision:	A1.00	Pg Desc: Table of contents	
Mounting Location: +		Type: Table of contents	
Prev. pg:	A1	Page:	A2
		Next pg:	B1
		Total Pgs:	72

Revision History

Date	Revision	Revision Record	Drawn By	Checked By
8/6/18	A1.00	Release to production	JRF	SDC

		Wood-Mizer®	
Project Description: WM4500			
Revision:	A1.00	Pg Desc: Revision History	
Mounting Location: +		Type: Overview	
Prev. pg: A2	Page: B1	Next pg: +L1.L3/1	Total Pgs: 72

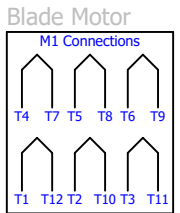
Voltage	480VAC +4/-10%
Phase	3Ph
Frequency	60 Hz
FLA Machine	94.1A
FLA Largest Load	38A
Wiring Diagram	
SCCR	5kA



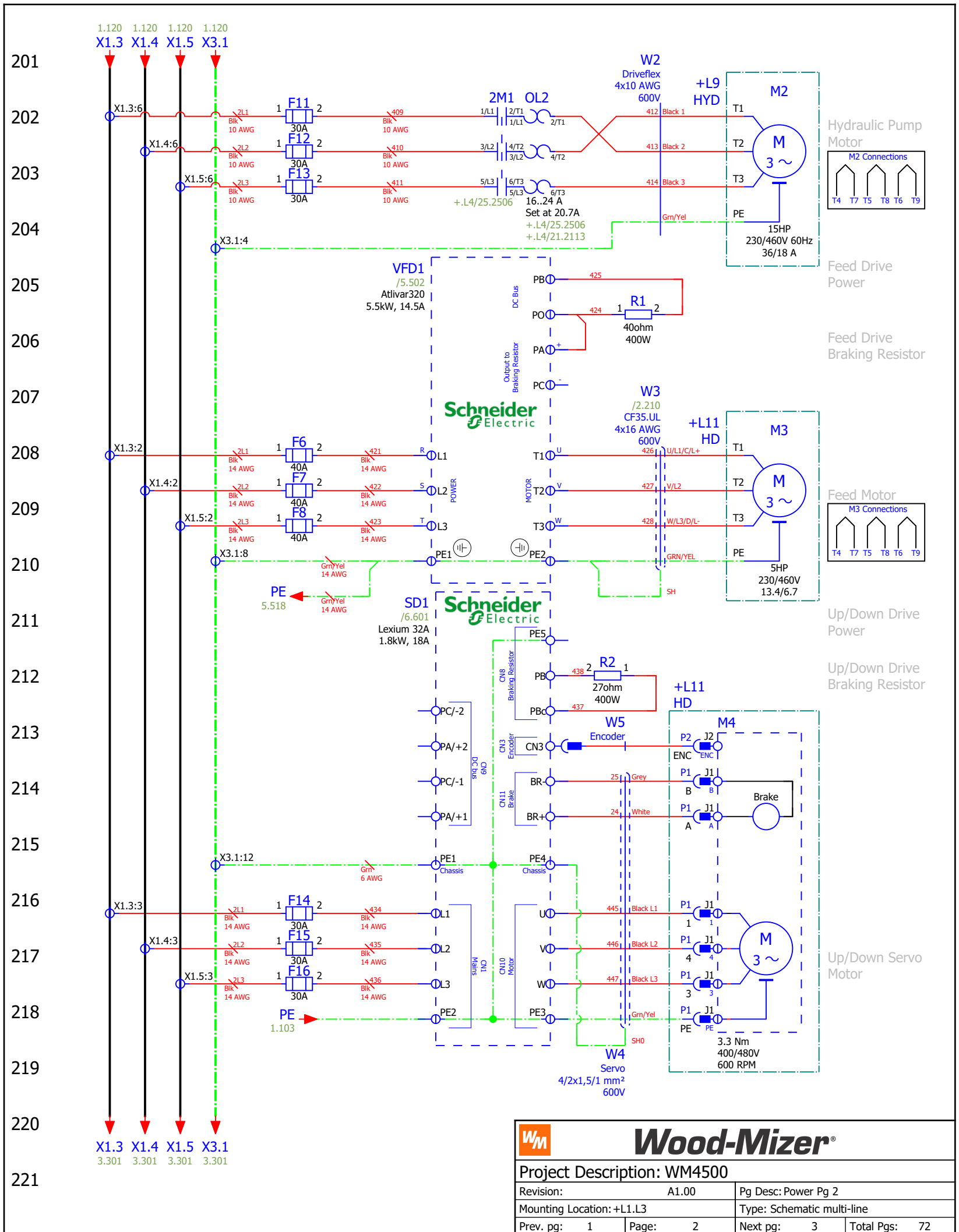
+L4
MN.L
Isolation
Contactor

Blade Motor
Soft-Start
Bypass
Contactor

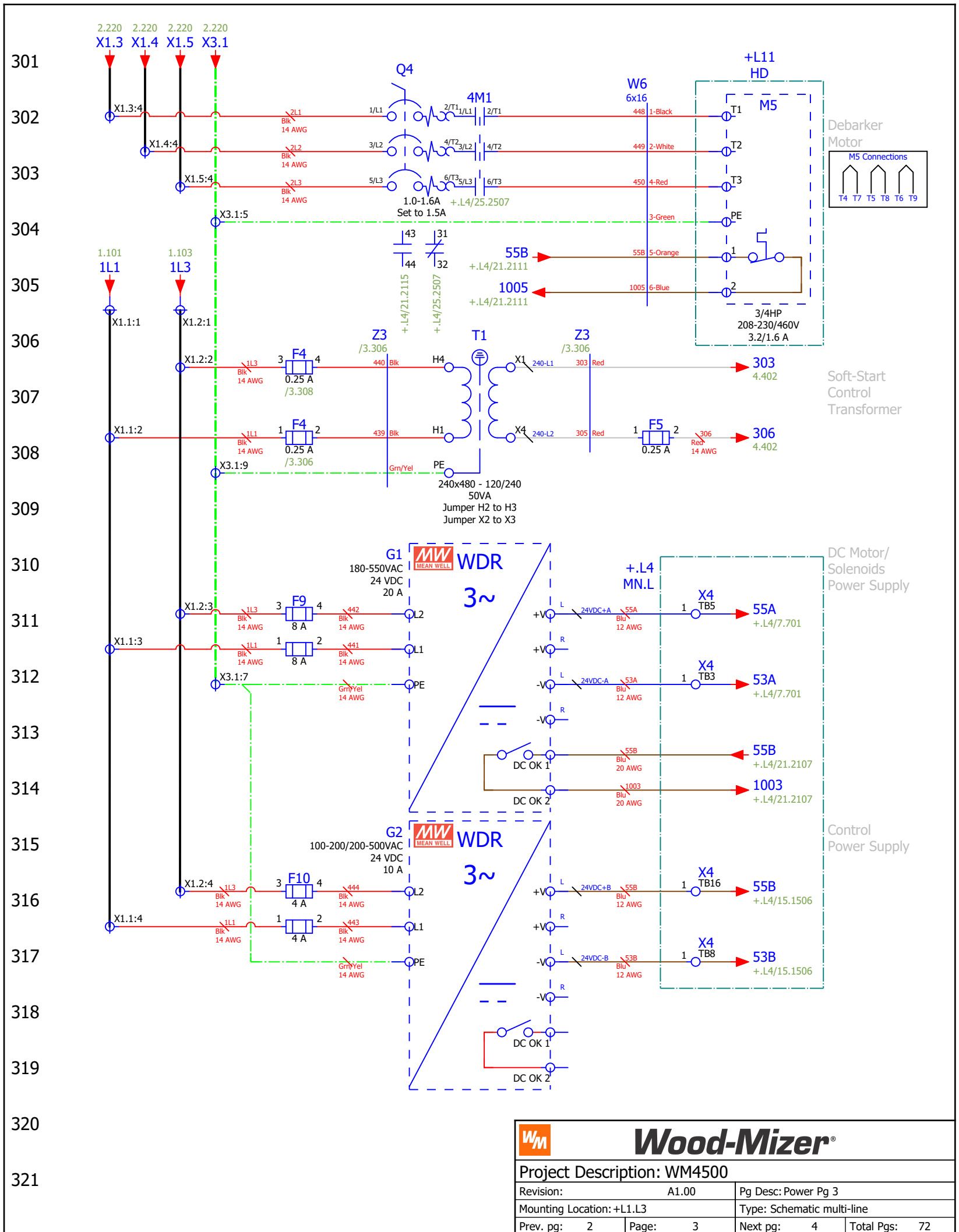
Blade Motor
Soft-Start
Power



Wood-Mizer®			
Project Description: WM4500			
Revision:	A1.00	Pg Desc: Power Pg 1	
Mounting Location:	+L1.L3	Type: Schematic multi-line	
Prev. pg:	+/B1	Page:	1
		Next pg:	2
		Total Pgs:	72

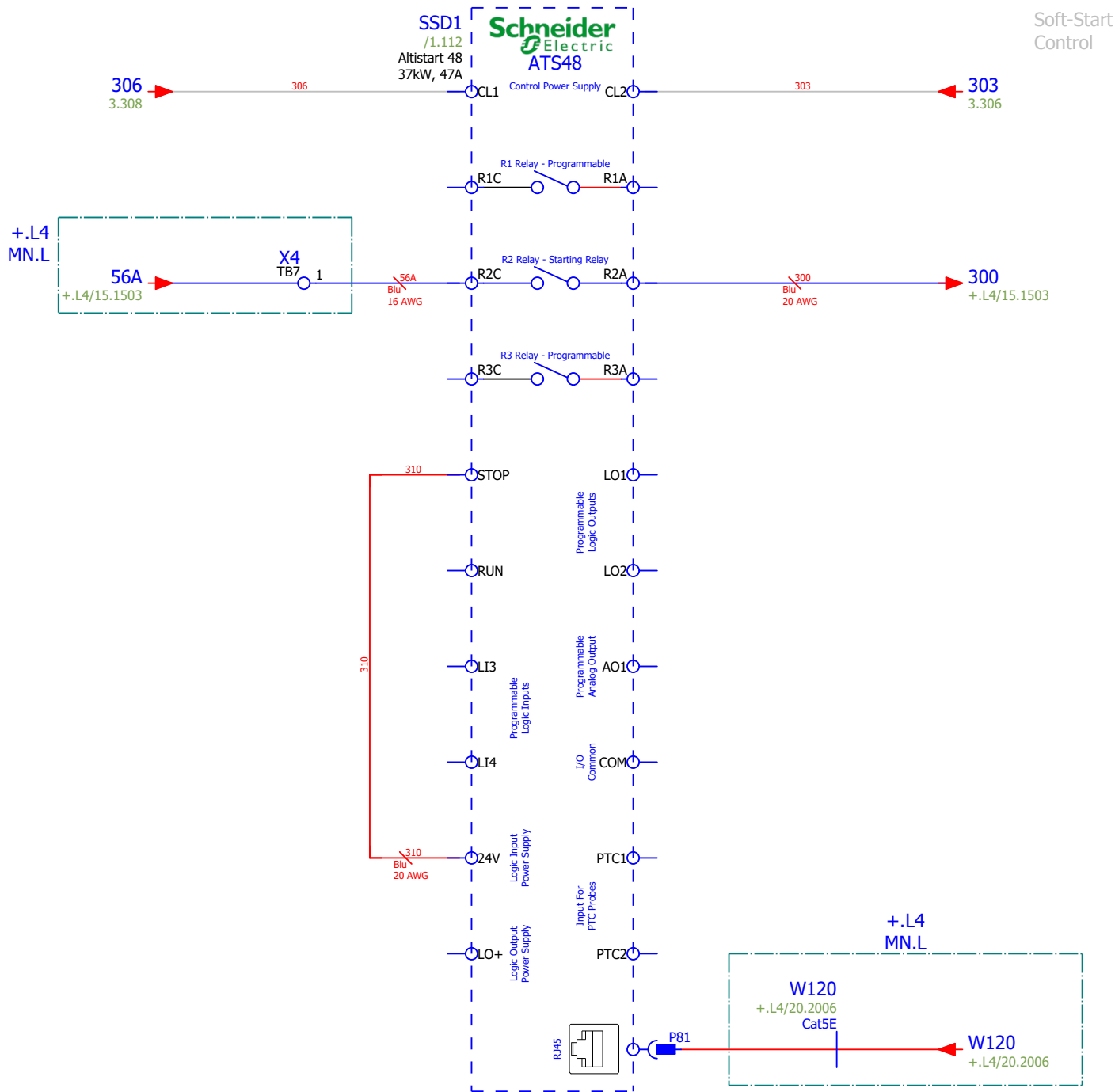


Wood-Mizer®			
Project Description: WM4500			
Revision:	A1.00	Pg Desc: Power Pg 2	
Mounting Location:	+L1.L3	Type: Schematic multi-line	
Prev. pg:	1	Page:	2
		Next pg:	3
		Total Pgs: 72	



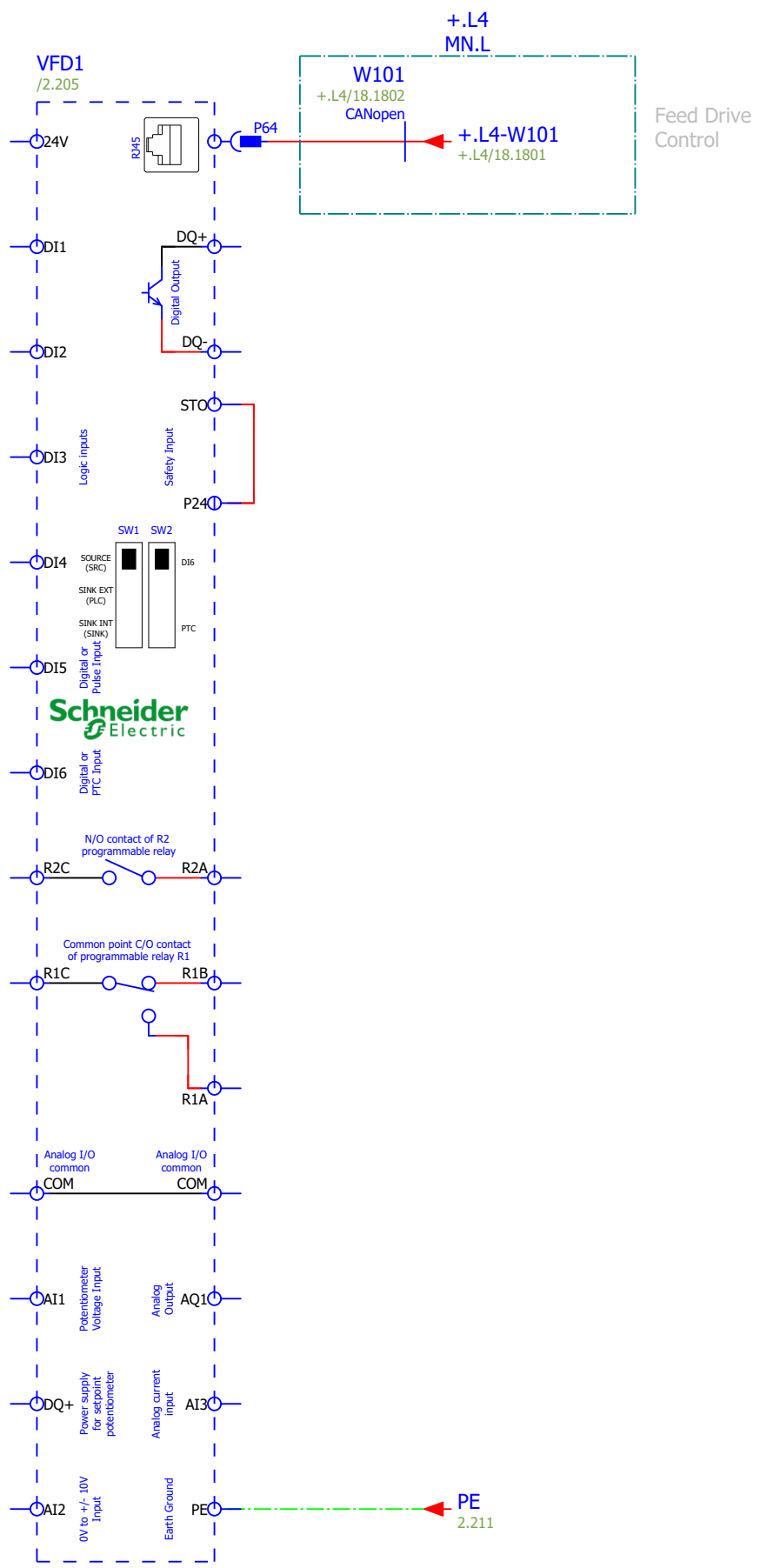
Wood-Mizer®			
Project Description: WM4500			
Revision:	A1.00	Pg Desc: Power Pg 3	
Mounting Location:	+L1.L3	Type: Schematic multi-line	
Prev. pg:	2	Page:	3
		Next pg:	4
		Total Pgs:	72

401
402
403
404
405
406
407
408
409
410
411
412
413
414
415
416
417
418
419
420
421



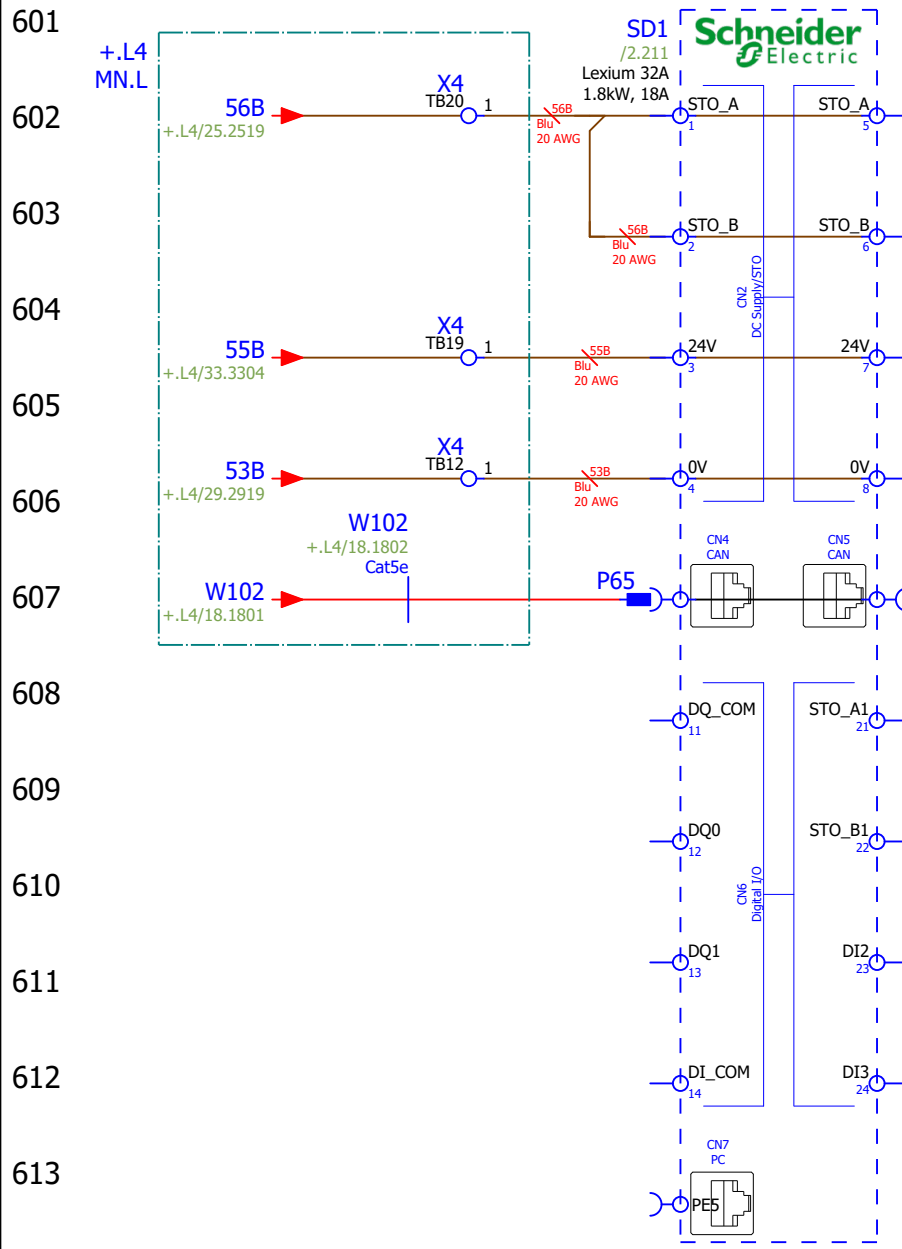
		Wood-Mizer®	
Project Description: WM4500			
Revision:	A1.00	Pg Desc: Control Pg 1	
Mounting Location:	+L1.L3	Type: Schematic multi-line	
Prev. pg:	3	Page:	4
		Next pg:	5
		Total Pgs:	72


501
502
503
504
505
506
507
508
509
510
511
512
513
514
515
516
517
518
519
520
521

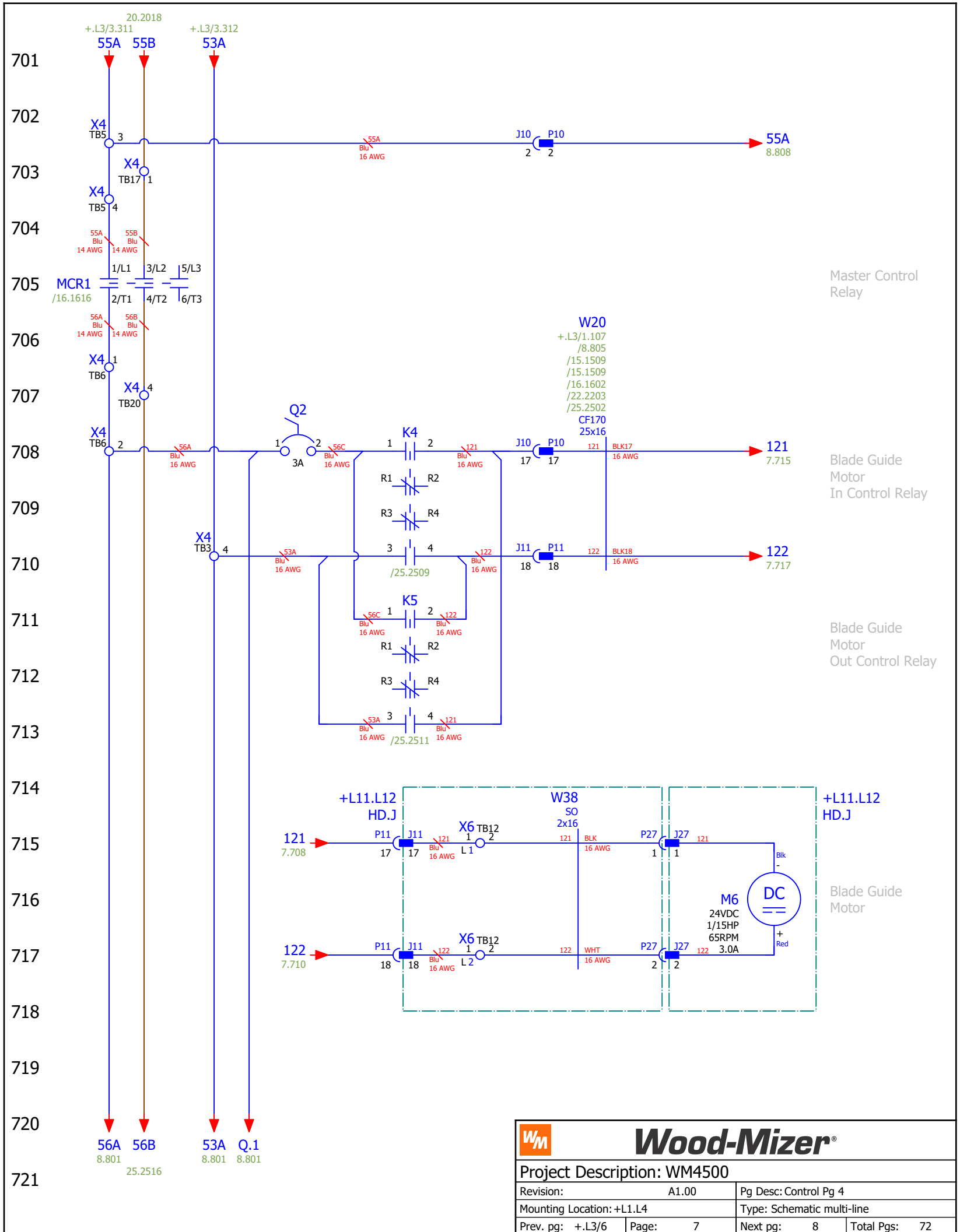



		Wood-Mizer®	
Project Description: WM4500			
Revision:	A1.00	Pg Desc: Control Pg 2	
Mounting Location:	+L1.L3	Type: Schematic multi-line	
Prev. pg:	4	Page:	5
		Next pg:	6
		Total Pgs:	72

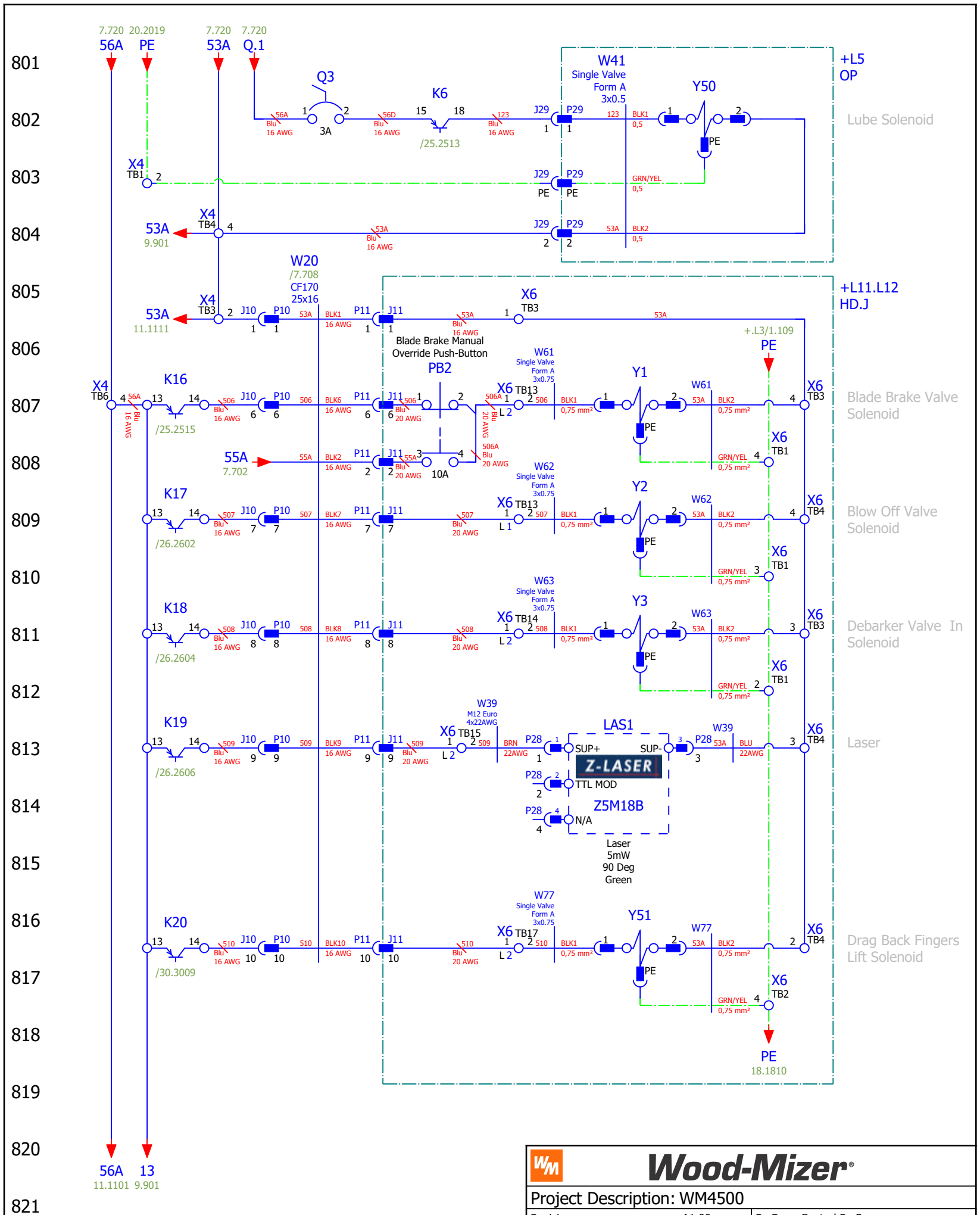
Up/Down Drive Control



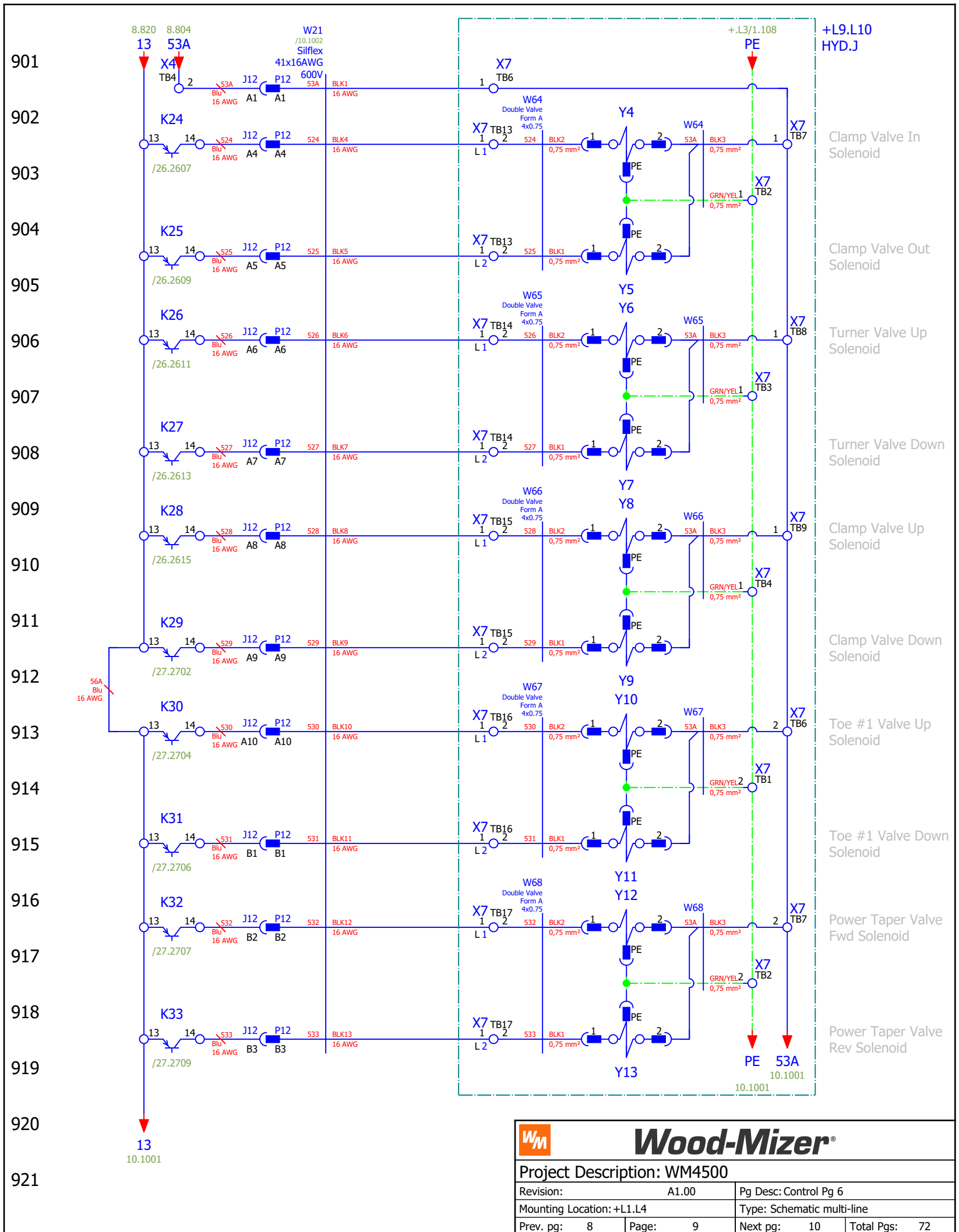
 Wood-Mizer®		Project Description: WM4500	
		Revision: A1.00	Pg Desc: Control Pg 3
Mounting Location: +L1.L3		Type: Schematic multi-line	
Prev. pg: 5	Page: 6	Next pg: +.L4/7	Total Pgs: 72



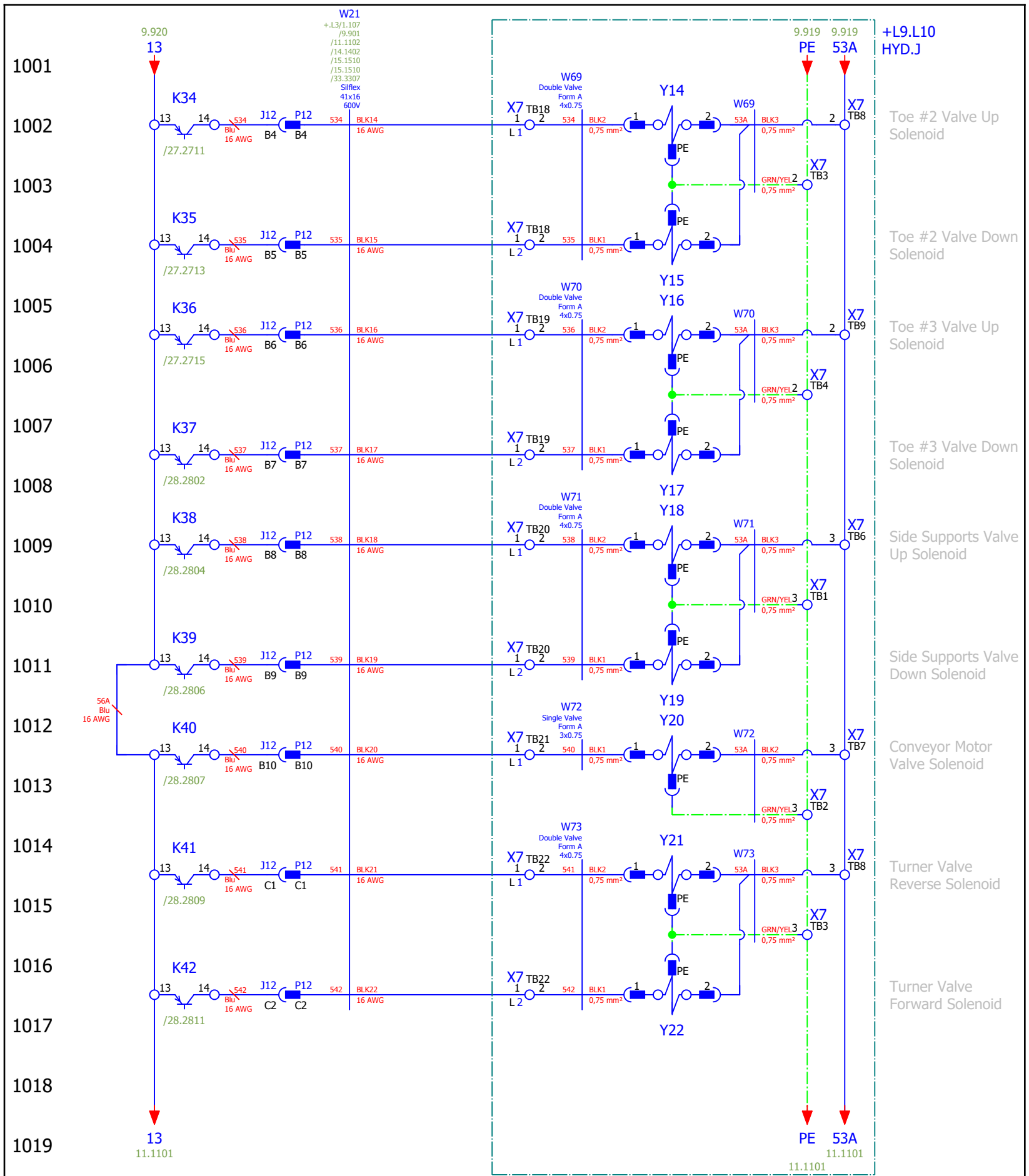
 Wood-Mizer®			
Project Description: WM4500			
Revision:	A1.00	Pg Desc: Control Pg 4	
Mounting Location:	+L1.L4	Type: Schematic multi-line	
Prev. pg:	+L3/6	Page:	7
		Next pg:	8
		Total Pgs:	72




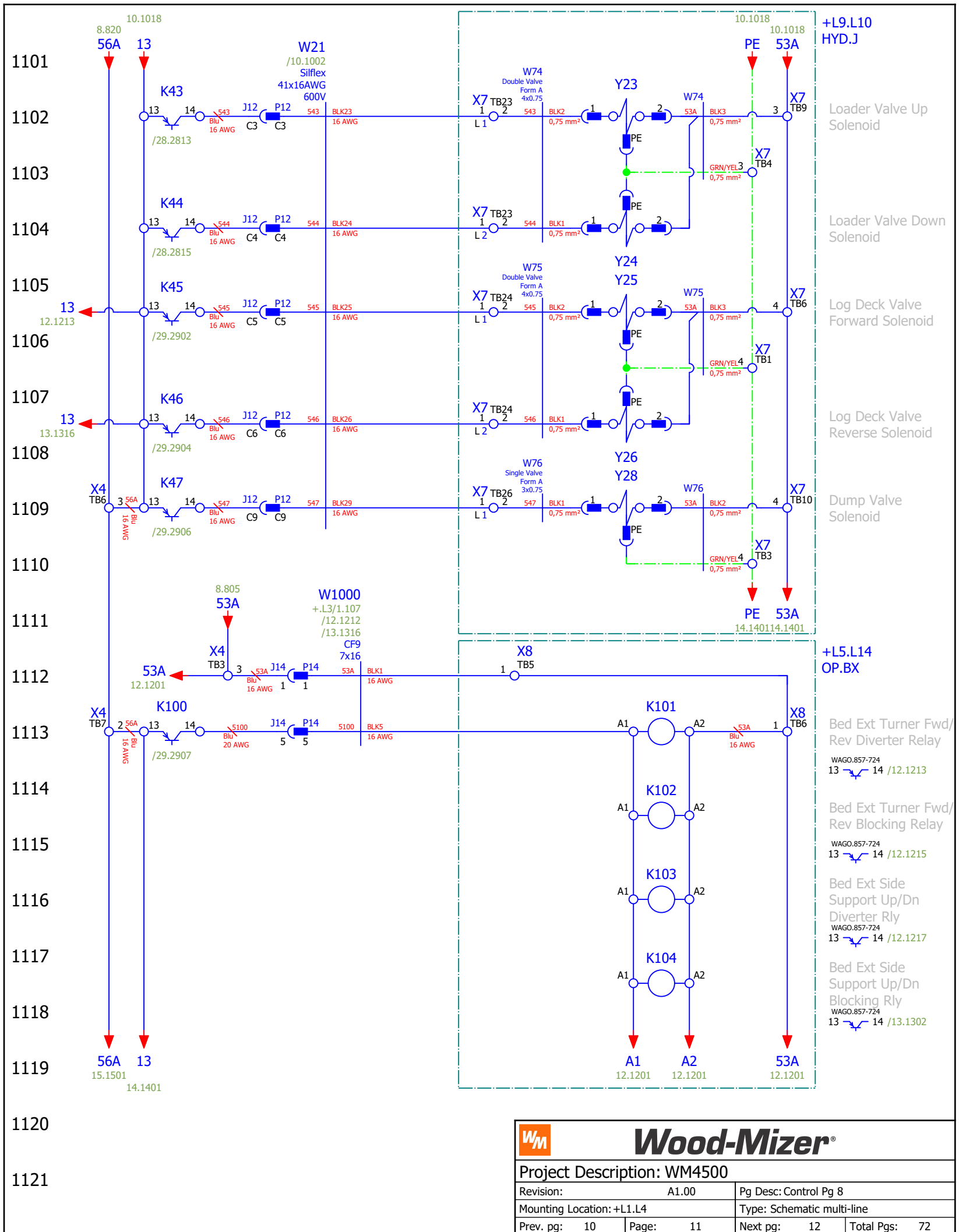
Wood-Mizer®	
Project Description: WM4500	
Revision: A1.00	Pg Desc: Control Pg 5
Mounting Location: +L1.L4	Type: Schematic multi-line
Prev. pg: 7	Page: 8
Next pg: 9	Total Pgs: 72

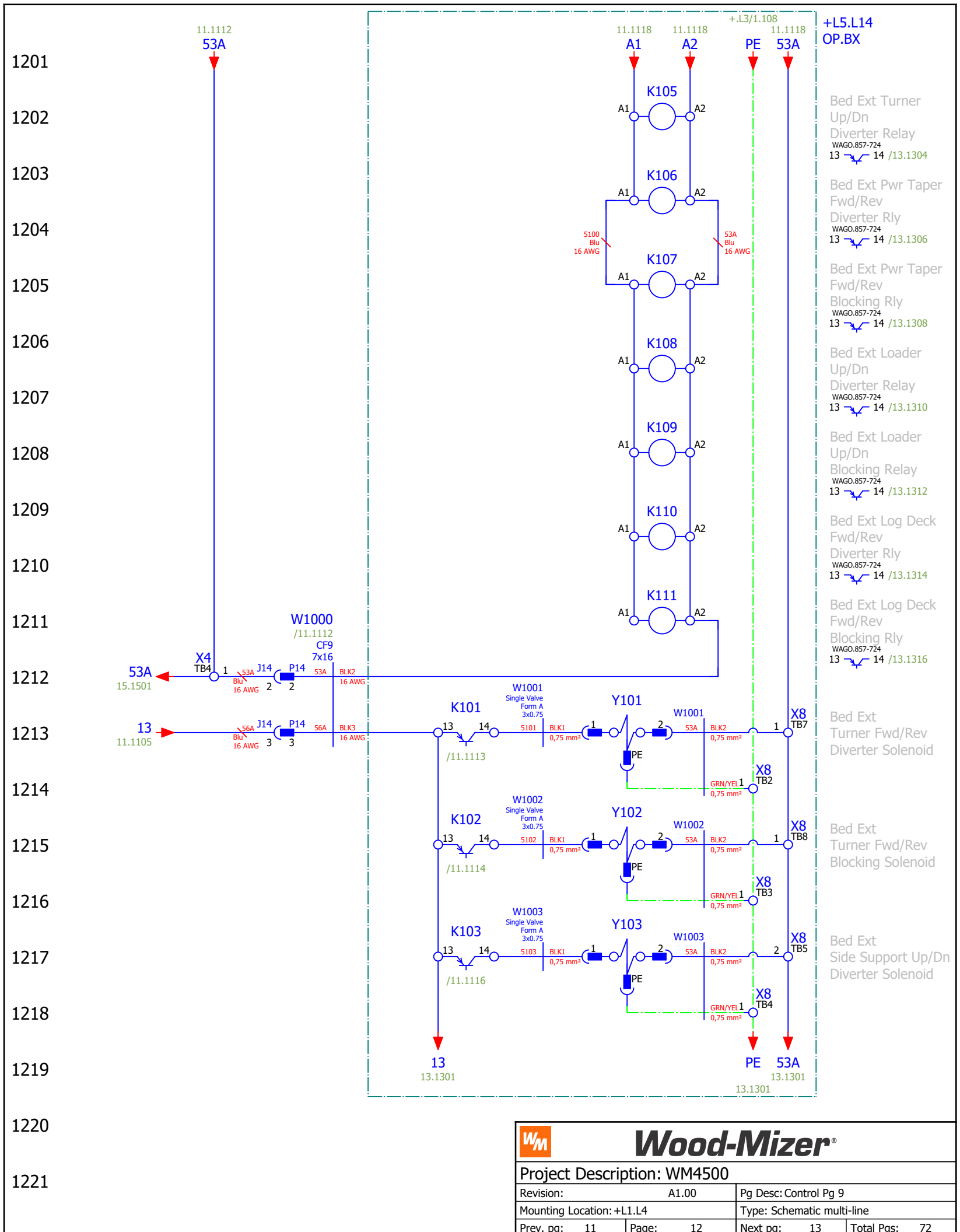


Project Description: WM4500			
Revision:	A1.00	Pg Desc: Control Pg 6	
Mounting Location:	+L1.L4	Type: Schematic multi-line	
Prev. pg:	8	Page:	9
		Next pg:	10
		Total Pgs:	72

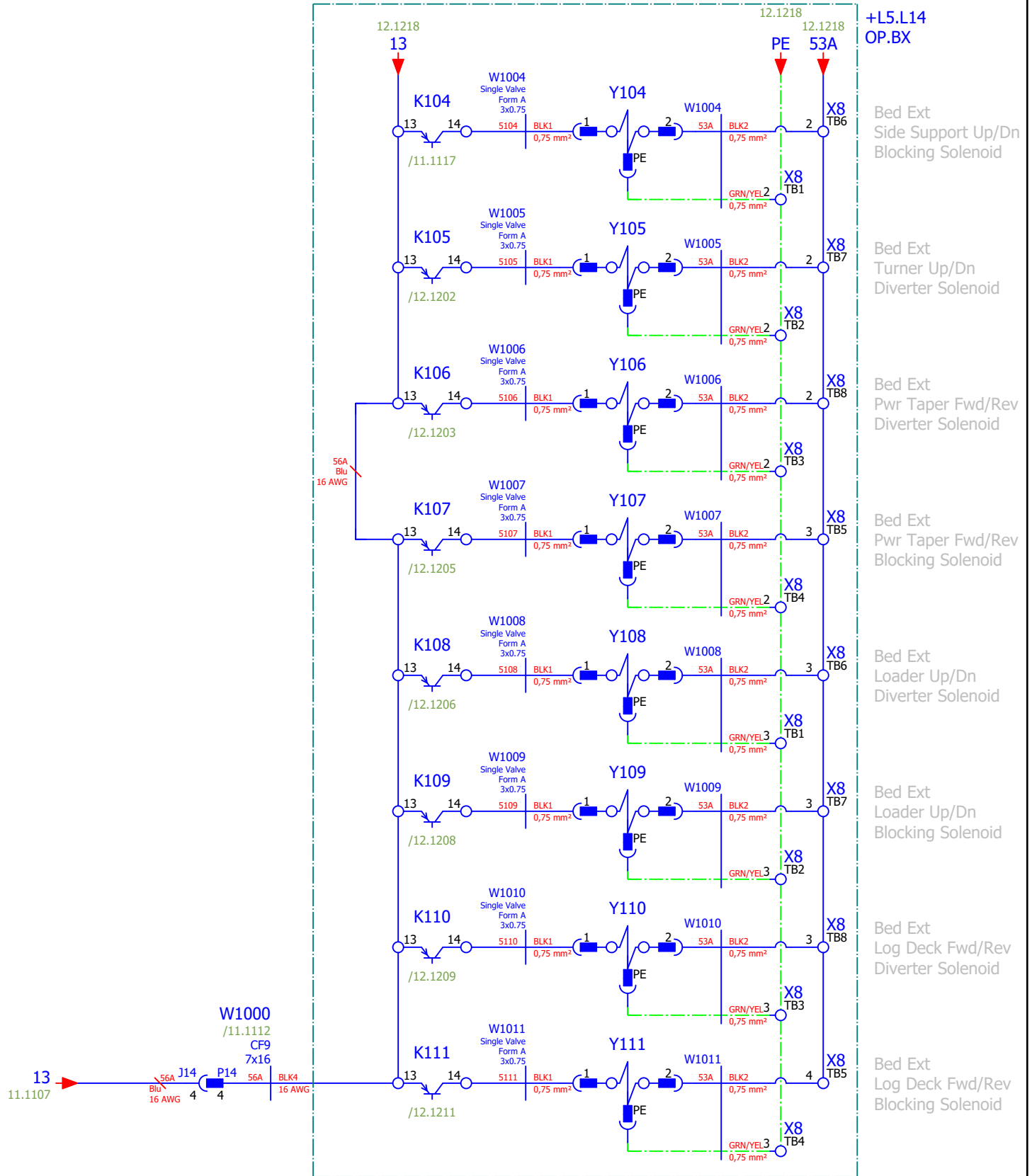


 Wood-Mizer®			
Project Description: WM4500			
Revision:	A1.00	Pg Desc: Control Pg 7	
Mounting Location:	+L1.L4	Type: Schematic multi-line	
Prev. pg:	9	Page:	10
		Next pg:	11
		Total Pgs: 72	

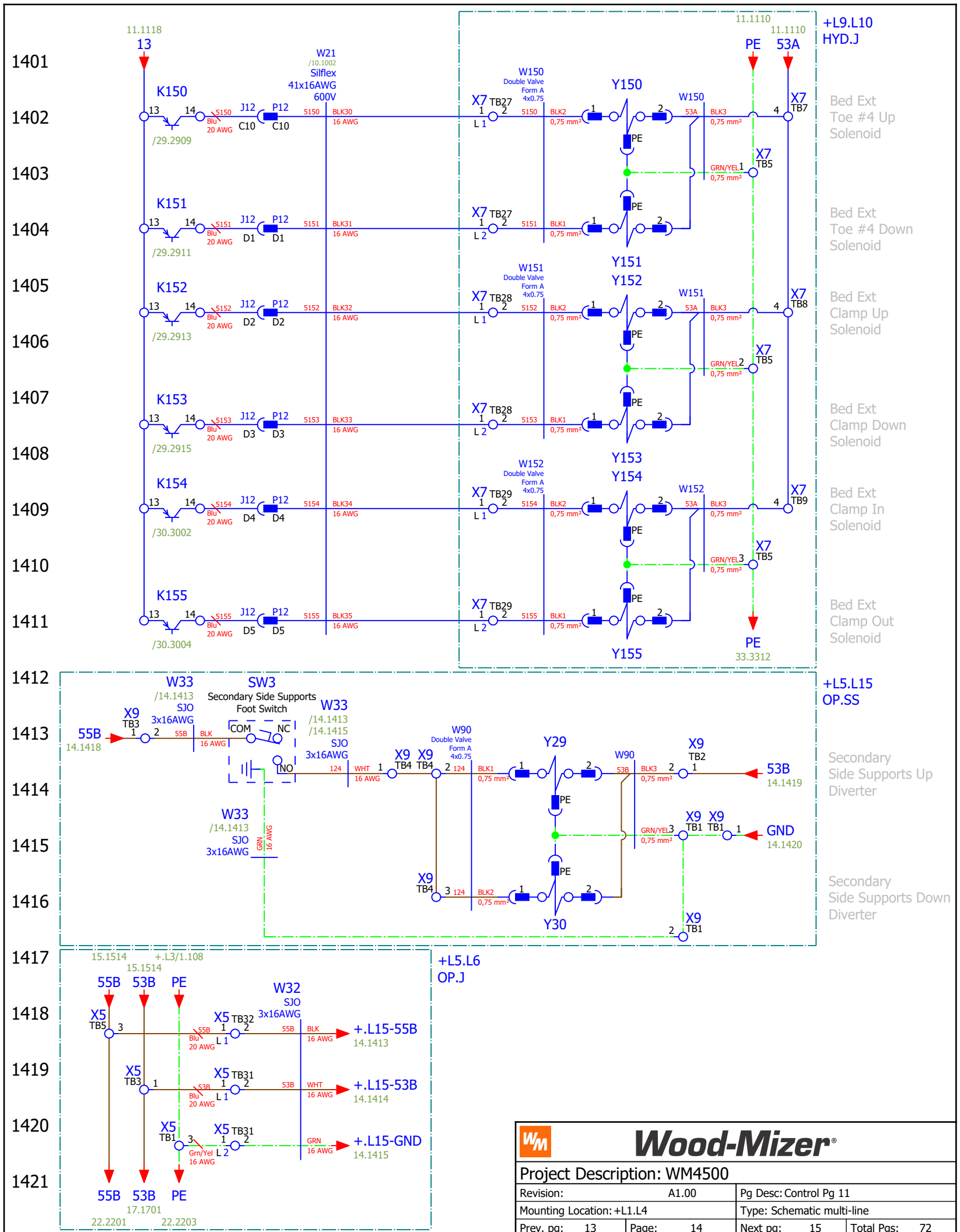




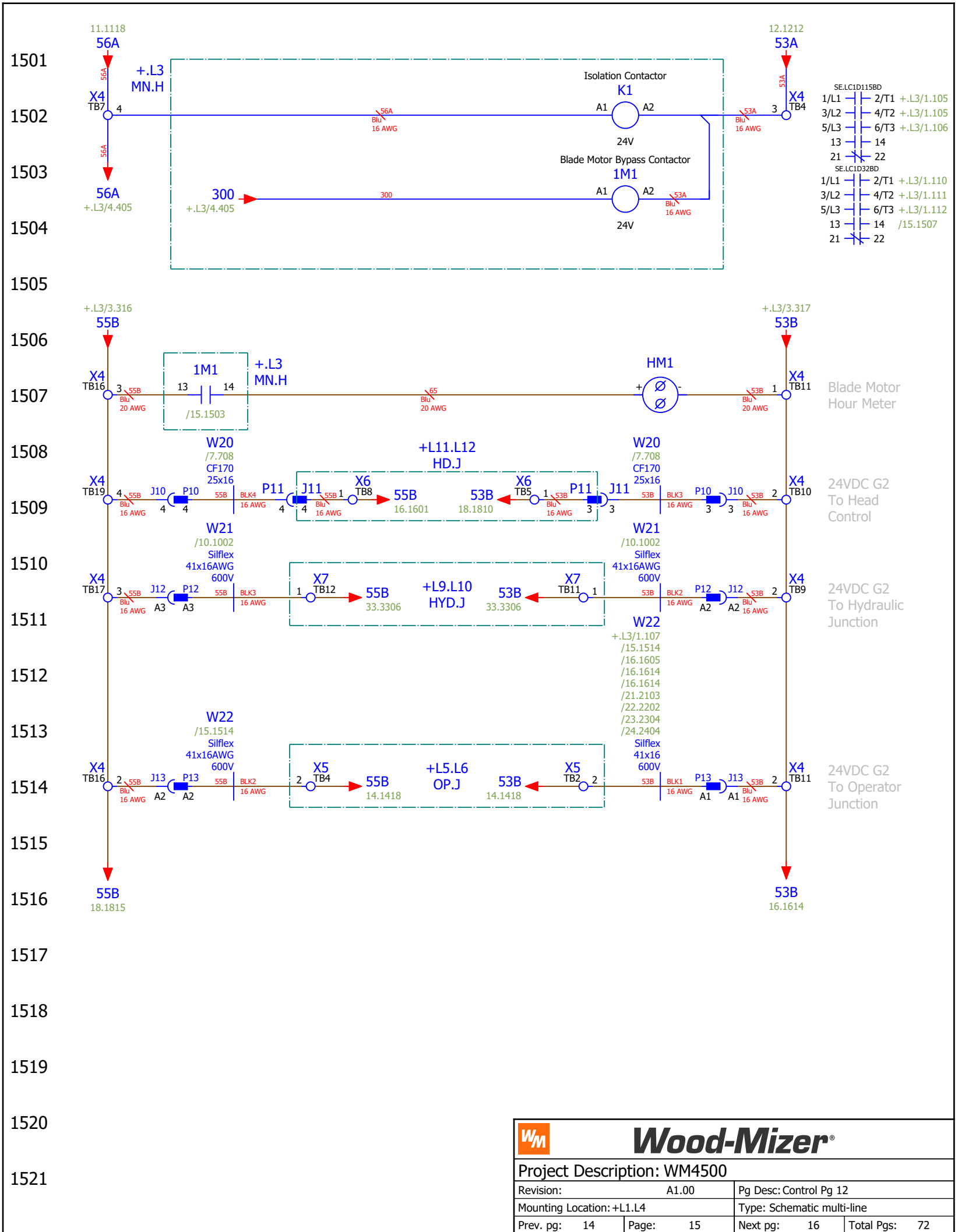
1301
1302
1303
1304
1305
1306
1307
1308
1309
1310
1311
1312
1313
1314
1315
1316
1317
1318
1319
1320
1321



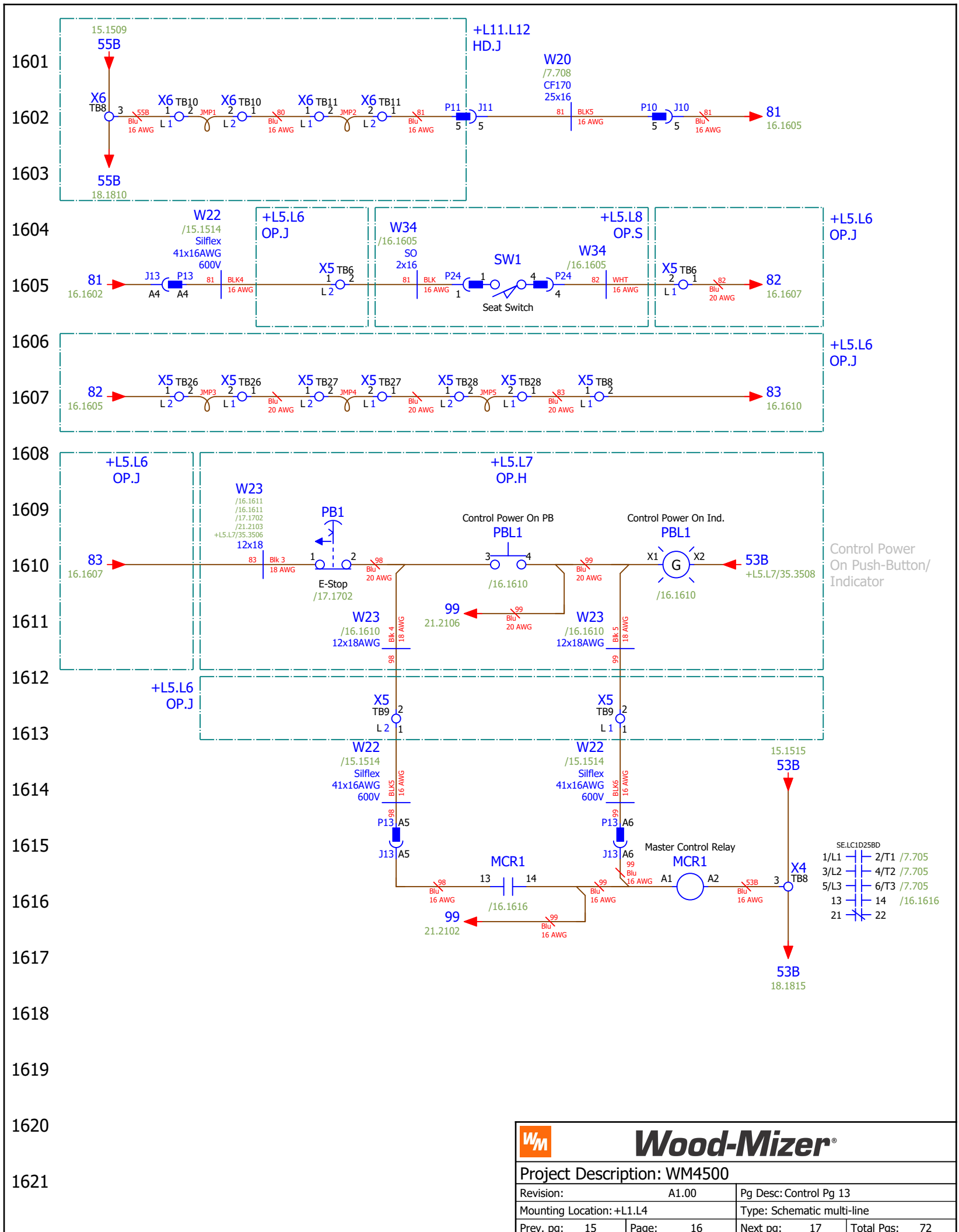
		Wood-Mizer®	
Project Description: WM4500			
Revision:	A1.00	Pg Desc: Control Pg 10	
Mounting Location:	+L1.L4	Type: Schematic multi-line	
Prev. pg:	12	Page:	13
		Next pg:	14
		Total Pgs:	72




Wood-Mizer®			
Project Description: WM4500			
Revision:	A1.00	Pg Desc: Control Pg 11	
Mounting Location:	+L1.L4	Type: Schematic multi-line	
Prev. pg:	13	Page:	14
		Next pg:	15
		Total Pgs:	72

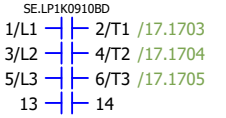
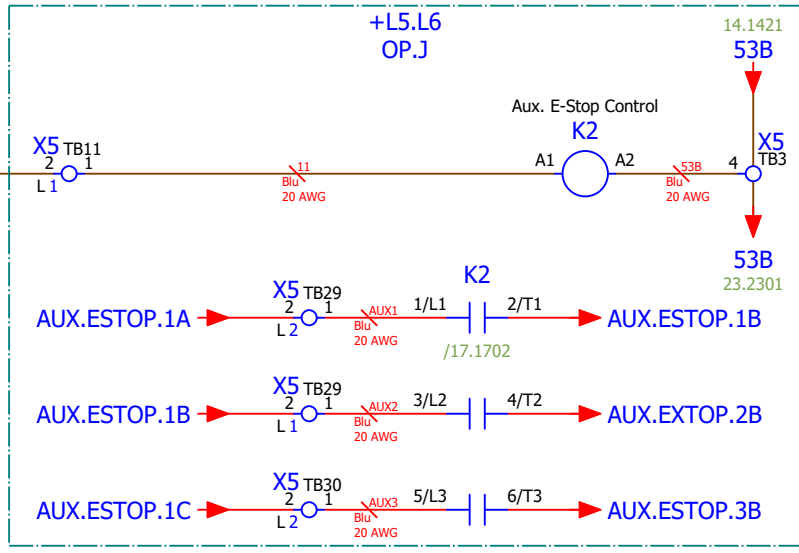
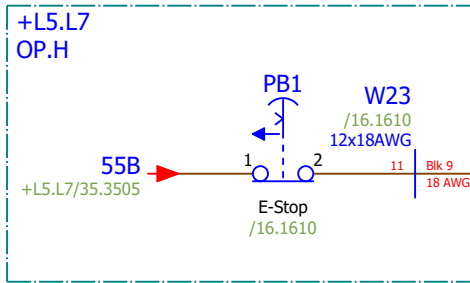


- SE.LC1D115BD
- 1/L1 --- 2/T1 +.L3/1.105
 - 3/L2 --- 4/T2 +.L3/1.105
 - 5/L3 --- 6/T3 +.L3/1.106
 - 13 --- 14
 - 21 --- 22
- SE.LC1D32BD
- 1/L1 --- 2/T1 +.L3/1.110
 - 3/L2 --- 4/T2 +.L3/1.111
 - 5/L3 --- 6/T3 +.L3/1.112
 - 13 --- 14 /15.1507
 - 21 --- 22



 Wood-Mizer®		Project Description: WM4500	
		Revision: A1.00	Pg Desc: Control Pg 13
Mounting Location: +L1.L4		Type: Schematic multi-line	
Prev. pg: 15	Page: 16	Next pg: 17	Total Pgs: 72

1701
1702
1703
1704
1705
1706
1707
1708
1709
1710
1711
1712
1713
1714
1715
1716
1717
1718
1719
1720
1721

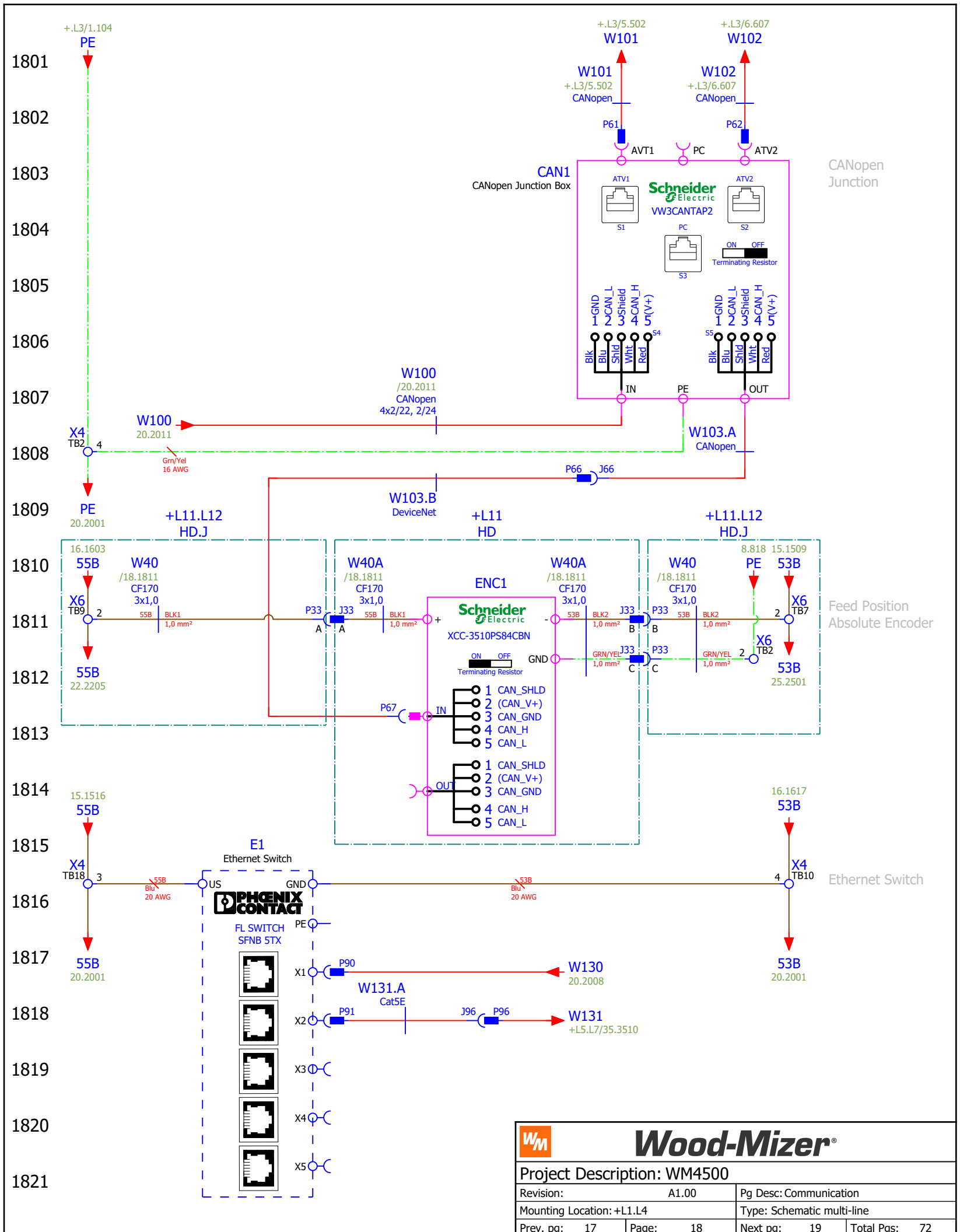


Auxiliary Equipment E-Stop Control 1

Auxiliary Equipment E-Stop Control 2

Auxiliary Equipment E-Stop Control 3

		Wood-Mizer®	
Project Description: WM4500			
Revision:	A1.00	Pg Desc: Control Pg 14	
Mounting Location: +L1.L4		Type: Schematic multi-line	
Prev. pg:	16	Page:	17
Next pg:		18	Total Pgs: 72



Wood-Mizer®			
Project Description: WM4500			
Revision:	A1.00	Pg Desc: Communication	
Mounting Location:	+L1.L4	Type: Schematic multi-line	
Prev. pg:	17	Page:	18
		Next pg:	19
		Total Pgs: 72	

PLC1.7

PLC1.6

PLC1.5

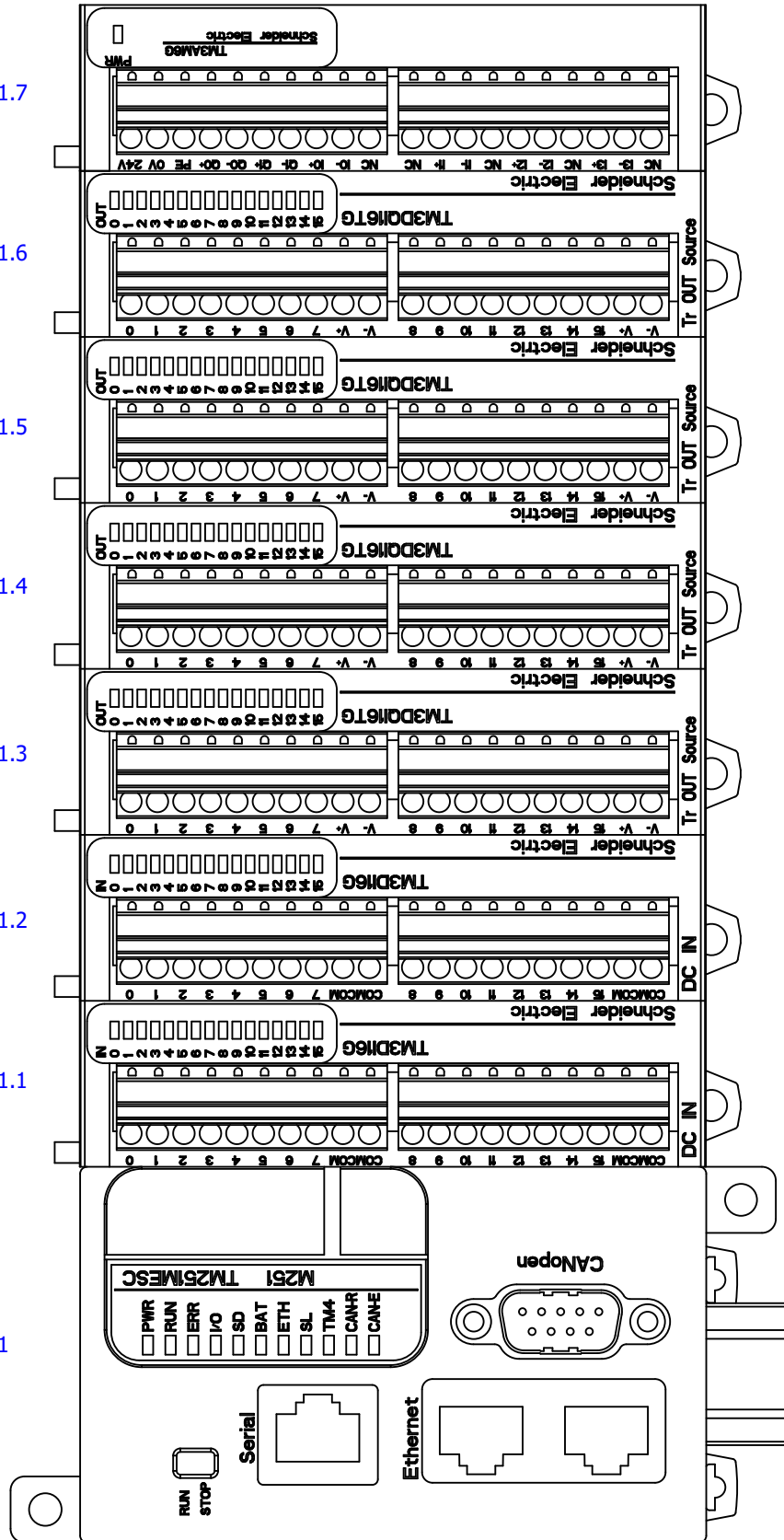
PLC1.4

PLC1.3

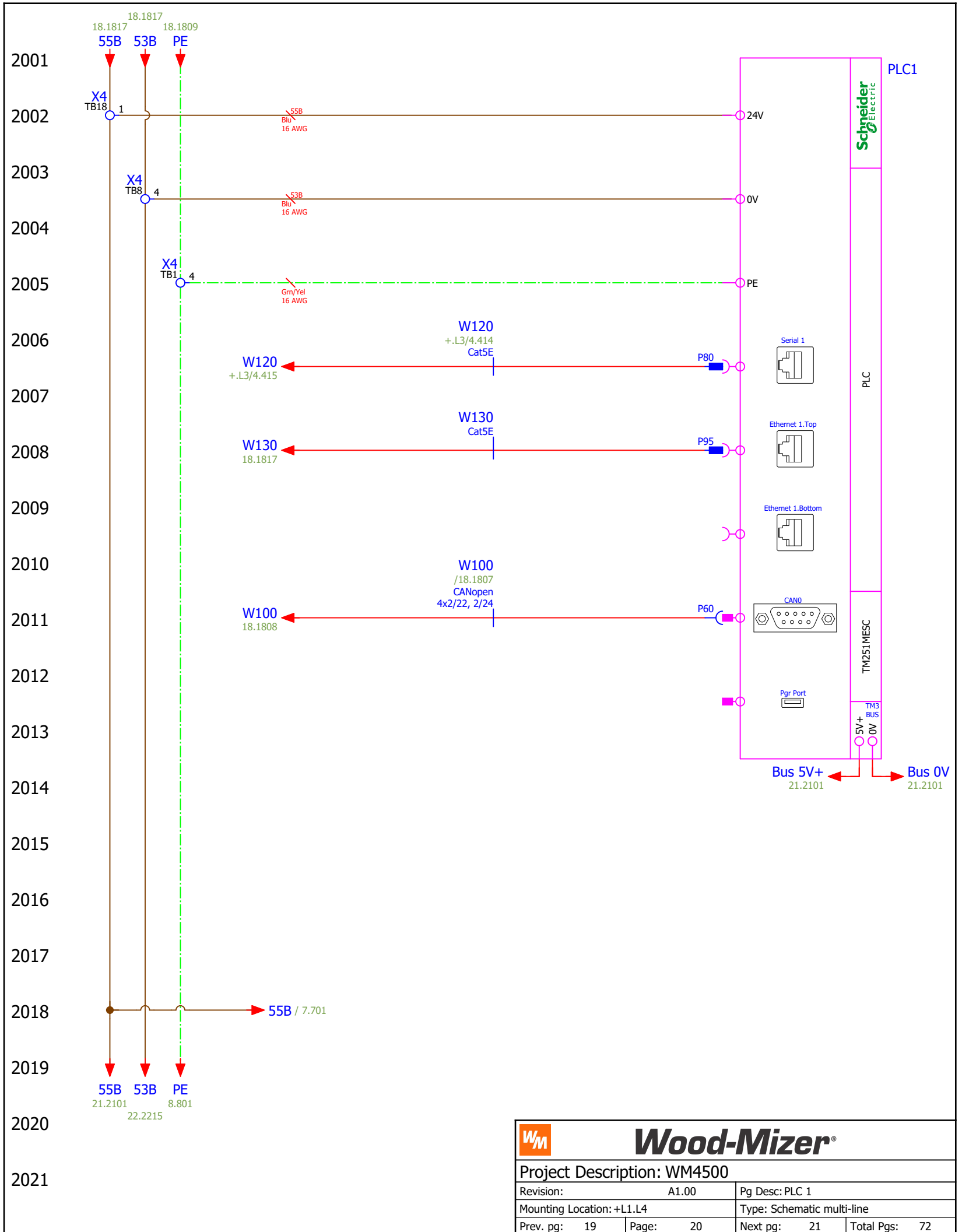
PLC1.2


PLC1.1

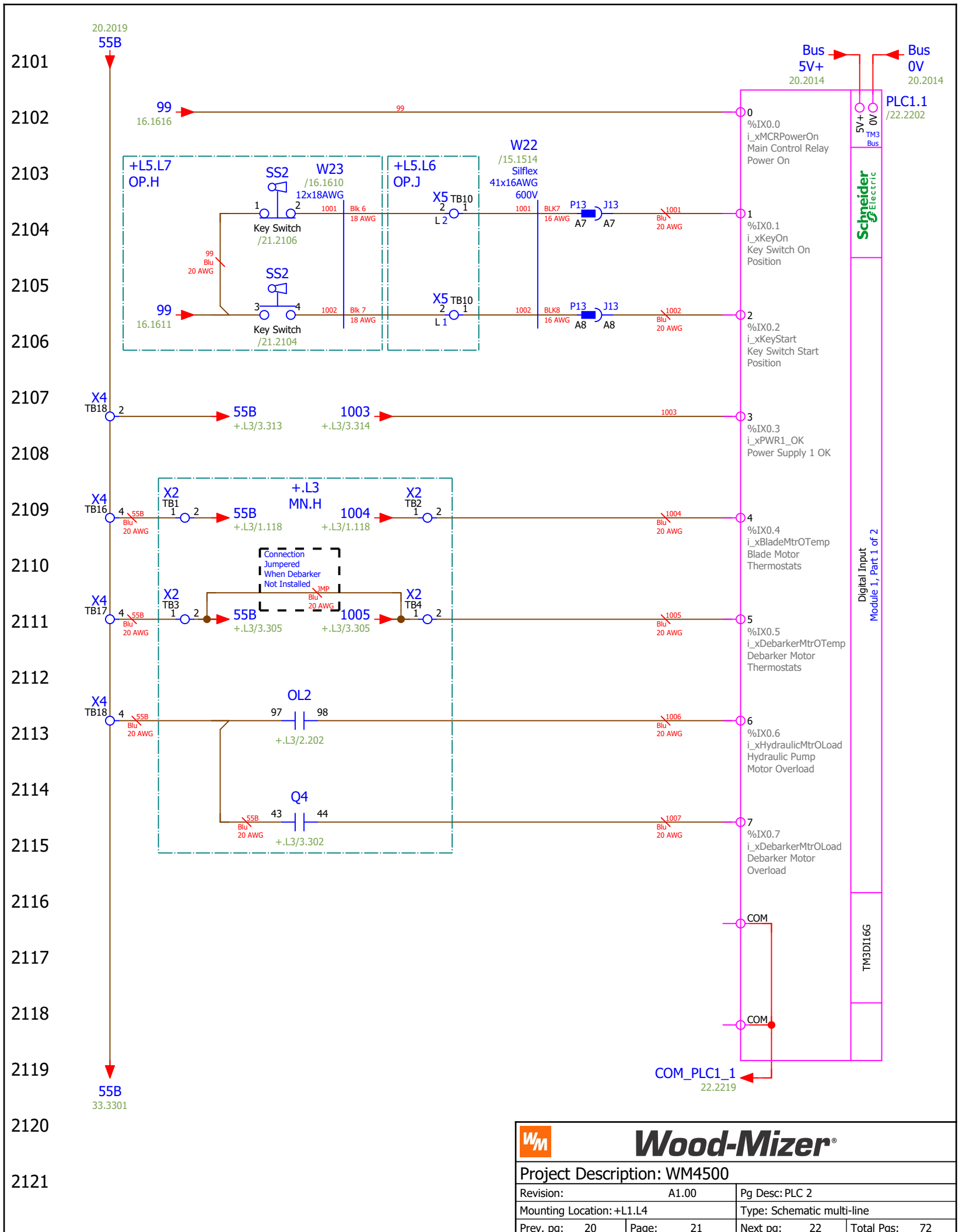
PLC1

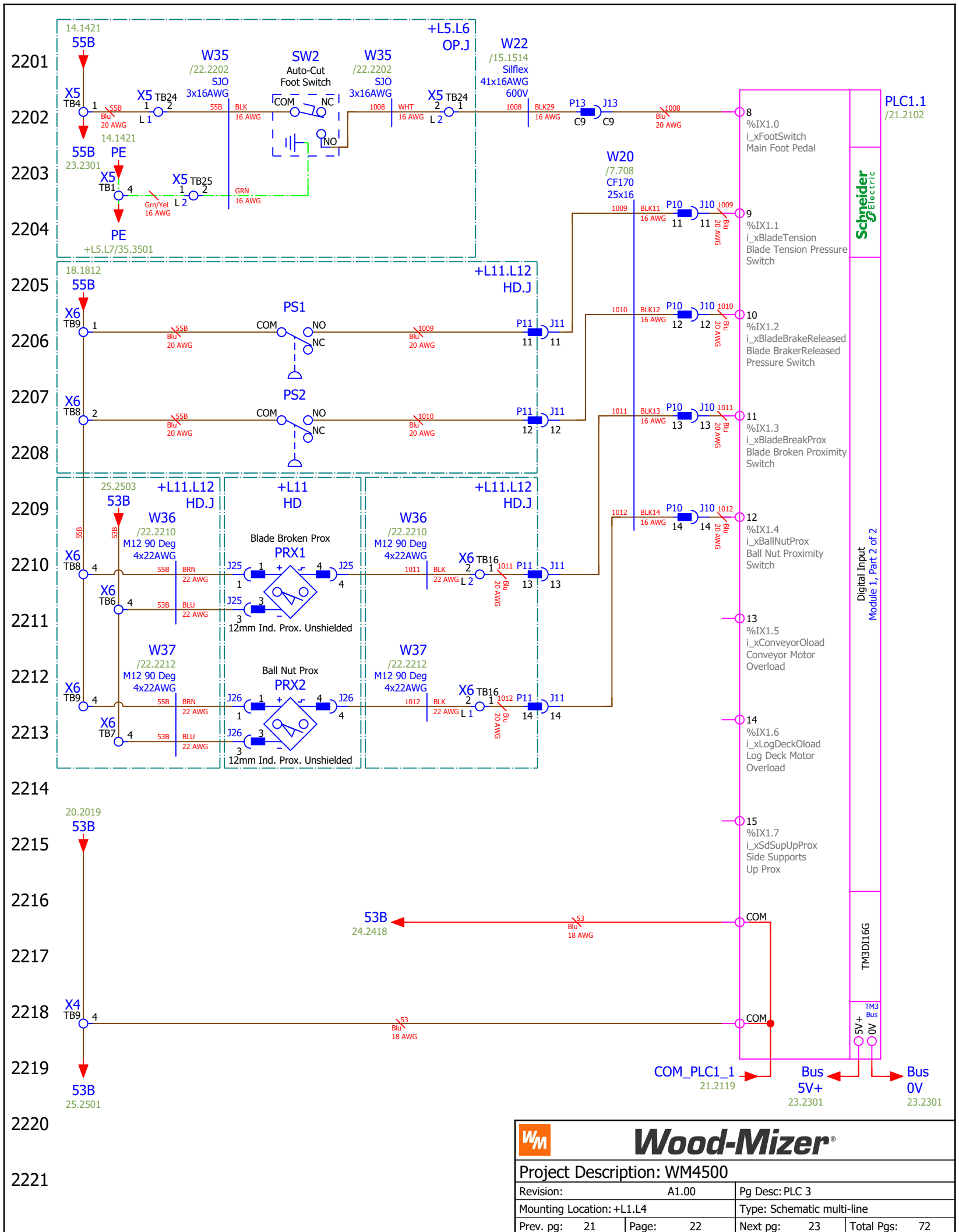



		Wood-Mizer®	
Project Description: WM4500			
Revision:	A1.00	Pg Desc: PLC Diagram	
Mounting Location:	+L1.L4	Type: Panel layout	
Prev. pg:	18	Page:	19
		Next pg:	20
		Total Pgs:	72

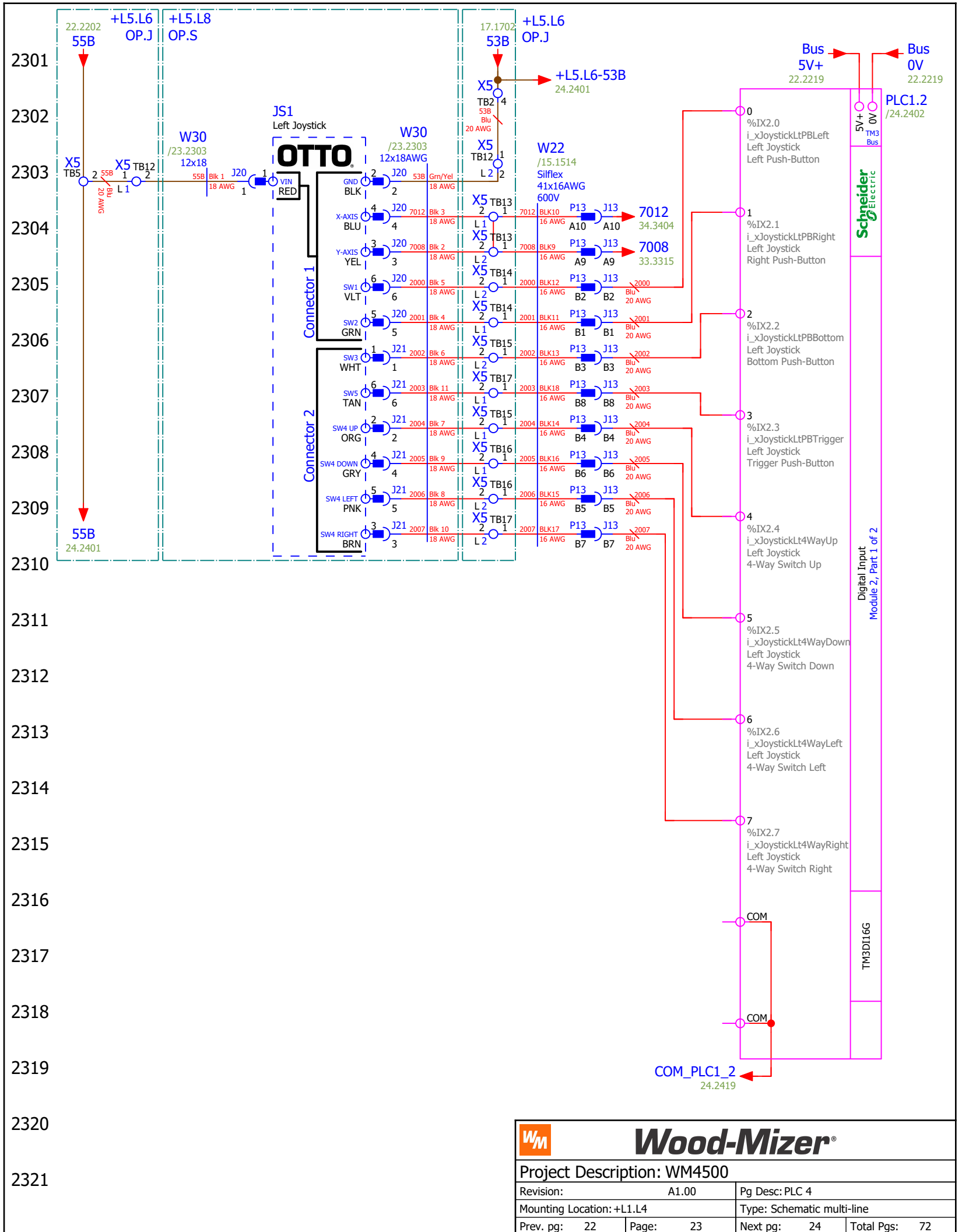


		Wood-Mizer®	
Project Description: WM4500			
Revision:	A1.00	Pg Desc: PLC 1	
Mounting Location:	+L1.L4	Type: Schematic multi-line	
Prev. pg:	19	Page:	20
		Next pg:	21
		Total Pgs:	72

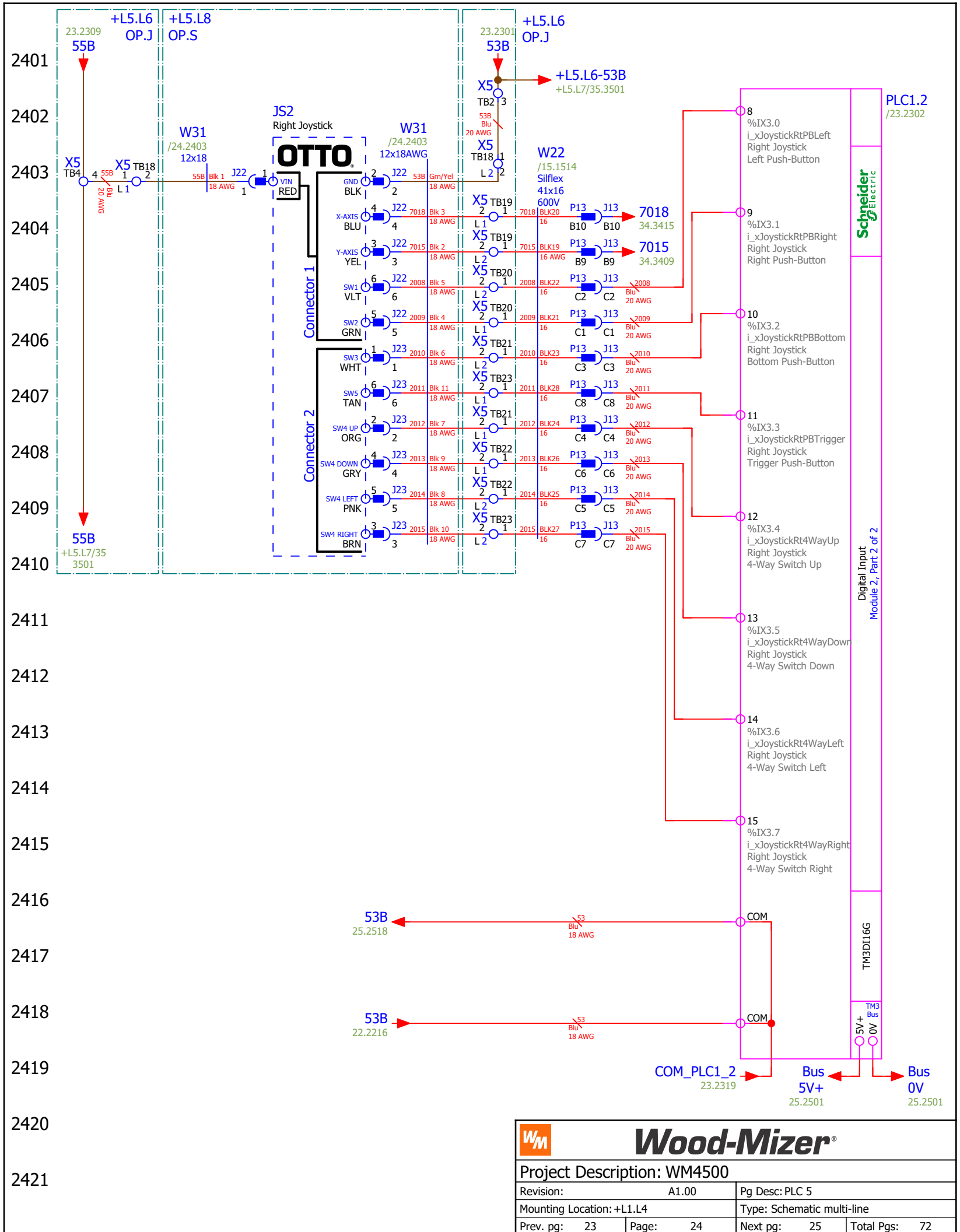




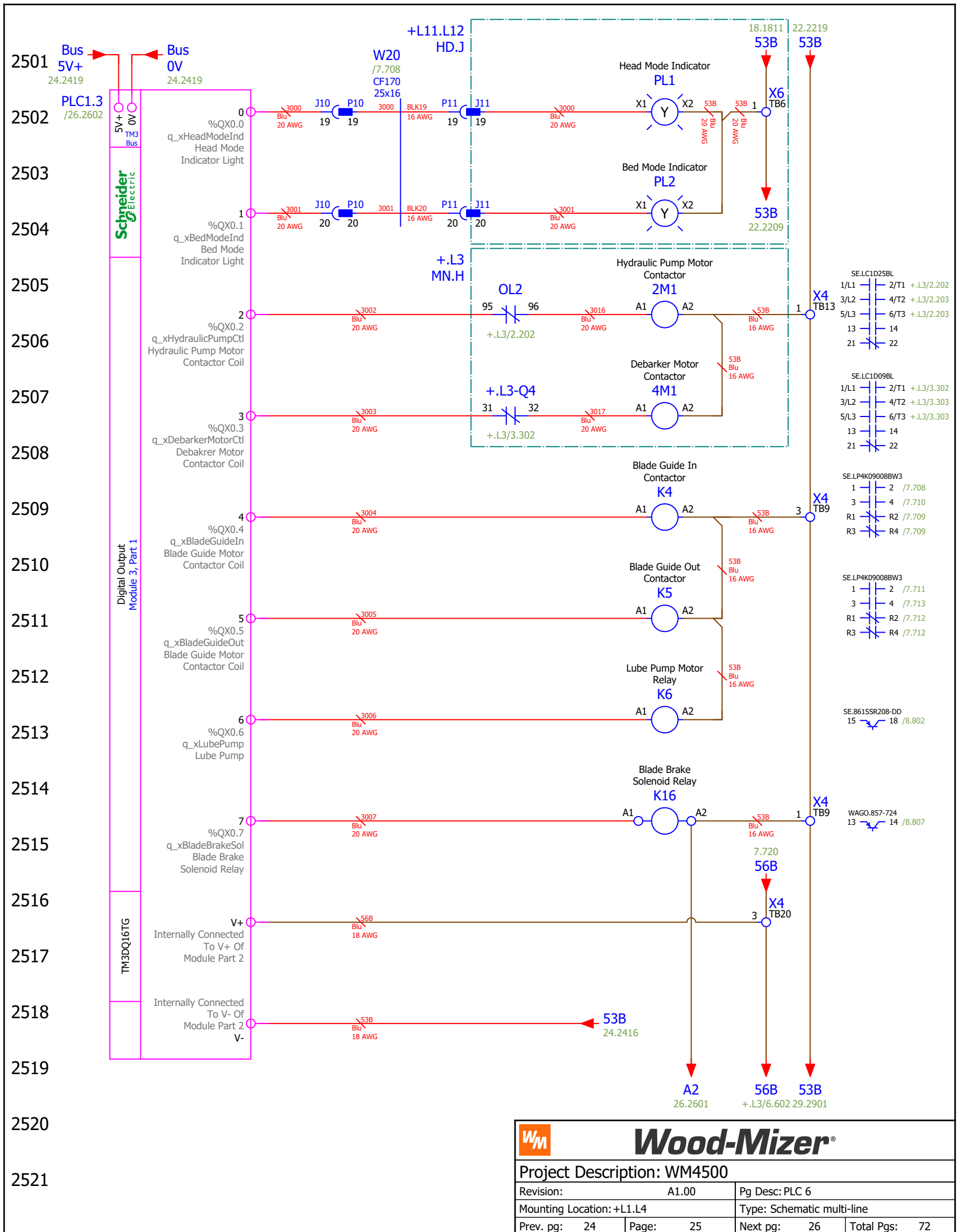
 Wood-Mizer®			
Project Description: WM4500			
Revision:	A1.00	Pg Desc: PLC 3	
Mounting Location:	+L1.L4	Type: Schematic multi-line	
Prev. pg:	21	Page:	22
		Next pg:	23
		Total Pgs:	72



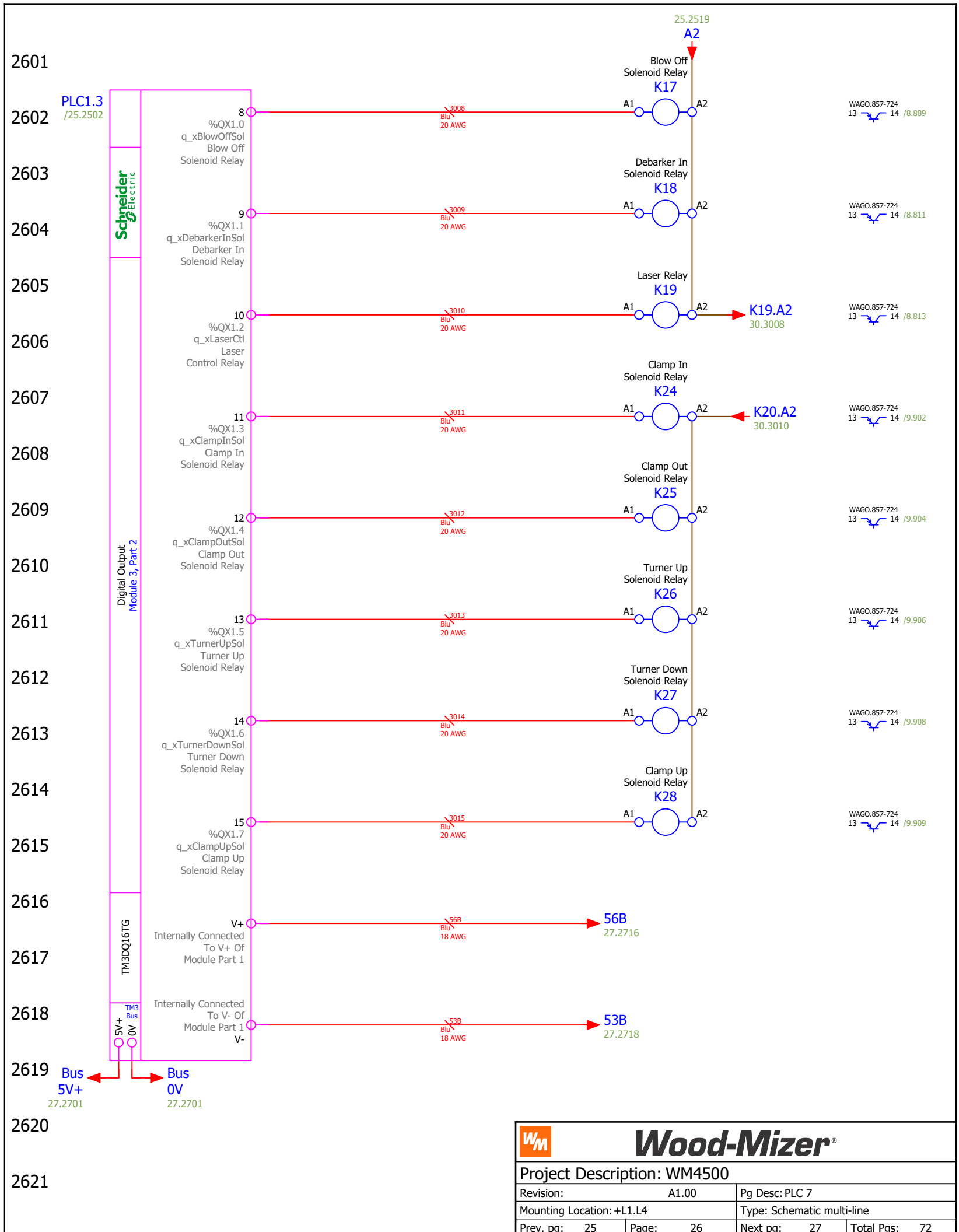
WM Wood-Mizer®			
Project Description: WM4500			
Revision:	A1.00	Pg Desc: PLC 4	
Mounting Location:	+L1.L4	Type: Schematic multi-line	
Prev. pg:	22	Page:	23
		Next pg:	24
		Total Pgs:	72



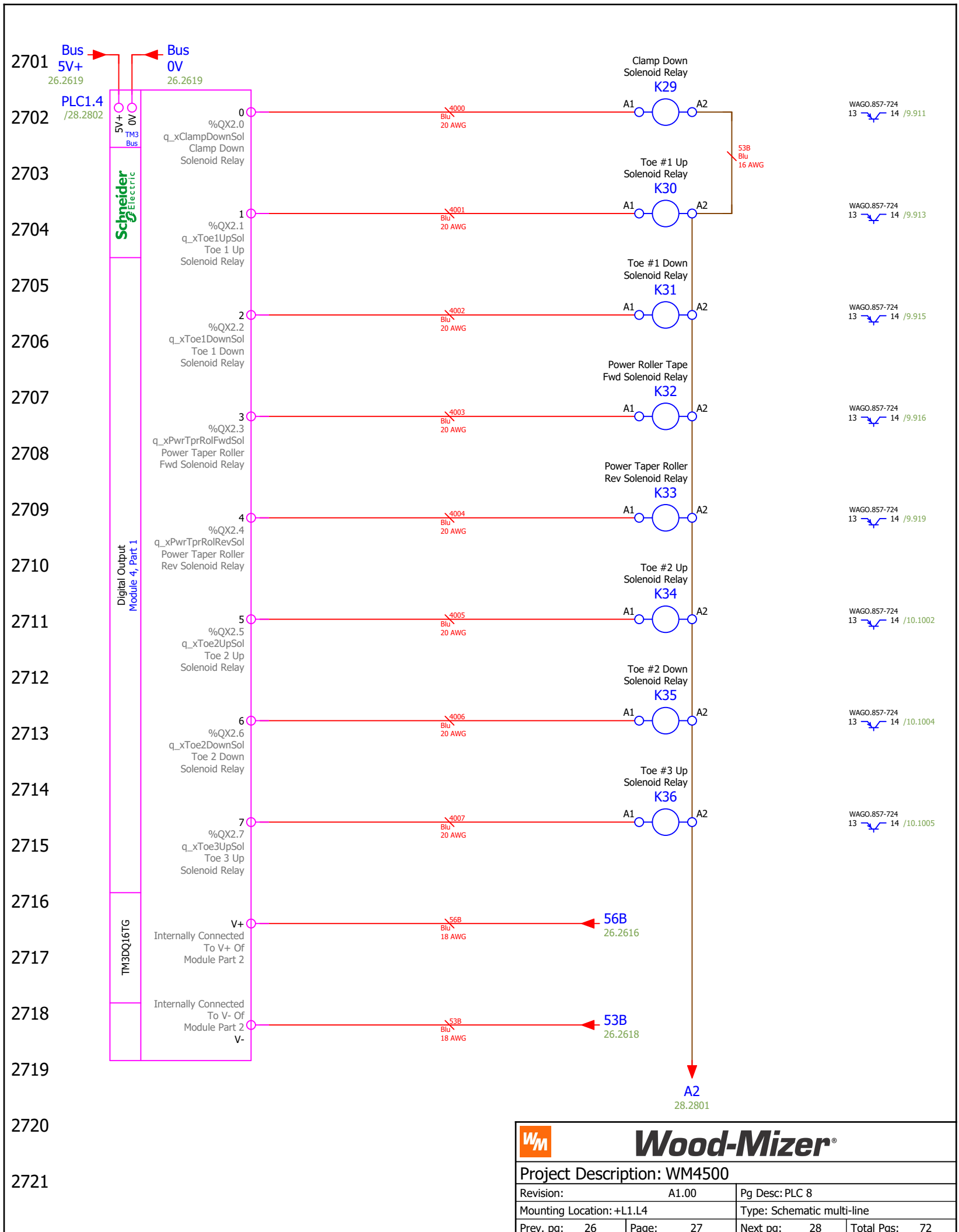
Wood-Mizer®			
Project Description: WM4500			
Revision:	A1.00	Pg Desc: PLC 5	
Mounting Location:	+L1.L4	Type: Schematic multi-line	
Prev. pg:	23	Page:	24
		Next pg:	25
		Total Pgs:	72

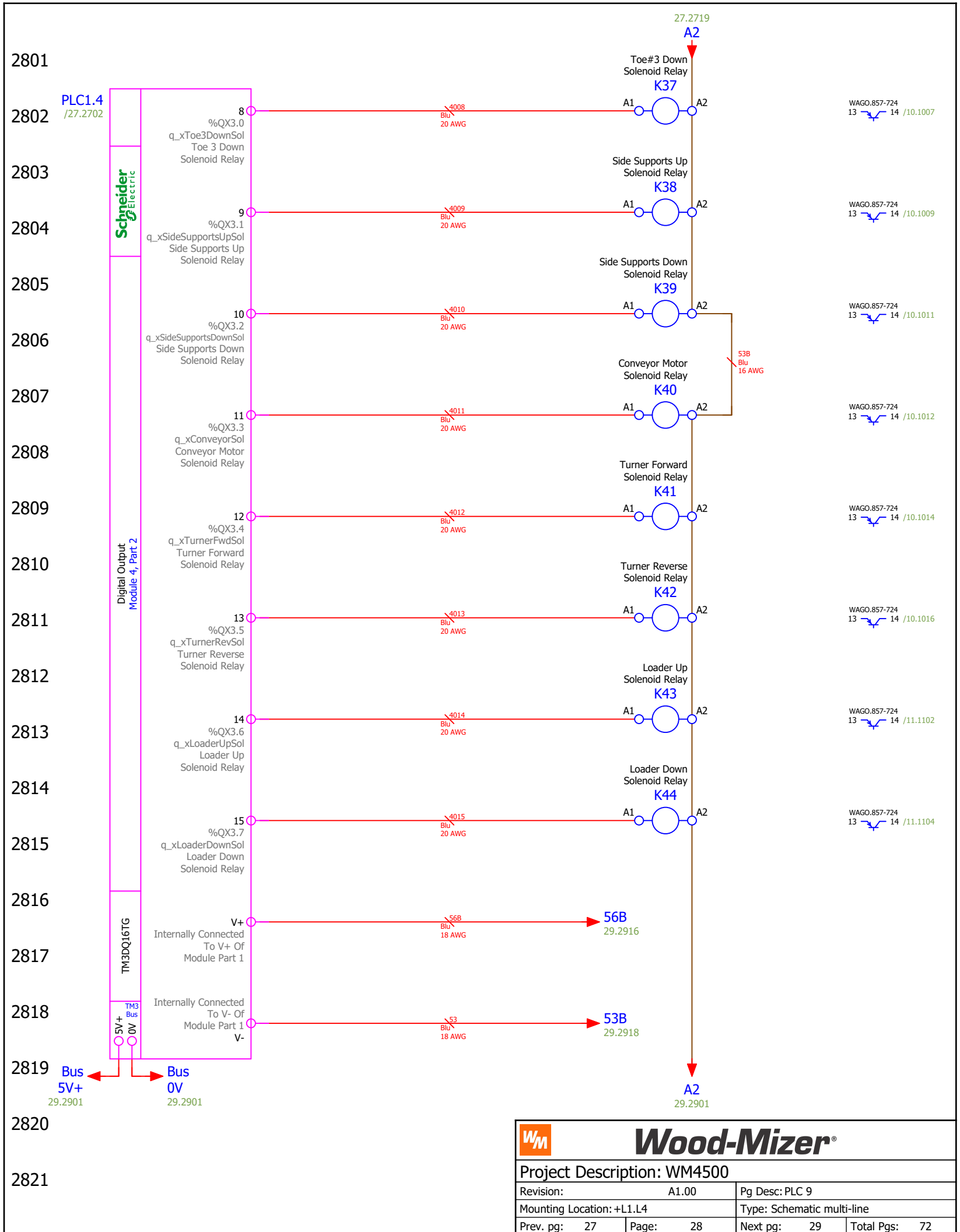


Wood-Mizer®			
Project Description: WM4500			
Revision:	A1.00	Pg Desc: PLC 6	
Mounting Location:	+L1.L4	Type: Schematic multi-line	
Prev. pg:	24	Page:	25
		Next pg:	26
		Total Pgs:	72

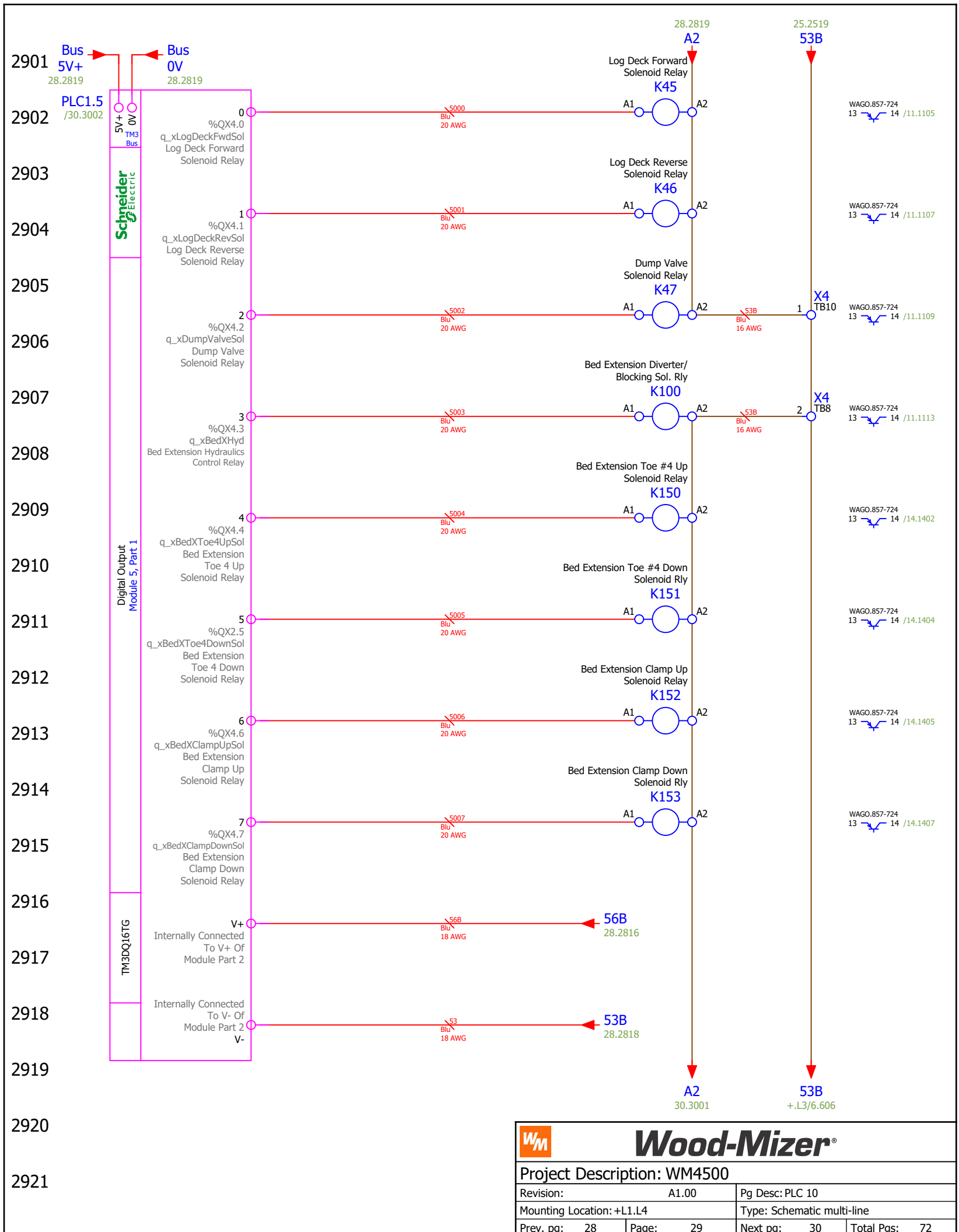


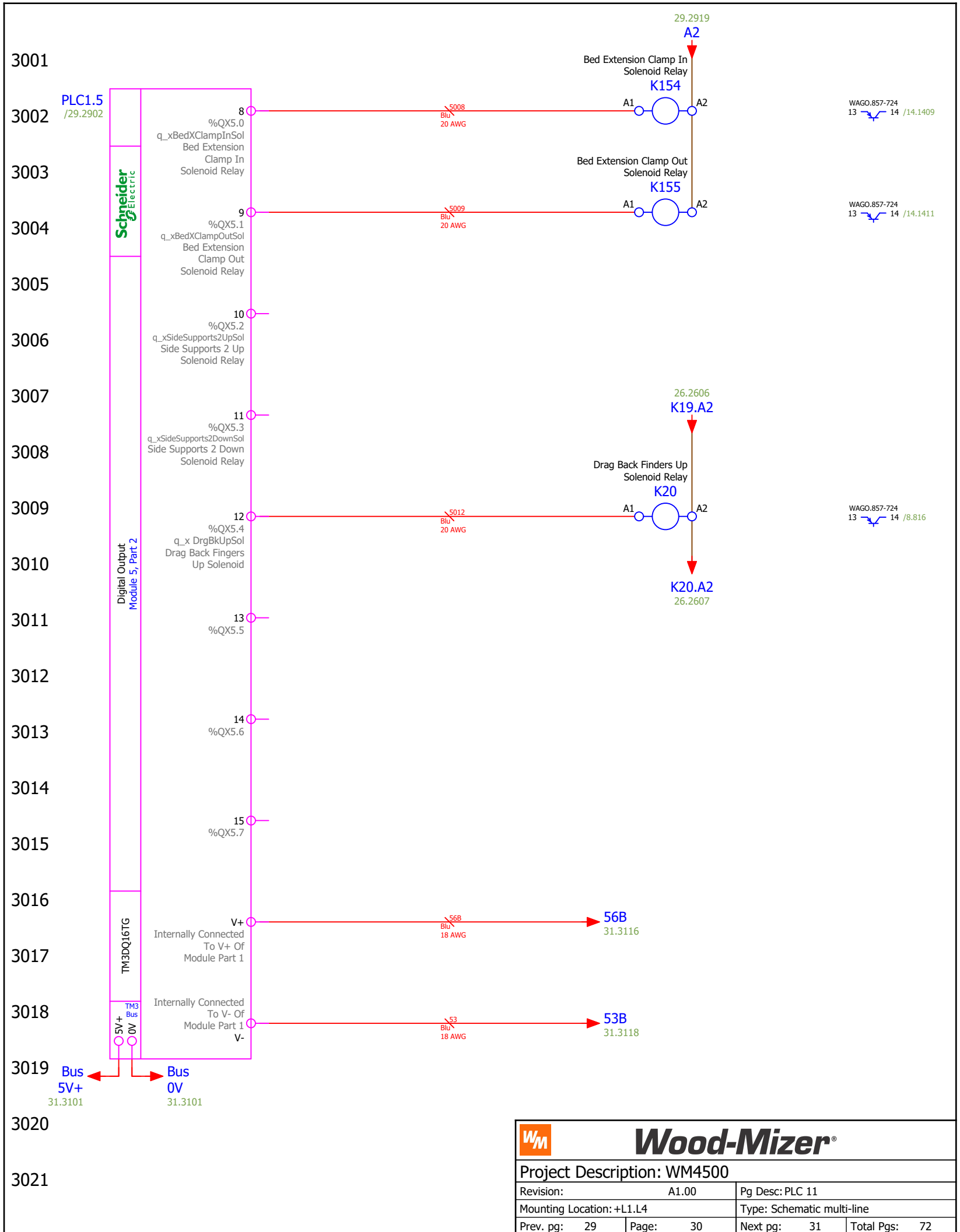
		Wood-Mizer®	
Revision:	A1.00	Pg Desc: PLC 7	
Mounting Location:	+L1.L4	Type: Schematic multi-line	
Prev. pg:	25	Page:	26
		Next pg:	27
		Total Pgs:	72

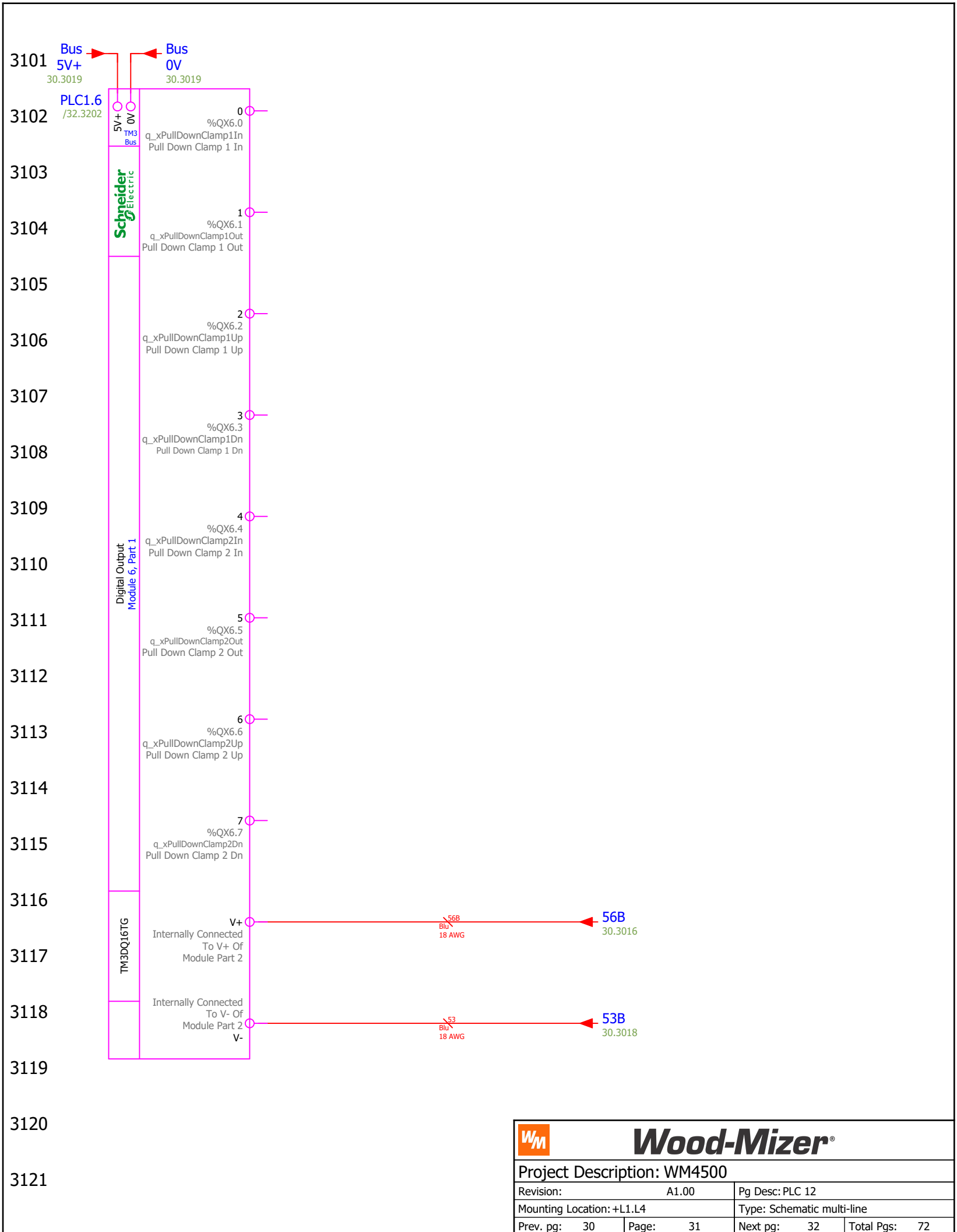




W/M Wood-Mizer®			
Project Description: WM4500			
Revision:	A1.00	Pg Desc: PLC 9	
Mounting Location:	+L1.L4	Type: Schematic multi-line	
Prev. pg:	27	Page:	28
		Next pg:	29
		Total Pgs:	72







3201

3202 PLC1.6
/31.3102

3203

3204

3205

3206

3207

3208

3209

3210

3211

3212

3213

3214

3215

3216

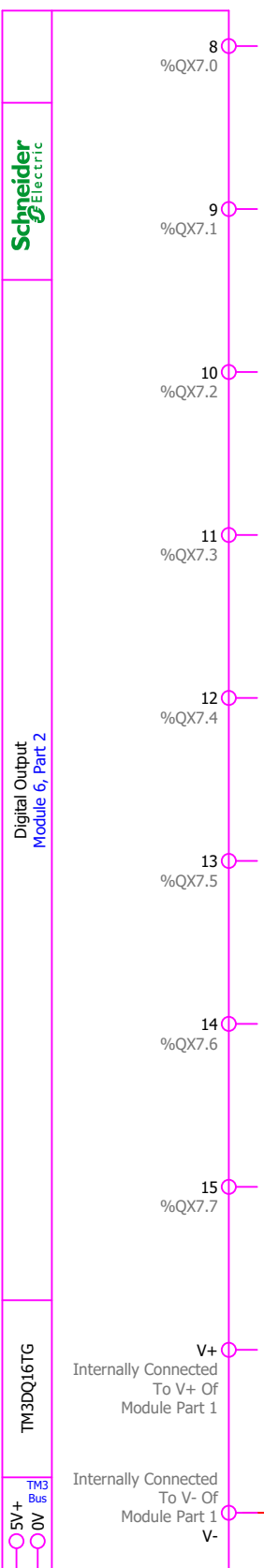
3217

3218

3219

3220


3221

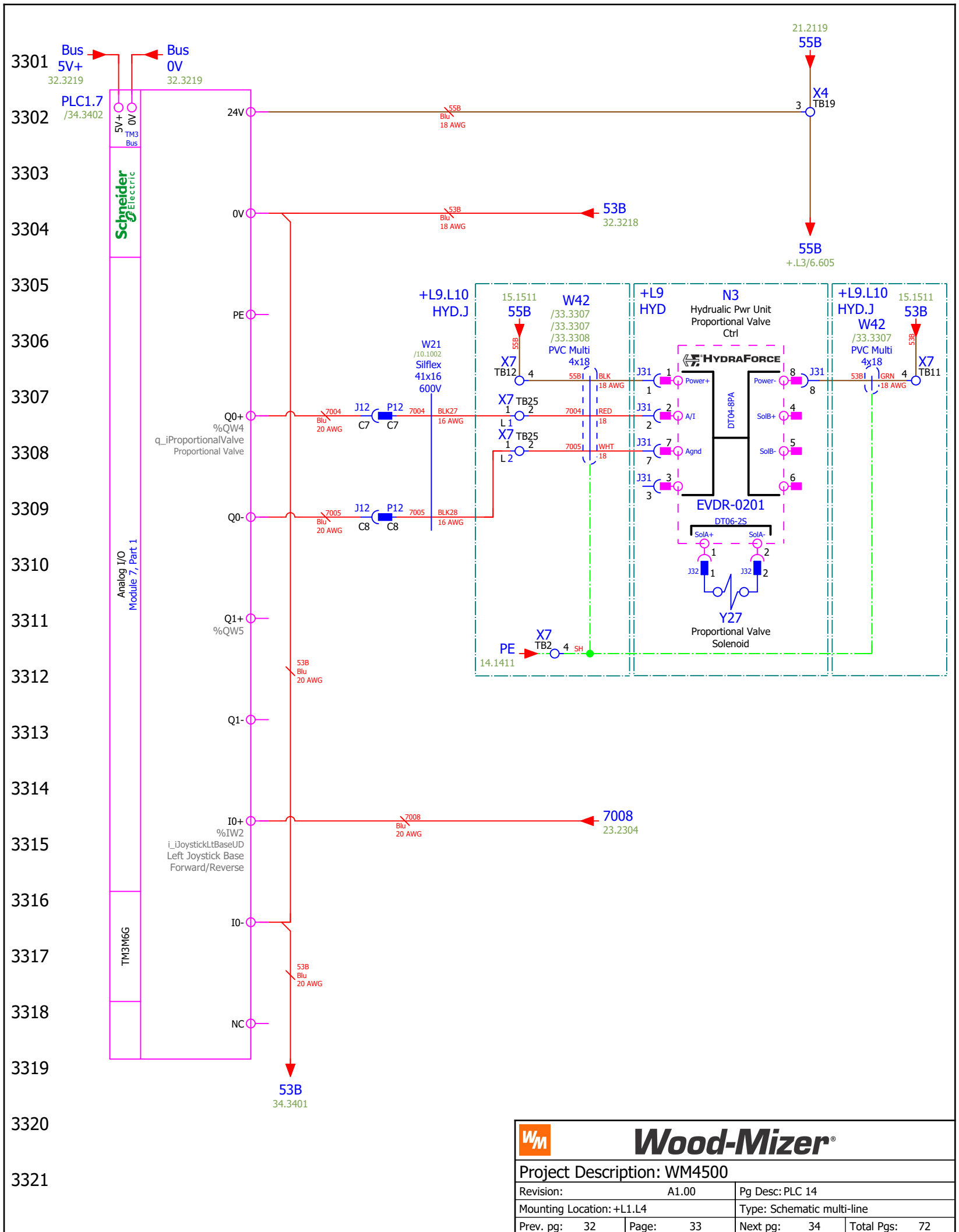


Bus 5V+ 33.3301

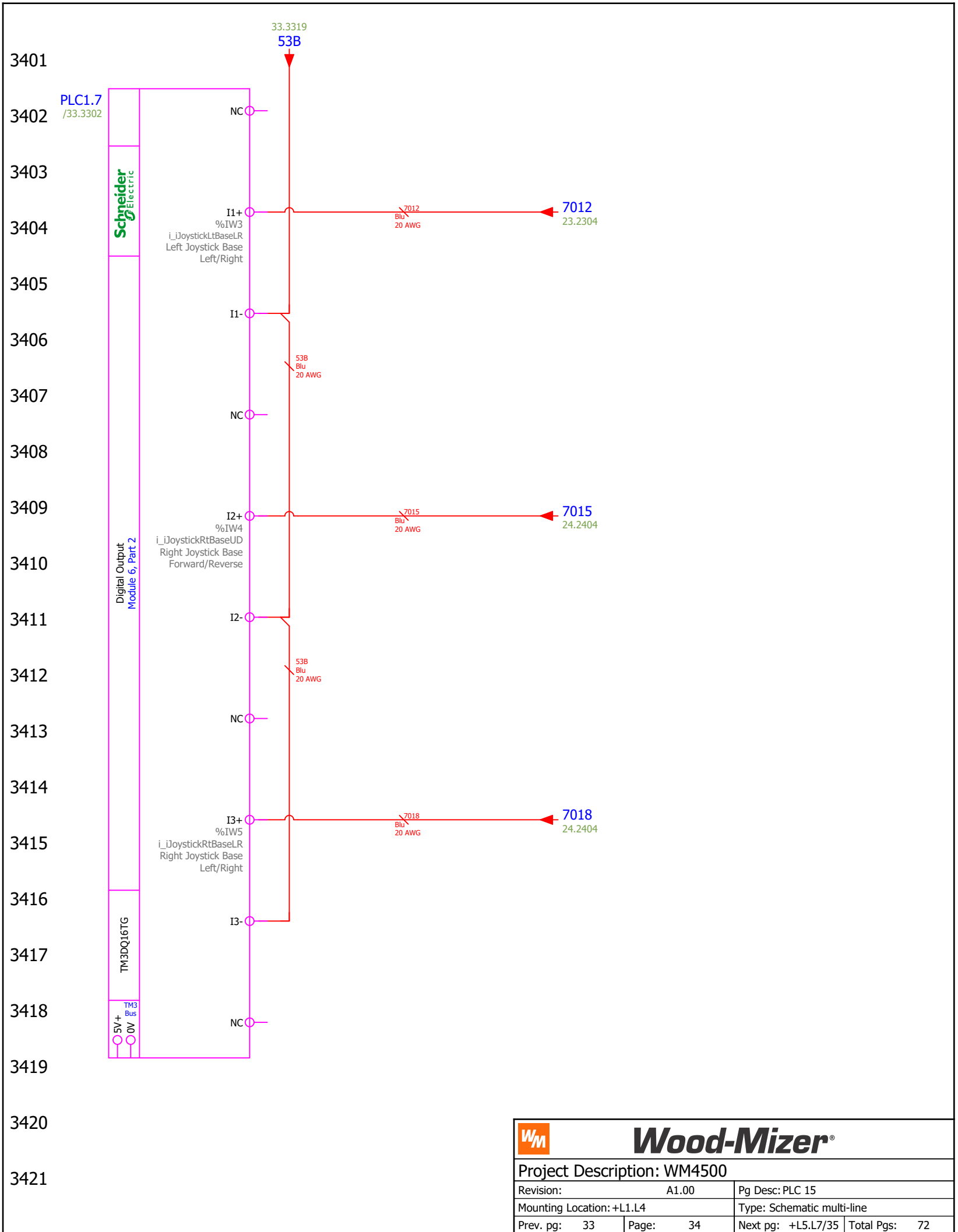
Bus 0V 33.3301

53 Bus 18 AWG 33.3304

		Wood-Mizer®	
Project Description: WM4500			
Revision:	A1.00	Pg Desc: PLC 13	
Mounting Location: +L1.L4		Type: Schematic multi-line	
Prev. pg:	31	Page:	32
Next pg:		33	Total Pgs: 72



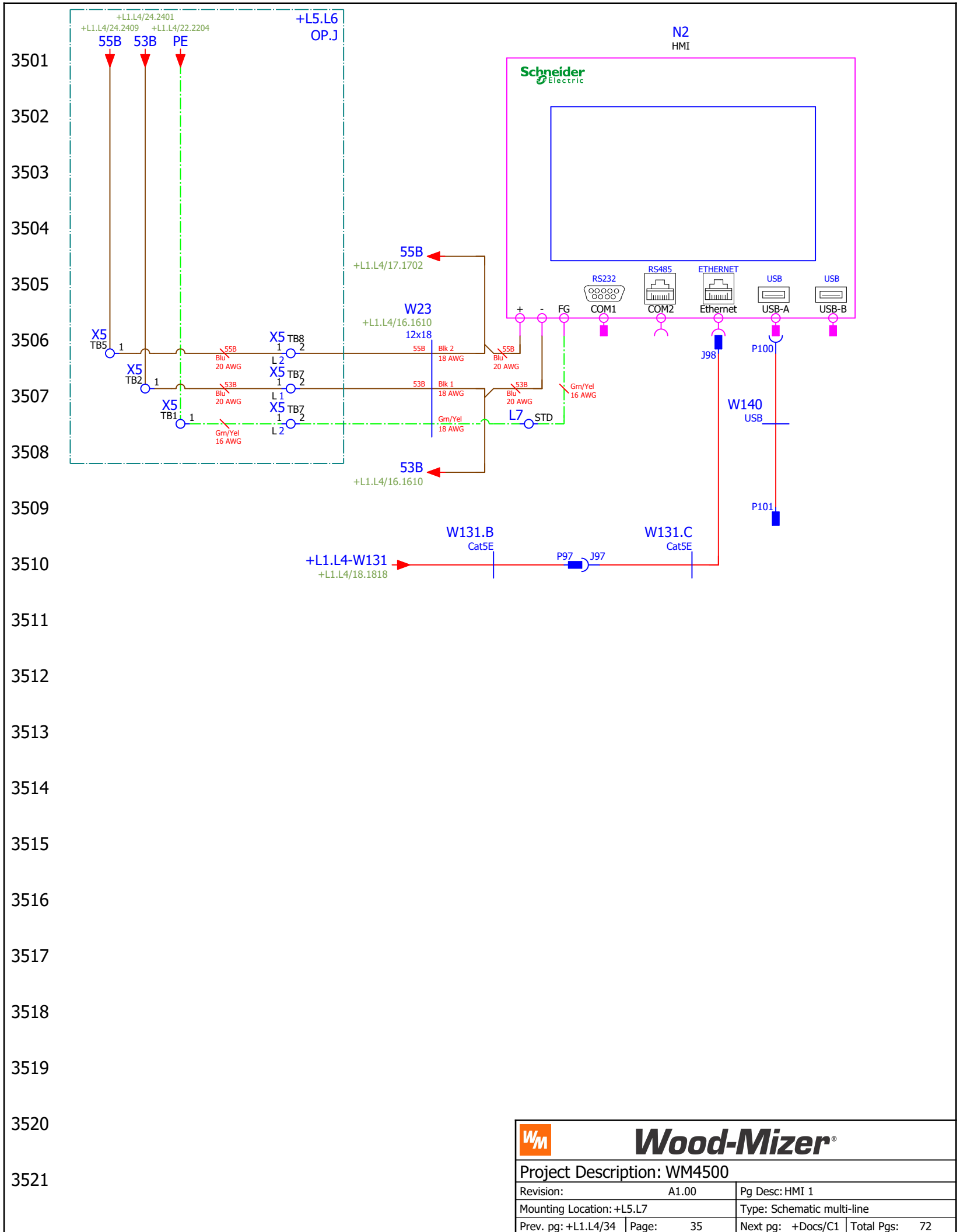
		Wood-Mizer®	
Revision:	A1.00	Pg Desc: PLC 14	
Mounting Location:	+L1.L4	Type: Schematic multi-line	
Prev. pg:	32	Page:	33
		Next pg:	34
		Total Pgs:	72



Wood-Mizer®

Project Description: WM4500

Revision:	A1.00	Pg Desc:	PLC 15
Mounting Location:	+L1.L4	Type:	Schematic multi-line
Prev. pg:	33	Page:	34
Next pg:	+L5.L7/35	Total Pgs:	72




		Wood-Mizer®	
Project Description: WM4500			
Revision:	A1.00	Pg Desc: HMI 1	
Mounting Location:	+L5.L7	Type: Schematic multi-line	
Prev. pg:	+L1.L4/34	Page:	35
Next pg:	+Docs/C1	Total Pgs:	72

Device Tag/Parts List

WM_PARTS_LIST-Manual


Device tag	Function	Wood-Mizer Part Number	Wood-Mizer Description	Qty.	X-Ref
1M1	Blade Motor Bypass Contactor	052465	Contactora, 32A 3P 24VDC Coil	1	+L1.L4/15.1503
2M1	Hydraulic Pump Motor Contactor	069866	Contactora, 25A 3P 24V Low Pwr Coil	1	+L1.L4/25.2506
4M1	Debarker Motor Contactor	024890	Contactora, 9A 3P 24VDC Coil	1	+L1.L4/25.2507
CAN1	CANopen Junction Box	069930	PLC Module, CANopen Junction	1	+L1.L4/18.1803
E1	Ethernet Switch	078466	Switch, Ethernet 5 Port 24VDC	1	+L1.L4/18.1815
ENC1	Feed Position Absolute Encoder	068046	Encoder Assy, Ind. Mill Feed	1	+L1.L4/18.1811
F4	Transformer L1&L3 Fuses	068066	Fuse Holder, 2P Class CC Wire Clamps	1	+L1.L3/3.306
F4	=	069915	Fuse, 0.25A 600V KLDR Class CC	2	+L1.L3/3.306
F5	Transformer Output Fuse	068065	Fuse Holder, 1P Class CC Wire Clamps	1	+L1.L3/3.308
F5	=	069915	Fuse, 0.25A 600V KLDR Class CC	1	+L1.L3/3.308
F6	Feed Drive L1 Fuse	053717	Fuseholder, 60A Cube	1	+L1.L3/2.208
F6	=	069702	Fuse, 40A Class J Cube	1	+L1.L3/2.208
F7	Feed Drive L2 Fuse	053717	Fuseholder, 60A Cube	1	+L1.L3/2.209
F7	=	069702	Fuse, 40A Class J Cube	1	+L1.L3/2.209
F8	Feed Drive L3 Fuse	053717	Fuseholder, 60A Cube	1	+L1.L3/2.209
F8	=	069702	Fuse, 40A Class J Cube	1	+L1.L3/2.209
F9	Power Supply 1 L1&L3 Fuses	068066	Fuse Holder, 2P Class CC Wire Clamps	1	+L1.L3/3.311
F9	=	052381	Fuse, 8A 600V Class CC Delay	2	+L1.L3/3.311
F10	Power Supply 2 L1&L3 Fuses	068066	Fuse Holder, 2P Class CC Wire Clamps	1	+L1.L3/3.316
F10	=	052713	Fuse, 4A 600V Class CC Delay	2	+L1.L3/3.316
F11	Hydraulic Pump Motor L1 Fuse	053736	Fuseholder, Cube 30A	1	+L1.L3/2.202
F11	=	053737	Fuse, 30A Class J Cube	1	+L1.L3/2.202
F12	Hydraulic Pump Motor L2 Fuse	053736	Fuseholder, Cube 30A	1	+L1.L3/2.203
F12	=	053737	Fuse, 30A Class J Cube	1	+L1.L3/2.203
F13	Hydraulic Pump Motor L3 Fuse	053736	Fuseholder, Cube 30A	1	+L1.L3/2.203
F13	=	053737	Fuse, 30A Class J Cube	1	+L1.L3/2.203
F14	Up/Down Servo Drive L1 Fuse	053736	Fuseholder, Cube 30A	1	+L1.L3/2.216
F14	=	053737	Fuse, 30A Class J Cube	1	+L1.L3/2.216
F15	Up/Down Servo Drive L2 Fuse	053736	Fuseholder, Cube 30A	1	+L1.L3/2.217
F15	=	053737	Fuse, 30A Class J Cube	1	+L1.L3/2.217
F16	Up/Down Servo Drive L3 Fuse	053736	Fuseholder, Cube 30A	1	+L1.L3/2.218
F16	=	053737	Fuse, 30A Class J Cube	1	+L1.L3/2.218
F17	Blade Motor L1 Fuse	053586	Fuseholder, 100A Cube	1	+L1.L3/1.117
F17	=	069708	Fuse, 60A Class J Cube	1	+L1.L3/1.117
F18	Blade Motor L2 Fuse	053586	Fuseholder, 100A Cube	1	+L1.L3/1.116
F18	=	069708	Fuse, 60A Class J Cube	1	+L1.L3/1.116
F19	Blade Motor L3 Fuse	053586	Fuseholder, 100A Cube	1	+L1.L3/1.116
F19	=	069708	Fuse, 60A Class J Cube	1	+L1.L3/1.116
G1	DC Motor/ Solenoids Power Supply	078012	Power Supply, 24VDC 20A 200-500V	1	+L1.L3/3.310
G2	Control Power Supply	078193	Power Supply, 24VDC 10A 200-500V	1	+L1.L3/3.315
HM1	Blade Motor Hour Meter	P09631	Meter, Hour	1	+L1.L4/15.1507
JS1	Left Joystick	078360	Joystick, 4-Button w/4-Way Switch	1	+L1.L4/23.2302
JS2	Right Joystick	078360	Joystick, 4-Button w/4-Way Switch	1	+L1.L4/24.2402
K1	Isolation Contactor	069886	Contactora, 115A 3P 24VDC Coil	1	+L1.L4/15.1502
K2	Aux. E-Stop Control	101241	Contactora, 9A 3P 24VDC 1NO	1	+L1.L4/17.1702
K4	Blade Guide In Contactor	024910	Contactora, 9A 2NC 2NO 24VDC Reversing	1	+L1.L4/25.2509
K5	Blade Guide Out Contactor	024910	Contactora, 9A 2NC 2NO 24VDC Reversing	1	+L1.L4/25.2511
K6	Lube Pump Motor Relay	069943	Relay, Solid State 8A DIN	1	+L1.L4/25.2513
K16	Blade Brake Solenoid Relay	068212	Relay, Solid State 2A 24VDC Coil Cage Clamp Base	1	+L1.L4/25.2515
K17	Blow Off Solenoid Relay	068212	Relay, Solid State 2A 24VDC Coil Cage Clamp Base	1	+L1.L4/26.2602
K18	Debarker In Solenoid Relay	068212	Relay, Solid State 2A 24VDC Coil Cage Clamp Base	1	+L1.L4/26.2604
K19	Laser Relay	068212	Relay, Solid State 2A 24VDC Coil Cage Clamp Base	1	+L1.L4/26.2606
K20	Drag Back Finders Up Solenoid Relay	068212	Relay, Solid State 2A 24VDC Coil Cage Clamp Base	1	+L1.L4/30.3009
K24	Clamp In Solenoid Relay	068212	Relay, Solid State 2A 24VDC Coil Cage Clamp Base	1	+L1.L4/26.2607
K25	Clamp Out Solenoid Relay	068212	Relay, Solid State 2A 24VDC Coil Cage Clamp Base	1	+L1.L4/26.2609
K26	Turner Up Solenoid Relay	068212	Relay, Solid State 2A 24VDC Coil Cage Clamp Base	1	+L1.L4/26.2611
K27	Turner Down Solenoid Relay	068212	Relay, Solid State 2A 24VDC Coil Cage Clamp Base	1	+L1.L4/26.2613

		Wood-Mizer®	
Project Description: WM4500			
Revision:	A1.00	Pg Desc: Parts list	
Mounting Location: +Docs		Type: Parts list	
Prev. pg: +L5.L7/35	Page: C1	Next pg: C2	Total Pgs: 72

Device Tag/Parts List

WM_PARTS_LIST-Manual


Device tag	Function	Wood-Mizer Part Number	Wood-Mizer Description	Qty.	X-Ref
K28	Clamp Up Solenoid Relay	068212	Relay, Solid State 2A 24VDC Coil Cage Clamp Base	1	+L1.L4/26.2615
K29	Clamp Down Solenoid Relay	068212	Relay, Solid State 2A 24VDC Coil Cage Clamp Base	1	+L1.L4/27.2702
K30	Toe #1 Up Solenoid Relay	068212	Relay, Solid State 2A 24VDC Coil Cage Clamp Base	1	+L1.L4/27.2704
K31	Toe #1 Down Solenoid Relay	068212	Relay, Solid State 2A 24VDC Coil Cage Clamp Base	1	+L1.L4/27.2706
K32	Power Roller Tape Fwd Solenoid Relay	068212	Relay, Solid State 2A 24VDC Coil Cage Clamp Base	1	+L1.L4/27.2707
K33	Power Taper Roller Rev Solenoid Relay	068212	Relay, Solid State 2A 24VDC Coil Cage Clamp Base	1	+L1.L4/27.2709
K34	Toe #2 Up Solenoid Relay	068212	Relay, Solid State 2A 24VDC Coil Cage Clamp Base	1	+L1.L4/27.2711
K35	Toe #2 Down Solenoid Relay	068212	Relay, Solid State 2A 24VDC Coil Cage Clamp Base	1	+L1.L4/27.2713
K36	Toe #3 Up Solenoid Relay	068212	Relay, Solid State 2A 24VDC Coil Cage Clamp Base	1	+L1.L4/27.2715
K37	Toe#3 Down Solenoid Relay	068212	Relay, Solid State 2A 24VDC Coil Cage Clamp Base	1	+L1.L4/28.2802
K38	Side Supports Up Solenoid Relay	068212	Relay, Solid State 2A 24VDC Coil Cage Clamp Base	1	+L1.L4/28.2804
K39	Side Supports Down Solenoid Relay	068212	Relay, Solid State 2A 24VDC Coil Cage Clamp Base	1	+L1.L4/28.2806
K40	Conveyor Motor Solenoid Relay	068212	Relay, Solid State 2A 24VDC Coil Cage Clamp Base	1	+L1.L4/28.2807
K41	Turner Forward Solenoid Relay	068212	Relay, Solid State 2A 24VDC Coil Cage Clamp Base	1	+L1.L4/28.2809
K42	Turner Reverse Solenoid Relay	068212	Relay, Solid State 2A 24VDC Coil Cage Clamp Base	1	+L1.L4/28.2811
K43	Loader Up Solenoid Relay	068212	Relay, Solid State 2A 24VDC Coil Cage Clamp Base	1	+L1.L4/28.2813
K44	Loader Down Solenoid Relay	068212	Relay, Solid State 2A 24VDC Coil Cage Clamp Base	1	+L1.L4/28.2815
K45	Log Deck Forward Solenoid Relay	068212	Relay, Solid State 2A 24VDC Coil Cage Clamp Base	1	+L1.L4/29.2902
K46	Log Deck Reverse Solenoid Relay	068212	Relay, Solid State 2A 24VDC Coil Cage Clamp Base	1	+L1.L4/29.2904
K47	Dump Valve Solenoid Relay	068212	Relay, Solid State 2A 24VDC Coil Cage Clamp Base	1	+L1.L4/29.2906
K100	Bed Extension Diverter/ Blocking Sol. Rly	068212	Relay, Solid State 2A 24VDC Coil Cage Clamp Base	1	+L1.L4/29.2907
K101	Bed Ext Turner Fwd/ Rev Diverter Relay	068212	Relay, Solid State 2A 24VDC Coil Cage Clamp Base	1	+L1.L4/11.1113
K102	Bed Ext Turner Fwd/ Rev Blocking Relay	068212	Relay, Solid State 2A 24VDC Coil Cage Clamp Base	1	+L1.L4/11.1114
K103	Bed Ext Side Support Up/Dn Diverter Rly	068212	Relay, Solid State 2A 24VDC Coil Cage Clamp Base	1	+L1.L4/11.1116
K104	Bed Ext Side Support Up/Dn Blocking Rly	068212	Relay, Solid State 2A 24VDC Coil Cage Clamp Base	1	+L1.L4/11.1117
K105	Bed Ext Turner Up/Dn Diverter Relay	068212	Relay, Solid State 2A 24VDC Coil Cage Clamp Base	1	+L1.L4/12.1202
K106	Bed Ext Pwr Taper Fwd/Rev Diverter Rly	068212	Relay, Solid State 2A 24VDC Coil Cage Clamp Base	1	+L1.L4/12.1203
K107	Bed Ext Pwr Taper Fwd/Rev Blocking Rly	068212	Relay, Solid State 2A 24VDC Coil Cage Clamp Base	1	+L1.L4/12.1205
K108	Bed Ext Loader Up/Dn Diverter Relay	068212	Relay, Solid State 2A 24VDC Coil Cage Clamp Base	1	+L1.L4/12.1206
K109	Bed Ext Loader Up/Dn Blocking Relay	068212	Relay, Solid State 2A 24VDC Coil Cage Clamp Base	1	+L1.L4/12.1208
K110	Bed Ext Log Deck Fwd/Rev Diverter Rly	068212	Relay, Solid State 2A 24VDC Coil Cage Clamp Base	1	+L1.L4/12.1209
K111	Bed Ext Log Deck Fwd/Rev Blocking Rly	068212	Relay, Solid State 2A 24VDC Coil Cage Clamp Base	1	+L1.L4/12.1211
K150	Bed Extension Toe #4 Up Solenoid Relay	068212	Relay, Solid State 2A 24VDC Coil Cage Clamp Base	1	+L1.L4/29.2909
K151	Bed Extension Toe #4 Down Solenoid Rly	068212	Relay, Solid State 2A 24VDC Coil Cage Clamp Base	1	+L1.L4/29.2911
K152	Bed Extension Clamp Up Solenoid Relay	068212	Relay, Solid State 2A 24VDC Coil Cage Clamp Base	1	+L1.L4/29.2913
K153	Bed Extension Clamp Down Solenoid Rly	068212	Relay, Solid State 2A 24VDC Coil Cage Clamp Base	1	+L1.L4/29.2915
K154	Bed Extension Clamp In Solenoid Relay	068212	Relay, Solid State 2A 24VDC Coil Cage Clamp Base	1	+L1.L4/30.3002
K155	Bed Extension Clamp Out Solenoid Relay	068212	Relay, Solid State 2A 24VDC Coil Cage Clamp Base	1	+L1.L4/30.3004
LAS1	Laser	068035	Laser, 5mW 532nm 90 Deg Line Z-Laser Grn	1	+L1.L4/8.813
M1	Blade Motor	042301	Motor, 30HP 1800RPM	1	+L1.L3/1.115
M2	Hydraulic Pump Motor	078670	Motor, 15HP 230/460 3PH 60Hz	1	+L1.L3/2.202
M3	Feed Motor	115152	Motor, 5HP 3P 230/460 184TC	1	+L1.L3/2.208
M4	Up/Down Servo Motor	068038	Motor, Servo 100mm IP54 Encoder	1	+L1.L3/2.213
M5	Debarker Motor	050292	Motor, 3/4HP 230/460 3P 1725RPM DB LT60	1	+L1.L3/3.302
M6	Blade Guide Motor	035659	Motor Assy, 24V 60 RPM Gear	1	+L1.L4/7.716
MCR1	Master Control Relay	051322	Contact, 25A 3P 24VDC Coil	1	+L1.L4/16.1616
N2	HMI	078794	HMI Assy, Ind. Mill	1	+L5.L7/35.3501
N3	Hydraulic Pwr Unit Proportional Valve Ctrl	068277	Driver Assy, Prop Valve 8 Pin A2.00+	1	+L1.L4/33.3306
OL2	Hydraulic Pump Motor Overload	069885	Overload, 16-24A Class 10 Single Ph Sens	1	+L1.L3/2.202
PB1	E-Stop	068940	Pushbutton Head, 22mm E-Stop Twist-Pull	1	+L1.L4/16.1610
PB1	=	068950	Collar, Mount 1NC ZB5	1	+L1.L4/16.1610
PB1	=	068921	Contact Block, NC ZB5	1	+L1.L4/16.1610
PB2	Blade Brake Manual Override Push-Button	068950	Collar, Mount 1NC ZB5	1	+L1.L4/8.807
PB2	=	068920	Contact Block, NO ZB5	1	+L1.L4/8.807
PBL1	Control Power On PB	068952	Collar, Mount 1NO ZB5	1	+L1.L4/16.1610
PBL1	=	052503	Switch Head, PB Green Flush Illum ZB5	1	+L1.L4/16.1610
PBL1	=	068910	Light Module, Green ZB5	1	+L1.L4/16.1610

		Wood-Mizer®	
Project Description: WM4500			
Revision:	A1.00	Pg Desc: Parts list	
Mounting Location:	+Docs	Type: Parts list	
Prev. pg:	C1	Page:	C2
		Next pg:	C3
		Total Pgs:	72

Device Tag/Parts List

WM_PARTS_LIST-Manual

Device tag	Function	Wood-Mizer Part Number	Wood-Mizer Description	Qty.	X-Ref
PL1	Head Mode Indicator	068912	Light Module, White ZB5	1	+L1.L4/25.2502
PL1	=	068931	Pilot Light, Yellow ZB5	1	+L1.L4/25.2502
PL1	=	068951	Switch Collar, Mount ZB5	1	+L1.L4/25.2502
PL2	Bed Mode Indicator	068912	Light Module, White ZB5	1	+L1.L4/25.2504
PL2	=	068931	Pilot Light, Yellow ZB5	1	+L1.L4/25.2504
PL2	=	068951	Switch Collar, Mount ZB5	1	+L1.L4/25.2504
PLC1	PLC	078783	PLC Assy, Ind. Mill M251	1	+L1.L4/20.2001
PLC1	=	078782	PLC Assy, Ind. Mill CPU	1	+L1.L4/20.2001
PLC1.1	Digital Input	078491	Input Module, Spring Clamp 16Pt Digital	1	+L1.L4/21.2102
PLC1.2	=	078491	Input Module, Spring Clamp 16Pt Digital	1	+L1.L4/23.2302
PLC1.3	Digital Output	078492	Output Module, TM3 16Pt. Transistor	1	+L1.L4/25.2502
PLC1.4	=	078492	Output Module, TM3 16Pt. Transistor	1	+L1.L4/27.2702
PLC1.5	=	078492	Output Module, TM3 16Pt. Transistor	1	+L1.L4/29.2902
PLC1.6	=	078492	Output Module, TM3 16Pt. Transistor	1	+L1.L4/31.3102
PLC1.7	Analog I/O	078648	Analog Module, TM3 4I/2O	1	+L1.L4/33.3302
PRX1	Blade Broken Prox	051439	Sensor, Ind Prox M12 PNP NS Ex	1	+L1.L4/22.2210
PRX2	Ball Nut Prox	051439	Sensor, Ind Prox M12 PNP NS Ex	1	+L1.L4/22.2213
PS1	Blade Tension Pressure Switch	045207	Switch, Limit Pressure 60 PSI	1	+L1.L4/22.2206
PS2	Blade Brake Released Pressure Switch	045207	Switch, Limit Pressure 60 PSI	1	+L1.L4/22.2207
Q1	Main Disconnect	078506	Disconnect, 200A 3Ph Non-Fused	1	+L1.L3/1.101
Q2	Blade Guide Motor Breaker	051915	Breaker, 3A 1P MG24502	1	+L1.L4/7.708
Q3	Lube Pump Motor Breaker	051915	Breaker, 3A 1P MG24502	1	+L1.L4/8.802
Q4	Debarker Motor	068097	Motor Protector, 1.0-1.6 Manual	1	+L1.L3/3.302
Q4	=	068199	Motor Protector, Aux Contacts 1NO 1NC	1	+L1.L3/3.302
Q4	=	068098	Motor Protector, Line Side Barrier	1	+L1.L3/3.302
Q4	=	068099	Motor Protector, Interconnect LC1D09-25	1	+L1.L3/3.302
R1	Feed Drive Braking Resistor	078784	Resistor Assy, Ind. Mill Feed	1	+L1.L3/2.206
R2	Up/Down Drive Bracking Resistor	068161	Resistor Assy, Ind. Mill Up/Dn	1	+L1.L3/2.212
SD1	Up/Down Drive Control	078781	Drive Assy, Ind. Mill Up/Down	1	+L1.L3/2.211
SS2	Key Switch	068950	Collar, Mount 1NC ZB5	1	+L1.L4/21.2104
SS2	=	068920	Contact Block, NO ZB5	1	+L1.L4/21.2104
SS2	=	068941	Switch, Key 3Pos Mom R-C	1	+L1.L4/21.2104
SSD1	Blade Motor Soft Start	069933	Drive Assy, Ind. Mill Blade	1	+L1.L3/1.112
SW1	Seat Switch	069737	Switch, Seat 2 NO Contacts	1	+L1.L4/16.1605
SW2	Auto-Cut Foot Switch	052789	Switch, Foot Single Lever IP68	1	+L1.L4/22.2202
SW3	Secondary Side Supports Foot Switch	052789	Switch, Foot Single Lever IP68	1	+L1.L4/14.1413
T1	Soft-Start Control Transformer	069909	Transformer, 0.05kVA 240x480P 120/240S	1	+L1.L3/3.306
VFD1	Feed Drive Power	078780	Drive Assy, Ind. Mill Feed	1	+L1.L3/2.205
X1.1	1L1 Distribution Block	069908	Distribution Block, 1P 1in 4out 175A DIN	1	+L1.L3/3.305
X1.2	1L3 Distribution Block	069908	Distribution Block, 1P 1in 4out 175A DIN	1	+L1.L3/3.305
X1.3	2L1 Distribution Block	069801	Distribution Block, 1P 1in 6out 380A DIN	1	+L1.L3/1.107
X1.4	2L2 Distribution Block	069801	Distribution Block, 1P 1in 6out 380A DIN	1	+L1.L3/1.107
X1.5	2L3 Distribution Block	069801	Distribution Block, 1P 1in 6out 380A DIN	1	+L1.L3/1.107
X1.6	1L1 Distribution Block	069872	Distribution Block, 1P 2in 2out 620A DIN	1	+L1.L3/1.101
X1.7	1L3 Distribution Block	069872	Distribution Block, 1P 2in 2out 620A DIN	1	+L1.L3/1.103
X3.1	Ground Distribution Block	025203	Bar, Grounding 14 Circuit W/Lug	1	+L1.L3/1.107
Y50	Lube Solenoid	051432	Valve, Solenoid 1/4 NPT Water NC 2 Way	1	+L1.L4/8.802


 Wood-Mizer®	
Project Description: WM4500	
Revision: A1.00	Pg Desc: Parts list
Mounting Location: +Docs	Type: Parts list
Prev. pg: C2	Page: C3
Next pg: D1	Total Pgs: 72

Terminal line-up diagram

Wood-Mizer_Terminal_Lineup_Diagram

Terminal strip +L1.L3-X2


Terminal				Jumper		End Plate	Remark	Terminal X-Ref
Ref. Des.	Level	P/N	Description	Diagram	P/N	P/N		
TB1		068106	Terminal Block, 2Pos 4mm Clamp	┆				+.L4/21.09
TB2		068106	Terminal Block, 2Pos 4mm Clamp	┆		068108		+.L4/21.09
TB3		068106	Terminal Block, 2Pos 4mm Clamp	●				+.L4/21.11
TB4		068106	Terminal Block, 2Pos 4mm Clamp	●		068108		+.L4/21.11

		Wood-Mizer®	
Project Description: WM4500			
Revision:	A1.00	Pg Desc: Terminal line-up diagram	
Mounting Location: +Docs		Type: Terminal line-up diagram	
Prev. pg:	C3	Page:	D1
Next pg:	D2	Total Pgs:	72

Terminal line-up diagram

Wood-Mizer_Terminal_Lineup_Diagram


Terminal strip +L1.L4-X4								
Terminal				Jumper		End Plate	Remark	Terminal X-Ref
Ref. Des.	Level	P/N	Description	Diagram	P/N	P/N		
TB1		068104	Terminal Block, 4Pos 1.5mm GND Clamp					+L3/1.05
TB2		068104	Terminal Block, 4Pos 1.5mm GND Clamp			068105		+L3/1.05
TB3		068103	Terminal Block, 4Pos 1.5mm Com Clamp	●	068113		Jumper is Trimmed Down To 2 Position Jumper Between TB3-4	+L3/3.12
TB4		068103	Terminal Block, 4Pos 1.5mm Com Clamp	●		068105		/12.12
TB5		068103	Terminal Block, 4Pos 1.5mm Com Clamp			068105		+L3/3.11
TB6		068103	Terminal Block, 4Pos 1.5mm Com Clamp	●	068113		Jumper is Trimmed Down To 2 Position Jumper Between TB6-7	/7.06
TB7		068103	Terminal Block, 4Pos 1.5mm Com Clamp	●		068105		/15.02
TB8		068103	Terminal Block, 4Pos 1.5mm Com Clamp	●	068113		Jumper is Trimmed Down To 8 Position Between TB8-15	+L3/3.17
TB9		068103	Terminal Block, 4Pos 1.5mm Com Clamp	●				/25.15
TB10		068103	Terminal Block, 4Pos 1.5mm Com Clamp	●				/29.06
TB11		068103	Terminal Block, 4Pos 1.5mm Com Clamp	●				/15.07
TB12		068103	Terminal Block, 4Pos 1.5mm Com Clamp	●				+L3/6.06
TB13		068103	Terminal Block, 4Pos 1.5mm Com Clamp	●				/25.06
TB14		068103	Terminal Block, 4Pos 1.5mm Com Clamp	●				/7
TB15		068103	Terminal Block, 4Pos 1.5mm Com Clamp	●		068105		/7
TB16		068103	Terminal Block, 4Pos 1.5mm Com Clamp	●	068113		Jumper is Trimmed Down To 4 Position Between TB16-19	+L3/3.16
TB17		068103	Terminal Block, 4Pos 1.5mm Com Clamp	●				/7.03
TB18		068103	Terminal Block, 4Pos 1.5mm Com Clamp	●				/20.02
TB19		068103	Terminal Block, 4Pos 1.5mm Com Clamp	●		068105		+L3/6.05
TB20		068103	Terminal Block, 4Pos 1.5mm Com Clamp			068105		+L3/6.02

		Wood-Mizer®	
Project Description: WM4500			
Revision:	A1.00	Pg Desc: Terminal line-up diagram	
Mounting Location: +Docs		Type: Terminal line-up diagram	
Prev. pg:	D1	Page:	D2
Next pg:	D3	Total Pgs: 72	

Terminal line-up diagram

Wood-Mizer_Terminal_Lineup_Diagram


Terminal strip +L5.L6-X5								
Terminal				Jumper		End Plate	Remark	Terminal X-Ref
Ref. Des.	Level	P/N	Description	Diagram	P/N	P/N		
TB1		068104	Terminal Block, 4Pos 1.5mm GND Clamp	⋮		068105		+L7/35.08
TB2		068103	Terminal Block, 4Pos 1.5mm Com Clamp	●	068113		Jumper is Trimmed Down To 2 Position Between TB2-3	+L7/35.07
TB3		068103	Terminal Block, 4Pos 1.5mm Com Clamp	●		068105		+L1.L4/14.19
TB4		068103	Terminal Block, 4Pos 1.5mm Com Clamp	●	068113		Jumper is Trimmed Down To 2 Position Between TB4-5	+L1.L4/22.02
TB5		068103	Terminal Block, 4Pos 1.5mm Com Clamp	●		068105		+L7/35.06
TB6	1	068119	Terminal Block, 2 Tier 2.5mm Clamp	⋮		068120		+L1.L4/16.05
TB6	2			⋮				+L1.L4/16.05
TB7	1	068119	Terminal Block, 2 Tier 2.5mm Clamp	⋮				+L7/35.07
TB7	2			⋮				+L7/35.08
TB8	1	068119	Terminal Block, 2 Tier 2.5mm Clamp	⋮				+L1.L4/16.07
TB8	2			⋮				+L7/35.06
TB9	1	068119	Terminal Block, 2 Tier 2.5mm Clamp	⋮				+L1.L4/16.13
TB9	2			⋮				+L1.L4/16.13
TB10	1	068119	Terminal Block, 2 Tier 2.5mm Clamp	⋮				+L1.L4/21.06
TB10	2			⋮				+L1.L4/21.04
TB11	1	068119	Terminal Block, 2 Tier 2.5mm Clamp	⋮		068120		+L1.L4/17.02
TB11	2			⋮				
TB12	1	068119	Terminal Block, 2 Tier 2.5mm Clamp	⋮				+L1.L4/23.03
TB12	2			⋮				+L1.L4/23.03
TB13	1	068119	Terminal Block, 2 Tier 2.5mm Clamp	●				+L1.L4/23.04
TB13	2			●				+L1.L4/23.04
TB14	1	068119	Terminal Block, 2 Tier 2.5mm Clamp	⋮				+L1.L4/23.06
TB14	2			⋮				+L1.L4/23.05
TB15	1	068119	Terminal Block, 2 Tier 2.5mm Clamp	⋮				+L1.L4/23.08
TB15	2			⋮				+L1.L4/23.06
TB16	1	068119	Terminal Block, 2 Tier 2.5mm Clamp	⋮				+L1.L4/23.08
TB16	2			⋮				+L1.L4/23.09
TB17	1	068119	Terminal Block, 2 Tier 2.5mm Clamp	⋮		068120		+L1.L4/23.07
TB17	2			⋮				+L1.L4/23.09
TB18	1	068119	Terminal Block, 2 Tier 2.5mm Clamp	⋮				+L1.L4/24.03
TB18	2			⋮				+L1.L4/24.03
TB19	1	068119	Terminal Block, 2 Tier 2.5mm Clamp	⋮				+L1.L4/24.04
TB19	2			⋮				+L1.L4/24.04
TB20	1	068119	Terminal Block, 2 Tier 2.5mm Clamp	⋮				+L1.L4/24.06
TB20	2			⋮				+L1.L4/24.05

		Wood-Mizer®	
Project Description: WM4500			
Revision:	A1.00	Pg Desc: Terminal line-up diagram	
Mounting Location: +Docs		Type: Terminal line-up diagram	
Prev. pg:	D2	Page:	D3
Next pg:	D4	Total Pgs: 72	

Terminal line-up diagram

Wood-Mizer_Terminal_Lineup_Diagram


Terminal strip +L5.L6-X5								
Terminal				Jumper		End Plate	Remark	Terminal X-Ref
Ref. Des.	Level	P/N	Description	Diagram	P/N	P/N		
TB21	1	068119	Terminal Block, 2 Tier 2.5mm Clamp	•				+L1.L4/24.08
TB21	2			•				+L1.L4/24.06
TB22	1	068119	Terminal Block, 2 Tier 2.5mm Clamp	•				+L1.L4/24.08
TB22	2			•				+L1.L4/24.09
TB23	1	068119	Terminal Block, 2 Tier 2.5mm Clamp	•		068120		+L1.L4/24.07
TB23	2			•				+L1.L4/24.09
TB24	1	068119	Terminal Block, 2 Tier 2.5mm Clamp	•				+L1.L4/22.02
TB24	2			•				+L1.L4/22.02
TB25	1	068119	Terminal Block, 2 Tier 2.5mm Clamp	•		068120		
TB25	2			•				+L1.L4/22.03
TB26	1	068119	Terminal Block, 2 Tier 2.5mm Clamp	•				+L1.L4/16.07
TB26	2			•				+L1.L4/16.07
TB27	1	068119	Terminal Block, 2 Tier 2.5mm Clamp	•				+L1.L4/16.07
TB27	2			•				+L1.L4/16.07
TB28	1	068119	Terminal Block, 2 Tier 2.5mm Clamp	•				+L1.L4/16.07
TB28	2			•				+L1.L4/16.07
TB29	1	068119	Terminal Block, 2 Tier 2.5mm Clamp	•		068120		+L1.L4/17.04
TB29	2			•				+L1.L4/17.03
TB30	1	068119	Terminal Block, 2 Tier 2.5mm Clamp	•		068120		+L1.L4/17
TB30	2			•				+L1.L4/17.05
TB31	1	068119	Terminal Block, 2 Tier 2.5mm Clamp	•				+L1.L4/14.19
TB31	2			•				+L1.L4/14.20
TB32	1	068119	Terminal Block, 2 Tier 2.5mm Clamp	•		068120		+L1.L4/14.18
TB32	2			•				

		Wood-Mizer®	
Project Description: WM4500			
Revision:	A1.00	Pg Desc: Terminal line-up diagram	
Mounting Location: +Docs		Type: Terminal line-up diagram	
Prev. pg:	D3	Page:	D4
Next pg:	D5	Total Pgs: 72	

Terminal line-up diagram

Wood-Mizer_Terminal_Lineup_Diagram

Terminal strip +L11.L12-X6								
Terminal				Jumper		End Plate	Remark	Terminal X-Ref
Ref. Des.	Level	P/N	Description	Diagram	P/N	P/N		
TB1		068104	Terminal Block, 4Pos 1.5mm GND Clamp	•				+L1.L3/1.08
TB2		068104	Terminal Block, 4Pos 1.5mm GND Clamp	•		068105		+L1.L4/18.12
TB3		068103	Terminal Block, 4Pos 1.5mm Com Clamp	•	068113		Jumper is Trimmed Down To 2 Position Between TB3-4	+L1.L4/8.05
TB4		068103	Terminal Block, 4Pos 1.5mm Com Clamp	•		068105		+L1.L4/8.13
TB5		068103	Terminal Block, 4Pos 1.5mm Com Clamp	•	068113		Jumper is Trimmed Down To 3 Position Between TB5-7	+L1.L4/15.09
TB6		068103	Terminal Block, 4Pos 1.5mm Com Clamp	•				+L1.L4/25.02
TB7		068103	Terminal Block, 4Pos 1.5mm Com Clamp	•		068105		+L1.L4/18.11
TB8		068103	Terminal Block, 4Pos 1.5mm Com Clamp	•	068113		Jumper is Trimmed Down To 2 Position Between TB8-9	+L1.L4/22.07
TB9		068103	Terminal Block, 4Pos 1.5mm Com Clamp	•		068105		+L1.L4/22.06
TB10	1	068119	Terminal Block, 2 Tier 2.5mm Clamp	•				+L1.L4/16.02
TB10	2			•				+L1.L4/16.02
TB11	1	068119	Terminal Block, 2 Tier 2.5mm Clamp	•				+L1.L4/16.02
TB11	2			•				+L1.L4/16.02
TB12	1	068119	Terminal Block, 2 Tier 2.5mm Clamp	•				+L1.L4/7.15
TB12	2			•				+L1.L4/7.17
TB13	1	068119	Terminal Block, 2 Tier 2.5mm Clamp	•				+L1.L4/8.09
TB13	2			•				+L1.L4/8.07
TB14	1	068119	Terminal Block, 2 Tier 2.5mm Clamp	•				
TB14	2			•				+L1.L4/8.11
TB15	1	068119	Terminal Block, 2 Tier 2.5mm Clamp	•				
TB15	2			•				+L1.L4/8.13
TB16	1	068119	Terminal Block, 2 Tier 2.5mm Clamp	•		068120		+L1.L4/22.13
TB16	2			•				+L1.L4/22.10
TB17	1	068119	Terminal Block, 2 Tier 2.5mm Clamp	•				+L1.L4/8
TB17	2			•				+L1.L4/8.16

		Wood-Mizer®	
Project Description: WM4500			
Revision:	A1.00	Pg Desc: Terminal line-up diagram	
Mounting Location: +Docs		Type: Terminal line-up diagram	
Prev. pg:	D4	Page:	D5
Next pg:	D6	Total Pgs: 72	

Terminal line-up diagram

Wood-Mizer_Terminal_Lineup_Diagram

Terminal strip +L9.L10-X7

Terminal				Jumper		End Plate	Remark	Terminal X-Ref
Ref. Des.	Level	P/N	Description	Diagram	P/N	P/N		
TB1		068104	Terminal Block, 4Pos 1.5mm GND Clamp	•				+L1.L3/1.08
TB2		068104	Terminal Block, 4Pos 1.5mm GND Clamp	•				+L1.L4/9.03
TB3		068104	Terminal Block, 4Pos 1.5mm GND Clamp	•				+L1.L4/9.07
TB4		068104	Terminal Block, 4Pos 1.5mm GND Clamp	•				+L1.L4/9.10
TB5		068104	Terminal Block, 4Pos 1.5mm GND Clamp	•		068105		+L1.L4/14.03
TB6		068103	Terminal Block, 4Pos 1.5mm Com Clamp	•	068113		Jumper is Trimmed Down To 5 Position Between TB6-10	+L1.L4/9.01
TB7		068103	Terminal Block, 4Pos 1.5mm Com Clamp	•				+L1.L4/9.02
TB8		068103	Terminal Block, 4Pos 1.5mm Com Clamp	•				+L1.L4/9.06
TB9		068103	Terminal Block, 4Pos 1.5mm Com Clamp	•				+L1.L4/9.09
TB10		068103	Terminal Block, 4Pos 1.5mm Com Clamp	•		068105		+L1.L4/11.09
TB11		068103	Terminal Block, 4Pos 1.5mm Com Clamp	•		068105		+L1.L4/15.11
TB12		068103	Terminal Block, 4Pos 1.5mm Com Clamp	•		068105		+L1.L4/15.11
TB13	1	068119	Terminal Block, 2 Tier 2.5mm Clamp	•				+L1.L4/9.02
TB13	2			•				+L1.L4/9.04
TB14	1	068119	Terminal Block, 2 Tier 2.5mm Clamp	•				+L1.L4/9.06
TB14	2			•				+L1.L4/9.08
TB15	1	068119	Terminal Block, 2 Tier 2.5mm Clamp	•				+L1.L4/9.09
TB15	2			•				+L1.L4/9.11
TB16	1	068119	Terminal Block, 2 Tier 2.5mm Clamp	•				+L1.L4/9.13
TB16	2			•				+L1.L4/9.15
TB17	1	068119	Terminal Block, 2 Tier 2.5mm Clamp	•				+L1.L4/9.16
TB17	2			•				+L1.L4/9.19
TB18	1	068119	Terminal Block, 2 Tier 2.5mm Clamp	•				+L1.L4/10.02
TB18	2			•				+L1.L4/10.04
TB19	1	068119	Terminal Block, 2 Tier 2.5mm Clamp	•				+L1.L4/10.05
TB19	2			•				+L1.L4/10.07
TB20	1	068119	Terminal Block, 2 Tier 2.5mm Clamp	•				+L1.L4/10.09
TB20	2			•				+L1.L4/10.11
TB21	1	068119	Terminal Block, 2 Tier 2.5mm Clamp	•				+L1.L4/10.12
TB21	2			•				
TB22	1	068119	Terminal Block, 2 Tier 2.5mm Clamp	•				+L1.L4/10.14
TB22	2			•				+L1.L4/10.16
TB23	1	068119	Terminal Block, 2 Tier 2.5mm Clamp	•				+L1.L4/11.02
TB23	2			•				+L1.L4/11.04
TB24	1	068119	Terminal Block, 2 Tier 2.5mm Clamp	•				+L1.L4/11.05



Wood-Mizer®


Project Description: WM4500

Revision:	A1.00	Pg Desc:	Terminal line-up diagram
Mounting Location:	+Docs	Type:	Terminal line-up diagram
Prev. pg:	D5	Page:	D6
		Next pg:	D7
		Total Pgs:	72

Terminal line-up diagram

Wood-Mizer_Terminal_Lineup_Diagram


Terminal strip +L9.L10-X7								
Terminal				Jumper		End Plate	Remark	Terminal X-Ref
Ref. Des.	Level	P/N	Description	Diagram	P/N	P/N		
TB24	2			•				+L1.L4/11.07
TB25	1	068119	Terminal Block, 2 Tier 2.5mm Clamp	•				+L1.L4/33.07
TB25	2			•				+L1.L4/33.08
TB26	1	068119	Terminal Block, 2 Tier 2.5mm Clamp	•				+L1.L4/11.09
TB26	2			•				
TB27	1	068119	Terminal Block, 2 Tier 2.5mm Clamp	•				+L1.L4/14.02
TB27	2			•				+L1.L4/14.04
TB28	1	068119	Terminal Block, 2 Tier 2.5mm Clamp	•				+L1.L4/14.05
TB28	2			•				+L1.L4/14.07
TB29	1	068119	Terminal Block, 2 Tier 2.5mm Clamp	•		068102		+L1.L4/14.09
TB29	2			•				+L1.L4/14.11

		Wood-Mizer®	
Project Description: WM4500			
Revision:	A1.00	Pg Desc: Terminal line-up diagram	
Mounting Location: +Docs		Type: Terminal line-up diagram	
Prev. pg:	D6	Page:	D7
Next pg:	D8	Total Pgs: 72	

Terminal line-up diagram

Wood-Mizer_Terminal_Lineup_Diagram

Terminal strip +L5.L14-X8								
Terminal				Jumper		End Plate	Remark	Terminal X-Ref
Ref. Des.	Level	P/N	Description	Diagram	P/N	P/N		
TB1		068104	Terminal Block, 4Pos 1.5mm GND Clamp					+L1.L3/1.08
TB2		068104	Terminal Block, 4Pos 1.5mm GND Clamp					+L1.L4/12.14
TB3		068104	Terminal Block, 4Pos 1.5mm GND Clamp					+L1.L4/12.16
TB4		068104	Terminal Block, 4Pos 1.5mm GND Clamp			068105		+L1.L4/12.18
TB5		068103	Terminal Block, 4Pos 1.5mm Com Clamp	●	068113		Jumper is Trimmed Down To 4 Position Between TB5-8	+L1.L4/11.12
TB6		068103	Terminal Block, 4Pos 1.5mm Com Clamp	●				+L1.L4/11.13
TB7		068103	Terminal Block, 4Pos 1.5mm Com Clamp	●				+L1.L4/12.13
TB8		068103	Terminal Block, 4Pos 1.5mm Com Clamp	●		068105		+L1.L4/12.15


		Wood-Mizer®	
Project Description: WM4500			
Revision:	A1.00	Pg Desc: Terminal line-up diagram	
Mounting Location: +Docs		Type: Terminal line-up diagram	
Prev. pg:	D7	Page:	D8
Next pg:	D9	Total Pgs: 72	

Terminal line-up diagram

Wood-Mizer_Terminal_Lineup_Diagram

Terminal strip +L5.L15-X9


Terminal				Jumper		End Plate	Remark	Terminal X-Ref
Ref. Des.	Level	P/N	Description	Diagram	P/N	P/N		
TB1		052293	Junction Block, 3-Position Wire Clamp	•				+L1.L4/14.15
TB2		052293-2	Junction Block, 2-Position Wire Clamp	•				+L1.L4/14.14
TB3		052293-2	Junction Block, 2-Position Wire Clamp	•				+L1.L4/14.13
TB4		052293	Junction Block, 3-Position Wire Clamp	•				+L1.L4/14.14

		Wood-Mizer®	
Project Description: WM4500			
Revision:		A1.00	Pg Desc: Terminal line-up diagram
Mounting Location: +Docs		Type: Terminal line-up diagram	
Prev. pg:	D8	Page:	D9
Next pg:	E1	Total Pgs:	72

Cable Overview

Wood-Mizer_Cable_Overview


Cable Designation	Cable Part Number	Cable Description	Cable X-Ref
W1	069958	Cable Assy, Ind. Mill Blade Motor	+L1.L3/1.118
W2	069993	Cable Assy, Ind. Mill Hydraulic Mtr	+L1.L3/2.202
W3	078441	Cable Assy, Ind. Mill Feed Motor	+L1.L3/2.208
W4	068179	Cable Assy, Ind. Mill Up/Dn Servo Mtr	+L1.L3/2.214
W5	068180	Cable Assy, Ind. Mill Up/Dn Servo Enc	+L1.L3/2.213
W6	069959	Cable Assy, Ind. Mill Debarker Motor	+L1.L3/3.302
W20	069962	Cable Assy, Ind. Mill Head Box	+L1.L4/7.708
W21	078656	Cable Assy, Ind. Mill Hydraulic Control	+L1.L4/10.1002
W22	078657	Cable Assy, Ind. Mill Operator Junction	+L1.L4/15.1514
W23	078658	Cable Assy, Ind. Mill HMI Control	+L1.L4/16.1610
W30	078659	Cable Assy, Ind. Mill Left Joystick	+L1.L4/23.2303
W31	078660	Cable Assy, Ind. Mill Right Joystick	+L1.L4/24.2403
W32	078054	Cable Assy, Ind. Mill Sec. Side Supports	+L1.L4/14.1418
W33	078053	Cable Assy, Ind. Mill Sd Spt Ft Pdl	+L1.L4/14.1413
W34	069963	Cable Assy, Ind. Mill Seat Switch	+L1.L4/16.1605
W35	078661	Cable Assy, Ind. Mill Foot Pedal	+L1.L4/22.2202
W36	078662	Cable Assy, Ind. Mill Blade Break Prox	+L1.L4/22.2210
W37	078663	Cable Assy, Ind. Mill Ball Nut Prox	+L1.L4/22.2212
W38	069988	Cable Assy, Ind. Mill Blade Guide Motor	+L1.L4/7.715
W39	068074	Cable Assy, Ind. Mill Laser	+L1.L4/8.813
W40	068048	Cable Assy, Ind. Mill Feed Encoder Pwr	+L1.L4/18.1811
W40A	068206	Connector Assy, Ind. Mill Feed Encoder	+L1.L4/18.1811
W41	078791	Cable Assy, Drag Back Solenoid	+L1.L4/8.802
W42	078665	Cable Assy, Ind. Mill Prop Valve	+L1.L4/33.3307
W61	069977	Cable Assy, Ind. Mill Bld Brk Sol.	+L1.L4/8.807
W62	069978	Cable Assy, Ind. Mill Blw Off Sol.	+L1.L4/8.809
W63	069979	Cable Assy, Ind. Mill Debarker Sol.	+L1.L4/8.811
W64	069966	Cable Assy, Ind. Mill Clamp In/Out Sol	+L1.L4/9.902
W65	069967	Cable Assy, Ind. Mill Turner Up/Dn Sol.	+L1.L4/9.906
W66	069968	Cable Assy, Ind. Mill Clamp Up/Dn Sol.	+L1.L4/9.909
W67	069969	Cable Assy, Ind. Mill Toe #1 Up/Dn Sol.	+L1.L4/9.913
W68	069970	Cable Assy, Ind. Mill Pwr Tpr Fwd/Rv Sol.	+L1.L4/9.916
W69	069971	Cable Assy, Ind. Mill Toe #2 Up/Dn Sol.	+L1.L4/10.1002
W70	069972	Cable Assy, Ind. Mill Toe #3 Up/Dn Sol.	+L1.L4/10.1005
W71	069973	Cable Assy, Ind. Mill Sd Sup Up/Dn Sol.	+L1.L4/10.1009

		Wood-Mizer®	
Project Description: WM4500			
Revision:	A1.00	Pg Desc: Cable overview	
Mounting Location: +Docs		Type: Cable overview	
Prev. pg:	D9	Page:	E1
		Next pg:	E2
			Total Pgs: 72

Cable Overview

Wood-Mizer_Cable_Overview

Cable Designation	Cable Part Number	Cable Description	Cable X-Ref
W72	068189	Cable Assy, Ind. Mill Conveyor Sol.	+L1.L4/10.1012
W73	069974	Cable Assy, Ind. Mill Pwr Tpr Fwd/Rv Sol.	+L1.L4/10.1014
W74	069975	Cable Assy, Ind. Mill Loader Up/Dn Sol.	+L1.L4/11.1102
W75	069976	Cable Assy, Ind. Mill Log Deck Fwd/Rev S	+L1.L4/11.1105
W76	068281	Cable Assy, Ind. Mill DumpValve	+L1.L4/11.1109
W77	069978	Cable Assy, Ind. Mill Blw Off Sol.	+L1.L4/8.816
W90	078055	Cable Assy, Ind. Mill Sec Sd Spt Sol	+L1.L4/14.1413
W100	069937	Cable Assy, Ind. Mill CANopen PLC	+L1.L4/20.2011
W101	069873	Cable Assy, Ind. Mill CANopen Feed Drive	+L1.L4/18.1802
W102	069874	Cable Assy, Ind. Mill CANopen Up/Dn Driv	+L1.L4/18.1802
W103.A	068029	Connector Assy, Ind. Mill CANopen Main	+L1.L4/18.1808
W103.B	068283	Cable Assy, Ind. Mill Encoder CAN	+L1.L4/18.1808
W120	069923	Cable Assy, Ind. Mill Modbus Soft Start	+L1.L4/20.2006
W130	068162	Cable Assy, Ind. Mill Ethernet PLC	+L1.L4/20.2008
W131.A	069888	Cable Assy, Ind. Mill Ethernet Main Inte	+L1.L4/18.1818
W131.B	069997	Cable Assy, Ind. Mill HMI Ethernet	+L5.L7/35.3510
W131.C	069986	Cable Assy, Ind. Mill Ethernet HMI Int	+L5.L7/35.3510
W140	068178	Receptacle, Panel Mount USB	+L5.L7/35.3508
W150	068291	Cable Assy, Ind. Mill BedX Toe Brd U/D	+L1.L4/14.1402
W151	068292	Cable Assy, Ind. Mill BedX Clamp U/D	+L1.L4/14.1405
W152	068293	Cable Assy, Ind. Mill BedX Clamp In/Out	+L1.L4/14.1409
W1000	068247	Cable Assy, Ind. Mill Hyd. Bed Ex	+L1.L4/11.1112
W1001	068248	Cable Assy, Ind. Mill BX Trn FR Div	+L1.L4/12.1213
W1002	068249	Cable Assy, Ind. Mill BX Trn FR Blk	+L1.L4/12.1215
W1003	068274	Cable Assy, Ind. Mill BX SS UD Div	+L1.L4/12.1217
W1004	068275	Cable Assy, Ind. Mill BX SS UD Blk	+L1.L4/13.1302
W1005	068276	Cable Assy, Ind. Mill BX Trn UD Div	+L1.L4/13.1304
W1006	068277	Cable Assy, Ind. Mill BX PT FR Div	+L1.L4/13.1306
W1007	068278	Cable Assy, Ind. Mill BX PT FR Blk	+L1.L4/13.1308
W1008	068280	Cable Assy, Ind. Mill BX LD UD Div	+L1.L4/13.1310
W1009	068288	Cable Assy, Ind. Mill BX LD UD Blk	+L1.L4/13.1312
W1010	068289	Cable Assy, Ind. Mill BX LD FR Div	+L1.L4/13.1314
W1011	068290	Cable Assy, Ind. Mill BX LD FR Blk	+L1.L4/13.1316
Z1	078785	Harness Assy, Ind. Mill Disconnect	+L1.L3/1.101
Z3	069935	Harness Assy, Ind. Mill Transformer	+L1.L3/3.306

		Wood-Mizer®	
Project Description: WM4500			
Revision:	A1.00	Pg Desc: Cable overview	
Mounting Location: +Docs		Type: Cable overview	
Prev. pg:	E1	Page:	E2
Next pg:	F1	Total Pgs:	72

E:\AWMV\WM4500\Schematics\078770_schematics_1_img_1.png

LI.L2

E:\AWMV\WM4500\Schematics\078770_schematics_1_img_2.png

LI.L4 LI.L3

HMI

TI

Z3 Z1

R1 R2

E:\AWMV\WM4500\Schematics\078770_schematics_1_img_3.png

J96
W131

J10
W20

J12
W21

J13
W22

J29
W41

W6

W3

W2

W5
W4

W1

J66
W103

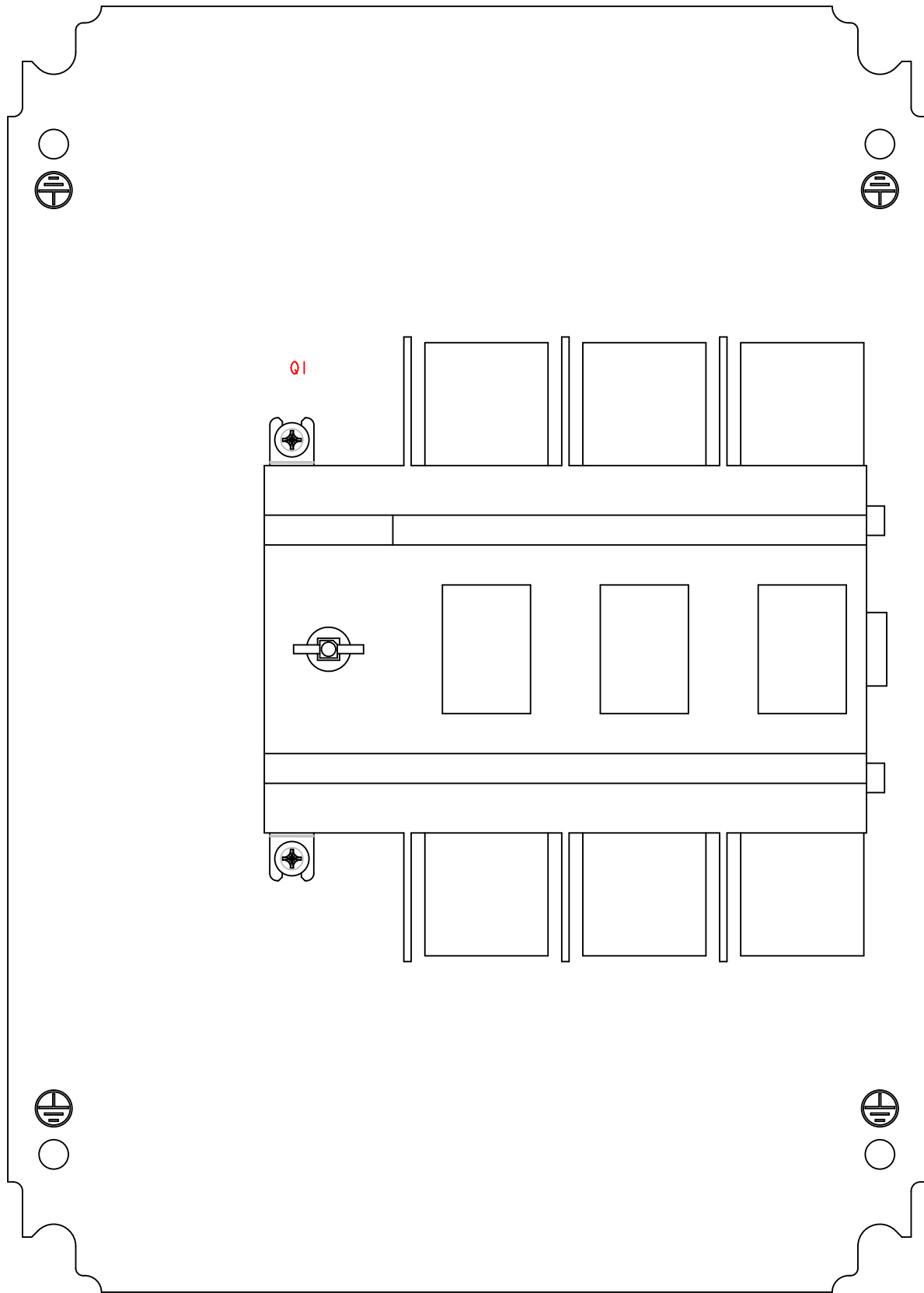
J14
W24



Wood-Mizer®

Project Description: WM4500

Revision:	A1.00	Pg Desc: Main Control Layout
Mounting Location: +Docs	Type: Panel layout	
Prev. pg: E2	Page: F1	Next pg: F2
		Total Pgs: 72



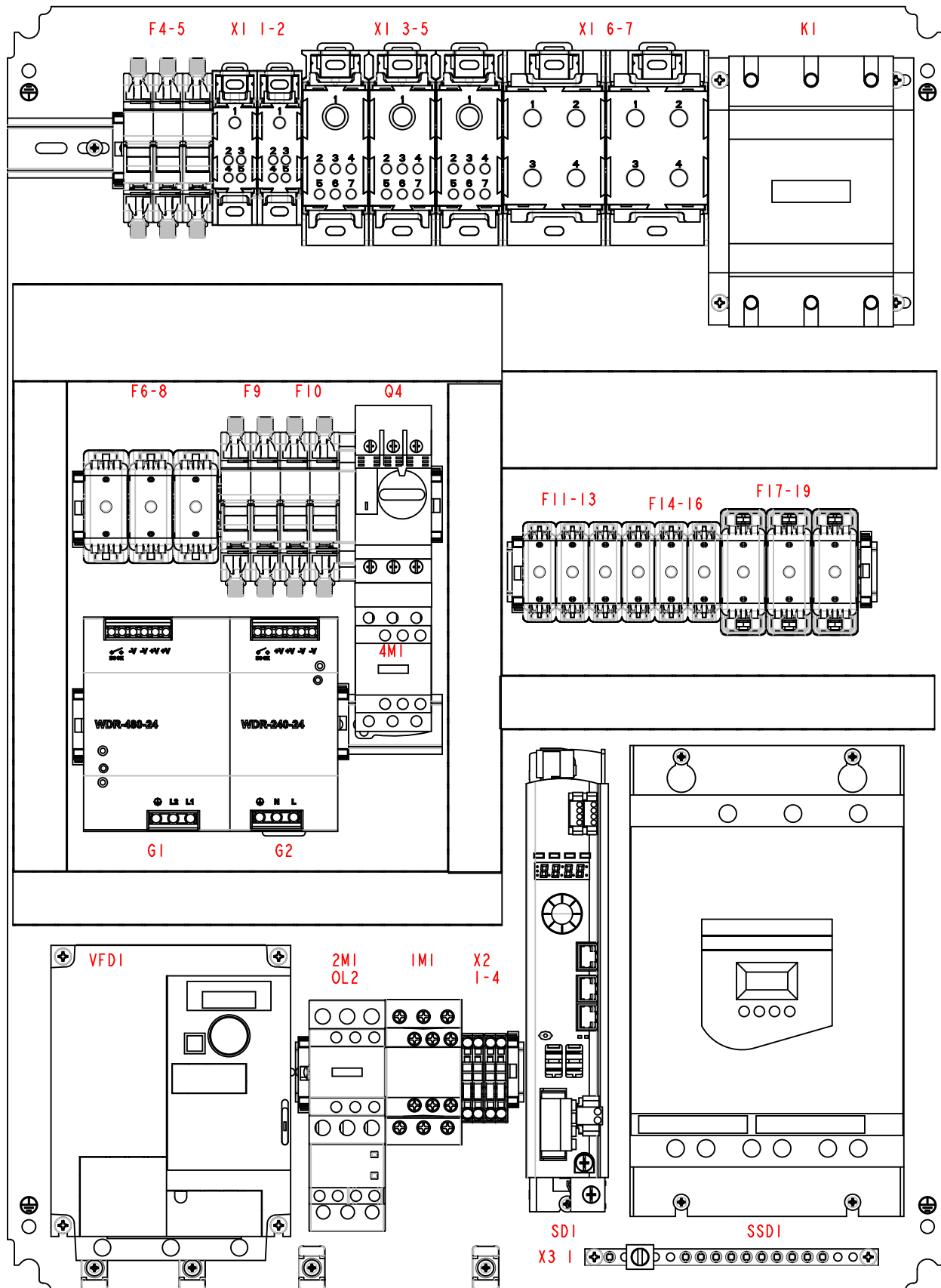
Wood-Mizer®

Project Description: WM4500

Revision: A1.00 Pg Desc: Main Control Disconnect Layout

Mounting Location: +Docs Type: Panel layout

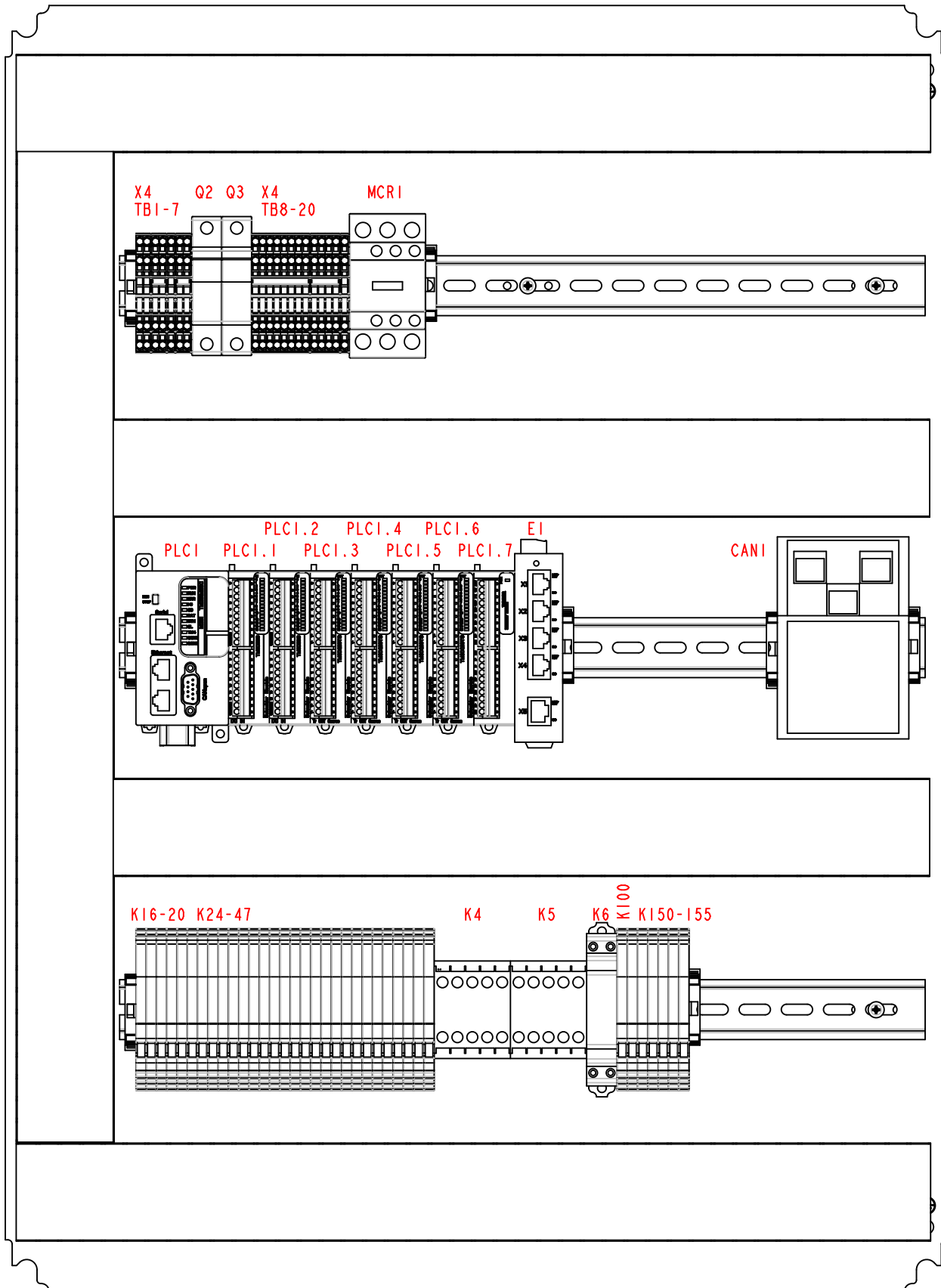
Prev. pg: F1 Page: F2 Next pg: F3 Total Pgs: 72



Wood-Mizer®

Project Description: WM4500

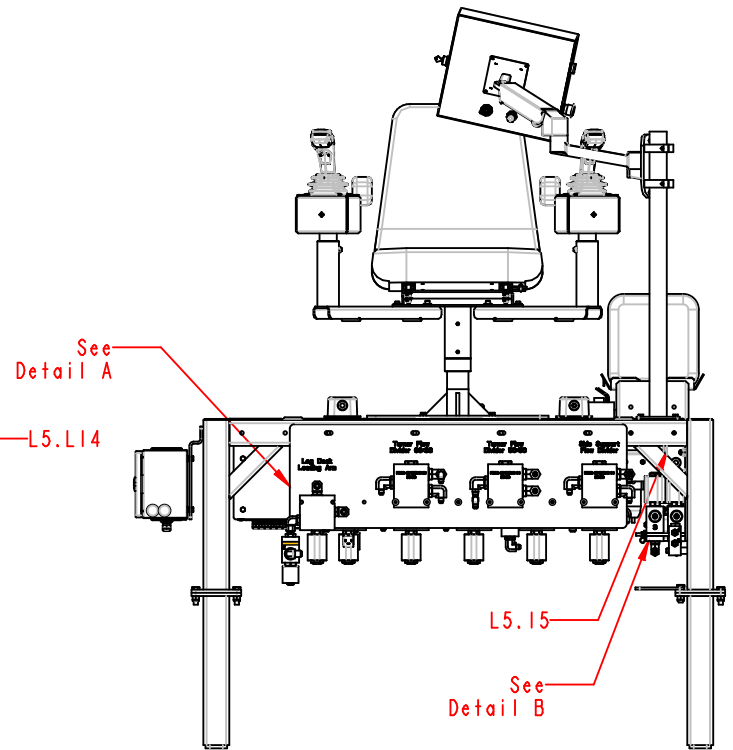
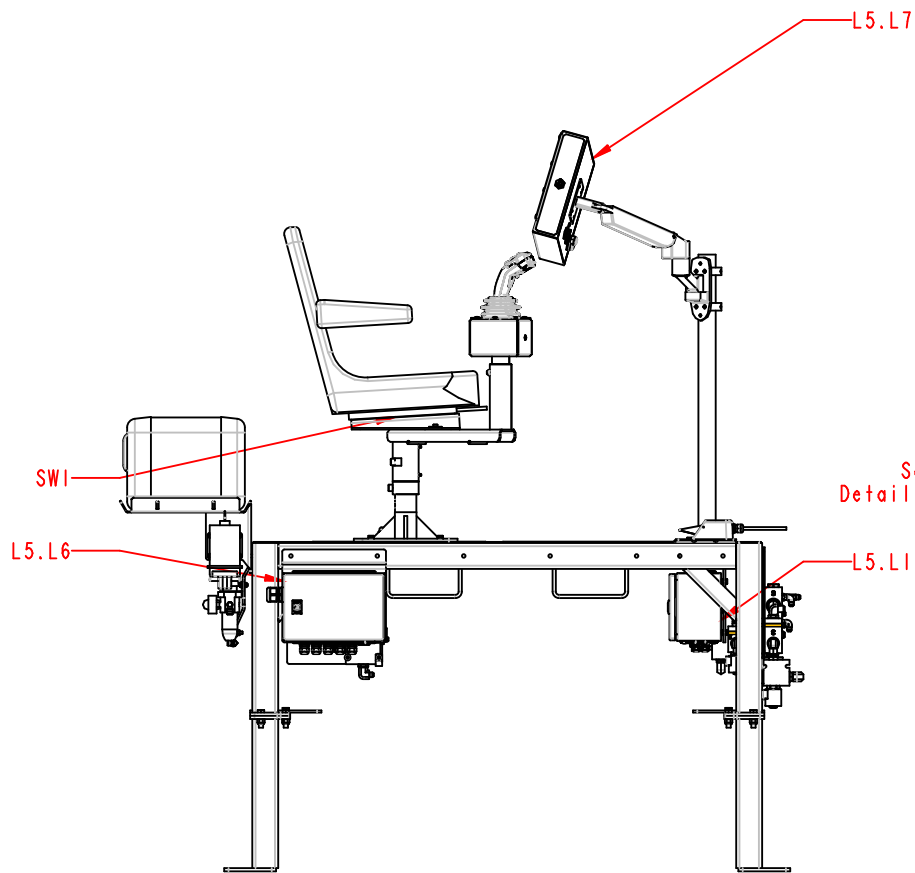
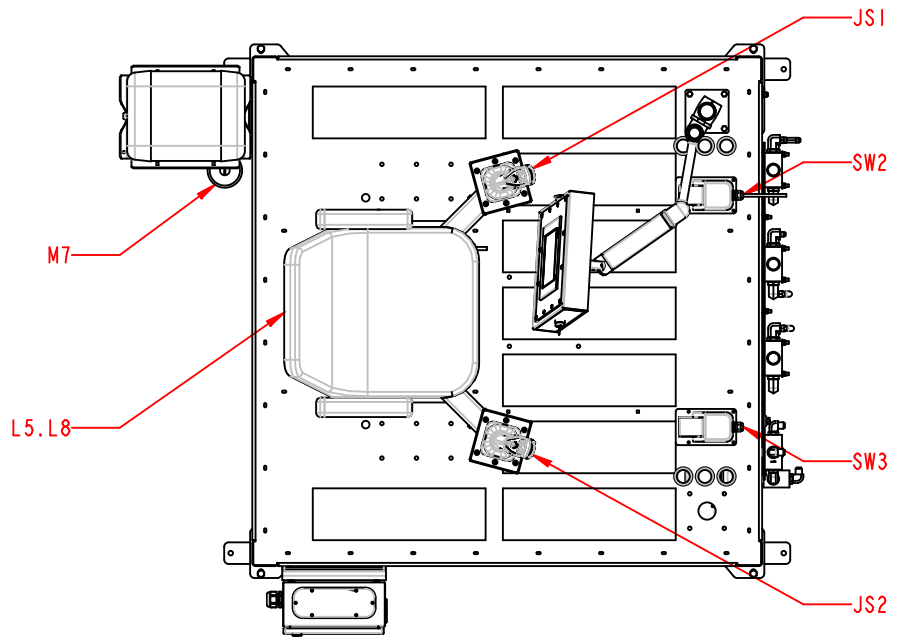
Revision:	A1.00	Pg Desc: Main Control High Voltage Layout	
Mounting Location:	+Docs	Type: Panel layout	
Prev. pg:	F2	Page:	F3
		Next pg:	F4
		Total Pgs:	72



Wood-Mizer®

Project Description: WM4500

Revision:	A1.00	Pg Desc: Main Control Low Voltage Layout
Mounting Location: +Docs		Type: Panel layout
Prev. pg: F3	Page: F4	Next pg: F5
		Total Pgs: 72

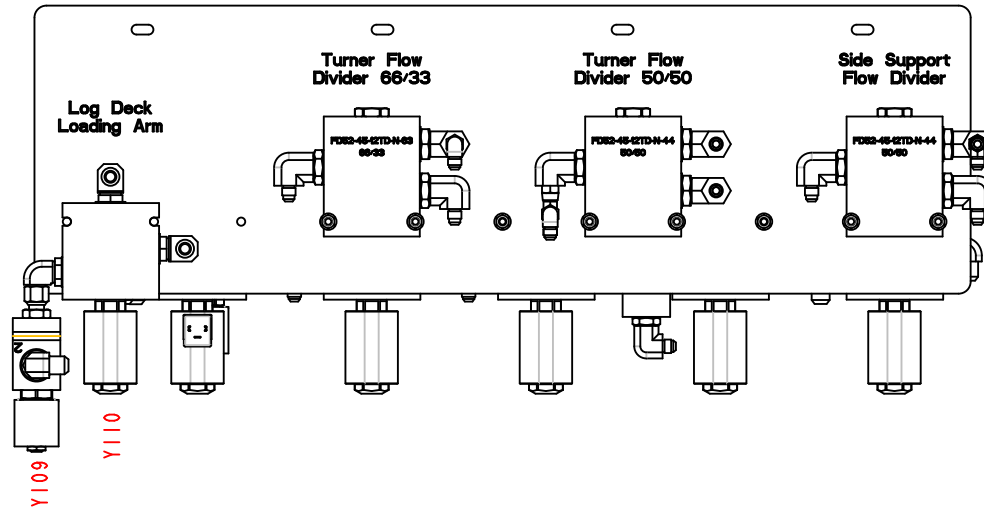


Wood-Mizer®

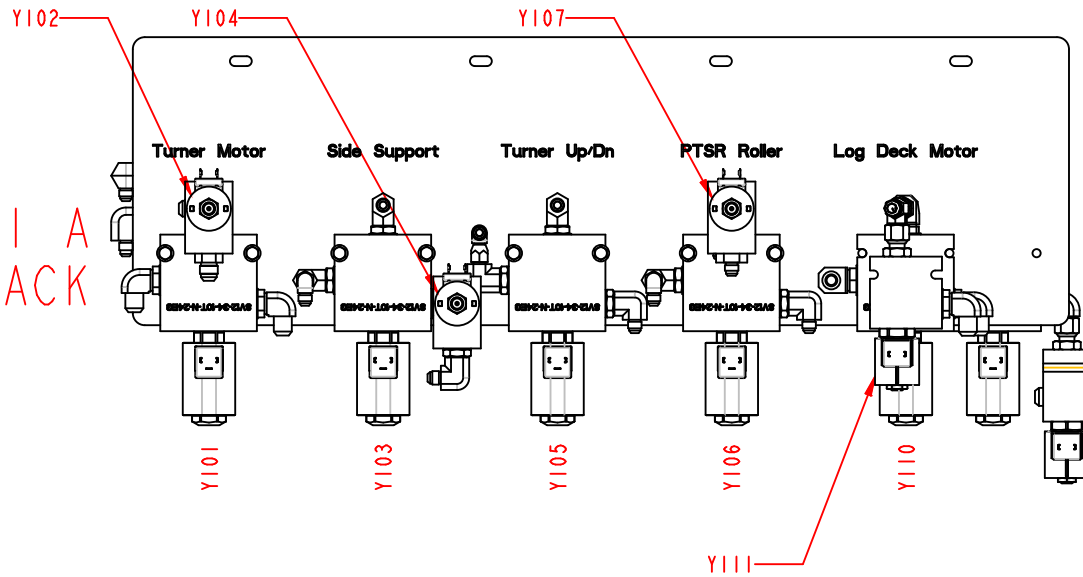
Project Description: WM4500

Revision:	A1.00	Pg Desc: Operator Ctl Layout	
Mounting Location:	+Docs	Type: Panel layout	
Prev. pg:	F4	Page:	F5
		Next pg:	F6
		Total Pgs:	72

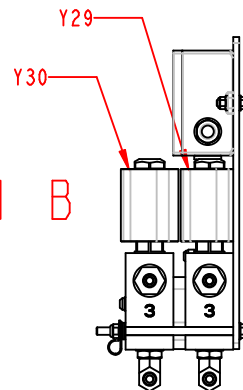
Detail A
FRONT



Detail A
BACK



Detail B



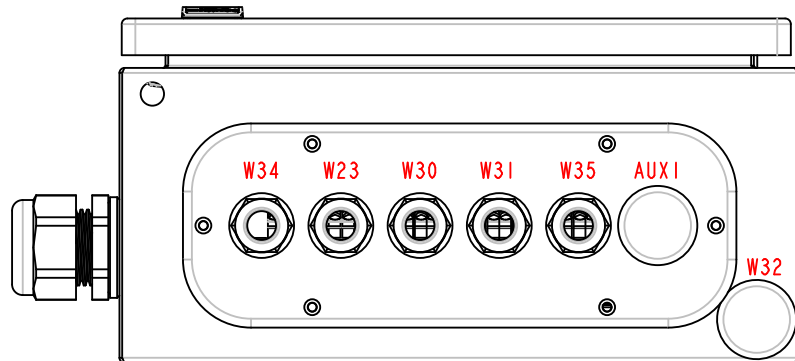
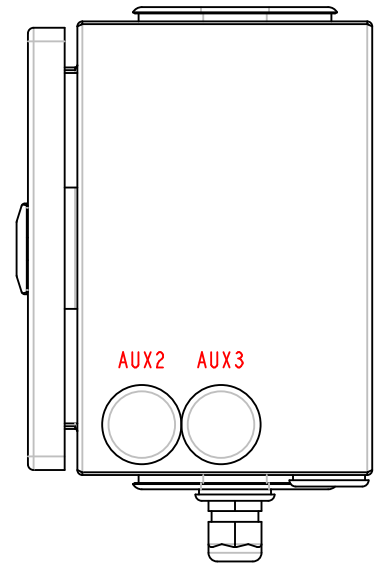
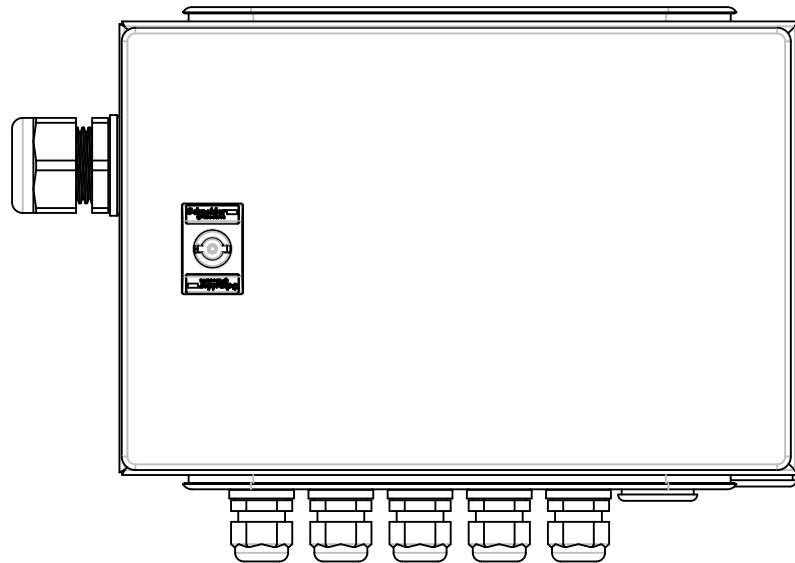
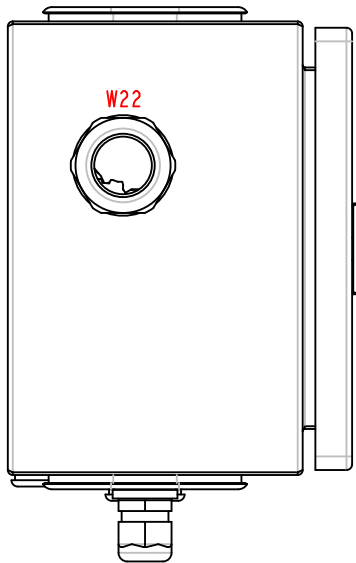
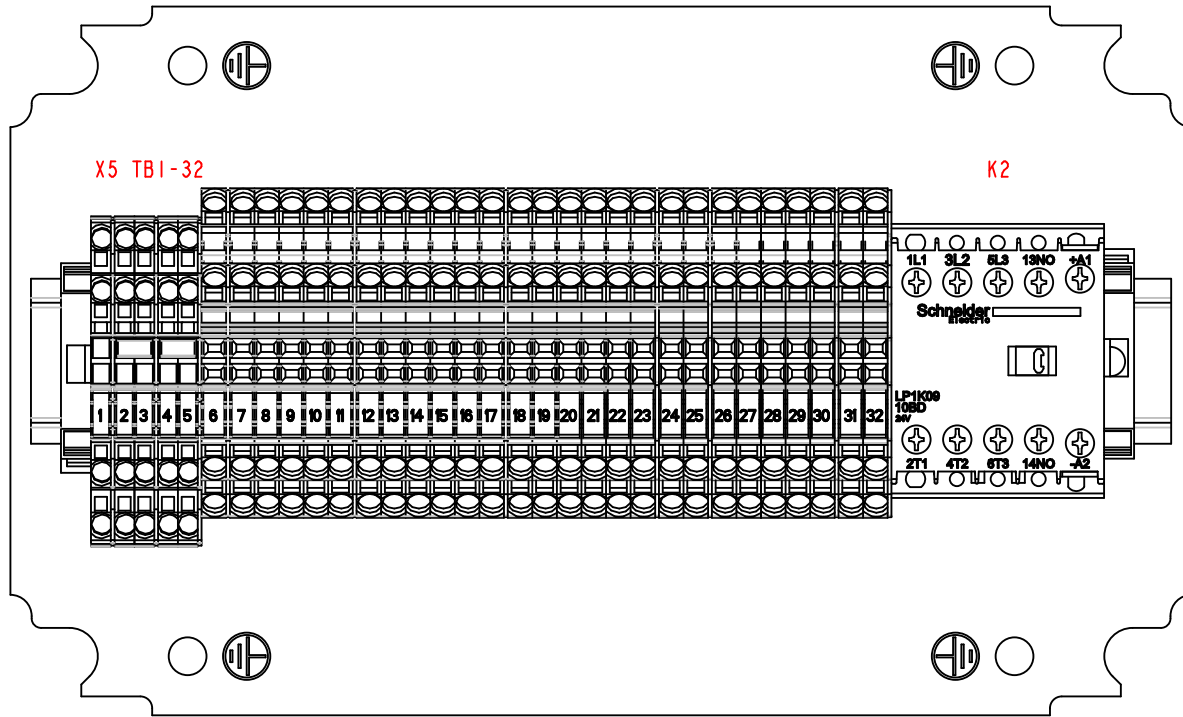
Wood-Mizer®


Project Description: WM4500

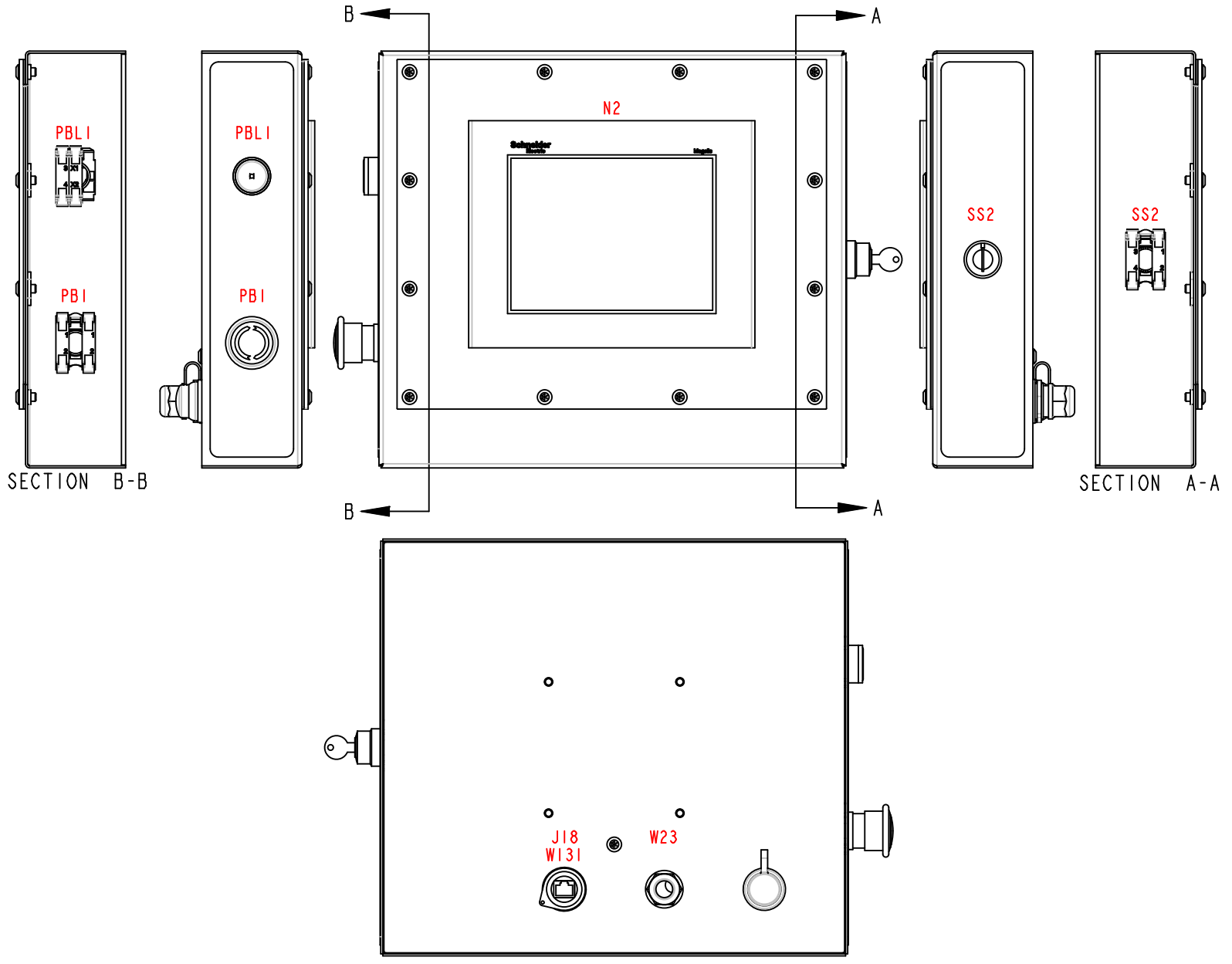
Revision: A1.00 Pg Desc: Operator Ctl Solenoid Layout


Mounting Location: +Docs Type: Panel layout

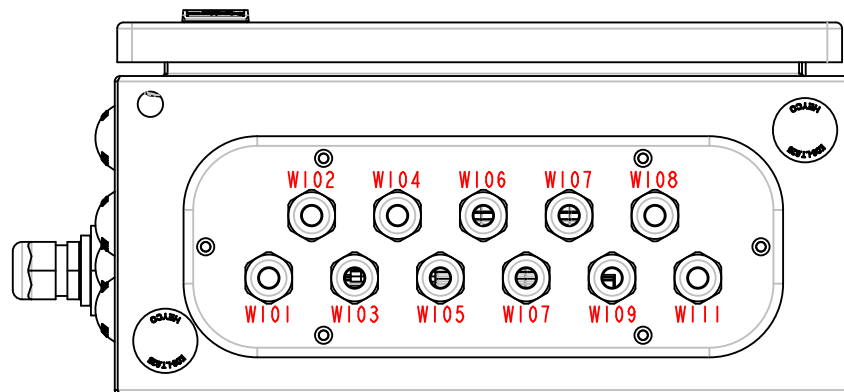
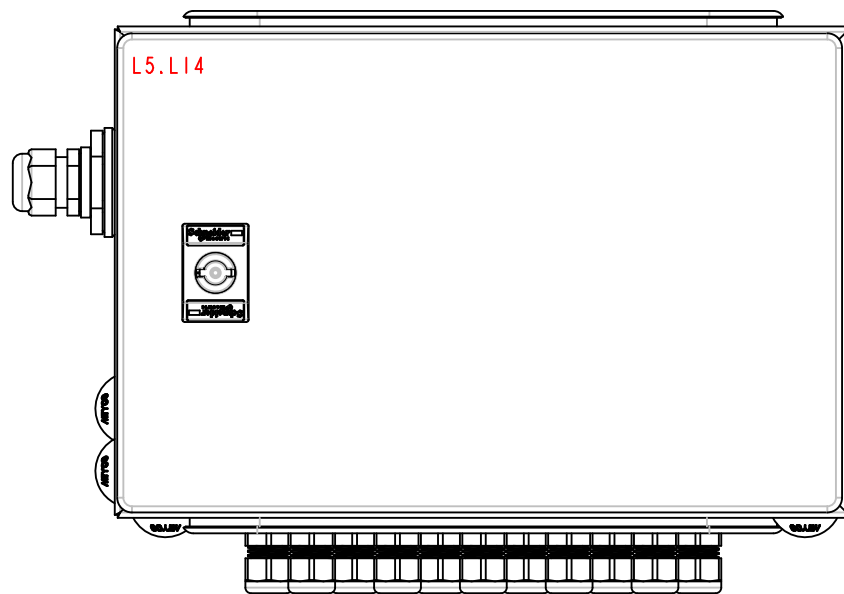
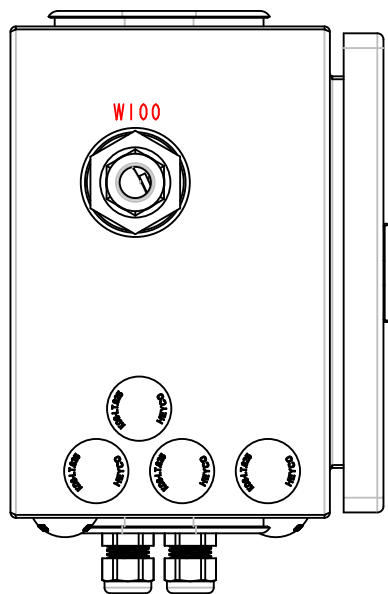
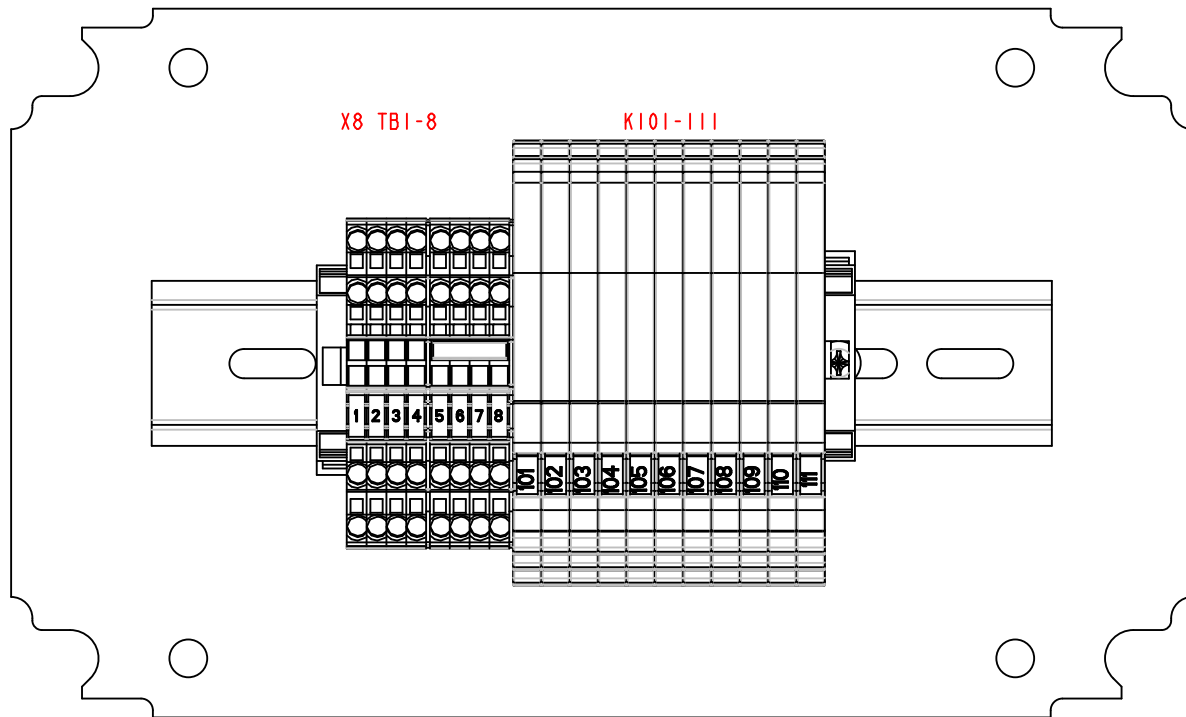
Prev. pg: F5 Page: F6 Next pg: F7 Total Pgs: 72




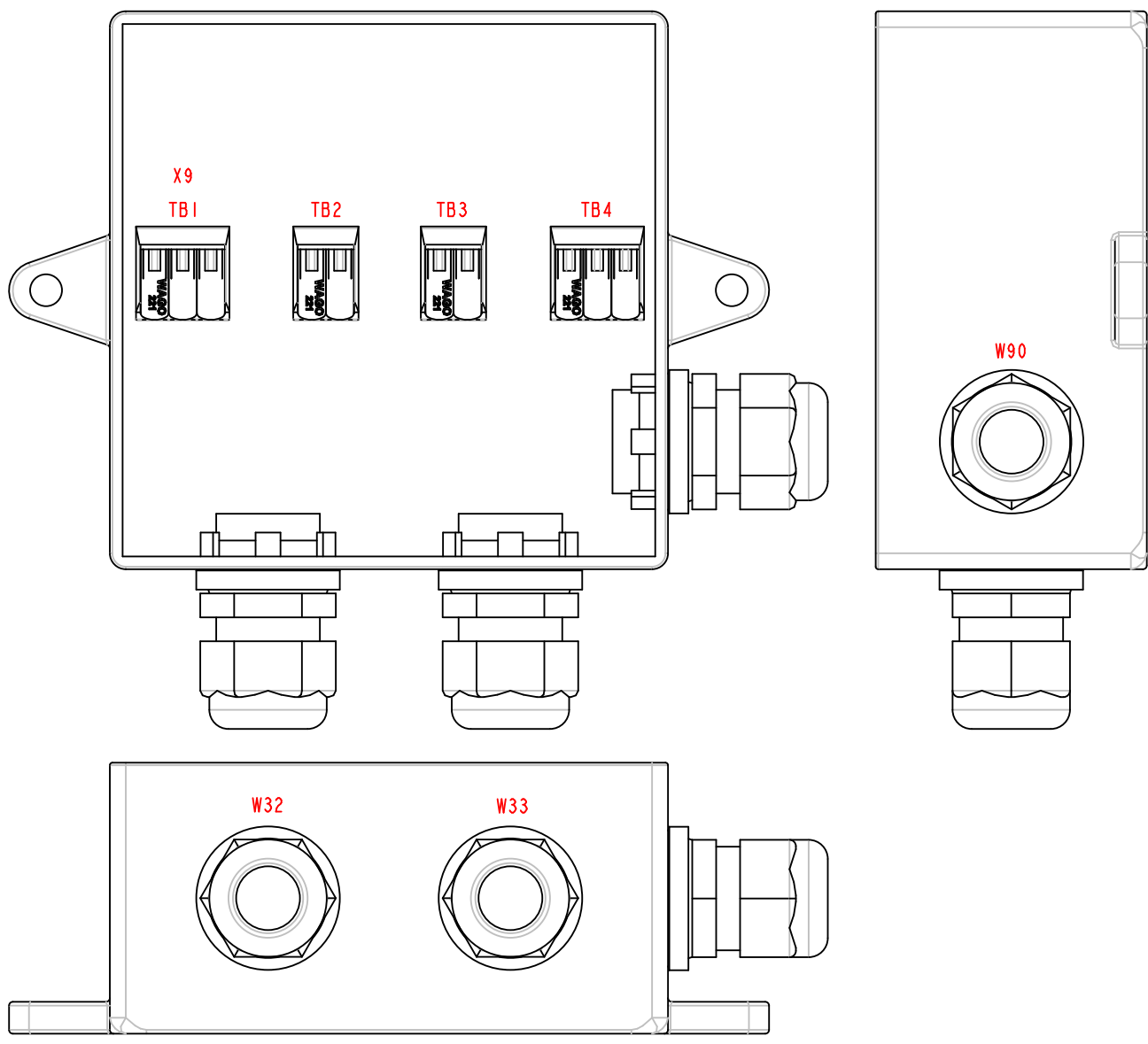
 Wood-Mizer®	
Project Description: WM4500	
Revision: A1.00	Pg Desc: Operator Ctl Junction Layout
Mounting Location: +Docs	Type: Panel layout
Prev. pg: F6	Page: F7
Next pg: F8	Total Pgs: 72




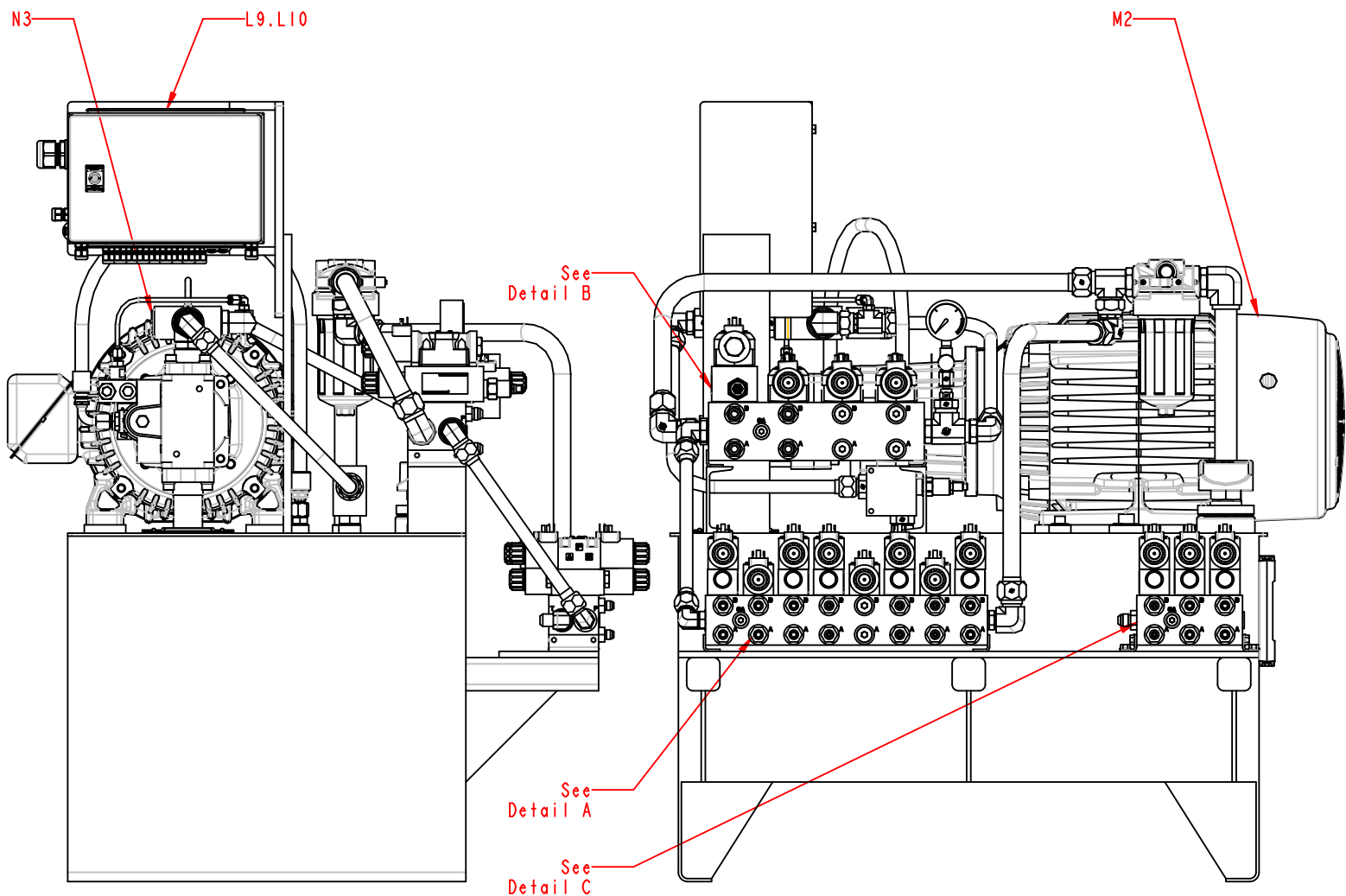
 Wood-Mizer®	
Project Description: WM4500	
Revision: A1.00	Pg Desc: Operator Ctl HMI Layout
Mounting Location: +Docs	Type: Panel layout
Prev. pg: F7	Page: F8
Next pg: F9	Total Pgs: 72



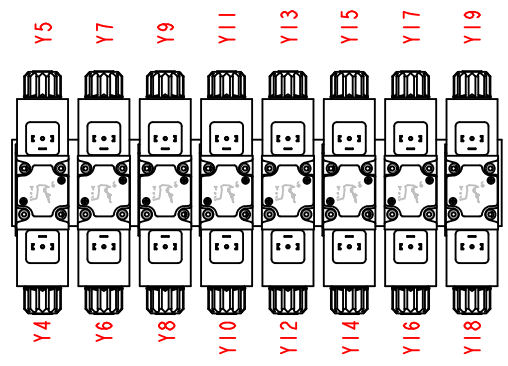
 Wood-Mizer®	
Project Description: WM4500	
Revision: A1.00	Pg Desc: Operator Ctl Bed Ex Layout
Mounting Location: +Docs	Type: Panel layout
Prev. pg: F8	Page: F9
Next pg: F10	Total Pgs: 72



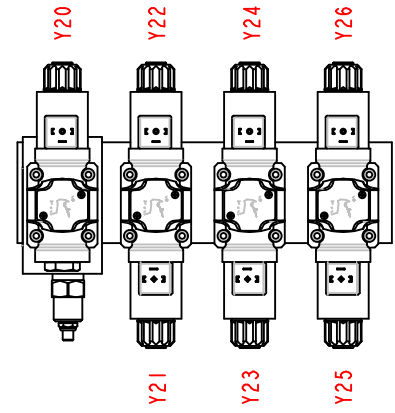
 Wood-Mizer®				
Project Description: WM4500				
Revision:	A1.00	Pg Desc: Operator Ctl Side Supports Layout		
Mounting Location:	+Docs	Type: Panel layout		
Prev. pg:	F9	Page: F10	Next pg: F11	Total Pgs: 72



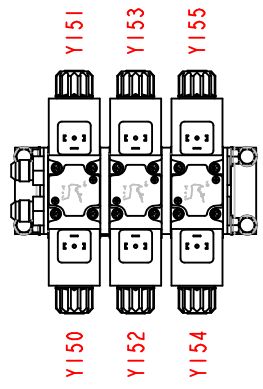
Detail A



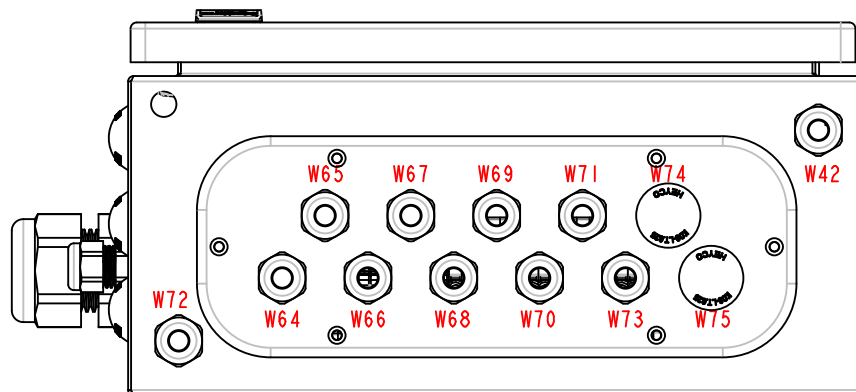
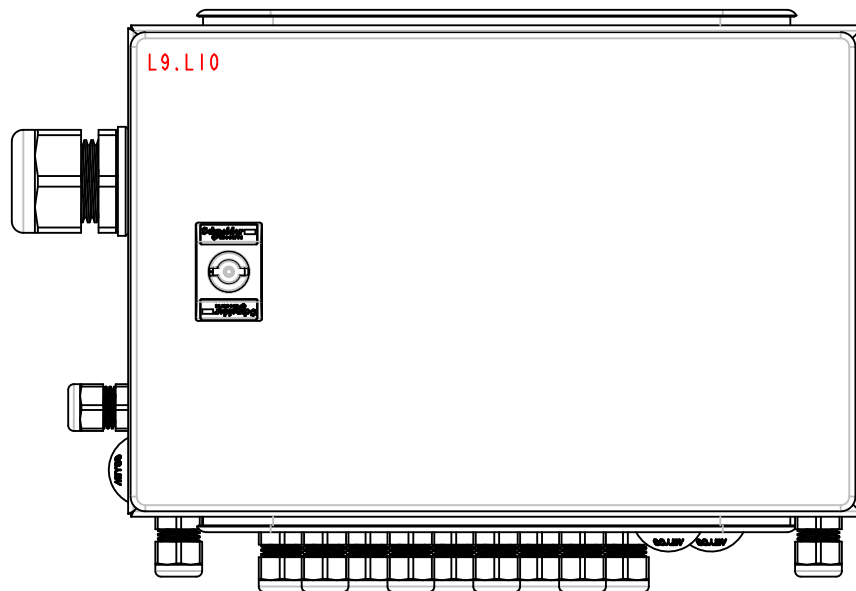
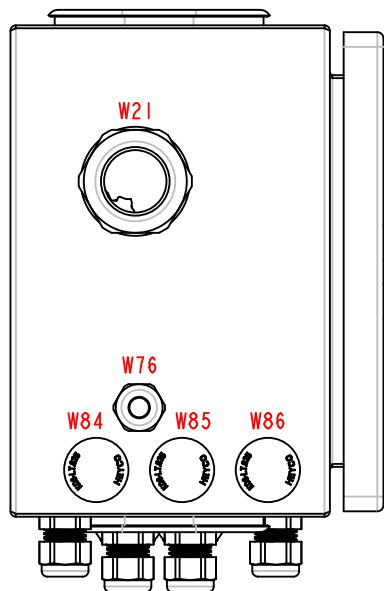
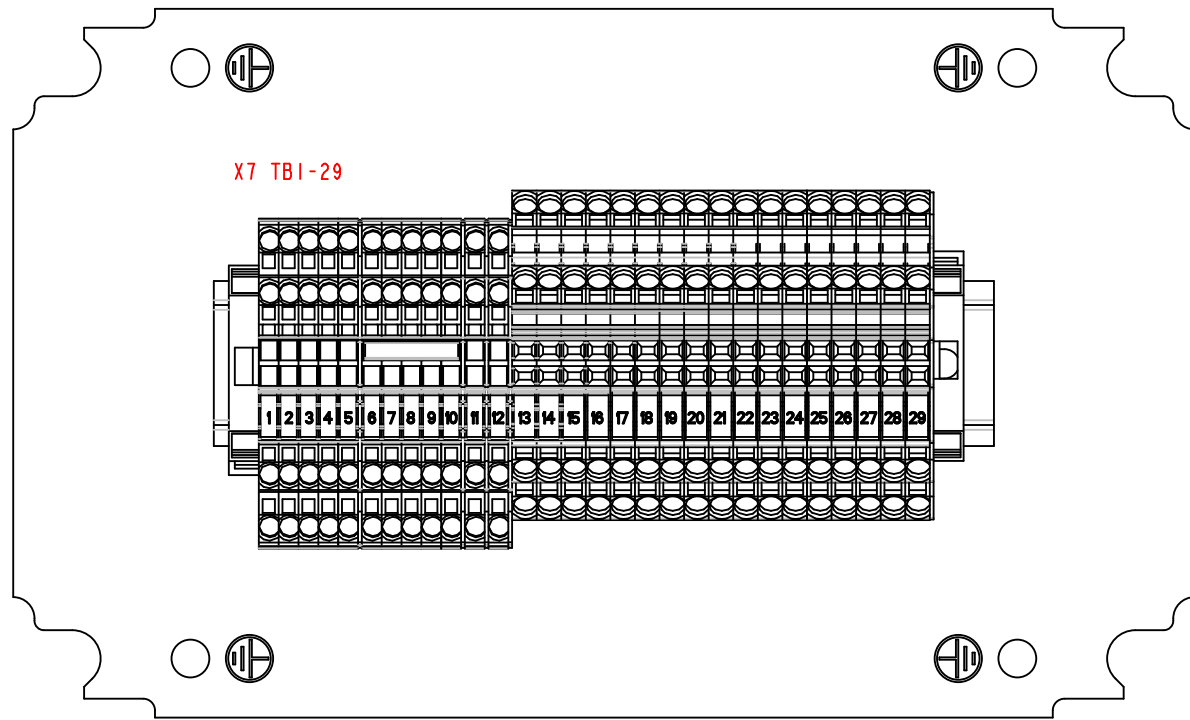
Detail B




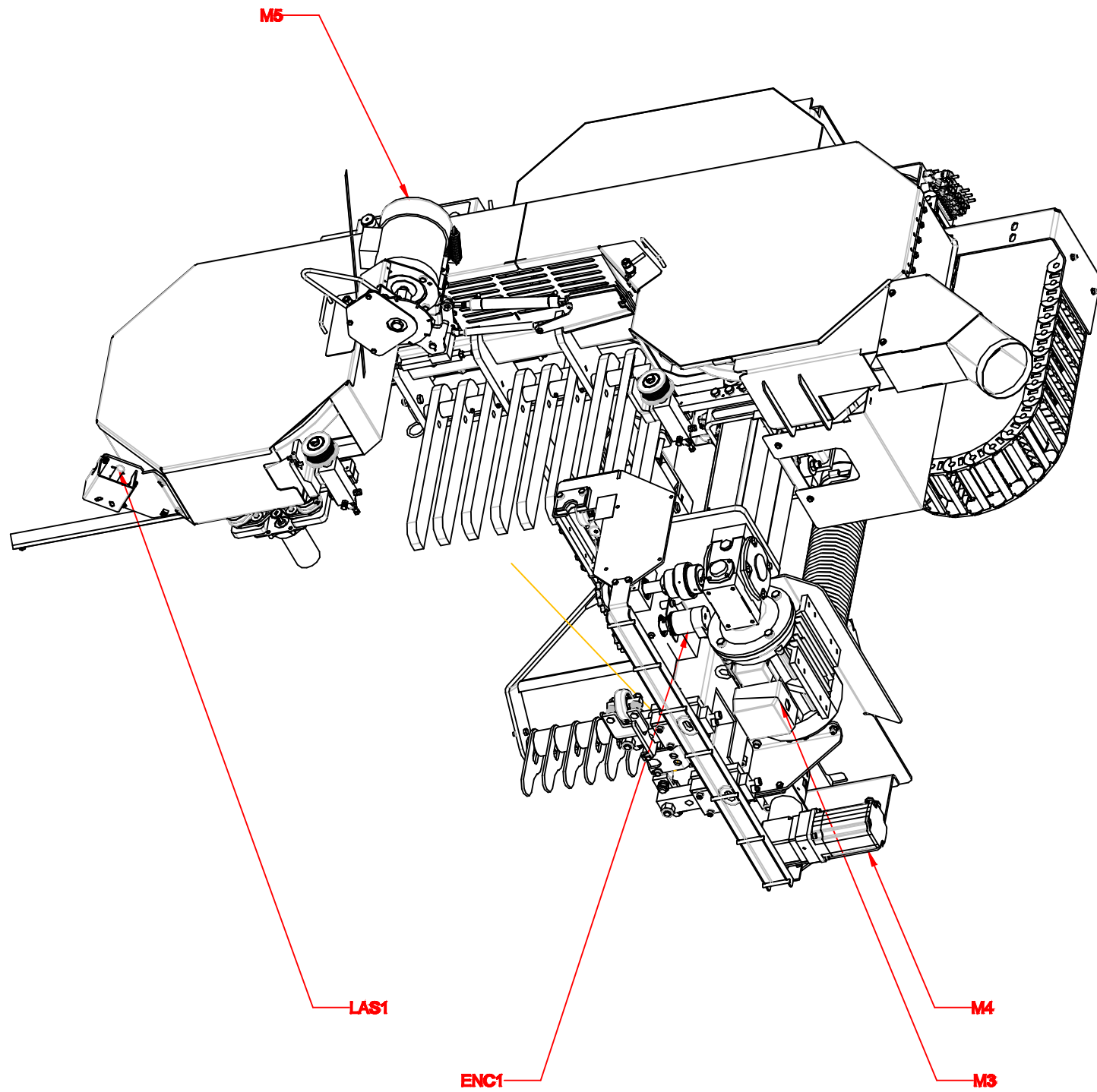
Detail C




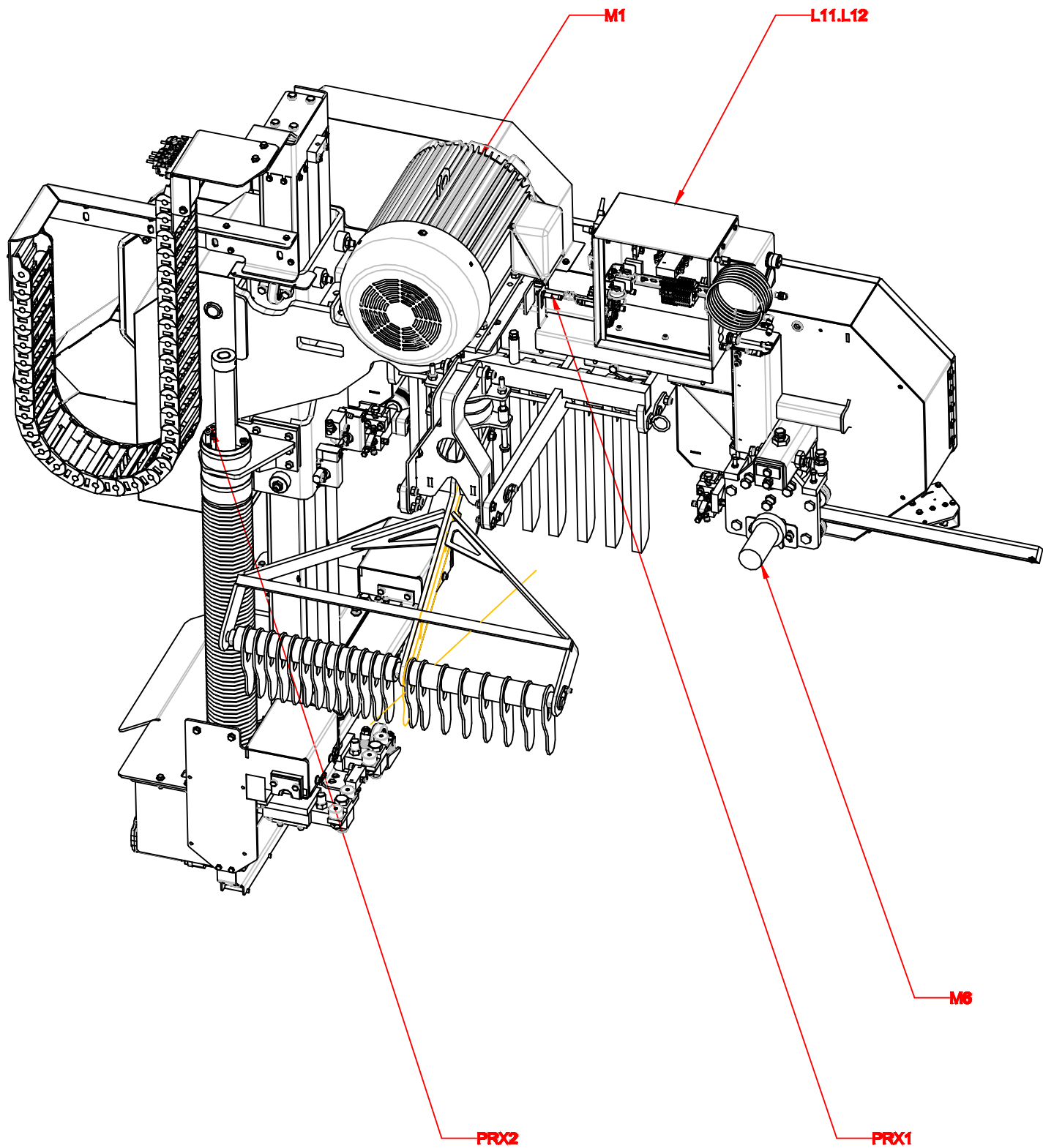
		Wood-Mizer®	
Project Description: WM4500			
Revision:	A1.00	Pg Desc: Hydraulic Control Layout	
Mounting Location:	+Docs	Type: Panel layout	
Prev. pg:	F10	Page:	F11
		Next pg:	F12
		Total Pgs:	72



		Wood-Mizer®	
Project Description: WM4500			
Revision:	A1.00	Pg Desc: Hydraulic Control Junction Layout	
Mounting Location:	+Docs	Type: Panel layout	
Prev. pg:	F11	Page:	F12
		Next pg:	F13
		Total Pgs:	72



 Wood-Mizer®				
Project Description: WM4500				
Revision:	A1.00	Pg Desc: Head Control Layout Pg1		
Mounting Location:	+Docs	Type: Panel layout		
Prev. pg:	F12	Page: F13	Next pg: F14	Total Pgs: 72

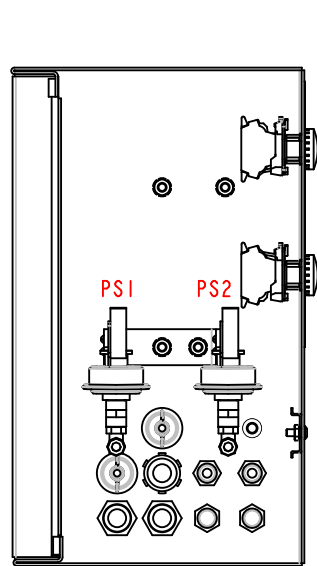
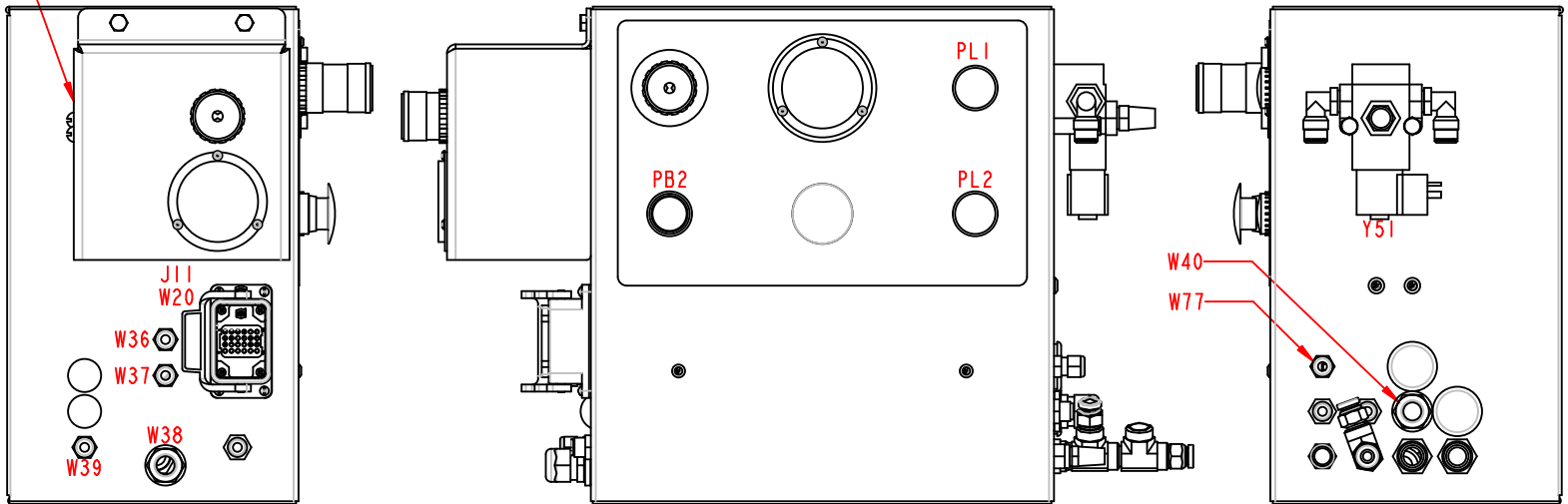


Wood-Mizer®

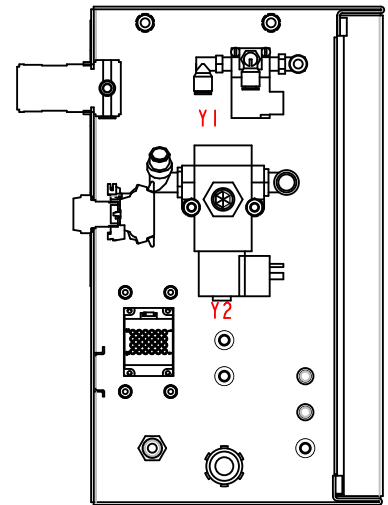
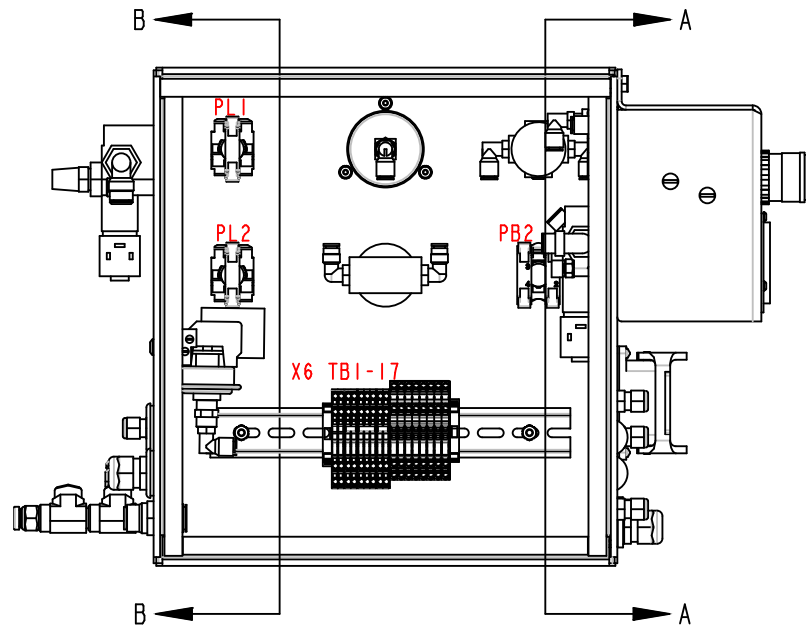
Project Description: WM4500

Revision:	A1.00	Pg Desc: Head Control Layout Pg2
Mounting Location: +Docs		Type: Panel layout
Prev. pg: F13	Page: F14	Next pg: F15
		Total Pgs: 72

Y3 (Inside Cover)
Debarker In Solenoid



SECTION B-B



SECTION A-A



Wood-Mizer®

Project Description: WM4500

Revision: A1.00 Pg Desc: Head Control Junction Layout

Mounting Location: +Docs Type: Panel layout

Prev. pg: F14 Page: F15 Next pg:+Mfg_Docs/GlTotal Pgs: 72