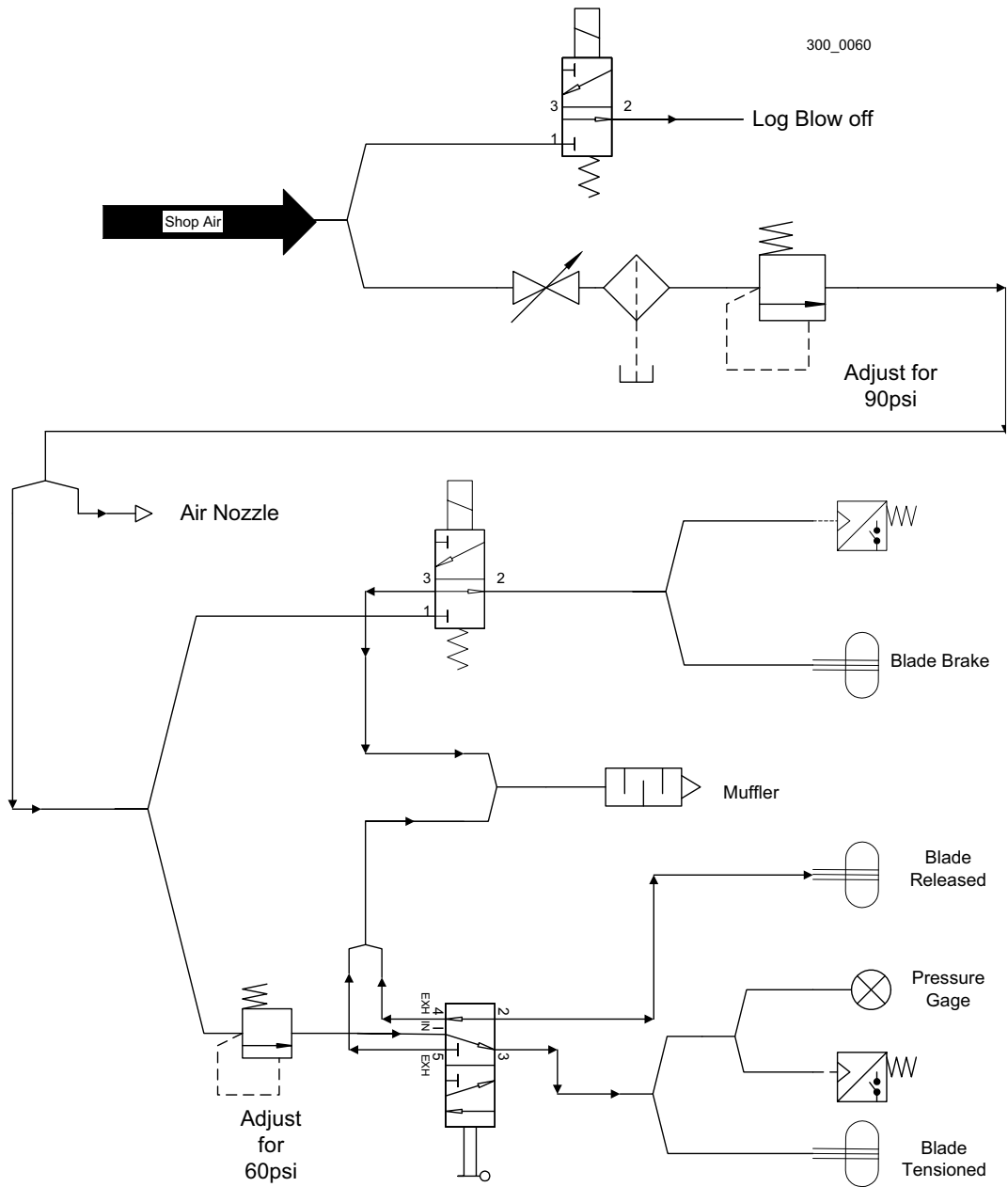


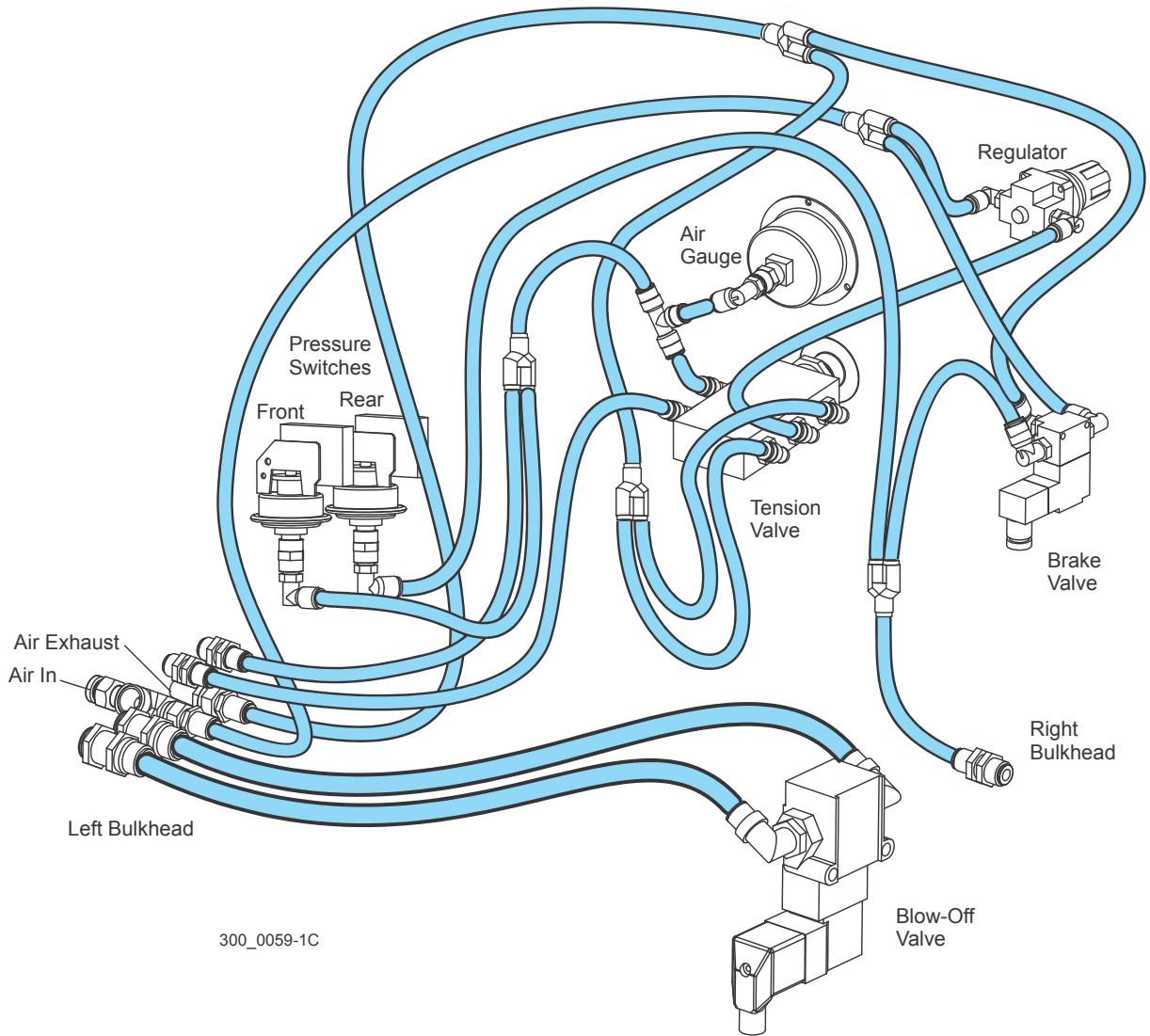
### B.1 Air Schematic



300\_0060

**AIR SCHEMATIC**

## B.2 Head/Air Box Plumbing



**HEAD/AIR BOX PLUMBING**