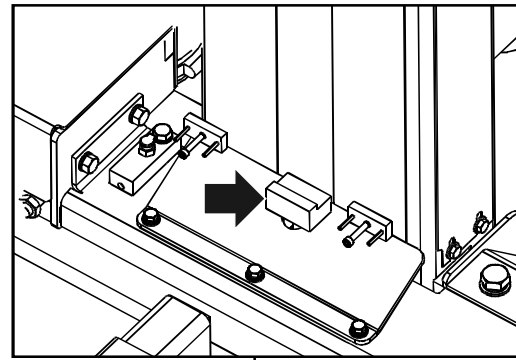
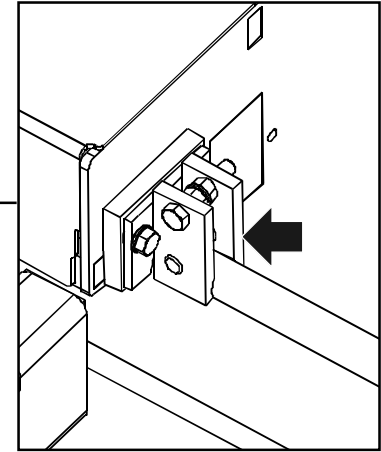


Shipping Kit Part No.:  
016824 (For LT300 Rev. A1.00 - A8.00 - Includes all parts shown)  
036811 (For LT300 Rev. A9.00+ - Includes all except fork tubes)



Saw Head  
Rest Assembly

Rest Block



Clamps (2)

Fork Tubes  
(36 3/16" center  
to center)  
Rev. A1.00 - A8.00 Only