

# FORM 1348

## SHR LUBE-MIZER SYSTEM INSTALLATION

### Part No. LMS-SHR

The enclosed parts include the Lube-Mizer System and mounting hardware necessary to install the Lube-Mizer on a Single Head Resaw.

Item	Description	Part No.	Qty.
1	<b>LUBE-MIZER KIT, SINGLE HEAD RESAW OPTION</b>	LMS-SHR	1
2	Lube-Mizer Assembly, SHR	038563	1
3	Fitting, 1/4" NPT-3/8" Barb	014685	1
4	Fitting, 3/8" NPT-1/4" NPT Reducer	015490	2
5	Fitting, 1/4" NPT x 3/8" Hose Barb, Elbow	016330	2
6	Clamp, Single Snap Grip #38	016845	5
7	Valve, 3/8" Barb 6PSI Check	033448	1
8	Valve, 1/8" NPT 3PSI Check	033449	1
9	Fitting, 1/4" TB x 1/8" FPT, Straight Air	033450	1
10	Pump Assembly, LT300 Lube	050029	1
11	Bolt, 3/8-16 x 1 1/4" Hex Head Grade 5	F05007-123	4
12	Nut, 3/8-16 Hex Nylon Lock	F05010-10	4
13	Washer, 3/8" Flat SAE	F05011-3	4
14	Fitting, 1/4" NPT Male Run Tee	P09141	2
15	Reducer, 1/4" NPT To 1/8" NPT	P22680	1
16	Fitting, 1/8" NPT x 1/4" Tube Elbow Swivel	P09736	1
17	Nozzle, Blade Lube Spray	033479	2
18	Tubing, 3/8" ID Flex PVC	R01885-1	2.75 ft.
19	Line, 1/4" Air	R01869	2 ft.
20	Control Assembly, SHR Lube-Mizer	052615	1
21	Switch Body, 22mm Green LED 2NO 24V	052612	1
22	Switch Head, 22mm Illum Green Selector	052613	1
23	Timer Control, Repeat Cycle 24VAC 5A	052614	1
24	Potentiometer Assembly, Lube-Mizer Control	024590	1
25	Resistor Assembly, 47K Yellow Lube Timer	024591	2
26	Diode Assembly, SHR Lube	052616	1
27	Fuseholder, In-Line 3-20A ATC w/Cover	024555	1
28	Fuse, 4A ATO Blade Pink	024150-4	1
29	Wire, 16 AWG Stranded Red MTW	R01920-3	22"
30	Connector, Ferrule 16 AWG 1.5mm Black	024190-16	7
31	Terminal, Ferrule 16 AWG 2 Wire Red PK 200	025167-16	1

<b>32</b>	Connector, Pin Contact U-Mate-N-Lok	E10479	2
<b>33</b>	Terminal, 1/4 14-16 Ga Qk Female FI Reel	F05708-3R	3
<b>34</b>	Connenctor, Housing Plug 3Pos U Mate-N-Lok	052450	1
<b>35</b>	Bolt, 1/4-20 x 1 3/4" Hex Head Grade 5	F05005-68	1
<b>36</b>	Washer, 1/4" SAE Flat	F05011-11	2
<b>37</b>	Nut, 1/4-20 Keps	F05010-9	1
<b>38</b>	Knob, 1/4" ID Fluted Round Plastic	033478	1
<b>39</b>	Tie Wrap, 3/16" x 6" UV Black	F05089-3	5
<b>40</b>	Harness Assembly, SHR Lube Pump	052617	1
<b>41</b>	Bag, 6" x 12" Plastic	P07061	1
<b>42</b>	Instruction Sheet, LMS-SHR Installation	052615-1348	1

## Installation Instructions



**WARNING!** Before performing service near moving parts such as blades, pulleys, motors, belts and chains, first turn the machine off and perform the lockout procedure. If the machine is turned on and moving parts activated, serious injury may result.

1. Unlock and open the control box on the single head resaw.
2. Cut two holes in the control box decal to install the Lube-Mizer controls to the control box door using the existing holes in the box door as a guide.
3. Install the Lube-Mizer pulse rate potentiometer in the left hole on the Lube-Mizer control section.  
**NOTE:** Make sure the potentiometer knob can be turned clockwise to indicate the correct pulse rate as shown on the decal after installation is complete.
4. Use the right hole in the control box door to install the ON/OFF/PULSE switch. To install the switch, disassemble the rear part of the switch and the front switch knob by pulling the small black lever on one side of the switch assembly. **NOTE:** Make sure the front knob shows the correct positions on the decal after installation is complete.
5. Install the timer control component below the Lube-Mizer controls. Use the existing bolt and nut to mount the time control to the inside wall of the control box door.

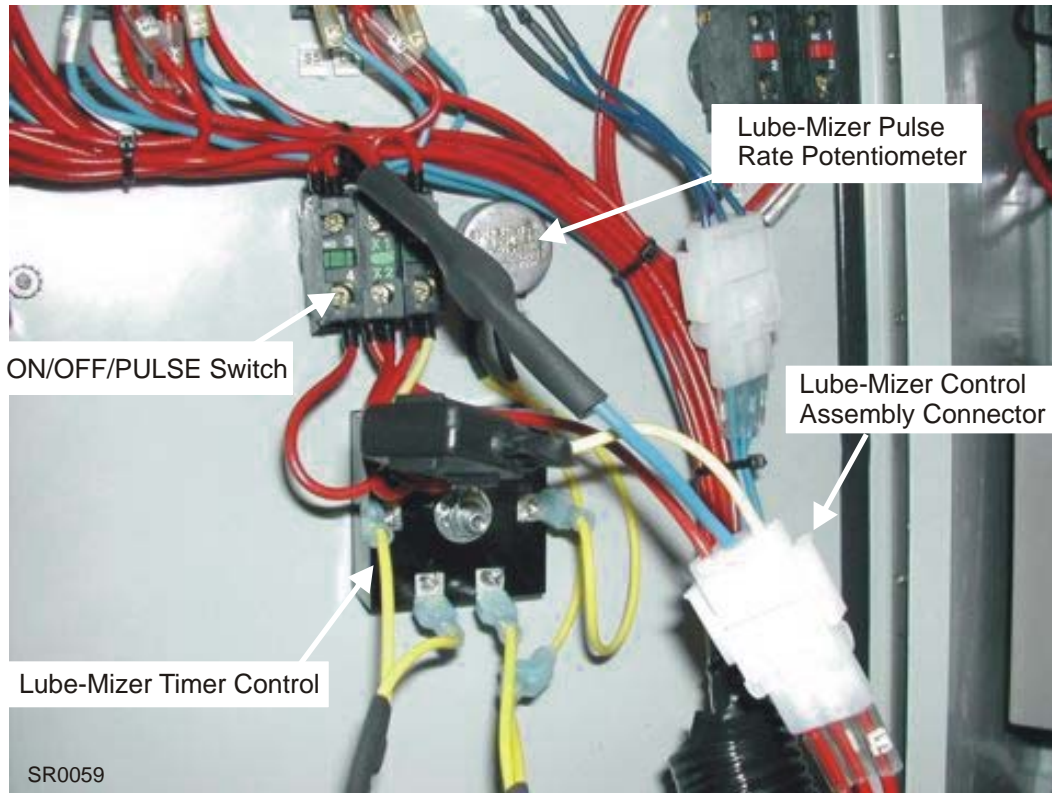
See Figure 1.



FIGURE 1

6. Connect the Lube-Mizer timer control connector to the existing connector inside the control box.

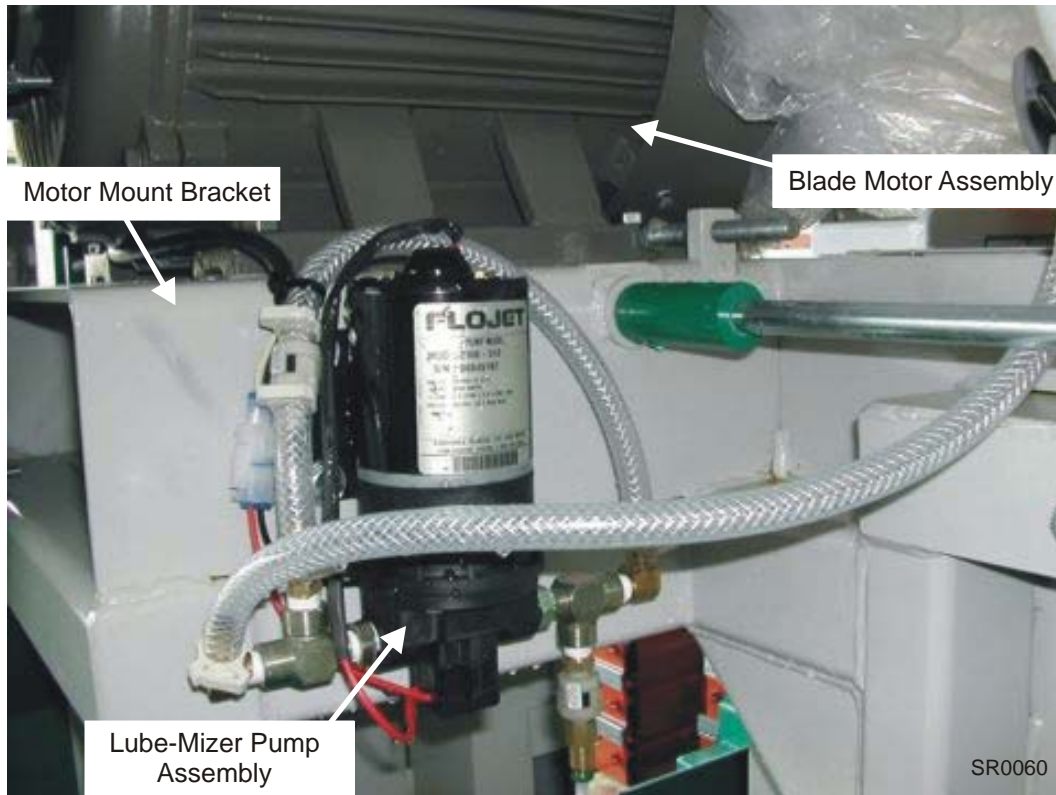
See Figure 2.



**FIGURE 2**

7. Install the provided Lube-Mizer pump assembly to the motor mount bracket as shown below.

**See Figure 3.** Secure the pump assembly in place with the provided fasteners.



**FIGURE 3**

8. Route the provided wire harness through the bottom side of the control box. Connect the black and white wires to the terminal blocks inside the control box as shown below.

**See Figure 4.** Insert a small screwdriver in the square hole above the installation terminal to open the wire clamp inside the terminal block. Remove the screwdriver after the wire is installed in the terminal block to release the wire clamp.

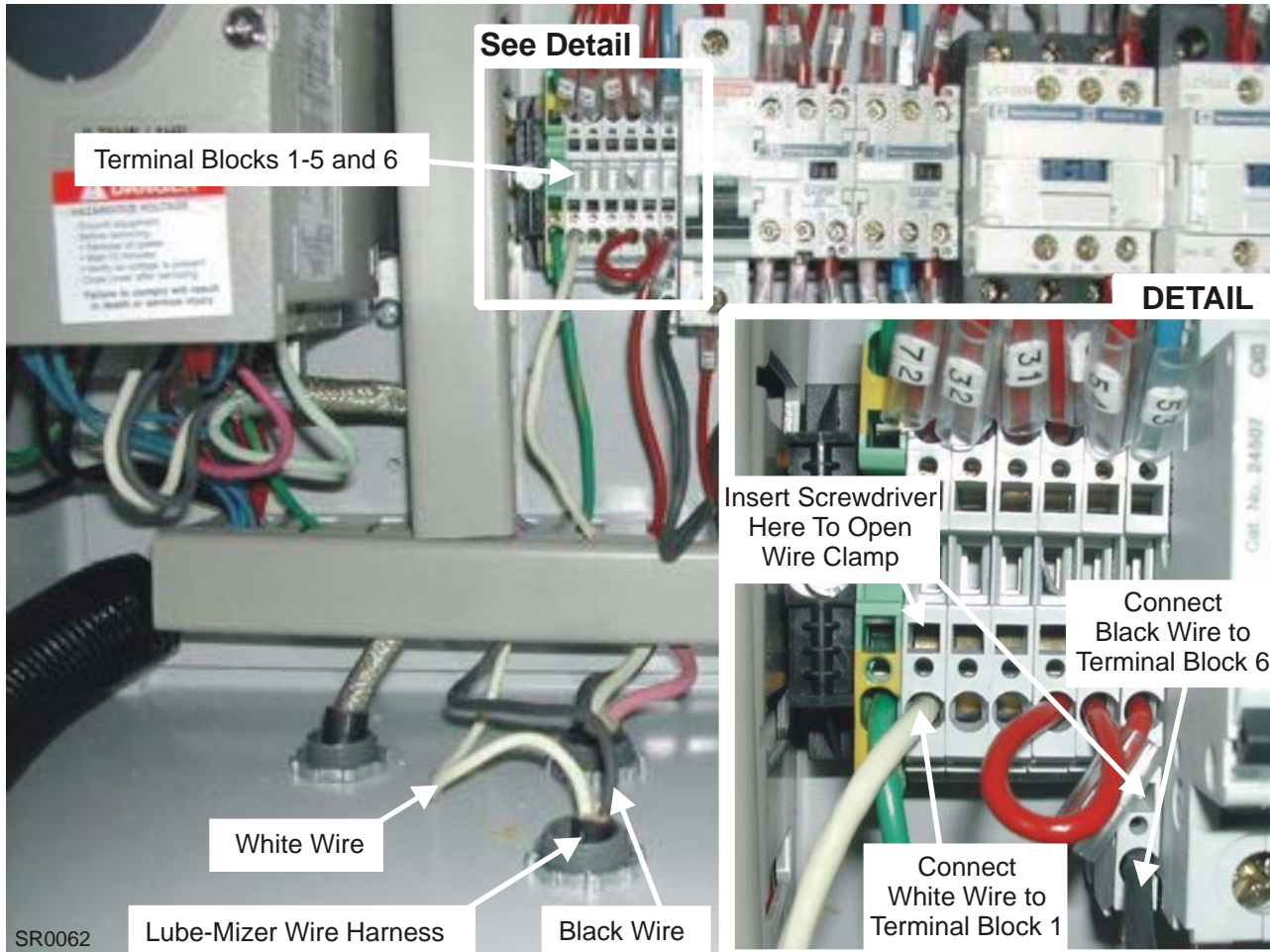
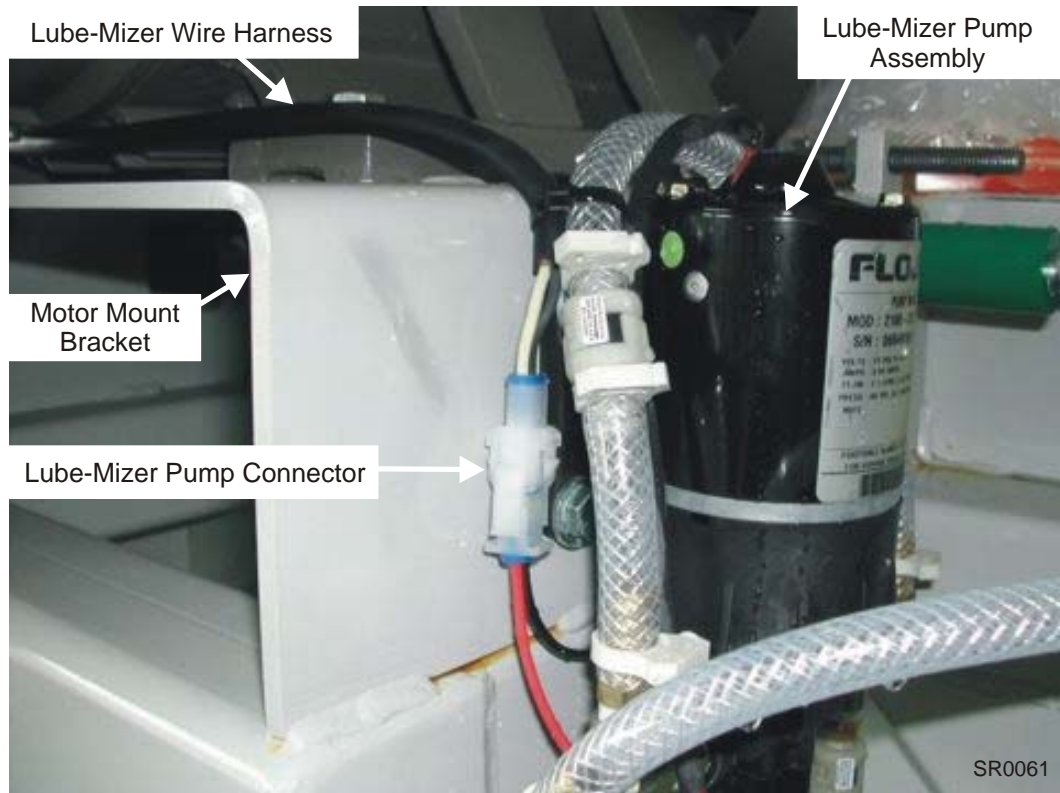


FIGURE 4



9. Route the wire harness from the control box to the Lube-Mizer pump assembly. Use the provided tie wraps to secure the wire harness to the blade motor harness.

**See Figure 5.** Connect the Lube-Mizer wire harness connector to the existing connector at the Lube-Mizer pump assembly.

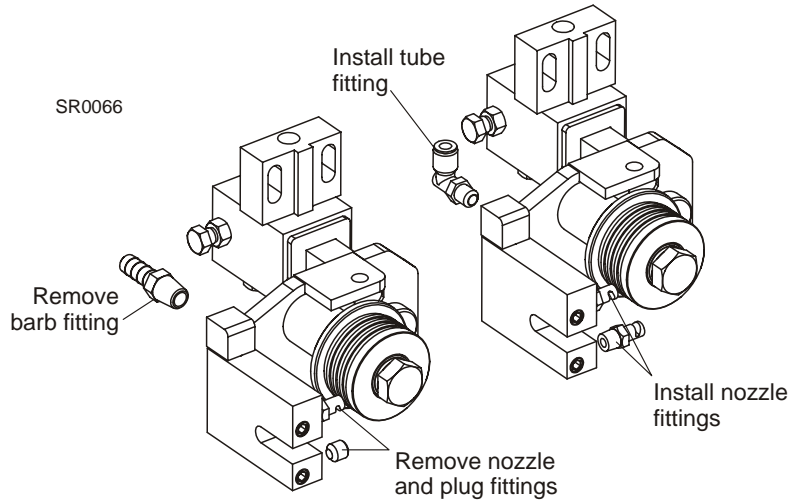


**FIGURE 5**

10. Disconnect and remove the hose between the water lube bottle and the idle side blade guide assembly.

11. Remove the hose barb, nozzle and plug fittings from the blade guide bracket.

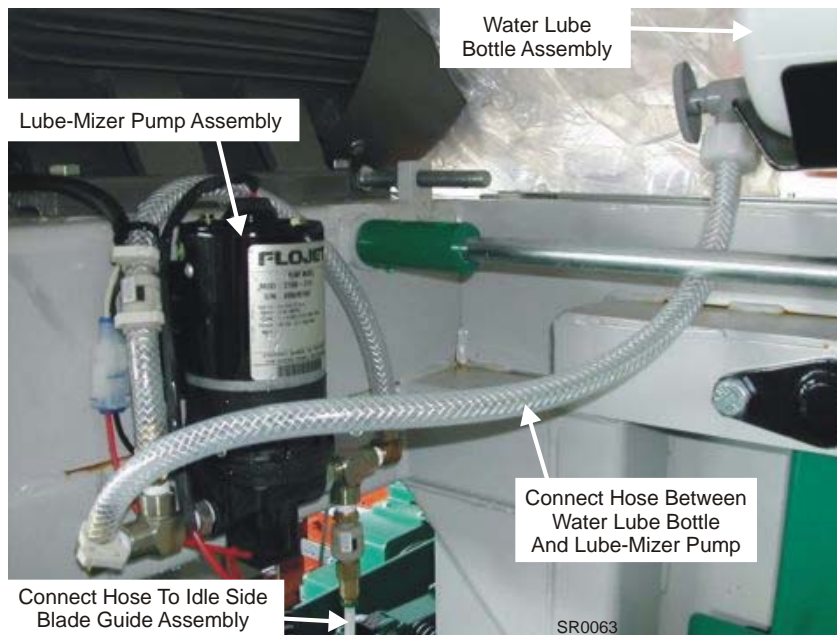
**See Figure 6.** Install the provided elbow tube and nozzle fittings to the blade guide bracket.



**FIGURE 6**

12. Connect the provided 3/8" braided hose between the water lube bottle and the Lube-Mizer pump as shown.

**See Figure 7.** Connect the 1/4" tube from the Lube-Mizer pump to the elbow tube fitting on the idle side blade guide assembly.



**FIGURE 7**

13. Close the control box and secure with the existing screws.



## Lube-Mizer Operation

This option is used in place of the standard Water Lube system to lubricate the blade during sawing. The Lube-Mizer option applies lubricant to both sides of the blade as you are sawing to reduce resin buildup on the blade. The system utilizes an automatic valve which activates the lubricant flow only when the blade is rotating. The Lube-Mizer control switches allow you to adjust the volume of lubricant for various wood types. The Lube-Mizer option uses less volume than the standard Water Lube, helping to reduce lubricant/sawdust mess and waste, and to prevent stained boards.

Usual flow will be between .07 and 2.5 gallons (2.6 - 9.5 liters) per hour.

1. To start the self-priming system,
  - Open the water lube bottle valve all the way.
  - Push the Blade-On button on the control box to start the blade.
  - Turn the lube control switch to PULSE<sup>1</sup> and set the lube dial to the desired flow rate. Use the lowest setting that successfully eliminates pitch buildup.

**NOTE:** Softwood applications will usually require more lubricant than hardwood applications.

2. Cut the material as normal.
3. To shut off the lube,
  - Turn the lube control switch to OFF.
  - Close the lube bottle valve all the way.

---

1.Pulse is suitable for most cutting applications. Continuous delivers a steady stream of lubricant and should be used only for heavy pitch buildup or occasional blade cleaning.

See Figure 8. The lube controls are shown in the following graphic.

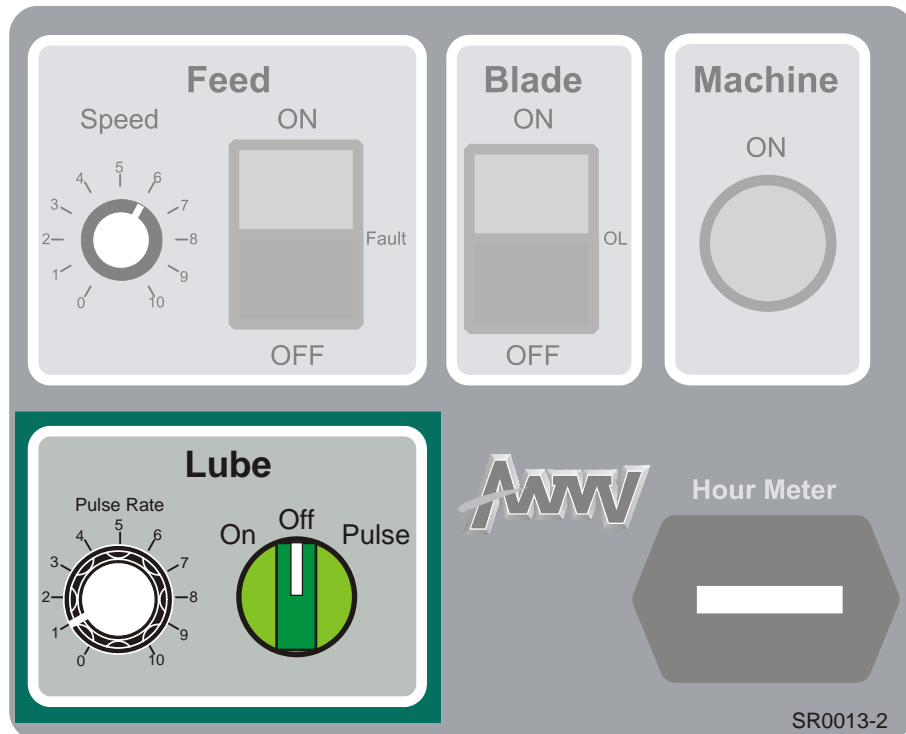


FIGURE 8

4. If you are sawing or storing the resaw in freezing temperatures, use windshield washer fluid to help prevent the water from freezing



**CAUTION!** Add windshield washer fluid to the water tank and prime as recommended when sawing or storing the resaw in below-freezing temperatures. Use windshield washer fluid with a freezing point of at least -20°F (-29°C). Failure to do so will cause damage to the Lube-Mizer system may result.

For further benefits, add one 12oz. bottle of Wood-Mizer Lube Additive to a 5 gallon jug of water. Wood-Mizer Lube Additive enables some previously impossible timbers to be cut by significantly reducing resin buildup on the blade. It helps to reduce heat buildup, wavy cuts, and blade noise. This biodegradable and environmentally friendly pre-mix includes a water softener additive, so it works with hard water.



**WARNING!** Use ONLY water, Wood-Mizer Lube Additive or windshield washer fluid with the water lube accessory. Never use flammable fuels or liquids such as diesel fuel. If these types of liquids are necessary to clean the blade, remove it and clean with a rag. Failure to do so can damage the equipment and may result in serious injury or death.

**See Table 1.** Use windshield washer fluid as an antifreeze to prevent the water from freezing and damaging the Lube-Mizer system. See the chart below for recommended mixture levels depending on the temperature where you are sawing or storing the resaw.

Run the Lube-Mizer system on the “Continuous” setting for 30 seconds after adding the windshield washer fluid to the system. This will insure the water throughout the system will not freeze and damage the check valves.

Ratio WWF <sup>a</sup> :Water to fill 5 Gal. tank	Freezing Point Of Solution	
	(°F)	(°C)
5:0	-22	-30
4:1	-3	-19
3:2	7	-14
2.5:2.5	13	-10
1:4	24	-4
0:5	32	0

**TABLE 1**

a.WWF = Windshield Washer Fluid with -20°F (-29°C) freezing point.

## Maintenance

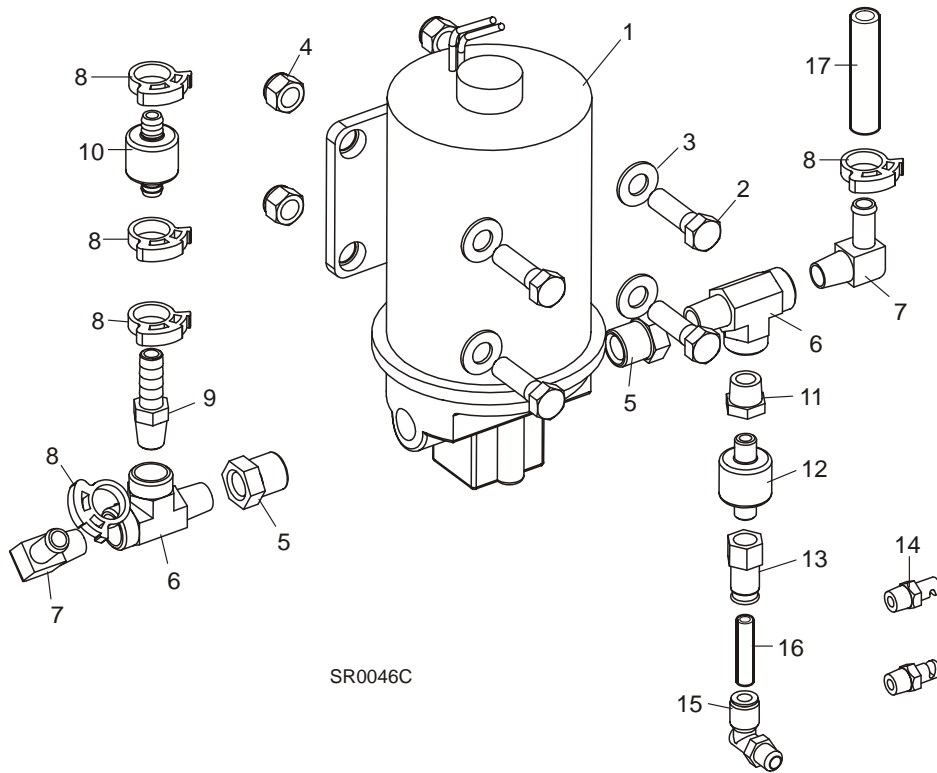


**DANGER!** Hazardous voltage inside the electric control box and at the motor can cause shock, burns, or death. Disconnect and lock out power supply before servicing! Keep all electrical component covers closed and securely fastened during resaw operation.



Periodically check lube hoses and lines for buildup. Remove and flush with water as needed.

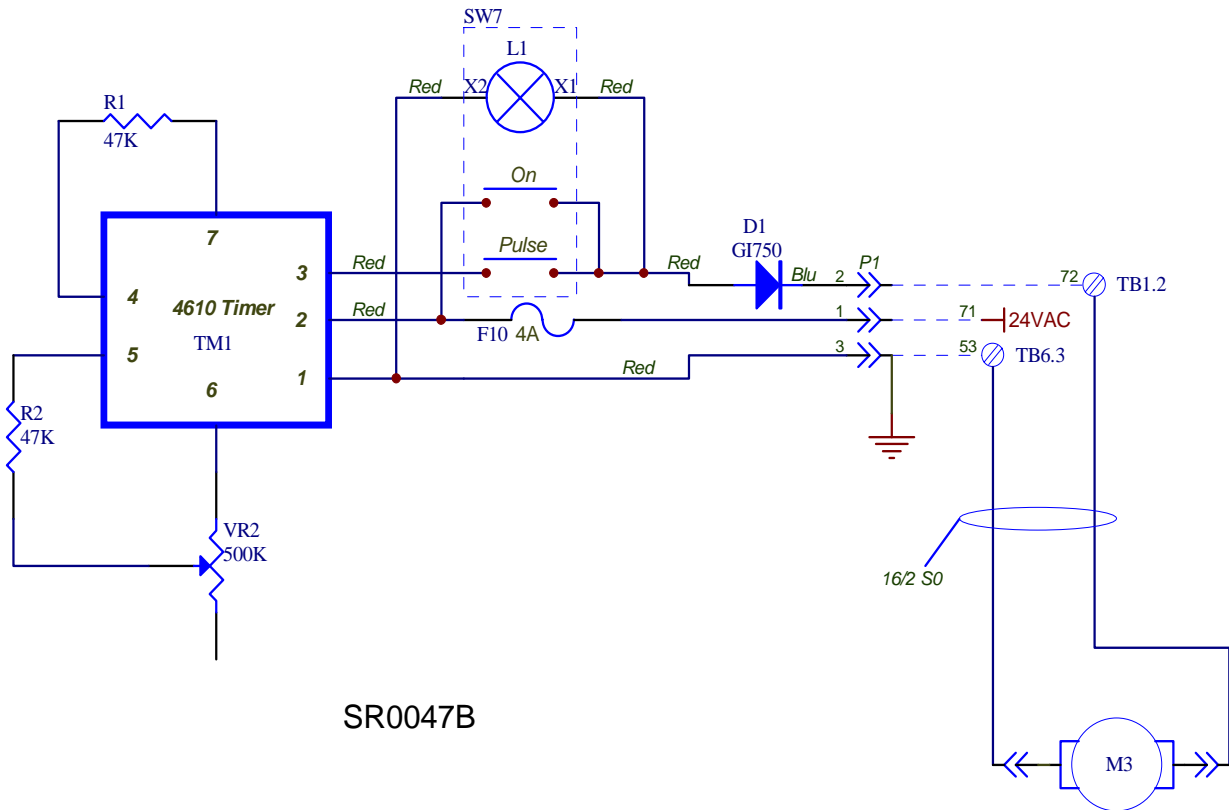
# Replacement Parts



REF	DESCRIPTION (◆ Indicates Parts Available In Assemblies Only)	PART #	QTY.
	<b>LUBE-MIZER OPTION, FIELD-INSTALLED SHR</b>	LMS-SHR	1
	Pump Assembly, SHR LubeMizer	038563	1
<b>1</b>	Pump Assembly, Lube	050029	1
<b>2</b>	Bolt, 3/8-16 x 1 1/4" Hex Head Grade 5	F05007-123	4
<b>3</b>	Washer, 3/8" Flat SAE	F05011-3	4
<b>4</b>	Nut, 3/8-16 Hex Nylon Lock	F05010-10	4
<b>5</b>	Fitting, 3/8" NPT-1/4" NPT Reducer	015490	2
<b>6</b>	Fitting, 1/4" NPT x 1/4" JIC Male Run Tee	P09141	2
<b>7</b>	Fitting, 1/4" NPT x 3/8" Hose Barb, Elbow	016330	2
<b>8</b>	Clamp, Single Snap Grip, #38	016845	5
<b>9</b>	Fitting, 1/4" NPT-3/8" Barb	014685	1
<b>10</b>	Valve, 3/8" Barb 6PSI Check	033448	1
<b>11</b>	Reducer, 1/4" NPT TO 1/8" NPT	P22680	1
<b>12</b>	Valve, 1/8" NPT 3PSI Check	033449	1
<b>13</b>	Fitting, 1/4" TB x 1/8" NPT Male Air	033450	1
<b>14</b>	Fitting, Blade Lube Spray	033479	2
<b>15</b>	Fitting, 1/4" NPT x 1/4" Tube Swivel Elbow	P09736	1
<b>16</b>	Tubing, 1/4" Air	R01869	2 ft.
<b>17</b>	Tubing, 3/8" ID Flex PVC Braided	R01885-1	2.75 ft.
	Control Assembly, SHR LubeMizer	052615	1

# Electrical Schematic

## Lube-Mizer Option (SHR)



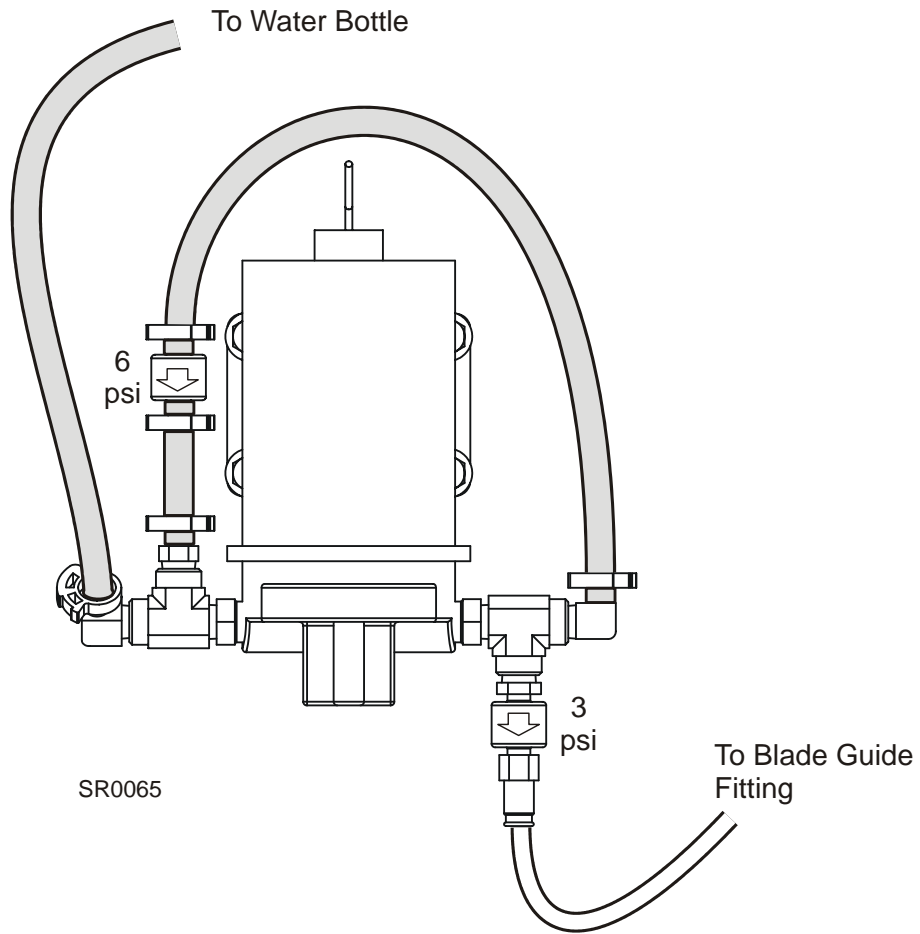
SR0047B

SYMBOL DIAGRAM

## Electrical Component List

Component	Manufacturer Part No.	Manufacturer	Wood-Mizer Part No.	Description
TM1	4610A-4-1-A	Artisan Controls	052614	Timer Control, Repeat Cycle 24VAC 5 A
D1	---	---	052616	Diode Assembly, SHR Lube
F10	F997-ND	Littlefuse	024150-4	Fuse, 4A ATO Blade Pink
M3	050029	Wood-Mizer	050029	Pump Assembly, Lube
R1, R2	---	---	024591	Resistor Assembly, 47K Yellow Lube Timer
SW7	ZB5AW0B33	Square D	052612	Switch Body, 22mm Green LED 2NO 24V
	ZB5AK1333	Square D	052613	Switch Head, 22mm Illum Green Selector
VR2	024590	Wood-Mizer	024590	Potentiometer Assembly, Lube-Mizer Control

# Plumbing Diagram



**PLUMBING DIAGRAM**