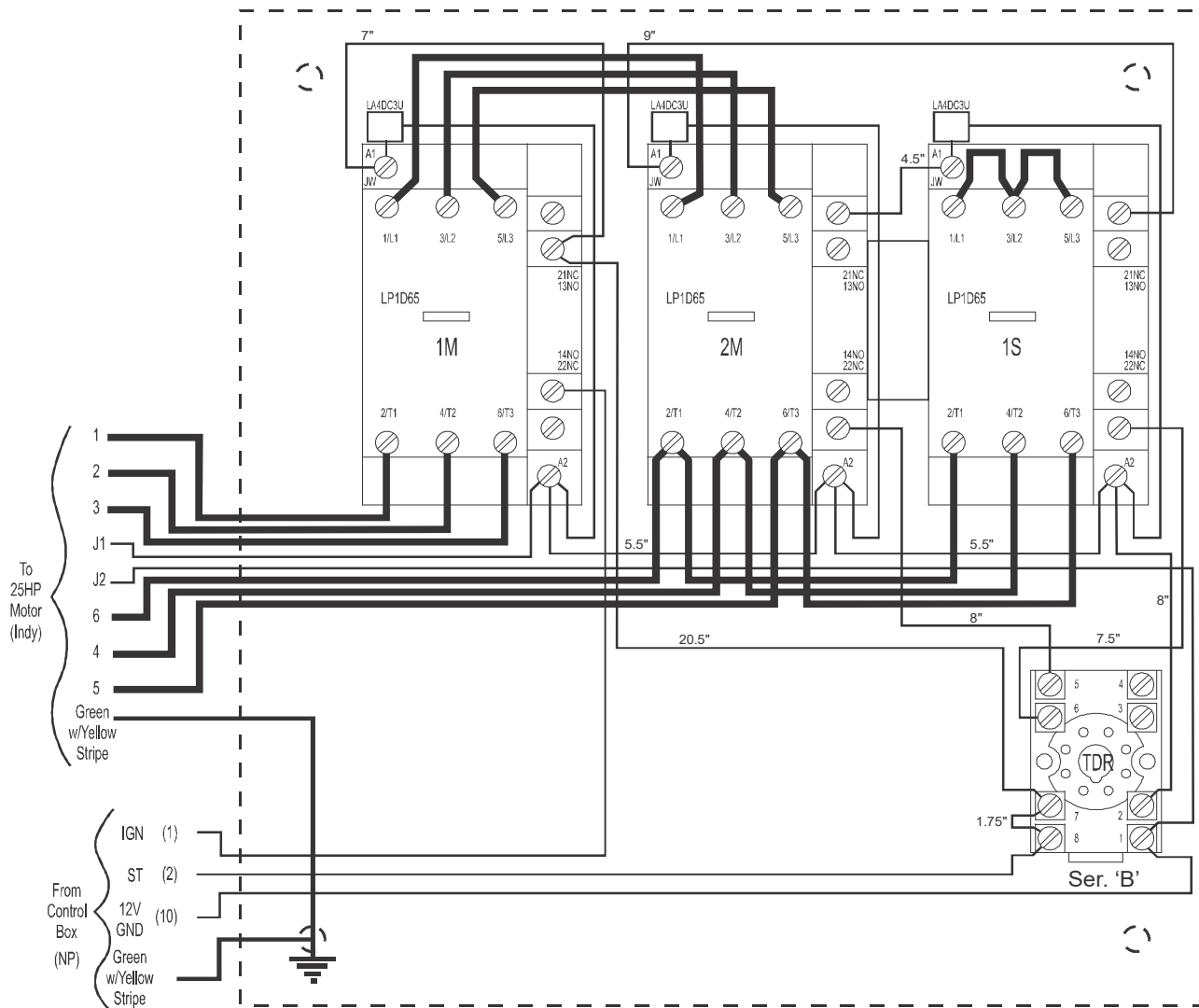


FORM 752 E25 Y-DELTA CONTROL WIRING DIAGRAMS

For Controls Equipped with Series 'B' Timer Relay

Wood-Mizer Part # 014399 **ONLY**

(prior to LT30 Super Rev. H9.02,
LT40 Super Rev. J1.02,
LT30HD/40HD Super Rev. J5.02)
See next page for later revisions.



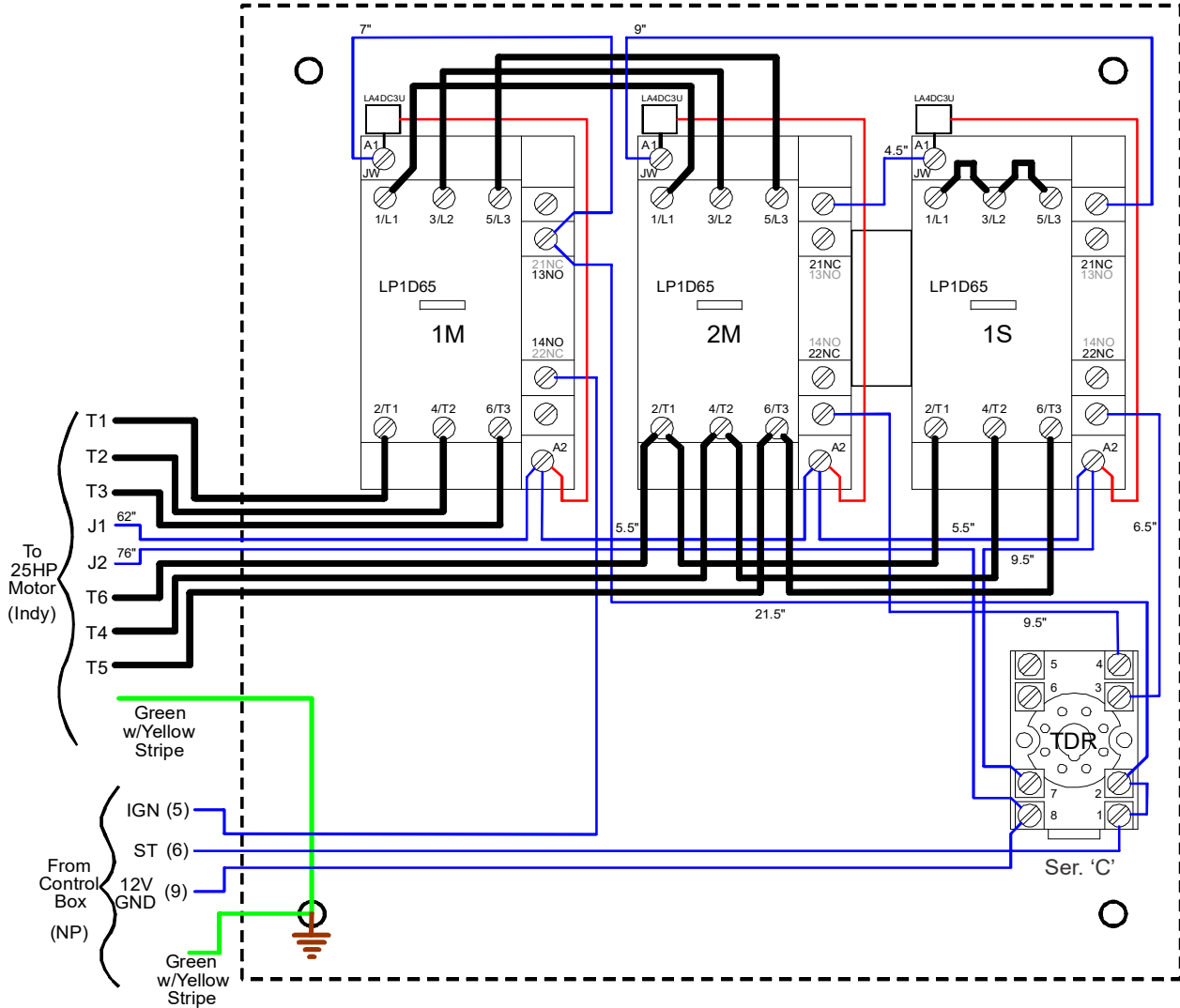
DANGER! This wiring diagram for in-house reference for assembly of 014399 ONLY. Make sure all electrical installation, service and/or maintenance is performed by a qualified electrician and is in accordance with applicable electrical codes

For Controls Equipped with Series 'C' Timer Relay & panel mounted Contactors

Wood-Mizer Part # 014399 Rev. E-F **ONLY**

(LT30 Super Rev. H9.02-J3.08,
 LT40 Super Rev. J1.02-J7.05,
 LT30HD/40HD Super Rev. J5.02-K3.05,
 LT50HD Rev. A1.01-A5.04)

See previous page for prior revisions or next page for later revisions.



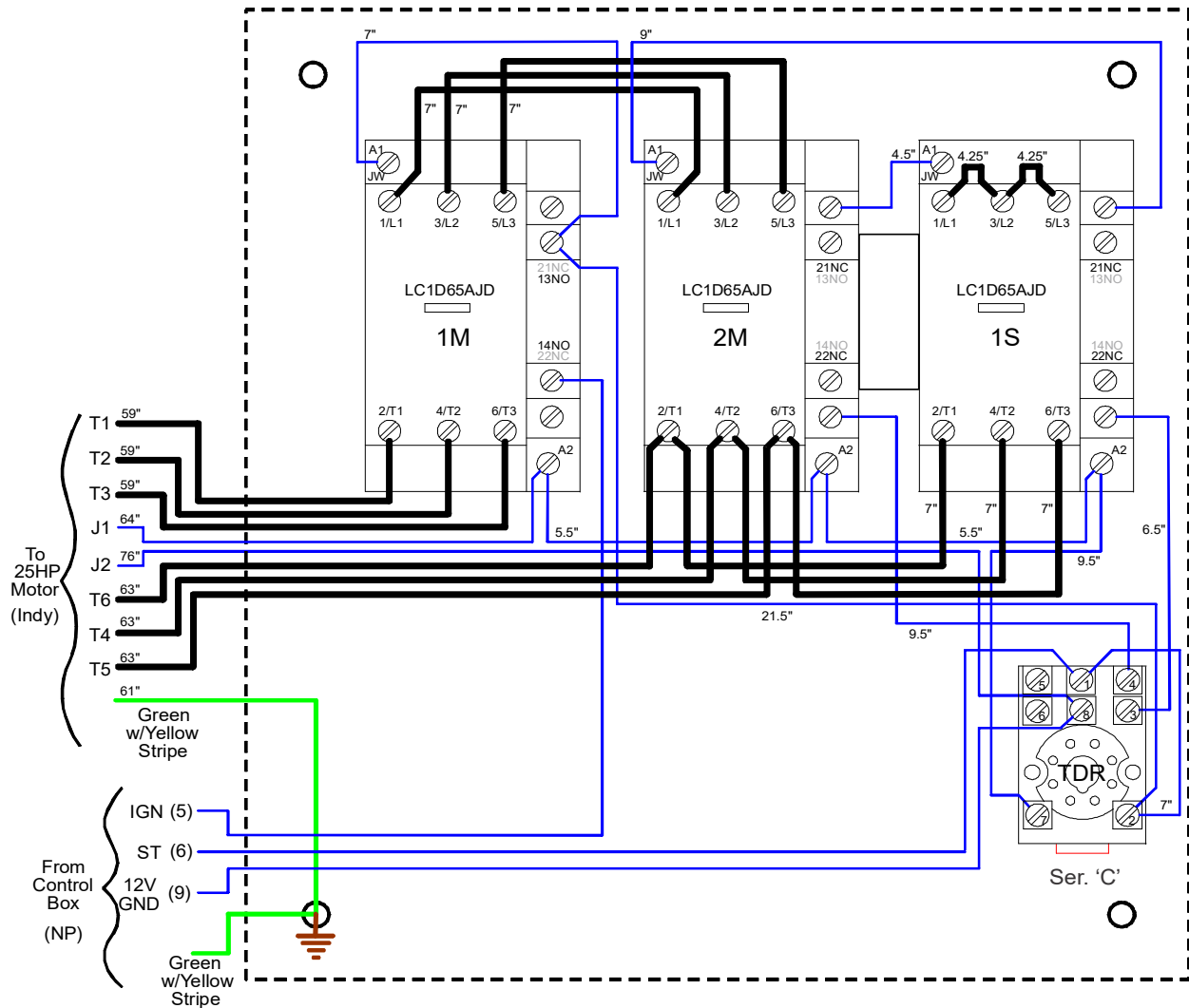
⚠ DANGER! This wiring diagram for in-house reference for assembly of 014399 ONLY. Make sure all electrical installation, service and/or maintenance is performed by a qualified electrician and is in accordance with applicable electrical codes

For Controls Equipped with DIN rail mounted Contactors

Wood-Mizer Part # 014399 Rev. G **ONLY**

(2011+ LT40 Super Rev. J7.05+,
LT40HD Super Rev. K3.05+,
LT50HD Rev. A5.04+)

See previous page for prior revisions.



⚠ DANGER! This wiring diagram for in-house reference for assembly of 014399 ONLY. Make sure all electrical installation, service and/or maintenance is performed by a qualified electrician and is in accordance with applicable electrical codes

E25 Y-Delta Control Assy Wiring Diagram
Wood-Mizer Part # 014399 Revision G

