

S11753

WARNING




STOP!
Always wear eye protection when operating this machine. Failure to do so may result in serious injury.

W032533-01 © 2014 Husqvarna AB. Husqvarna AB 2014. All rights reserved.

016402

WARNING



STOP!
Read and understand operator's instructions before setting up, operating or maintaining this machine. Failure to do so may result in injury, death or equipment damage.

W016402-01 © 2014 Husqvarna AB. Husqvarna AB 2014. All rights reserved.

3H1094-1

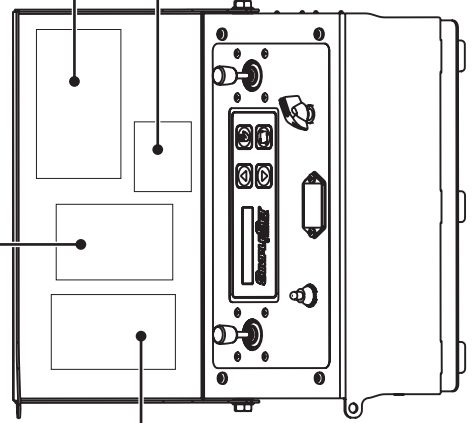
WARNING



USE BOTH HANDS!
Grasp the handle with both hands when operating the blade tensioner. Failure to do so may result in injury.

W049367-01 © 2014 Husqvarna AB. Husqvarna AB 2014. All rights reserved.

049367




CAUTION

Do not try to force the saw head forward in upper and lower positions. Damage to the machine system may result.

W011762-01 © 2014 Husqvarna AB. Husqvarna AB 2014. All rights reserved.

S11762

WARNING



Crush Hazard
Always put front and rear cutting head from the rest position. Failure to do so may result in serious injury.

W015400-01 © 2014 Husqvarna AB. Husqvarna AB 2014. All rights reserved.

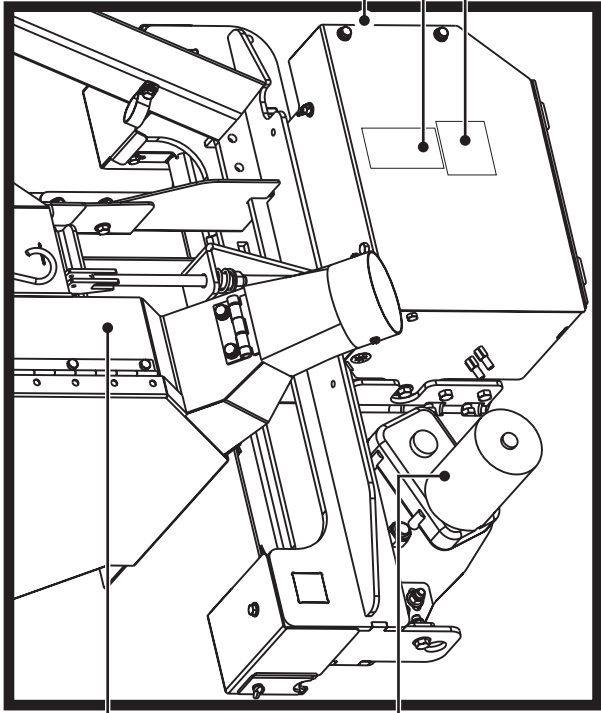
015400

P11754

WARNING

Dust And Projectile
 Failure to use dust extraction equipment, inspect projectile equipment, fingers of the sawmill, keep sawmill clean, failure to do so may result in serious injury.

WOOD-MIZER, INC. - REFER TO P11754



P12960

CAUTION

Avoid allowing cables to be pulled or twisted when not being operated. Battery draining may result!

WOOD-MIZER, INC. - REFER TO P12960

WARNING

Disconnect motor leads from power source to motor terminals. Failure to do so may result in serious injury and will damage the electrical system.

WOOD-MIZER, INC. - REFER TO P12960

024431

014419

WARNING

Burn Hazard
 Avoid contact with any part of hot engine. Failure to do so may result in serious injury.

WOOD-MIZER, INC. - REFER TO P14419

CAUTION

Failure to remove sawdust buildup from the battery box lid and/or track rail cover could result in damage to these parts when they are returned to its lowest position.

WOOD-MIZER, INC. - REFER TO P14774

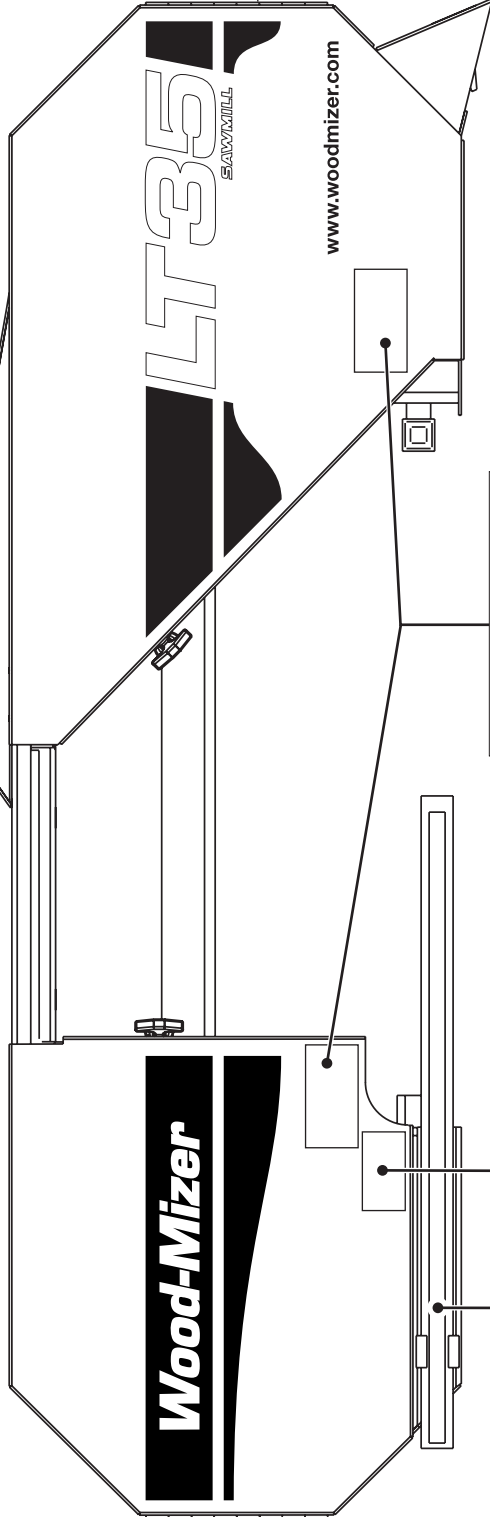
014774

WARNING

12-Volt Electrical System
 Disconnect the negative terminal of the battery before performing any electrical work. Failure to do so may result in fire or an electrical system damage. See complete safety instructions.

WOOD-MIZER, INC. - REFER TO P10364

P10364



3H1094-2

DANGER

Moving Parts Can Crush And Cut.
 Make sure all guards and covers are in place and secure before operating this machine. Failure to do so may result in serious injury.

WOOD-MIZER, INC. - REFER TO P11754

033254

DANGER

Moving bandsaw blade will cut.
 Keep hands away. Failure to do so will result in serious injury.

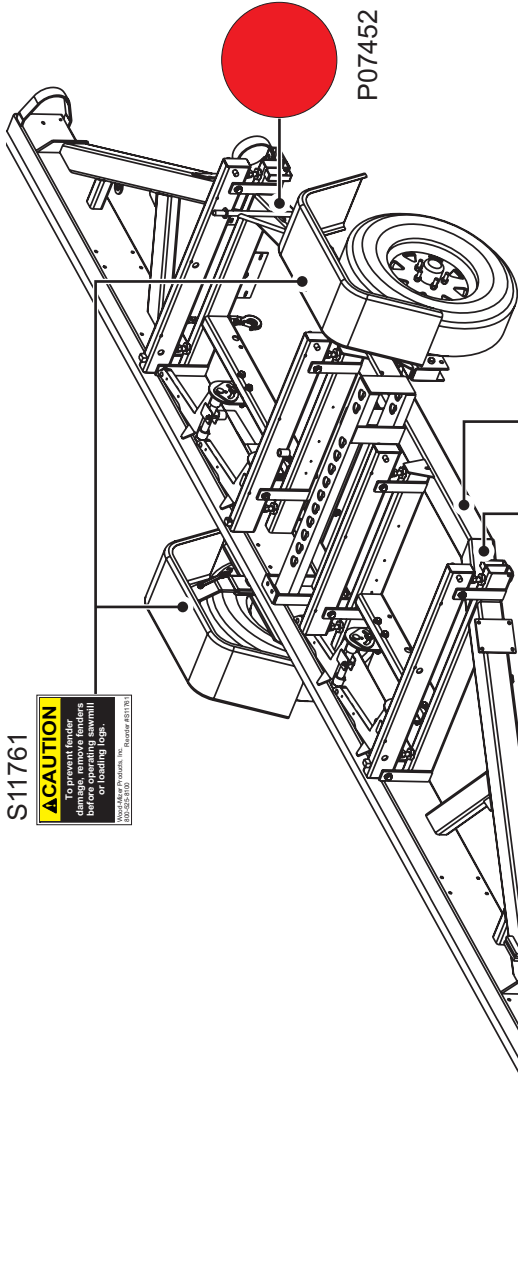
WOOD-MIZER, INC. - REFER TO P11752

S11752



S11761

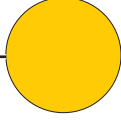
CAUTION
To prevent fender damage, remove fenders before operating sawmill on loading logs.



P07452

DANGER
To Avoid Injury:
Keep all persons out of the path of moving equipment and logs when operating sawmill or loading or turning logs.
Failure to do so will result in serious injury.

S09851

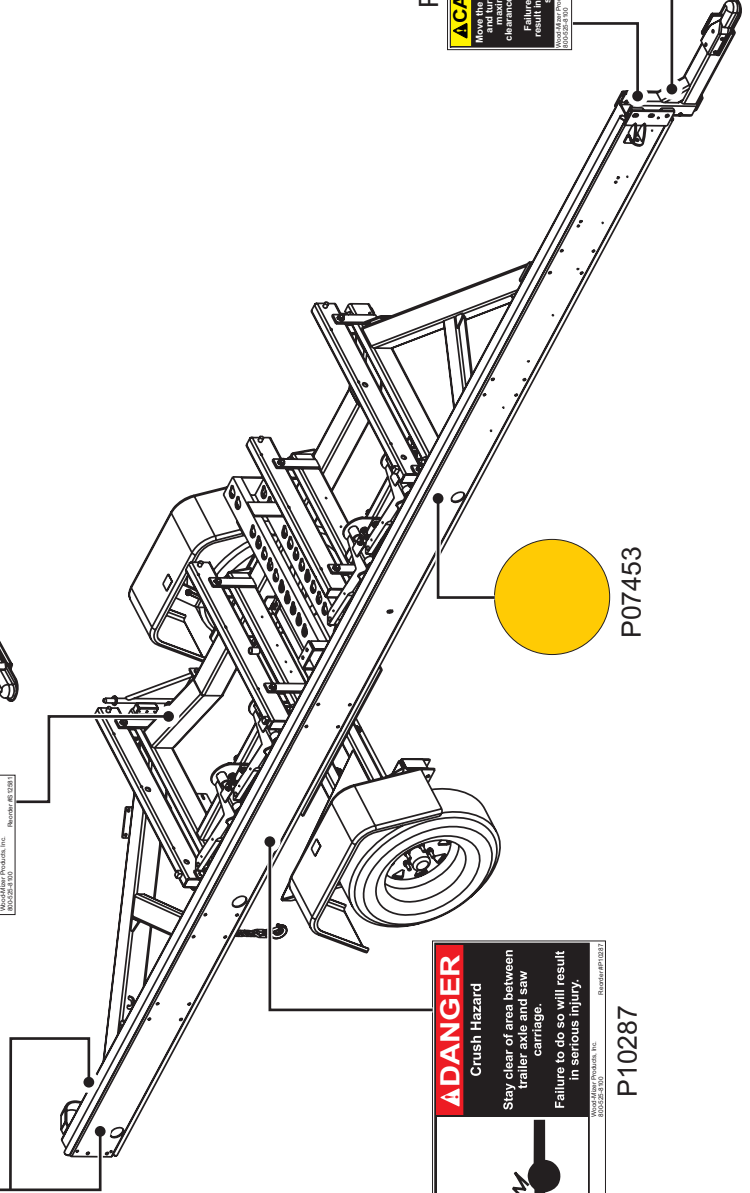
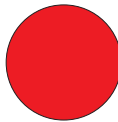


P07453

CAUTION
Lower the saw head onto the rest pin until it contacts the rest pin. Do not lower the rest pin further to ensure the saw head cannot be dislodged from the rest pin.
Failure to properly secure the saw head can result in severe machine damage.

S12581

P07452



P07453

P11809

CAUTION
Always ensure the sawmill is on a maximum ground clearance for towing. An uneven ground surface may result in damage to the sawmill.

3H1094-3

DANGER
Crush Hazard
Stay clear of area between trailer axle and saw carriage.
Failure to do so will result in serious injury.

P10287

WARNING
Towing Safety
Make sure all brake and lights are working before towing the sawmill. Make sure the battery is charged and working properly before towing the sawmill.
Failure to do so may result in serious injury.

014106