

Dear Wood-Mizer Owner:

Thank you for recognizing the importance of sawmill safety and placing the same high priority on safety as does Wood-Mizer.

As requested, we have enclosed a set of safety decals for your sawmill. Wood-Mizer encourages you to review each label as you place them on your sawmill. In addition, we have enclosed the updated Safety Section from the current manual for your model mill.

In closing, Wood-Mizer will continue to strive to offer the safest portable sawmills in the industry. Your safety is our main concern.

Sincerely,

A handwritten signature in blue ink that reads "Jim Brown". The signature is written in a cursive style with a large, looping initial "J".

Jim Brown
Vice President of Customer Service

SAFETY

Safety Symbols

The following symbols and signal words call your attention to instructions concerning your personal safety. Be sure to observe and follow these instructions.



DANGER! indicates an imminently hazardous situation which, if not avoided, will result in death or serious injury.



WARNING! suggests a potentially hazardous situation which, if not avoided, could result in death or serious injury.



CAUTION! refers to potentially hazardous situations which, if not avoided, may result in minor or moderate injury or damage to equipment.



IMPORTANT! indicates vital information.

NOTE: gives helpful information.



Warning stripes are placed on areas where a single decal would be insufficient. To avoid serious injury, keep out of the path of any equipment marked with warning stripes.

Safety Instructions

NOTE: ONLY safety instructions regarding personal injury are listed in this section. Caution statements regarding only equipment damage appear where applicable throughout the manual.

OBSERVE SAFETY INSTRUCTIONS



IMPORTANT! Read the entire Operator's Manual before operating the sawmill. Take notice of all safety warnings throughout this manual and those posted on the machine. Keep this manual with this machine at all times, regardless of ownership.

Also read any additional manufacturer's manuals and observe any applicable safety instructions including dangers, warnings, and cautions.

Only persons who have read and understood the entire operator's manual should operate the sawmill. The sawmill is not intended for use by or around children.

IMPORTANT! It is always the owner's responsibility to comply with all applicable federal, state and local laws, rules and regulations regarding the ownership, operation and towing of your Wood-Mizer sawmill. All Wood-Mizer mill owners are encouraged to become thoroughly familiar with these applicable laws and comply with them fully while using or towing the mill.

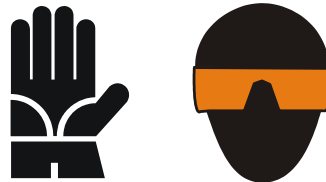


WEAR SAFETY CLOTHING



WARNING! Secure all loose clothing and jewelry before operating the sawmill. Failure to do so may result in serious injury or death.

WARNING! Always wear gloves and eye protection when handling bandsaw blades. Changing blades is safest when done by one person! Keep all other persons away from area when coiling, carrying or changing a blade. Failure to do so may result in serious injury.



WARNING! Always wear eye, ear, respiration, and foot protection when operating or servicing the sawmill.



KEEP SAWMILL AND AREA AROUND SAWMILL CLEAN



DANGER! Maintain a clean and clear path for all necessary movement around the mill and lumber stacking areas. Failure to do so will result in serious injury.

HANDLE FUEL/LUBRICANTS SAFELY



DANGER! Due to the flammable nature of fuel and oil, never smoke, weld, grind or allow sparks near your engine or storage tanks, especially during times of fueling.

DANGER! Never allow fuel to spill on a hot engine during fueling operations or otherwise. The hot temperature of your engine could induce a fire or explosion.



WARNING! Store gasoline away from sawdust and other flammable materials. Failure to do so may result in serious injury.



WARNING! Use ONLY water with the water lube accessory. Never use flammable fuels or liquids. If these types of liquids are necessary to clean the blade, remove it and clean with a rag. Failure to do so may result in serious injury or death.

WARNING! Drum switch grease contains Petroleum Hydrocarbon Lubricant. Eye and skin irritant. If introduced into eyes, flush with water for at least 15 minutes. If film or irritation persists, seek medical attention. Wash skin with soap and water. If ingested, do not induce vomiting - contact a physician. **KEEP OUT OF THE REACH OF CHILDREN.**

DISPOSE OF SAWING BY-PRODUCTS PROPERLY



IMPORTANT! Always properly dispose of all sawing by-products, including sawdust and other debris, coolant, oil, fuel, oil filters and fuel filters.

USE CAUTION WHEN WORKING WITH BATTERIES



DANGER! Batteries expel explosive gases. Keep sparks, flames, burning cigarettes, or other ignition sources away at all times. Always wear safety goggles and a face shield when working near batteries. Failure to do so will cause serious injury.¹



WARNING! Battery posts, terminals and related accessories contain lead and lead compounds, chemicals known to the State of California to cause cancer and reproductive harm. Wash hands after handling.



WARNING! Charge the battery in a well ventilated area. Do not attempt to charge a frozen battery.

Use extreme care to avoid spilling or splashing electrolyte (which is dilute sulfuric acid) as it can destroy clothing and burn the skin. If electrolyte is spilled or splashed on clothing or the body, it should be neutralized immediately and then rinsed with clean water. A solution of baking soda, or household ammonia, and water may be used as a neutralizer.

Electrolyte splashed into the eyes is extremely dangerous. If this should happen, force the eye open and flood it with cool, clean water for approximately fifteen minutes. A doctor should be called immediately when the accident occurs and “on-the-spot” medical attention given if possible. If a doctor cannot come to the scene of the accident immediately, follow his instructions concerning actions to take. Do not add eye drops or other medication unless advised to do so by the doctor. Do not place a battery or acid within the reach of children. If acid (electrolyte) is taken internally drink large quantities of water or milk. Follow with milk of magnesia, beaten egg or vegetable oil. Call a physician immediately.

If electrolyte is spilled or splashed on any surface of the machine, it should be neutralized and rinsed with clean water.



CAUTION! Do not overcharge the battery. Overcharging may reduce the overall service life of the battery.

CAUTION! Be sure the battery is fully charged before transporting the sawmill. If the battery is not fully charged, excessive vibration could reduce the overall service life of the battery.

1. Battery Council International, copyright 1987

CAUTIONS FOR SAWMILL SETUP



WARNING! Do not set up the mill on ground with more than a 10 degree incline. If setup on an incline is necessary, put blocks under one side of the mill or dig out areas for the outrigger legs to keep mill level. Setting up the mill on an incline could cause it to tip over, resulting in serious personal injury.

WARNING! Chock the trailer wheels to prevent movement before unhitching it from the towing vehicle. Failure to do so may result in serious injury or death.

WARNING! Put front outrigger down before moving saw head from the rest position. Failure to do so may result in serious injury.

WARNING! Always make sure the trailer is supporting the sawmill frame when operating a sawmill with adjustable outriggers. Failure to do so may result in serious injury or death. The adjustable outriggers are intended to support the saw frame with assistance from the trailer.

WARNING! The adjustable outriggers supplied with portable sawmills are not intended for setup on concrete or other hard surfaces. Long-term use of the adjustable outriggers on hard surfaces may cause the outriggers to fail, causing the sawmill to drop. This could result in possible serious injury or death.

If setting the sawmill up on concrete or other hard surface, replace the adjustable outrigger legs with stationary legs.

WARNING! Securely fasten the feet of a stationary sawmill to the floor before operating the sawmill. Failure to do so may result in serious injury or death.

CHECK SAWMILL BEFORE OPERATION



DANGER! Make sure all guards and covers are in place and secured before operating or towing the sawmill. Failure to do so may result in serious injury.


Be sure the blade housing and pulley covers are in place and secure. Use the safety retainer pin and cable to fasten blade housing covers.



1 Safety

Safety Instructions

KEEP PERSONS AWAY

 **DANGER!** Stay clear of the area between the trailer axle and saw carriage. Failure to do so will result in serious injury.



DANGER! Keep all persons out of the path of moving equipment and logs when operating sawmill or loading and turning logs. Failure to do so will result in serious injury.

DANGER! Always be sure the blade is disengaged and all persons are out of the path of the blade before starting the engine or motor. Failure to do so will result in serious injury.

KEEP HANDS AWAY



DANGER! Always disengage the blade and shut off the sawmill engine before changing the blade. Failure to do so will result in serious injury.

DANGER! Engine components can become very hot during operation. Avoid contact with any part of a hot engine. The exhaust components of your engine are especially hot during and following operation. Contact with hot engine components can cause serious burns. Therefore, never touch or perform service functions on a hot engine. Allow the engine to cool sufficiently before beginning any service function.

DANGER! Always keep hands away from moving bandsaw blade. Failure to do so will result in serious injury.

DANGER! Always be aware of and take proper protective measures against rotating shafts, pulleys, fans, etc. Always stay a safe distance from rotating members and make sure that loose clothing or long hair does not engage rotating members resulting in possible injury.



WARNING! Do not spin the blade wheels by hand. Spinning the blade wheels by hand may result in serious injury.

WARNING! Always disengage the clutch/brake mechanism whenever the sawmill is not cutting. Failure to do so may result in serious injury.

WARNING! Do not for any reason adjust the engine drive belts or belt support bracket with the engine running. Doing so may result in serious injury.

WARNING! Always keep clear of exiting sawdust. Keep hands, feet and any other objects away from the sawdust chute when operating sawmill. Failure to do so may result in serious injury.

CAUTIONS FOR GAS OR DIESEL ENGINE OPERATION



DANGER! Operate your engine/machine only in well ventilated areas. The exhaust gases of your engine can cause nausea, delirium and potentially death unless adequate ventilation is present.

DANGER! Never operate an engine with a fuel or oil leak. The leaking fuel or oil could potentially come in contact with hot surfaces and ignite into flames.

WARNING! Do not operate engine without proper and operational spark arrester/muffler. Sparks emitted from the engine exhaust could ignite surrounding materials, causing serious injury or death.

USE PROPER PROCEDURE WHEN CONDUCTING ELECTRICAL SAFETY CHECKS AND MAINTENANCE



DANGER! Make sure all electrical installation, service and/or maintenance work is performed by a qualified electrician and is in accordance with applicable electrical codes.

DANGER! Hazardous voltage inside the electric sawmill disconnect box, starter box, and at the motor can cause shock, burns, or death. Disconnect and lock out power supply before servicing! Keep all electrical component covers closed and securely fastened during mill operation.



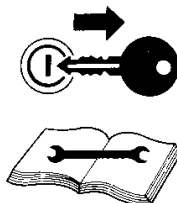
WARNING! Consider all electrical circuits energized and dangerous.

WARNING! Disconnect the negative battery terminal cable before performing any service to the 12-Volt electrical system. Failure to do so may result in injury and/or electrical system damage.

WARNING! Never assume or take the word of another person that the power is off; check it out and lock it out.

WARNING! Do not wear rings, watches, or other jewelry while working around an open electrical circuit.

WARNING! Before performing service near moving parts such as blades, pulleys, motors, belts and chains, first turn the key switch to the OFF (#0) position and remove the key. If the key is turned on and moving parts activated, serious injury may result.



WARNING! Remove the blade before performing any service to the engine or sawmill. Failure to do so may result in serious injury.

DANGER! Lockout procedures must be used during:

- Changing or adjusting blades
- Unjamming operations
- Cleaning
- Mechanical repair
- Electrical maintenance
- Retrieval of tools/parts from work area
- Activities where guards or electrical panel guard is open or removed

Maintenance hazards include:

- Blade contact
- Pinch points
- Kickbacks
- Missiles (thrown blades/wood chips)
- Electrical

Failure to lockout may result in:

- Cut
- Crush
- Blindness
- Puncture
- Serious injury and death
- Amputation
- Burn
- Shock
- Electrocution

To control maintenance dangers:

Lockout procedures must be followed (see ANSI Standard Z244.1-1982 and OSHA regulation 1910.147).

Never rely on machine stop control for maintenance safety (emergency stops, on/off buttons, interlocks).

Do not reach into moving blades or feed systems. Allow all coasting parts to come to a complete stop.

Electrical power supply and air supply must both be locked out.

Where established lockout procedures cannot be used (electrical troubleshooting or mechanical dynamic troubleshooting), alternative effective protective techniques shall be employed which may require special skills and planning.

Always follow safe operations practices in the workplace.

SAWMILL LOCKOUT PROCEDURE

Lockout procedures must be followed (see ANSI Standard Z244.1-1982 and OSHA regulation 1910.147).

Purpose:

This procedure establishes the minimum requirements for lockout of energy sources that could cause injury.

Responsibility:

The responsibility for seeing that this procedure is followed is binding upon all workers. All workers shall be instructed in the safety significance of the lockout procedure. It is your responsibility to ensure safe operation of the machine.

Preparation For Lockout:

Sawmill must be locked out both electrically and pneumatically (lockout air valve).

Sequence of Lockout Procedure:

1. Notify all persons that a lockout is required and the reason therefore.
2. If the Sawmill is operating, shut it down by the normal stopping procedure.
3. Operate the switch and valve so that the energy sources are disconnected or isolated from the Sawmill. Stored energy such as moving blades, feed system and air pressure shall be dissipated.
4. Lockout the energy isolating devices with assigned individual locks.
5. After ensuring that no persons are exposed and as a check on having disconnected the energy sources, operate the push button or other normal operating controls to make certain the Sawmill will not operate. Caution: Return operating controls to neutral position after the test.
6. The Sawmill is now locked out.

Restoring Equipment to Service

1. When the job is complete and the Sawmill is ready for testing or normal service, check the Sawmill area to see that no one is exposed.
2. When the Sawmill is all clear, remove all locks. The energy isolating devices may be operated to restore energy to the Sawmill.

Procedure Involving More Than One Person

In the preceding steps, if more than one individual is required to lock out the Sawmill, each shall place his own personal lock on the energy isolating devices.

Rules for Using Lockout Procedure

The Sawmill shall be locked out to protect against accidental or inadvertent operation when such operation could cause injury to personnel. Do not attempt to operate any switch or valve bearing a lock.

Owner's Responsibility

The procedures listed in this manual may not include all ANSI, OSHA, or locally required safety procedures. It is the owner/operator's responsibility and not Wood-Mizer Products to ensure all operators are properly trained and informed of all safety protocols. Owner/Operators are responsible for following all safety procedures when operating and performing maintenance to the Sawmill.

KEEP SAFETY LABELS IN GOOD CONDITION



IMPORTANT! Always be sure that all safety decals are clean and readable. Replace all damaged safety decals to prevent personal injury or damage to the equipment. Contact your local distributor, or call your Customer Service Representative to order more decals.



IMPORTANT! If replacing a component which has a safety decal affixed to it, make sure the new component also has the safety decal affixed.

USE CAUTION WHEN WORKING WITH HEAVY LOGS



WARNING! Always make sure log is clamped securely before sawing. Failure to do so may result in serious injury or death.

WARNING! Always leave hydraulic loading arm halfway up while log is on sawmill bed. Failure to do so may result in serious injury or death.

OPTIONAL BOARD RETURN SAFETY



DANGER! Keep all persons out of the path of returning boards. Failure to do so will result in serious injury.



WARNING! The board return is intended to assist a second operator in removing boards quickly. Do not use the board return when operating the sawmill alone. Serious injury, death or damage to the equipment may result.

WARNING! Never use the board return table as a platform to stand on. This table is designed and intended to assist in the removal of boards only. Standing on the table may result in serious injury.

UP/DOWN SYSTEM SAFETY



WARNING! Always secure the saw head with a 5/16" chain with at least 1900 lbs. working load capacity before adjusting the up/down chain. The saw head may fall, causing severe injury or death.

WARNING! Always secure the saw head with a 5/16" chain with at least 1900 lbs. working load capacity before adjusting the mast pads. The saw head may fall, causing severe injury or death.

WARNING! Always secure the saw head with a 5/16" chain with approximately 1900 lbs. working load capacity before removing the up/down motor belt. The saw head may fall, causing severe injury or death.

POWER FEED SYSTEM SAFETY



DANGER! If leaving the blade engaged for maximum production rates, make sure the off-bearer stays out of the path of the blade. Failure to do so will result in serious injury or death.



WARNING! Be sure the power feed switch is in the neutral position before turning the key switch to the on (#1) or accessory (#3) position. This prevents accidental carriage movement which may cause serious injury or death.

GENERAL TRAILER SAFETY



DANGER! Make sure your hitch has adequate safety chain hook-ups. Do not use eyebolts for safety chain hook-up. Safety chains should be hooked to bumper of vehicle so that each chain would pull the trailer equally in the event the hitch became disengaged. Failure to do so may result in serious personal injury and/or severe machine damage.

DANGER! Be sure that the hitch and safety chains are secure before towing the sawmill. Failure to do so may result in serious personal injury and/or severe machine damage.

DANGER! Make sure all light connections have been made and are working properly before towing the sawmill. Failure to do so may result in serious personal injury and/or severe machine damage.



WARNING! Always check trailer tires for proper inflation before towing sawmill. Failure to do so may lead to tire failure resulting in property damage and/or serious injury or death.

ADDITIONAL SAFETY FOR ELECTRIC BRAKE TRAILERS



DANGER! Make sure the electric brake wire is secured as close to the trailer axle as possible to prevent wire disconnection during towing. Failure to do so may result in serious personal injury and/or severe machine damage.

DANGER! Be sure electric brake battery is charged and is working properly before towing the sawmill. Failure to do so may result in serious personal injury and/or severe machine damage.

DANGER! Do not use the electric brake system as an “emergency brake” while the sawmill is not being towed. Extended use of the electric brakes while the sawmill is stationary will drain the brake battery.

014419

WARNING

Burn Hazard
Avoid contact with any part of hot engine.
Failure to do so may result in serious injury.

WOODS-CORONA, INC. - MODEL #311754

Wood-Mizer®

Excavator/Mulchmower
Model #311754
Woods-Corona, Inc.
P.O. Box 1000
Muskegon, MI 49765
1-800-828-6841

DANGER READ THE OPERATOR'S MANUAL AND UNDERSTAND ALL SAFETY INSTRUCTIONS BEFORE YOU OPERATE THIS MACHINE.

LEER EL MANUAL DE OPERACIÓN Y CONOZCA TODAS LAS INSTRUCCIONES DE SEGURIDAD ANTES DE OPERAR LA MÁQUINA. LEA Y ENTENDE TODAS LAS INSTRUCCIONES DE SEGURIDAD ANTES DE OPERAR LA MÁQUINA. LEA Y ENTENDE TODAS LAS INSTRUCCIONES DE SEGURIDAD ANTES DE OPERAR LA MÁQUINA. LEA Y ENTENDE TODAS LAS INSTRUCCIONES DE SEGURIDAD ANTES DE OPERAR LA MÁQUINA.



FOR UP HILLSIDE, BLOCK UP FRONT AND REAR WHEELS. FOR DOWN HILLSIDE, BLOCK UP REAR WHEELS. ALWAYS USE THE EXCAVATOR TO EXCAVATE THE UPHILL SIDE.

LOG RULE & LUMBER SCALE

DESIGNATED LENGTH, WIDTH AND THICKNESS OF LOGS FOR THIS MACHINE.
DESIGNATED LENGTH, WIDTH AND THICKNESS OF LOGS FOR THIS MACHINE.
DESIGNATED LENGTH, WIDTH AND THICKNESS OF LOGS FOR THIS MACHINE.

CONTENTS IN BOARD FEET
QUANTITIES BY KIND, MEASURE OF LOGS AND LUMBER

LOGS	BOARD FEET	LOGS	BOARD FEET
10" x 12" x 16'	192	4" x 6" x 16'	384
10" x 12" x 18'	216	4" x 6" x 18'	432
10" x 12" x 20'	240	4" x 6" x 20'	480
10" x 12" x 22'	264	4" x 6" x 22'	528
10" x 12" x 24'	288	4" x 6" x 24'	576
10" x 12" x 26'	312	4" x 6" x 26'	624
10" x 12" x 28'	336	4" x 6" x 28'	672
10" x 12" x 30'	360	4" x 6" x 30'	720
10" x 12" x 32'	384	4" x 6" x 32'	768
10" x 12" x 34'	408	4" x 6" x 34'	816
10" x 12" x 36'	432	4" x 6" x 36'	864
10" x 12" x 38'	456	4" x 6" x 38'	912
10" x 12" x 40'	480	4" x 6" x 40'	960
10" x 12" x 42'	504	4" x 6" x 42'	1008
10" x 12" x 44'	528	4" x 6" x 44'	1056
10" x 12" x 46'	552	4" x 6" x 46'	1104
10" x 12" x 48'	576	4" x 6" x 48'	1152
10" x 12" x 50'	600	4" x 6" x 50'	1200
10" x 12" x 52'	624	4" x 6" x 52'	1248
10" x 12" x 54'	648	4" x 6" x 54'	1296
10" x 12" x 56'	672	4" x 6" x 56'	1344
10" x 12" x 58'	696	4" x 6" x 58'	1392
10" x 12" x 60'	720	4" x 6" x 60'	1440
10" x 12" x 62'	744	4" x 6" x 62'	1488
10" x 12" x 64'	768	4" x 6" x 64'	1536
10" x 12" x 66'	792	4" x 6" x 66'	1584
10" x 12" x 68'	816	4" x 6" x 68'	1632
10" x 12" x 70'	840	4" x 6" x 70'	1680
10" x 12" x 72'	864	4" x 6" x 72'	1728
10" x 12" x 74'	888	4" x 6" x 74'	1776
10" x 12" x 76'	912	4" x 6" x 76'	1824
10" x 12" x 78'	936	4" x 6" x 78'	1872
10" x 12" x 80'	960	4" x 6" x 80'	1920
10" x 12" x 82'	984	4" x 6" x 82'	1968
10" x 12" x 84'	1008	4" x 6" x 84'	2016
10" x 12" x 86'	1032	4" x 6" x 86'	2064
10" x 12" x 88'	1056	4" x 6" x 88'	2112
10" x 12" x 90'	1080	4" x 6" x 90'	2160
10" x 12" x 92'	1104	4" x 6" x 92'	2208
10" x 12" x 94'	1128	4" x 6" x 94'	2256
10" x 12" x 96'	1152	4" x 6" x 96'	2304
10" x 12" x 98'	1176	4" x 6" x 98'	2352
10" x 12" x 100'	1200	4" x 6" x 100'	2400

P11754

WARNING

Dust And Projectile
Inspect projectile caps on all cutting tools before use. Keep hands and feet clear of cutting tools. Failure to do so may result in serious injury.

WOODS-CORONA, INC. - MODEL #311754

033254

DANGER

Moving Parts Can Crush And Cut
Make sure all guards and covers are in place before operating this machine. Failure to do so will result in serious injury.

WOODS-CORONA, INC. - MODEL #311754

ADANGER

Moving bandsaw blades will cut.
Keep hands away. Failure to do so will result in serious injury.

WOODS-CORONA, INC. - MODEL #311754

S11752

CAUTION

Do not try to force the saw blade through material and power travel limits.
Damage to the undown system may result.

WOODS-CORONA, INC. - MODEL #311754

S11753

WARNING

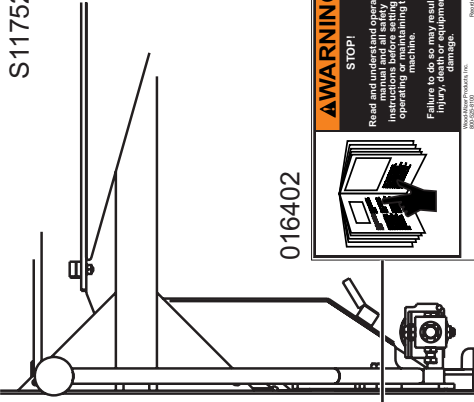
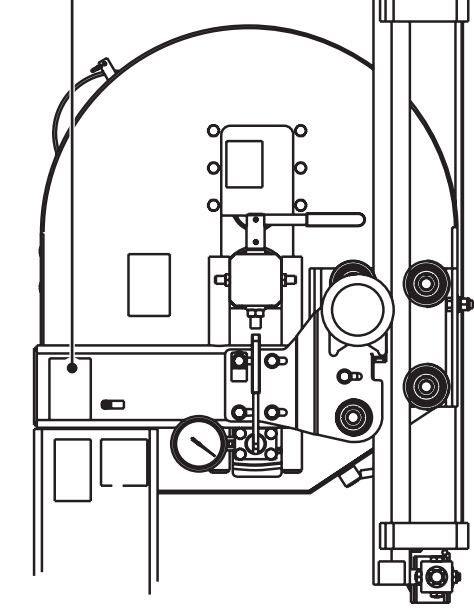
STOP!
Always wear eye, ear, respiration and foot protection when operating this machine. Failure to do so may result in injury.

WOODS-CORONA, INC. - MODEL #311754

CAUTION

Release the blade tension when changing the blade. Failure to do so may result in blade tensioner and loss of fluid from the gauge.

WOODS-CORONA, INC. - MODEL #311754



016402

WARNING

STOP!
Read and understand operator's manual and all safety instructions before operating or maintaining this machine. Failure to do so may result in injury or equipment damage.

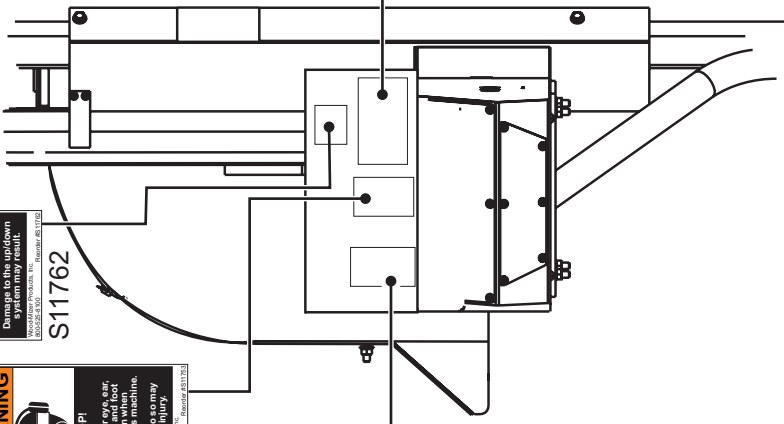
WOODS-CORONA, INC. - MODEL #311754

WARNING

Crush Hazard
Always put front outrigger down before moving the machine to the rest position. Failure to do so may result in serious injury.

WOODS-CORONA, INC. - MODEL #311754

015400



S11761
CAUTION
 To prevent fender damage, do not touch fender before operating sawmill or loading logs.
WOODWORKERS PRODUCTS, INC. P/N: 0012581

P07452

ADANGER
 To Avoid Injury:
 Keep all persons out of the path of moving equipment and logs when operating sawmill or loading or turning logs. Failure to do so will result in serious injury.
WOODWORKERS PRODUCTS, INC. P/N: 0012581

S09851

P07453

P11809
CAUTION
 Move the hydraulic clamp and turner to provide clearance before towing. Failure to do so may result in damage to the sawmill.
WOODWORKERS PRODUCTS, INC. P/N: 0012581

AWARNING
 Towing Safety
 Make sure all brakes and lights are working before towing the sawmill. Be sure electric brake battery is charged and is working before towing the sawmill. Failure to do so may result in serious injury.
WOODWORKERS PRODUCTS, INC. P/N: 0012581

014106

S12581

CAUTION
 Lower the saw head onto the rest pin until it contacts the rest pin. Then lower the saw head 24" (6mm) further to ensure the saw head cannot be dislocated from the rest pin. Failure to properly secure the saw head can result in serious backlashing damage.
WOODWORKERS PRODUCTS, INC. P/N: 0012581

P07452

ADANGER
 Crush Hazard
 Stay clear of area between trailer axle and saw carriage. Failure to do so will result in serious injury.
WOODWORKERS PRODUCTS, INC. P/N: 0012581

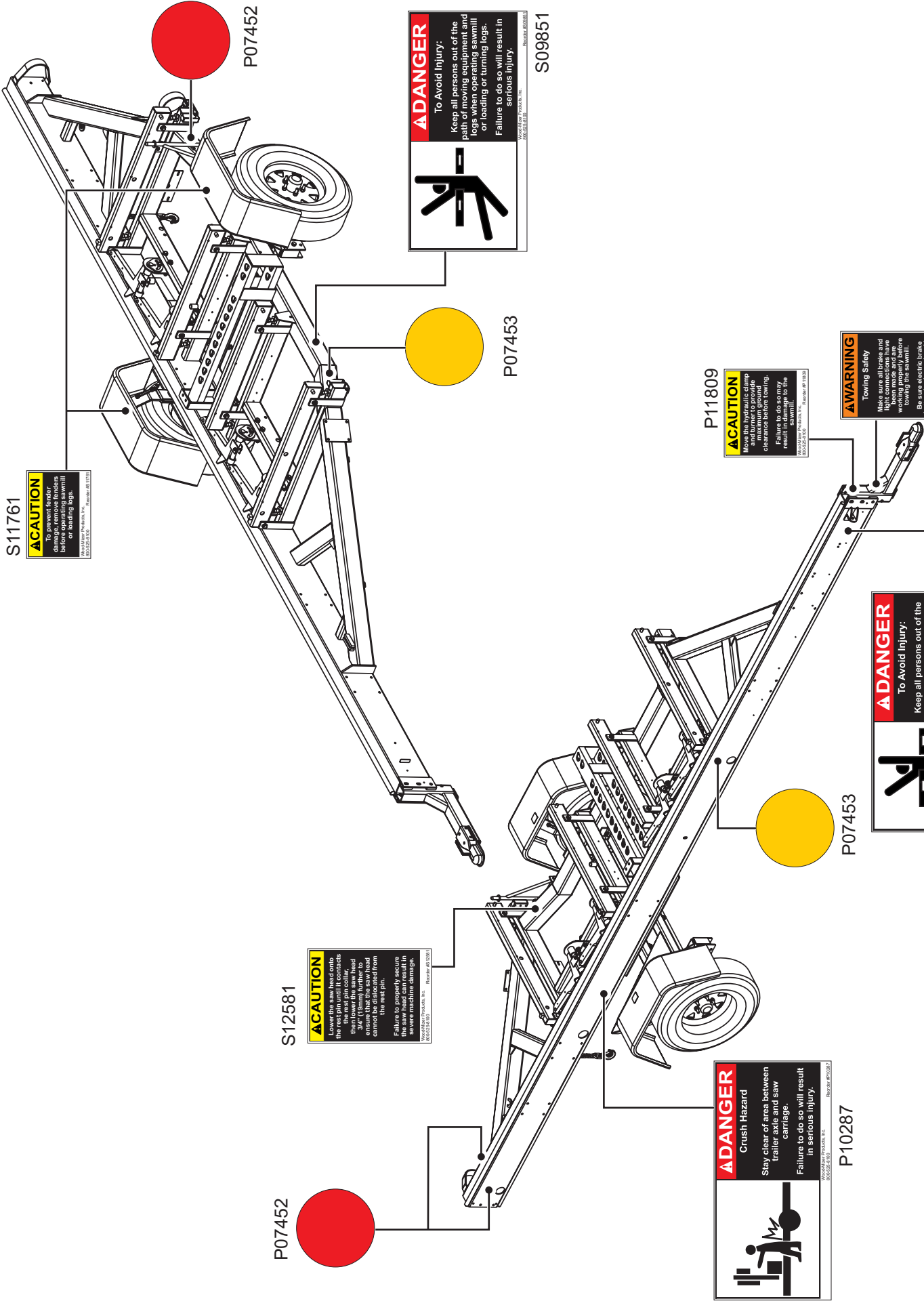
P10287

ADANGER
 To Avoid Injury:
 Keep all persons out of the path of moving equipment and logs when operating sawmill or loading or turning logs. Failure to do so will result in serious injury.
WOODWORKERS PRODUCTS, INC. P/N: 0012581

S09851

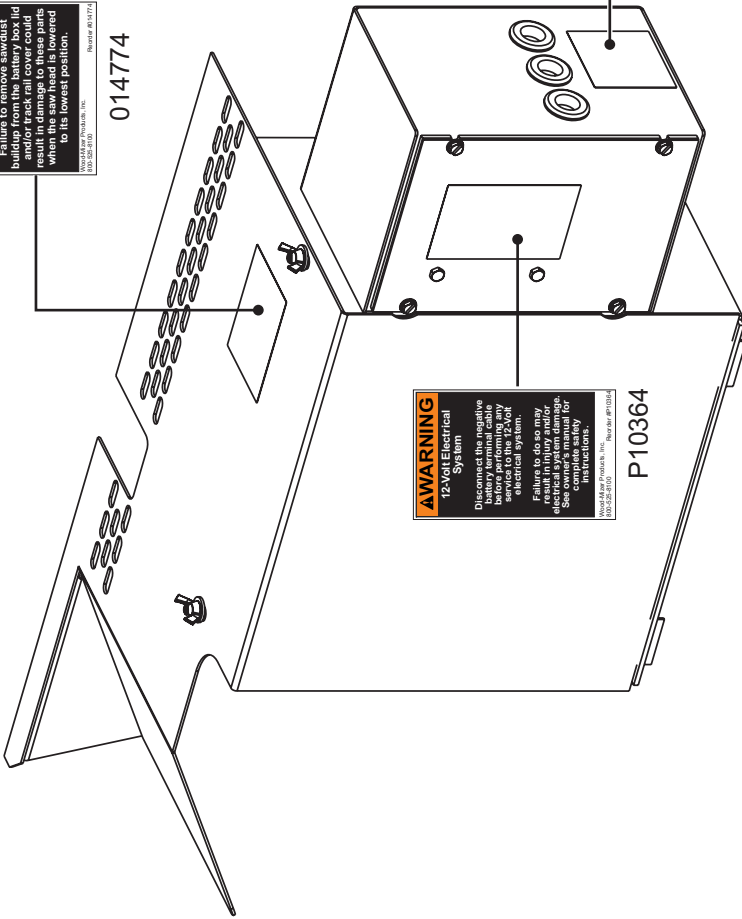
P07453

HD0200-2



CAUTION
 Failure to remove sawdust
 buildup from the battery box lid
 and/or track rail cover could
 result in damage to these parts
 if they are not properly
 cleaned and returned
 to its lowest position.
©2012 Deere & Company, Inc. P10364-01
 100-552-5100 Replaces #011774

014774



WARNING
 12-volt Electrical
 System
 Disconnect the negative
 battery terminal cable
 service to the 12-volt
 electrical system.
 Failure to do so may
 result in electrical system
 damage. See complete
 instructions for
 complete safety
 instructions.
©2012 Deere & Company, Inc. P10364-01
 100-552-5100 Replaces #011774

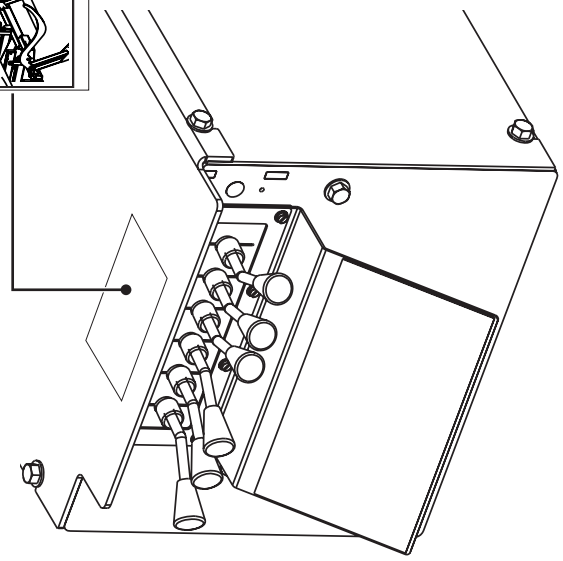
P10364

CAUTION
 Avoid having contacts
 engaged while machine is
 not being operated.
 Battery draining may
 result.
©2012 Deere & Company, Inc. P12960-01
 100-552-5100 Replaces #012960

P12960

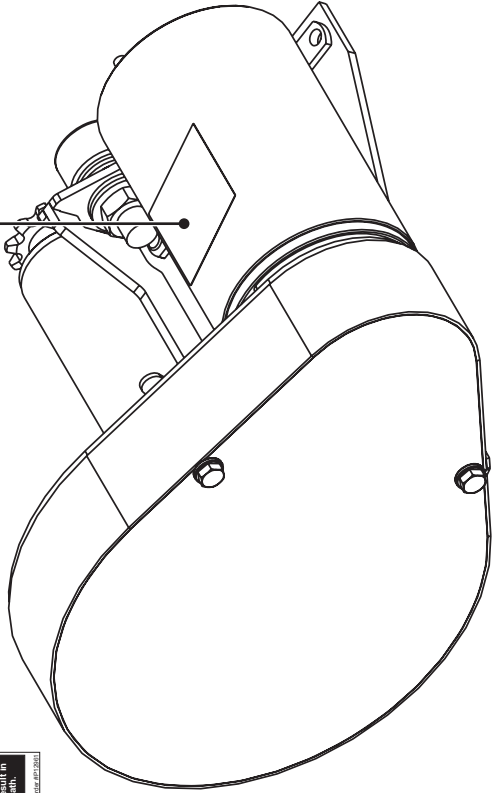
WARNING
 Use care when working
 with heavy logs.
 Always leave loading arm
 handle assembly in on
 position when
 sawmill lid
 is closed.
 Failure to do so may result in
 serious injury or death.
©2012 Deere & Company, Inc. P12961-01
 100-552-5100 Replaces #012961

P12961



WARNING
 Disconnect motor leads
 from power source
 before working on
 terminals. Failure to do so
 may cause electrical
 injury and will damage the
 electrical system.
©2012 Deere & Company, Inc. P124431-01
 100-552-5100 Replaces #0124431

024431
 (Motors w/external
 power terminals
 only)



HD0200-3