

Dear Wood-Mizer Owner:

Thank you for recognizing the importance of sawmill safety and placing the same high priority on safety as does Wood-Mizer.

As requested, we have enclosed a set of safety decals for your sawmill. Wood-Mizer encourages you to review each label as you place them on your sawmill. In addition, we have enclosed the updated Safety Section from the current manual for your model mill.

In closing, Wood-Mizer will continue to strive to offer the safest portable sawmills in the industry. Your safety is our main concern.

Sincerely,


A handwritten signature in blue ink that reads "Jim Brown". The signature is written in a cursive style with a large, looping initial "J".


Jim Brown
Vice President of Customer Service


SAFETY


Safety Symbols

The following symbols and signal words call your attention to instructions concerning your personal safety. Be sure to observe and follow these instructions.


 **DANGER!** indicates an imminently hazardous situation which, if not avoided, will result in death or serious injury.

 **WARNING!** suggests a potentially hazardous situation which, if not avoided, could result in death or serious injury.

 **CAUTION!** refers to potentially hazardous situations which, if not avoided, may result in minor or moderate injury or damage to equipment.

 **IMPORTANT!** indicates vital information.

NOTE: gives helpful information.

 Warning stripes are placed on areas where a single decal would be insufficient. To avoid serious injury, keep out of the path of any equipment marked with warning stripes.

Safety Instructions

NOTE: ONLY safety instructions regarding personal injury are listed in this section. Caution statements regarding only equipment damage appear where applicable throughout the manual.

OBSERVE SAFETY INSTRUCTIONS



IMPORTANT! Read the entire Operator's Manual before operating the sawmill. Take notice of all safety warnings throughout this manual and those posted on the machine. Keep this manual with this machine at all times, regardless of ownership.

Also read any additional manufacturer's manuals and observe any applicable safety instructions including dangers, warnings, and cautions.

Only persons who have read and understood the entire operator's manual should operate the sawmill. The sawmill is not intended for use by or around children.

IMPORTANT! It is always the owner's responsibility to comply with all applicable federal, state and local laws, rules and regulations regarding the ownership, operation and towing of your Wood-Mizer sawmill. All Wood-Mizer mill owners are encouraged to become thoroughly familiar with these applicable laws and comply with them fully while using or towing the mill.

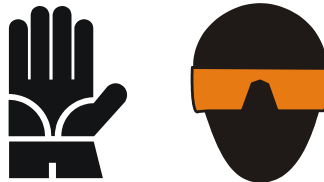


WEAR SAFETY CLOTHING



WARNING! Secure all loose clothing and jewelry before operating the sawmill. Failure to do so may result in serious injury or death.

WARNING! Always wear gloves and eye protection when handling bandsaw blades. Changing blades is safest when done by one person! Keep all other persons away from area when coiling, carrying or changing a blade. Failure to do so may result in serious injury.



WARNING! Always wear eye, ear, respiration, and foot protection when operating or servicing the sawmill.



KEEP SAWMILL AND AREA AROUND SAWMILL CLEAN



DANGER! Maintain a clean and clear path for all necessary movement around the mill and lumber stacking areas. Failure to do so will result in serious injury.

HANDLE FUEL/LUBRICANTS SAFELY



DANGER! Due to the flammable nature of fuel and oil, never smoke, weld, grind or allow sparks near your engine or storage tanks, especially during times of fueling.

DANGER! Never allow fuel to spill on a hot engine during fueling operations or otherwise. The hot temperature of your engine could induce a fire or explosion.



WARNING! Store gasoline away from sawdust and other flammable materials. Failure to do so may result in serious injury.



WARNING! Use ONLY water with the water lube accessory. Never use flammable fuels or liquids. If these types of liquids are necessary to clean the blade, remove it and clean with a rag. Failure to do so may result in serious injury or death.

WARNING! Drum switch grease contains Petroleum Hydrocarbon Lubricant. Eye and skin irritant. If introduced into eyes, flush with water for at least 15 minutes. If film or irritation persists, seek medical attention. Wash skin with soap and water. If ingested, do not induce vomiting - contact a physician. **KEEP OUT OF THE REACH OF CHILDREN.**

DISPOSE OF SAWING BY-PRODUCTS PROPERLY



IMPORTANT! Always properly dispose of all sawing by-products, including sawdust and other debris, coolant, oil, fuel, oil filters and fuel filters.

USE CAUTION WHEN WORKING WITH BATTERIES



DANGER! Batteries expel explosive gases. Keep sparks, flames, burning cigarettes, or other ignition sources away at all times. Always wear safety goggles and a face shield when working near batteries. Failure to do so will cause serious injury.¹



WARNING! Battery posts, terminals and related accessories contain lead and lead compounds, chemicals known to the State of California to cause cancer and reproductive harm. Wash hands after handling.



WARNING! Charge the battery in a well ventilated area. Do not attempt to charge a frozen battery.

Use extreme care to avoid spilling or splashing electrolyte (which is dilute sulfuric acid) as it can destroy clothing and burn the skin. If electrolyte is spilled or splashed on clothing or the body, it should be neutralized immediately and then rinsed with clean water. A solution of baking soda, or household ammonia, and water may be used as a neutralizer.

Electrolyte splashed into the eyes is extremely dangerous. If this should happen, force the eye open and flood it with cool, clean water for approximately fifteen minutes. A doctor should be called immediately when the accident occurs and “on-the-spot” medical attention given if possible. If a doctor cannot come to the scene of the accident immediately, follow his instructions concerning actions to take. Do not add eye drops or other medication unless advised to do so by the doctor. Do not place a battery or acid within the reach of children. If acid (electrolyte) is taken internally drink large quantities of water or milk. Follow with milk of magnesia, beaten egg or vegetable oil. Call a physician immediately.

If electrolyte is spilled or splashed on any surface of the machine, it should be neutralized and rinsed with clean water.



CAUTION! Do not overcharge the battery. Overcharging may reduce the overall service life of the battery.

CAUTION! Be sure the battery is fully charged before transporting the sawmill. If the battery is not fully charged, excessive vibration could reduce the overall service life of the battery.

1. Battery Council International, copyright 1987

CAUTIONS FOR SAWMILL SETUP



WARNING! Do not set up the mill on ground with more than a 10 degree incline. If setup on an incline is necessary, put blocks under one side of the mill or dig out areas for the outrigger legs to keep mill level. Setting up the mill on an incline could cause it to tip over, resulting in serious personal injury.

WARNING! Chock the trailer wheels to prevent movement before unhitching it from the towing vehicle. Failure to do so may result in serious injury or death.

WARNING! Put front outrigger down before moving saw head from the rest position. Failure to do so may result in serious injury.

WARNING! Always make sure the trailer is supporting the sawmill frame when operating a sawmill with adjustable outriggers. Failure to do so may result in serious injury or death. The adjustable outriggers are intended to support the saw frame with assistance from the trailer.

WARNING! The adjustable outriggers supplied with portable sawmills are not intended for setup on concrete or other hard surfaces. Long-term use of the adjustable outriggers on hard surfaces may cause the outriggers to fail, causing the sawmill to drop. This could result in possible serious injury or death.

If setting the sawmill up on concrete or other hard surface, replace the adjustable outrigger legs with stationary legs.

WARNING! Securely fasten the feet of a stationary sawmill to the floor before operating the sawmill. Failure to do so may result in serious injury or death.

CHECK SAWMILL BEFORE OPERATION



DANGER! Make sure all guards and covers are in place and secured before operating or towing the sawmill. Failure to do so may result in serious injury.


Be sure the blade housing and pulley covers are in place and secure. Use the safety retainer pin and cable to fasten blade housing covers.



1 Safety

Safety Instructions

KEEP PERSONS AWAY

 **DANGER!** Stay clear of the area between the trailer axle and saw carriage. Failure to do so will result in serious injury.



DANGER! Keep all persons out of the path of moving equipment and logs when operating sawmill or loading and turning logs. Failure to do so will result in serious injury.

DANGER! Always be sure the blade is disengaged and all persons are out of the path of the blade before starting the engine or motor. Failure to do so will result in serious injury.

KEEP HANDS AWAY



DANGER! Always disengage the blade and shut off the sawmill engine before changing the blade. Failure to do so will result in serious injury.

DANGER! Engine components can become very hot during operation. Avoid contact with any part of a hot engine. The exhaust components of your engine are especially hot during and following operation. Contact with hot engine components can cause serious burns. Therefore, never touch or perform service functions on a hot engine. Allow the engine to cool sufficiently before beginning any service function.

DANGER! Always keep hands away from moving bandsaw blade. Failure to do so will result in serious injury.

DANGER! Always be aware of and take proper protective measures against rotating shafts, pulleys, fans, etc. Always stay a safe distance from rotating members and make sure that loose clothing or long hair does not engage rotating members resulting in possible injury.



WARNING! Do not spin the blade wheels by hand. Spinning the blade wheels by hand may result in serious injury.

WARNING! Always disengage the clutch/brake mechanism whenever the sawmill is not cutting. Failure to do so may result in serious injury.

WARNING! Do not for any reason adjust the engine drive belts or belt support bracket with the engine running. Doing so may result in serious injury.

WARNING! Always keep clear of exiting sawdust. Keep hands, feet and any other objects away from the sawdust chute when operating sawmill. Failure to do so may result in serious injury.

CAUTIONS FOR GAS OR DIESEL ENGINE OPERATION



DANGER! Operate your engine/machine only in well ventilated areas. The exhaust gases of your engine can cause nausea, delirium and potentially death unless adequate ventilation is present.

DANGER! Never operate an engine with a fuel or oil leak. The leaking fuel or oil could potentially come in contact with hot surfaces and ignite into flames.

WARNING! Do not operate engine without proper and operational spark arrester/muffler. Sparks emitted from the engine exhaust could ignite surrounding materials, causing serious injury or death.

USE PROPER PROCEDURE WHEN CONDUCTING ELECTRICAL SAFETY CHECKS AND MAINTENANCE



DANGER! Make sure all electrical installation, service and/or maintenance work is performed by a qualified electrician and is in accordance with applicable electrical codes.

DANGER! Hazardous voltage inside the electric sawmill disconnect box, starter box, and at the motor can cause shock, burns, or death. Disconnect and lock out power supply before servicing! Keep all electrical component covers closed and securely fastened during mill operation.



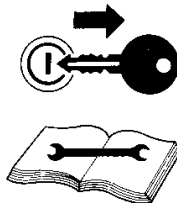
WARNING! Consider all electrical circuits energized and dangerous.

WARNING! Disconnect the negative battery terminal cable before performing any service to the 12-Volt electrical system. Failure to do so may result in injury and/or electrical system damage.

WARNING! Never assume or take the word of another person that the power is off; check it out and lock it out.

WARNING! Do not wear rings, watches, or other jewelry while working around an open electrical circuit.

WARNING! Before performing service near moving parts such as blades, pulleys, motors, belts and chains, first turn the key switch to the OFF (#0) position and remove the key. If the key is turned on and moving parts activated, serious injury may result.



WARNING! Remove the blade before performing any service to the engine or sawmill. Failure to do so may result in serious injury.

DANGER! Lockout procedures must be used during:

- Changing or adjusting blades
- Unjamming operations
- Cleaning
- Mechanical repair
- Electrical maintenance
- Retrieval of tools/parts from work area
- Activities where guards or electrical panel guard is open or removed

Maintenance hazards include:

- Blade contact
- Pinch points
- Kickbacks
- Missiles (thrown blades/wood chips)
- Electrical

Failure to lockout may result in:

- Cut
- Crush
- Blindness
- Puncture
- Serious injury and death
- Amputation
- Burn
- Shock
- Electrocution

To control maintenance dangers:

Lockout procedures must be followed (see ANSI Standard Z244.1-1982 and OSHA regulation 1910.147).

Never rely on machine stop control for maintenance safety (emergency stops, on/off buttons, interlocks).

Do not reach into moving blades or feed systems. Allow all coasting parts to come to a complete stop.

Electrical power supply and air supply must both be locked out.

Where established lockout procedures cannot be used (electrical troubleshooting or mechanical dynamic troubleshooting), alternative effective protective techniques shall be employed which may require special skills and planning.

Always follow safe operations practices in the workplace.

SAWMILL LOCKOUT PROCEDURE

Lockout procedures must be followed (see ANSI Standard Z244.1-1982 and OSHA regulation 1910.147).

Purpose:

This procedure establishes the minimum requirements for lockout of energy sources that could cause injury.

Responsibility:

The responsibility for seeing that this procedure is followed is binding upon all workers. All workers shall be instructed in the safety significance of the lockout procedure. It is your responsibility to ensure safe operation of the machine.

Preparation For Lockout:

Sawmill must be locked out both electrically and pneumatically (lockout air valve).

Sequence of Lockout Procedure:

1. Notify all persons that a lockout is required and the reason therefore.
2. If the Sawmill is operating, shut it down by the normal stopping procedure.
3. Operate the switch and valve so that the energy sources are disconnected or isolated from the Sawmill. Stored energy such as moving blades, feed system and air pressure shall be dissipated.
4. Lockout the energy isolating devices with assigned individual locks.
5. After ensuring that no persons are exposed and as a check on having disconnected the energy sources, operate the push button or other normal operating controls to make certain the Sawmill will not operate. Caution: Return operating controls to neutral position after the test.
6. The Sawmill is now locked out.

Restoring Equipment to Service

1. When the job is complete and the Sawmill is ready for testing or normal service, check the Sawmill area to see that no one is exposed.
2. When the Sawmill is all clear, remove all locks. The energy isolating devices may be operated to restore energy to the Sawmill.

Procedure Involving More Than One Person

In the preceding steps, if more than one individual is required to lock out the Sawmill, each shall place his own personal lock on the energy isolating devices.

Rules for Using Lockout Procedure

The Sawmill shall be locked out to protect against accidental or inadvertent operation when such operation could cause injury to personnel. Do not attempt to operate any switch or valve bearing a lock.

Owner's Responsibility

The procedures listed in this manual may not include all ANSI, OSHA, or locally required safety procedures. It is the owner/operator's responsibility and not Wood-Mizer Products to ensure all operators are properly trained and informed of all safety protocols. Owner/Operators are responsible for following all safety procedures when operating and performing maintenance to the Sawmill.

KEEP SAFETY LABELS IN GOOD CONDITION



IMPORTANT! Always be sure that all safety decals are clean and readable. Replace all damaged safety decals to prevent personal injury or damage to the equipment. Contact your local distributor, or call your Customer Service Representative to order more decals.



IMPORTANT! If replacing a component which has a safety decal affixed to it, make sure the new component also has the safety decal affixed.

USE CAUTION WHEN WORKING WITH HEAVY LOGS



WARNING! Always make sure log is clamped securely before sawing. Failure to do so may result in serious injury or death.

WARNING! Always leave hydraulic loading arm halfway up while log is on sawmill bed. Failure to do so may result in serious injury or death.

OPTIONAL BOARD RETURN SAFETY



DANGER! Keep all persons out of the path of returning boards. Failure to do so will result in serious injury.



WARNING! The board return is intended to assist a second operator in removing boards quickly. Do not use the board return when operating the sawmill alone. Serious injury, death or damage to the equipment may result.

WARNING! Never use the board return table as a platform to stand on. This table is designed and intended to assist in the removal of boards only. Standing on the table may result in serious injury.

UP/DOWN SYSTEM SAFETY



WARNING! Always secure the saw head with a 5/16" chain with at least 1900 lbs. working load capacity before adjusting the up/down chain. The saw head may fall, causing severe injury or death.

WARNING! Always secure the saw head with a 5/16" chain with at least 1900 lbs. working load capacity before adjusting the mast pads. The saw head may fall, causing severe injury or death.

WARNING! Always secure the saw head with a 5/16" chain with approximately 1900 lbs. working load capacity before removing the up/down motor belt. The saw head may fall, causing severe injury or death.

POWER FEED SYSTEM SAFETY



DANGER! If leaving the blade engaged for maximum production rates, make sure the off-bearer stays out of the path of the blade. Failure to do so will result in serious injury or death.



WARNING! Be sure the power feed switch is in the neutral position before turning the key switch to the on (#1) or accessory (#3) position. This prevents accidental carriage movement which may cause serious injury or death.

GENERAL TRAILER SAFETY



DANGER! Make sure your hitch has adequate safety chain hook-ups. Do not use eyebolts for safety chain hook-up. Safety chains should be hooked to bumper of vehicle so that each chain would pull the trailer equally in the event the hitch became disengaged. Failure to do so may result in serious personal injury and/or severe machine damage.

DANGER! Be sure that the hitch and safety chains are secure before towing the sawmill. Failure to do so may result in serious personal injury and/or severe machine damage.

DANGER! Make sure all light connections have been made and are working properly before towing the sawmill. Failure to do so may result in serious personal injury and/or severe machine damage.



WARNING! Always check trailer tires for proper inflation before towing sawmill. Failure to do so may lead to tire failure resulting in property damage and/or serious injury or death.

ADDITIONAL SAFETY FOR ELECTRIC BRAKE TRAILERS

DANGER! Make sure the electric brake wire is secured as close to the trailer axle as possible to prevent wire disconnection during towing. Failure to do so may result in serious personal injury and/or severe machine damage.

DANGER! Be sure electric brake battery is charged and is working properly before towing the sawmill. Failure to do so may result in serious personal injury and/or severe machine damage.

DANGER! Do not use the electric brake system as an “emergency brake” while the sawmill is not being towed. Extended use of the electric brakes while the sawmill is stationary will drain the brake battery.

WARNING

Burn Hazard
 Avoid contact with any part of hot engine. Failure to do so may result in serious injury.

014419

Wood-Mizer[®]

Excavator/Manipulator

DANGER! READ THE OPERATOR'S MANUAL AND UNDERSTAND ALL SAFETY INSTRUCTIONS BEFORE YOU OPERATE THIS MACHINE.

LEER EL MANUAL DE OPERACIÓN Y COMPRENDA TODAS LAS INSTRUCCIONES DE SEGURIDAD ANTES DE OPERAR LA MÁQUINA. LEA Y ENTENDE TODAS LAS INSTRUCCIONES DE SEGURIDAD ANTES DE COMENZAR A TRABAJAR. LEA EL MANUAL DE INSTRUCCIONES Y ENTENDE TODAS LAS INSTRUCCIONES DE SEGURIDAD ANTES DE COMENZAR A TRABAJAR.

SETUP PROCEDURE FOR SLOPING TERRAIN
OPERACIÓN PARA OPERAR EN TERRENO CON PENDING. PROCEDIMIENTO PARA OPERAR EN TERRENO CON PENDING. CALCULAR EL PUNTO PARA PONER LOS TRÁVERSOS ADECUADOS.

BLOCK UP DOWNHILL SIDE EXCAVATE UPHILL SIDE
PARA TRABAJAR EN UN TERRENO CON PENDING, BLOQUEAR EL LADO DE BAJA Y EXCAVAR EL LADO DE ALTA. TRÁNSPORTE DE MATERIALES EN UN TERRENO CON PENDING EN SENTIDO ASCENDENTE.

LOG RULE & LUMBER SCALE
DESCRIPCIÓN DE LA MÁQUINA
 CUMPLIR REQUISITOS PARA EL PUNTO DE DESTINO

CONTENTS IN BOARD FEET
CONTENIDO EN PIEZAS DE MADERA
 QUANTIDAD POR VOLUMEN DE MADERA
 MENSURACIÓN EN TABLAS Y PIEZAS

LUMBER SCALE	BOARD FEET	PIEZAS DE MADERA	QUANTIDAD POR VOLUMEN DE MADERA
1 x 2	16	2	32
1 x 4	32	4	64
2 x 2	32	4	64
2 x 4	64	8	128
2 x 6	96	12	192
2 x 8	128	16	256
2 x 10	160	20	320
2 x 12	192	24	384
4 x 4	32	4	64
4 x 6	48	6	96
4 x 8	64	8	128
4 x 10	80	10	160
4 x 12	96	12	192
6 x 6	36	6	72
6 x 8	48	8	96
6 x 10	60	10	120
6 x 12	72	12	144
8 x 8	32	4	64
8 x 10	40	5	80
8 x 12	48	6	96
10 x 10	20	2	40
10 x 12	24	3	48
12 x 12	16	2	32

P11754

WARNING

Dust And Projectile
 Inspect projectile caps for damage before turning each trigger. Keep hands away from sawdust. Failure to do so may result in serious injury.

033254

DANGER

Moving Parts Can Crush And Cut
 Make sure all guards and covers are in place before operating this machine. Failure to do so will result in serious injury.

ADANGER

Moving bandsaw blades will cut.
 Keep hands away. Failure to do so will result in serious injury.

S11752

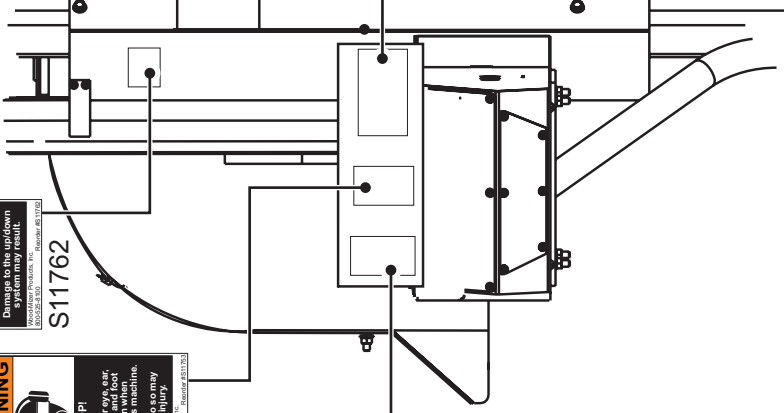
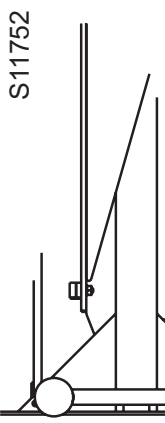
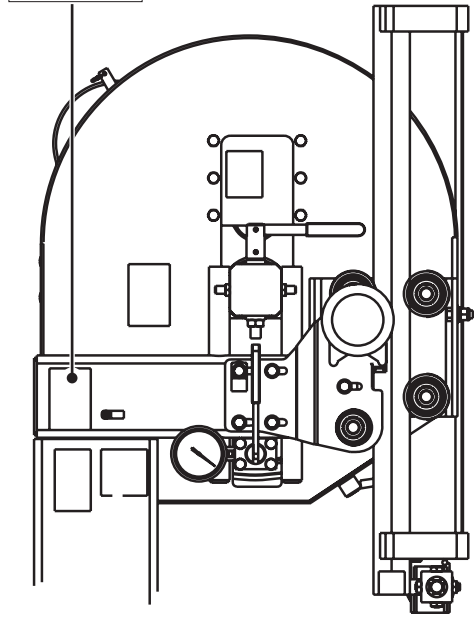
CAUTION

Do not try to force the saw through wood. Excessive force and power travel limit system may result.

S11753

WARNING

STOP!
 Always wear eye, ear, respiration and foot protection when operating this machine. Failure to do so may result in injury.



015400

WARNING

Crush Hazard
 Always put front outrigger down before moving the machine to the rest position. Failure to do so may result in serious injury.

016402

WARNING

STOP!
 Read and understand operator's manual and all safety instructions before operating or maintaining this machine. Failure to do so may result in injury or equipment damage.

P10147

CAUTION

Release the blade tension when changing the blade. Excessive blade tension causes rips in the material and causes the blade to slip and lose fluid from the gauges. Failure to do so may result in serious injury.

1992+ Models

WARNING

Burn Hazard
Avoid contact with any part of hot engine. Failure to do so may result in serious injury.

WOOD-MIZER, INC. • 800-525-5100 • 10000 Wood-Mizer Way • Wood-Mizer, MO 64098 • 417-931-1111

014419

Wood-Mizer®

Excavator Model 400 Series
Model 400 Series
Model 400 Series
Model 400 Series

033254

WARNING

DANGER READ THE OPERATOR'S MANUAL AND UNDERSTAND ALL SAFETY INSTRUCTIONS BEFORE YOU OPERATE THIS MACHINE.

LEER EL MANUAL DE OPERADOR Y ENTENDER TODAS LAS INSTRUCCIONES DE SEGURIDAD ANTES DE OPERAR ESTE EQUIPO. LEER EL MANUAL DE OPERADOR Y ENTENDER TODAS LAS INSTRUCCIONES DE SEGURIDAD ANTES DE OPERAR ESTE EQUIPO. LEER EL MANUAL DE OPERADOR Y ENTENDER TODAS LAS INSTRUCCIONES DE SEGURIDAD ANTES DE OPERAR ESTE EQUIPO.

SET-UP PROCEDURE FOR SLOPING TERRAIN

PROCEDIMIENTO DE CONFIGURACION PARA TERRENO CON PENDIENTE

BLOCK UP DOWNHILL SIDE EXCAVATE UPHILL SIDE

BLOQUEAR EL LADO DE BAJA PENDIENTE Y EXCAVAR EL LADO DE ALTA PENDIENTE

LOG RULE & LUMBER SCALE

CONVERSION TABLES FOR LOG RULES AND LUMBER SCALES

CONTENTS IN BOARD FEET

CONTENIDOS EN PIES TABLADO DE MADERA

LOG RULE	BOARD FEET	LOG RULE	BOARD FEET
12" x 12" x 16'	192	12" x 12" x 18'	216
12" x 12" x 20'	240	12" x 12" x 24'	288
12" x 12" x 28'	336	12" x 12" x 32'	384
12" x 12" x 36'	432	12" x 12" x 40'	480
12" x 12" x 44'	528	12" x 12" x 48'	576
12" x 12" x 52'	624	12" x 12" x 56'	672
12" x 12" x 60'	720	12" x 12" x 64'	768
12" x 12" x 72'	864	12" x 12" x 76'	912
12" x 12" x 84'	1008	12" x 12" x 88'	1056
12" x 12" x 96'	1152	12" x 12" x 100'	1200

S11753

WARNING

STOP!
Always wear eye, ear, respiration and foot protection when operating this machine. Failure to do so may result in injury.

WOOD-MIZER, INC. • 800-525-5100 • 10000 Wood-Mizer Way • Wood-Mizer, MO 64098 • 417-931-1111

S11762

CAUTION

Do not try to force the saw through a log with the lower travel limits. Damage to the up/down system may result.

WOOD-MIZER, INC. • 800-525-5100 • 10000 Wood-Mizer Way • Wood-Mizer, MO 64098 • 417-931-1111

S11752

DANGER

DANGER
Moving bandsaw blade will cut. Keep hands away. Failure to do so will result in serious injury.

WOOD-MIZER, INC. • 800-525-5100 • 10000 Wood-Mizer Way • Wood-Mizer, MO 64098 • 417-931-1111

DANGER

DANGER
Moving Parts Can Crush. Aid Cut. Make sure all guards and covers are in place when operating this machine. Failure to do so will result in serious injury.

WOOD-MIZER, INC. • 800-525-5100 • 10000 Wood-Mizer Way • Wood-Mizer, MO 64098 • 417-931-1111

015400

WARNING

Crush Hazard
Always put front outrigger down before moving the machine. Failure to do so may result in serious injury.

WOOD-MIZER, INC. • 800-525-5100 • 10000 Wood-Mizer Way • Wood-Mizer, MO 64098 • 417-931-1111

016402

WARNING

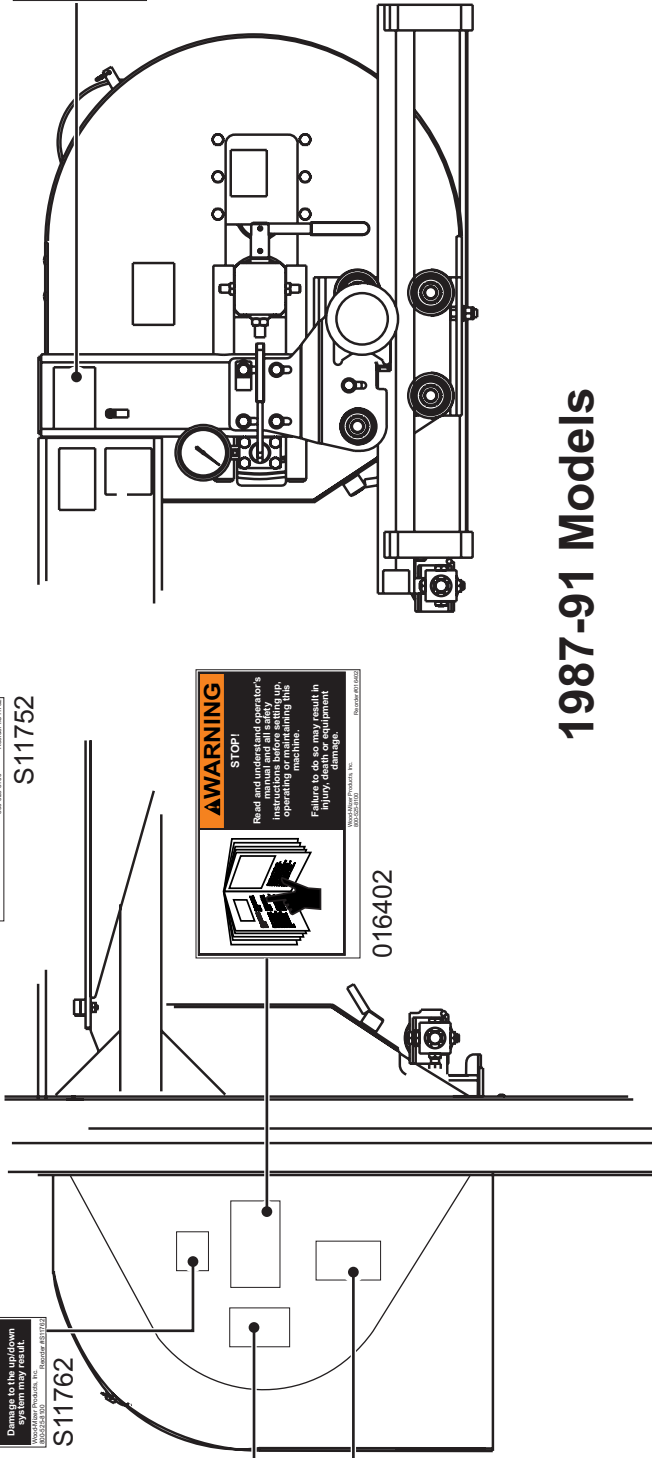
STOP!
Read and understand operator's manual and all safety instructions before setting up, operating or moving this machine. Failure to do so may result in injury, death or equipment damage.

WOOD-MIZER, INC. • 800-525-5100 • 10000 Wood-Mizer Way • Wood-Mizer, MO 64098 • 417-931-1111

P10147
(Hydraulic Tensioner Only)

CAUTION
Cutting pressure may cause increased pressure in the blade tensioner and loss of fluid from the gauge. Release the blade tension when the gauge shows a drop in pressure to avoid damage to the tensioner.

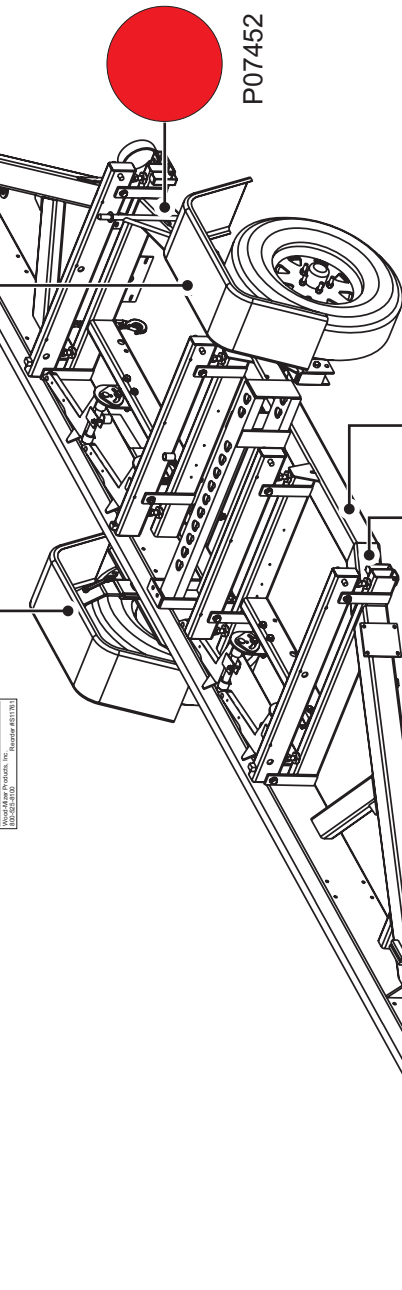
WOOD-MIZER, INC. • 800-525-5100 • 10000 Wood-Mizer Way • Wood-Mizer, MO 64098 • 417-931-1111



1987-91 Models

S11761

CAUTION
To prevent tender damage, remove tender from the sawmill or loading logs.

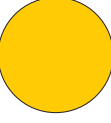


P07452

P07452

S12581

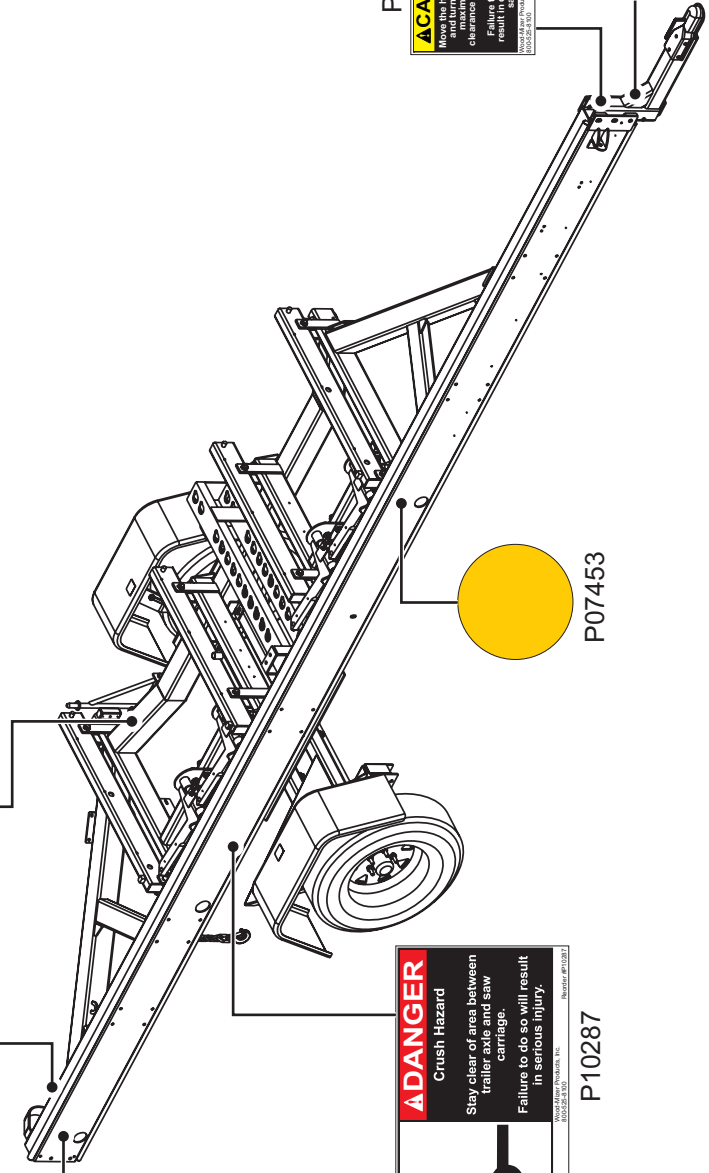
CAUTION
Lower the saw head onto the rest pin and contacts the rest pin collar, then lower the saw head. Do not touch the saw head until the saw head cannot be dislocated from the rest pin.
Failure to properly secure the saw head may result in the saw head or the log tip.



P07453

ADANGER
To Avoid Injury:
Keep all persons out of the paths of moving parts and logs when operating sawmill or loading or turning logs.
Failure to do so will result in serious injury.

S09851



P07453

ADANGER
Crush Hazard
Stay clear of area between trailer axle and saw carriage.
Failure to do so will result in serious injury.

P10287

P11809

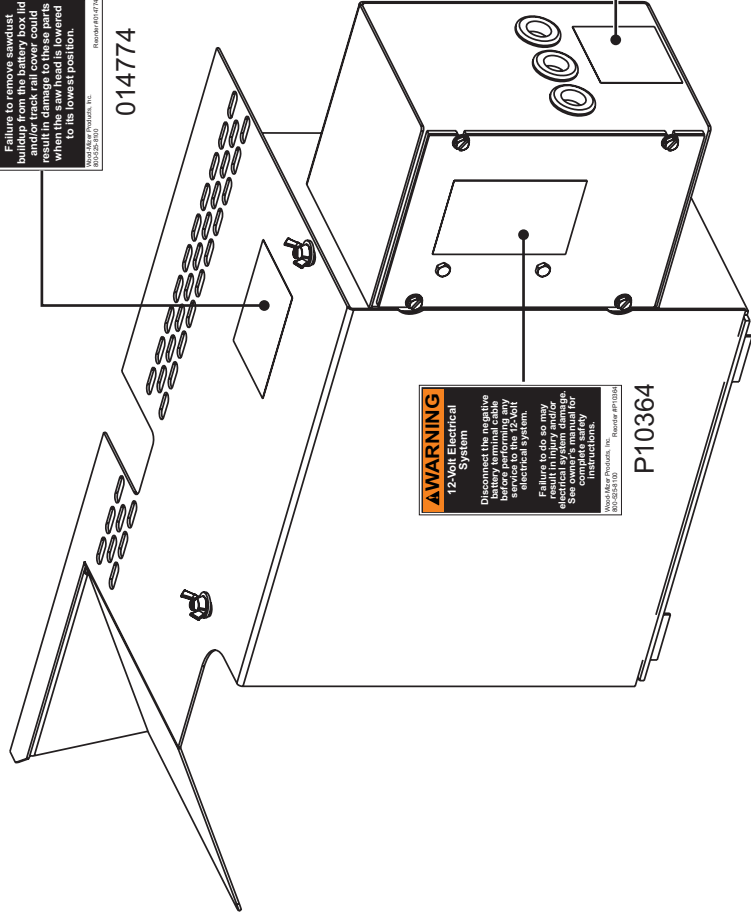
CAUTION
Move the hydraulic clamp and turner to provide clearance before towing.
Failure to do so may result in damage to the sawmill.

AWARNING
Towing Safety
Make sure all backlights and light connections have been made and are working before towing the sawmill.
Be sure electric brake battery is charged and is working before towing the sawmill.
Failure to do so may result in serious injury.

CAUTION
 Failure to remove sawdust
 buildup from the battery box lid
 and/or track rail cover could
 result in fire or explosion when
 the saw head is lowered
 to its lowest position.

W025247-01 (Rev. 04/2014) Part No. 014774

014774



WARNING
 12-Volt Electrical System
 Disconnect the negative
 battery cable terminal
 before performing any
 service to the 12-Volt
 electrical system.
 Failure to do so may
 result in injury and/or
 electrical system damage.
 See the complete safety
 instructions.

W025247-01 (Rev. 04/2014) Part No. P10364

P10364

CAUTION
 Avoid leaving contacts
 engaged while machine is
 not being operated.
 Battery draining may
 result.

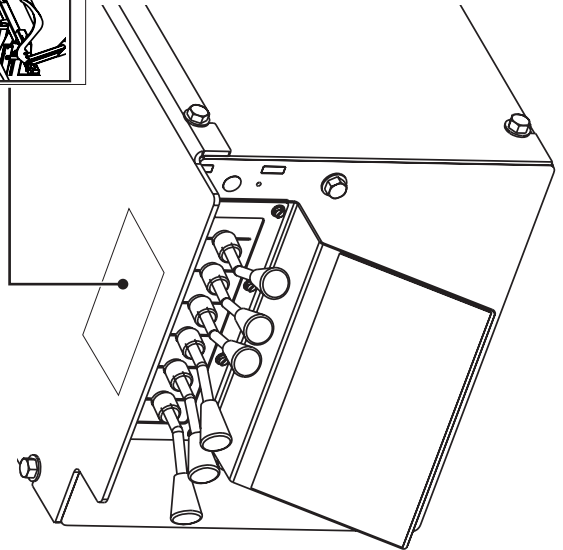
W025247-01 (Rev. 04/2014) Part No. P12960

P12960

WARNING
 Use care when working
 with heavy logs.
 Always leave feeding arm
 fully extended when
 sawmill bed.
 Failure to do so may result in
 serious injury or death.

W025247-01 (Rev. 04/2014) Part No. P12961

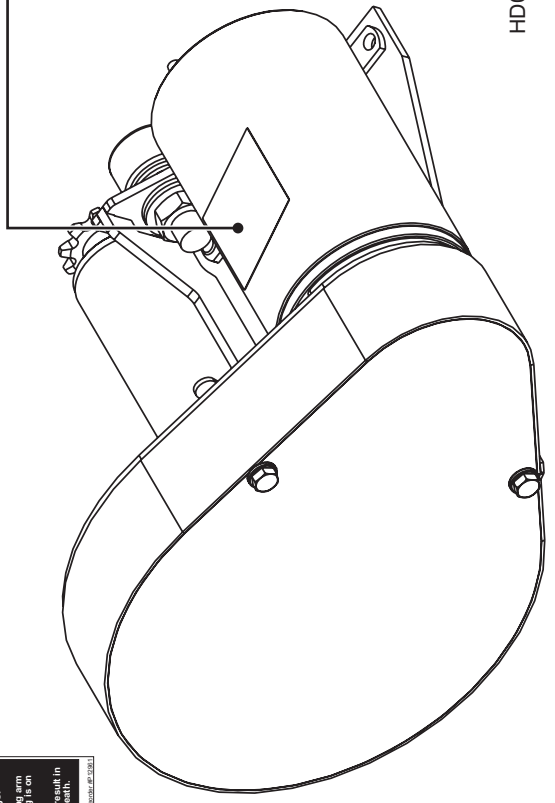
P12961



WARNING
 Disconnect motor lead
 wires from the power
 source to motor
 terminals. Failure to do so
 may result in injury and
 will damage the
 electrical system.

W025247-01 (Rev. 04/2014) Part No. 024431

024431
 (Motors w/external
 power terminals
 only)



HD0198-4