

## **SECTION 1 ELECTRICAL INFORMATION**

**EG300EC25U (U.S. Only) Rev. B3.00**



# Revision History

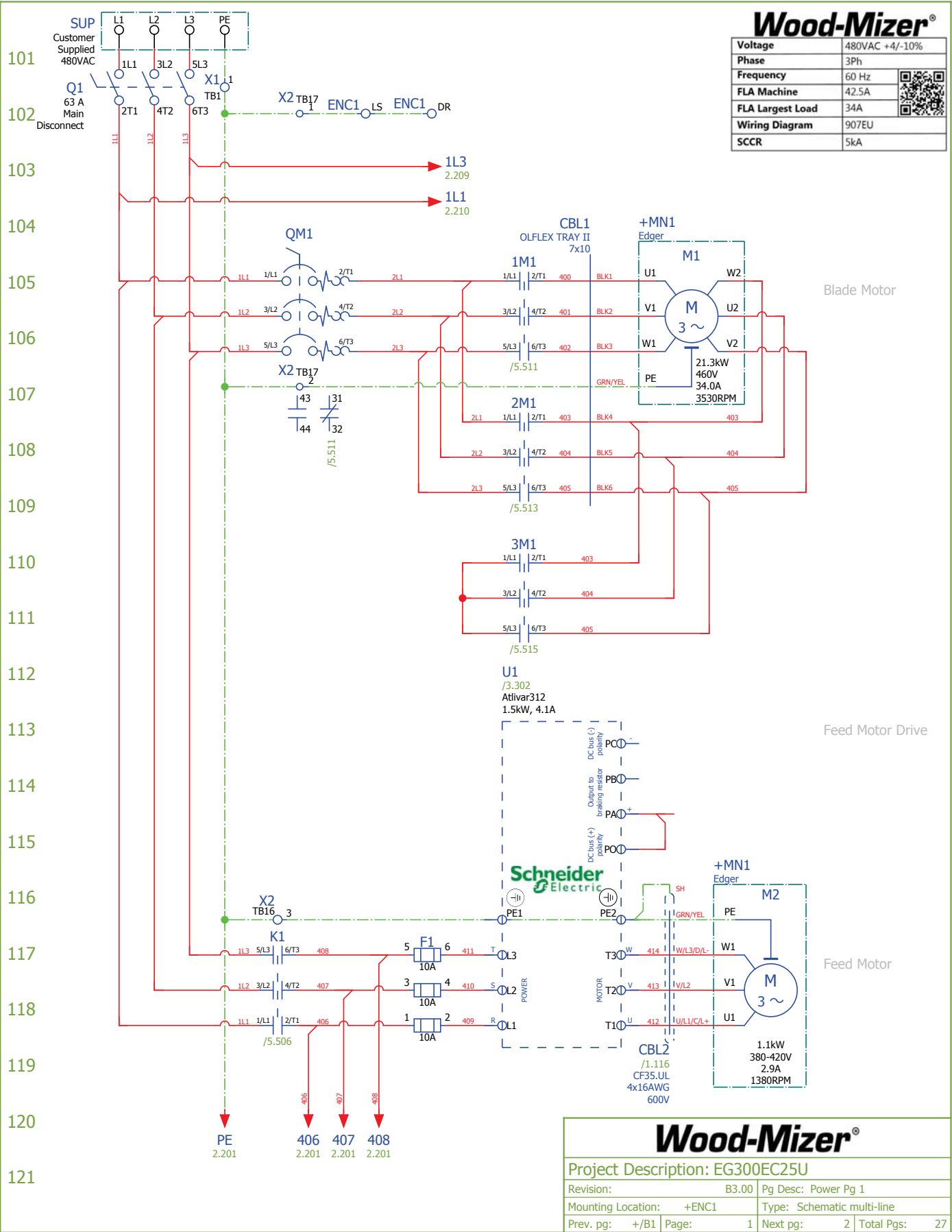
Date	Revision	Revision Record	Drawn By	Checked By
11/18/16	B.00	Power Supply Change, Setworks PLC Change	JRF	SDC

**Wood-Mizer®**

Project Description: EG300EC25U			
Revision:	B3.00	Pg Desc: Revision History	
Mounting Location:	+	Type: Overview	
Prev. pg:	A1	Page:	B1
Next pg: +ENC1/1		Total Pgs: 27	

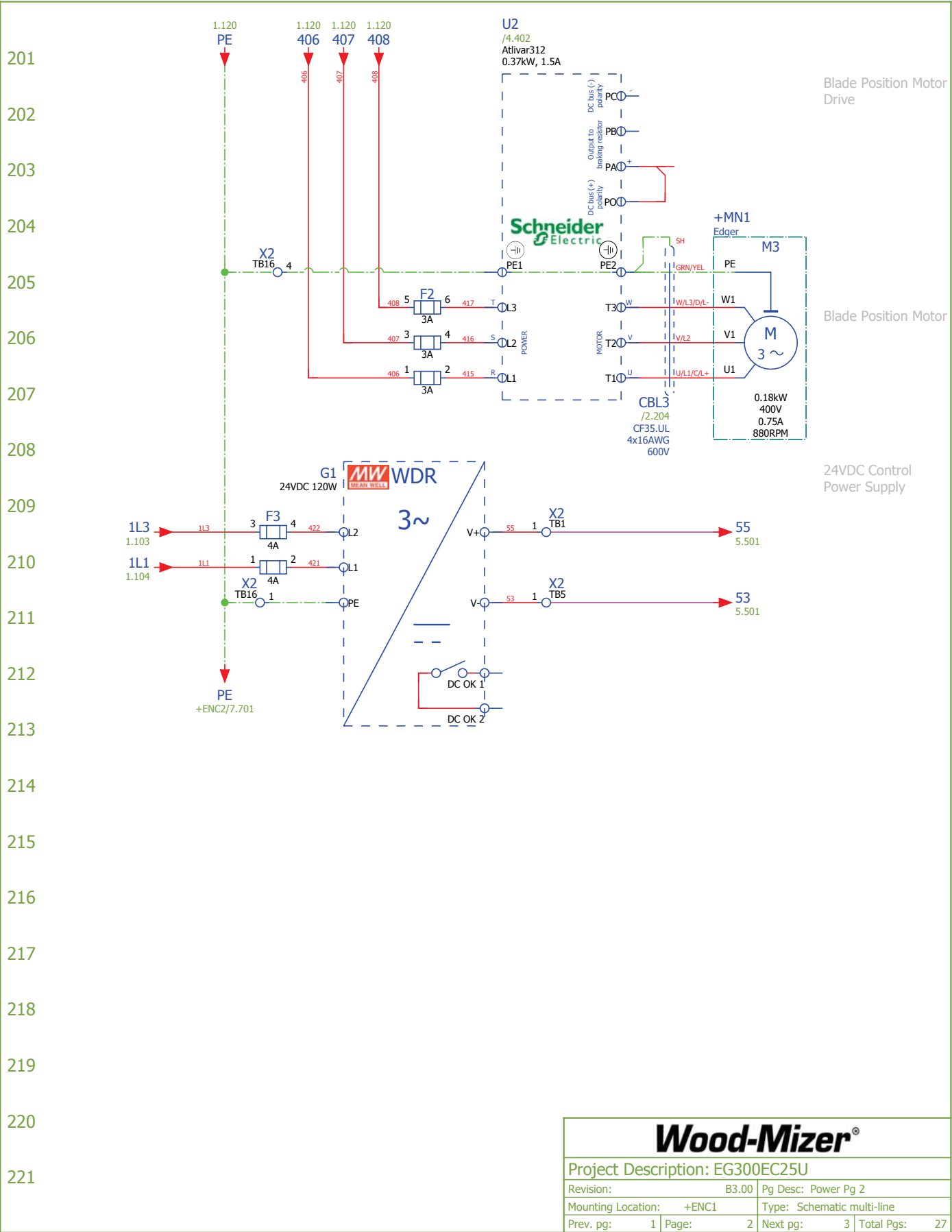
# Wood-Mizer®

Voltage	480VAC +4/-10%
Phase	3Ph
Frequency	60 Hz
FLA Machine	42.5A
FLA Largest Load	34A
Wiring Diagram	907EU
SCCR	5kA



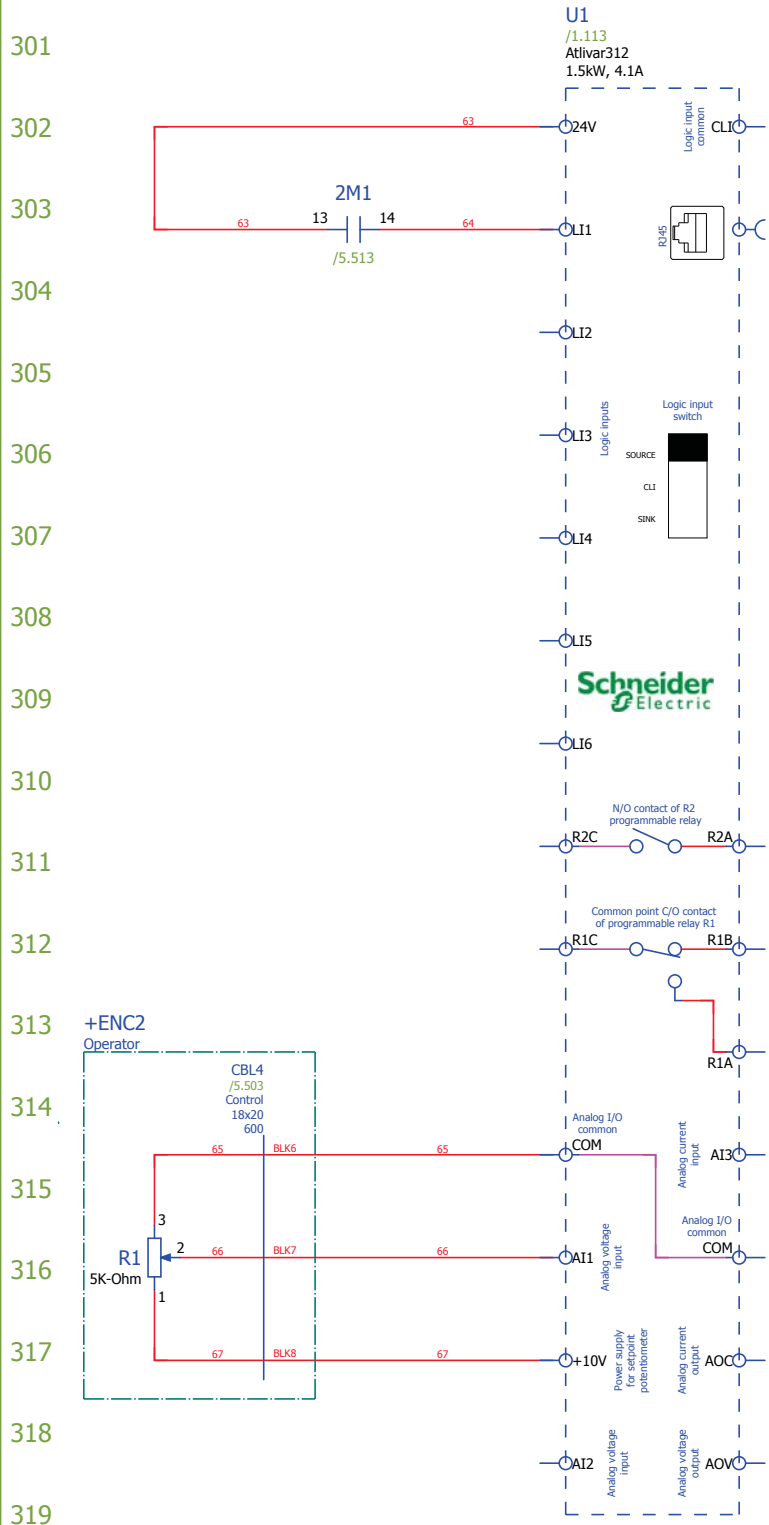
# Wood-Mizer®

Project Description: EG300EC25U		
Revision:	B3.00	Pg Desc: Power Pg 1
Mounting Location:	+ENC1	Type: Schematic multi-line
Prev. pg:	+/B1	Page: 1
		Next pg: 2
		Total Pgs: 27



**Wood-Mizer®**

Project Description: EG300EC25U			
Revision:	B3.00	Pg Desc: Power Pg 2	
Mounting Location:	+ENC1	Type: Schematic multi-line	
Prev. pg:	1	Page:	2
		Next pg:	3
		Total Pgs:	27

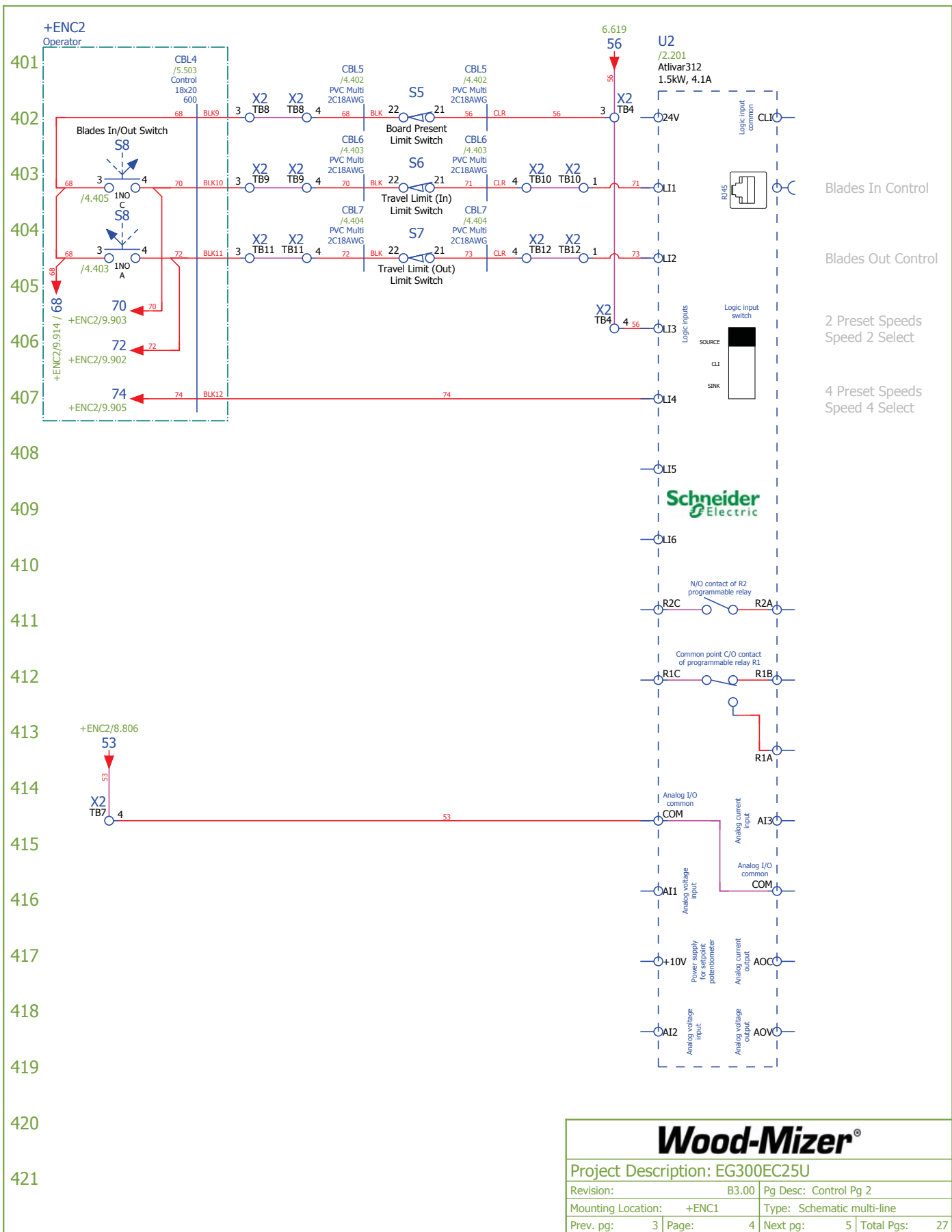


Feed Forward Control

Feed Speed Potentiometer

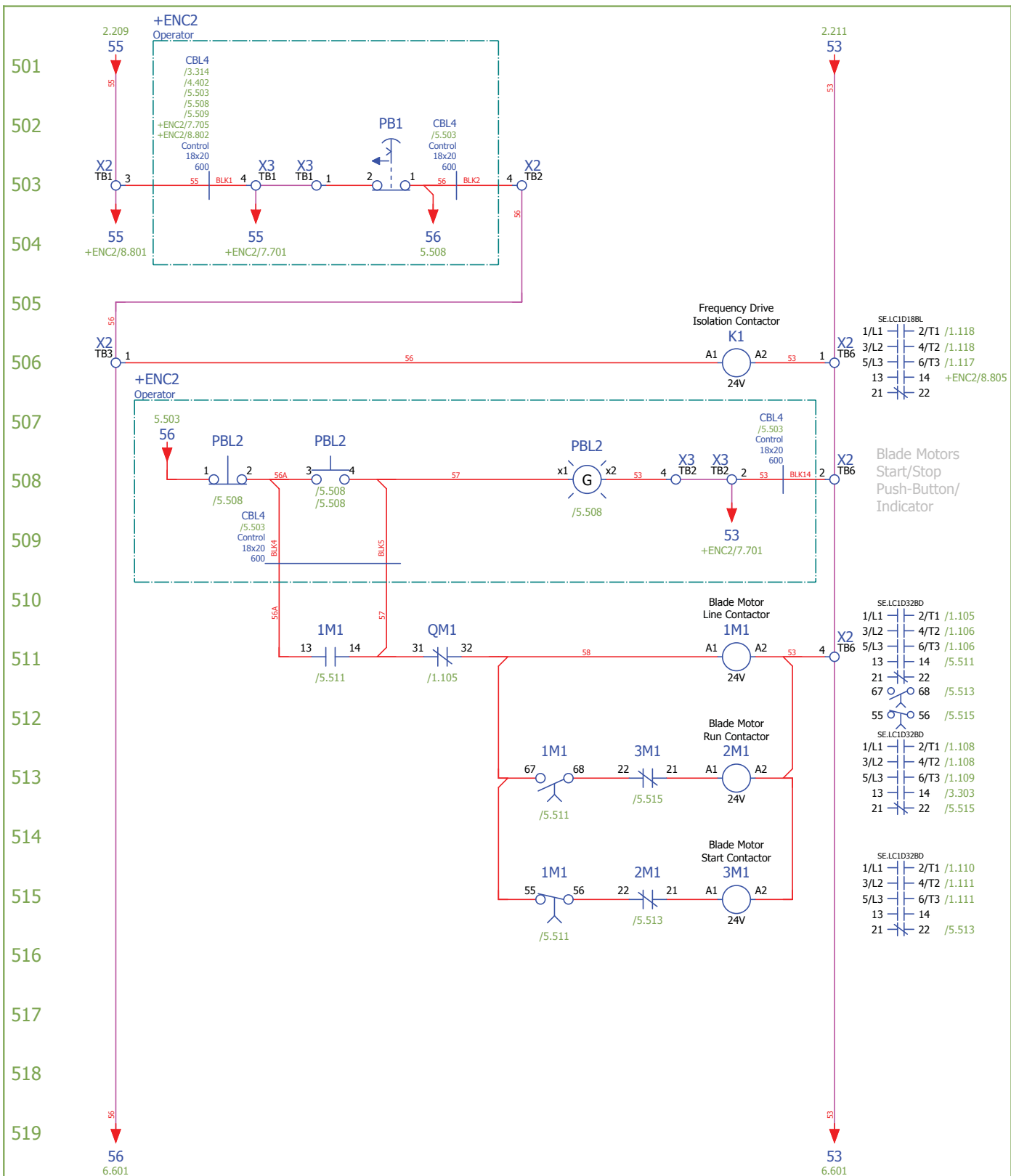
# Wood-Mizer®

Project Description: EG300EC25U			
Revision:	B3.00	Pg Desc: Control Pg 1	
Mounting Location:	+ENC1	Type: Schematic multi-line	
Prev. pg:	2	Page:	3
		Next pg:	4
		Total Pgs:	27



**Wood-Mizer®**

Project Description: EG300EC25U				
Revision:	B3.00	Pg Desc:	Control Pg 2	
Mounting Location:	+ENC1	Type:	Schematic multi-line	
Prev. pg:	3	Page:	4	Total Pgs: 27

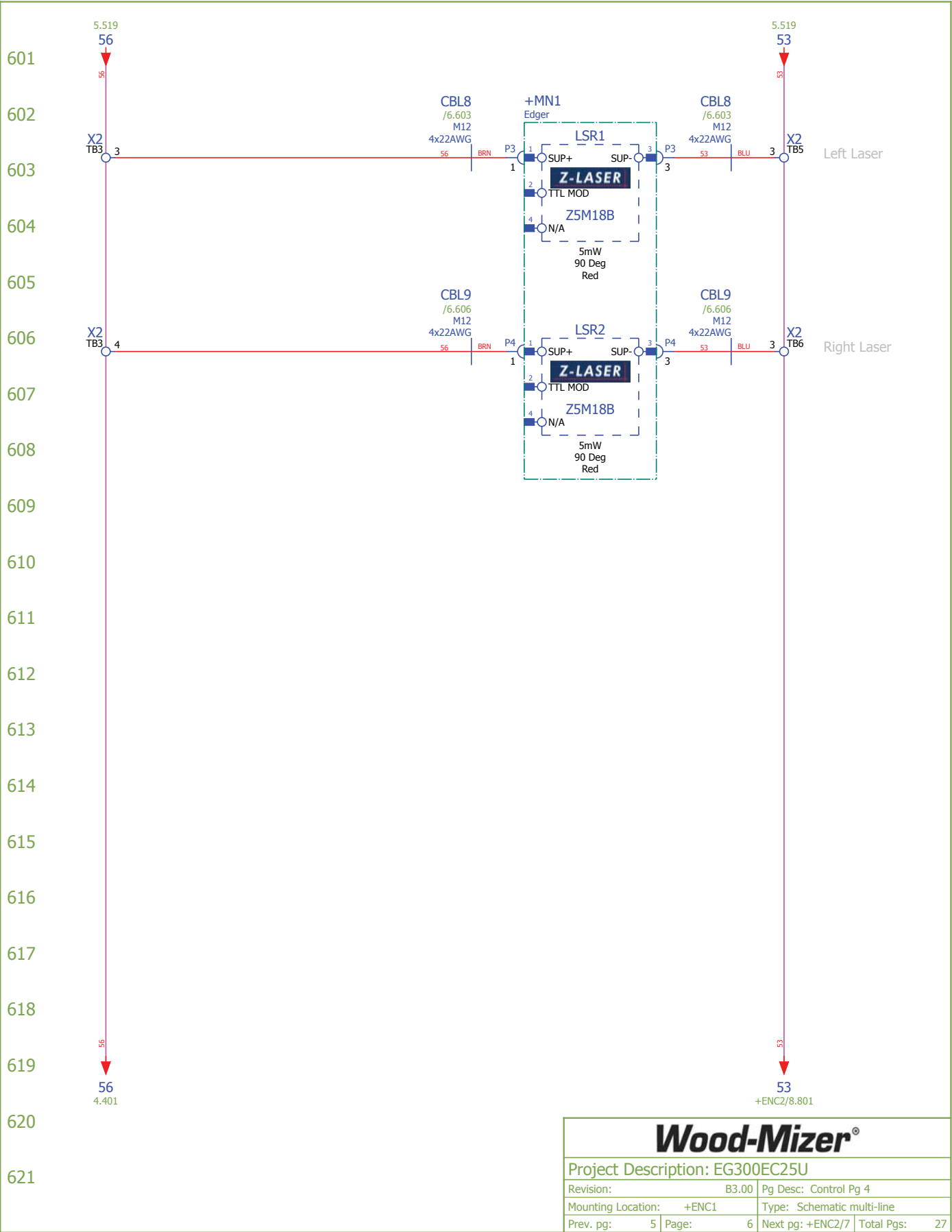


501  
502  
503  
504  
505  
506  
507  
508  
509  
510  
511  
512  
513  
514  
515  
516  
517  
518  
519  
520  
521

# Wood-Mizer®

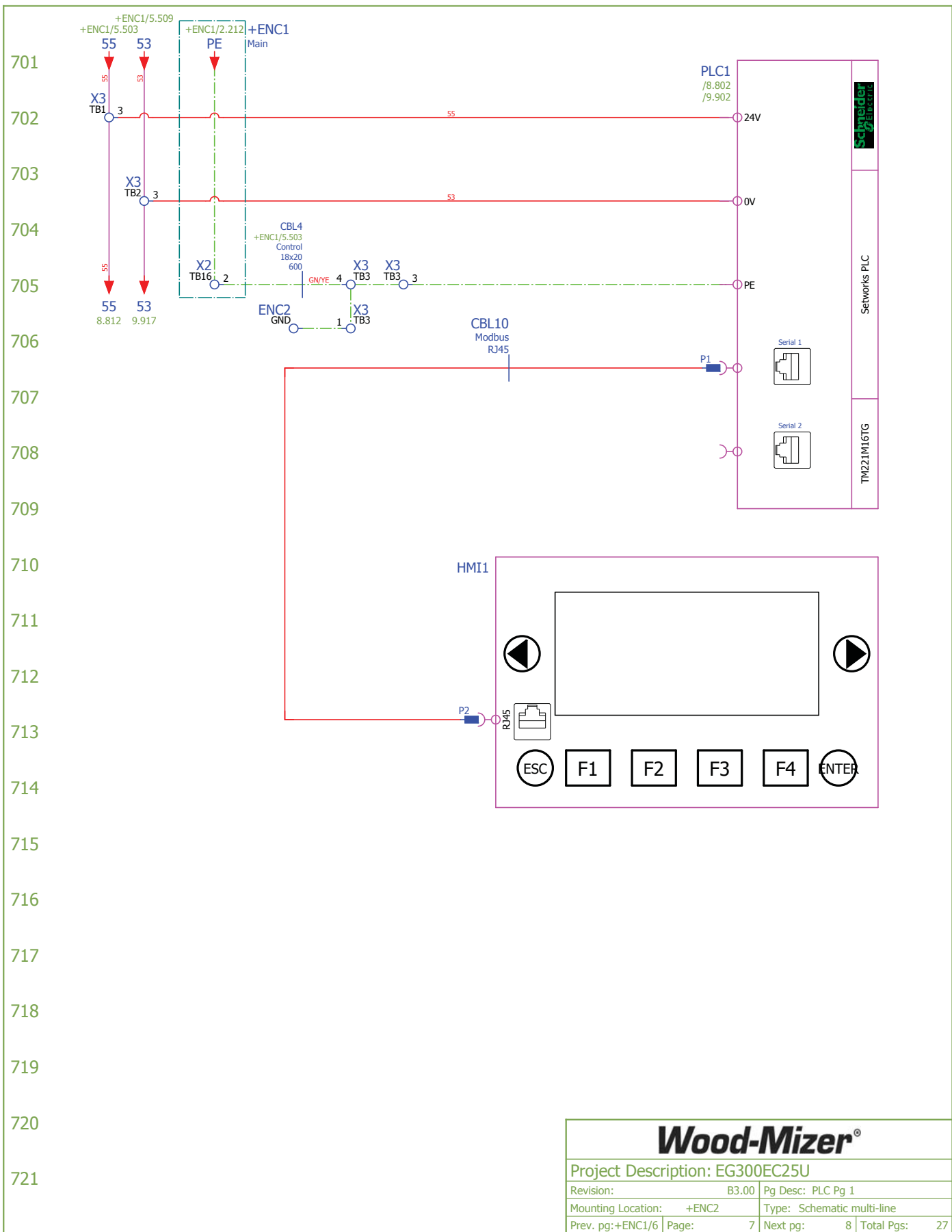
Project Description: EG300EC25U			
Revision:	B3.00	Pg Desc:	Control Pg 3
Mounting Location:	+ENC1	Type:	Schematic multi-line
Prev. pg:	4	Page:	5
		Next pg:	6
		Total Pgs:	27

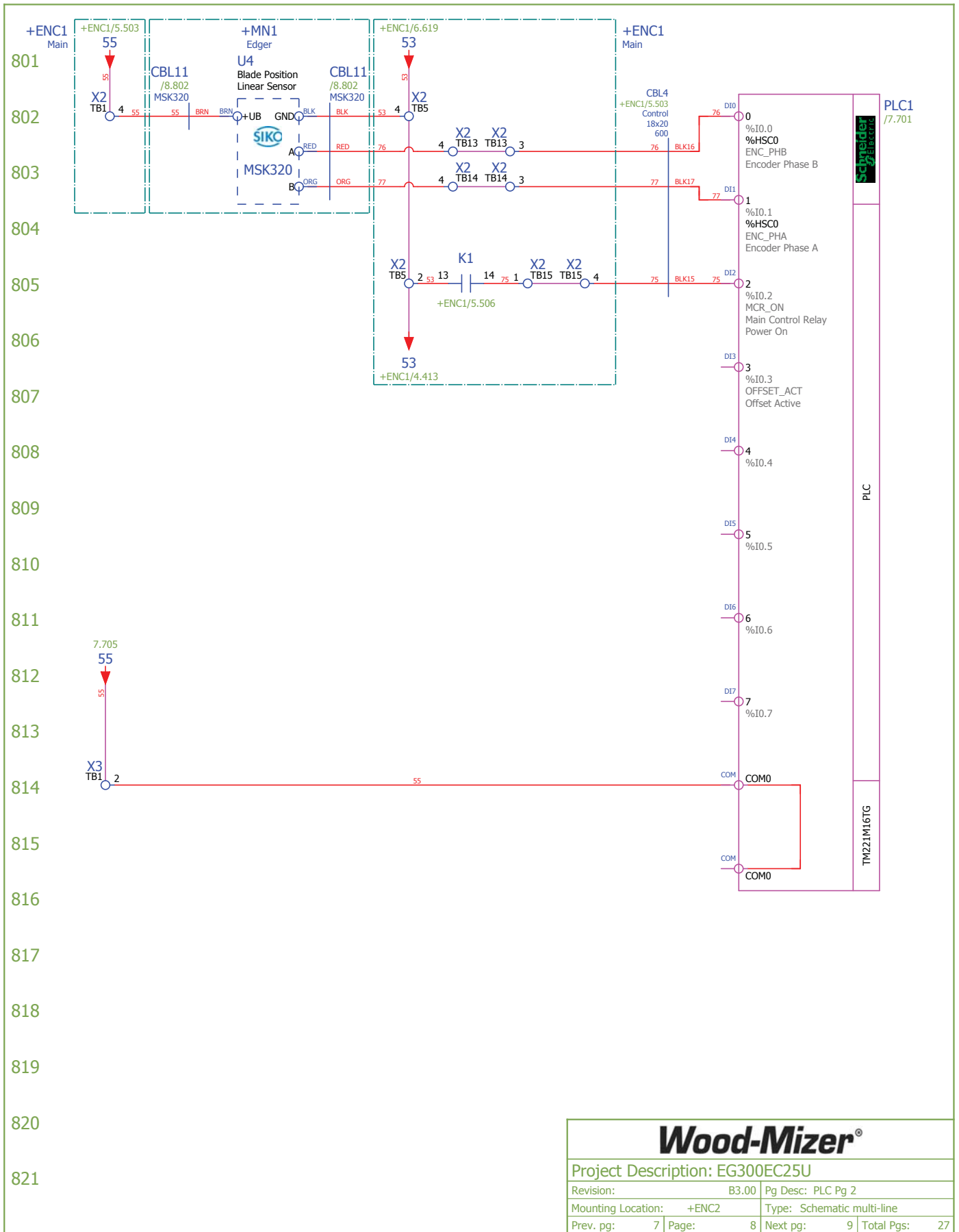




**Wood-Mizer®**

Project Description: EG300EC25U			
Revision:	B3.00	Pg Desc:	Control Pg 4
Mounting Location:	+ENC1	Type:	Schematic multi-line
Prev. pg:	5	Page:	6
		Next pg:	+ENC2/7
		Total Pgs:	27



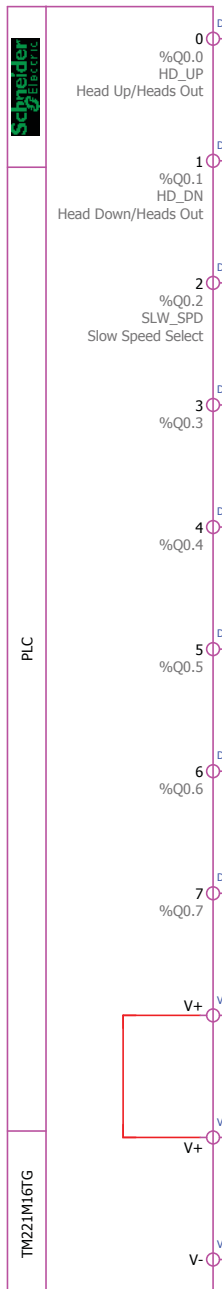


**Wood-Mizer®**

Project Description: EG300EC25U			
Revision:	B3.00	Pg Desc: PLC Pg 2	
Mounting Location:	+ENC2	Type: Schematic multi-line	
Prev. pg:	7	Page:	8
		Next pg:	9
		Total Pgs:	27

901  
902  
903  
904  
905  
906  
907  
908  
909  
910  
911  
912  
913  
914  
915  
916  
917  
918  
919  
920  
921

PLC1  
/7.701



# Wood-Mizer®

Project Description: EG300EC25U			
Revision:	B3.00	Pg Desc: PLC Pg 3	
Mounting Location:	+ENC2	Type: Schematic multi-line	
Prev. pg:	8	Page:	9
Disruption/C1		Total Pgs:	27



# Terminal line-up diagram

Wood-Mizer\_Terminal\_Lineup\_Diagram

## Terminal strip +ENC1-ENC1

Terminal				Jumper		End Plate	Remark	Terminal X-Ref
Designation	Level	P/N	Description	Diagram	Part number	Part number		
DR								/1.02
LS								/1.02

**Wood-Mizer®**

Project Description: EG300EC25U

Revision: B3.00 Pg Desc: Terminal line-up diagram

Mounting Location: +Documentation Type: Terminal line-up diagram

Prev. pg: C1 Page: D1 Next pg: D2 Total Pgs: 27

# Terminal line-up diagram

Wood-Mizer\_Terminal\_Lineup\_Diagram

Terminal strip +ENC1-X1								
Terminal				Jumper		End Plate	Remark	Terminal X-Ref
Designation	Level	P/N	Description	Diagram	Part number	Part number		
TB1		068111	Terminal Block, 2 Pos 16mm GND Clamp	•		068112		/1.02

**Wood-Mizer®**

Project Description: EG300EC25U			
Revision:	B3.00	Pg Desc:	Terminal line-up diagram
Mounting Location:	+Documentation	Type:	Terminal line-up diagram
Prev. pg:	D1	Page:	D2
Next pg:	D3	Total Pgs:	27

# Terminal line-up diagram

Wood-Mizer\_Terminal\_Lineup\_Diagram

## Terminal strip +ENC1-X2

Terminal				Jumper		End Plate	Remark	Terminal X-Ref
Designation	Level	P/N	Description	Diagram	Part number	Part number		
TB1		068103	Terminal Block, 4Pos 1.5mm Com Clamp	┆				/2.09
TB2		068103	Terminal Block, 4Pos 1.5mm Com Clamp	●	068113		Jumper Is Trimmed Down To 2 Position Jumper Between TB2-3	/5.03
TB3		068103	Terminal Block, 4Pos 1.5mm Com Clamp	●				/5.06
TB4		068103	Terminal Block, 4Pos 1.5mm Com Clamp	●				/4.06
TB5		068103	Terminal Block, 4Pos 1.5mm Com Clamp	●	068113		Jumper Is Trimmed Down To 2 Position Jumper Between TB4-5	/2.11
TB6		068103	Terminal Block, 4Pos 1.5mm Com Clamp	●				/5.06
TB7		068103	Terminal Block, 4Pos 1.5mm Com Clamp	●				/4.15
TB8		068103	Terminal Block, 4Pos 1.5mm Com Clamp	┆				/4.02
TB9		068103	Terminal Block, 4Pos 1.5mm Com Clamp	┆				/4.03
TB10		068103	Terminal Block, 4Pos 1.5mm Com Clamp	┆				/4.03
TB11		068103	Terminal Block, 4Pos 1.5mm Com Clamp	┆				/4.05
TB12		068103	Terminal Block, 4Pos 1.5mm Com Clamp	┆				/4.05
TB13		068103	Terminal Block, 4Pos 1.5mm Com Clamp	┆				+ENC2/8.03
TB14		068103	Terminal Block, 4Pos 1.5mm Com Clamp	┆				+ENC2/8.03
TB15		068103	Terminal Block, 4Pos 1.5mm Com Clamp	┆		068105		+ENC2/8.05
TB16		068104	Terminal Block, 4Pos 1.5mm GND Clamp	┆		068105		/1.16
TB17		068107	Terminal Block, 2Pos 4mm GND Clamp	┆		068108		/1.02

**Wood-Mizer®**

Project Description: EG300EC25U

Revision: B3.00 Pg Desc: Terminal line-up diagram

Mounting Location: +Documentation Type: Terminal line-up diagram

Prev. pg: D2 Page: D3 Next pg: D4 Total Pgs: 27



# Terminal line-up diagram

Wood-Mizer\_Terminal\_Lineup\_Diagram

Terminal strip +ENC2-ENC2								
Terminal				Jumper		End Plate	Remark	Terminal
Designation	Level	P/N	Description	Diagram	Part number	Part number		X-Ref
GND								/7.06

**Wood-Mizer®**

Project Description: EG300EC25U			
Revision:	B3.00	Pg Desc:	Terminal line-up diagram
Mounting Location:	+Documentation	Type:	Terminal line-up diagram
Prev. pg:	D3	Page:	D4
Next pg:	D5	Total Pgs:	27

# Terminal line-up diagram

Wood-Mizer\_Terminal\_Lineup\_Diagram

Terminal strip +ENC2-X3								
Terminal				Jumper		End Plate	Remark	Terminal X-Ref
Designation	Level	P/N	Description	Diagram	Part number	Part number		
TB1		068103	Terminal Block, 4Pos 1.5mm Com Clamp	■				+ENC1/5.03
TB2		068103	Terminal Block, 4Pos 1.5mm Com Clamp	■		068105		+ENC1/5.08
TB3		068104	Terminal Block, 4Pos 1.5mm GND Clamp	■		068105		/7.05

**Wood-Mizer®**

Project Description: EG300EC25U			
Revision:	B3.00	Pg Desc:	Terminal line-up diagram
Mounting Location:	+Documentation	Type:	Terminal line-up diagram
Prev. pg:	D4	Page:	D5
Next pg:	E1	Total Pgs:	27

# Cable overview

Wood-Mizer\_Cable\_Overview

Cable Designation	Cable Part Number	Cable Description	Cable X-Ref
CBL1	078413	Cable Assy, Edger Blade Motor	+ENC1/1.105
CBL2	078414	Cable Assy, Edger Feed Motor	+ENC1/1.118
CBL3	078415	Cable Assy, Edger Blade Position Motor	+ENC1/2.207
CBL4	078416	Cable Assy, Edger Operator	+ENC1/5.503
CBL5	078417	Cable Assy, Edger Board Switch	+ENC1/4.402
CBL6	078418	Cable Assy, Edger Blades In Switch	+ENC1/4.403
CBL7	078419	Cable Assy, Edger Blades Out Switch	+ENC1/4.404
CBL8	078420	Cable Assy, Edger Laser Left	+ENC1/6.603
CBL9	078421	Cable Assy, Edger Laser Right	+ENC1/6.606
CBL10	078423	Cable Assy, Edger Modbus Comms	+ENC2/7.706
CBL11	096014	Sensor Assy, MSK320 (Integrated Into Sensor)	+ENC2/8.802

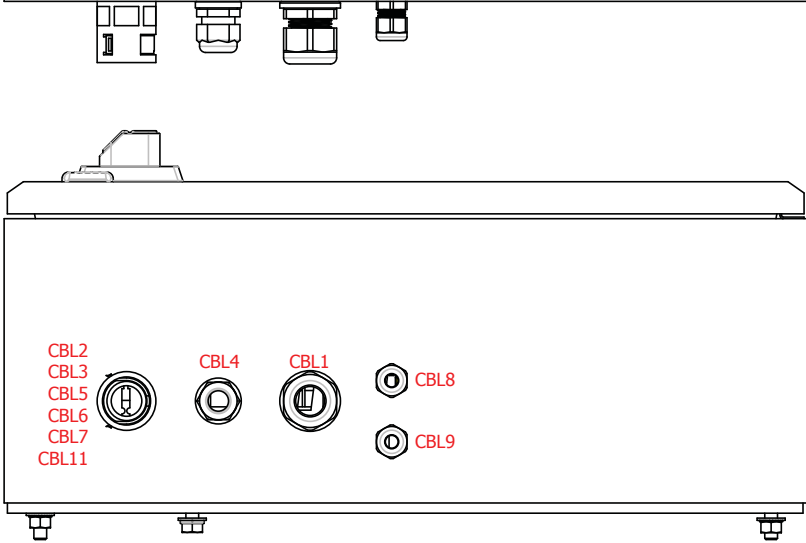
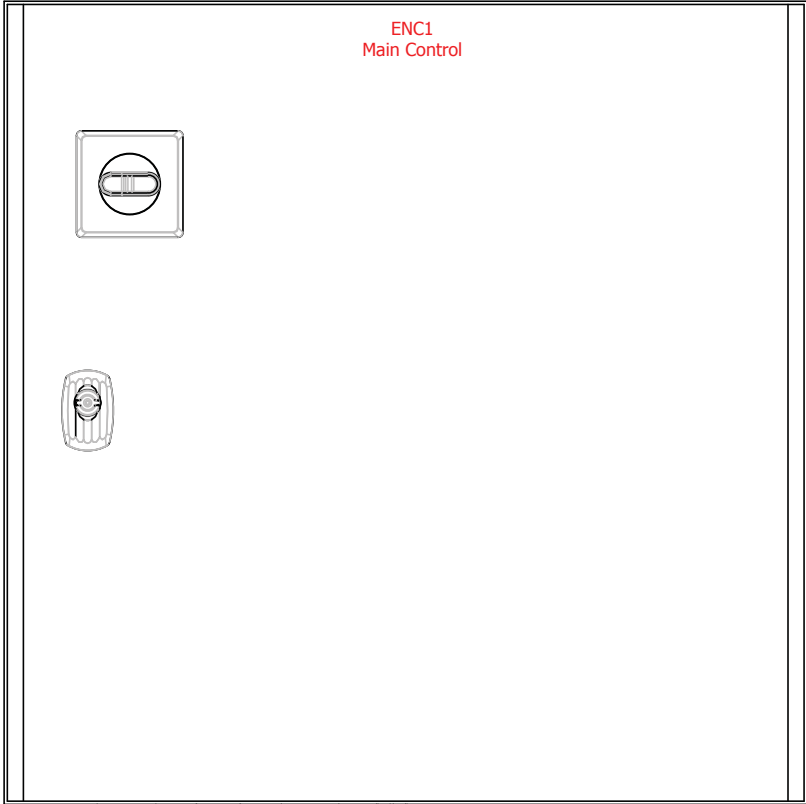
**Wood-Mizer®**

Project Description: EG300EC25U

Revision: B3.00 Pg Desc: Cable overview

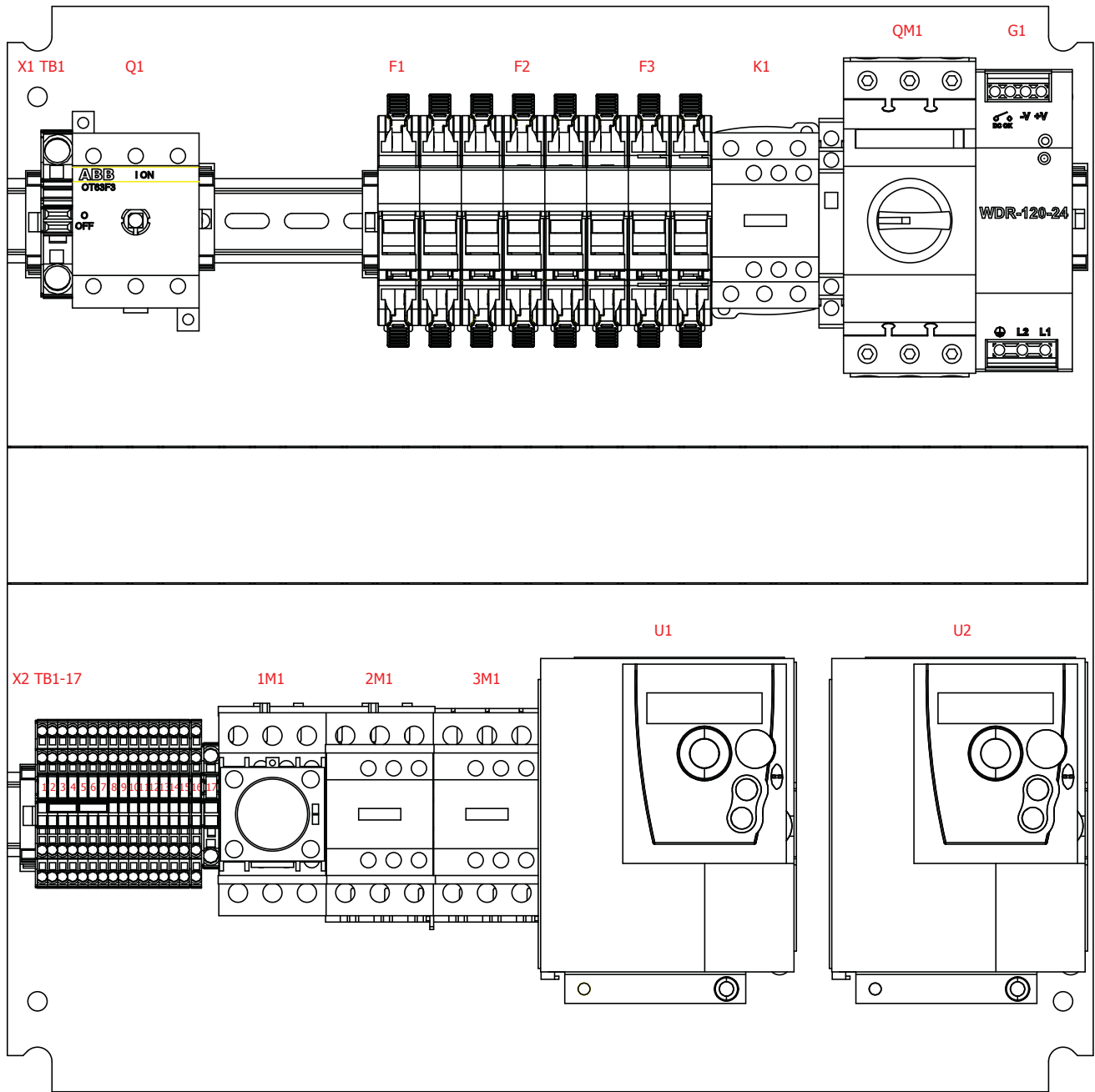
Mounting Location: +Documentation Type: Cable overview

Prev. pg: D5 Page: E1 Next pg: F1 Total Pgs: 27



**Wood-Mizer®**

Project Description: EG300EC25U			
Revision:	B3.00	Pg Desc:	Main Control Layout
Mounting Location:	+Documentation	Type:	Panel layout
Prev. pg:	E1	Page:	F1
Next pg:	F2	Total Pgs:	27



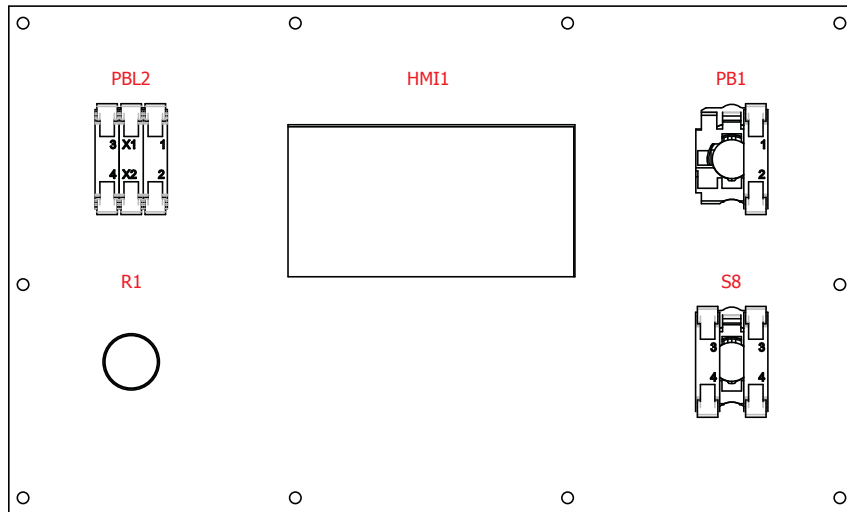
**Wood-Mizer®**

Project Description: EG300EC25U

Revision: B3.00 Pg Desc: Main Control Insert Layout

Mounting Location: +Documentation type: Panel layout

Prev. pg: F1 Page: F2 Next pg: F3 Total Pgs: 27



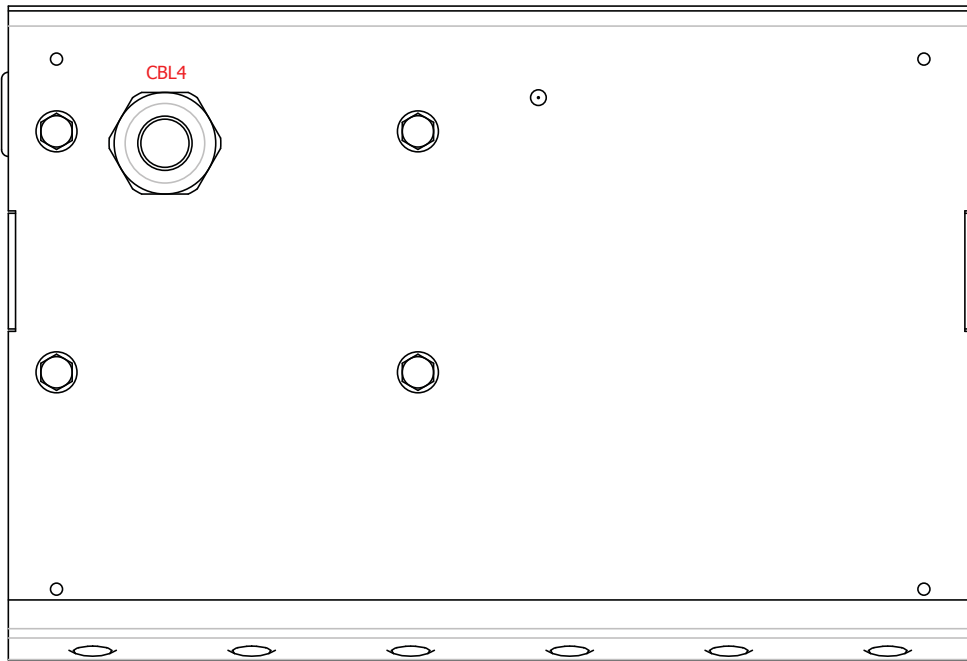
**Wood-Mizer®**

Project Description: EG300EC25U

Revision: B3.00 Pg Desc: Operator Face Layout

Mounting Location: +Documentation Type: Panel layout

Prev. pg: F2 Page: F3 Next pg: F4 Total Pgs: 27



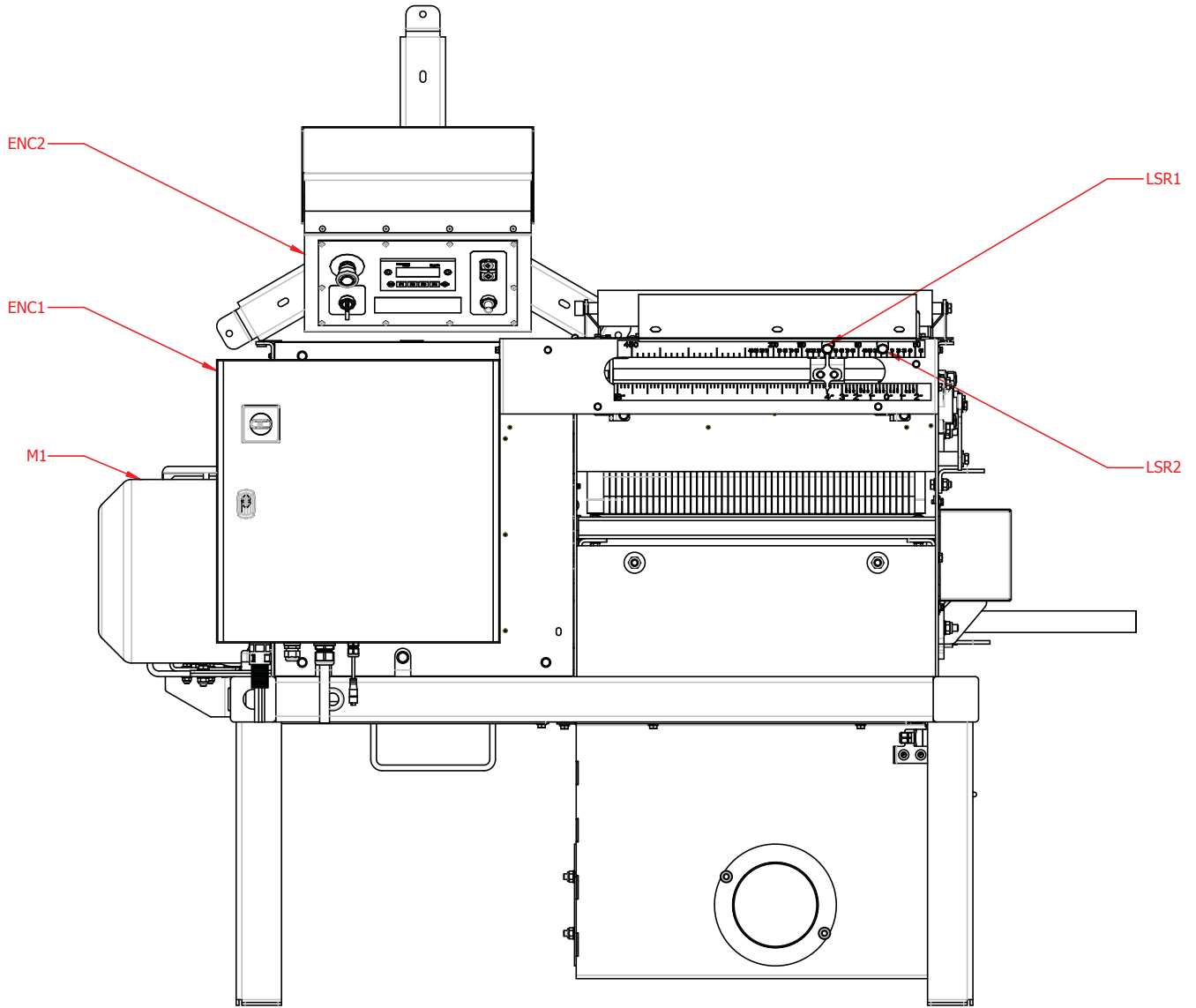
**Wood-Mizer®**

Project Description: EG300EC25U

Revision: B3.00 Pg Desc: Operator Cable Layout

Mounting Location: +Documentation Type: Panel layout

Prev. pg: F3 Page: F4 Next pg: F5 Total Pgs: 27



**Wood-Mizer®**

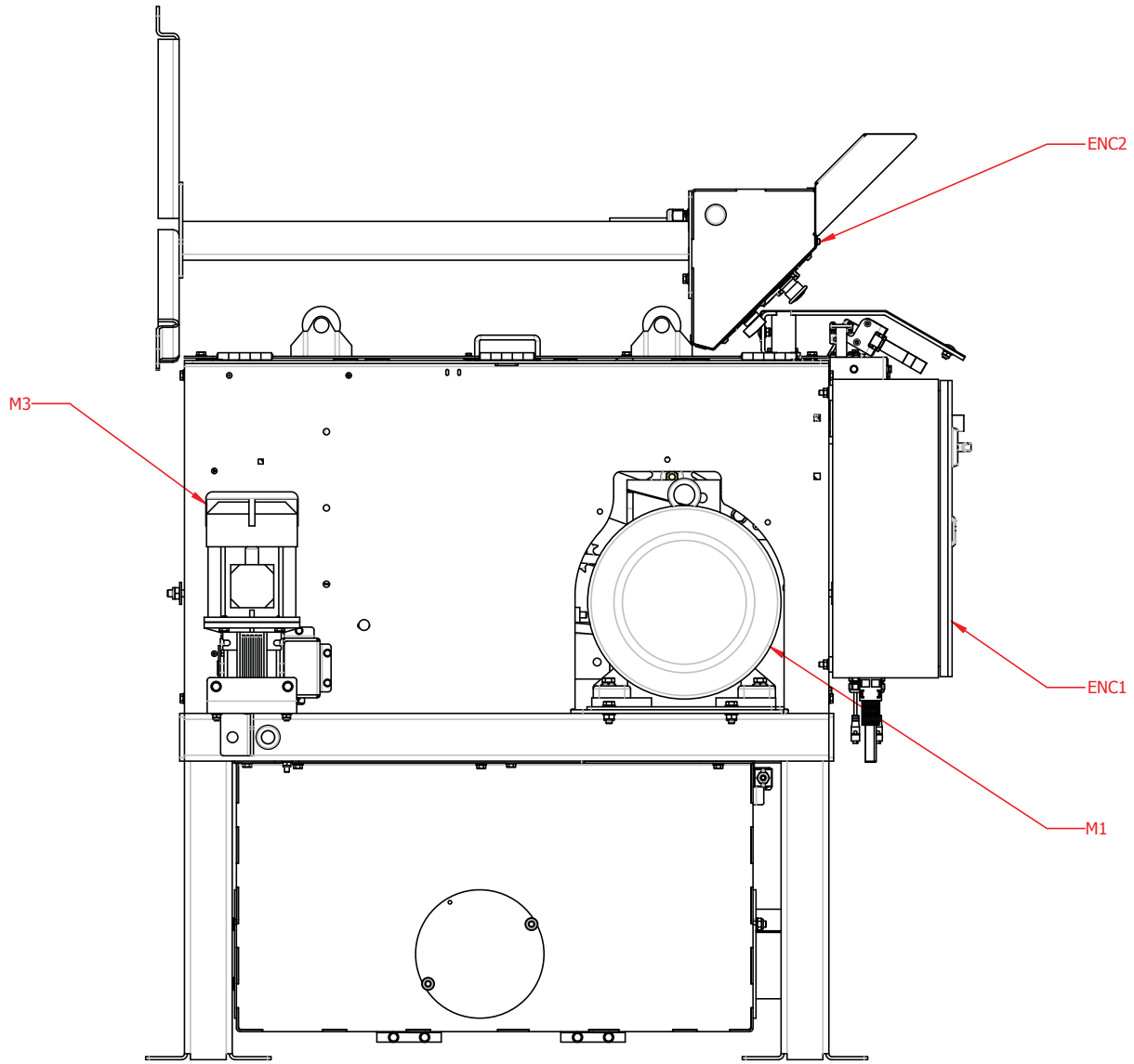
Project Description: EG300EC25U

Revision: B3.00 Pg Desc: Machine Layout Front

Mounting Location: +Documentation Type: Panel layout

Prev. pg: F4 Page: F5 Next pg: F6 Total Pgs: 27





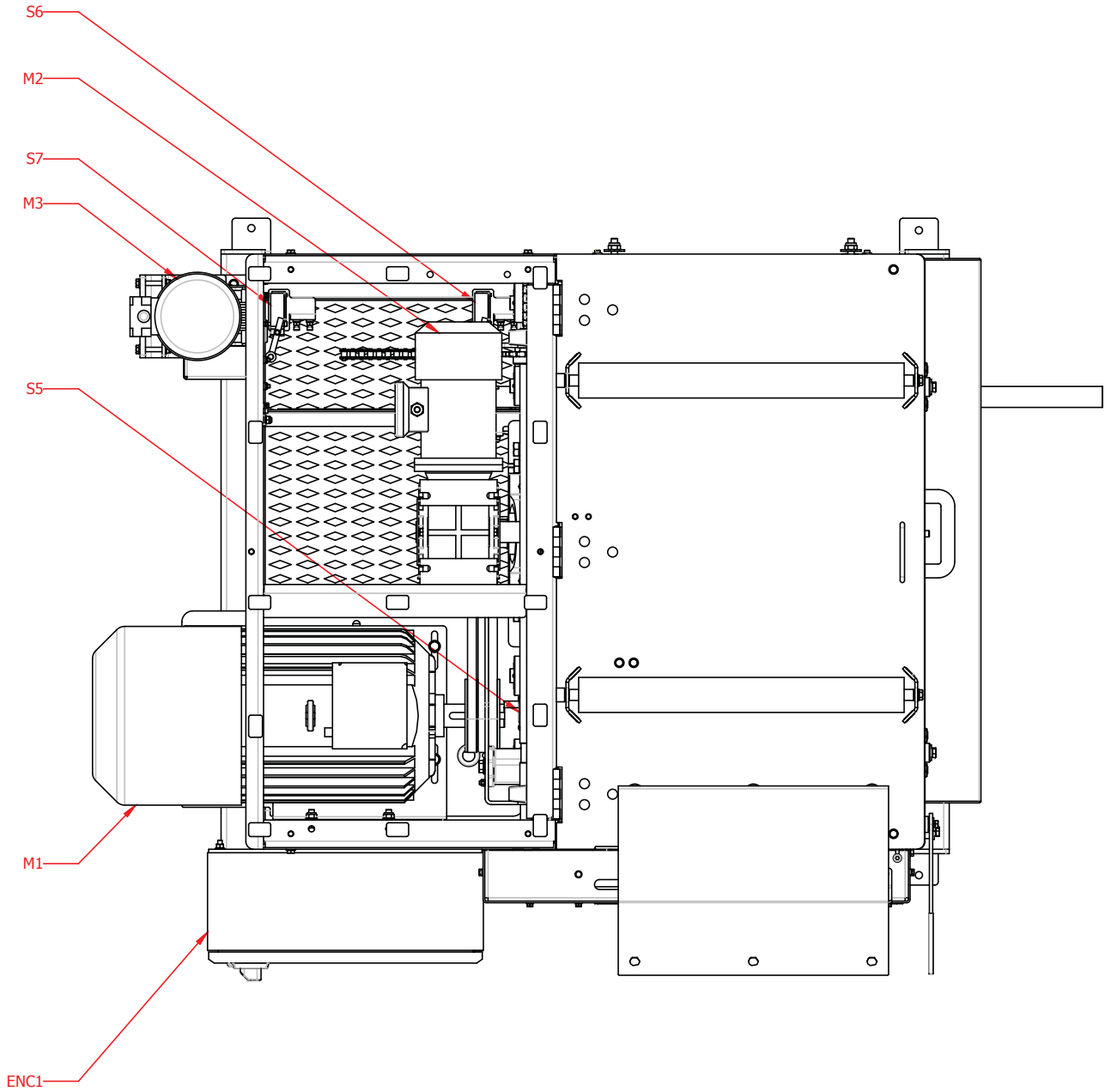
**Wood-Mizer®**

Project Description: EG300EC25U

Revision: B3.00 Pg Desc: Machine Layout Left

Mounting Location: +Documentation Type: Panel layout

Prev. pg: F5 Page: F6 Next pg: F7 Total Pgs: 27



**Wood-Mizer®**

Project Description: EG300EC25U

Revision: B3.00 Pg Desc: Machine Layout Top

Mounting Location: +Documentation Type: Panel layout

Prev. pg: F6 Page: F7 Next Pg: Docs/G1 Total Pgs: 27