

Safety, Operation, Maintenance & Parts Manual

CBT2W-430

Rev. A1.00 - A1.00



Safety is our #1 concern! Read and understand all safety information and instructions before operating, setting up or maintaining this machine.

Form #2061

Table of Contents

Section-Page

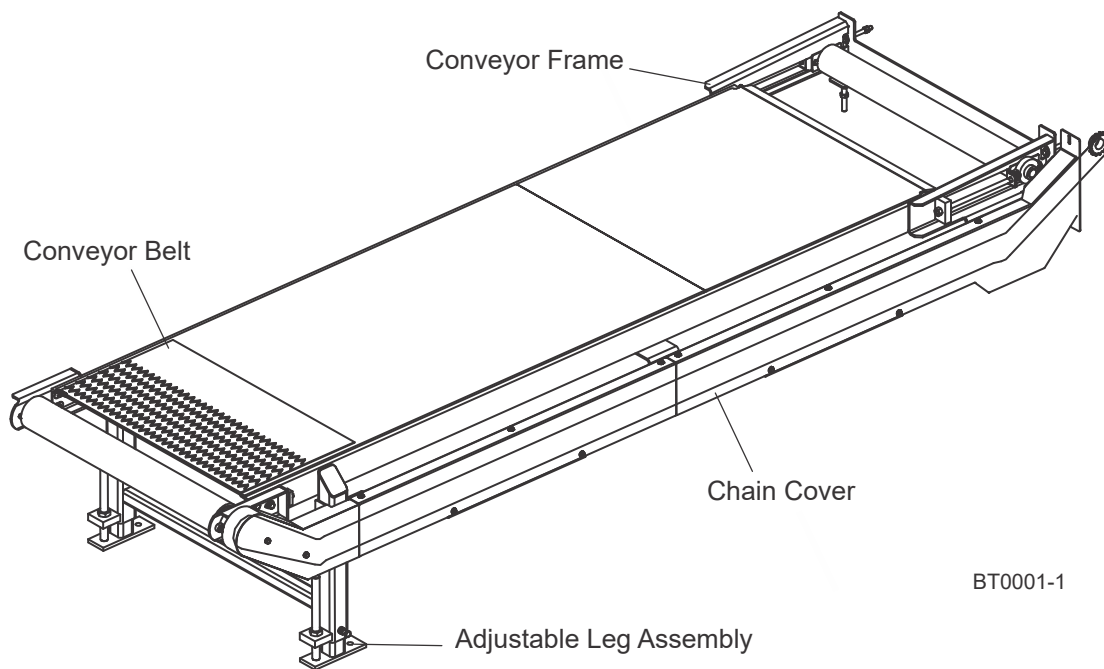
SECTION 1	INTRODUCTION	1-1
1.1	About This Manual.....	1-1
1.2	Getting Service.....	1-2
1.3	Customer and Equipment Identification.....	1-4
1.4	Dimensions.....	1-5
1.5	Specifications.....	1-7
SECTION 2	SAFETY	2-1
2.1	Safety Symbols.....	2-1
2.2	Safety Instructions.....	2-2
SECTION 3	SETUP AND OPERATION	3-1
3.1	Setup.....	3-1
3.2	Starting And Stopping The Machine.....	3-4
SECTION 4	MAINTENANCE	4-1
4.1	Belt Tension and Alignment.....	4-1
4.2	Drive Chain Tension.....	4-3
4.3	Lubrication.....	4-4
SECTION 5	REPLACEMENT PARTS	5-1
5.1	How To Use The Parts List.....	5-1
5.2	Sample Assembly.....	5-1
5.3	Outfeed, Drive Side.....	5-2
5.4	Adjustable Legs.....	5-4
5.5	Infeed, Idle Side.....	5-5
5.6	Conveyor Extension Assembly (Optional).....	5-7
	INDEX	I

SECTION 1 INTRODUCTION

1.1 About This Manual

This manual is to replace or to be used with all previous information received concerning the conveyor. All future mailings will be an addition to or a revision of individual sections of this manual as we obtain new information.

The information and instructions given in this manual do not amend or extend the limited warranties for the equipment given at the time of purchase.



1.2 Getting Service

Wood-Mizer is committed to providing you with the latest technology, best quality and strongest customer service available on the market today. We continually evaluate our customers' needs to ensure we're meeting current wood-processing demands. Your comments and suggestions are welcome.

General Contact Information

Toll free phone numbers are listed below for the *continental* U.S. and Canada. See the next page for contact information for specific Wood-Mizer locations.

	United States	Canada
Sales	1-800-553-0182	1-877-866-0667
Service	1-800-525-8100	1-877-866-0667
Website	www.woodmizer.com	www.woodmizer.ca
E-mail	woodmizer@woodmizer.com	oninfo@woodmizer.com

Office Hours: All times are Eastern Standard Time. Please remember that Indiana does not observe Daylight Savings Time in the summer.

Monday - Friday	Saturday (Indianapolis Office Only)	Sunday
8 a.m. to 5 p.m.	8 a.m. to 12 p.m.	Closed

Please have your serial number and your customer number ready when you call. The serial number is stamped on the identification tag on the side of the frame.

Wood-Mizer will accept these methods of payment:

- Visa, Mastercard, or Discover
- COD
- Prepayment
- Net 15 (with approved credit)

Be aware that shipping and handling charges may apply. Handling charges are based on size and quantity of order. In most cases, items will ship on the day they are ordered. Second Day and Next Day shipping are available at additional cost.

If your equipment was purchased outside the United States or Canada, contact the distributor for service.

Wood-Mizer Locations

USA World Headquarters

Serving North & South America, Oceania, East Asia

Wood-Mizer LLC
8180 West 10th Street
Indianapolis, IN 46214

Phone: 317.271.1542 or 800.553.0182
Customer Service: 800.525.8100
Fax: 317.273.1011
Email: infocenter@woodmizer.com

Canadian Headquarters

Serving Canada

Wood-Mizer Canada
396 County Road 36, Unit B
Lindsay, ON K9V 4R3

Phone: 705.878.5255 or 877.357.3373
Fax: 705.878.5355
Email: ContactCanada@woodmizer.com

Brazil Headquarters

Serving Brazil

Wood-Mizer do Brasil
Rua Dom Pedro 1, No: 205 Bairro: Sao Jose
Ivoti/RS CEP:93.900-000

Tel: +55 51 9894-6461/ +55 21 8030-3338/ +55 51
3563-4784
Email: info@woodmizer.com.br

Europe Headquarters

Serving Europe, Africa, West Asia

Wood-Mizer Industries Sp z o.o.
Nagorna 114
62-600 Kolo, Poland

Phone: +48.63.26.26.000
Fax: +48.63.27.22.327

Branches & Authorized Sales Centers

For a complete list of dealers, visit www.woodmizer.com

1 Introduction

Customer and Equipment Identification

1.3 Customer and Equipment Identification

An revision decal is located on the frame of the saw. You will also receive a customer number when you purchase your machine.

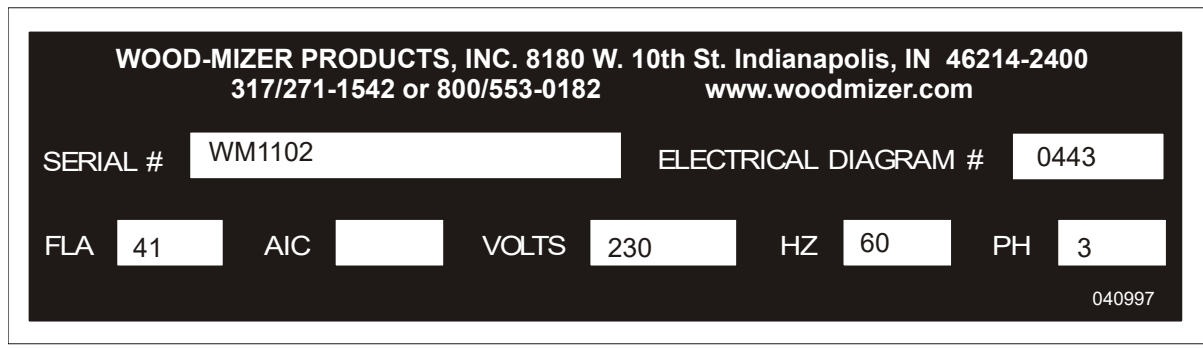
These numbers will help expedite our service to you. Please locate them now and write them below so you have quick, easy access to them.

Identification Information (To be filled in by purchaser)

Model No. _____

Revision No. _____

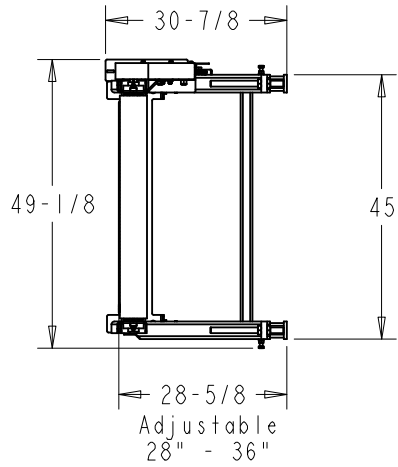
Customer No. _____



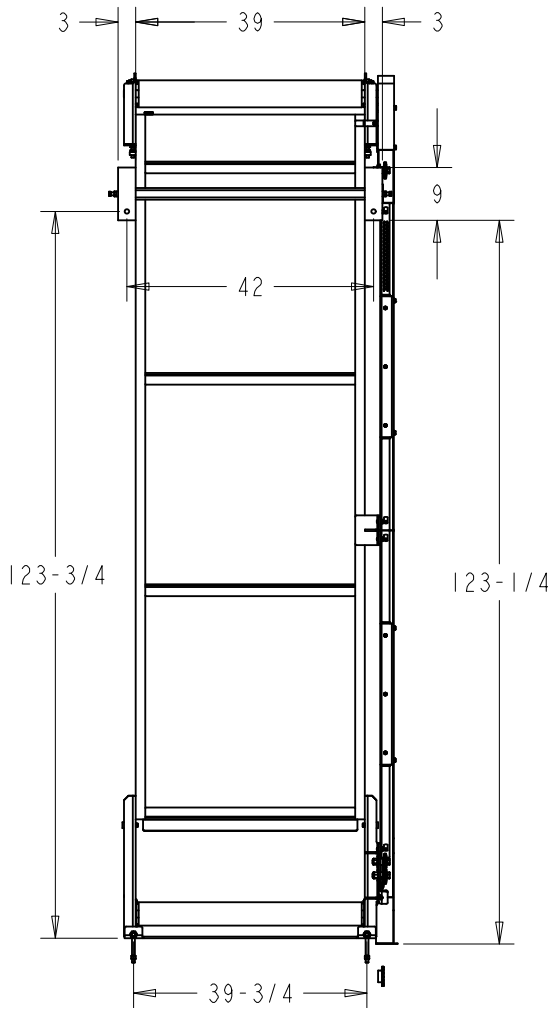
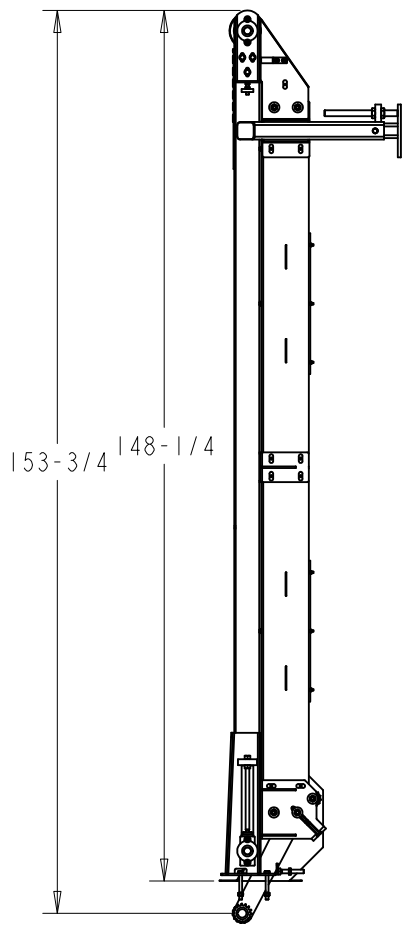
RP00002

IDENTIFICATION PLATE

1.4 Dimensions



BT0001-2

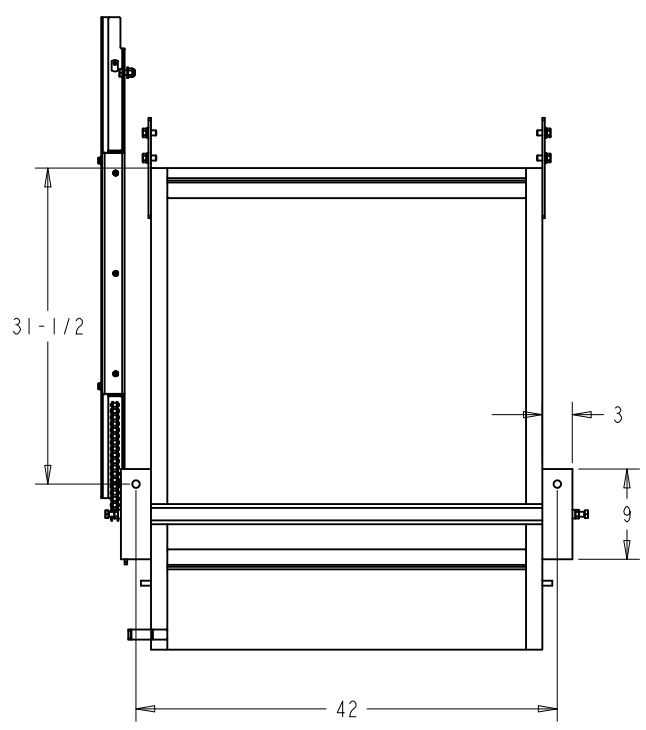
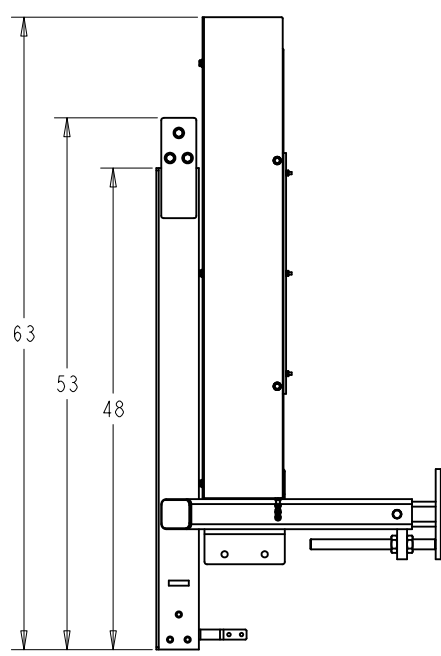
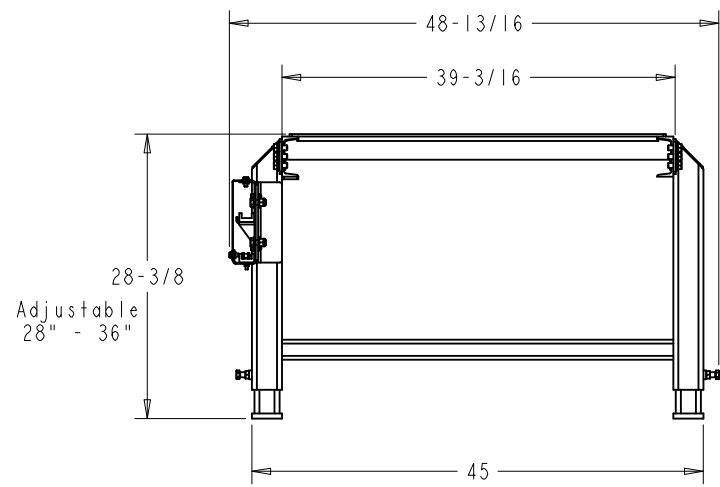


CONVEYOR DIMENSIONS

1 Introduction

Dimensions

BT0005



CONVEYOR EXTENSION DIMENSIONS (OPTIONAL)

1.5 Specifications

Model: CBT2W-430 Rev. A1.00+

Dimensions

Length: 153 3/4"
Width: 49 1/8"
Height: 30 7/8" (±5")
Height (Ground to Belt): 28" - 36" Adjustable

Weight:

Basic Unit: 900 lbs.

Capacity:

Board/Slab Length: 42" to 18'

CONVEYOR SPECIFICATIONS

SECTION 2 SAFETY

2.1 Safety Symbols

The following symbols and signal words call your attention to instructions concerning your personal safety. Be sure to observe and follow these instructions.



DANGER! indicates an imminently hazardous situation which, if not avoided, will result in death or serious injury.



WARNING! suggests a potentially hazardous situation which, if not avoided, could result in death or serious injury.



CAUTION! refers to potentially hazardous situations which, if not avoided, may result in minor or moderate injury or damage to equipment.



IMPORTANT! indicates vital information.

NOTE: gives helpful information.



Warning stripes are placed on areas where a single decal would be insufficient. To avoid serious injury, keep out of the path of any equipment marked with warning stripes.

2.2 Safety Instructions

NOTE: ONLY safety instructions regarding personal injury are listed in this section. Caution statements regarding only equipment damage appear where applicable throughout the manual.

OBSERVE SAFETY INSTRUCTIONS



IMPORTANT! Read the entire Owner's Manual before operating the Conveyor. Take notice of all safety warnings throughout this manual and those posted on the machine. Keep this manual with this machine at all times, regardless of ownership.

Also read any additional manufacturer's manuals and observe any applicable safety instructions including dangers, warnings, and cautions.

Only persons who have read and understood the entire operator's manual should operate the Conveyor. The Conveyor is not intended for use by or around children.

IMPORTANT! It is always the owner's responsibility to comply with all applicable federal, state and local laws, rules and regulations regarding the ownership and operation of your Conveyor. All owners are encouraged to become thoroughly familiar with these applicable laws and comply with them fully while using the Conveyor.



SETUP



WARNING! Use extreme care and proper equipment to lift and move the Conveyor. Lift under the base of the machine only. Failure to do so may result in personal injury and/or machine damage.

WEAR SAFETY CLOTHING



WARNING! Secure all loose clothing and jewelry before operating the Conveyor. Failure to do so may result in serious injury or death.

WARNING! Always wear eye, ear, respiration, and foot protection when operating or servicing the Conveyor.



KEEP CONVEYOR AND AREA AROUND CONVEYOR CLEAN



DANGER! Maintain a clean and clear path for all necessary movement around the Conveyor and lumber stacking areas. Failure to do so will result in serious injury.

DISPOSE OF SAWING BY-PRODUCTS PROPERLY



WARNING! Clean sawdust from all guards, vents, control boxes, or any area where sawdust may gather after every shift. Failure to do so may result in fire, causing death or serious injury.



IMPORTANT! Always properly dispose of all sawing by-products, including sawdust and other debris, coolant, oil, fuel, oil filters and fuel filters.

CHECK CONVEYOR BEFORE OPERATION



DANGER! Make sure all guards and covers are in place and secured before operating the Conveyor. Failure to do so may result in serious injury.



WARNING! Do not for any reason adjust the drive chains with the machine running. Doing so may result in serious injury.

KEEP PERSONS AWAY

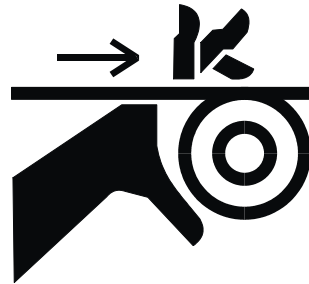


DANGER! Keep all persons out of the path of moving equipment and boards when operating the Conveyor. Failure to do so will result in serious injury.

KEEP HANDS AWAY

DANGER! Moving Parts Can Crush and Cut. Keep hands clear. Make sure all guards and covers are in place and secured before operating or towing. Failure to do so may result in serious injury.

DANGER! Always be aware of and take proper protective measures against rotating shafts, pulleys, sprockets, etc. Always stay a safe distance from rotating members and make sure that loose clothing or long hair does not engage rotating members resulting in possible injury.



WARNING! Coastdown Required. Always shut off the motor and allow all moving parts to come to a complete stop before removing any guards or covers. Do NOT operate with any guards or covers removed.

WARNING! Kickback Hazard. Stay clear of area during operation. Follow all anti-kickback service and safety rules. Failure to do so may result in serious injury.



LOCKOUT MACHINE BEFORE PERFORMING SERVICE

Turn off and lockout power to the Edger before servicing the Conveyor. See the lockout procedure provided in your Edger operator's manual.

USE PROPER PROCEDURE WHEN CONDUCTING ELECTRICAL SAFETY CHECKS AND MAINTENANCE



DANGER! Make sure all electrical installation, service and/or maintenance work is performed by a qualified electrician and is in accordance with applicable electrical codes.

DANGER! Hazardous voltage inside the electric disconnect box, starter box, and at the motor can cause shock, burns, or death. Disconnect and lock out power supply before servicing! Keep all electrical component covers closed and securely fastened during Conveyor operation.



WARNING! Consider all electrical circuits energized and dangerous.

WARNING! Never assume or take the word of another person that the power is off; check it out and lock it out.

WARNING! Do not wear rings, watches, or other jewelry while working around an open electrical circuit.

DANGER! Lockout procedures must be used during:

- Changing or adjusting blades
- Unjamming operations
- Cleaning
- Mechanical repair
- Electrical maintenance
- Retrieval of tools/parts from work area
- Activities where guards or electrical panel guard is open or removed

Maintenance hazards include:

- Blade contact
- Pinch points
- Kickbacks
- Missiles (thrown blades/wood chips)
- Electrical

Failure to lockout may result in:

- Cut
- Crush
- Blindness
- Puncture
- Serious injury and death
- Amputation
- Burn
- Shock
- Electrocution

To control maintenance dangers:

Lockout procedures must be followed (see ANSI Standard Z244.1-1982 and OSHA regulation 1910.147).

Never rely on machine stop control for maintenance safety (emergency stops, on/off buttons, interlocks).

Do not reach into moving blades or feed systems. Allow all coasting parts to come to a complete stop.

Electrical power supply and air supply must both be locked out.

Where established lockout procedures cannot be used (electrical troubleshooting or mechanical dynamic troubleshooting), alternative effective protective techniques shall be employed which may require special skills and planning.

Always follow safe operations practices in the workplace.

Conveyor LOCKOUT PROCEDURE

Lockout procedures must be followed (see ANSI Standard Z244.1-1982 and OSHA regulation 1910.147).

Purpose:

This procedure establishes the minimum requirements for lockout of energy sources that could cause injury.

Responsibility:

The responsibility for seeing that this procedure is followed is binding upon all workers. All workers shall be instructed in the safety significance of the lockout procedure. It is your responsibility to ensure safe operation of the machine.

Sequence of Lockout Procedure:

1. Notify all persons that a lockout is required and the reason therefore.
2. If the Conveyor is operating, shut it down by the normal stopping procedure.
3. Operate the switch (located on the edger control box) so that the energy sources are disconnected or isolated from the Conveyor. Stored energy such as moving blades and feed system shall be dissipated.
4. Lockout the energy isolating devices with assigned individual locks.
5. After ensuring that no persons are exposed and as a check on having disconnected the energy sources, operate the push button or other normal operating controls to make certain the Conveyor will not operate. Caution: Return operating controls to neutral position

after the test.

6. The Conveyor is now locked out.

Restoring Equipment to Service

1. When the job is complete and the Conveyor is ready for testing or normal service, check the Conveyor area to see that no one is exposed.
2. When the Conveyor is all clear, remove all locks. The energy isolating devices may be operated to restore energy to the Conveyor.

Procedure Involving More Than One Person

In the preceding steps, if more than one individual is required to lock out the Conveyor, each shall place his own personal lock on the energy isolating devices.

Rules for Using Lockout Procedure

The Conveyor shall be locked out to protect against accidental or inadvertent operation when such operation could cause injury to personnel. Do not attempt to operate any switch or valve bearing a lock.

Owner's Responsibility

The procedures listed in this manual may not include all ANSI, OSHA, or locally required safety procedures. It is the owner/operator's responsibility and not AWMV Products to ensure all operators are properly trained and informed of all safety protocols. Owner/Operators are responsible for following all safety procedures when operating and performing maintenance to the Conveyor.

SECTION 3 SETUP AND OPERATION

3.1 Setup

Use a forklift or other appropriate equipment to move the conveyor.

WARNING! Use extreme care and proper equipment to lift and move the conveyor. Lift under the base of the machine only. Failure to do so may result in personal injury and/or machine damage.

Place the conveyor on a concrete foundation strong enough to support the weight of the machine. Allow for room around the unit.

See Figure 3-1. Remove the edger feed cover and disassemble the feed access cover from the feed cover. Remove the conveyor drive cover. Position the conveyor on the out-feed side of the edger. Install the provided 5/8-11 x 4" bolts and jam nuts to the threaded blocks on the edger frame. **NOTE:** Insert the bolts through the slots in the conveyor frame before installing the conveyor to the edger. Rest the conveyor frame on the bolts and adjust the bolts up or down to position the conveyor belt 1 - 2" lower than the upper edge of the edger outfeed rollers to allow for a slight drop of boards from the edger. Secure the conveyor to the edger frame using four 1/2-13 x 4 1/2" hex head bolts, flat washers and nylon lock nuts.

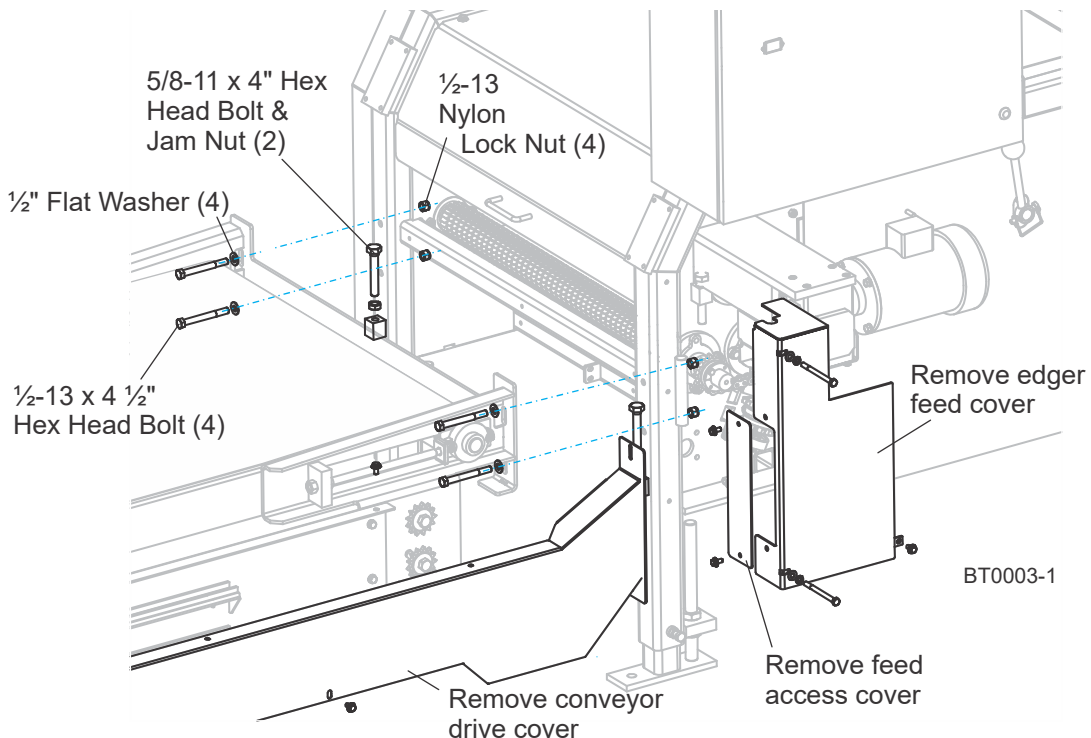


FIG. 3-1

3

Setup and Operation

Setup

See Figure 3-2. Adjust the conveyor legs so the feet firmly contact the ground. Loosen the locking bolt. Turn the adjustment nuts counterclockwise to raise the conveyor, turn the adjustment nuts clockwise to lower the conveyor. Make sure the unit is level before securing.

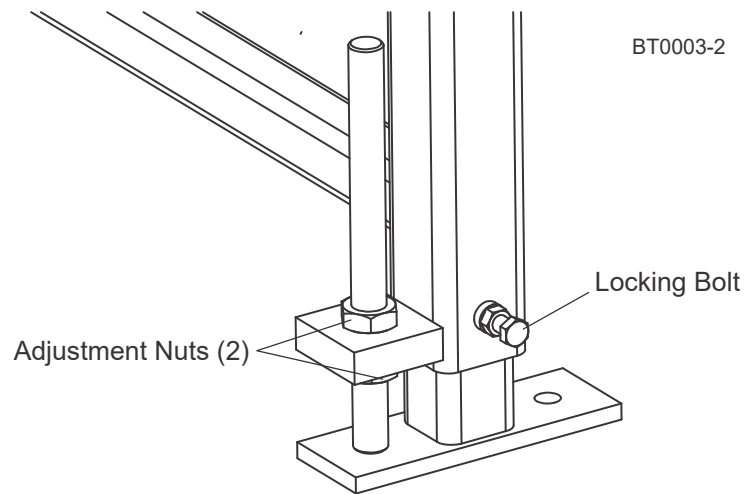


FIG. 3-2

Tighten the adjustment nuts when the height adjustment is complete. Secure the leg with the locking bolt. Secure the conveyor to the foundation with anchor bolts.

See Figure 3-3. Install the provided sprocket to the edger feed shaft. Secure the sprocket to the feed shaft by tightening the sprocket set screw. Install the conveyor drive chain around the sprockets on the conveyor and edger as shown below. Turn the nuts on the idler sprocket adjustment rod to adjust the idler sprocket until it engages the chain ([See Section 4.2](#)). Retighten the adjustment rod nuts.

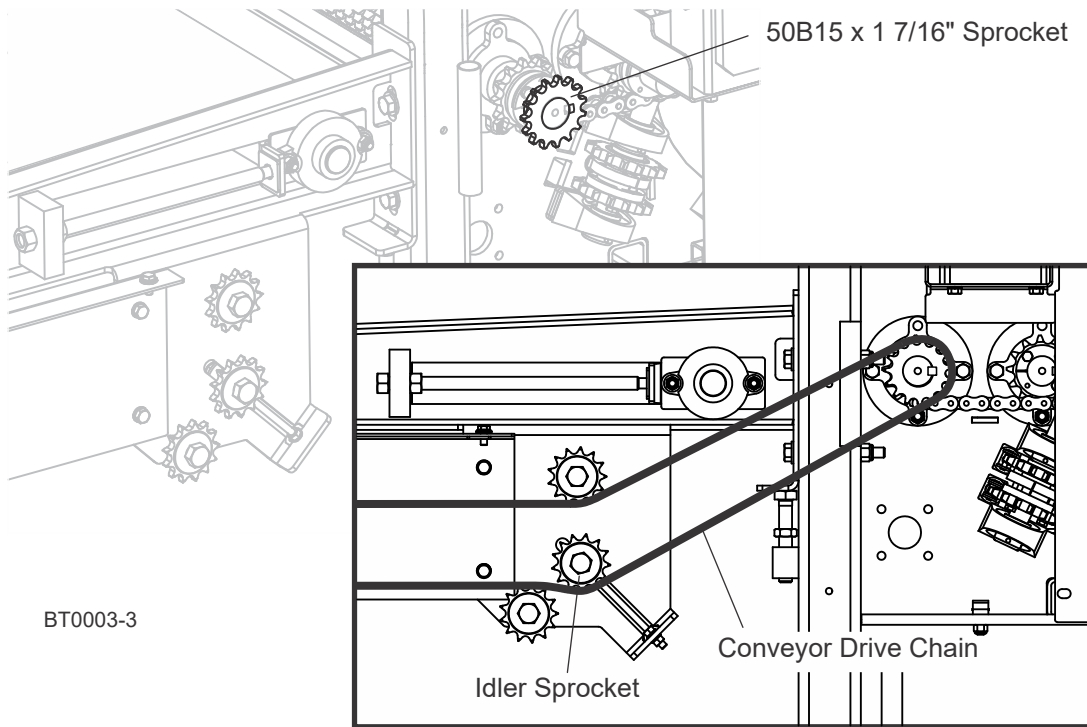


FIG. 3-3

Reinstall the edger feed and conveyor drive covers.

3.2 Starting And Stopping The Machine



DANGER! Make sure all guards and covers are in place and secured before operating the conveyor. Failure to do so may result in serious injury.

DANGER! Always be sure all persons are away from the conveyor before starting the edger motor. Failure to do so will result in serious injury.



WARNING! Always wear eye, ear, respiration, and foot protection when operating the conveyor. Failure to do so may result in serious injury.


1. If necessary, release the E-STOP button on the edger control box by turning it clockwise until it pops out.
2. To start the conveyor, push the green MACHINE-START button on the edger control box. **NOTE:** The conveyor operates whenever the Edger feed system is activated. See the Edger operator's manual for feed system operation instructions.

NOTE: The covers and the electrical cabinet must be closed before the edger can be started.

The emergency switches on the edger electrical box can also be used to shutdown the conveyor.

3. Push the E-STOP button on the edger control box in an emergency to stop the conveyor drive chain. This button must be released by turning clockwise before the conveyor can be restarted. **IMPORTANT:** The E-STOP button shuts down both the conveyor and the edger at the same time.

SECTION 4 MAINTENANCE

 **DANGER!** Always turn off and disconnect power supply before performing any service to the machine. Failure to do so may result in serious injury or death.

4.1 Belt Tension and Alignment

Adjust the conveyor belt tension as needed. To adjust, locate the adjustment bolts at the front of the conveyor on both sides of the frame. Use the adjustment bolts to adjust the belt tension until the center of the belt can be deflected approx. 2" - 3" (50 - 75mm). Secure the adjustment bolts with the locking nuts when the belt tensioning is complete.

See Figure 4-1.

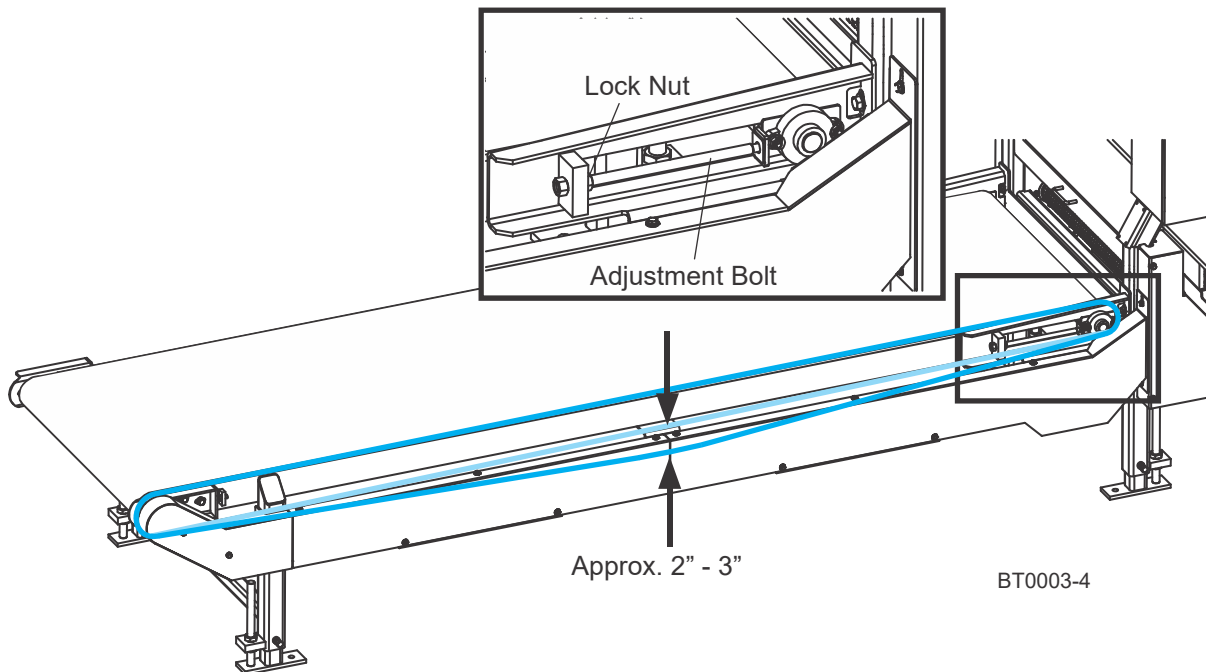

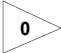


FIG. 4-1

 **CAUTION!** Do not over-tension the conveyor belt. Over-tensioning the belt will result in premature belt failure.

 Periodically check the conveyor belt for wear. Replace a damaged or worn belt as needed. Always check the conveyor belt alignment after installing a new belt. Align the conveyor belt as described below, if necessary.

4

Maintenance

Belt Tension and Alignment



The conveyor is factory-aligned. Periodically check and realign the conveyor belt if necessary. Make sure the belt remains centered on the rollers while running. If the conveyor belt keeps traveling to one of the sides, follow the realignment procedure below.

To realign the conveyor belt:

1. Loosen the lock nut on the alignment bolt on one or both sides of the frame.

See Figure 4-2.

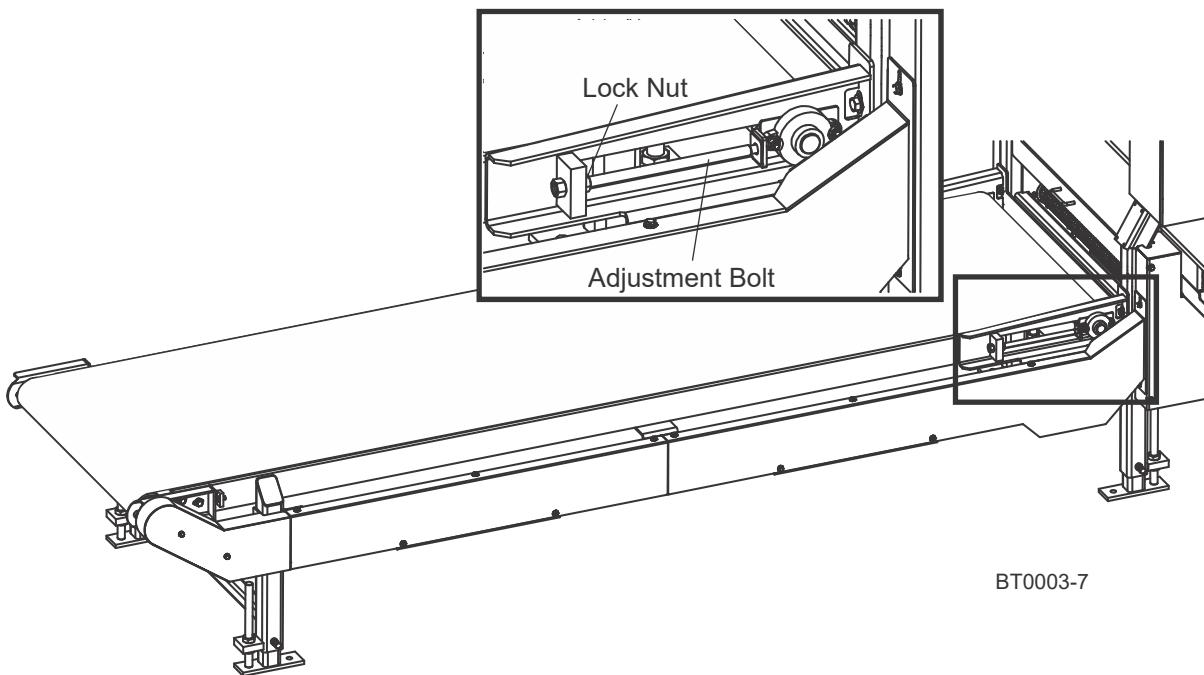


FIG. 4-2

2. Turn one of the alignment bolts to move the belt roller as necessary.
3. Start the edger and the conveyor to check if the conveyor belt still needs to be aligned. Repeat the steps until the conveyor belt stays in place on the rollers while running.
4. Tighten the lock nuts on the alignment bolts when the belt alignment procedure is complete.

4.2 Drive Chain Tension

See **Figure 4-3**. The drive chain tension can be adjusted with the adjustable idler sprocket. To adjust the chain tension, remove the conveyor drive chain cover to access the adjustable idler sprocket. To tension the chain, turn the nuts on the threaded adjustment rod to pull the idler sprocket toward the chain.

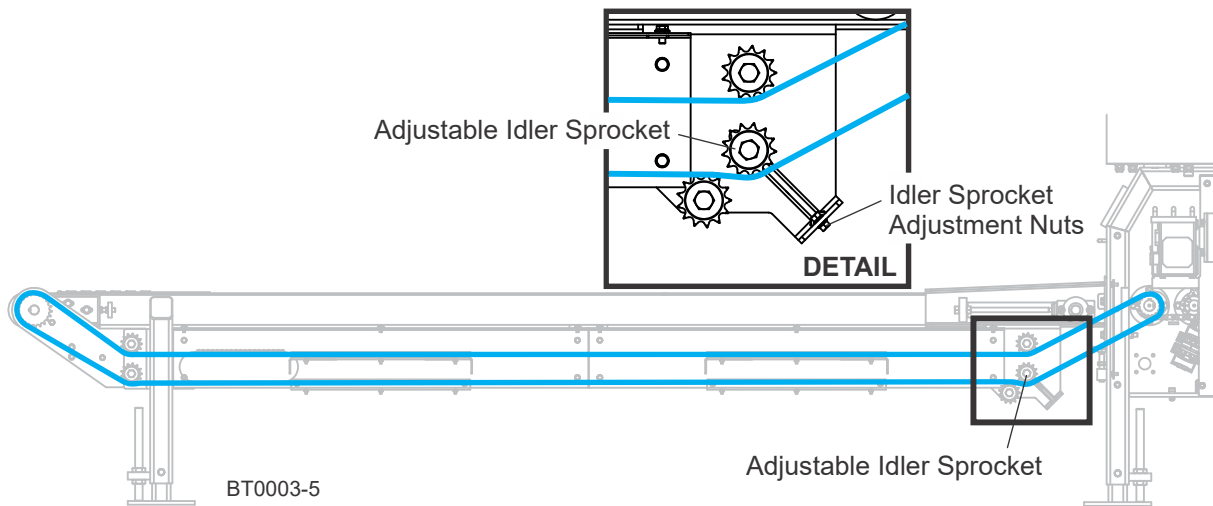


FIG. 4-3

See **Figure 4-4**. The drive chain and belt tension can also be adjusted using the adjustment bolts at the rear of the conveyor belt. Secure the adjustment bolts with the lock nuts when the chain/belt tensioning is complete.

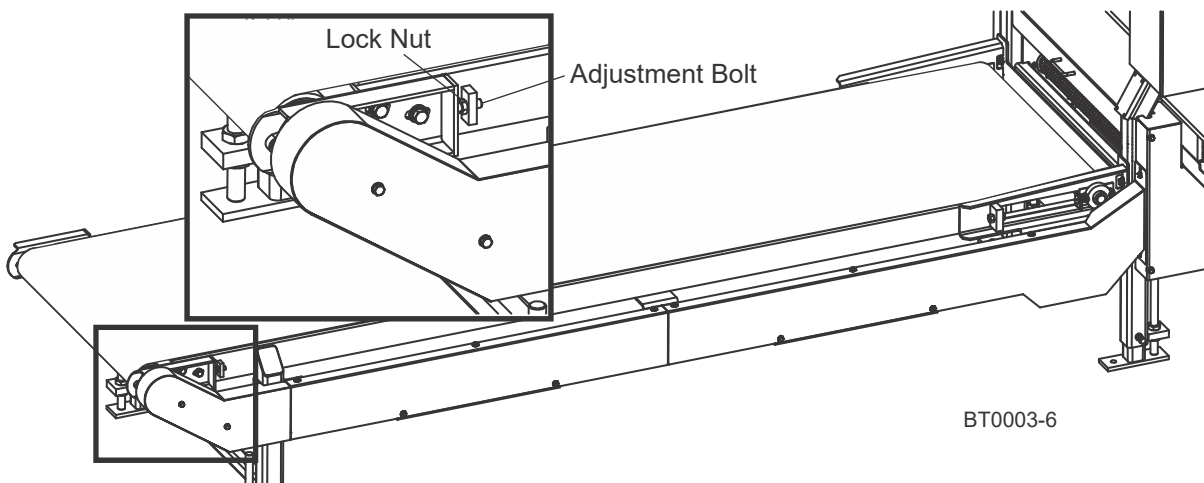


FIG. 4-4

4.3 Lubrication

1. Lubricate the belt and chain sprocket bearings every 200 hours of operation with one to two pumps of lithium-based grease such as Shell Alvania No. 3. Do not overgrease.

SECTION 5 REPLACEMENT PARTS

5.1 How To Use The Parts List

- Go to the appropriate section and locate the part in the illustration.
- Use the number pointing to the part to locate the correct part number and description in the table.
- Parts shown indented under another part are included with that part.
- Parts marked with a diamond (◆) are only available in the assembly listed above the part.

See the sample table below. Sample Part #A01111 includes part F02222-2 and subassembly A03333. Subassembly A03333 includes part S04444-4 and subassembly K05555. The diamond (◆) indicates that S04444-4 is not available except in subassembly A03333. Subassembly K05555 includes parts M06666 and F07777-77. The diamond (◆) indicates M06666 is not available except in subassembly K05555.

5.2 Sample Assembly				
REF	DESCRIPTION (◆ Indicates Parts Available In Assemblies Only)	PART #	QTY.	
	SAMPLE ASSEMBLY, COMPLETE (Includes All Indented Parts Below)	A01111	1	
1	Sample Part	F02222-22	1	
2	Sample Subassembly (Includes All Indented Parts Below)	A03333	1	
	Sample Part (Indicates Part Is Only Available With A03333)	S04444-4	1	◆
3	Sample Subassembly (Includes All Indented Parts Below)	K05555	1	
	Sample Part (Indicates Part Is Only Available With K05555)	M06666	2	◆
4	Sample Part	F07777-77	1	

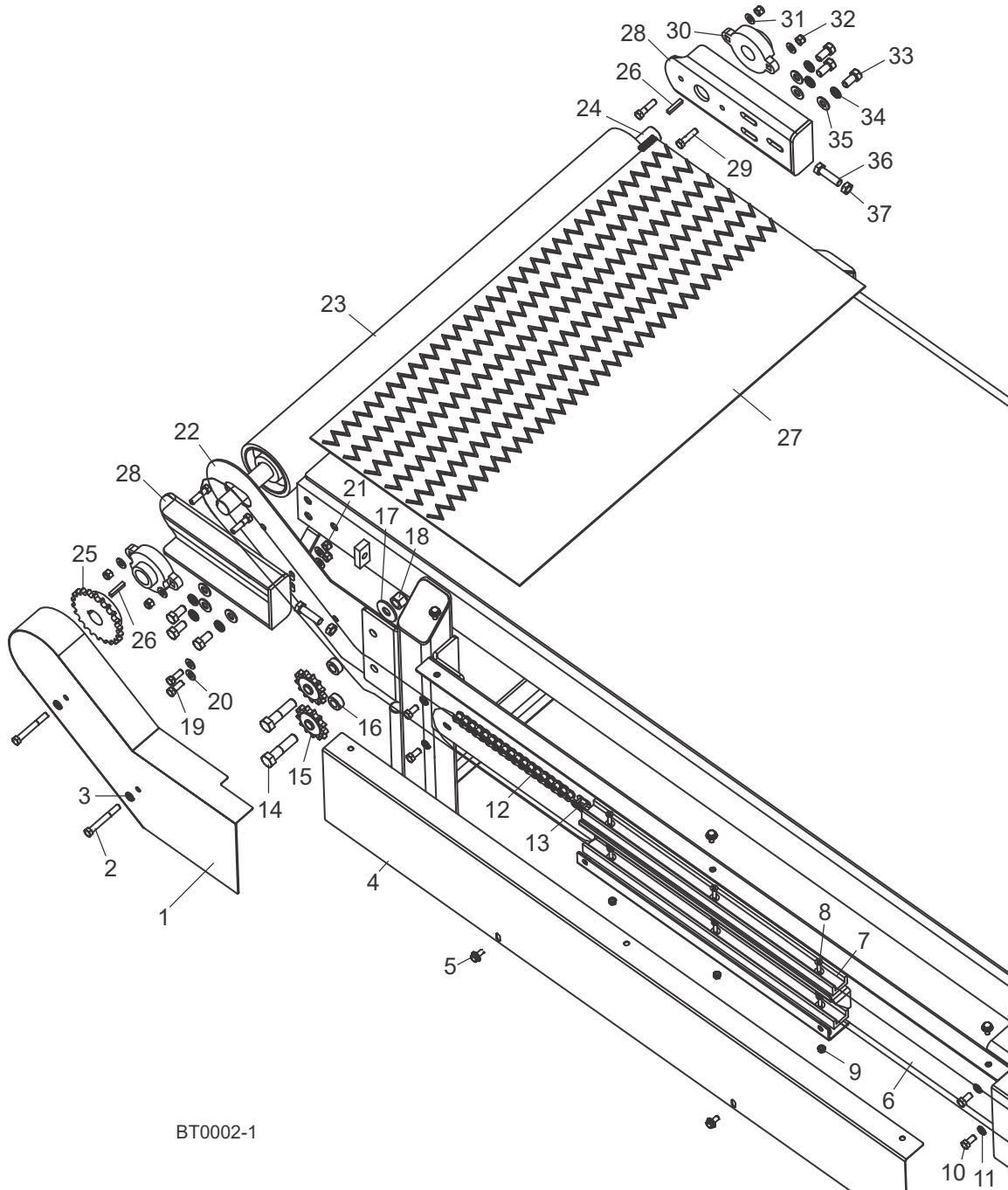
To Order Parts:

From the continental U.S., call **1-800-525-8100** to order parts. Have your customer number, VIN, and part numbers ready when you call. From other international locations, contact the AWMV distributor in your area for parts.

5 Replacement Parts

Outfeed, Drive Side

5.3 Outfeed, Drive Side



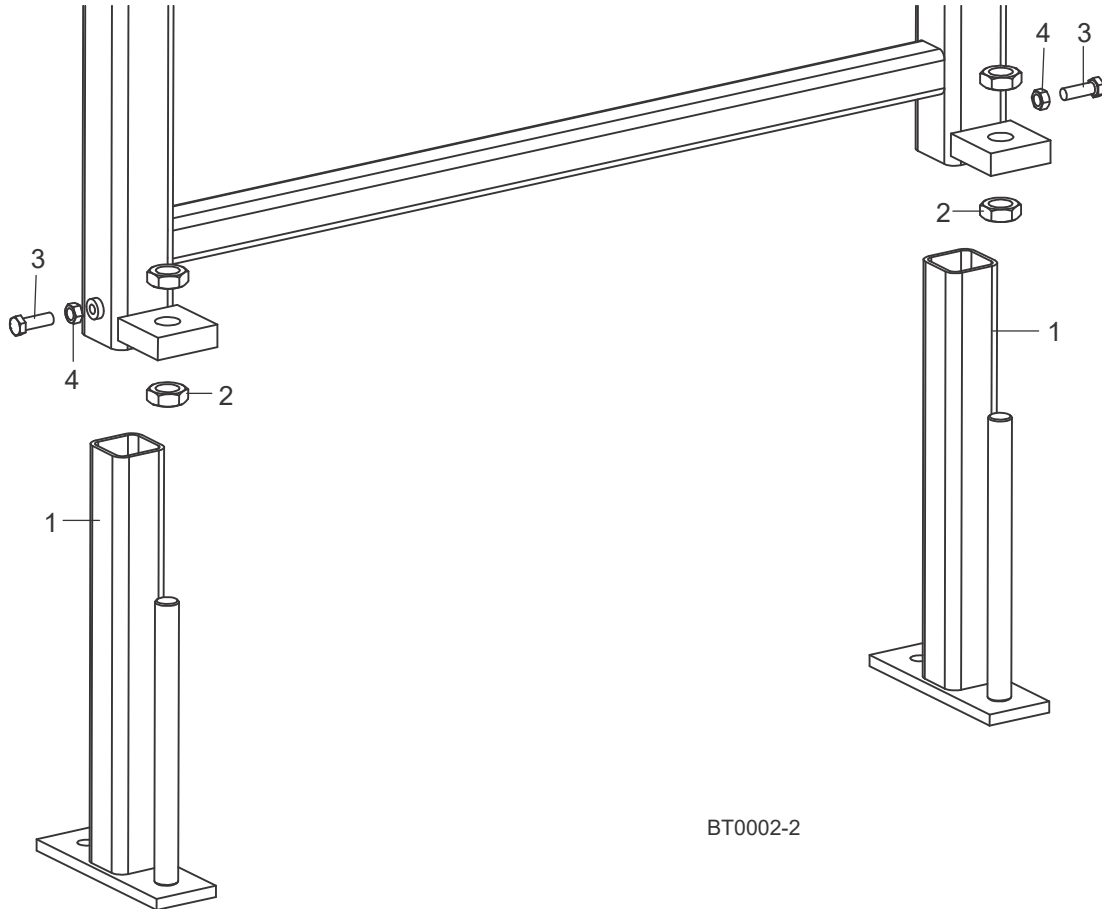
REF	DESCRIPTION (◆ Indicates Parts Available In Assemblies Only)	PART #	QTY.
1	COVER WELDMENT, CHAIN	075828	1
2	BOLT, 3/8-16 X 3" HEX HEAD GRADE 5	F05007-73	2
3	WASHER, 3/8" SPLIT LOCK	F05011-4	2

4	COVER, CONVEYOR CHAIN	075797	1	
5	BOLT, 5/16-18 X 3/4" HEX HEAD W/FLAT & LOCK WASHER	F05006-101	10	
	GUIDE ASSEMBLY, CHAIN	075845	1	
6	Guide Weldment, Chain	075821	1	
7	Channel, Chain Guide	003292	2	
8	Bolt, 1/4-20 x 1" FH	F05015-26	6	
9	Nut, 1/4-20 Keps	F05010-9	6	
10	Bolt, 3/8-16 x 3/4" Hex Head Grade	F05007-118	4	
11	Washer, 3/8" Split Lock	F05011-4	4	
12	CHAIN, ROLLER #50 X 320 (511 PITCHES + ML)	076425	1	
13	LINK, #50 MASTER	P20208	1	
	SPROCKET ASSEMBLY, IDLER	075832	2	
14	Bolt, 5/8-11 x 2 1/2" Hex Head Grade 2	F05009-20	1	
15	Sprocket, 50B13 x 5/8 Idle	003289	1	
16	Collar, 5/8" ID Lock	P05035	1	
17	Washer, 5/8" Standard Flat	F05011-40	1	
18	Nut, 5/8-18 Hex Nylon Lock	F05010-71	1	
19	BOLT, 3/8-16 X 1" HEX HEAD GRADE5	F05007-87	2	
20	WASHER, 3/8" FLAT SAE	F05011-3	4	
21	NUT, 3/8-16 HEX NYLON LOCK	F05010-10	2	
22	GUARD WELDMENT, CHAIN	075839	1	
	DRIVE ASSEMBLY, ROLLER	075662	1	
23	Roller, 4 x 38 x 1 1/4 Bore Lagged	075664	1	
24	Shaft, Drive 1 1/4 x 45	075663	1	
25	Sprocket, 50B22 x 1 1/4	003277	1	
26	Key, 1/4 Square x 1 3/8"	017832	3	
27	BELT, CONVEYOR 36 X 288 Z-TOP (STANDARD 12' WITHOUT EXTENSION)	075846	1	
	BELT, CONVEYOR 36 X 376 Z-TOP (16' TOTAL WITH ONE EXTENSION)	076911	1	
	BELT, CONVEYOR 36 X 472 Z-TOP (20' TOTAL WITH TWO EXTENSIONS)	076959	1	
	BEARING ASSEMBLY, CONVEYOR	075830	2	
28	Bracket Weldment, Roller Mount	036186	1	
29	Bolt, 3/8-16 1 1/2" Hex Head Grade 5	F05007-78	2	
30	Bearing, Flange 1 1/4"	016744	1	
31	Washer, 3/8" Flat SAE	F05011-3	2	
32	Nut, 3/8-16 Hex Nylon Lock	F05010-10	2	
33	Bolt, 1/2-13 x 1" Hex Head Grade 8	F05008-128	3	
34	Washer, 1/2" Split Lock	F05011-9	3	
35	Washer, 1/2" SAE Flat	F05011-2	3	
36	Bolt, 1/2-20 x 1 3/4" Hex Head Cap Full Thread	F05008-127	1	
37	Nut, 1/2-20 Hex Jam	F05010-16	1	

5 Replacement Parts

Adjustable Legs

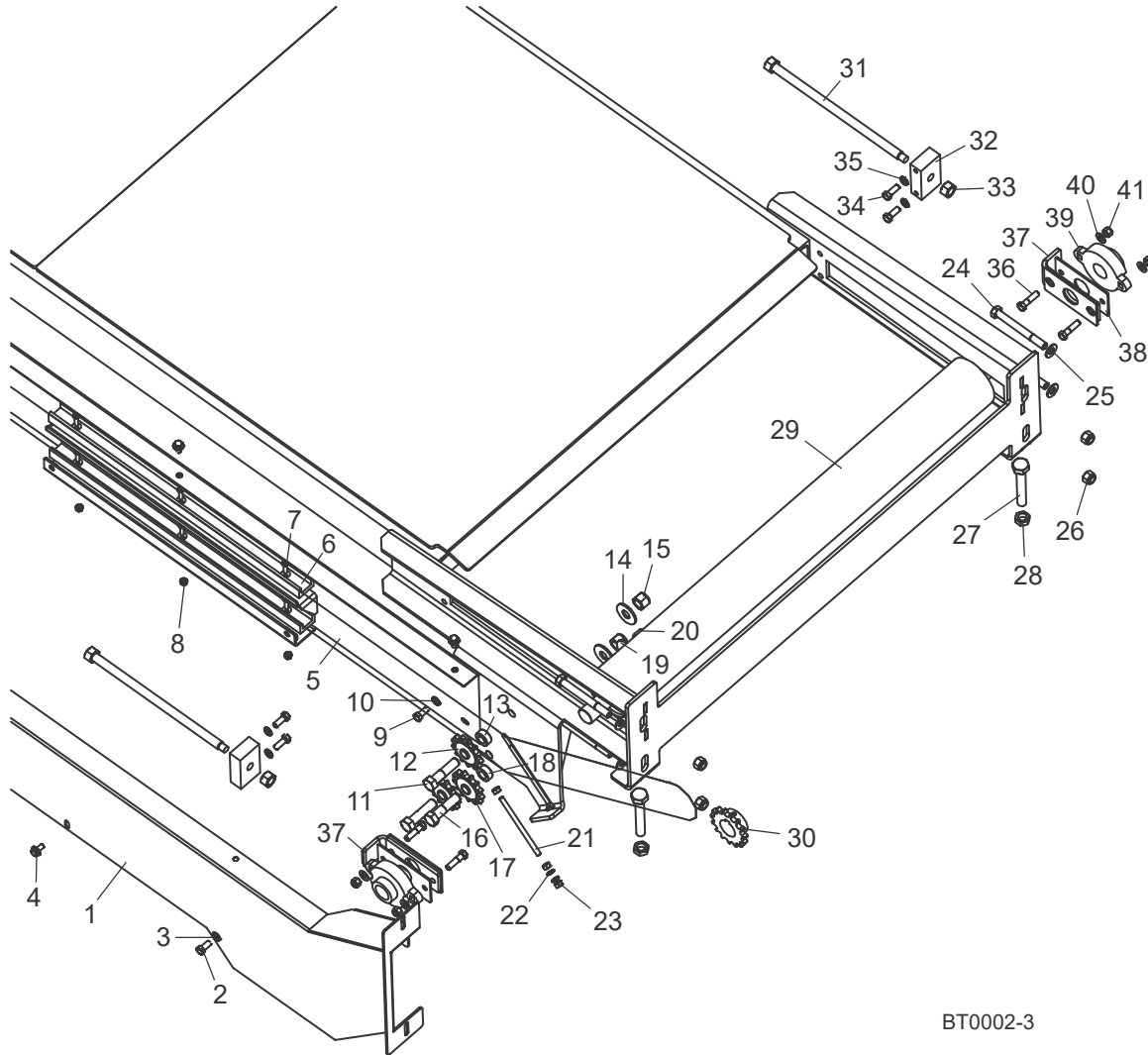
5.4 Adjustable Legs



BT0002-2

REF	DESCRIPTION (◆ Indicates Parts Available In Assemblies Only)	PART #	QTY.
	FOOT ASSEMBLY, EDGER	039143	2
1	Foot Weldment, Edger	039115	1
2	Nut, 1-14 Hex Jam	F05010-118	2
3	BOLT, 1/2-13 X 1 1/2" HEX HEAD GRADE 5	F05008-33	2
4	NUT, 1/2-13 HEX	F05010-35	2

5.5 Infeed, Idle Side



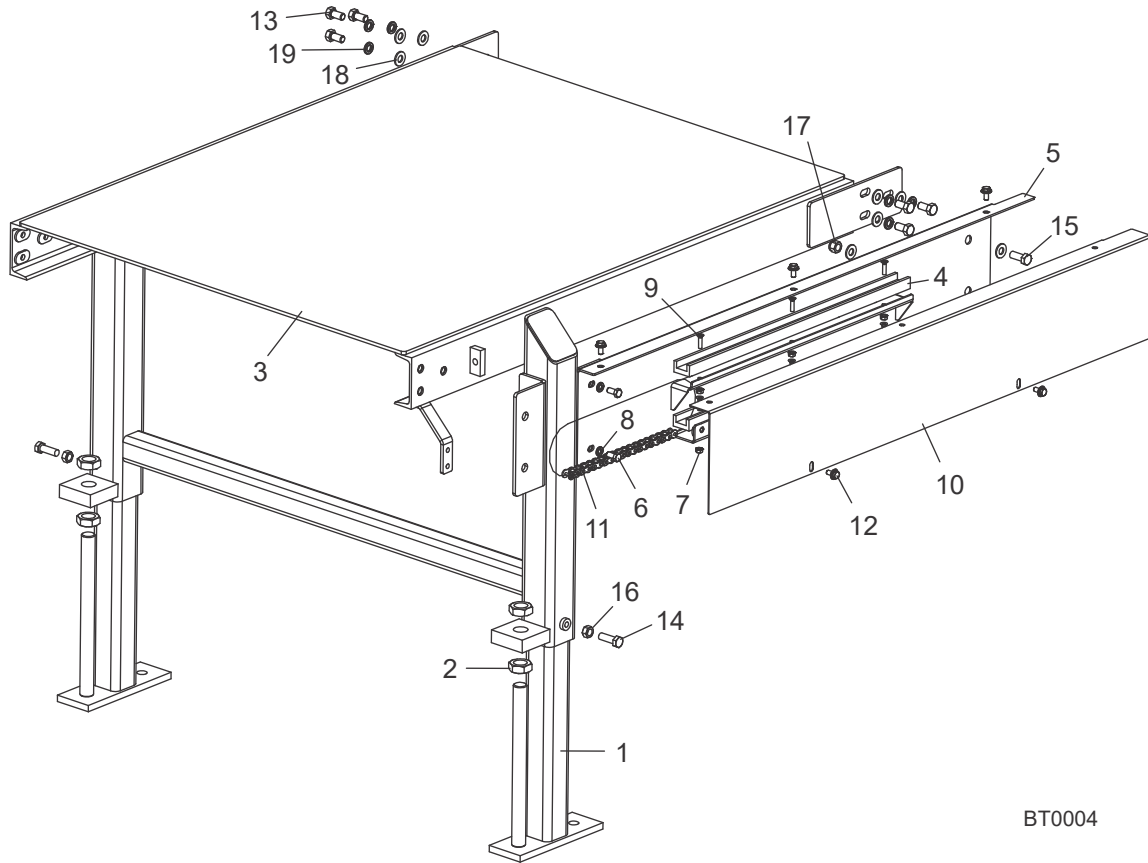
REF	DESCRIPTION (◆ Indicates Parts Available In Assemblies Only)	PART #	QTY.
1	COVER WELDMENT, CHAIN	075791	1
2	BOLT, 3/8-16 X 3/4" HEX HEAD GRADE 5	F05007-118	1
3	WASHER, 3/8 SPLIT LOCK	F05011-4	1
4	BOLT, 5.16-18 X 3/4" HEX HEAD W/FLAT & LOCK WASHER	F05006-101	2
	GUIDE ASSEMBLY, CHAIN	075845	1
5	Guide Weldment, Chain	075821	1
6	Channel, Chain Guide	003292	2
7	Bolt, 1/4-20 x 1" FH	F05015-26	6
8	Nut, 1/4-20 Keps	F05010-9	6
9	Bolt, 3/8-16 x 3/4" Hex Head Grade	F05007-118	4
10	Washer, 3/8" Split Lock	F05011-4	4

5

Replacement Parts*Infeed, Idle Side*

	SPROCKET ASSEMBLY, IDLER	075832	2	
11	Bolt, 5/8-11 x 2 1/2" Hex Head Grade 2	F05009-20	1	
12	Sprocket, 50B13 x 5/8 Idle	003289	1	
13	Collar, 5/8" ID Lock	P05035	1	
14	Washer, 5/8" Standard Flat	F05011-40	1	
15	Nut, 5/8-18 Hex Nylon Lock	F05010-71	1	
	TENSIONER ASSEMBLY, CHAIN	075833	1	
16	Bolt, 5/8-11 x 2 1/2" Hex Head Grade 2	F05009-20	1	
17	Sprocket, 50B13 x 5/8 Idle	003289	1	
18	Collar, 5/8" ID Lock	P05035	1	
19	Washer, 5/8" Standard Flat	F05011-40	1	
20	Nut, 5/8-11 Nylon Lock	F05010-34	1	
21	Rod, Threaded 5/16-18 x 5	036743	1	
22	Washer, 5/16" Split Lock	F05011-13	2	
23	Nut, 5/16-18 Hex	F05010-17	3	
24	BOLT, 1/2-13 X 4 1/2" HEX HEAD GRADE 5	F05008-35	4	
25	WASHER, 1/2" SAE FLAT	F05011-2	4	
26	NUT, 1/2-13 NYLON HEX LOCK	F05010-8	4	
27	BOLT, 5/8-11 X 4" HEX HEAD FULL THREAD GRADE 5	F05009-31	2	
28	NUT, 5/8-11 JAM	F05010-82	2	
29	PULLEY, IDLER	075719	1	
30	SPROCKET, 50B15 X 1 7/16	003286	1	
	TENSIONER ASSEMBLY, CONVEYOR	075831	2	
31	Adjustment Weldment, Bolt	016912	1	
32	Block Tensions	016766	1	
33	Nut, 5/8-18 Hex	F05010-50	1	
34	Bolt, 3/8-16 x 1" Hex Head Grade 8	F05007-82	2	
35	Washer, 3/8" Split Lock	F05011-4	2	
36	Bolt, 3/8-16 x 1 1/2" Hex Head Grade 5	F05007-78	2	
37	Adjustment Weldment, Roller	016697	1	
38	Plate, Bearing	016760	1	
39	Bearing, Flange 1 1/4"	016744	1	
40	Washer, 3/8" Flat SAE	F05011-3	2	
41	Nut, 3/8-16 Hex Nylon Lock	F05010-10	2	

5.6 Conveyor Extension Assembly (Optional)



BT0004

REF	DESCRIPTION (◆ Indicates Parts Available In Assemblies Only)	PART #	QTY.
	EXTENSION ASSEMBLY, EDGER CONVEYOR	075852	1
	Foot Assembly, Edger	039143	2
1	Foot Weldment, Edger	039115	2
2	Nut, 1-14 Hex Jam	F05010-118	4
3	Extension Weldment, Edger Conveyor	075853	1
	Guide Assembly, Chain	076486	1
4	Channel, Chain Guide, UHMW	003292	2
5	Guide Weldment, Chain	076487	1
6	Bolt, 3/8-16 x 3/4" Hex Head Grade 5	F05007-118	2
7	Nut, 1/4-20 Keps	F05010-9	6
8	Washer, 3/8" Split Lock	F05011-4	2
9	Bolt, 1/4-20 x 1" CrSI FH	F05015-26	6
10	Cover, Conveyor Extension Chain	076489	1
11	Chain, Roller, #50x96 1/4 153 Pitches ML	076958	1
12	Bolt, 5/16-18 x 3/4" Hex Head w/Flat&Lock Washer	F05006-101	5
13	Bolt, 1/2-13 x 1" Hex Head Grade 8	F05008-128	6

5 Replacement Parts

Conveyor Extension Assembly (Optional)

14	Bolt, 1/2-13 x 1 1/2" Hex Head Grade 5	F05008-33	2	
15	Bolt, 1/2-13 x 1 1/4" Hex Head Grade 5	F05008-37	2	
16	Nut, 1/2-13 Hex	F05010-35	2	
17	Nut, 1/2-13 Nylon Hex Lock	F05010-8	2	
18	Washer, 1/2" SAE Flat	F05011-2	10	
19	Washer, 1/2" Split Lock	F05011-9	6	

INDEX

I

introduction
 dimensions 1-5
 specifications 1-7

M

maintenance 4-1
 belt/chain tension 4-1, 4-3
 lubrication 4-4

O

operation
 setup 3-1
 shutting down the machine 3-4
 starting the machine 3-4

R

replacement parts
 adjustable legs 5-4
 drive side 5-2
 how to use parts list 5-1
 idle side 5-5, 5-7

S

safety
 instructions 2-2
 symbols 2-1

service information
 branch locations 1-3
 customer & equipment ID 1-4
 general contact info 1-2