


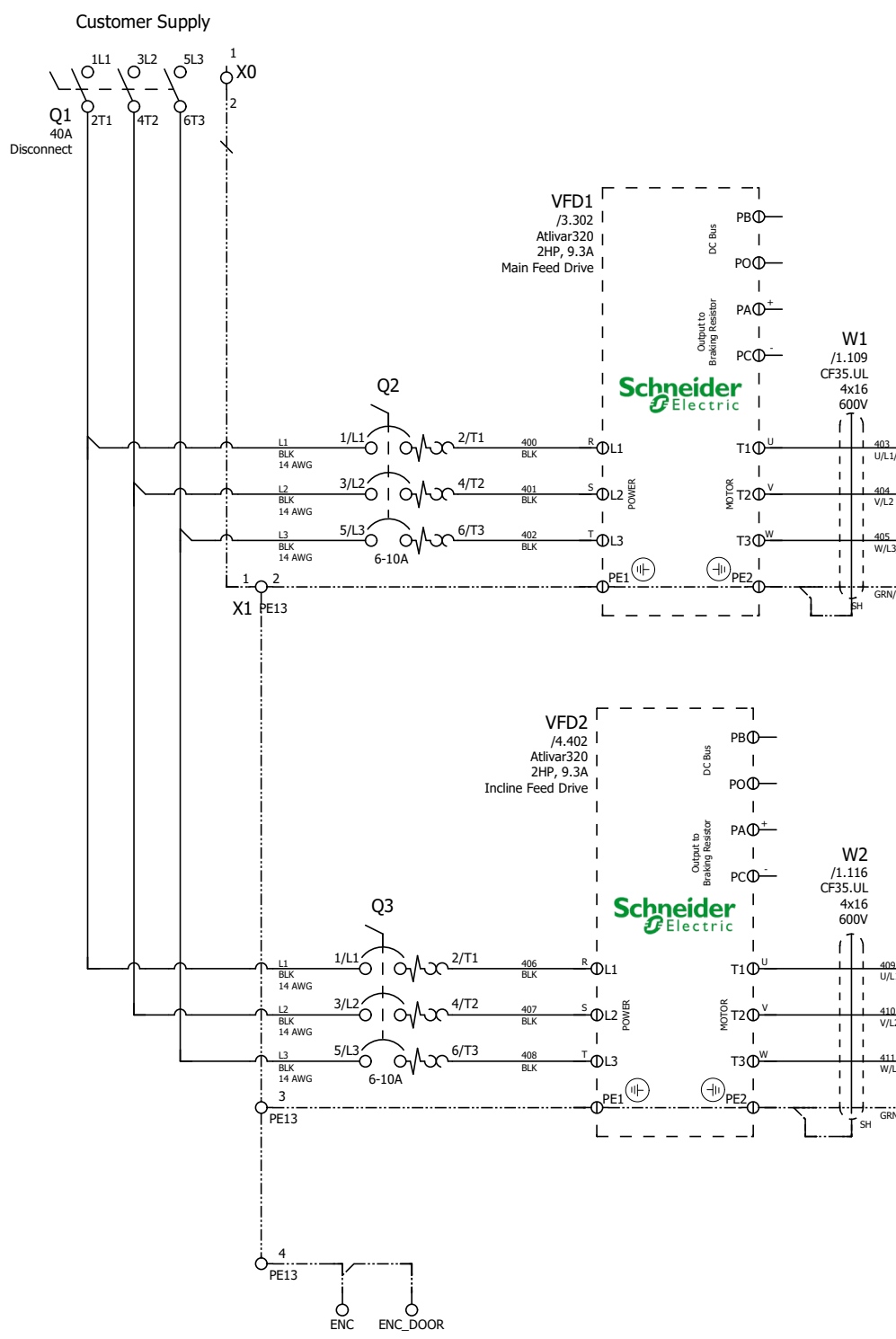


# Revision History

Date	Revision	Revision Record	Drawn By	Checked By
DATE	REV	DESC	BY?	BY?

 <b>Wood-Mizer®</b>			
Project Description: 121237 - CPS-xxB-EB4U			
Revision: 0	Pg Desc: Revision History		
Mounting Location: +	Type: Overview		
Prev. pg: A1	Page: B1	Next pg: +L1/1	Total Pgs: 12

101  
102  
103  
104  
105  
106  
107  
108  
109  
110  
111  
112  
113  
114  
115  
116  
117  
118  
119  
120  
121



<b>Wood-Mizer®</b>	
<b>Voltage</b>	240VAC +/- 10%
<b>Phase</b>	3Ph
<b>Frequency</b>	60 Hz
<b>FLA Machine</b>	16
<b>FLA Largest Load</b>	8.0A
<b>Wiring Diagram</b>	121237
<b>SCCR</b>	5kA w/ 25A Class J Fuses 3kA w/ Other

**Main Feed Motor M1**

2HP  
230/460V  
079196

VOLTAGE	L1	L2	L3	JOIN & INSULATE
HIGH	T1	T2	T3	(T4,T7) (T5,T8) (T6,T9)
LOW	T1,T7	T2,T8	T3,T9	T4,T5,T6

**Incline Feed Motor M2**

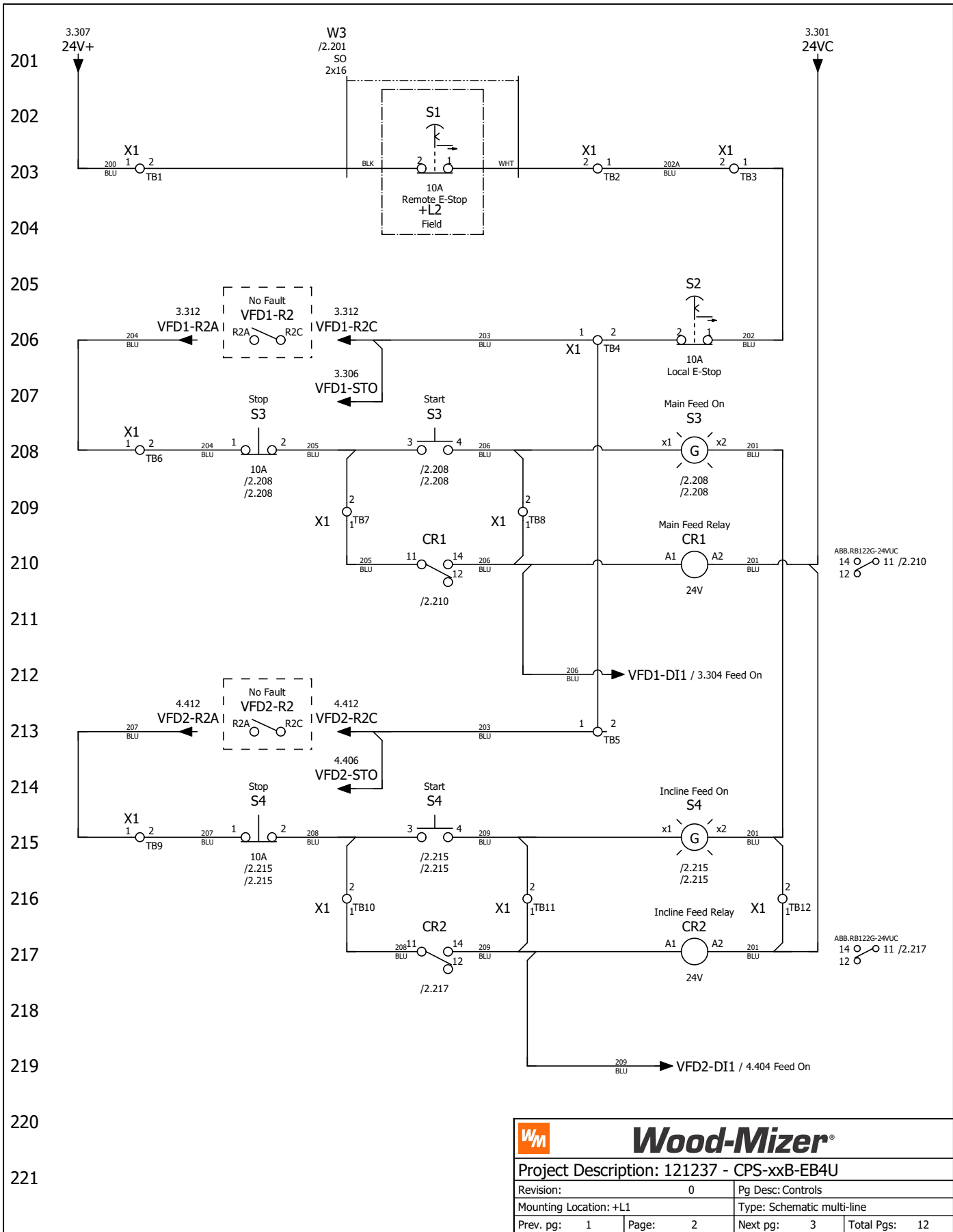
2HP  
230/460V  
079196


VOLTAGE	L1	L2	L3	JOIN & INSULATE
HIGH	T1	T2	T3	(T4,T7) (T5,T8) (T6,T9)
LOW	T1,T7	T2,T8	T3,T9	T4,T5,T6

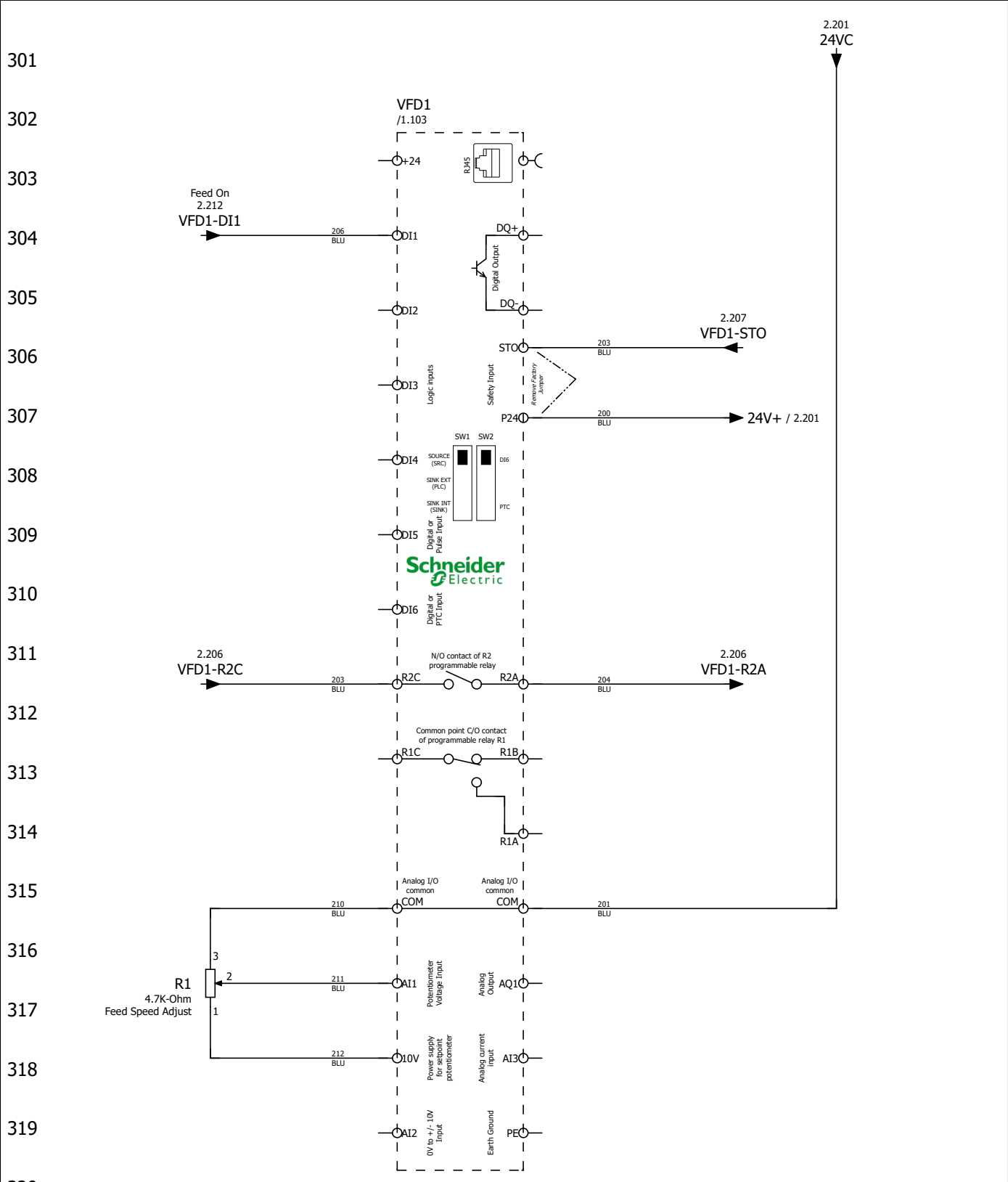
**Wood-Mizer®**

Project Description: 121237 - CPS-xxB-EB4U

Revision:	0	Pg Desc:	Power
Mounting Location:	+L1	Type:	Schematic multi-line
Prev. pg:	+/B1	Page:	1
		Next pg:	2
		Total Pgs:	12



 <b>Wood-Mizer®</b>			
Project Description: 121237 - CPS-xxB-EB4U			
Revision:	0	Pg Desc:	Controls
Mounting Location:	+L1	Type:	Schematic multi-line
Prev. pg:	1	Page:	2
		Next pg:	3
		Total Pgs:	12



301  
302  
303  
304  
305  
306  
307  
308  
309  
310  
311  
312  
313  
314  
315  
316  
317  
318  
319  
320  
321

2.201  
24VC

Feed On  
2.212  
VFD1-DI1

VFD1  
/1.103

2.206  
VFD1-R2C

2.207  
VFD1-STO

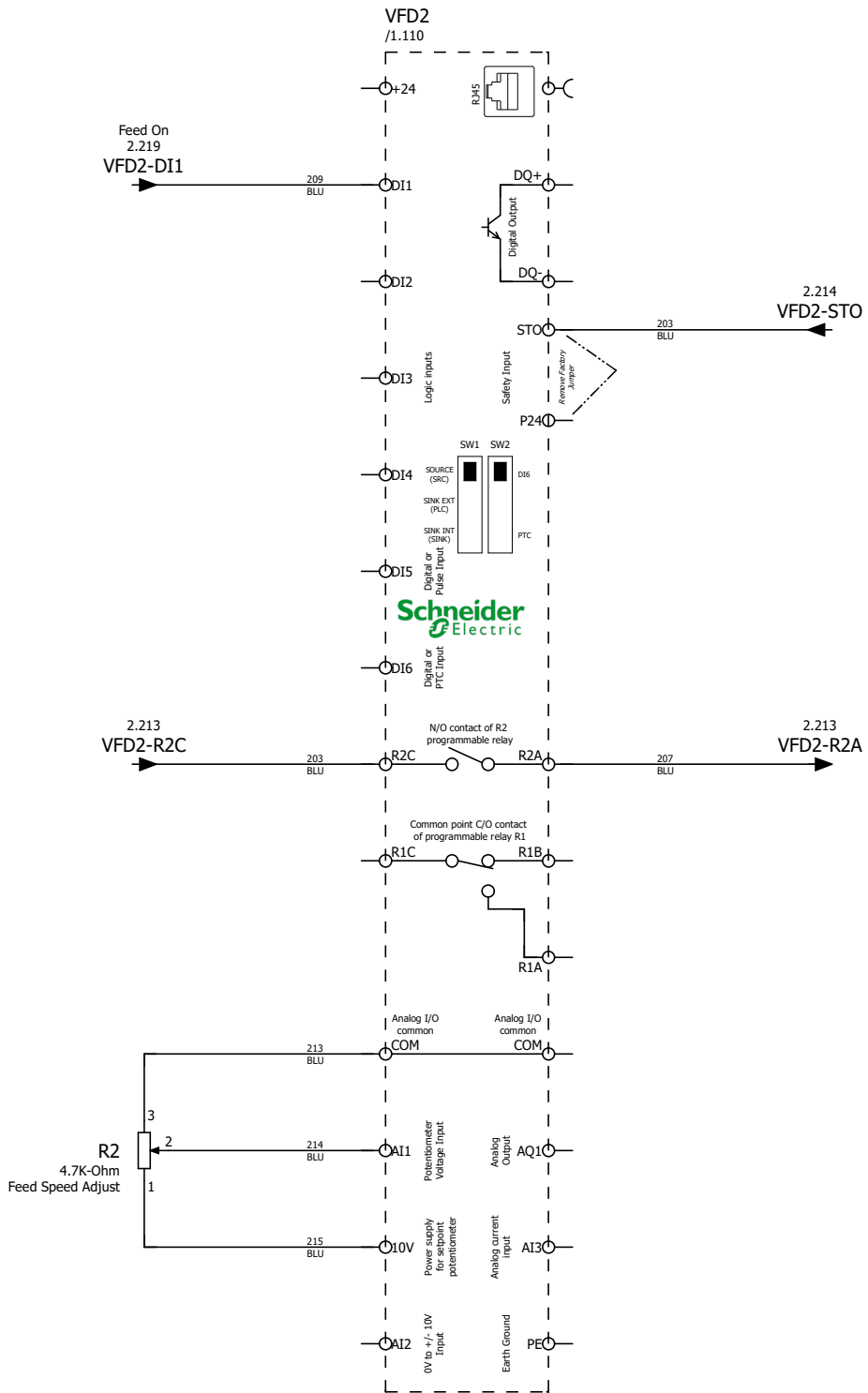
2.206  
VFD1-R2A


R1  
4.7K-Ohm  
Feed Speed Adjust



<b>Project Description: 121237 - CPS-xxB-EB4U</b>			
Revision:	0	Pg Desc: VFD1 Control	
Mounting Location: +L1		Type: Schematic multi-line	
Prev. pg:	2	Page:	3
Next pg:	4	Total Pgs:	12

401  
402  
403  
404  
405  
406  
407  
408  
409  
410  
411  
412  
413  
414  
415  
416  
417  
418  
419  
420  
421




 <b>Wood-Mizer®</b>			
Project Description: 121237 - CPS-xxB-EB4U			
Revision:	0	Pg Desc:	VFD2 Control
Mounting Location:	+L1		
Prev. pg:	3	Page:	4
Next pg:	+DOC/C1	Total Pgs:	12



# Terminal line-up diagram

Wood-Mizer\_Terminal\_Lineup\_Diagram

Terminal strip +L1-X0								
Terminal				Jumper		End Plate	Remark	Terminal X-Ref
Ref. Des.	Level	P/N	Description	Diagram	P/N	P/N		
	0	052525	Terminal Block, 2P 14-4AWG Screw GND	1				/1.02


		<b>Wood-Mizer®</b>	
Project Description: 121237 - CPS-xxB-EB4U			
Revision:	0	Pg Desc: Terminal Lineup Diagram	
Mounting Location: +DOC		Type: Terminal line-up diagram	
Prev. pg:	C1	Page:	D1
Next pg:	D2	Total Pgs:	12



# Terminal line-up diagram

Wood-Mizer\_Terminal\_Lineup\_Diagram


Terminal strip +L1-X1								
Terminal				Jumper		End Plate	Remark	Terminal X-Ref
Ref. Des.	Level	P/N	Description	Diagram	P/N	P/N		
TB1	0	068100	Terminal Block, 2Pos 1.5mm Clamp			068102		/2.03
TB2	0	068100	Terminal Block, 2Pos 1.5mm Clamp					/2.03
TB3	0	068100	Terminal Block, 2Pos 1.5mm Clamp					/2.03
TB4	0	068100	Terminal Block, 2Pos 1.5mm Clamp	●	068113			/2.06
TB5	0	068100	Terminal Block, 2Pos 1.5mm Clamp	●				/2.13
TB6	0	068100	Terminal Block, 2Pos 1.5mm Clamp					/2.08
TB7	0	068100	Terminal Block, 2Pos 1.5mm Clamp					/2.09
TB8	0	068100	Terminal Block, 2Pos 1.5mm Clamp					/2.09
TB9	0	068100	Terminal Block, 2Pos 1.5mm Clamp					/2.15
TB10	0	068100	Terminal Block, 2Pos 1.5mm Clamp					/2.16
TB11	0	068100	Terminal Block, 2Pos 1.5mm Clamp					/2.16
TB12	0	068100	Terminal Block, 2Pos 1.5mm Clamp					/2.16
PE13	0	068104	Terminal Block, 4Pos 1.5mm GND Clamp			068105		/1.09

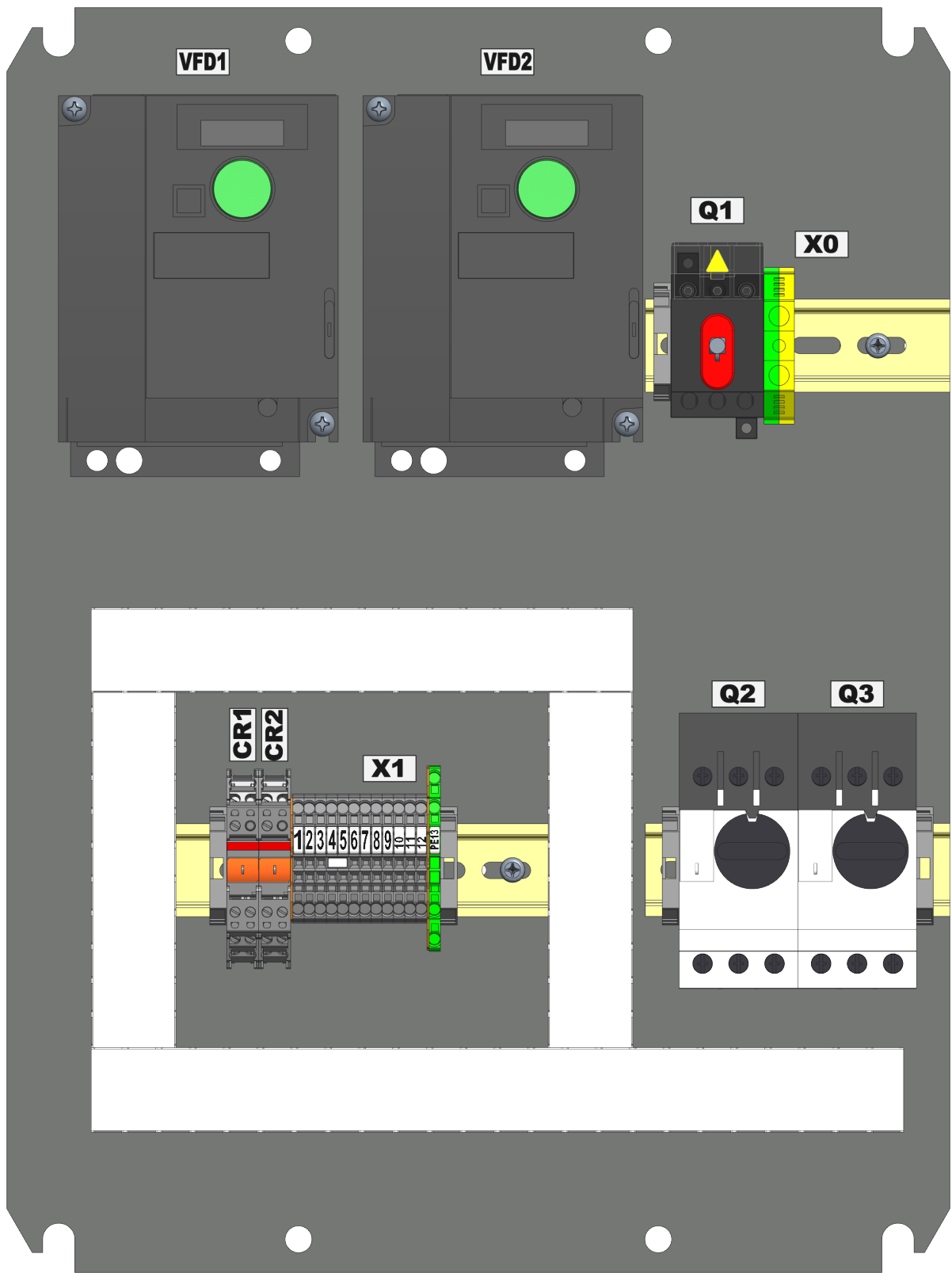
		<b>Wood-Mizer®</b>	
Project Description: 121237 - CPS-xxB-EB4U			
Revision:	0	Pg Desc: Terminal Lineup Diagram	
Mounting Location: +DOC		Type: Terminal line-up diagram	
Prev. pg:	D1	Page:	D2
Next pg:	E1	Total Pgs:	12

# Cable Overview

Wood-Mizer\_Cable\_Overview

<b>Cable</b> Designation	<b>Cable</b> Part Number	<b>Cable</b> Description	<b>Cable</b> X-Ref
W1	121263	Cable Assy, Main Feed Motor	+L1/1.109
W2	121264	Cable Assy, Incline Feed Motor	+L1/1.116
W3	121265	Cable Assy, Remote E-Stop	+L1/2.201

		<b>Wood-Mizer®</b>					
Project Description: 121237 - CPS-xxB-EB4U							
Revision:	0	Pg Desc: Cable Overview					
Mounting Location: +DOC		Type: Cable overview					
Prev. pg:	D2	Page:	E1	Next pg:	F1	Total Pgs:	12



SCALE 0.500



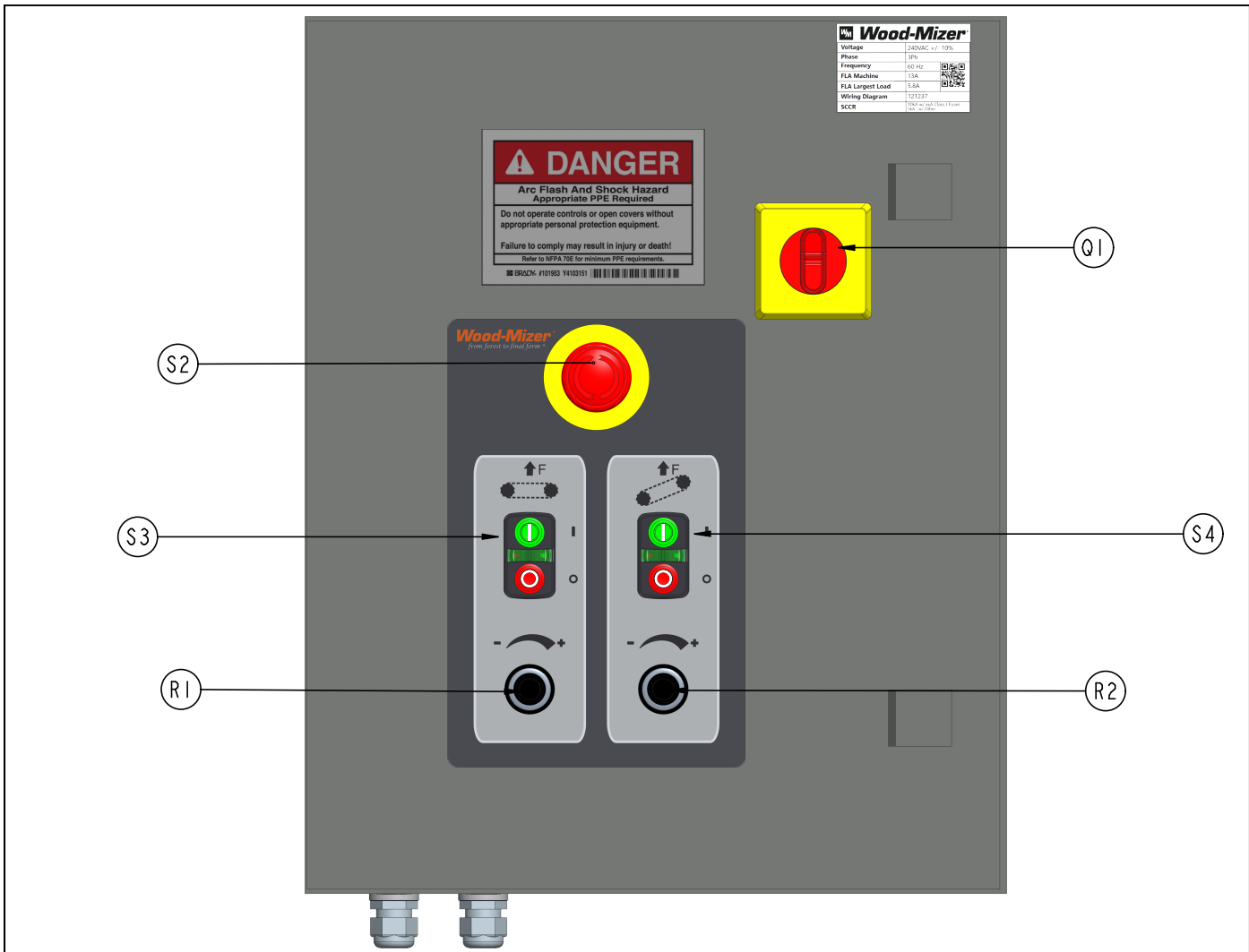
**Wood-Mizer®**

Project Description: 121237 - CPS-xxB-EB4U

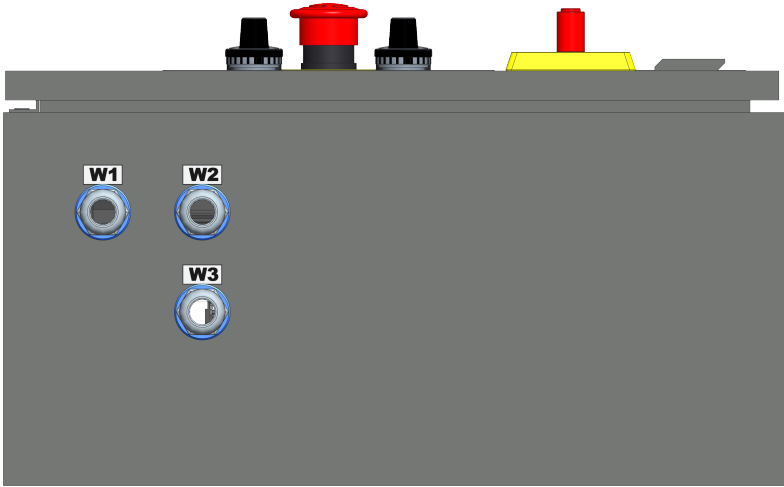
Revision: 0 Pg Desc: PNL Layout


Mounting Location: +DOC Type: Panel layout

Prev. pg: E1 Page: F1 Next pg: F2 Total Pgs: 12



SCALE 0.250



		<b>Wood-Mizer®</b>	
Project Description: 121237 - CPS-xxB-EB4U			
Revision:	0	Pg Desc:	ENC Layout
Mounting Location: +DOC		Type: Panel layout	
Prev. pg:	F1	Page:	F2
Next pg:		Total Pgs:	12