

Revision History

Date	Revision	Revision Record	Drawn By	Checked By
4/22/20	A	INITIAL DESIGN	MOC	-




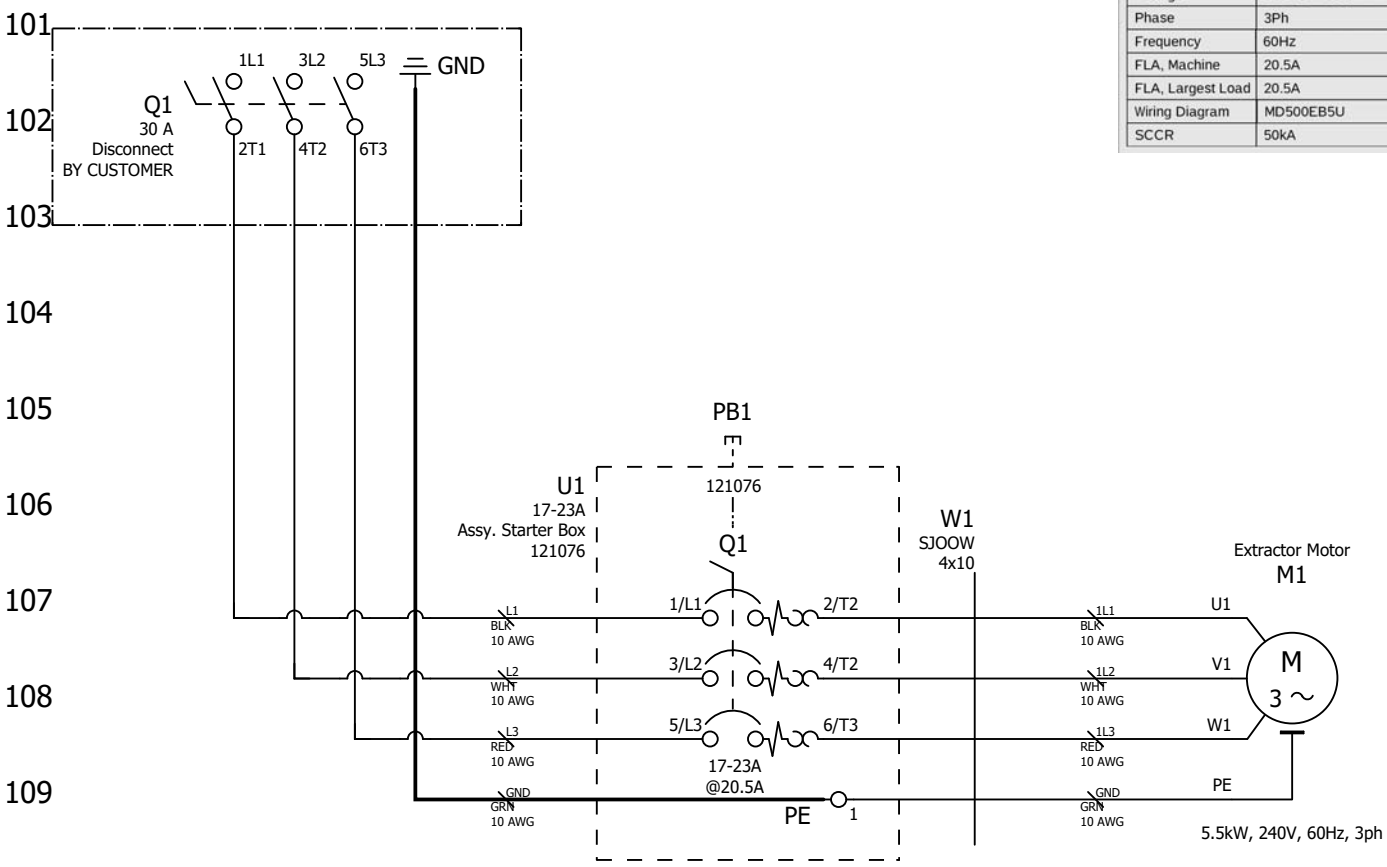
Project Description: MD500EB5U

Revision: 0 Pg Desc: Revision History

Mounting Location: + Type: Overview

Prev. pg: A1 Page: B1 Next pg: +L1/1 Total Pgs: 8

Wood-Mizer®	
Voltage	240 +5 / -10%
Phase	3Ph
Frequency	60Hz
FLA, Machine	20.5A
FLA, Largest Load	20.5A
Wiring Diagram	MD500EB5U
SCCR	50kA

101
102
103
104
105
106
107
108
109
110
111
112
113
114
115
116
117
118
119
120
121

Wood-Mizer®		
Project Description: MD500EB5U		
Revision:	0	Pg Desc: Power
Mounting Location:	+L1	Type: Schematic multi-line
Prev. pg:	+/B1	Page: 1
		Next pg: +DOC/C1
		Total Pgs: 8

Terminal line-up diagram

Terminal strip +L1-U1-PE								
Terminal				Jumper		End Plate	Remark	Terminal X-Ref
Ref. Des.	Level	P/N	Description	Diagram	P/N	P/N		
1								/1.09



Project Description: MD500EB5U


Revision: 0 Pg Desc: Terminal Lineup Diagram

Mounting Location: +DOC Type: Terminal line-up diagram

Prev. pg: C1 Page: D1 Next pg: E1 Total Pgs: 8

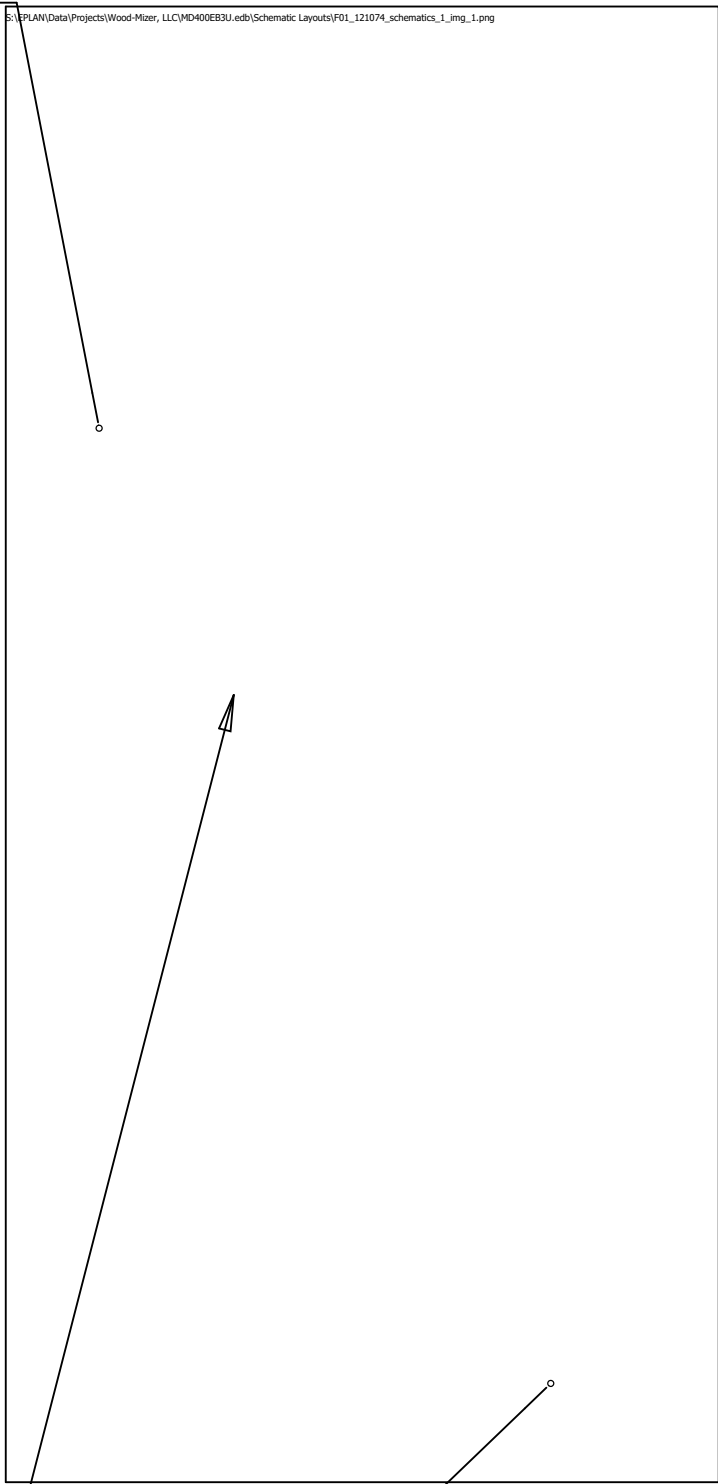
Cable Overview

Cable Designation	Cable Part Number	Cable Description	Cable X-Ref
W1	121081	Cable Assy, MD500EB4U Motor	+L1/1.107

		Wood-Mizer®	
Project Description: MD500EB5U			
Revision: 0		Pg Desc: Cable Overview	
Mounting Location: +DOC		Type: Cable overview	
Prev. pg: D1	Page: E1	Next pg: F1	Total Pgs: 8

U1

S:\PLAN\Data\Projects\Wood-Mizer, LLC\MD400EB3U.edb\Schematic Layouts\F01_121074_schematics_1_img_1.png



PB1

W1



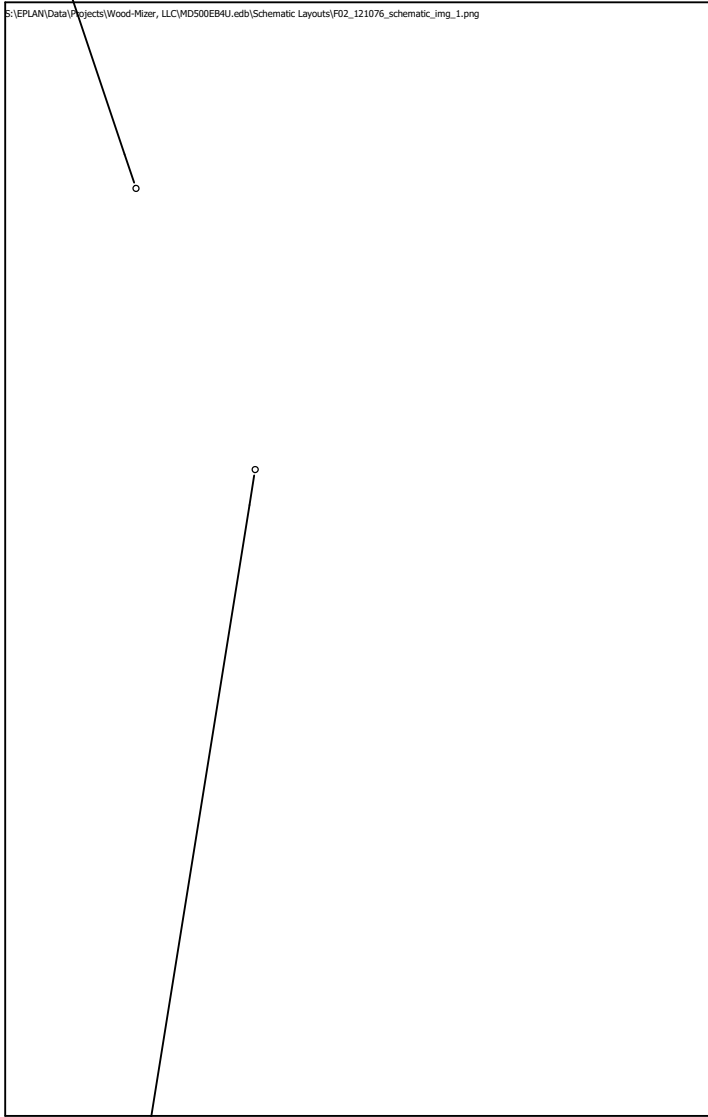
Project Description: MD500EB5U

Revision: 0 Pg Desc: Enclosure Layout

Mounting Location: +DOC Type: Graphic

Prev. pg: E1 Page: F1 Next pg: F2 Total Pgs: 8

U1



Q1:
Set to 20.5A



Wood-Mizer®

Project Description: MD500EB5U

Revision: 0 Pg Desc: Component Layout

Mounting Location: +DOC Type: Graphic

Prev. pg: F1 Page: F2 Next pg: Total Pgs: 8