

**Log Decks
Safety, Operation, Maintenance, &
Parts Manual**

Log Infeed Deck

rev.A1.00-B2.01

Safety is our #1 concern!

Form #1120

MODELS EFFECTED:

LD12, Log Infeed Deck, 12' x 35" H

LD12-1, Log Infeed Deck, Industrial 12'x42"H

LD20, Log Infeed Deck, 19' 8in 35" High

LD20-1, Log Infeed Deck, 19' 8in 42" High

Associated with LT40, LT50, LT70, LT300-WM4500 Series



WARNING! Read and understand this manual before using this machine.

Table of Contents

Section-Page

SECTION 1	SAFETY	1-1
1.1	Safety Symbols.....	1-1
1.2	Safety Instructions.....	1-2
SECTION 2	SETUP & OPERATION	2-1
2.1	Component Overview.....	2-1
2.2	Overall Dimensions (Rev. B2.00+).....	2-2
2.3	Overall Dimensions (Rev. B1.00 - B1.03).....	2-6
2.4	Overall Dimensions (Rev. A1.00 - A2.03).....	2-10
2.5	Installation Overview	2-14
2.6	Log Deck Installation (All Supers & LT60HD/70HD non-Remote) ...	2-15
	<i>Log Loader Removal.....</i>	<i>2-15</i>
	<i>Log Deck Installation (Sawmills With Trailer Option) (Rev B1.00+).....</i>	<i>2-16</i>
	<i>Log Deck Installation (Sawmills With Trailer Option) (Rev A1.00 - A2.03).....</i>	<i>2-18</i>
	<i>Log Deck Installation (Sawmills Without Trailer Option).....</i>	<i>2-22</i>
	<i>Hydraulic Installation.....</i>	<i>2-26</i>
	<i>Electrical Installation</i>	<i>2-33</i>
2.7	Log Deck Installation (LT70 Remote, LT70 DCS & LT70 Super)	2-39
	<i>Log Loader Removal.....</i>	<i>2-39</i>
	<i>Log Deck Installation (Sawmills With Trailer Option) (Rev B1.00+).....</i>	<i>2-40</i>
	<i>Log Deck Installation (Sawmills With Trailer Option) (Rev A1.00 - A2.03).....</i>	<i>2-42</i>
	<i>Log Deck Installation (Sawmills Without Trailer Option).....</i>	<i>2-46</i>
	<i>Hydraulic Installation.....</i>	<i>2-49</i>
	<i>Electrical Installation</i>	<i>2-58</i>
2.8	Log Deck Installation (LT300 Rev. A1.00 - A8.00)	2-63
	<i>Log Loader Removal.....</i>	<i>2-63</i>
	<i>Log Deck Installation.....</i>	<i>2-64</i>
	<i>Hydraulic Installation.....</i>	<i>2-68</i>
	<i>Electrical Installation</i>	<i>2-75</i>
2.9	Log Deck Installation (LT300 Rev. A9.00+/WM3000/WM3500)	2-81
	<i>Log Loader Removal.....</i>	<i>2-81</i>
	<i>Log Deck Installation.....</i>	<i>2-82</i>
	<i>Hydraulic Installation.....</i>	<i>2-86</i>
	<i>Electrical Installation (LT300 Rev. B3.00+/WM3000/WM3500 Only).....</i>	<i>2-93</i>
	<i>Electrical Installation (LT300 Rev. A9.00 - B2.02 Only) ...</i>	<i>2-98</i>

Table of Contents

Section-Page

2.10	Log Deck Installation (WM4000)	2-104
	<i>Log Deck Installation</i>	2-104
	<i>Hydraulic Installation</i>	2-107
	<i>Electrical Installation</i>	2-113
2.11	Operation (All Supers & LT60HD/70HD non-Remote)	2-120
2.12	Operation (LT70HD Super)	2-121
2.13	Operation (LT70HD DCS)	2-122
2.14	Operation (LT70HD Remote)	2-127
2.15	Operation (LT300/WM3000/WM3500)	2-128
2.16	Operation (WM4000)	2-130
SECTION 3	HYDRAULIC INFORMATION	3-1
3.1	Hydraulic Schematics	3-1
SECTION 4	REPLACEMENT PARTS	4-1
4.1	Rail Assembly, 12-Foot Right & Left	4-1
	<i>Rev. B2.00+</i>	4-1
4.2	Rail Assembly, 12-Foot Right & Left	4-3
	<i>Rev. B1.00 - B1.03</i>	4-3
4.3	Rail Assembly, 12-Foot Right & Left	4-5
	<i>Rev. A1.00 - A2.03</i>	4-5
4.4	Rail Assembly, 20-Foot Right & Left	4-7
	<i>Rev. B2.00+</i>	4-7
4.5	Rail Assembly, 20-Foot Right & Left	4-9
	<i>Rev. B1.00 - B1.03</i>	4-9
4.6	Rail Assembly, 20-Foot Right & Left	4-11
	<i>Rev. A1.00 - A2.03</i>	4-11
4.7	Stop/Loader Assembly	4-13
	<i>Rev. B2.00+</i>	4-13
4.8	Stop/Loader Assembly	4-15
	<i>Rev. B1.00 - B1.03</i>	4-15
4.9	Stop/Loader Assembly	4-17
	<i>Rev. A1.00 - A2.03</i>	4-17
4.10	Drive Hydraulic Assembly	4-19
	<i>Rev. B2.00+</i>	4-19
4.11	Drive Hydraulic Assembly	4-20
	<i>Rev. B1.00 - B1.03</i>	4-20
4.12	Drive Hydraulic Assembly	4-21
	<i>Rev. A1.00 - A2.03</i>	4-21
4.13	Installation Kit (All Supers & LT60HD/70HD non-Remote)	4-22
4.14	Installation Kit (LT70HD Super)	4-24
	<i>For LT70HD Super Rev. A1.00+</i>	4-24
4.15	Installation Kit (LT70HD DCS)	4-25
	<i>For LT70HD DCS Rev. B4.02+</i>	4-25
4.16	Installation Kit (LT70HD Remote)	4-26
	<i>For LT70HD Remote Rev. A6.00 - B4.04</i>	4-26
4.17	Installation Kit (LT70HD Remote)	4-27
	<i>For LT70HD Remote Rev. A1.00 - A5.03</i>	4-27

Table of Contents

Section-Page

4.18	Installation Kit (LT300/WM3000/WM3500).....	4-28
	<i>For LT300 Rev. B3.00+</i>	
	<i>WM3000/WM3500All.....</i>	<i>4-28</i>
4.19	Installation Kit (LT300).....	4-29
	<i>For LT300 Rev. A9.00 - B2.02.....</i>	<i>4-29</i>
4.20	Installation Kit (LT300).....	4-30
	<i>For LT300 Rev. A1.00 - A8.00.....</i>	<i>4-30</i>
4.21	Installation Kit (WM4000).....	4-32

INDEX

I

SECTION 1 SAFETY

1.1 Safety Symbols

The following symbols and signal words call your attention to instructions concerning your personal safety. Be sure to observe and follow these instructions.



DANGER! indicates an imminently hazardous situation which, if not avoided, will result in death or serious injury.



WARNING! suggests a potentially hazardous situation which, if not avoided, could result in death or serious injury.



CAUTION! refers to potentially hazardous situations which, if not avoided, may result in minor or moderate injury or damage to equipment.



IMPORTANT! indicates vital information.

NOTE: gives helpful information.



Warning stripes are placed on areas where a single decal would be insufficient. To avoid serious injury, keep out of the path of any equipment marked with warning stripes.

1.2 Safety Instructions

NOTE: ONLY safety instructions regarding personal injury are listed in this section. Caution statements regarding only equipment damage appear where applicable throughout the manual.



WARNING! Clean sawdust from all guards, vents, control boxes, or any area where sawdust may gather after every shift. Failure to do so may result in fire, causing death or serious injury.



OBSERVE SAFETY INSTRUCTIONS



IMPORTANT! Read the entire Operator's Manual before operating the log infeed deck. Take notice of all safety warnings throughout this manual and those posted on the machine. Keep this manual with this machine at all times, regardless of ownership.

Also read any additional manufacturer's manuals and observe any applicable safety instructions including dangers, warnings, and cautions.

Only persons who have read and understood the entire operator's manual should operate the log deck. The log deck is not intended for use by or around children.

IMPORTANT! It is always the owner's responsibility to comply with all applicable federal, state and local laws, rules and regulations regarding the ownership, operation of your Wood-Mizer products. All Wood-Mizer product owners are encouraged to become thoroughly familiar with these applicable laws and comply with them fully while using the machine.



KEEP LOG DECK AND AREA AROUND LOG DECK CLEAN



DANGER! Maintain a clean and clear path for all necessary movement around the machine and lumber stacking areas. Failure to do so will result in serious injury.

CAUTIONS FOR LOG DECK SETUP

WARNING! Securely fasten the feet of a log deck to the floor before operating the machine. Failure to do so may result in serious injury or death.

CHECK LOG DECK BEFORE OPERATION



DANGER! Make sure all guards and covers are in place and secured before operating the log deck. Failure to do so may result in serious injury.



CAUTION! Never drop logs onto the log deck from a height more than 6" (15 mm) when loading. Failure to do so may result in damage to the log deck.



KEEP PERSONS AWAY



WARNING! Keep all persons out of the path of moving equipment and logs while operating log deck. Failure to do so may result in serious injury or death.

KEEP HANDS AWAY



DANGER! Always be aware of and take proper protective measures against rotating shafts, pulleys, fans, etc. Always stay a safe distance from rotating members and make sure that loose clothing or long hair does not engage rotating members resulting in possible injury.



WARNING! Before performing service near moving parts such as blades, pulleys, motors, belts and chains, make sure the unit is not in use. If the unit is operated and moving parts activated, serious injury may result.

USE PROPER PROCEDURE WHEN CONDUCTING ELECTRICAL SAFETY CHECKS AND MAINTENANCE



DANGER! Make sure all electrical installation, service and/or maintenance work is performed by a qualified electrician and is in accordance with applicable electrical codes.

DANGER! Hazardous voltage inside the electric sawmill disconnect box, starter box, and at the motor can cause shock, burns, or death. Disconnect and lock out power supply before servicing! Keep all electrical component covers closed and securely fastened during mill operation.



WARNING! Consider all electrical circuits energized and dangerous.

WARNING! Never assume or take the word of another person that the power is off; check it out and lock it out.

WARNING! Do not wear rings, watches, or other jewelry while working around an open electrical circuit.

SECTION 2 SETUP & OPERATION

2.1 Component Overview

With the Log Infeed Deck, you can load logs directly onto the sawmill bed. 12-Foot (LD12/LD12-1) and 20-Foot (LD20/LD20-1) Log Infeed Decks are available. The following manual will guide you in installation, operation, and alignment of the Log Infeed Deck.

WARNING! Keep all persons out of the path of moving equipment and logs while operating the Log Infeed Deck. Failure to do so may result in serious injury or death.

See **Figure 2-1**. The main components of the Log Infeed Deck are shown below.

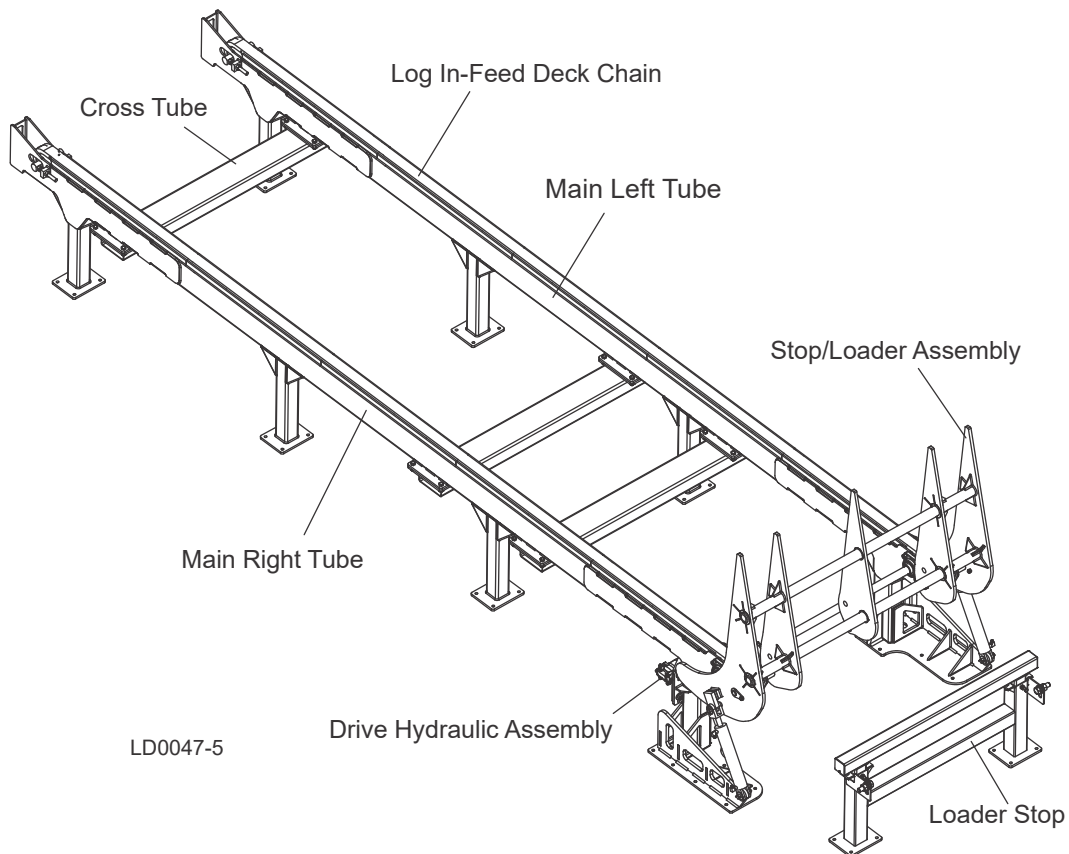


FIG. 2-1

2.2 Overall Dimensions (Rev. B2.00+)

See Figure 2-2. The overall dimensions of the 12-Foot Log Infeed Deck (LD12) are shown below. Use the LD12 for LT30/40/60/70 model sawmills.

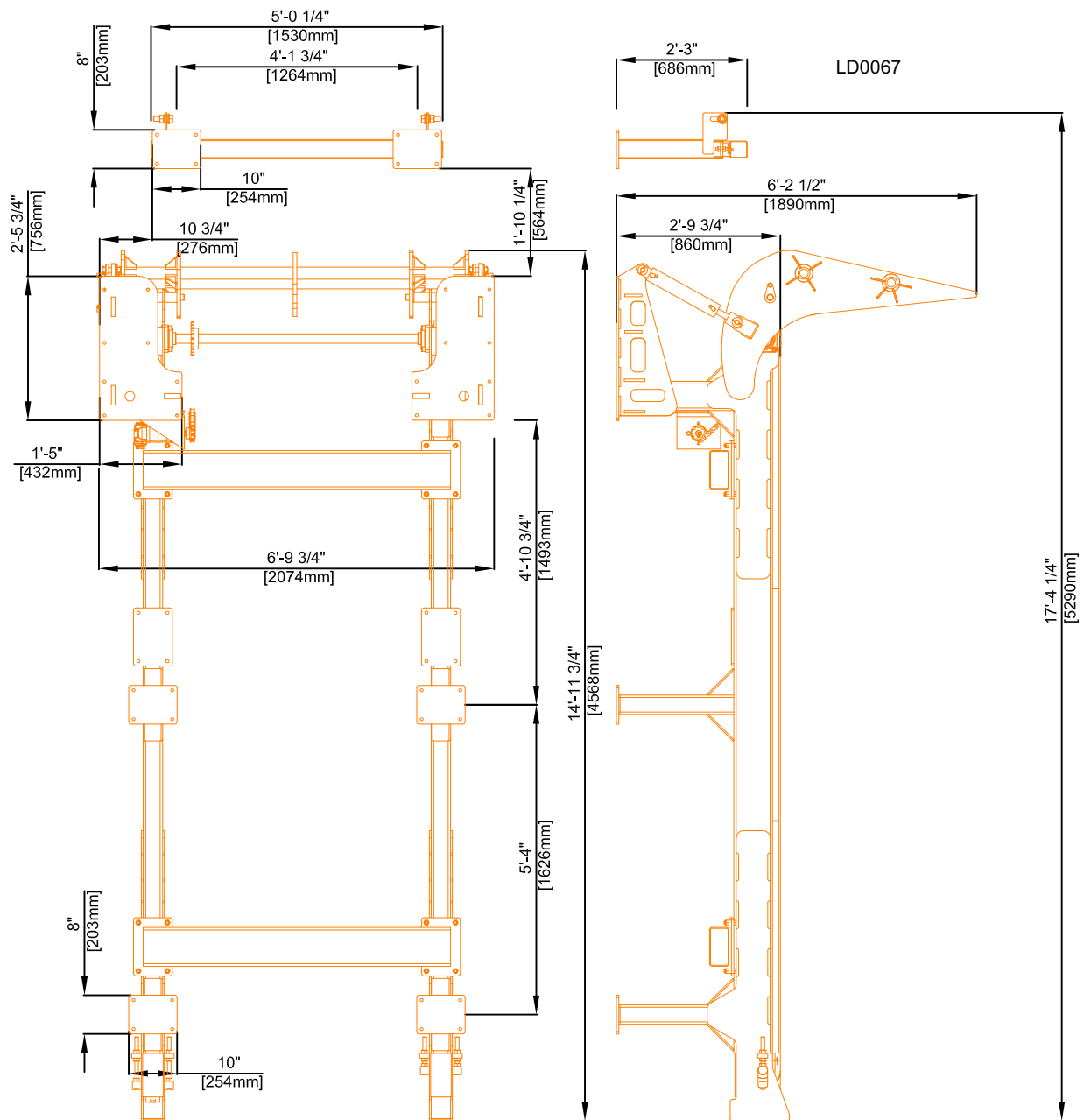


FIG. 2-2

See Figure 2-3. The overall dimensions of the 12-Foot Log Infeed Deck (LD12-1) are shown below. Use the LD12-1 for LT300, WM3000 and WM3500 model sawmills.

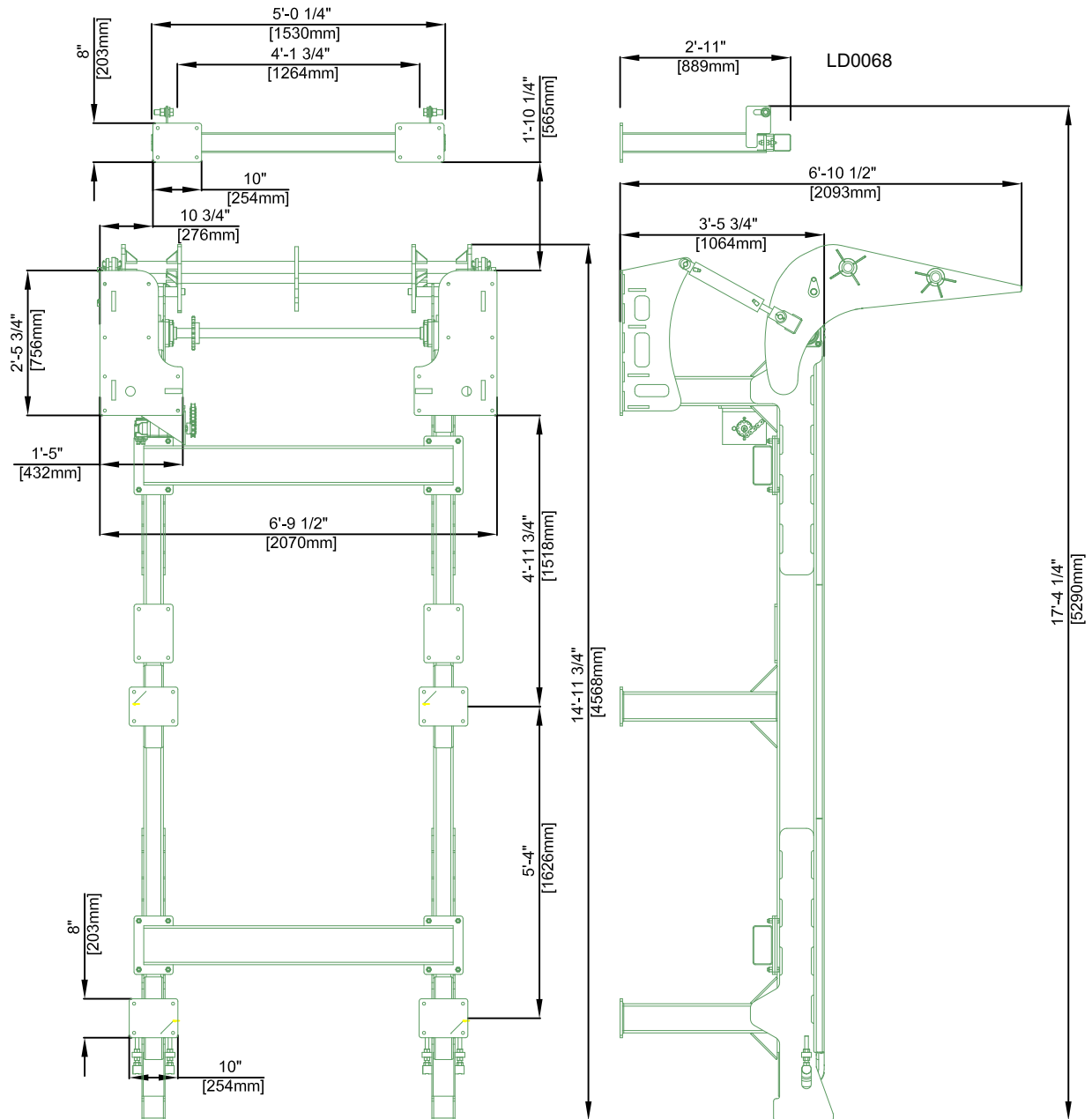


FIG. 2-3

2

Operation & Setup

Overall Dimensions (Rev. B2.00+)

See Figure 2-4. The overall dimensions of the 20-Foot Log Infeed Deck (LD20) are shown. Use the LD20 for LT30/40/60/70 model sawmills.

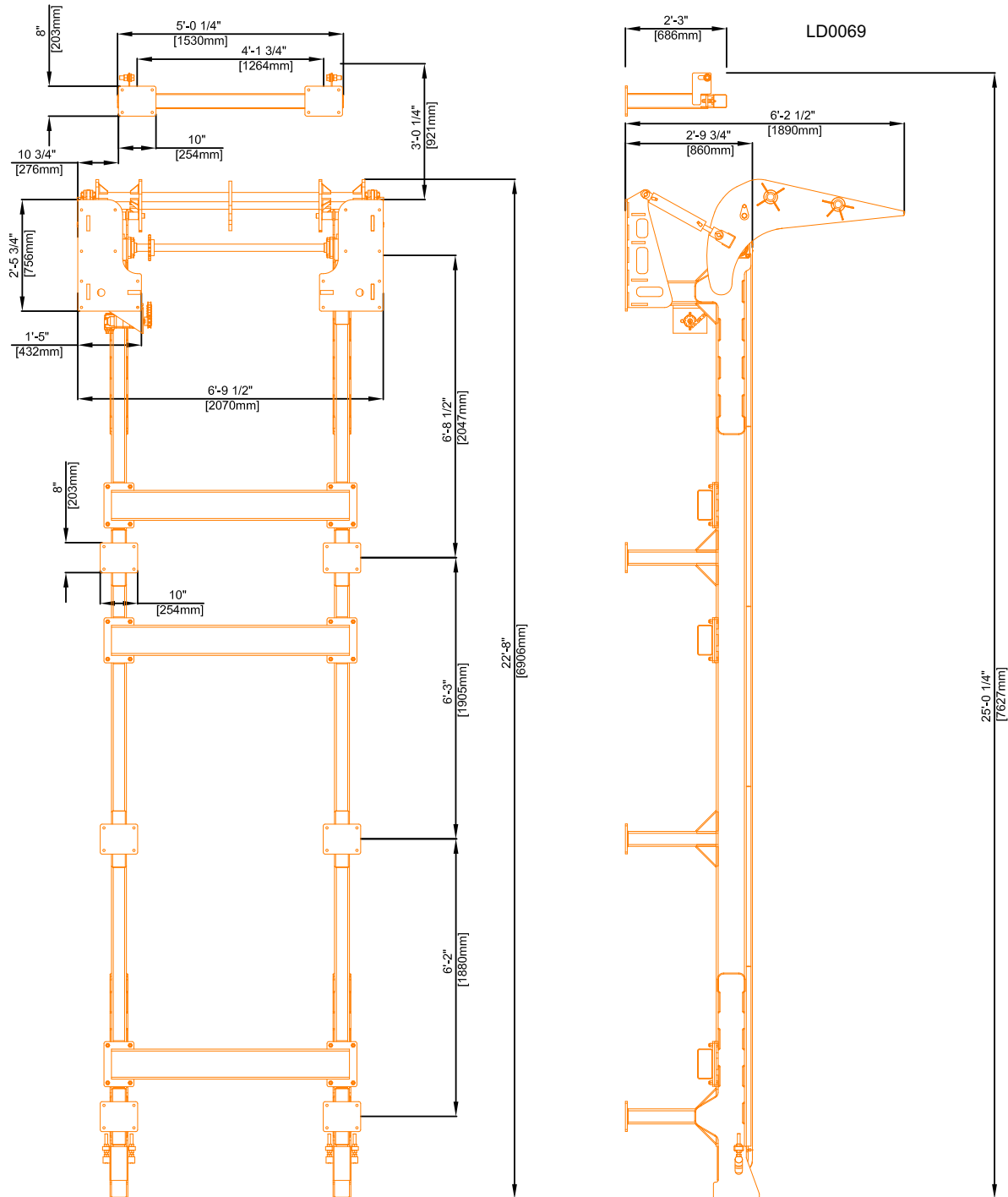


FIG. 2-4

See Figure 2-5. The overall dimensions of the 20-Foot Log Infeed Deck (LD20-1) are shown. Use the LD20-1 for LT300, WM3000 and WM3500 model sawmills.

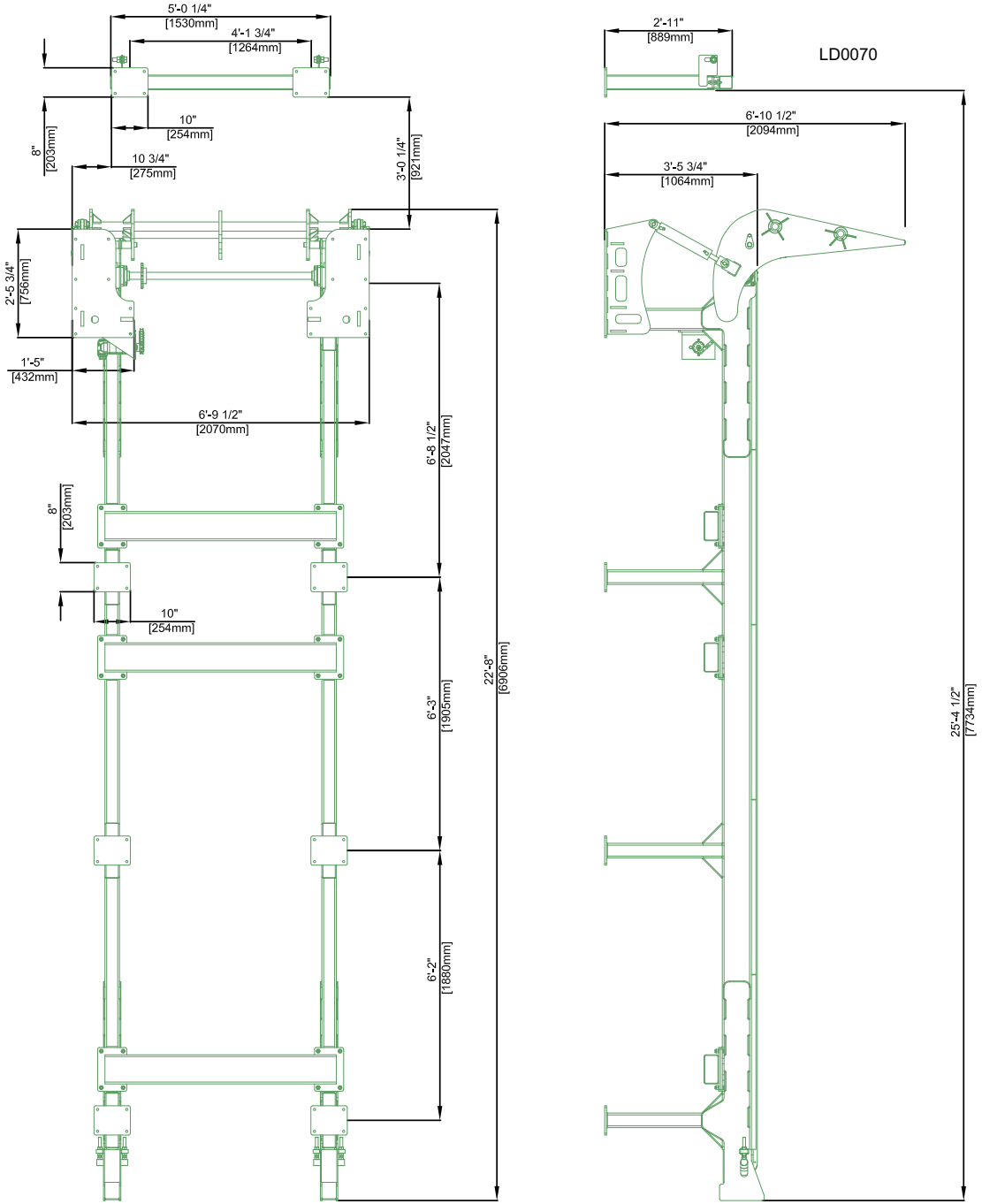


FIG. 2-5

2 Operation & Setup

Overall Dimensions (Rev. B1.00 - B1.03)

2.3 Overall Dimensions (Rev. B1.00 - B1.03)

See Figure 2-6. The overall dimensions of the 12-Foot Log Infeed Deck (LD12) are shown below. Use the LD12 for LT30/40/60/70 model sawmills

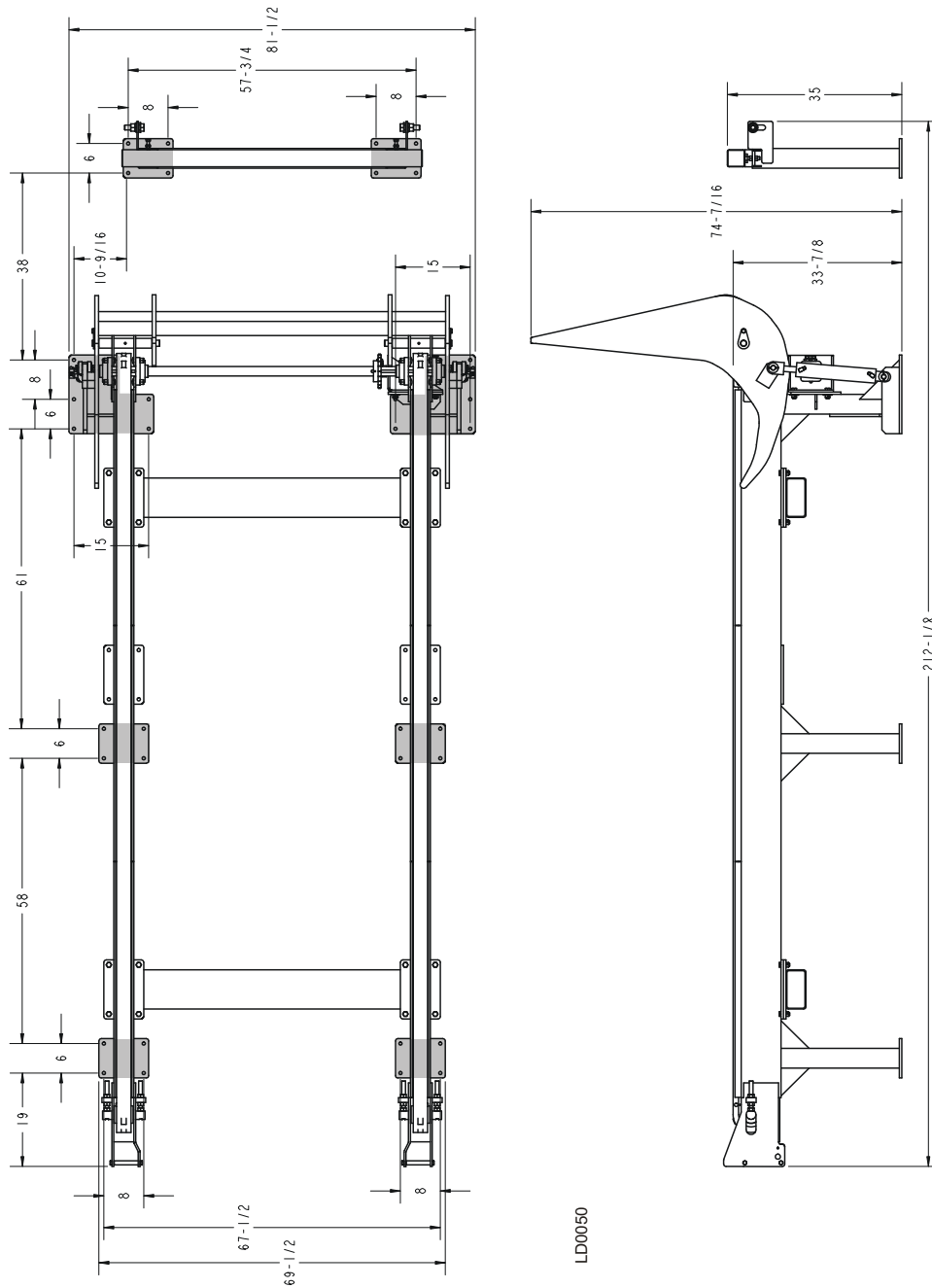


FIG. 2-6

See Figure 2-7. The overall dimensions of the 12-Foot Log Infeed Deck (LD12-1) are shown below. Use the LD12-1 for LT300, WM3000 and WM3500 model sawmills.

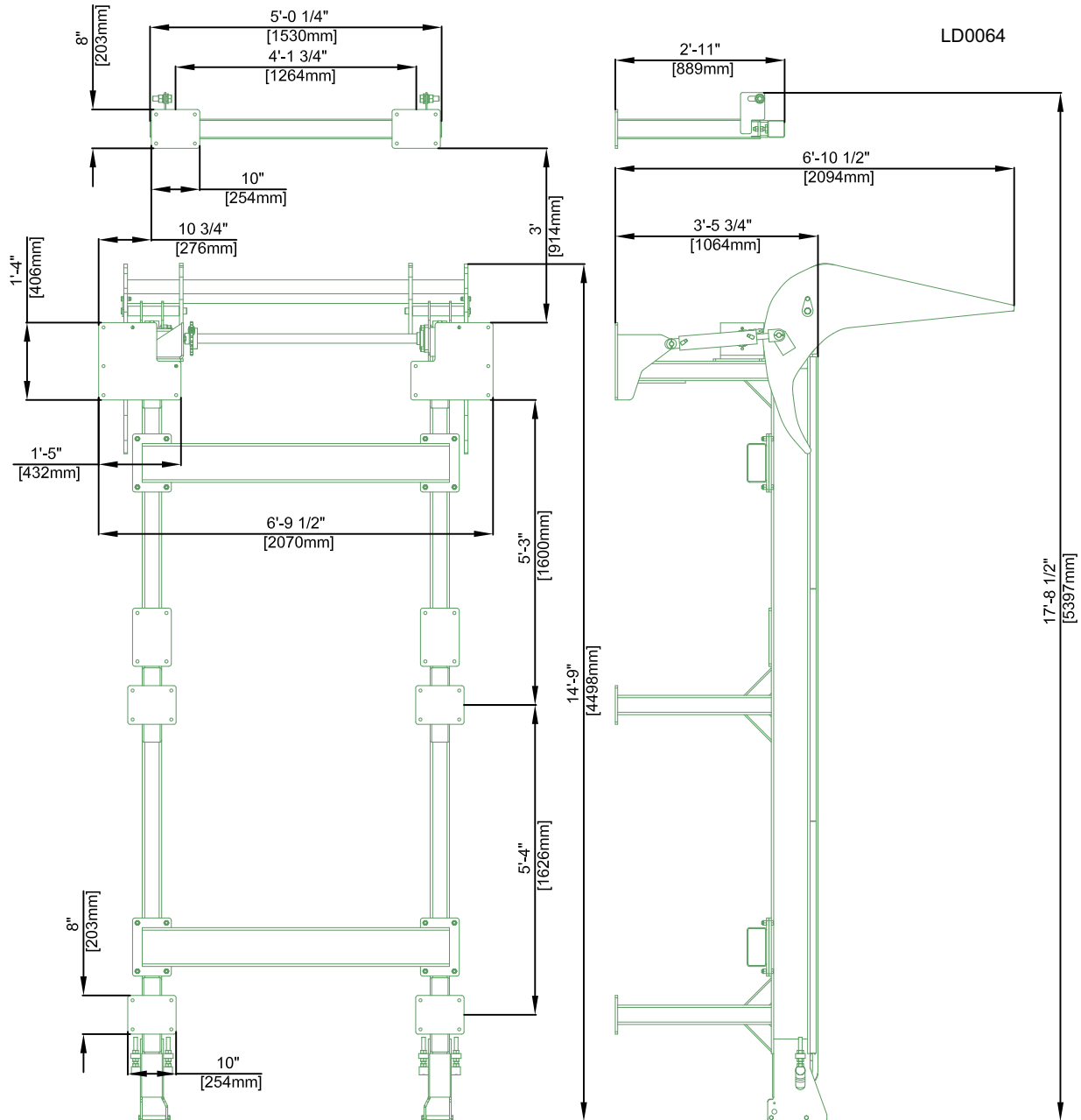


FIG. 2-7

2

Operation & Setup

Overall Dimensions (Rev. B1.00 - B1.03)

See **Figure 2-8**. The overall dimensions of the 20-Foot Log Infeed Deck (LD20) are shown. Use the LD20 for LT30/40/60/70 model sawmills.

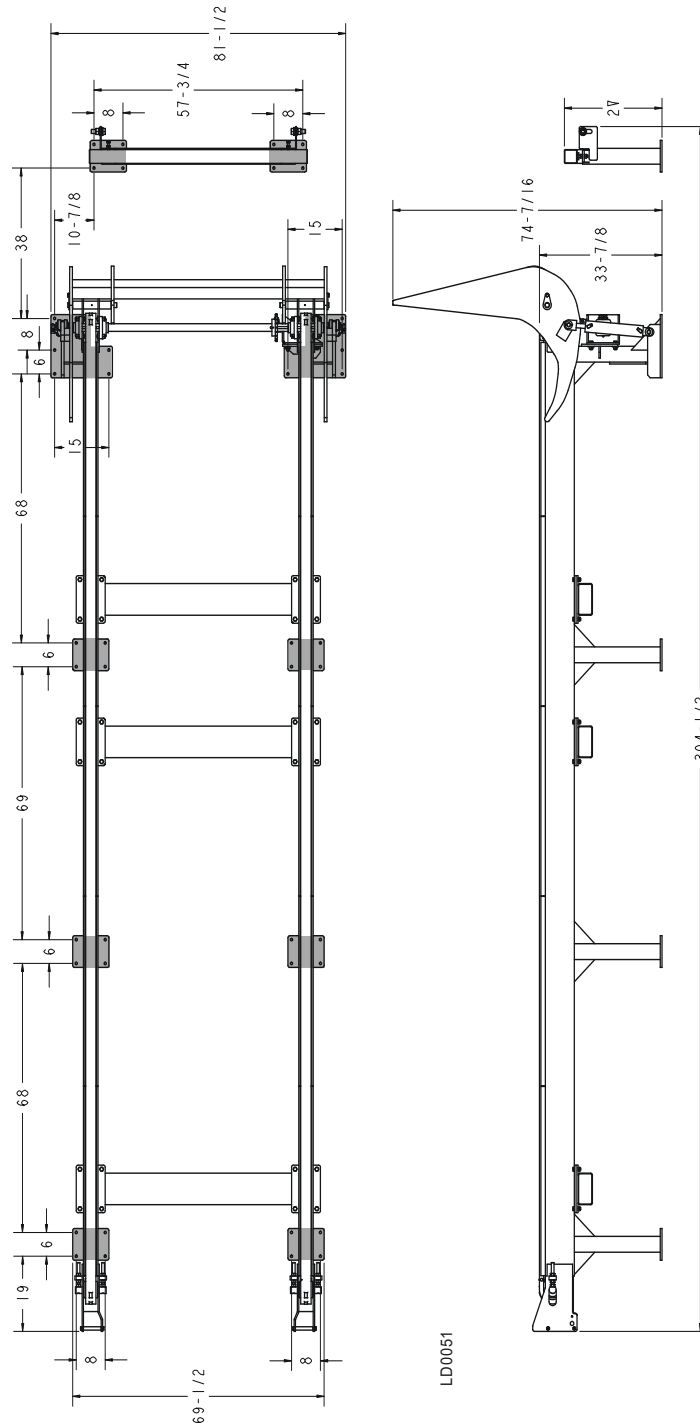


FIG. 2-8

See Figure 2-9. The overall dimensions of the 20-Foot Log Infeed Deck (LD20-1) are shown. Use the LD20-1 for LT300, WM3000 and WM3500 model sawmills.

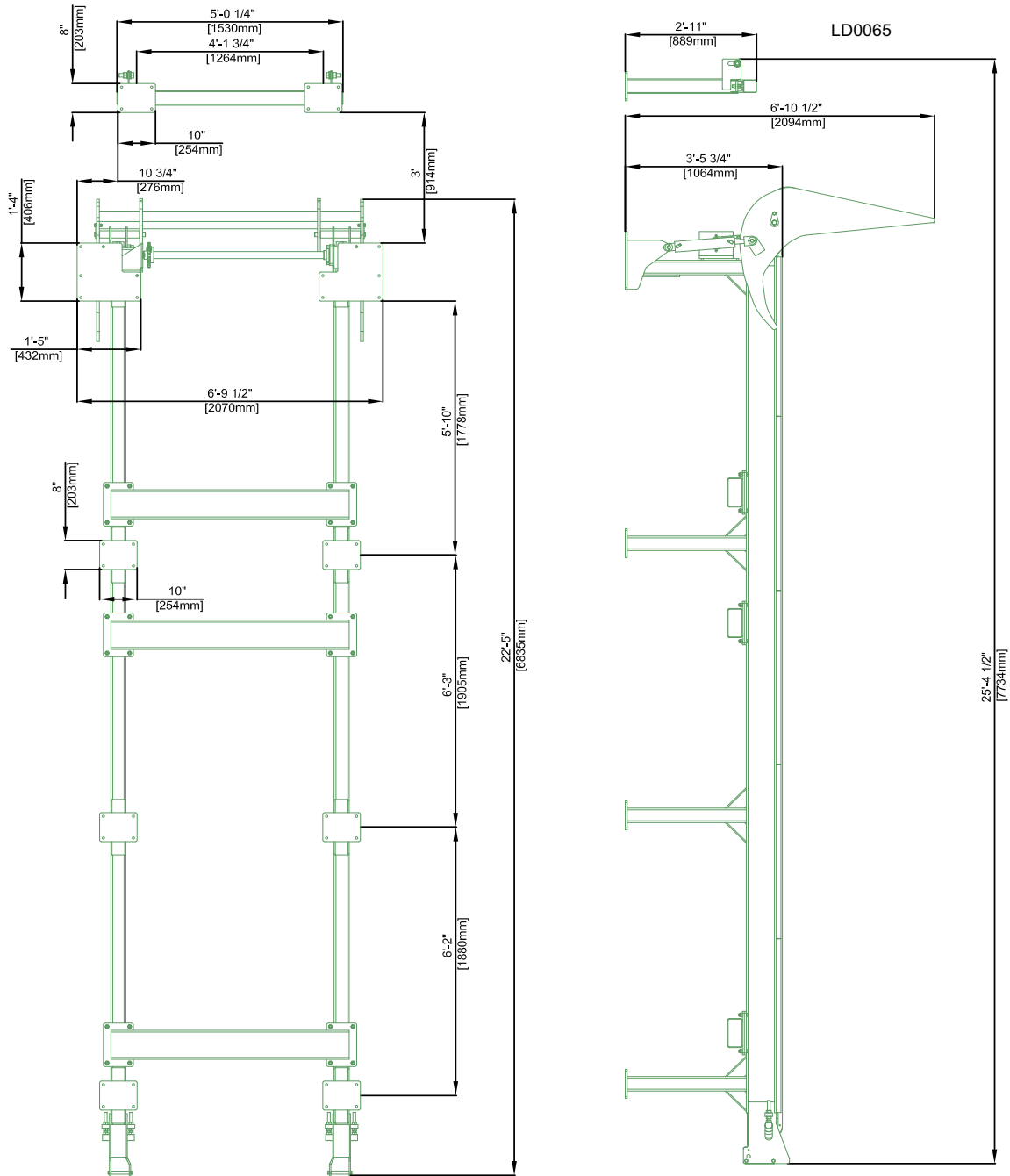


FIG. 2-9

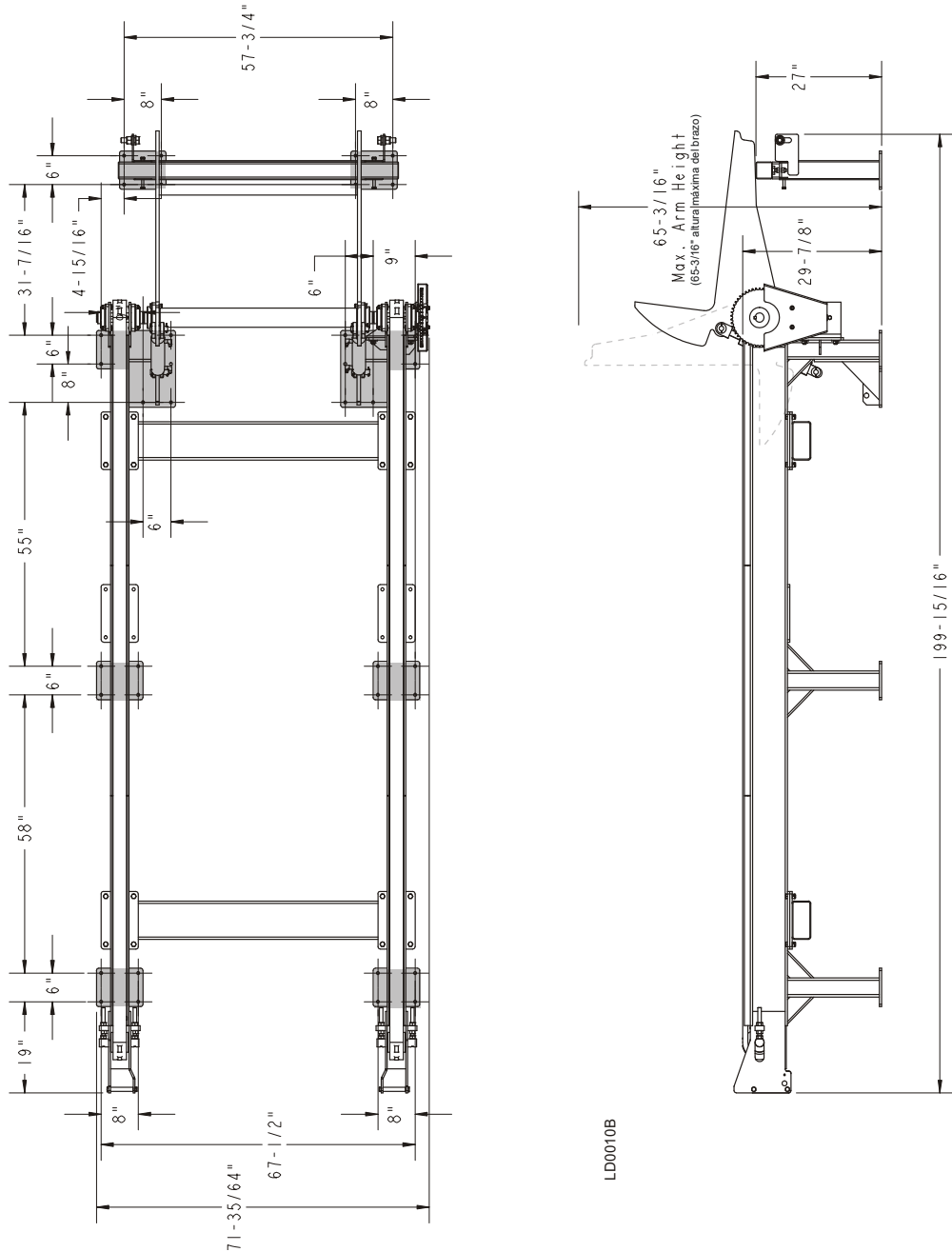
2

Operation & Setup

Overall Dimensions (Rev. A1.00 - A2.03)

2.4 Overall Dimensions (Rev. A1.00 - A2.03)

See Figure 2-10. The overall dimensions of the 12-Foot Log Infeed Deck (LD12) are shown below. Use the LD12 for LT30/40/60/70 model sawmills



LD0010B

FIG. 2-10

See Figure 2-11. The overall dimensions of the 12-Foot Log Infeed Deck (LD12-1) are shown below. Use the LD12-1 for LT300, WM3000 and WM3500 model sawmills.

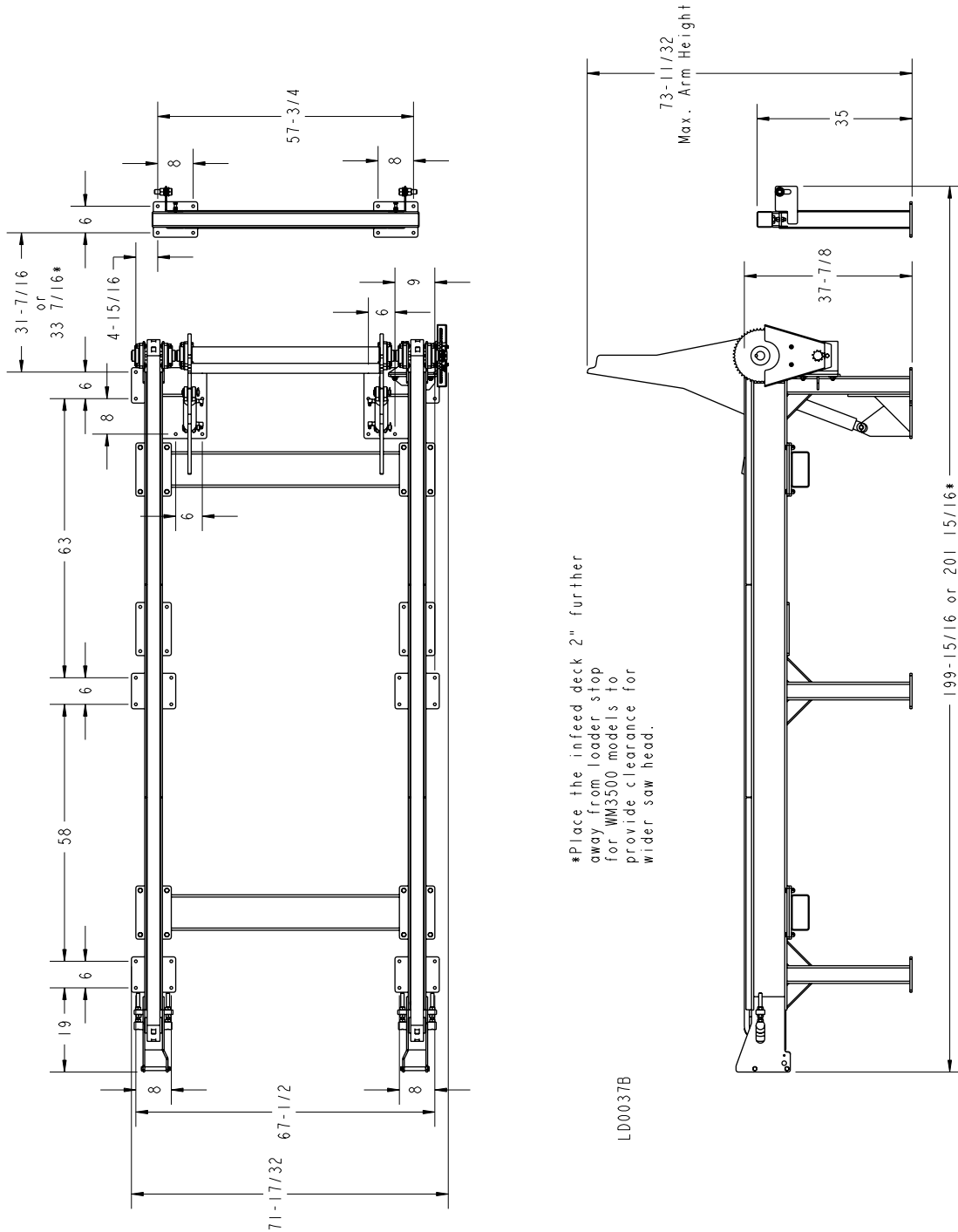


FIG. 2-11

2

Operation & Setup
Overall Dimensions (Rev. A1.00 - A2.03)

See **Figure 2-12**. The overall dimensions of the 20-Foot Log Infeed Deck (LD20) are shown. Use the LD20 for LT30/40/60/70 model sawmills.

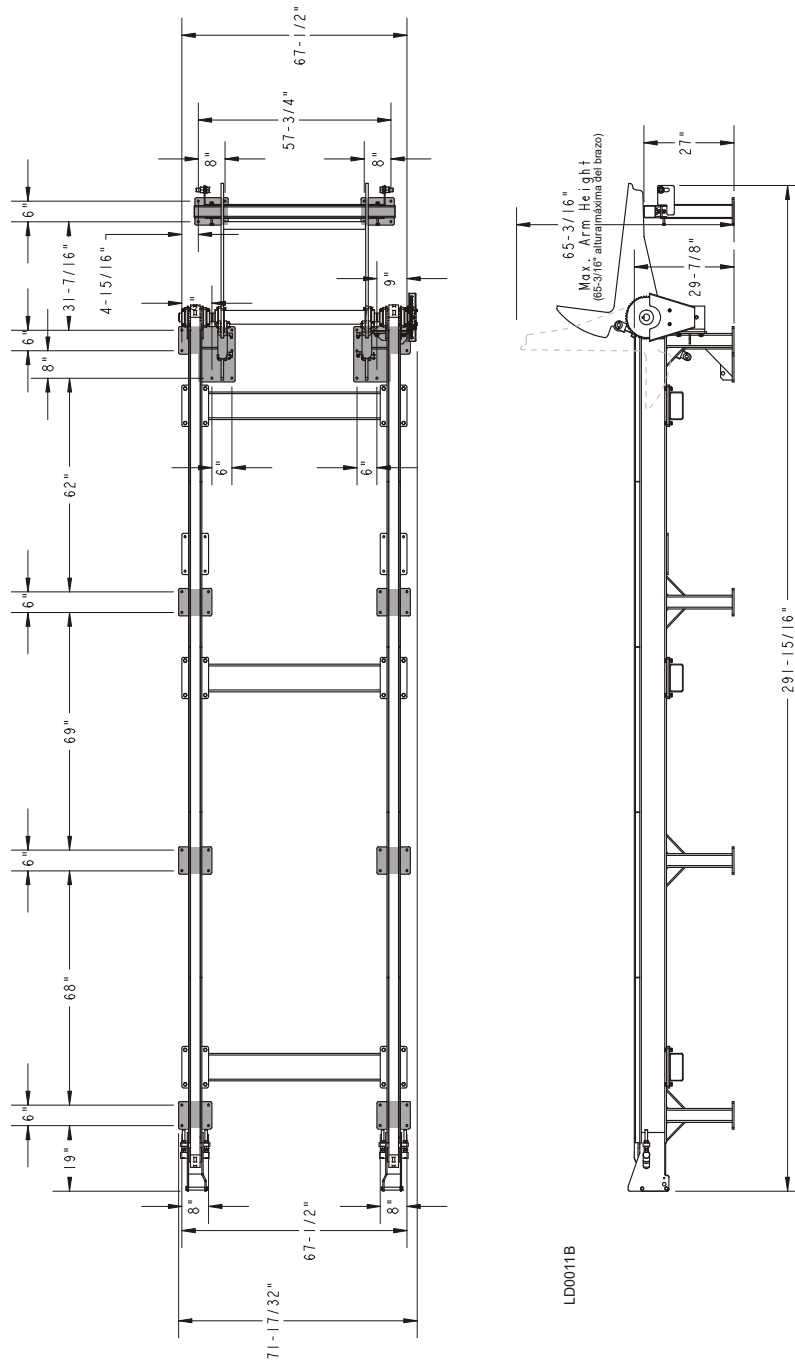


FIG. 2-12

See Figure 2-13. The overall dimensions of the 20-Foot Log Infeed Deck (LD20-1) are shown. Use the LD20-1 for LT300, WM3000 and WM3500 model sawmills.

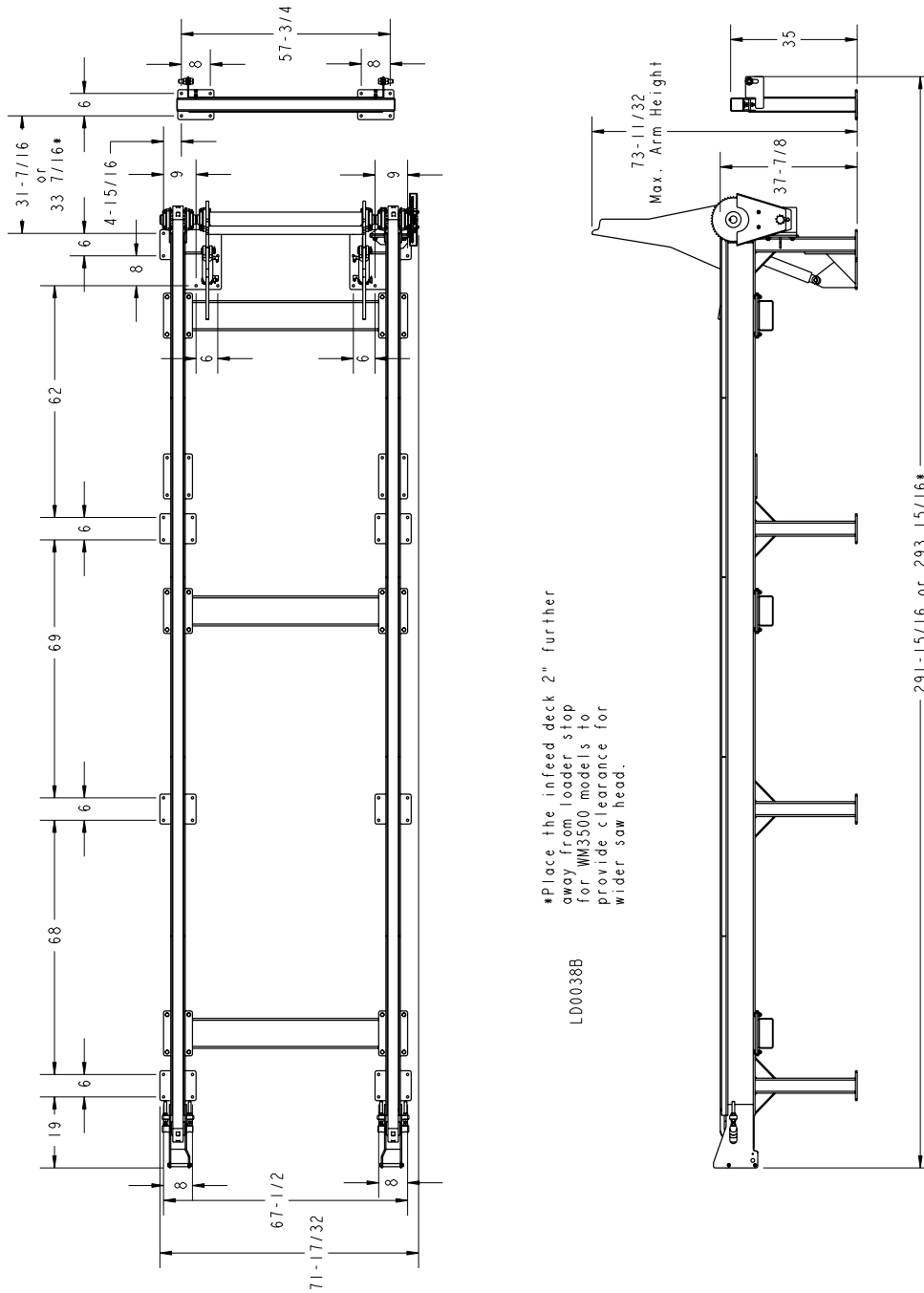


FIG. 2-13

2.5 Installation Overview

See Table 2-14. The Log Infeed Deck can be installed and used on several models of sawmills. Instructions and installation kits vary depending on the model of sawmill the log deck is to be installed on. See the chart below for a guide to the proper installation kit and instructions.

Sawmill Model	12' Log Deck Kit	20' Log Deck Kit	Installation Kit	Installation Instructions	Operating Instructions
'97+ LT30HD/40HD Super/Super Remote LT60HD/70HD (Non-Remote)	LD12	LD20	LD70/40KIT	See Section 2.6	See Section 2.11
LT70HD Super	LD12	LD20	LD70-SUPER KIT	See Section 2.7	See Section 2.12
LT70HD DCS	LD12	LD20	LD70-DCSKIT	See Section 2.7	See Section 2.13
LT70HD Remote	LD12	LD20	LD70-RKIT2 LD70-RKIT ¹	See Section 2.7	See Section 2.14
LT300 (Rev. A1 - A6.03)	LD12	LD20	LD300KIT	See Section 2.8	See Section 2.15
LT300 (Rev. A7- A8.00)	LD12-1 ²	LD20-1 ²	LD300KIT	See Section 2.8	See Section 2.15
LT300 (Rev. A9 - B2.02)	LD12-1	LD20-1	LD300KIT2 ³	See Section 2.9	See Section 2.15
LT300 (Rev. B3.00+) WM3000 (All) WM3500 (All)	LD12-1	LD20-1	LD300KIT3 ⁴	See Section 2.9	See Section 2.15
WM4000	LD12-1	LD20-1	LD4000KIT	See Section 2.10	See Section 2.16

TABLE 2-14

¹ Use LD70-RKIT2 to install Log Deck to LT70HD Remote Rev. A6.00 and later. Use LD70-RKIT for LT70HD Remote with extra 8th valve port.

² LT300 after Rev. A7.00 increased height 8". LD12-1 and LD20-1 will accommodate new height of LT300.

³ Use LD300KIT2 to install Log Deck to LT300 Rev. A9.00 - B2.02 (Includes valve assembly no longer supplied on LT300).

⁴ Use LD300KIT3 to install Log Deck to LT300 Rev. B3.00 and later and all WM3000 and WM3500 (Includes electrical harnessing to accommodate new control configuration).

2.6 Log Deck Installation (All Supers & LT60HD/70HD non-Remote)

Prepare a firm, level area where the Log Infeed Deck can be anchored. A cement pad with 1/2" diameter anchor bolts is recommended.

2.6.1 Log Loader Removal

1. If applicable, remove the hydraulic log loader. Remove the two pivot pins securing the log loader assembly to the sawmill frame.
2. Locate the 'T' fittings where the loader cylinder hoses connect. Disconnect the hose coming from the pump. Label the hoses "top" and "bottom" so they are easy to identify when you connect to the Log Infeed Deck. Plug the hoses to prevent fluid leaks. Remove any hose clamps as necessary so the log loader can be removed from the sawmill.

See Figure 2-15.

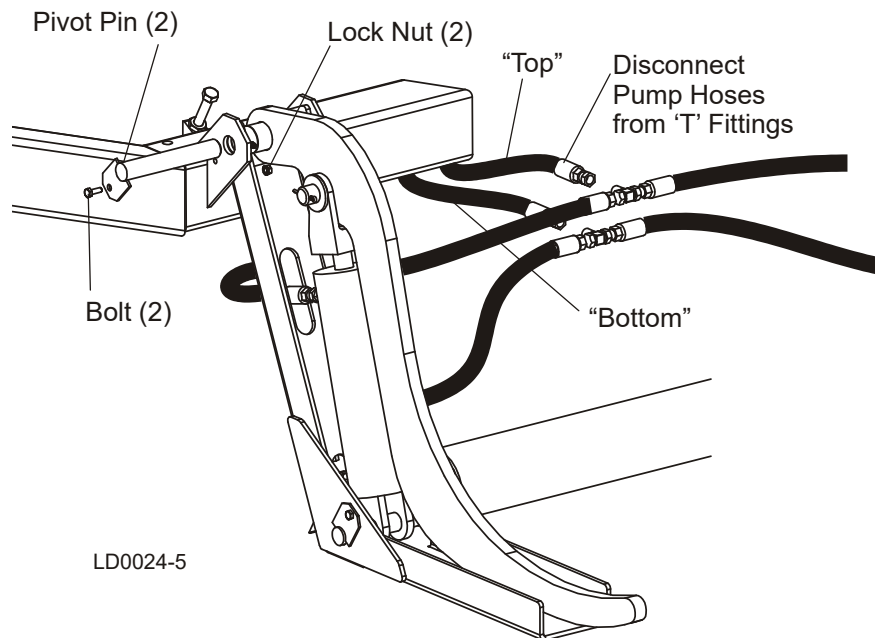


FIG. 2-15

3. Remove the log loader assembly from the sawmill. Use the provided cap fittings to cap the empty port of the 'T'-fittings. Store the log loader assembly away from the sawmill.

2.6.2 Log Deck Installation (Sawmills With Trailer Option) (Rev B1.00+)

The sawmill trailer must be removed in order to attach the log deck loader.

1. Move the sawhead to the forward position on your mill.
2. If not already accomplished, lower the outriggers.
3. Follow the brake wire (blue) from the frame to the axle. **At the connection** between the mill and the brake (where the blue wire meets the white wire) cut the blue wire. Secure the wire to prevent possible retreat into the frame tube. It may be reused in the future.

See Figure 2-16.

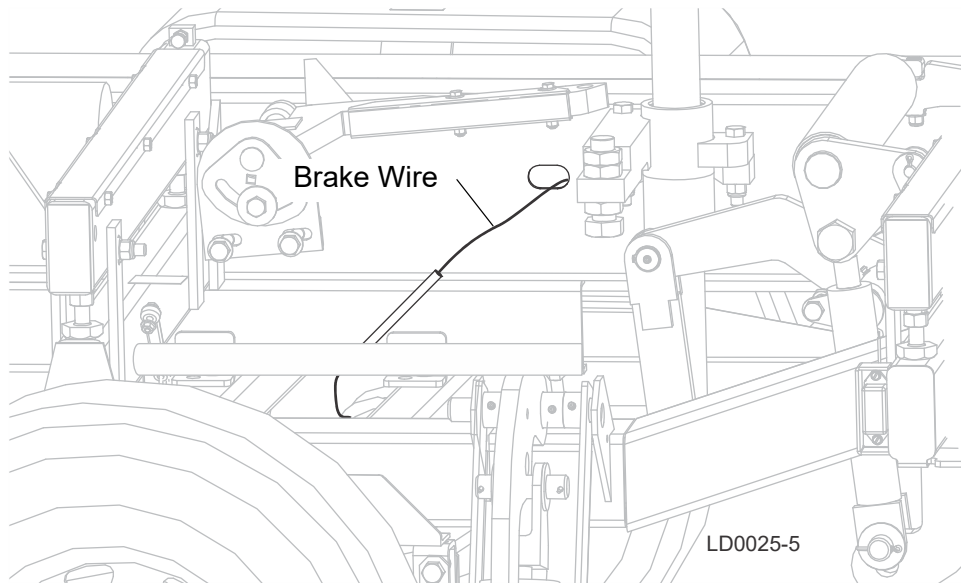


FIG. 2-16

4. Loosen the lug nuts on both wheels.
5. Position the outriggers so that the front end of the sawmill frame is lower and the rear outriggers raise the weight off of the trailer tires.
6. Remove the wheels.
7. Position a support (a floor jack is recommended) under the axle before unfastening the bolts.

8. Unfasten the four axle bolts and lower the axle.
9. Slide the axle out from under the mill.

NOTE: The axle is heavy and requires two people to remove.

10. Continue with Section 2.6.4 Log Deck Installation (Sawmills Without Trailer Option).

2.6.3 Log Deck Installation (Sawmills With Trailer Option) (Rev A1.00 - A2.03)

1. Place the log deck loader stop in position close to the sawmill frame, but not touching the trailer tire. Orient the loader stop so the mounting brackets face away from the sawmill. Center the loader stop with the sawmill loading arm brackets.

See Figure 2-17.

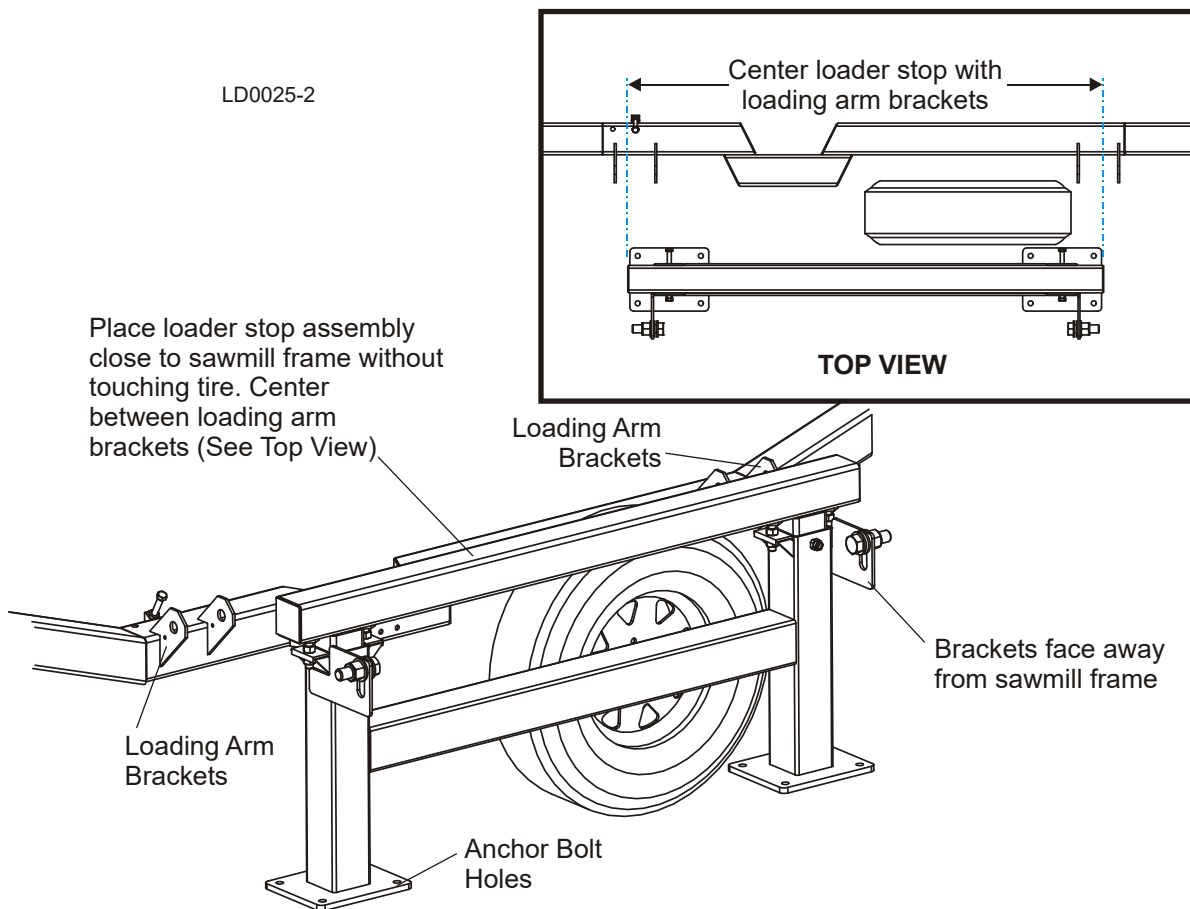


FIG. 2-17

2. Use 1/2" anchor bolts and nuts at each of the two foot locations to anchor the log deck loader stop to the floor.
3. Install the provided adaptor brackets to the end of the log deck. The brackets mount underneath the inner drive bearings. Remove the bearing nuts and loosen the bearing set screws to slide the bearing away from the frame.

See Figure 2-18.

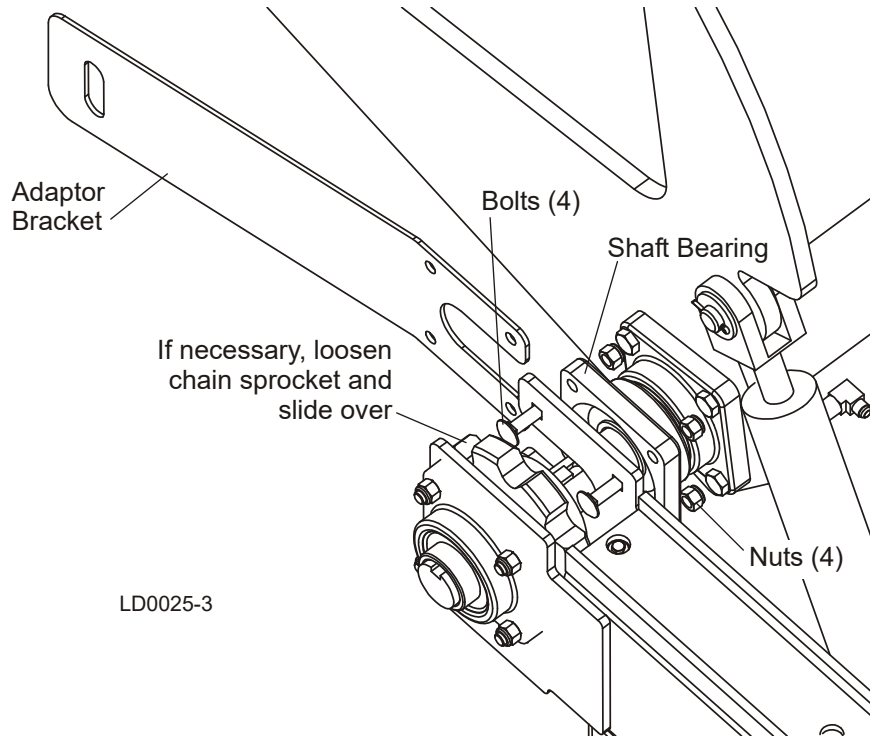


FIG. 2-18 REV. A1.00 - A2.03

4. Slide the bearing bolts out enough so you can slide the adaptor bracket between the bearing and frame.

NOTE: You may have to move the log deck chain sprocket to allow the bearing bolts to move far enough. Loosen the sprocket set screw and slide the sprocket over. If the log deck chain is too tight to allow the sprocket to move, break the chain apart.

5. Slide the bearing bolts through the adaptor plate and the shaft bearing and secure the bearing with the nuts. Tighten the shaft bearing set screws. If applicable, reassemble the log deck chain around the sprocket. Slide the sprocket back to its original position and tighten the set screw.
6. Repeat for the other adaptor bracket at the other side of the log deck.
7. Position the log deck frame so the holes in the adaptor brackets align with the holes in the loader stop brackets. Secure the log deck to the loader stop with the provided bolts, flat washers and lock nuts.

2 Operation & Setup

Log Deck Installation (Sawmills With Trailer Option) (Rev A1.00 - A2.03)

See Figure 2-19.

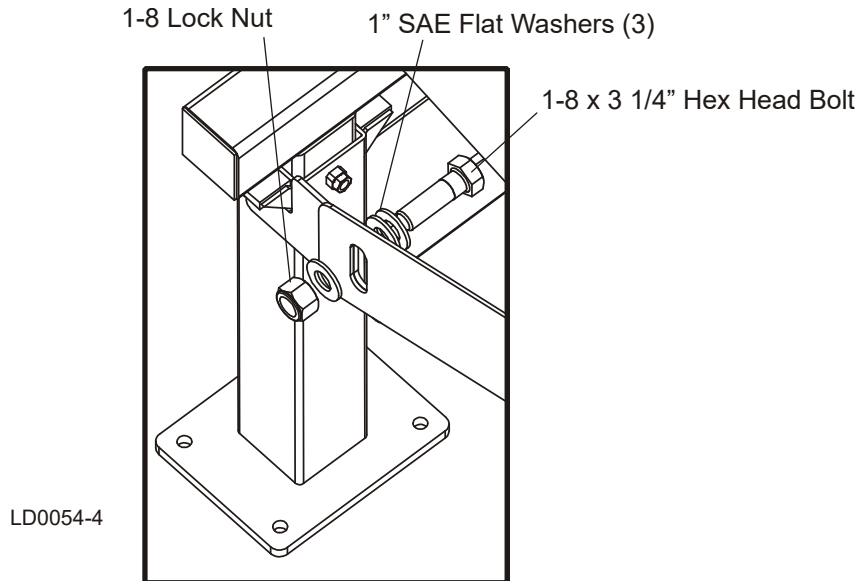


FIG. 2-19 REV. B1.00 - B1.03

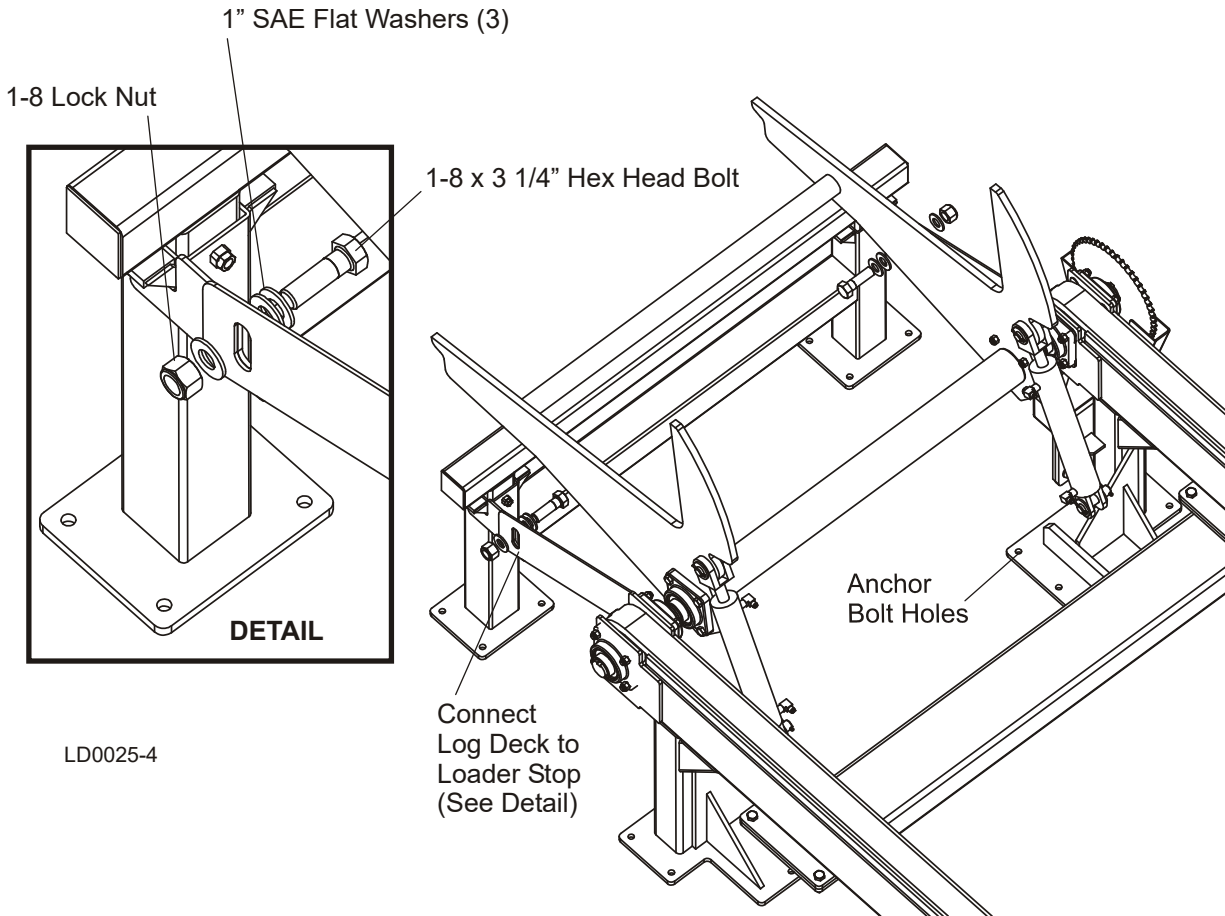


FIG. 2-19 REV. A1.00 - A2.03

8. Use 1/2" anchor bolts and nuts at each of the foot locations to anchor the log deck frame to the floor.



WARNING! Securely fasten the feet of the Log Infeed Deck to the floor before operating the Log Infeed Deck. Failure to do so may result in serious injury or death.

2.6.4 Log Deck Installation (Sawmills Without Trailer Option)

1. Place the log deck loader stop in position close to the sawmill frame and secure to the loader brackets with the provided bolts, flat washers and nuts. Make sure the loader stop is level and both feet touch the floor before securing.

See Figure 2-20.

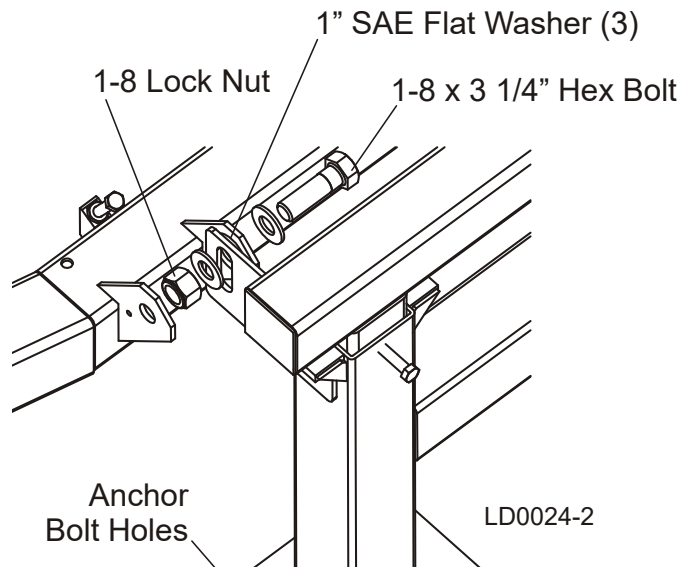


FIG. 2-20

2. Use 1/2" anchor bolts and nuts at each of the two foot locations to anchor the log deck loader stop to the floor.
3. **Rev. B2.00+:** Position the log deck frame approximately 22 1/4" (565mm) (26 1/4" (667m) for mills equipped with the wide head) away from the loader stop. The loader arms should rest on the loader stop when lowered.

See Figure 2-21.

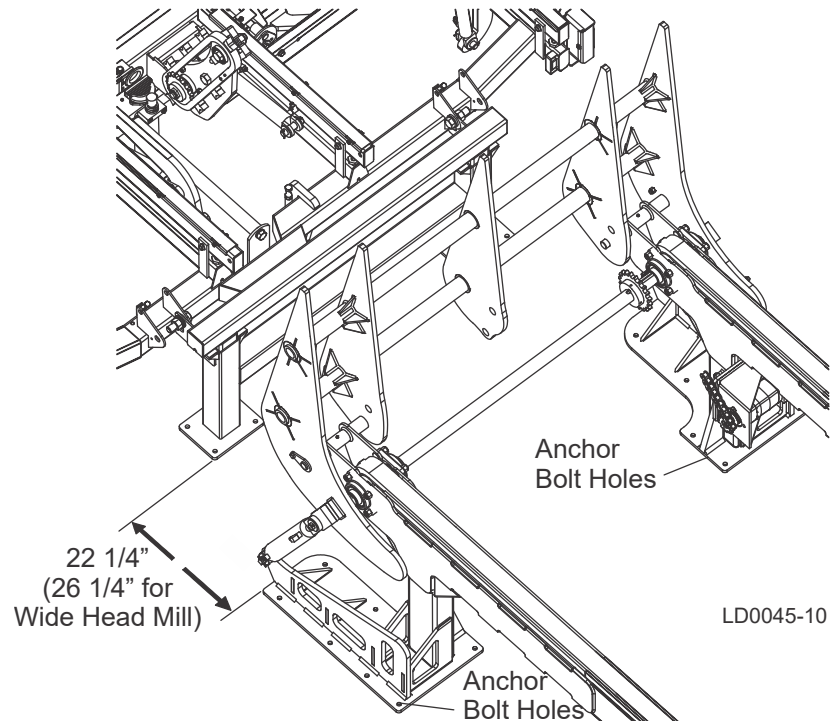


FIG. 2-21 REV. B2.00+

- 4. Rev. B1.00 - B1.03:** Position the log deck frame approximately 36" (915mm) (40" (1m) for mills equipped with the wide head) away from the loader stop. The loader arms should rest on the loader stop when lowered.

2

Operation & Setup

Log Deck Installation (Sawmills Without Trailer Option)

See Figure 2-22.

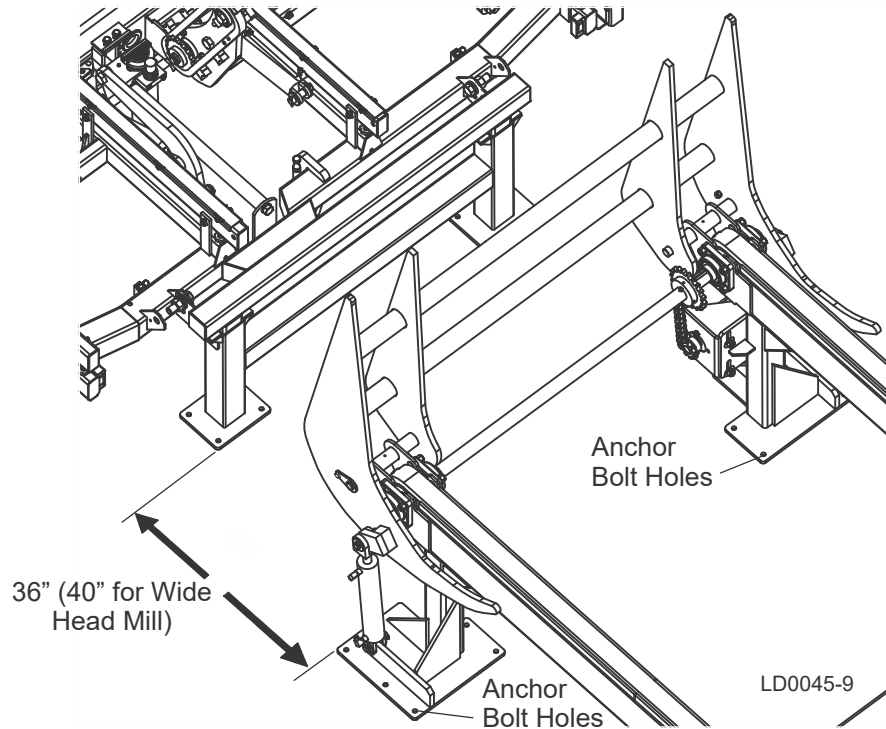


FIG. 2-22 REV. B1.00 - B1.03

- 5. Rev. A1.00 - A2.03:** Position the log deck frame approximately $29 \frac{7}{16}$ " (750mm) away from the loader stop. The loader arms should rest on the loader stop when lowered.

See Figure 2-23.

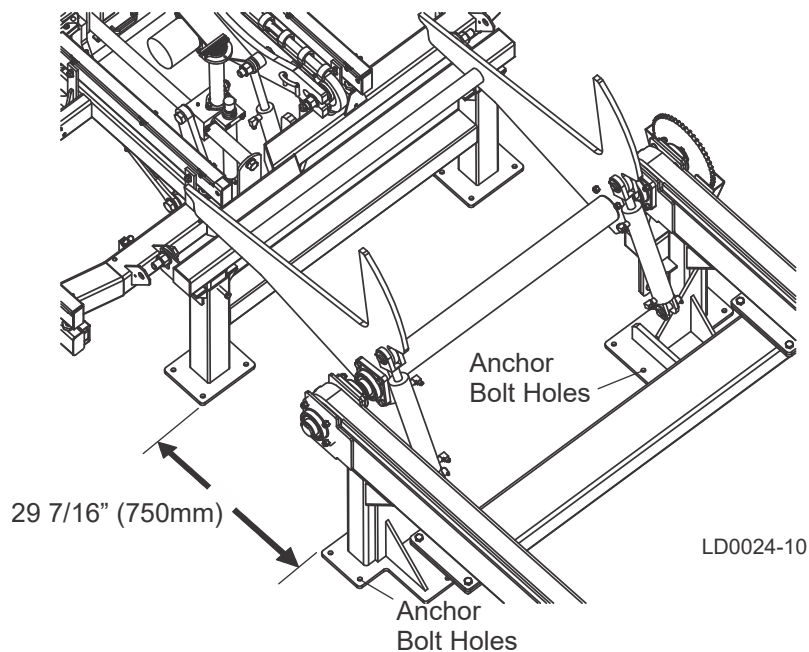


FIG. 2-23 REV. A1.00 - A2.03

6. Use 1/2" anchor bolts and nuts at each of the foot locations to anchor the log deck frame to the floor.



WARNING! Securely fasten the feet of the Log Infeed Deck to the floor before operating the Log Infeed Deck. Failure to do so may result in serious injury or death.

2.6.5 Hydraulic Installation

1. Assemble the provided valve cartridges to the valve bodys and tighten to 50 ft.-lbs. torque. Install the six provided #8 SAE x 3/8" JIC Elbow fittings to the two valve bodies and mount the valve assemblies to the mounting bracket with the provided 1/4-20 x 3 1/2" hex head bolts and lock nuts. Be sure the #2 ports of the valve bodies are oriented up.

See Figure 2-24.

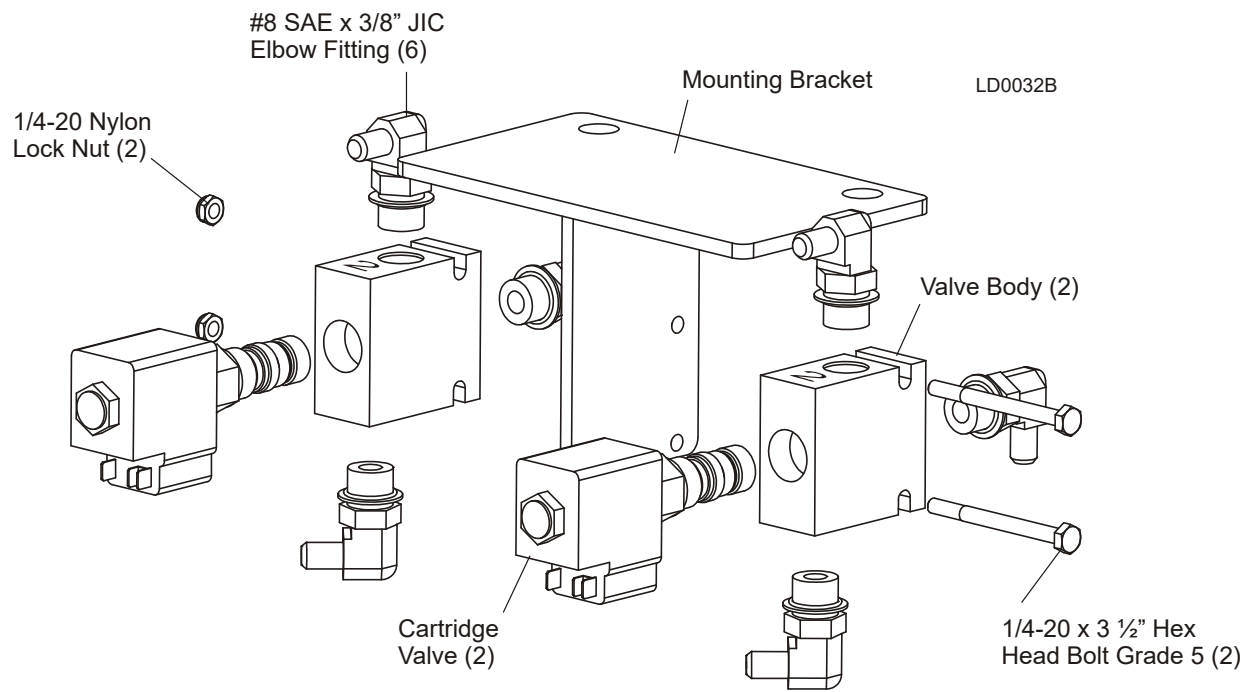


FIG. 2-24

2. Install the hydraulic valve assembly to the log deck frame. Remove two frame tube bolts and lock nuts from the log deck frame. Install the valve assembly and reinstall the bolts and lock nuts.

See Figure 2-25.

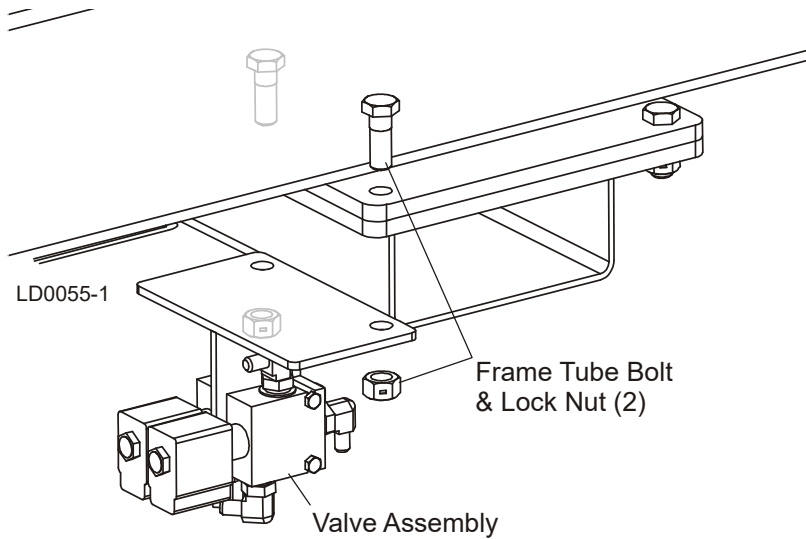


FIG. 2-25 REV. B1.00+

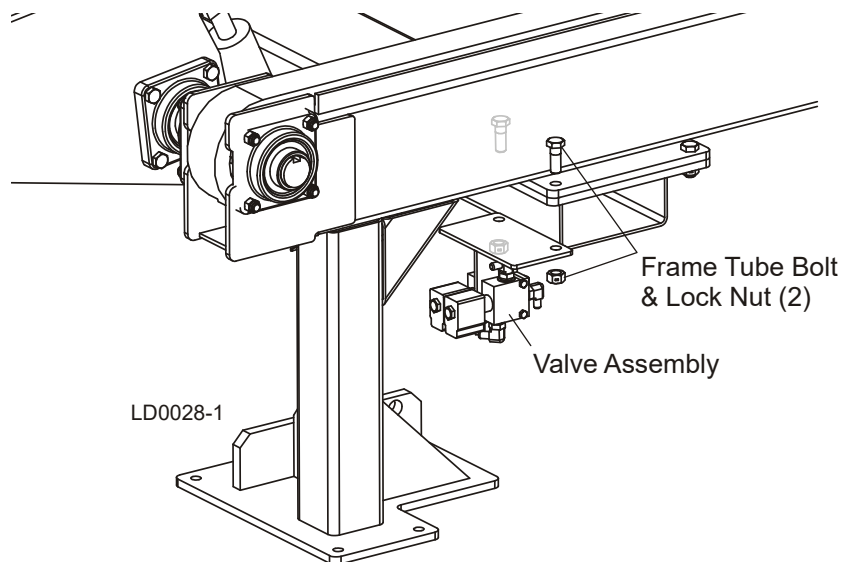


FIG. 2-25 REV. A1.00 - A2.03

3. Use the provided union fittings to connect two 7' extension hoses to the sawmill loader hoses. Connect the other end of the hoses to the #2 ports of the hydraulic valves. Connect the "top" hose to the outermost valve and the "bottom" hose to the innermost valve.

See Figure 2-26.

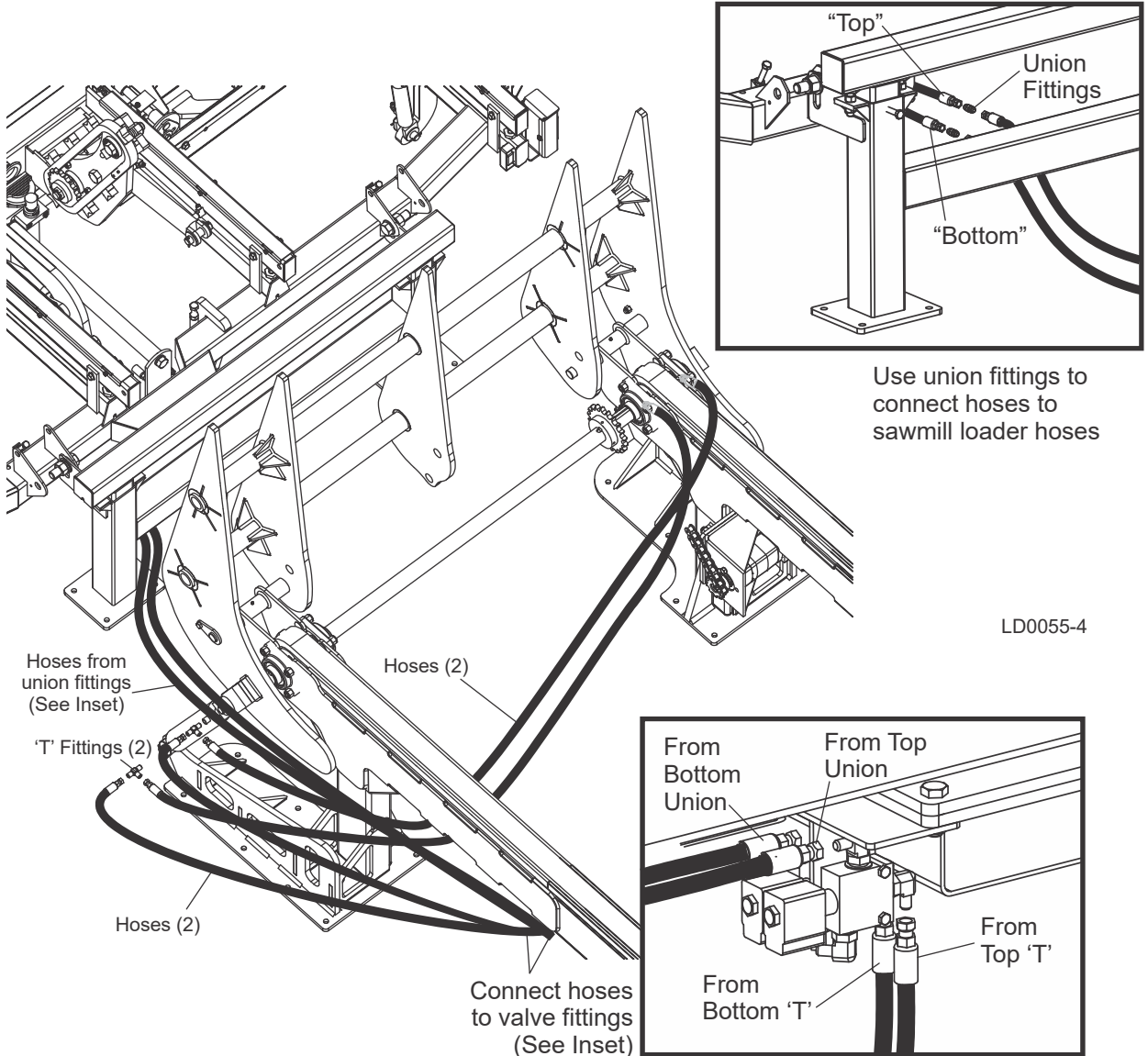


FIG. 2-26 REV. B2.00+

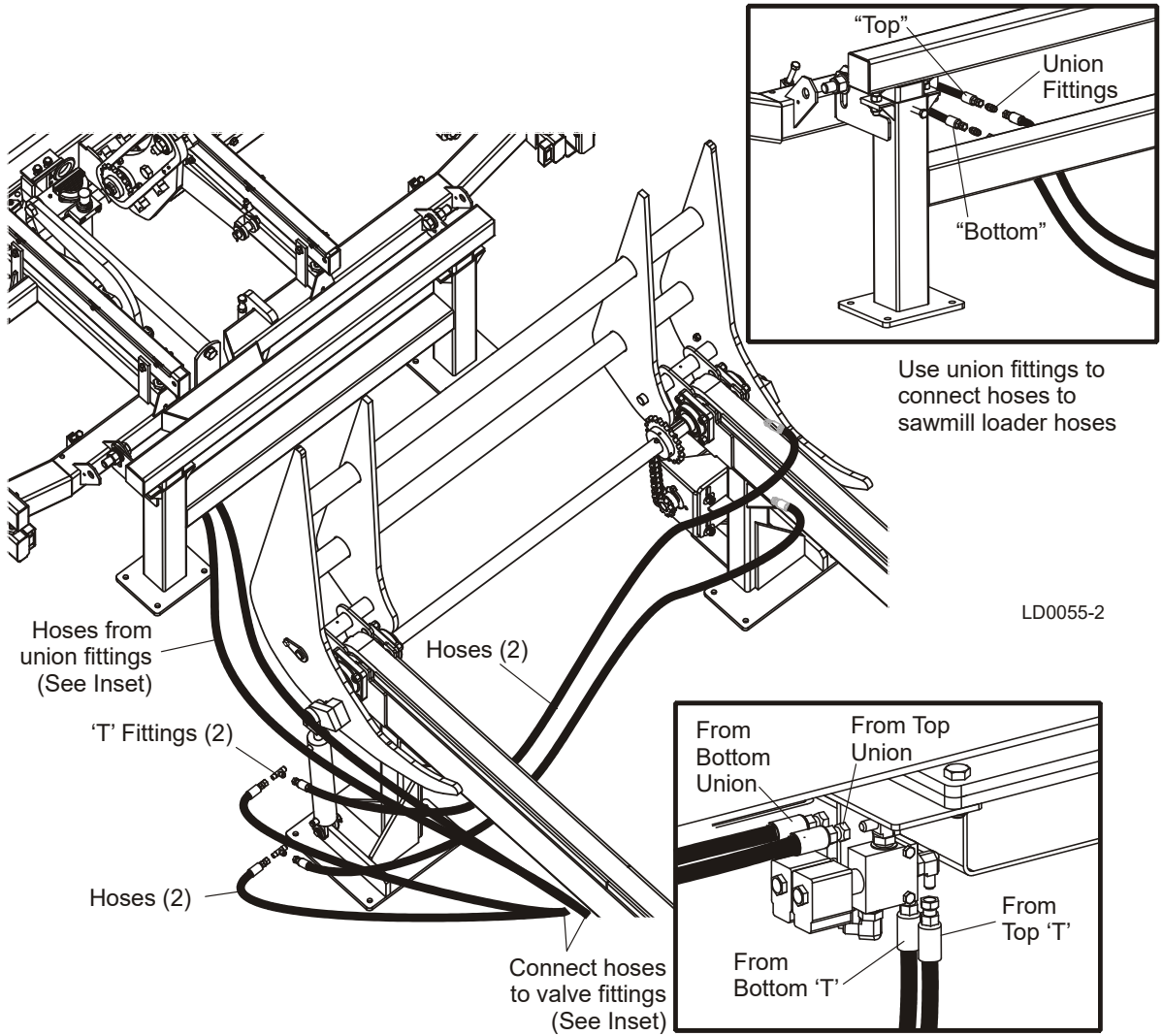


FIG. 2-26 REV. B1.00 - B1.03

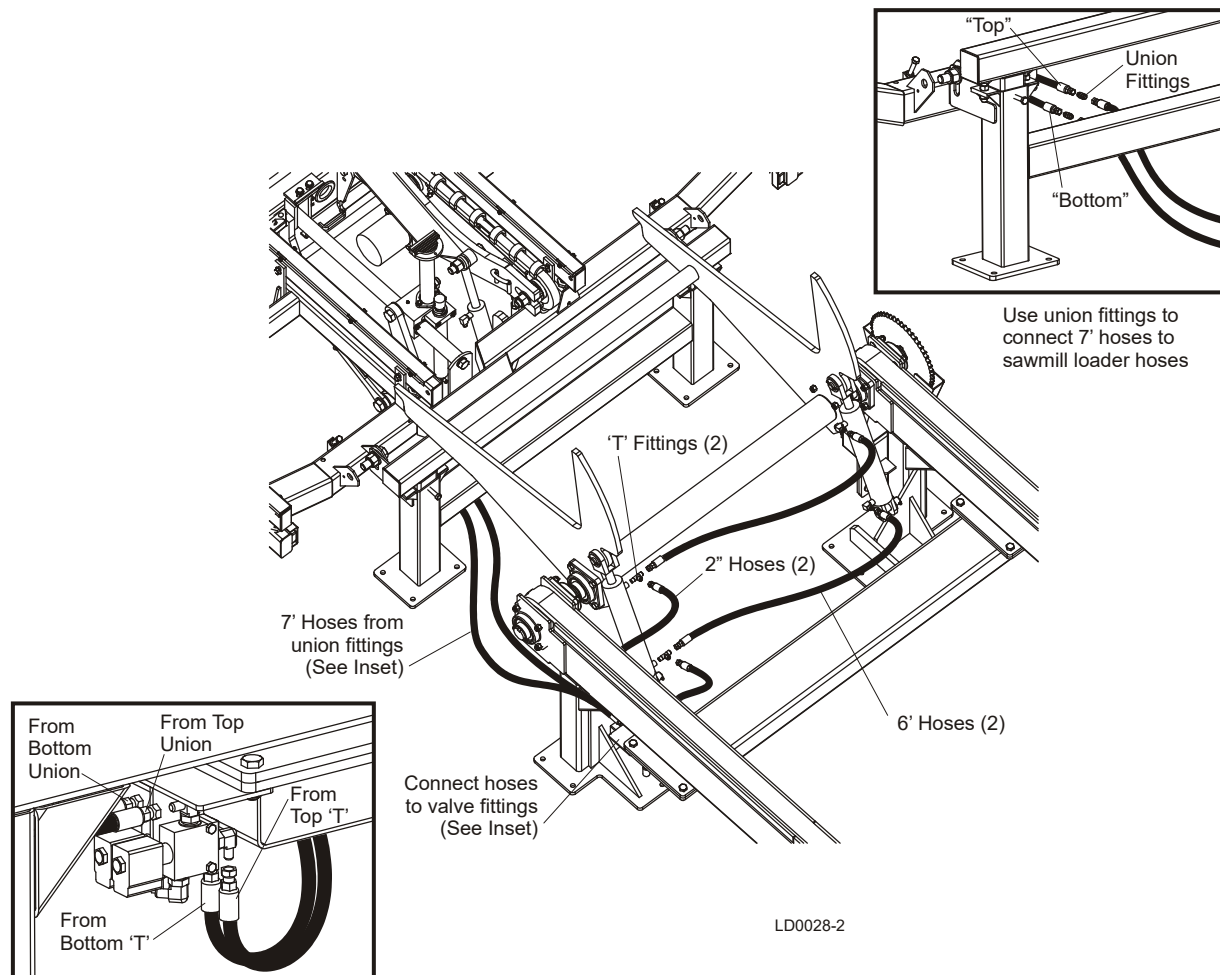
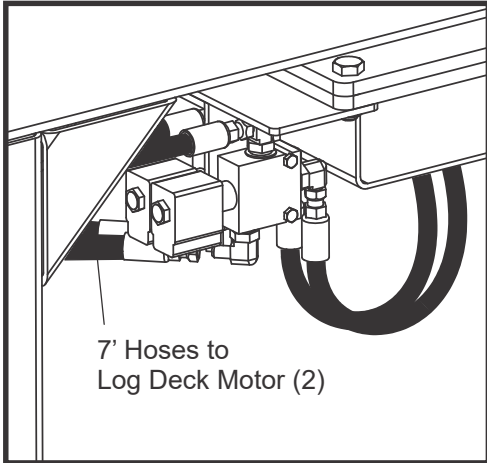


FIG. 2-26 REV. A1.00 - A2.03

4. Remove the fittings from the left log deck loader cylinder and replace with the two provided male run 'T' fittings. Use the 6' hoses to connect the top and bottom 'T' fittings to the top and bottom fittings on the other cylinder.
5. Use the 2' hoses to connect the 'T' fittings to the #3 ports of the hydraulic valves. Connect the hose from the top 'T' to the outermost valve and the hose from the bottom 'T' to the innermost valve.
6. Connect the two remaining 7' hydraulic hoses to the #1 ports of the hydraulic valves. Route the hoses to the hydraulic drive motor on the log deck.
7. Remove the two plug fittings from the hydraulic drive motor and install the two provided fittings. These fittings are pre-installed after 1/05.

See Figure 2-27.



LD0055-5

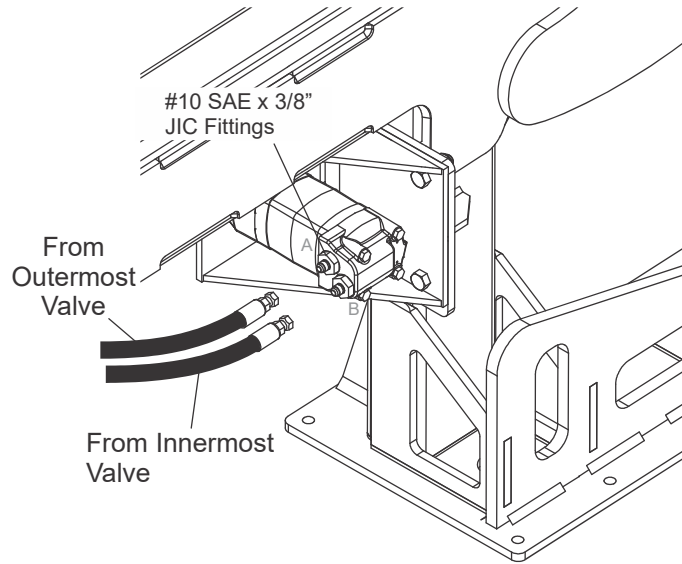
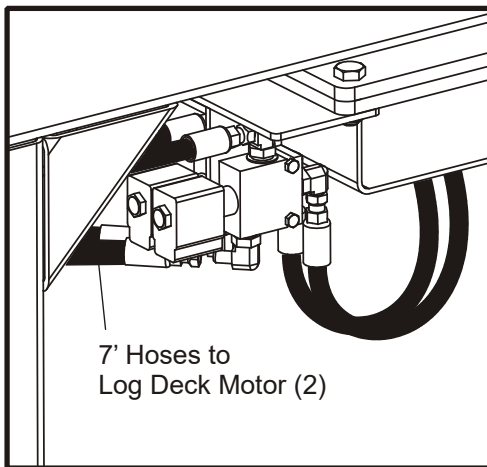


FIG. 2-27 REV. B2.00+



LD0055-3

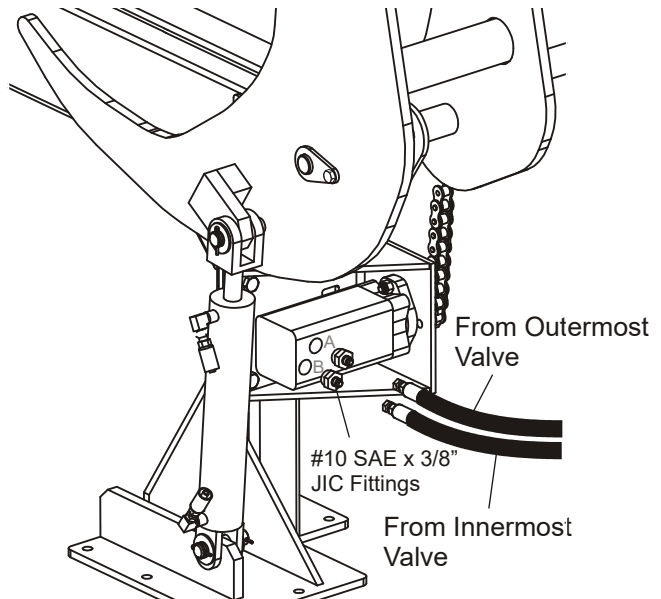
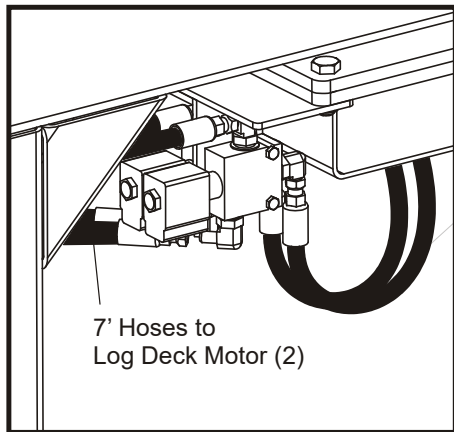


FIG. 2-27 REV. B1.00 - B1.03

2

Operation & Setup Hydraulic Installation



LD0028-3

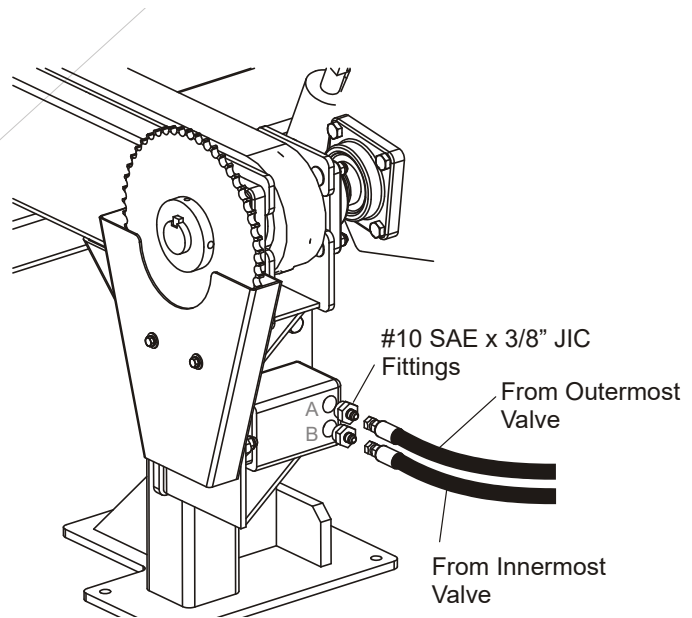


FIG. 2-27 REV. A1.00 - A2.03

8. Connect the hose from the outermost valve to top port 'A' of the hydraulic drive motor. Connect the hose from innermost valve to bottom port 'B' on the hydraulic drive motor.

2.6.6 Electrical Installation



DANGER! Make sure all electrical installation, service and/or maintenance work is performed by a qualified electrician and is in accordance with applicable electrical codes.



WARNING! Consider all electrical circuits energized and dangerous.

WARNING! Never assume or take the word of another person that the power is off; check it out and lock it out.

WARNING! Do not wear rings, watches, or other jewelry while working around an open electrical circuit.

WARNING! Before performing service near moving parts such as blades, pulleys, motors, belts and chains, make sure the unit is not in use. If the unit is operated and moving parts activated, serious injury may result.

1. Disconnect the power from the machine. Lock and tag out the machine prior to performing this procedure.
2. Connect the provided long 300" wire cable to the hydraulic valves. Connect the white wire to the first terminal on the outermost valve. Connect the black wire to the last terminal on the innermost valve. Use the two provided jumper wires to connect the two valves.

See Figure 2-28.

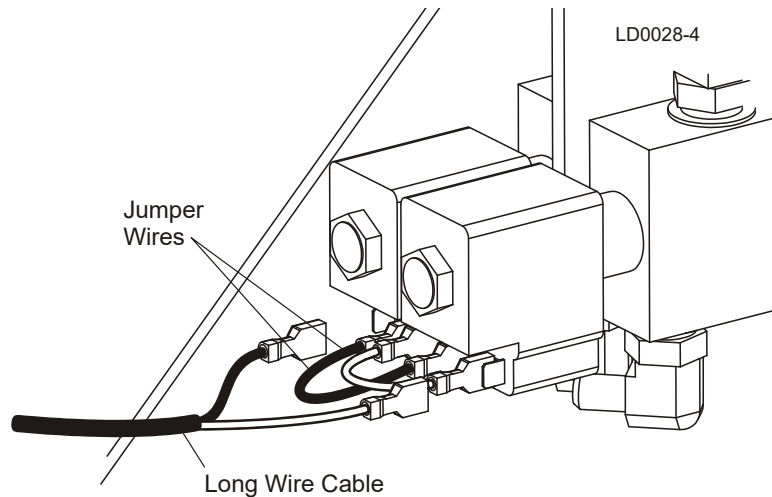


FIG. 2-28

3. Route the cable along the hydraulic hoses to the hole in the sawmill bed frame tube. Remove the cover from the hydraulic pump box. Use a fish tape to pull the cable through the frame tube into the hydraulic pump box.
4. Connect the harness as described for the specific sawmill model below:

See Figure 2-29. LT30HD/40HD non-remote & LT60HD/70HD non-remote DC sawmills: Drill holes in the hydraulic pump box at the dimensions shown. Install the toggle switch, guard and boot and secure with the provided screw and lock nut. Be sure to orient the switch with the spade terminals as shown. Connect the provided fuse assembly to the top terminal of the toggle switch and the hydraulic pump solenoid. Connect the black wire of the log deck cable to the side terminal of the toggle switch. Connect the white wire of

the log deck cable to the solenoid mounting bolt.

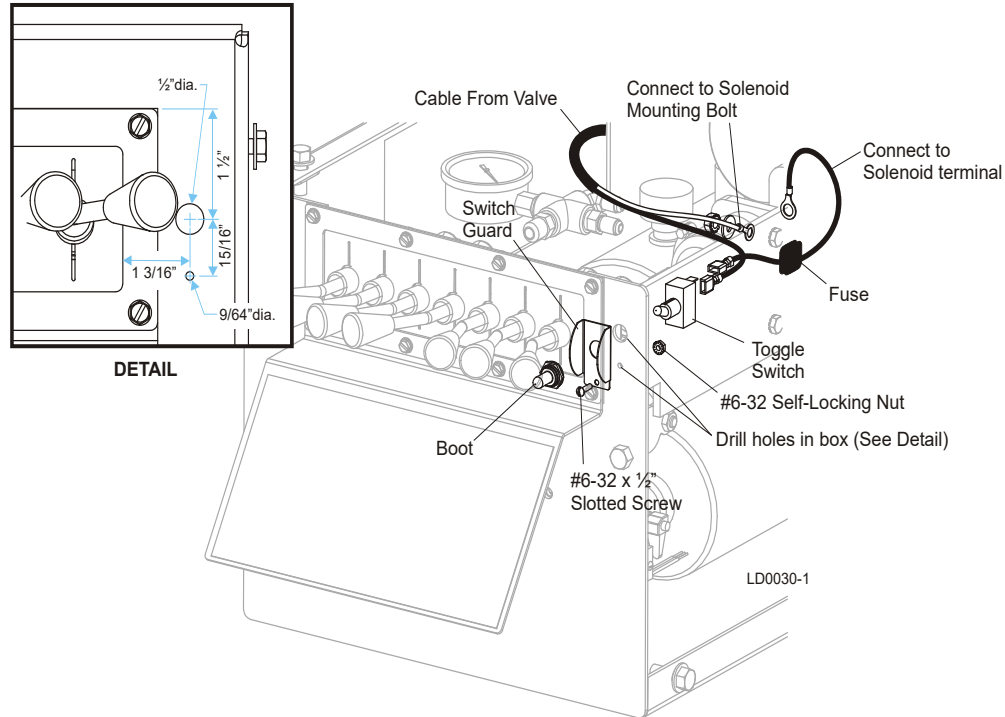


FIG. 2-29

See Figure 2-30. LT30HD/40HD remote w/command control: Drill holes in the command control box at the dimensions shown. Install the toggle switch, guard and boot and secure with the provided screw and lock nut. Be sure to orient the switch with the spade terminals as shown. Connect the white wire of the provided 108" cable to the side terminal of the toggle switch. Connect the black wire of the 108" cable to the top terminal of the toggle switch. Route the 108" cable out the rear of the control box, along the existing

2 Operation & Setup

Electrical Installation

hydraulic hoses into the hydraulic pump box.

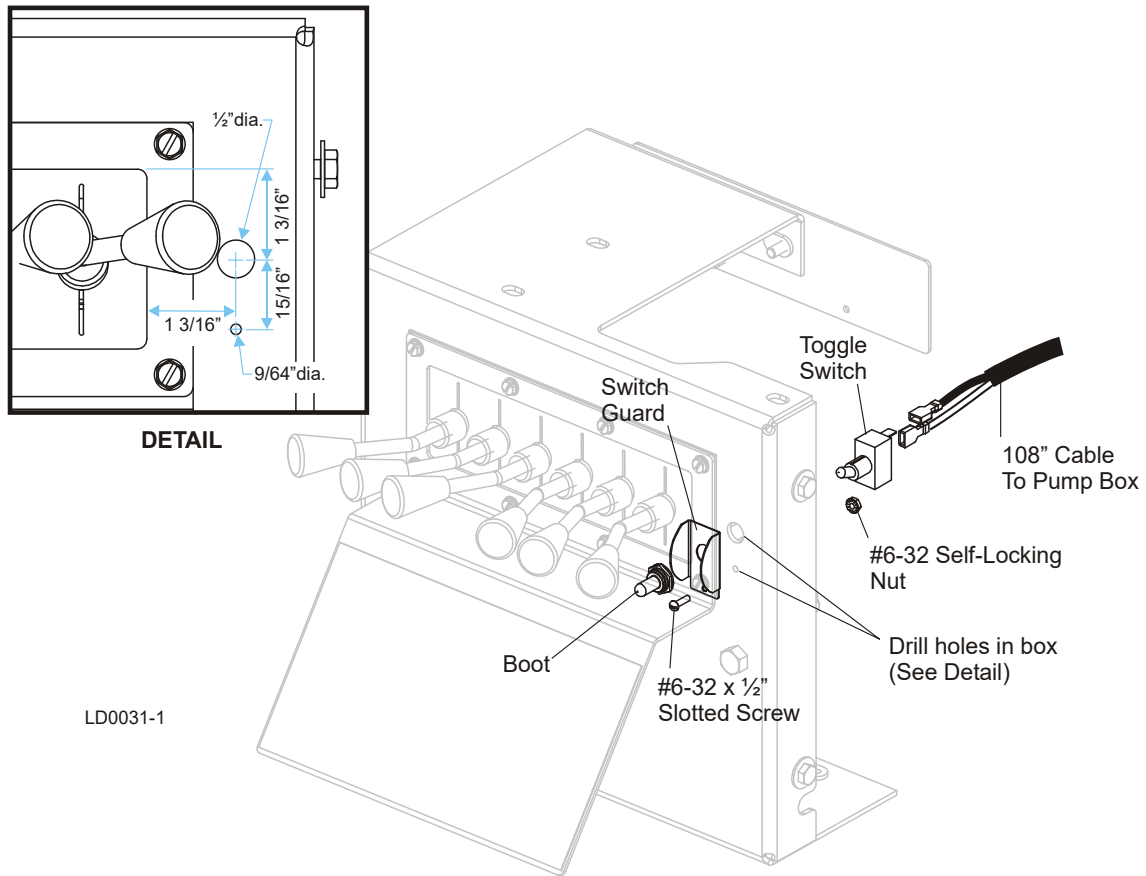


FIG. 2-30

Remove the hydraulic pump box cover and connect the black wire of the 108" cable to the black wire of the 300" cable. Connect the provided fuse assembly wire to the white wire of the 108" cable. Connect the other end of the fuse assembly to the top terminal of the hydraulic pump solenoid. Connect the white wire of the 300" cable to the solenoid mounting bolt.

See Figure 2-31.

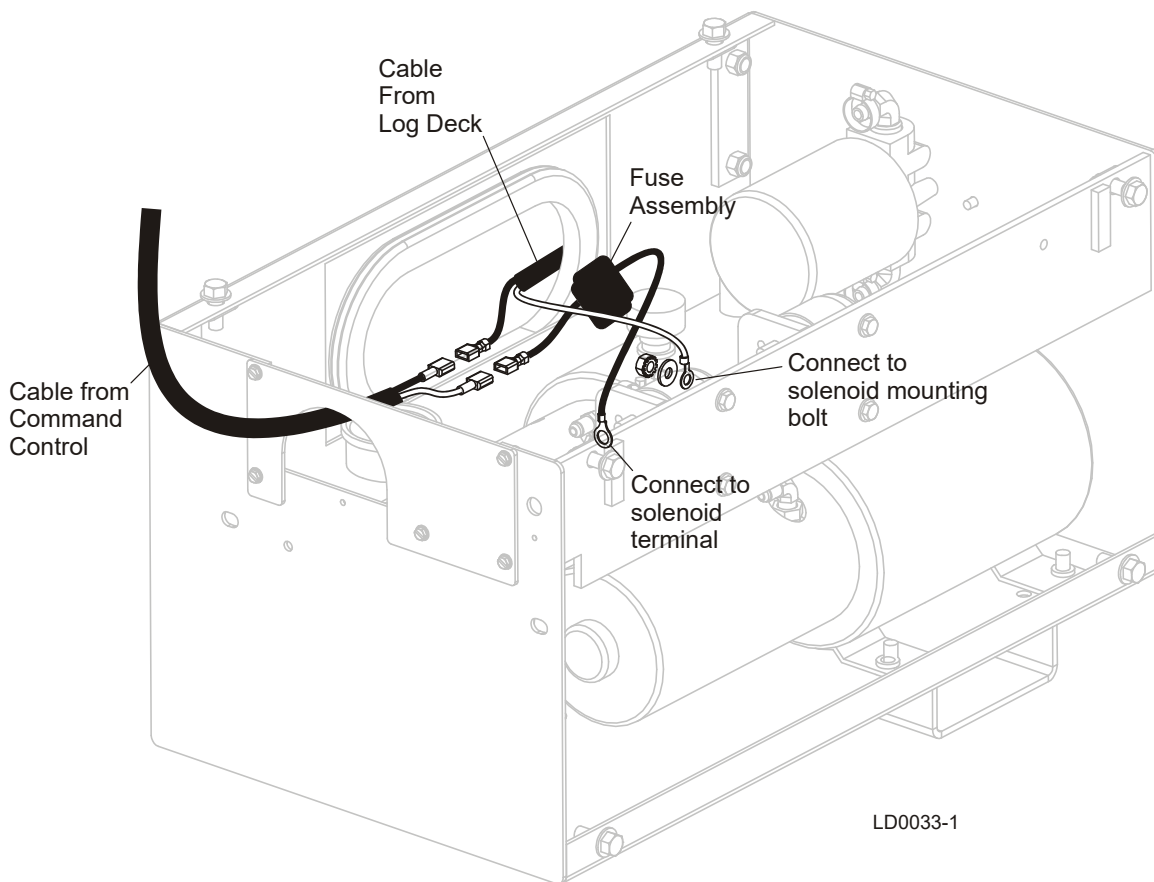


FIG. 2-31

See Figure 2-32. **LT60HD/70HD non-remote AC sawmills prior to Rev. A7.00:** Drill holes in the hydraulic pump box at the dimensions shown. Install the toggle switch, guard and boot and secure with the provided screw and lock nut. Be sure to orient the switch with the spade terminals as shown. Connect the provided fuse assembly to the top terminal of the toggle switch. Cut the ring terminal from the fuse assembly. Locate the blue wire (#7) coming from the top terminal of the hydraulic contact strip and cut it in half. Insert the two ends of the blue wire and the end of the fuse assembly wire into one of the provided three-wire connectors. Be sure to push the wires all the way to the back of the connector. Use pliers to squeeze the top of the connector down, being sure the top seats

2

Operation & Setup Electrical Installation

firmly into the connector body. Connect the black wire of the log deck cable to the side terminal of the toggle switch. Cut the ring terminal from the white log deck cable wire. Locate the blue wire (#3) coming from the bottom terminal of the hydraulic contact strip and cut it in half. Use the remaining three-wire connector to connect the two ends of the blue wire and the white log deck cable wire.

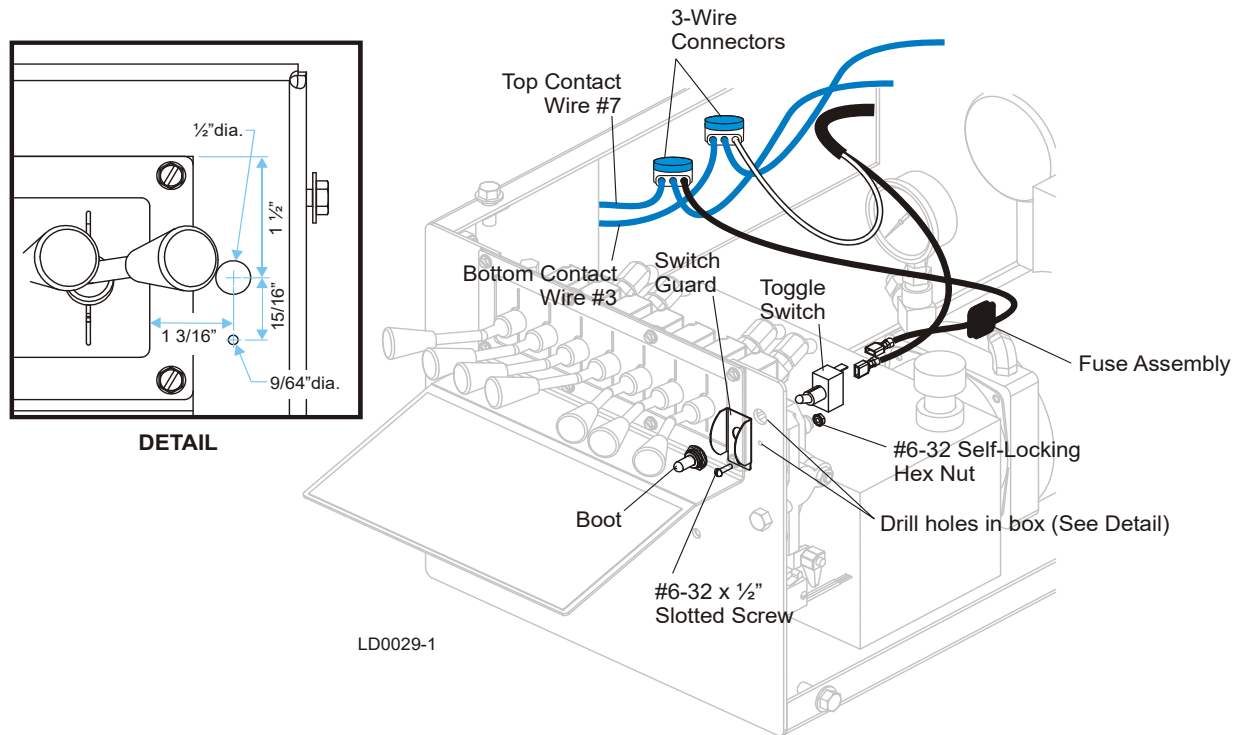


FIG. 2-32

5. Add hydraulic fluid to the reservoir tank to replace any lost fluid during installation.
6. Replace the hydraulic pump box cover.
7. Use the provided wire ties to bundle hydraulic hoses and secure the electrical cables to the sawmill frame as necessary.

2.7 Log Deck Installation (LT70 Remote, LT70 DCS & LT70 Super)

Prepare a firm, level area where the Log Infeed Deck can be anchored. A cement pad with 1/2" diameter anchor bolts is recommended.

2.7.1 Log Loader Removal

1. If applicable, remove the hydraulic log loader. Remove the two pivot pins securing the log loader assembly to the sawmill frame.
2. Disconnect the hydraulic hoses from the log loader cylinder fittings. Plug the hoses to prevent hydraulic oil leakage. Label the hoses so they are easy to identify when you reconnect to the Log Infeed Deck (example Top/Left, Bottom/Left, etc...).

See Figure 2-33.

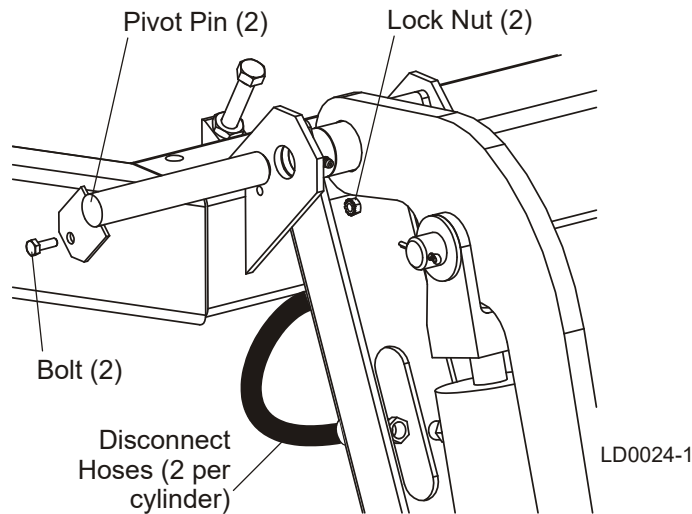


FIG. 2-33

3. Remove the log loader assembly from the sawmill. Use the provided cap fittings to cap the loader cylinders during storage. Store the log loader assembly away from the sawmill.

2.7.2 Log Deck Installation (Sawmills With Trailer Option) (Rev B1.00+)

The sawmill trailer must be removed in order to attach the log deck loader.

1. Move the sawhead to the forward position on your mill.
2. If not already accomplished, lower the outriggers.
3. Follow the brake wire (blue) from the frame to the axle. **At the connection** between the mill and the brake (where the blue wire meets the white wire) cut the blue wire. Secure the wire to prevent possible retreat into the frame tube. It may be reused in the future.

See Figure 2-34.

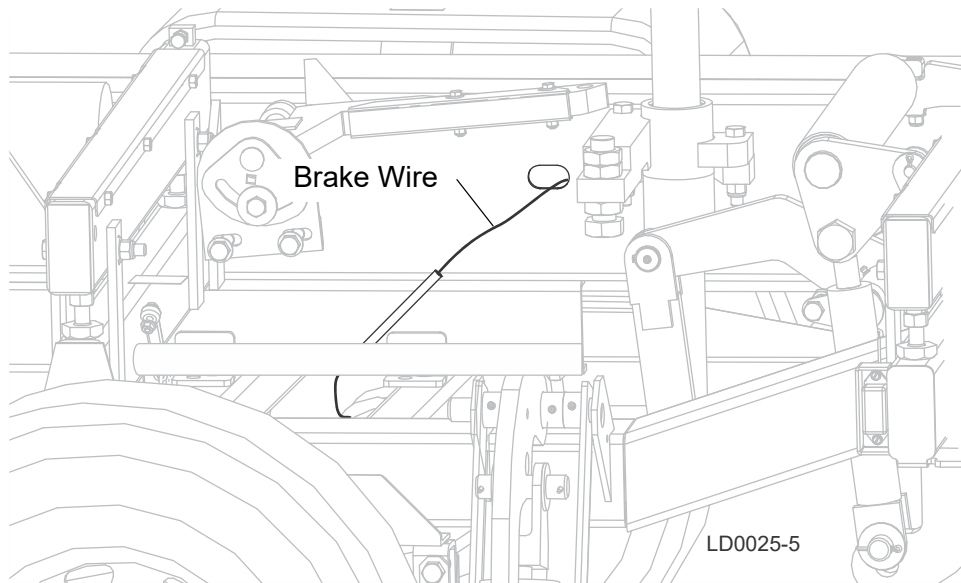


FIG. 2-34

4. Loosen the lug nuts on both wheels.
5. Position the outriggers so that the front end of the sawmill frame is lower and the rear outriggers raise the weight off of the trailer tires.
6. Remove the wheels.
7. Position a support (a floor jack is recommended) under the axle before unfastening the bolts.

8. Unfasten the four axle bolts and lower the axle.

9. Slide the axle out from under the mill.

NOTE: The axle is heavy and requires two people to remove.

10. Continue with Section 2.7.4 Log Deck Installation (Sawmills Without Trailer Option).

2

Operation & Setup

Log Deck Installation (Sawmills With Trailer Option) (Rev A1.00 - A2.03)

2.7.3 Log Deck Installation (Sawmills With Trailer Option) (Rev A1.00 - A2.03)

1. Place the log deck loader stop in position close to the sawmill frame, but not touching the trailer tire. Orient the loader stop so the mounting brackets face away from the sawmill. Center the loader stop with the sawmill loading arm brackets.

See Figure 2-35.

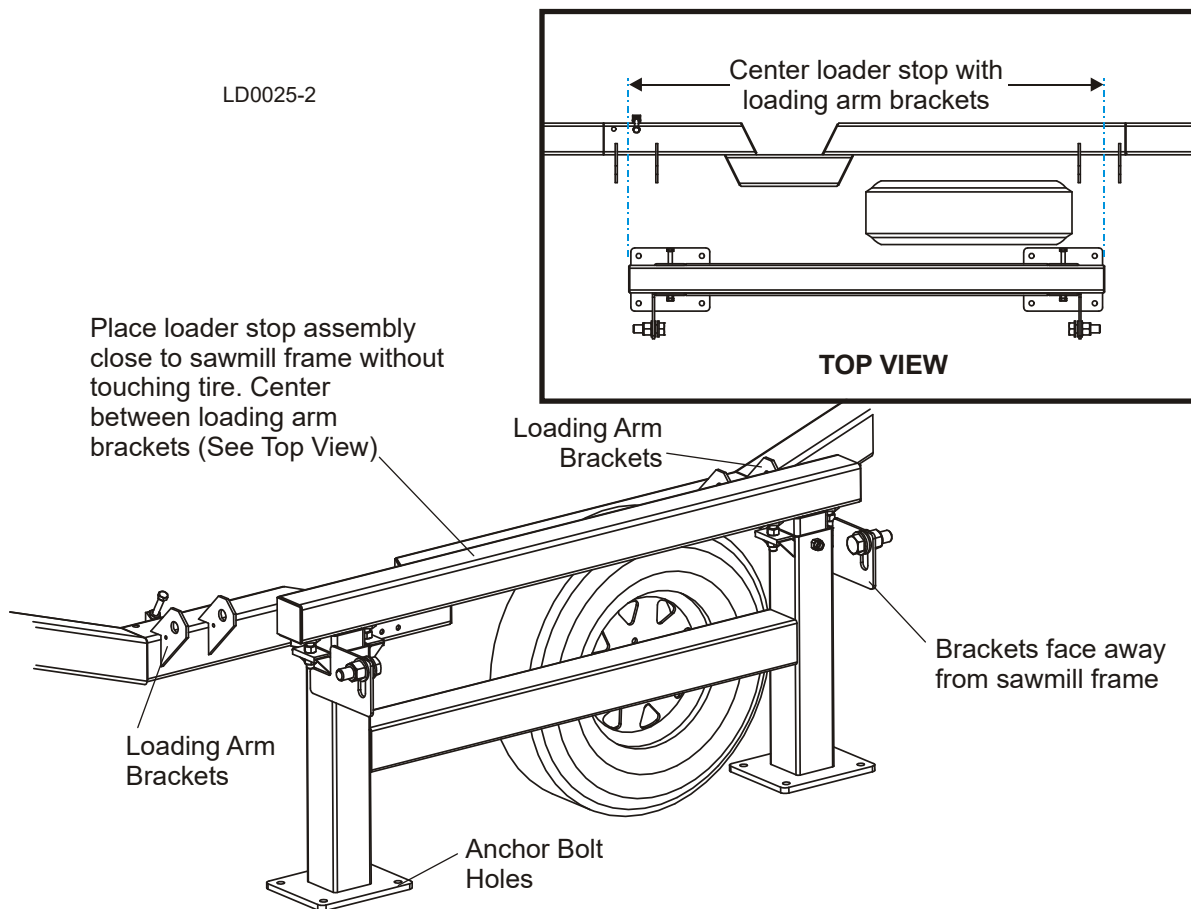


FIG. 2-35

2. Use 1/2" anchor bolts and nuts at each of the two foot locations to anchor the log deck loader stop to the floor.
3. Install the provided adaptor brackets to the end of the log deck. The brackets mount underneath the inner drive bearings. Remove the bearing nuts and loosen the bearing set screws to slide the bearing away from the frame.

See Figure 2-36.

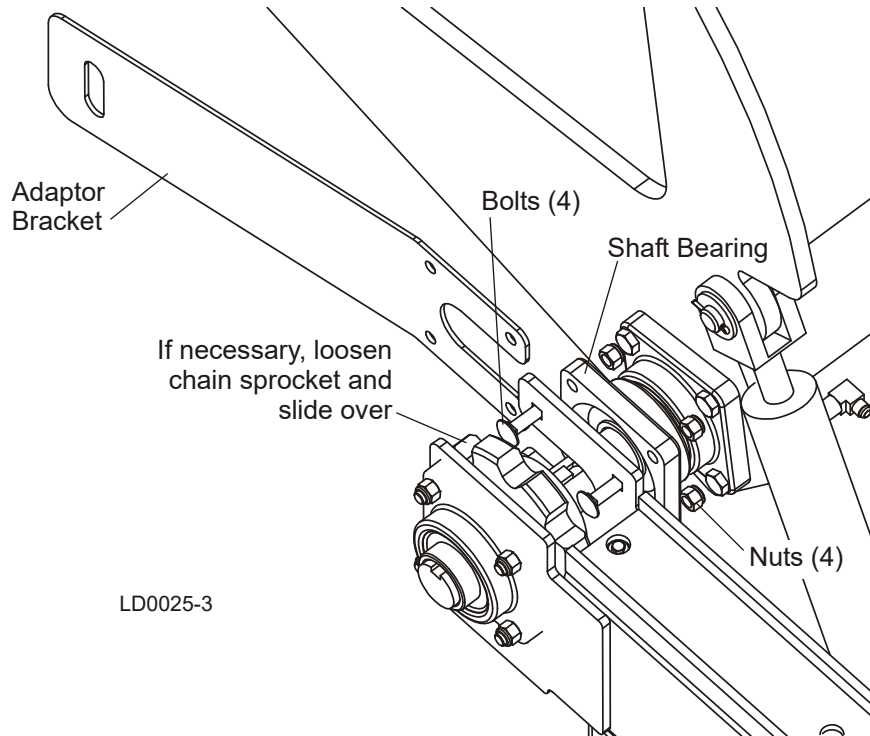


FIG. 2-36 REV. A1.00 - A2.03

4. Slide the bearing bolts out enough so you can slide the adaptor bracket between the bearing and frame.

NOTE: You may have to move the log deck chain sprocket to allow the bearing bolts to move far enough. Loosen the sprocket set screw and slide the sprocket over. If the log deck chain is too tight to allow the sprocket to move, break the chain apart.

5. Slide the bearing bolts through the adaptor plate and the shaft bearing and secure the bearing with the nuts. Tighten the shaft bearing set screws. If applicable, reassemble the log deck chain around the sprocket. Slide the sprocket back to its original position and tighten the set screw.
6. Repeat for the other adaptor bracket at the other side of the log deck.
7. Position the log deck frame so the holes in the adaptor brackets align with the holes in the loader stop brackets. Secure the log deck to the loader stop with the provided bolts, flat washers and lock nuts.

2 Operation & Setup

Log Deck Installation (Sawmills With Trailer Option) (Rev A1.00 - A2.03)

See Figure 2-37.

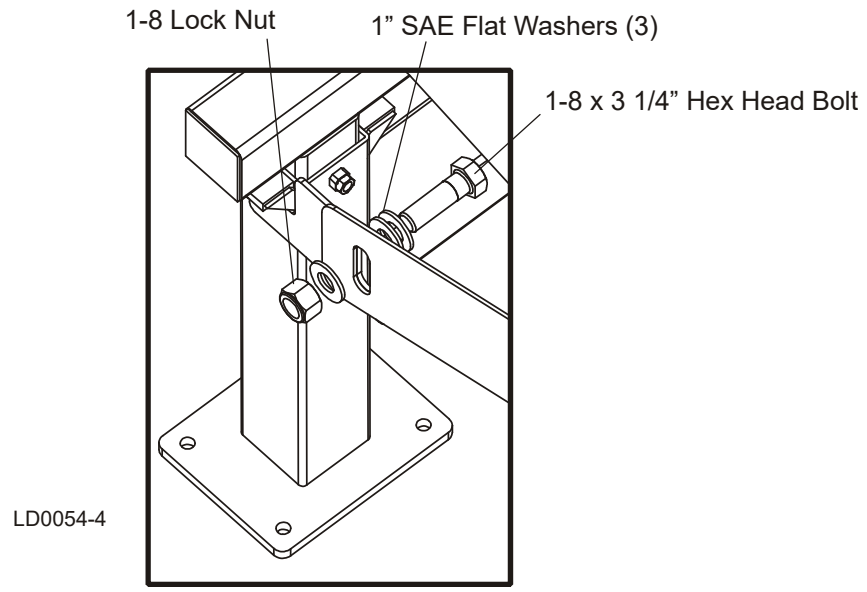
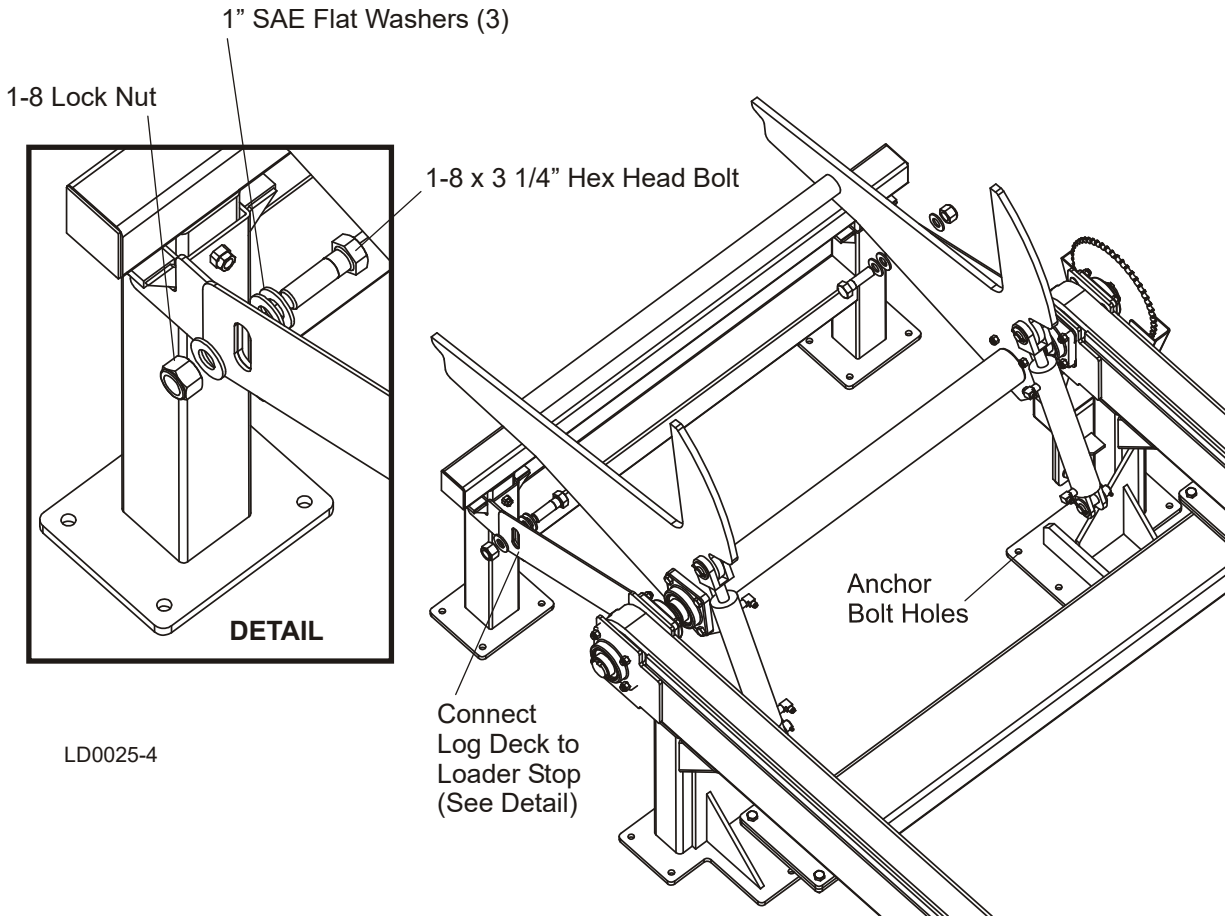


FIG. 2-37 REV. B1.00+



LD0025-4

FIG. 2-37 REV. A1.00 - A2.03

8. Use 1/2" anchor bolts and nuts at each of the foot locations to anchor the log deck frame to the floor.



WARNING! Securely fasten the feet of the Log Infeed Deck to the floor before operating the Log Infeed Deck. Failure to do so may result in serious injury or death.

2

Operation & Setup

Log Deck Installation (Sawmills Without Trailer Option)

2.7.4 Log Deck Installation (Sawmills Without Trailer Option)

1. Place the log deck loader stop in position close to the sawmill frame and secure to the loader brackets with the provided bolts, flat washers and nuts. Make sure the loader stop is level and both feet touch the floor before securing.

See Figure 2-38.

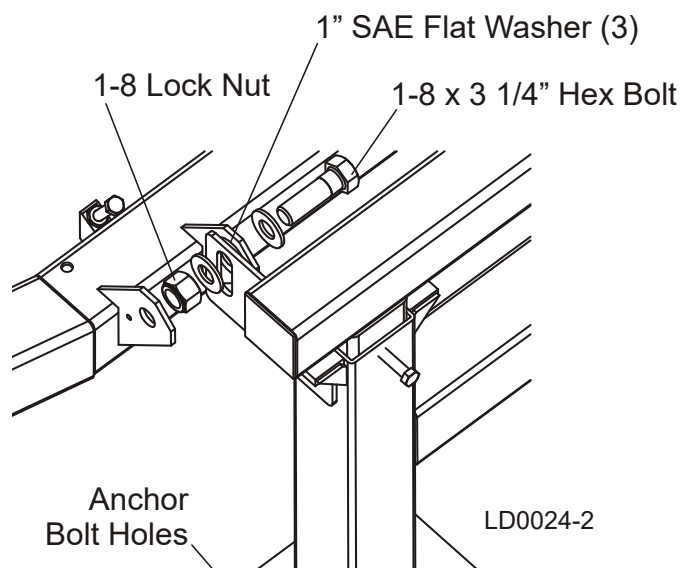


FIG. 2-38

2. Use 1/2" anchor bolts and nuts at each of the two foot locations to anchor the log deck loader stop to the floor.

See Figure 2-39.

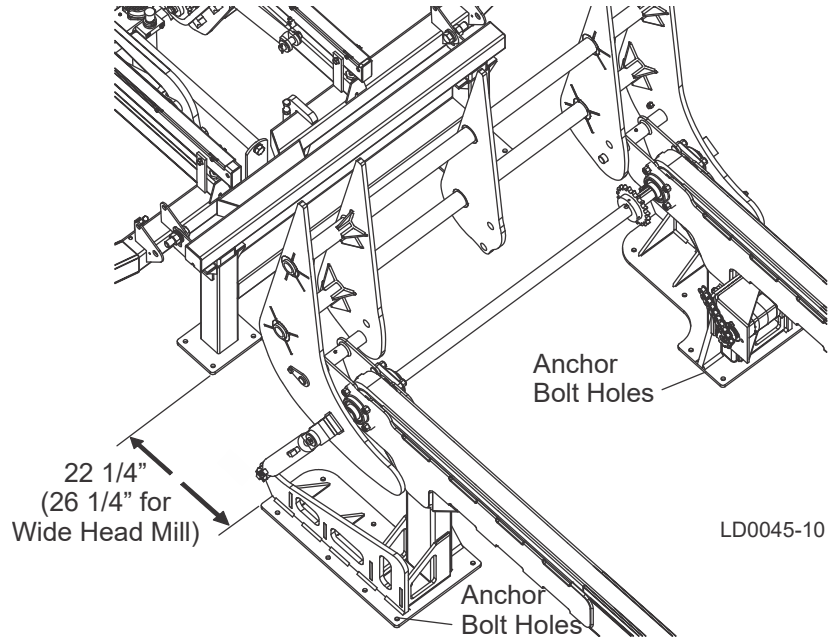


FIG. 2-39 REV. B2.00+

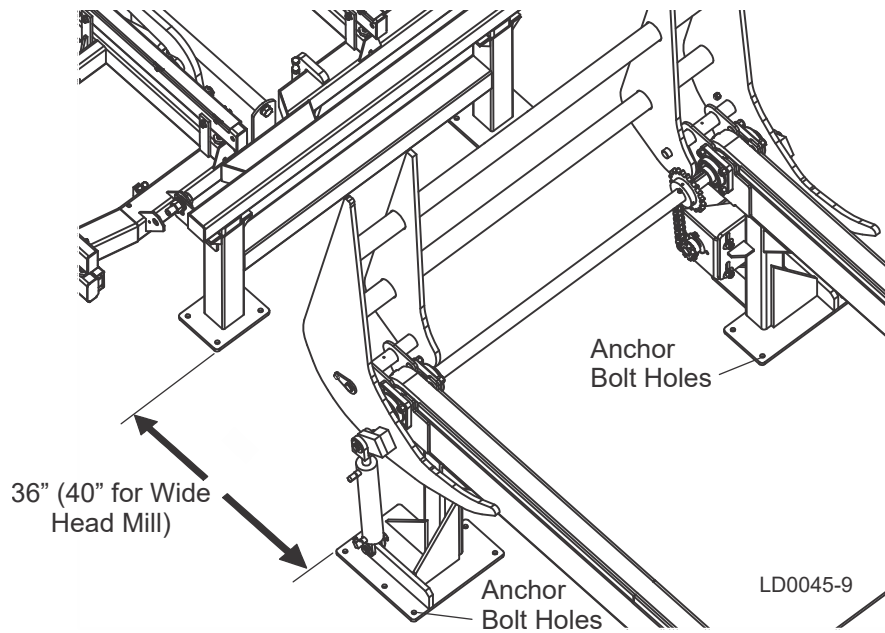


FIG. 2-39 REV. B1.00 - B1.03

2

Operation & Setup

Log Deck Installation (Sawmills Without Trailer Option)

3. **Rev. A1.00 - A2.03:** Position the log deck frame approximately 29 7/16" (750mm) away from the loader stop. The loader arms should rest on the loader stop when lowered.

See Figure 2-40.

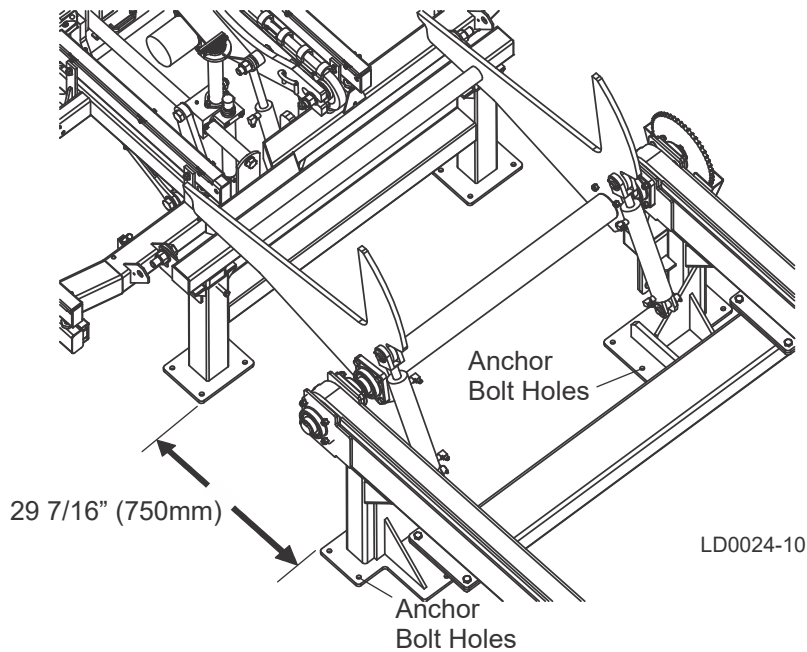


FIG. 2-40 REV. A1.00 - A2.03

4. Use 1/2" anchor bolts and nuts at each of the foot locations to anchor the log deck frame to the floor.



WARNING! Securely fasten the feet of the Log Infeed Deck to the floor before operating the Log Infeed Deck. Failure to do so may result in serious injury or death.

2.7.5 Hydraulic Installation

1. Connect the provided 4' extension hoses to the log deck cylinders. Use the provided union fittings to connect the log deck cylinder hoses to the sawmill loader hoses. **NOTE:** The cylinder hose connections will be identical to how they were connected to the log loader cylinders (Top/Left, Bottom/Left, etc...).

See Figure 2-41.

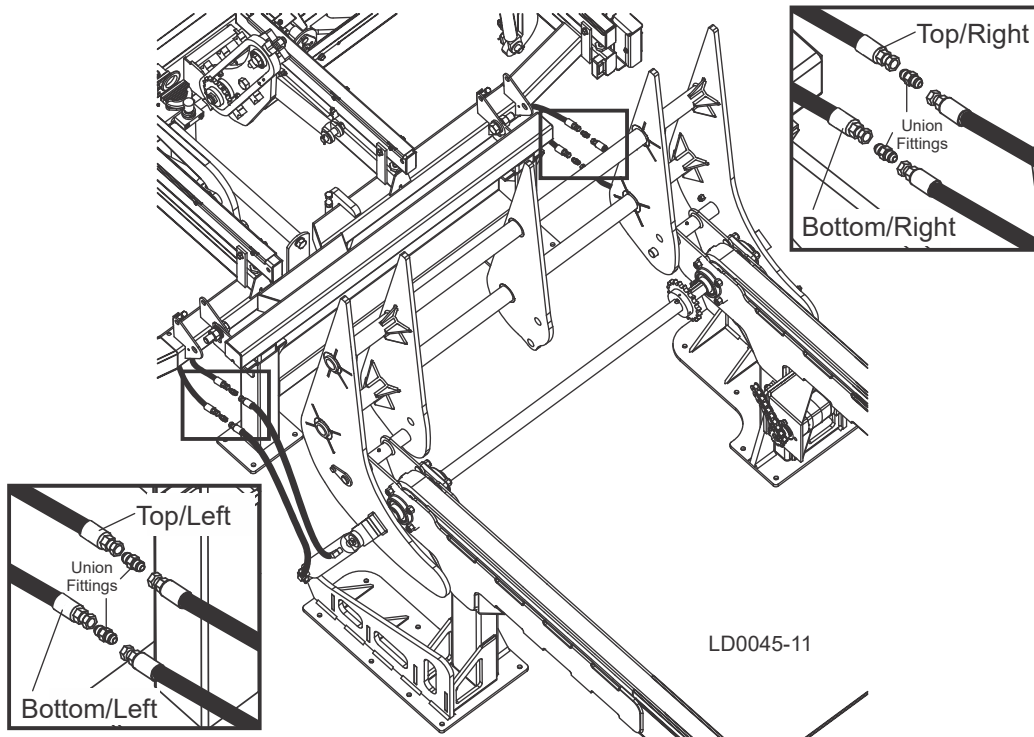


FIG. 2-41 REV. B2.00+

2

Operation & Setup Hydraulic Installation

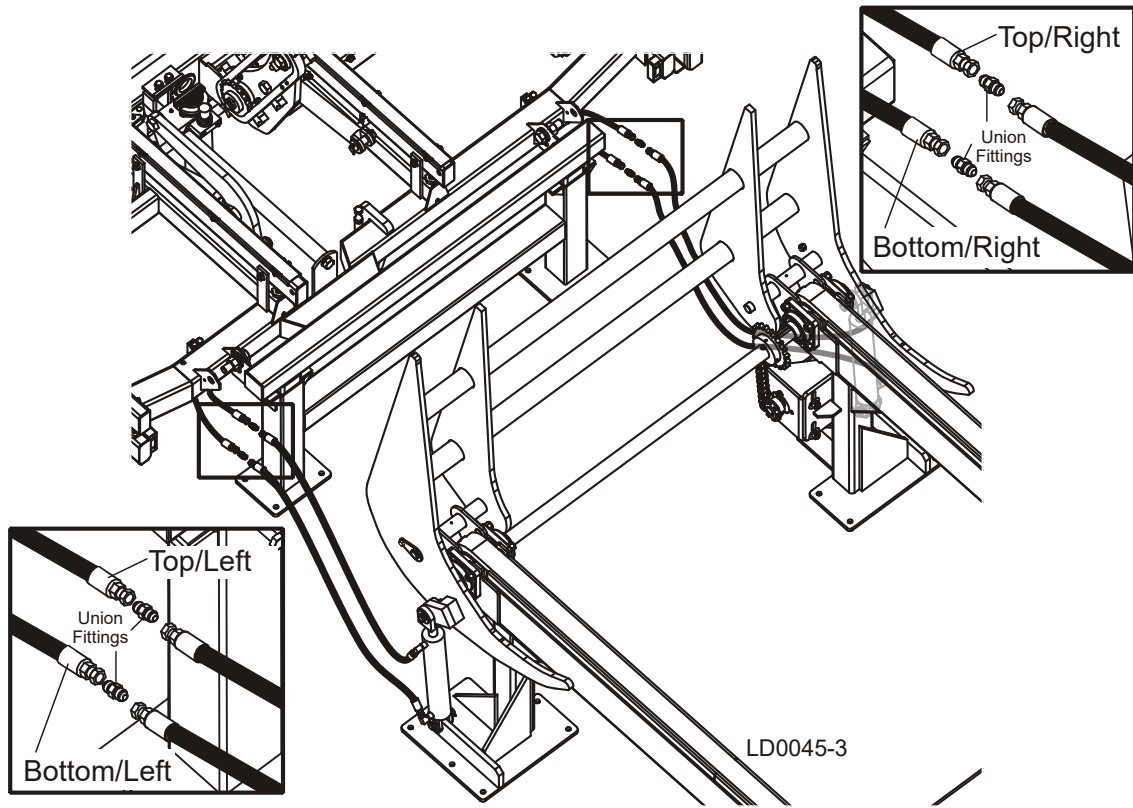


FIG. 2-41 REV. B1.00 - B1.03

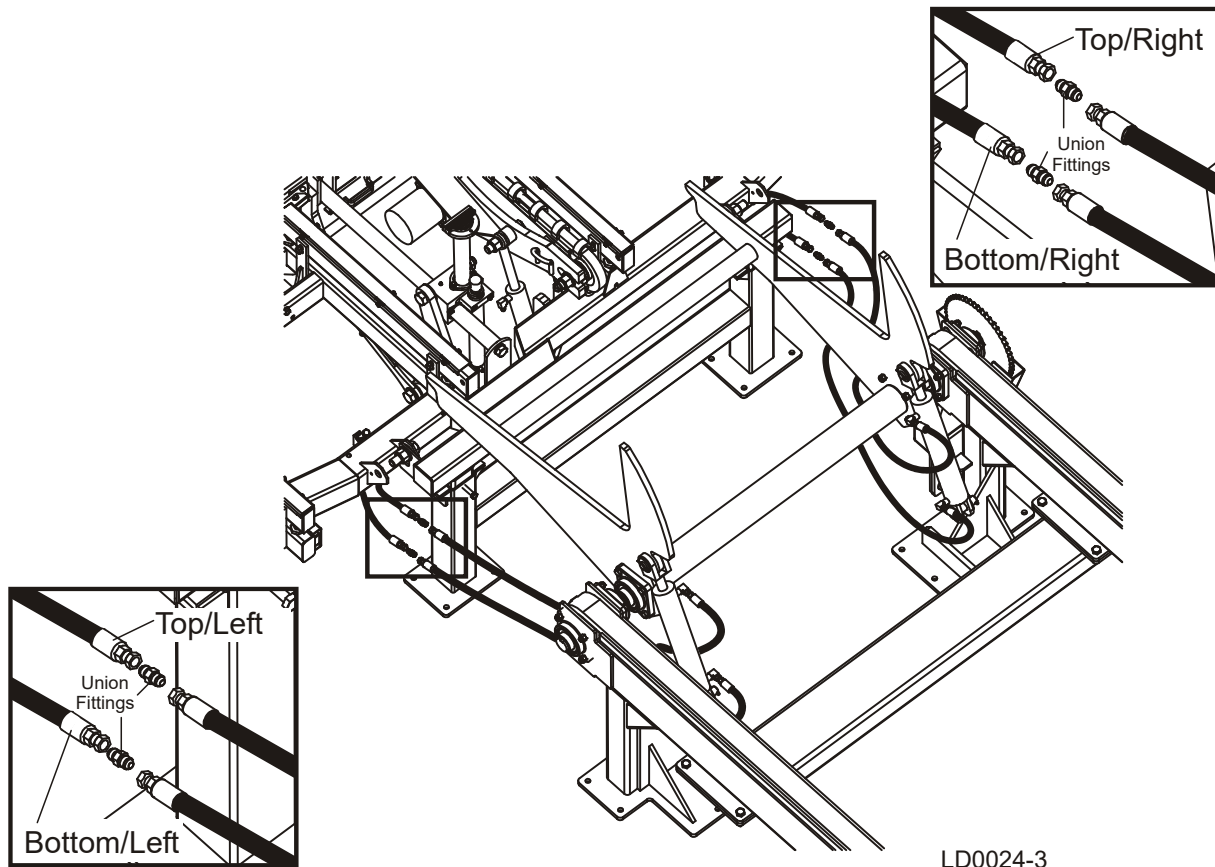


FIG. 2-41 REV. A1.00 - A2.03

- 2. LT70HD SUPER Rev. A1.00+ (LD70-SUPERKIT):** Remove the cover from the hydraulic pump box. Remove the two plugs from the holes in the side of the pump box near the valve assembly. Install the provided valve assembly to the end of the valve manifold using the three screws provided. Be sure the provided O-rings are positioned in the two port holes.

See Figure 2-42.

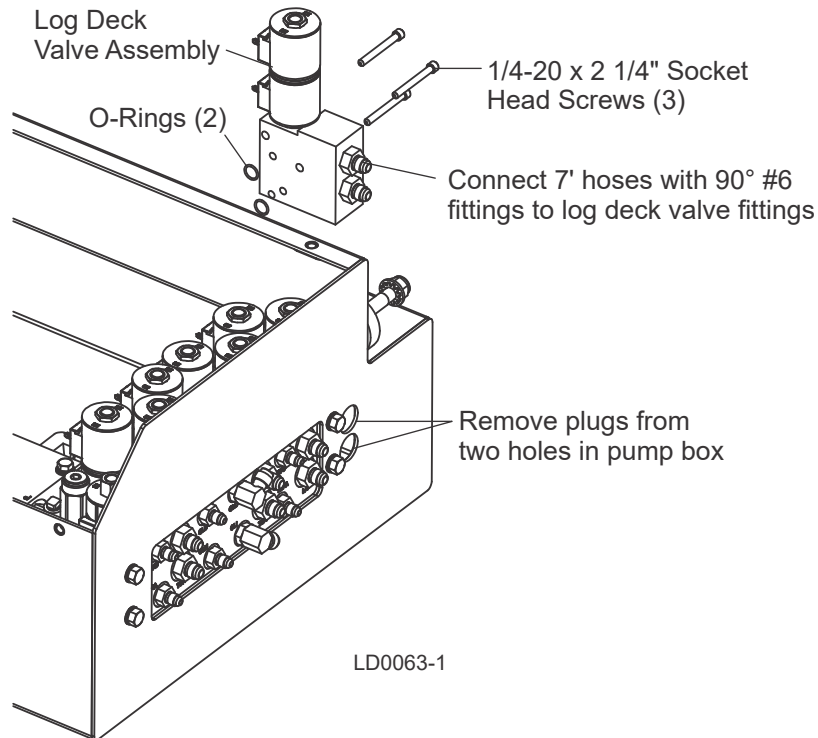


FIG. 2-42 LT70HD SUPER EQUIPPED WITH 7-PORT EXPANDABLE VALVE

Connect the ends of the two 7' hydraulic hoses with 90° #6 fittings to each fitting on the installed valve. Route the hoses to the hydraulic drive motor on the log deck.

- 3. LT70HD DCS Rev. B4.02+ (LD70-DCSKIT):** Remove the cover from the hydraulic pump box. Remove the two plugs from the holes in the side of the pump box near the valve assembly. Install the provided valve assembly to the end of the valve manifold using the three screws provided. Be sure the provided O-rings are positioned in the two port holes.

See Figure 2-43.

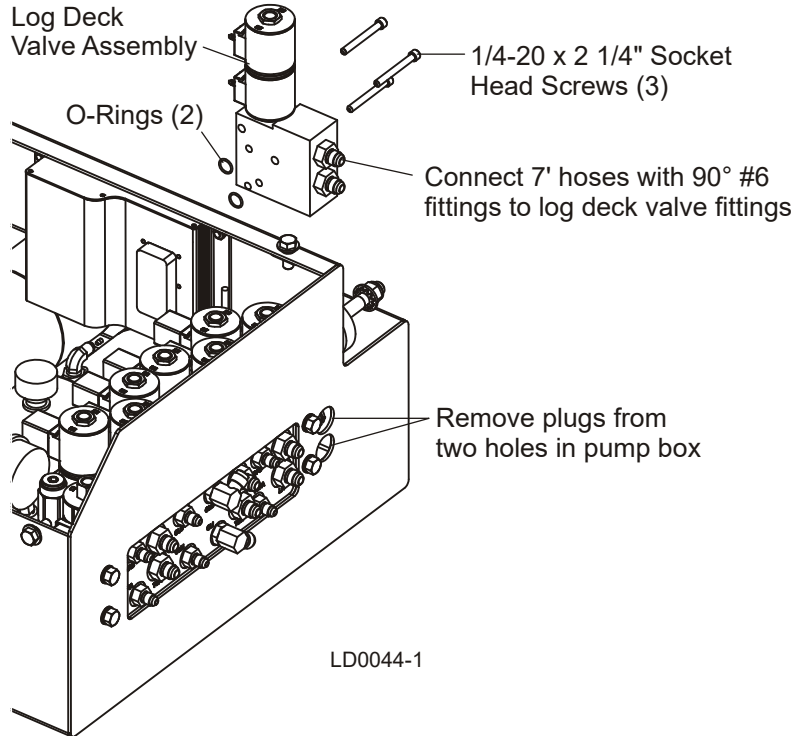


FIG. 2-43 LT70HD DCS EQUIPPED WITH 7-PORT EXPANDABLE VALVE

Connect the ends of the two 7' hydraulic hoses with 90° #6 fittings to each fitting on the installed valve. Route the hoses to the hydraulic drive motor on the log deck.

- 4. LT70HD-R Rev. A6.00 - B4.04 (LD70-RKIT2):** Remove the cover from the hydraulic pump box. Remove the two plugs from the holes in the side of the pump box near the valve assembly. Install the provided valve assembly to the end of the valve manifold using the three screws provided. Be sure the provided O-rings are positioned in the two port holes.

See Figure 2-44.

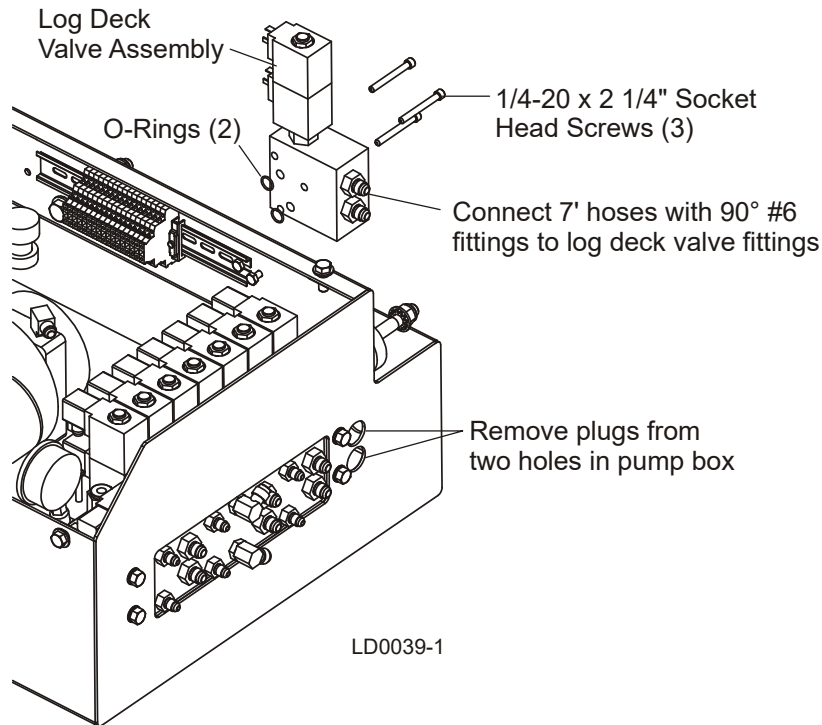


FIG. 2-44 LT70HD-R EQUIPPED WITH 7-PORT EXPANDABLE VALVE

Connect the ends of the two 7' hydraulic hoses with 90° #6 fittings to each fitting on the installed valve. Route the hoses to the hydraulic drive motor on the log deck.

- 5. LT70HD-R Rev. A1.00 - A5.03 (LD70-RKIT):** Remove the cover from the hydraulic pump box. Locate the plug fittings at the end of the valve manifold (one top, two rear). Remove the plug fittings and install the provided spool valve to the top hole in the valve manifold. Remove the top spool valve nut and install the two actuator coils to the valve. Replace the top valve nut.

See Figure 2-45.

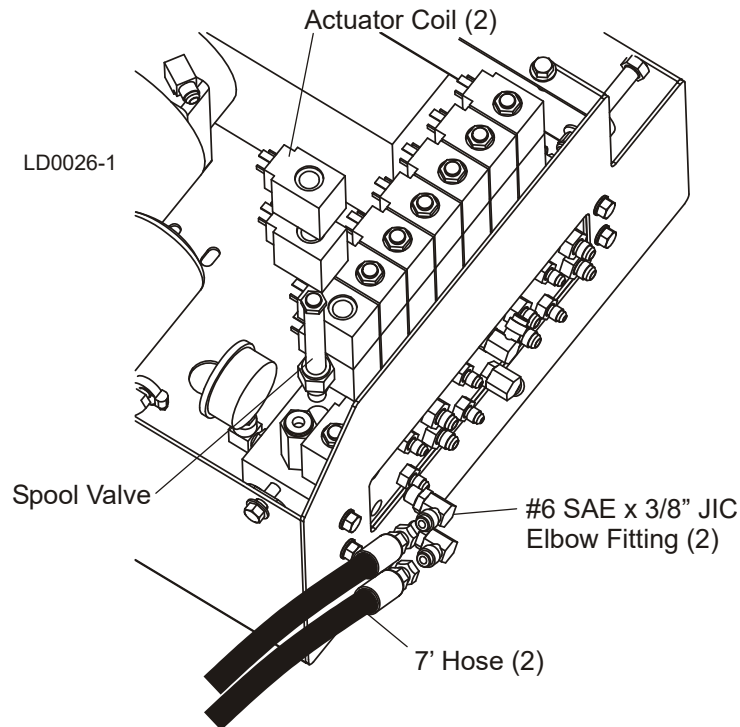


FIG. 2-45 LT70HD-R EQUIPPED WITH 8-PORT VALVE

Install the two provided elbow fittings to the rear of the valve manifold. Connect the two 7' hydraulic hoses to each fitting. Route the hoses to the hydraulic drive motor on the log deck.

6. Remove the two plug fittings from the hydraulic drive motor and install the two provided fittings. These fittings are pre-installed after 1/05.

See Figure 2-46.

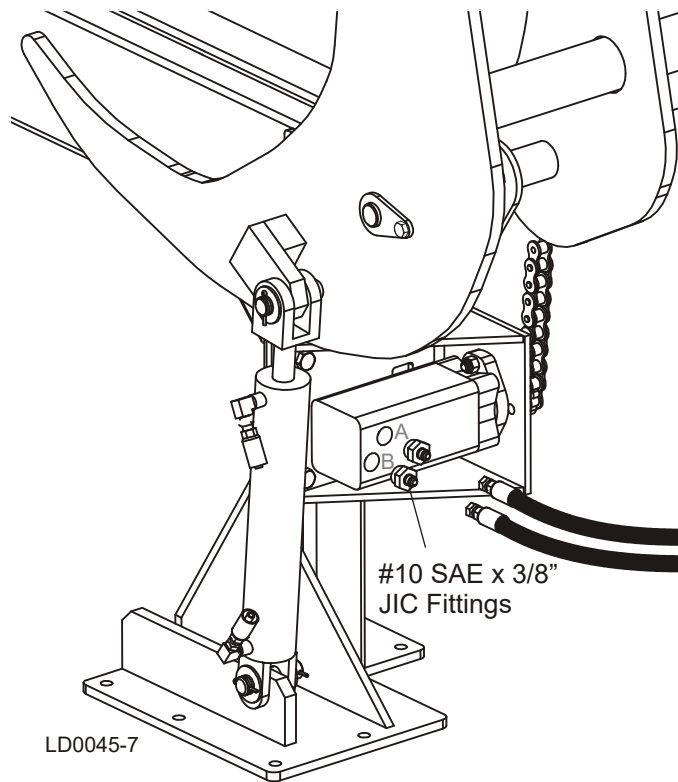


FIG. 2-46 REV. B1.00+

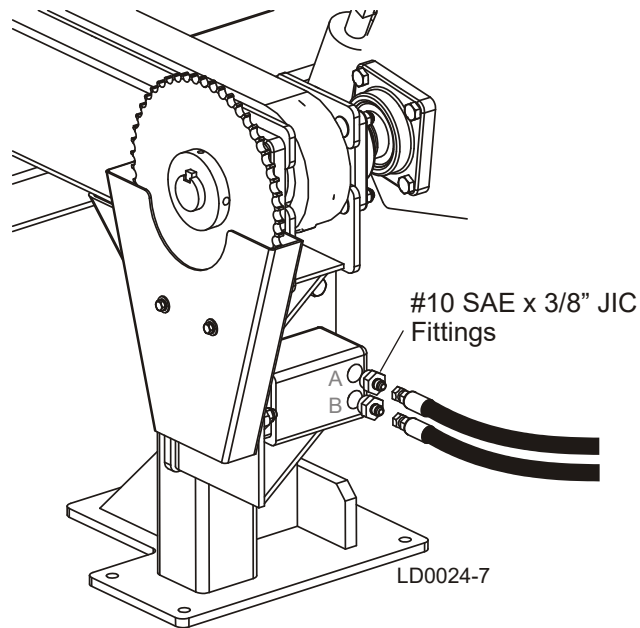


FIG. 2-46 REV. A1.00 - A2.03

7. Connect the hose from top port 'A' of the valve manifold to port 'A' on the hydraulic drive motor. Connect the hose from bottom port 'B' of the valve manifold to port 'B' on the hydraulic drive motor.
8. Leave the hydraulic pump box cover off until electrical installation is complete.

2.7.6 Electrical Installation



DANGER! Make sure all electrical installation, service and/or maintenance work is performed by a qualified electrician and is in accordance with applicable electrical codes.



WARNING! Consider all electrical circuits energized and dangerous.

WARNING! Never assume or take the word of another person that the power is off; check it out and lock it out.

WARNING! Do not wear rings, watches, or other jewelry while working around an open electrical circuit.

WARNING! Before performing service near moving parts such as blades, pulleys, motors, belts and chains, make sure the unit is not in use. If the unit is operated and moving parts activated, serious injury may result.

1. Disconnect the power from the machine. Lock and tag out the machine prior to performing this procedure.
2. **LT70HD Super Only:** At the hydraulic pump box, install the provided log deck valve cable with two coil plugs to the newly installed actuator coils. Connect the end coil plug to the bottom log deck coil. Connect the middle coil plug to the top log deck coil.

See Figure 2-47.

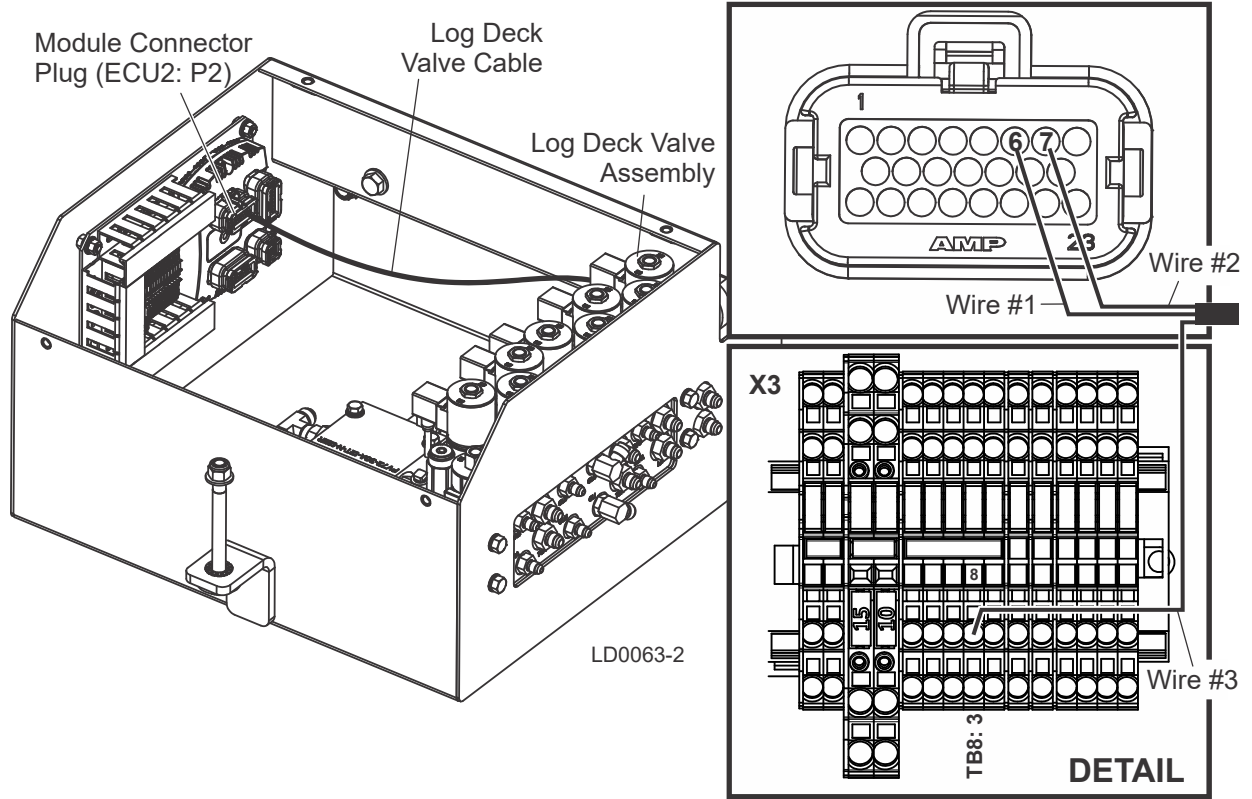


FIG. 2-47 LT70HD SUPER ONLY

See Figure 2-48. Use a small flat head screwdriver to pry up the connector retainer (P2) from the hydraulic bed control module (ECU2). Pull the connector out of the socket.

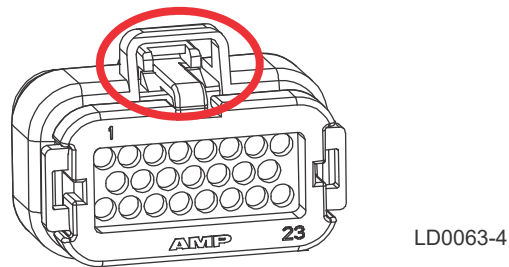


FIG. 2-48 LT70HD DCS ONLY

Once the connector is removed from the control module (ECU2), the retainer needs to be opened to be able to remove and install the wires.

See **Figure 2-49**. Use a small flat head screwdriver to pry up the red retainer in the locations shown below (A). Do not remove the red retainer completely from the connector. The retainer should still be attached by the locking latches on each side as shown below (B).

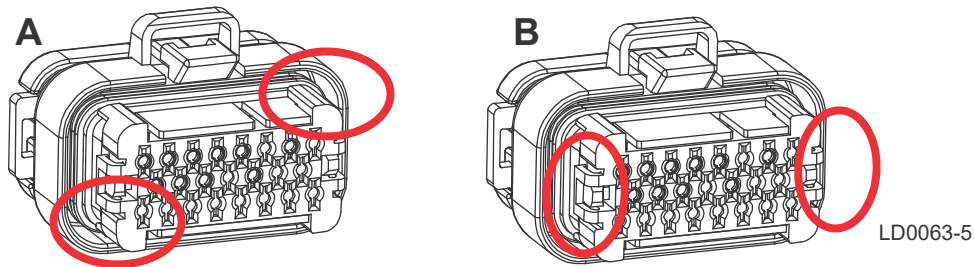


FIG. 2-49 LT70HD DCS ONLY

Connect the wires from the log deck valve cable to the connector plug (P2). Connect the wire #1 from the log deck valve cable to terminal #6 on the connector plug, connect wire #2 to terminal #7 on the connector plug. Press the red retainer on the front of the connector back down until it snaps. Reinstall the connector plug to the hydraulic control module and secure in place.

Connect the wire #3 to terminal block TB8: 3 on the terminal block X3 as shown above.

- 3. LT70HD DCS Only:** At the hydraulic pump box, install the provided log deck valve cable with two coil plugs to the newly installed actuator coils. Connect the end coil plug to the bottom log deck coil. Connect the middle coil plug to the top log deck coil.

See Figure 2-50.

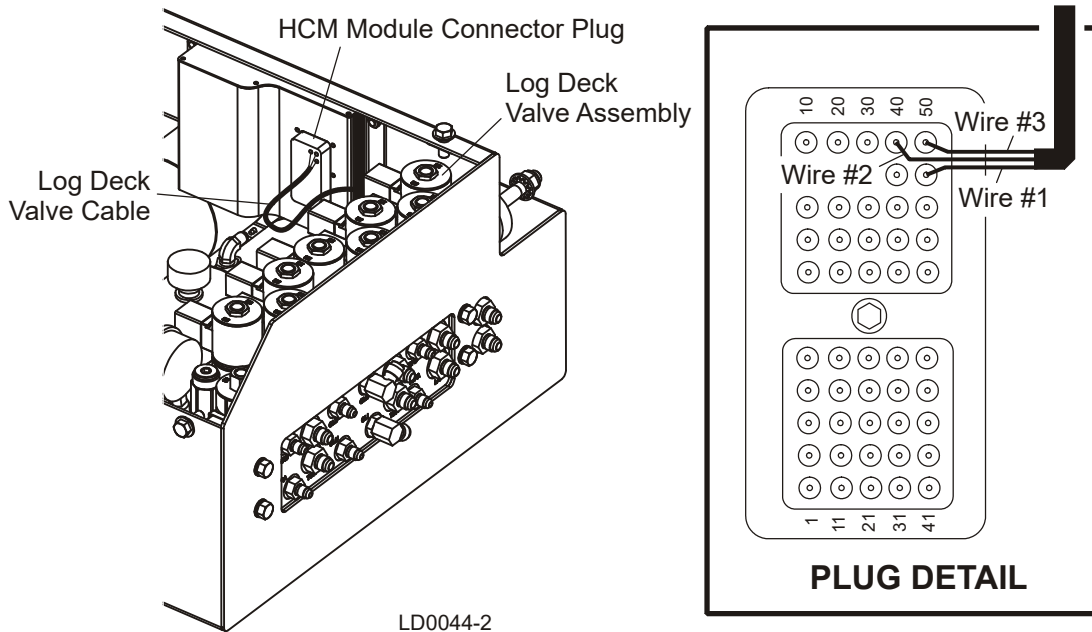


FIG. 2-50 LT70HD DCS ONLY

4. **LT70HD DCS Only:** Use the 5/32" Allen wrench to remove the HCM connector plug from the hydraulic control module. Connect the three wires from the log deck valve cable to the connector plug. Connect wire #1 to terminal #49, connect wire #2 to terminal #40, connect wire #3 to terminal #50. Reinstall the connector plug to the hydraulic control module and secure in place.

5. **LT70HD-R Only:** Remove the front and rear panels from the hydraulic control box. Remove the plug from the hole in the front panel and install the provided joystick switch. Connect the three short jumper wires from the joystick contacts to the existing loader contact. Connect the two long wires to the rear panel plug.

See Figure 2-51.

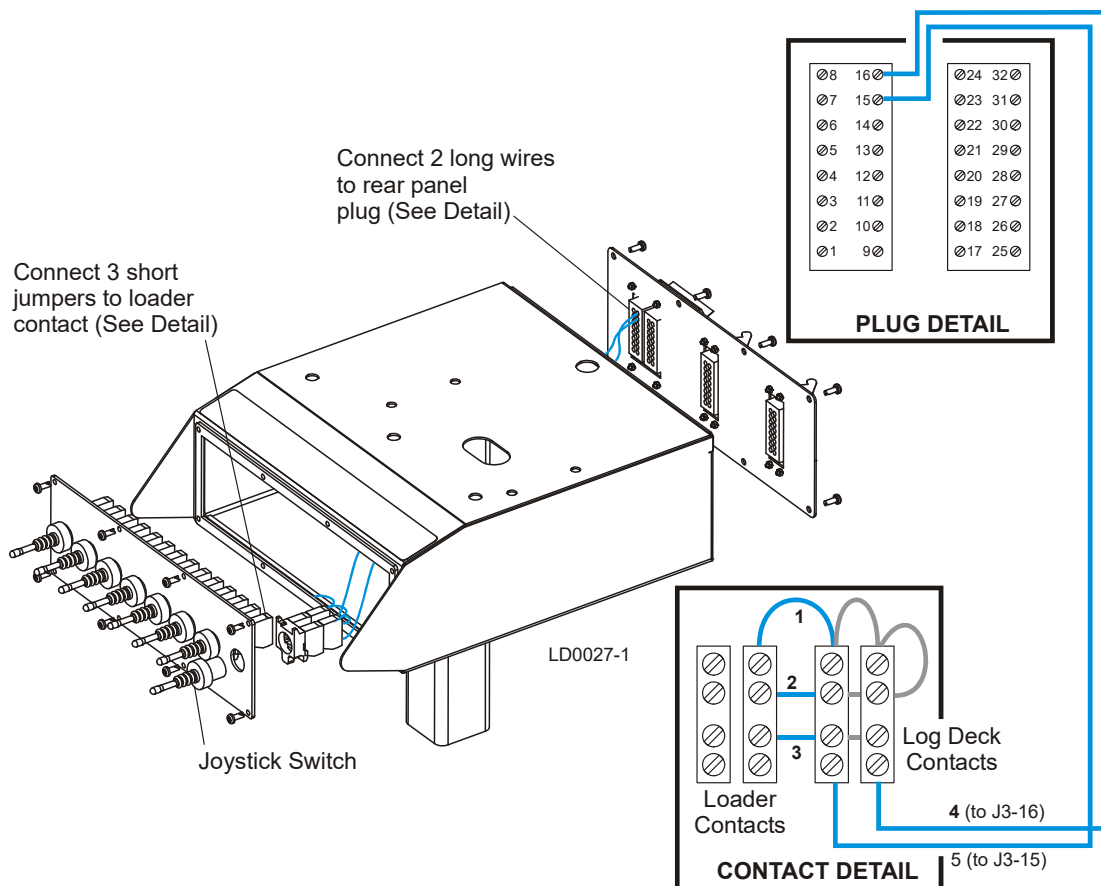


FIG. 2-51 LT70HD-R ONLY

6. **LT70HD-R Only:** Replace the hydraulic control box panels.
7. **LT70HD-R Only:** At the hydraulic pump box, install the two provided coil plugs to the newly installed actuator coils. Connect the plug from the top coil to terminal block #15. Connect the plug from the bottom coil to terminal block #16.
8. Add hydraulic fluid to the reservoir tank to replace any lost fluid during installation.
9. Replace the hydraulic pump box cover.

2.8 Log Deck Installation (LT300 Rev. A1.00 - A8.00)

Prepare a firm, level area where the Log Infeed Deck can be anchored. A cement pad with 1/2" diameter anchor bolts is recommended.

2.8.1 Log Loader Removal

1. If applicable, remove the hydraulic log loader. Remove the two pivot pins securing the log loader assembly to the sawmill frame.

NOTE: After Rev. A7.00, the LT300 no longer includes the pump hoses for the log loader option. Remove the caps from the hydraulic pump valve fittings and connect the provided 19-foot hoses. Route the hoses along the path of the other hoses under the sawmill frame. Be sure to avoid areas where moving parts may damage the hoses.

2. Locate the 'T' fittings where the two loader cylinder hoses connect. Disconnect the hose coming from the pump. Label the hoses so they are easy to identify when you reconnect to the Log Infeed Deck (example Top/Top, Bottom/Bottom). Plug the hoses to prevent fluid leaks. Remove any hose clamps as necessary so the log loader can be removed from the sawmill.

See Figure 2-52.

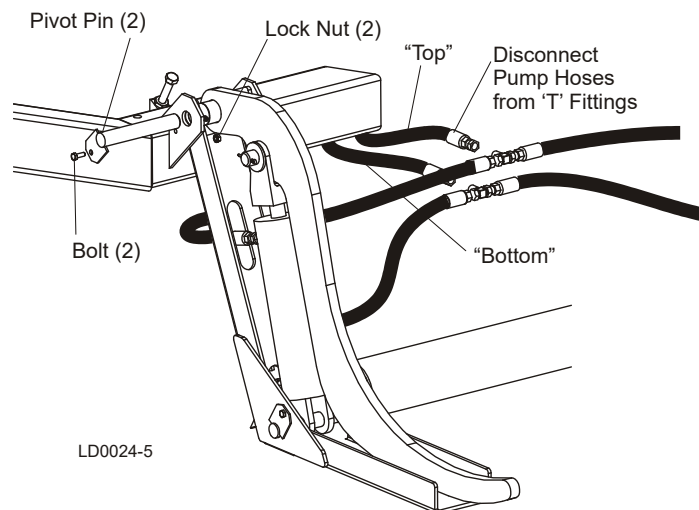


FIG. 2-52

3. Store the log loader assembly away from the sawmill.

2.8.2 Log Deck Installation

1. Place the log deck loader stop in position close to the sawmill frame and secure to the loader brackets with the provided bolts, flat washers and nuts. Make sure the loader stop is level and both feet touch the floor before securing.

See Figure 2-53.

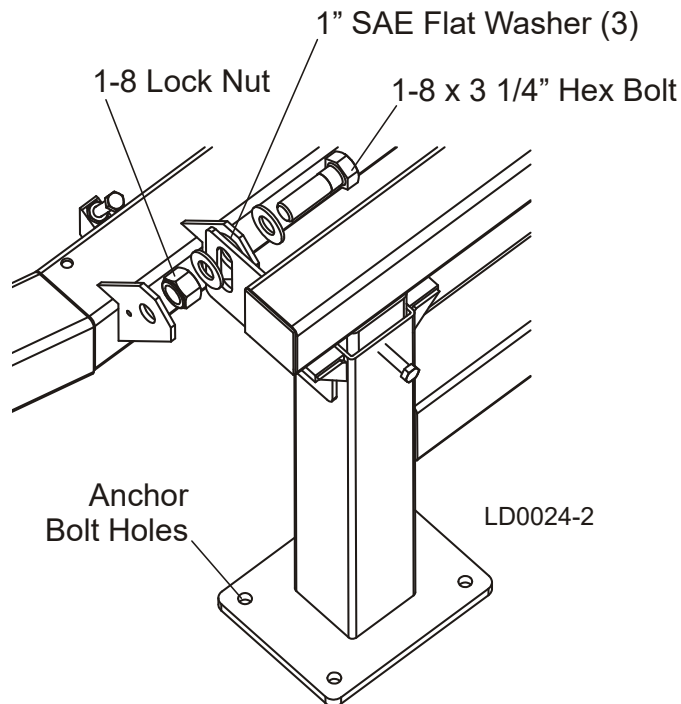


FIG. 2-53

2. Use 1/2" anchor bolts and nuts at each of the two foot locations to anchor the log deck loader stop to the floor.

3. **Rev. B2.00+:** Position the log deck frame approximately 22 1/4" (565mm) away from the loader stop. The loader arms should rest on the loader stop when lowered.

See Figure 2-54.

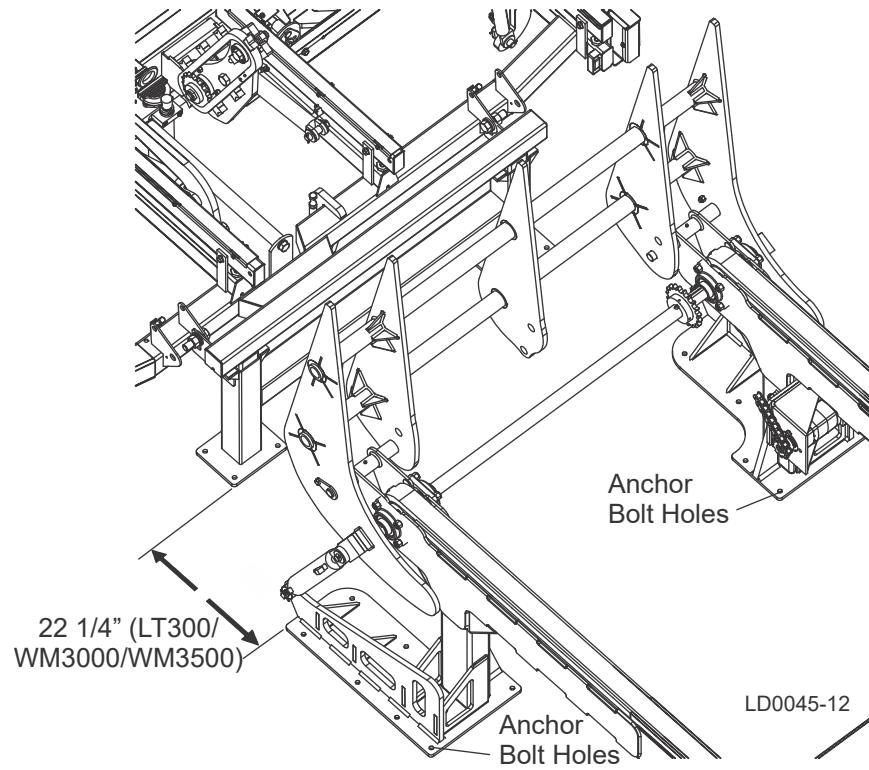


FIG. 2-54 REV. B2.00+

2 Operation & Setup

Log Deck Installation

4. **Rev. B1.00 - B1.03:** Position the log deck frame approximately 36" (915mm) away from the loader stop. The loader arms should rest on the loader stop when lowered.

See Figure 2-55.

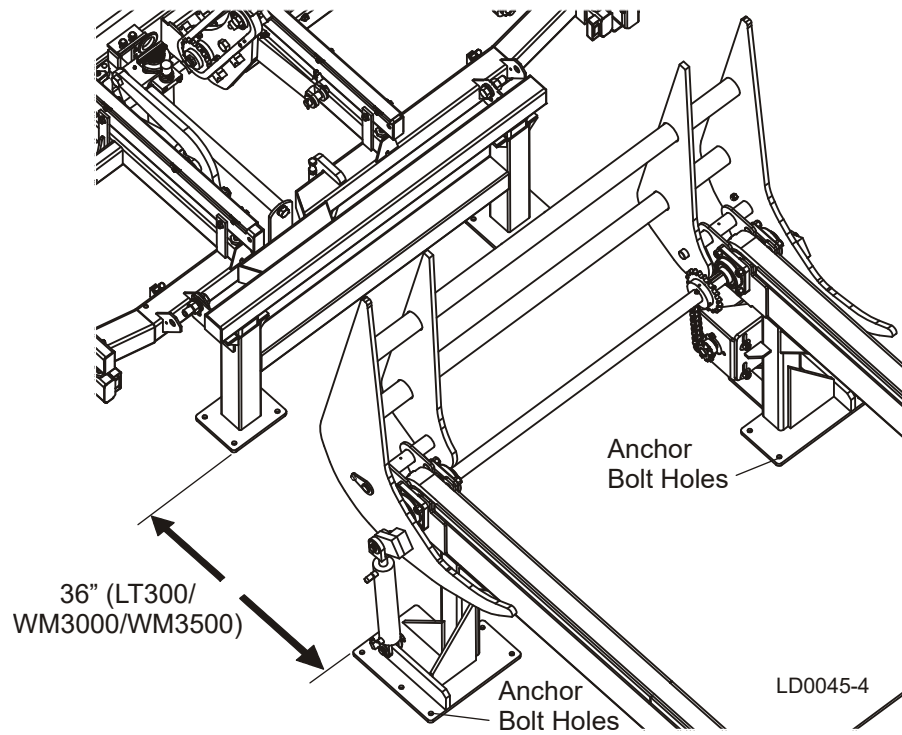


FIG. 2-55 REV. B1.00 - B1.03

5. **Rev. A1.00 - A2.03:** Position the log deck frame approximately 29 7/16" (750mm) away from the loader stop. The loader arms should rest on the loader stop when lowered.

See Figure 2-56.

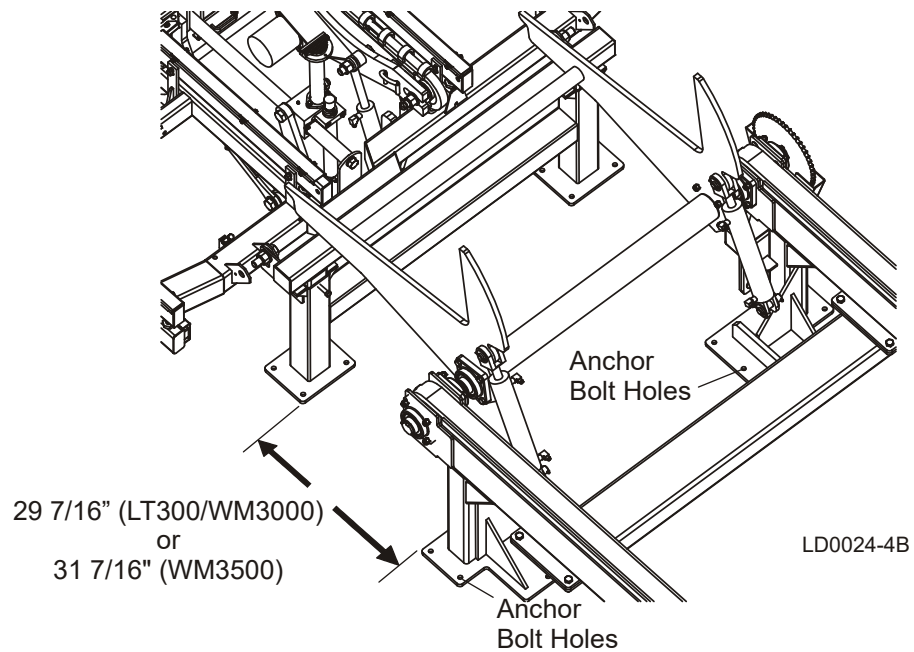


FIG. 2-56 REV. A1.00 - A2.03

6. Use 1/2" anchor bolts and nuts at each of the foot locations to anchor the log deck frame to the floor.



WARNING! Securely fasten the feet of the Log Infeed Deck to the floor before operating the Log Infeed Deck. Failure to do so may result in serious injury or death.

2.8.3 Hydraulic Installation

1. Connect the provided 4' extension hoses to the log deck cylinders. Connect the top hoses from each cylinder to a 'T' fitting. Connect the bottom hoses from each cylinder to another 'T' fitting. Connect a 7' hose to each 'T' fitting. Route the 7' hoses to the sawmill frame and connect to the loader hoses using the provided union fittings. **NOTE:** Be sure to connect the hoses from the cylinder fittings to the correct loader fittings (Top/Top, Bottom/Bottom).

See Figure 2-57.

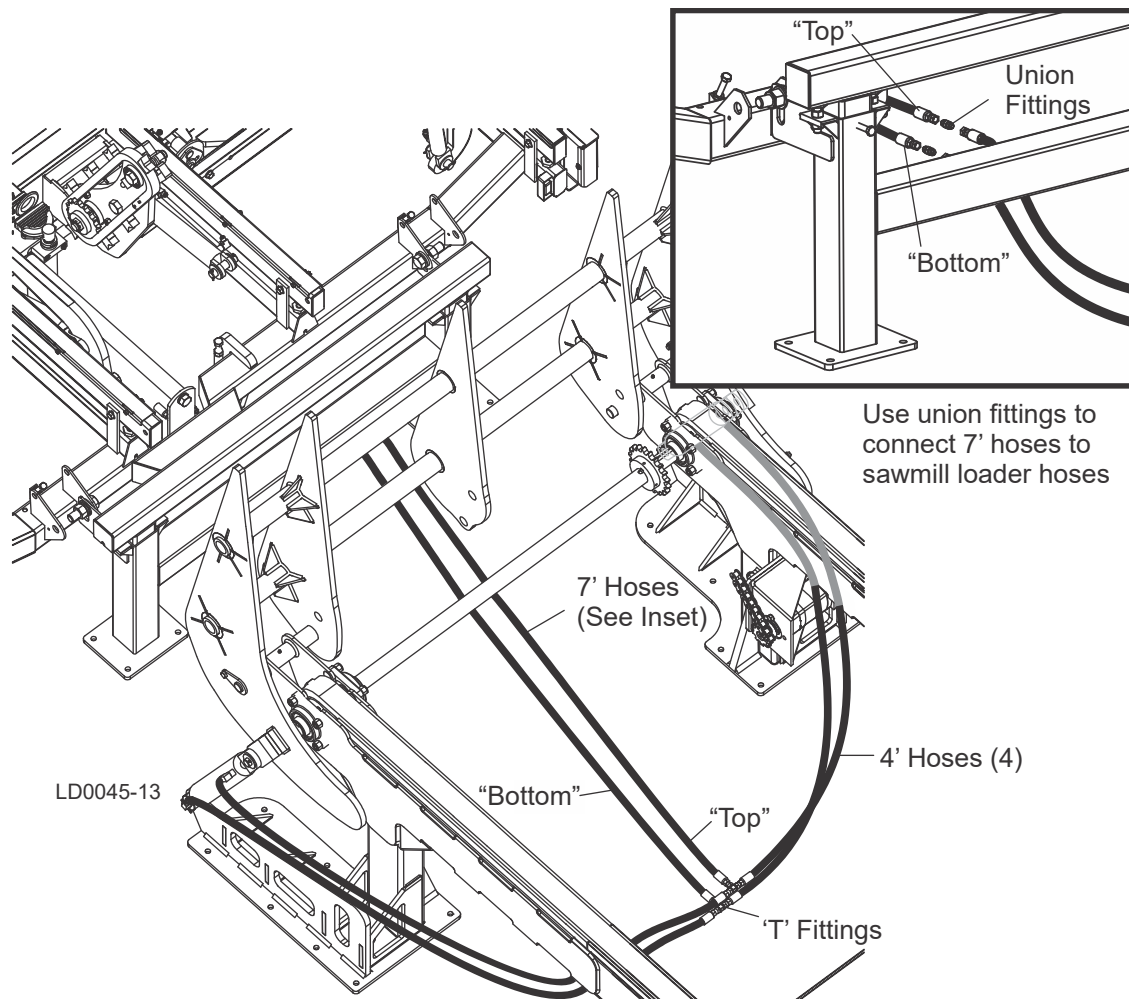


FIG. 2-57 REV. B2.00+

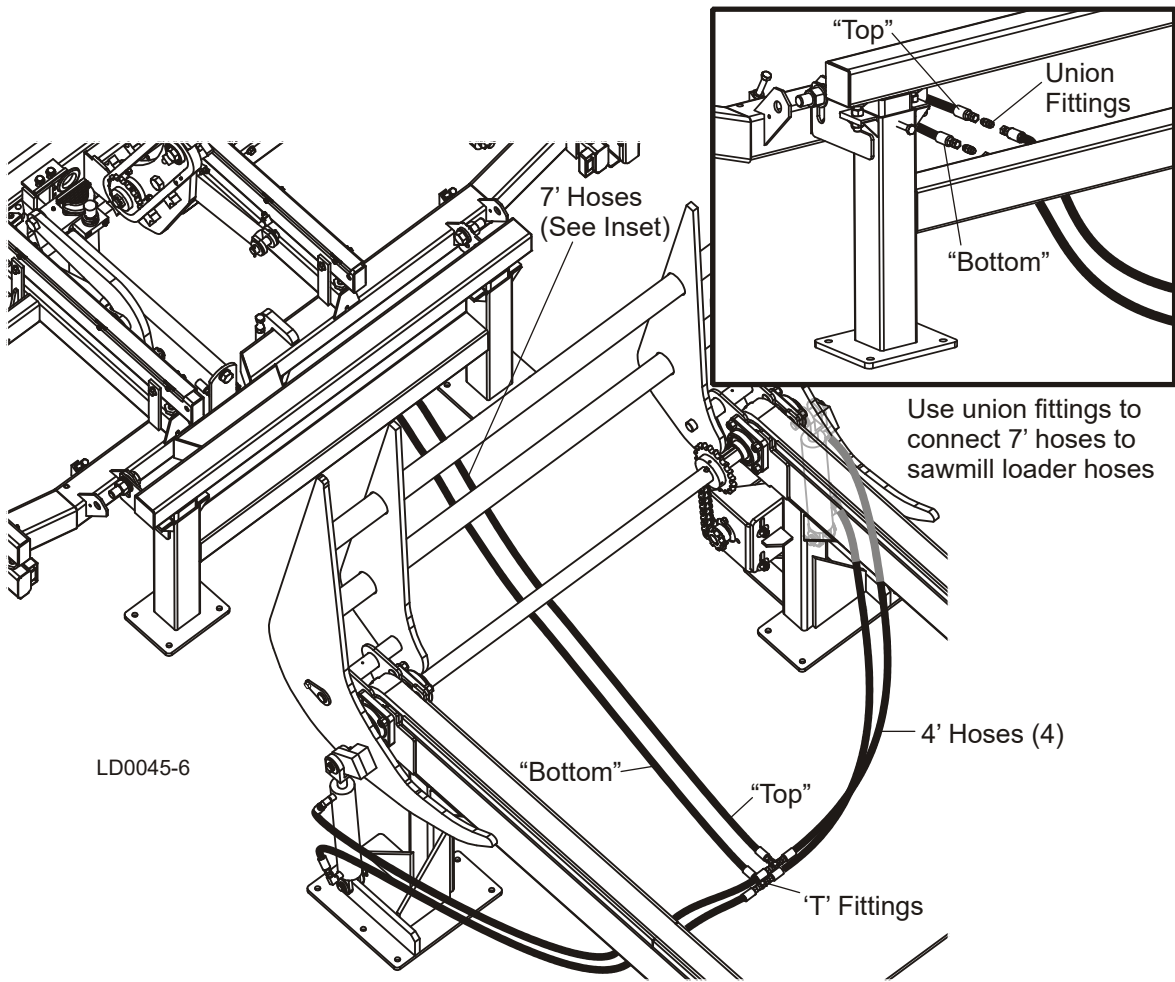


FIG. 2-57 REV. B1.00 - B1.03

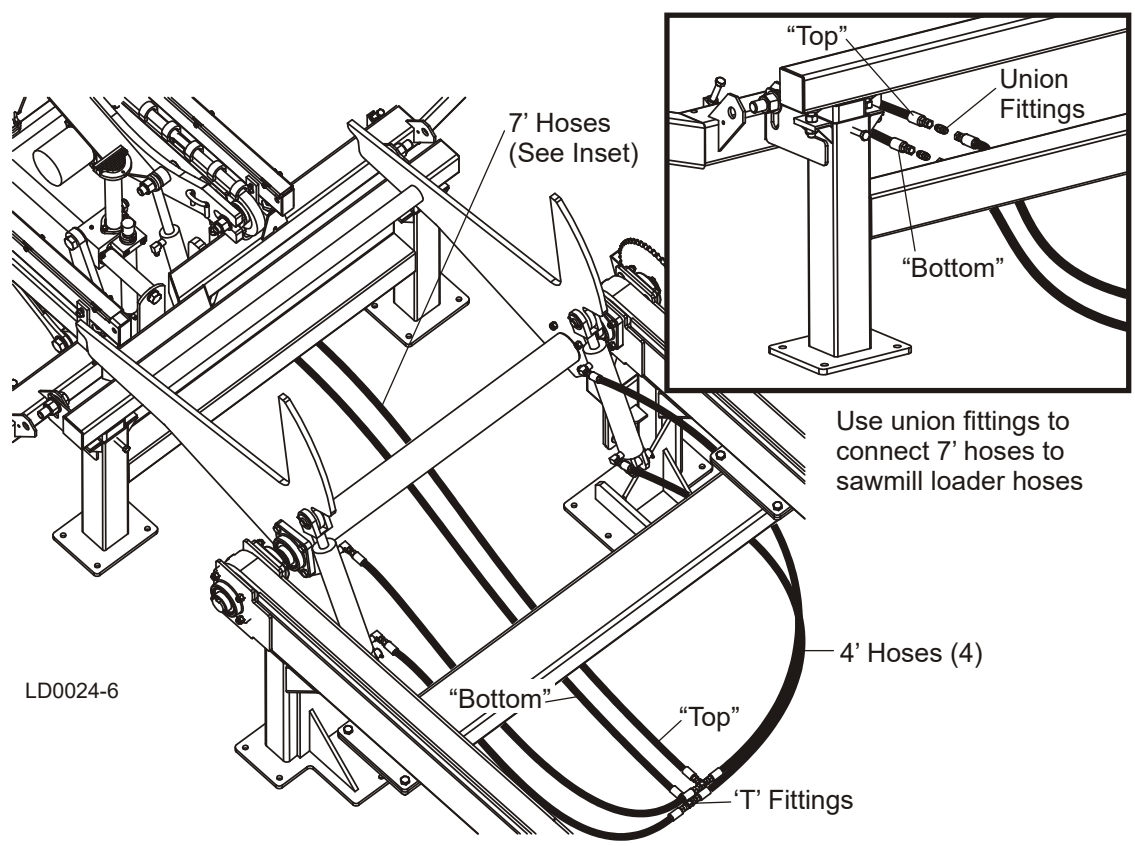


FIG. 2-57 REV. A1.00 - A2.03

2. Locate the hydraulic valve manifold under the operator station platform. Install the solenoid valve to the bracket under the hydraulic manifold. Use the provided two hex head bolts and nuts to secure the solenoid valve in place.

See Figure 2-58.

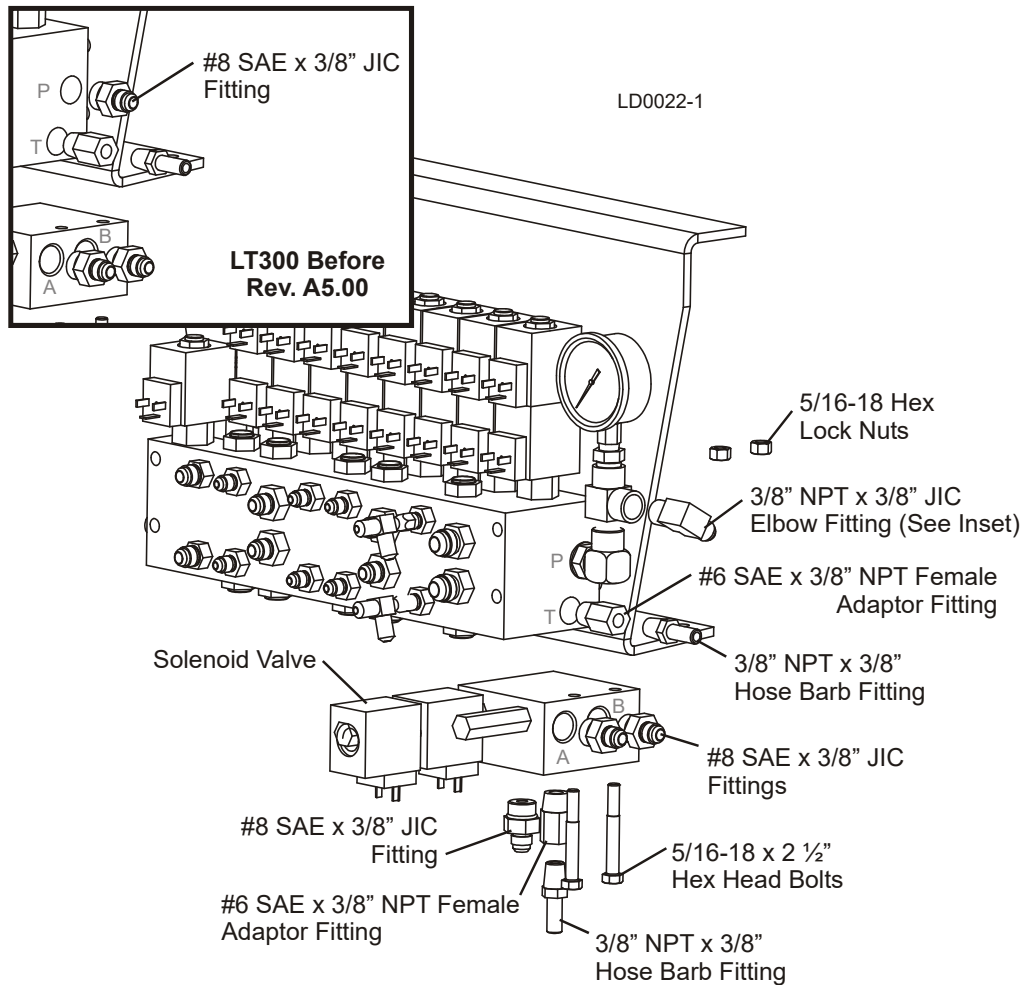


FIG. 2-58

3. Remove the plugs from the side wall of the hydraulic manifold and install the fittings to the manifold and solenoid as shown. Make sure the fittings are tight to prevent hydraulic fluid leaks.

4. Use the provided 2' low-pressure hose to connect the hose barb fitting on the manifold and the new solenoid. Secure with the provided hose clamps.

See Figure 2-59.

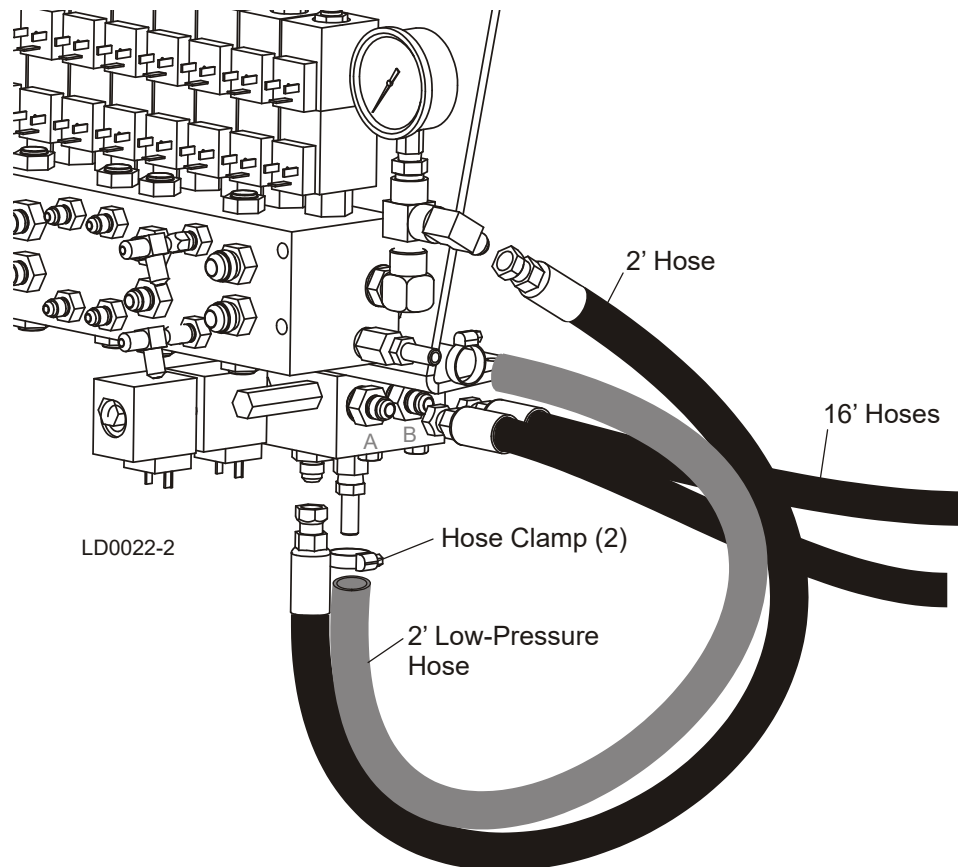


FIG. 2-59

5. Use the 2' hose with fittings to connect the JIC fittings on the manifold and the new solenoid.
6. Connect the two 16' hoses to the JIC fittings on the new solenoid valve. Route the hoses to the log deck hydraulic drive motor.
7. Remove the two plug fittings from the hydraulic drive motor and install the two provided fittings. These fittings are pre-installed after 1/05.

See Figure 2-60.

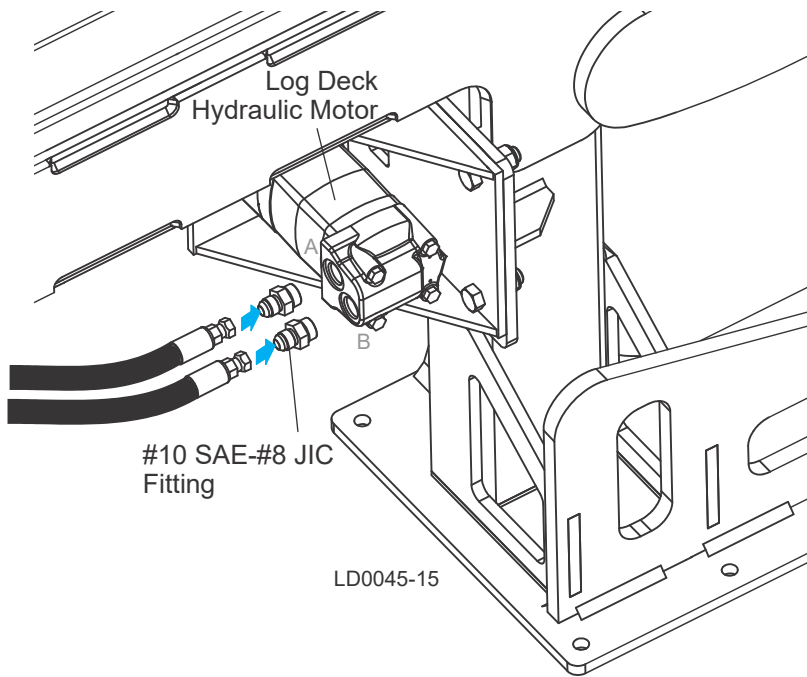


FIG. 2-60 REV. B2.00+

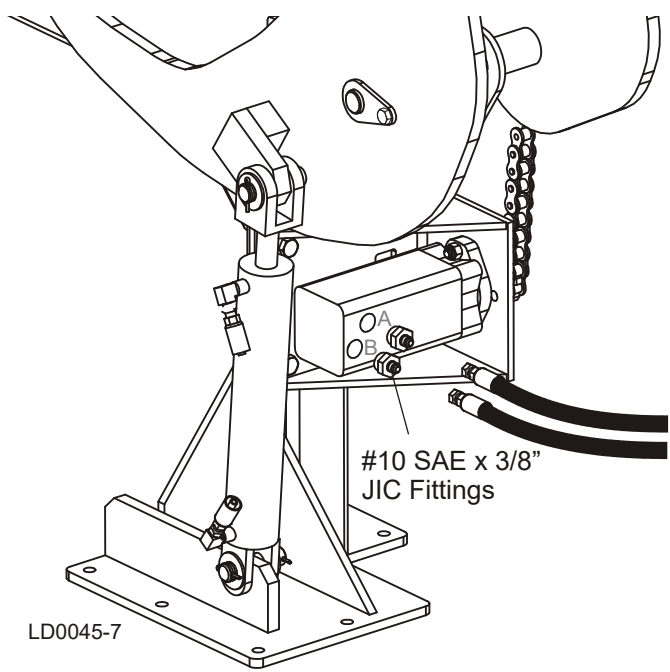


FIG. 2-60 REV. B1.00 - B1.03

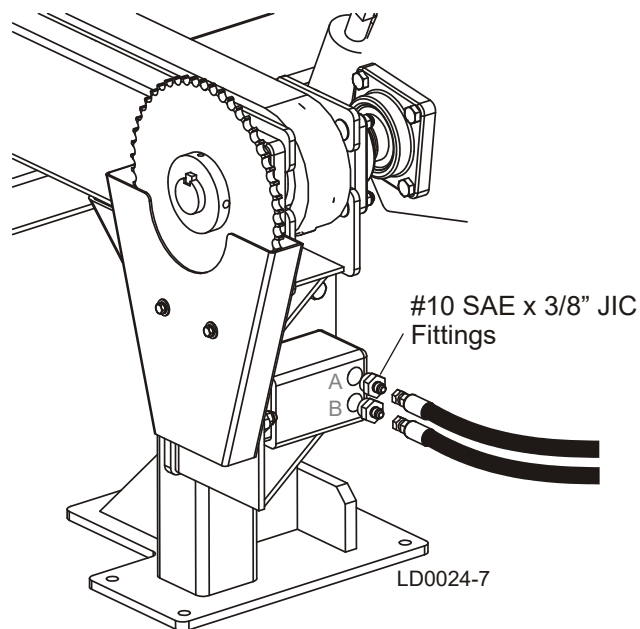


FIG. 2-60 REV. A1.00 - A2.03

8. Connect the hose from the solenoid fitting labeled #A to the motor fitting labeled #A. Connect the hose from the solenoid fitting labeled #B to the motor fitting labeled #B.

2.8.4 Electrical Installation



DANGER! Make sure all electrical installation, service and/or maintenance work is performed by a qualified electrician and is in accordance with applicable electrical codes.



WARNING! Consider all electrical circuits energized and dangerous.

WARNING! Never assume or take the word of another person that the power is off; check it out and lock it out.

WARNING! Do not wear rings, watches, or other jewelry while working around an open electrical circuit.

WARNING! Before performing service near moving parts such as blades, pulleys, motors, belts and chains, make sure the unit is not in use. If the unit is operated and moving parts activated, serious injury may result.

1. Disconnect the power from the machine. Lock and tag out the machine prior to performing this procedure.

2. Remove the face plate from the provided FORWARD/REVERSE control box.

See Figure 2-61.

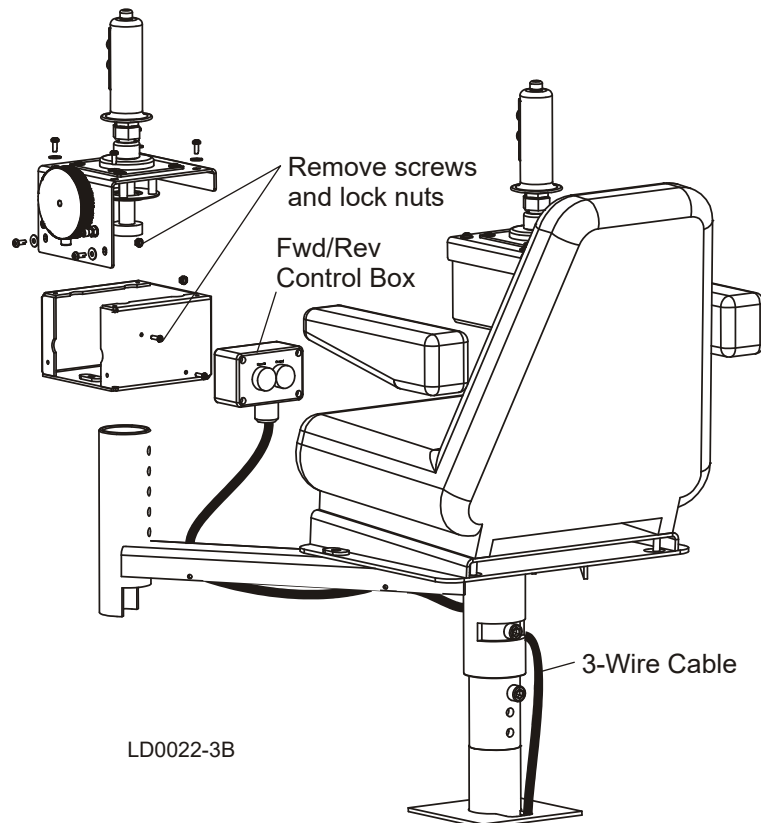


FIG. 2-61

3. Install the FORWARD/REVERSE control box to the left joystick of the operator station. Unscrew the joystick housing cover and carefully lift the joystick assembly out of the housing. Remove the two screws and lock nuts from the front face of the housing. Secure the FORWARD/REVERSE control box to the joystick housing with the screws and lock nuts.

NOTE: You will need to drill a new 0.16" diameter upper mounting hole in the joystick housing to mount the Log Deck control box.

4. Replace the control box face plate.
5. Route the 3-wire cable through the seat arm channel and down through the hole where the seat pedestal mounts. Under the operator station, continue routing the cable to the electrical control cabinet.

- Install one of the provided connectors to an available hole at the bottom/left of the control cabinet and secure with a lock nut. Insert the 3-wire cable through the connector. Remove the wireway covers and route the cable toward the X24 and X5 terminal blocks. At block X24, connect the white wire to terminal #B1. At terminal module labeled X5, connect the green wire to terminal #C6 and the black wire to terminal #C7.

See Figure 2-62.

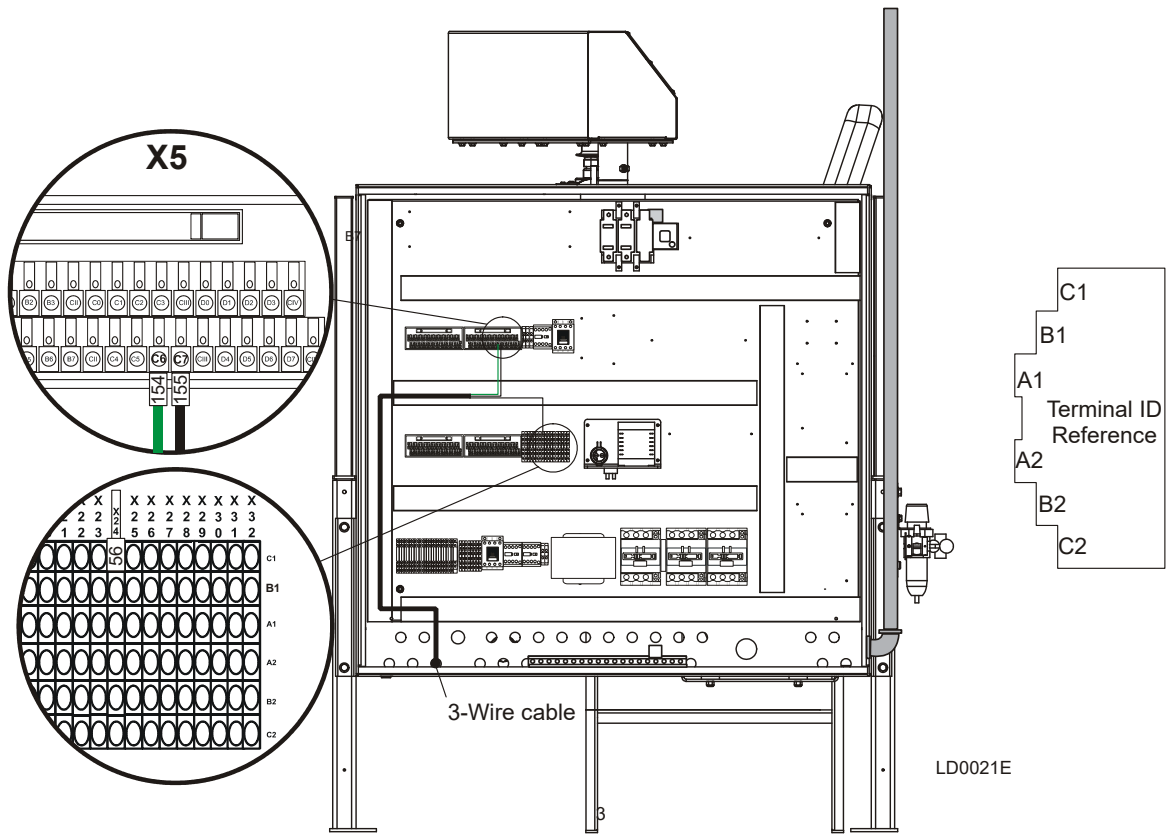


FIG. 2-62

7. Remove the clamp securing the X16-32 terminal block module to the rail. Install the two provided relays labeled K37 and K38 to the rail. Replace the clamp and secure the block in place.
8. Connect the blue wire with terminal labeled #53 to terminal block X28, terminal #A2. Connect the blue wire with terminal labeled #55 to terminal block X21, terminal #A1. Connect the blue wire with terminal labeled #515 to terminal block X15, terminal #D2. Connect the blue wire with terminal labeled #516 to terminal block X15, terminal #D3.

See Figure 2-63.

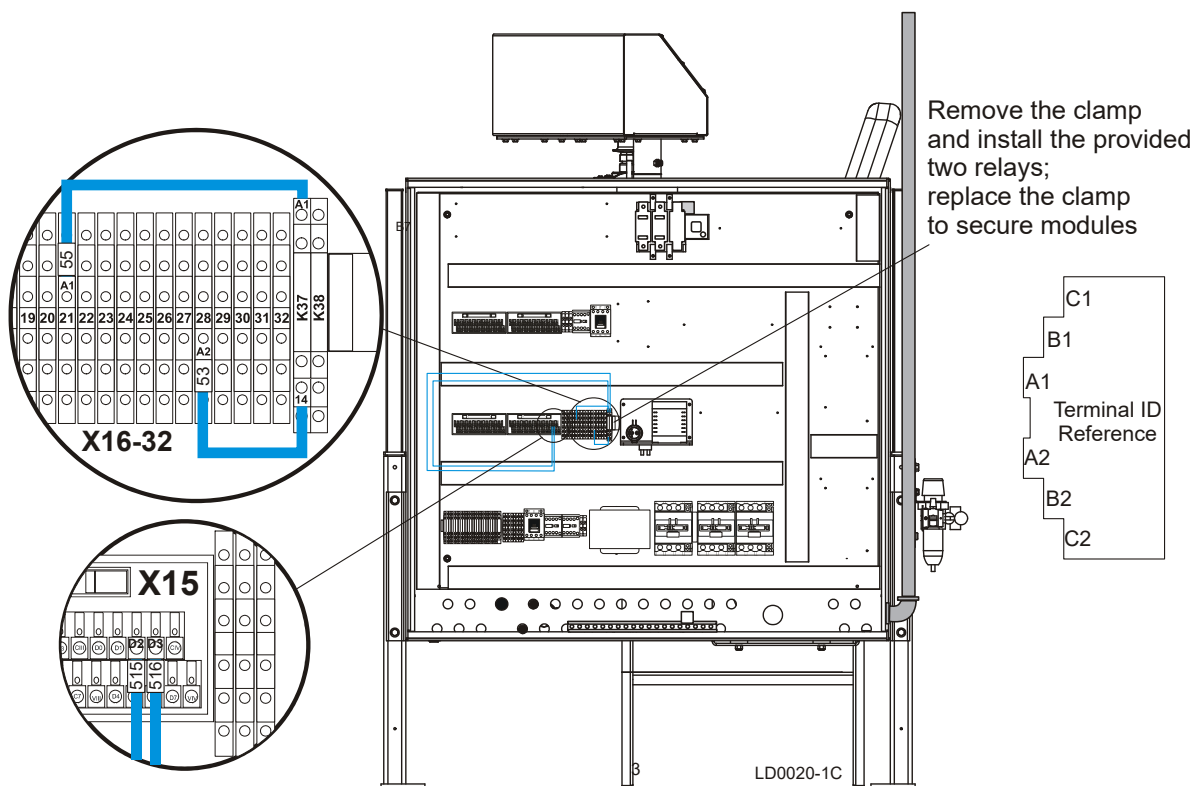


FIG. 2-63

9. Remove the wing nuts securing the two plug assemblies from the holes at the bottom of the electrical control cabinet. Remove the lock nuts from the connectors on the square plug cables labeled LDF and LDR. Install the LDF cable to the top hole in the control cabinet and secure the connector to the cabinet with the lock nut. Install the LDR cable to the bottom hole in the control cabinet and secure the connector to the cabinet with the lock nut.
10. Route the cables through the wireways toward the K37/K38 relays and the X38/X39 terminal blocks.
11. **Connect the LDF wires:** At relay module K37, connect the black wire labeled #168 to terminal #11. At terminal block X38, connect the black wire labeled #68 to terminal #A2. Connect the green ground wire to the ground terminal.
12. **Connect the LDR wires:** At relay module K38, connect the black wire labeled #167 to terminal #11. At terminal block X39, connect the black wire labeled #68 to terminal #A2. Connect the green ground wire to the ground terminal.

See Figure 2-64.

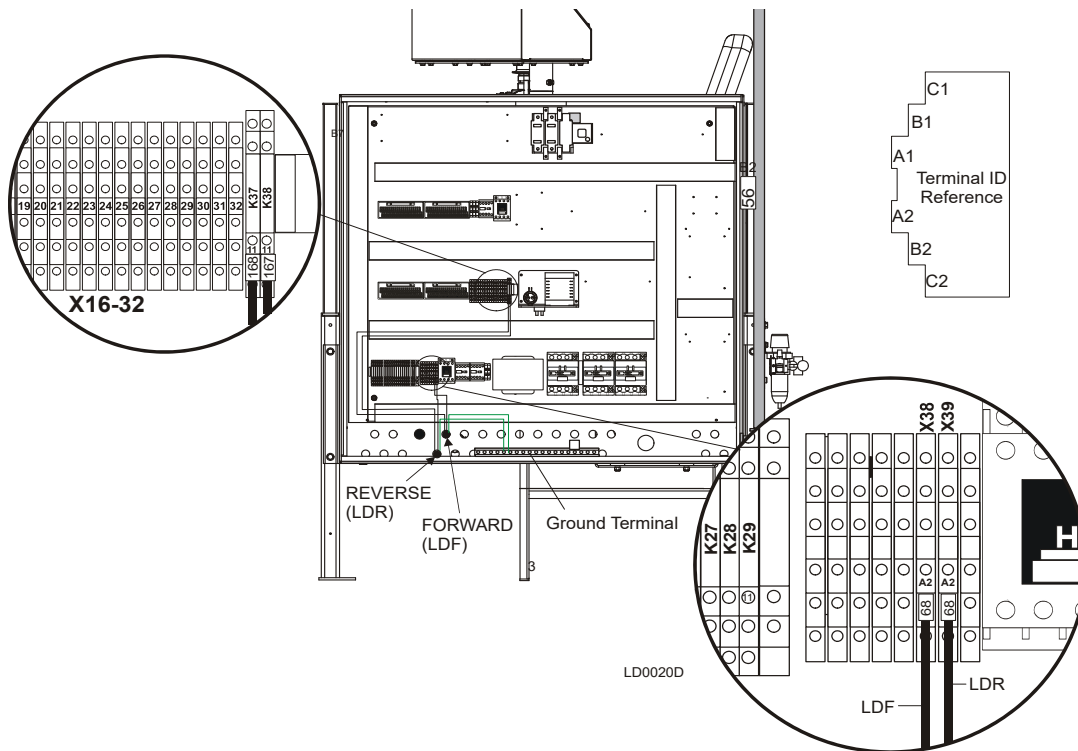


FIG. 2-64

13. Connect the square plug of the LDF cable from the electrical box to the FORWARD solenoid on the hydraulic manifold. Connect the LDR cable to the REVERSE solenoid.

See Figure 2-65.

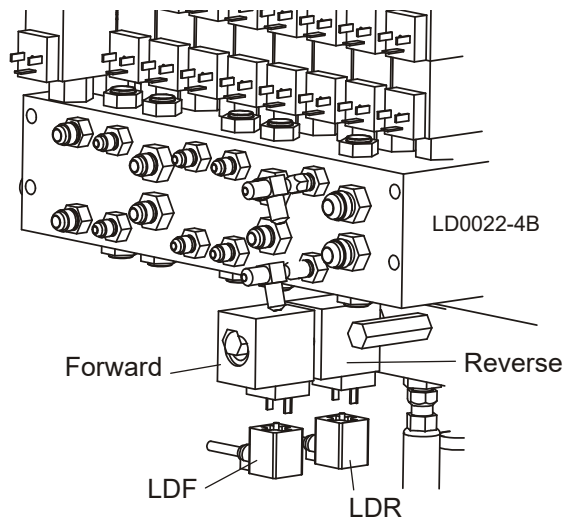


FIG. 2-65

14. Secure all hoses and cables out of the way to avoid damage from moving parts.

2.9 Log Deck Installation (LT300 Rev. A9.00+/WM3000/WM3500)

Prepare a firm, level area where the Log Infeed Deck can be anchored. A cement pad with 1/2" diameter anchor bolts is recommended.

2.9.1 Log Loader Removal

1. If applicable, remove the hydraulic log loader. Remove the two pivot pins securing the log loader assembly to the sawmill frame.

See Figure 2-66.

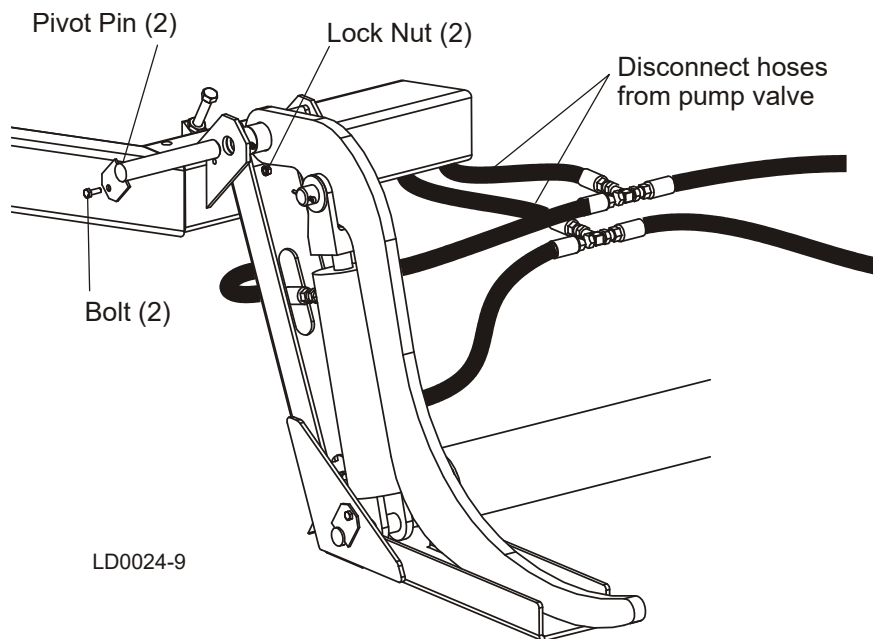


FIG. 2-66

2. Disconnect the loader hoses from the pump valve. Plug the hoses to prevent fluid leaks. Remove any hose clamps as necessary so the log loader and hoses can be removed from the sawmill.
3. Store the log loader assembly away from the sawmill.

2.9.2 Log Deck Installation

1. Place the log deck loader stop in position close to the sawmill frame and secure to the loader brackets with the provided bolts, flat washers and nuts. Make sure the loader stop is level and both feet touch the floor before securing.

See Figure 2-67.

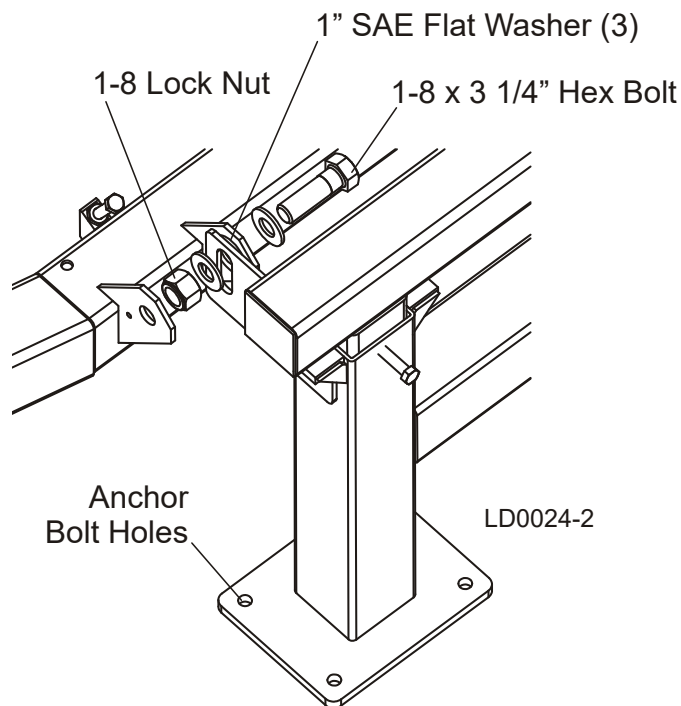


FIG. 2-67

2. Use 1/2" anchor bolts and nuts at each of the two foot locations to anchor the log deck loader stop to the floor.

3. **Rev. B2.00+:** Position the log deck frame approximately 22 1/4" (565mm) away from the loader stop. The loader arms should rest on the loader stop when lowered.

See Figure 2-68.

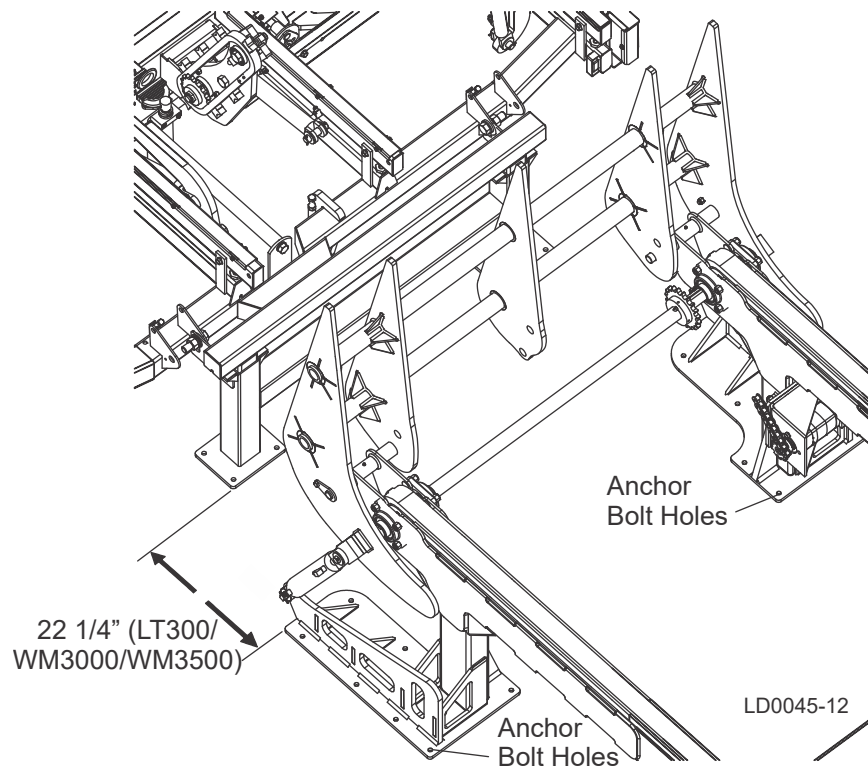


FIG. 2-68 REV. B2.00+

2 Operation & Setup

Log Deck Installation

4. **Rev. B1.00 - B1.03:** Position the log deck frame approximately 36" (915mm) away from the loader stop. The loader arms should rest on the loader stop when lowered.

See Figure 2-69.

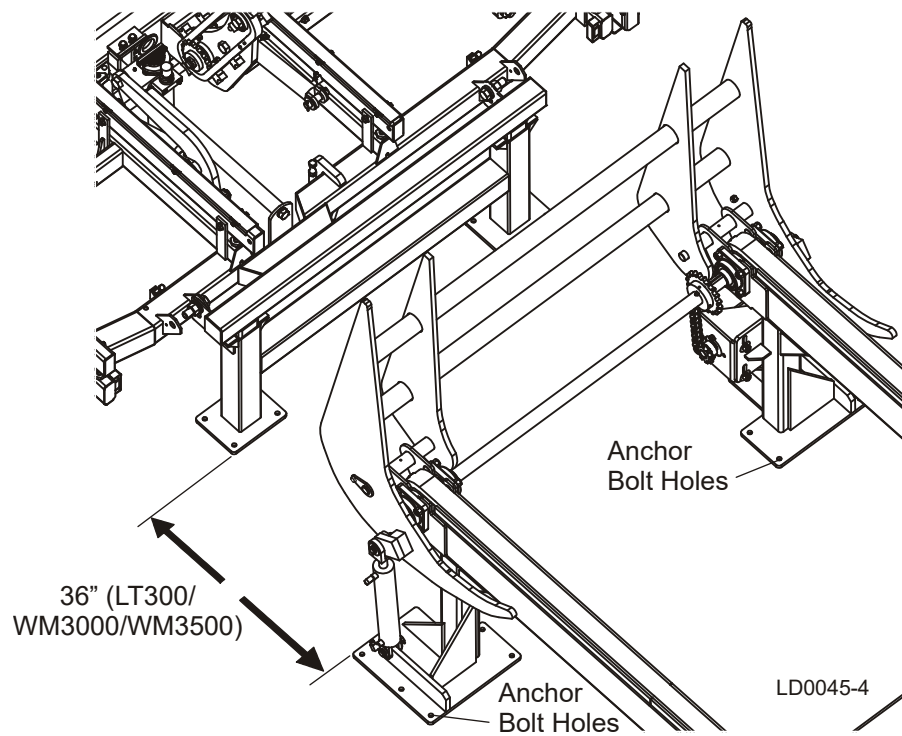


FIG. 2-69 REV. B1.00 - B1.03

- 5. Rev. A1.00 - A2.03:** For LT300 and WM3000 models, position the log deck frame approximately 29 7/16" (750mm) away from the loader stop. For WM3500 models, position the log deck frame approximately 31 7/16" (798.5mm) away from the loader stop. The loader arms should rest on the loader stop when lowered.

See Figure 2-70.

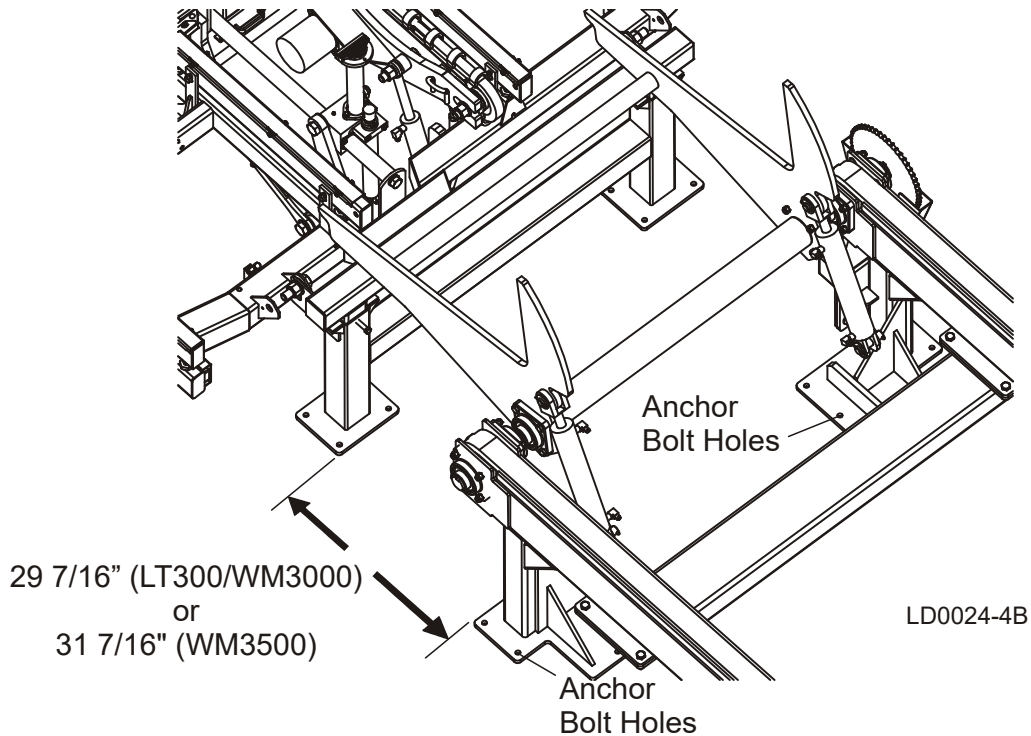


FIG. 2-70

- 6.** Use 1/2" anchor bolts and nuts at each of the foot locations to anchor the log deck frame to the floor.



WARNING! Securely fasten the feet of the Log Infeed Deck to the floor before operating the Log Infeed Deck. Failure to do so may result in serious injury or death.

2.9.3 Hydraulic Installation

1. Connect the provided 4' extension hoses to the log deck cylinders. Connect the top hoses from each cylinder to a 'T' fitting. Connect the bottom hoses from each cylinder to another 'T' fitting. Connect a 24' hose to each 'T' fitting. Route the 24' hoses to the sawmill frame along the existing hoses to the pump valve manifold under the operator station. If your valve is equipped with a log loader valve, connect the log deck hoses to the valve. **NOTE:** Connect the hose from the top cylinder fittings to the top valve fitting and the hose from the bottom cylinder fitting to the bottom valve fitting. If your valve is not equipped with a log loader valve, install the one provided as described in the next step.

See Figure 2-71.

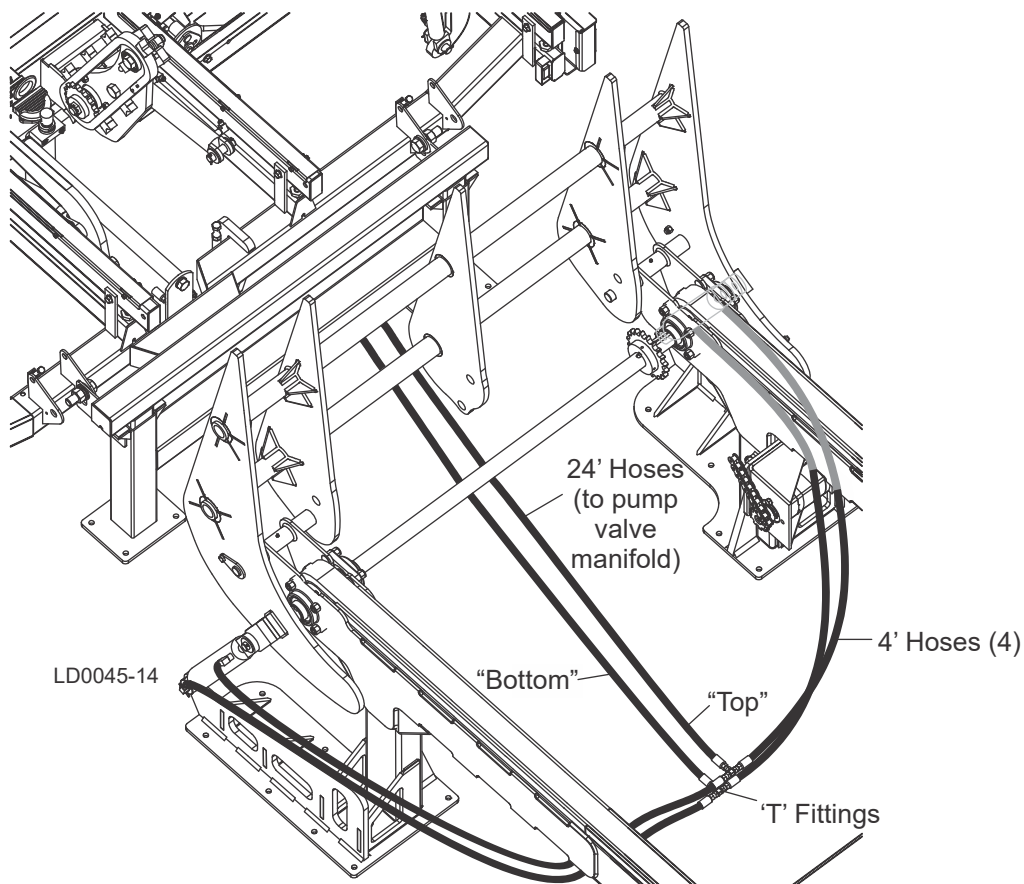


FIG. 2-71 REV. B2.00+

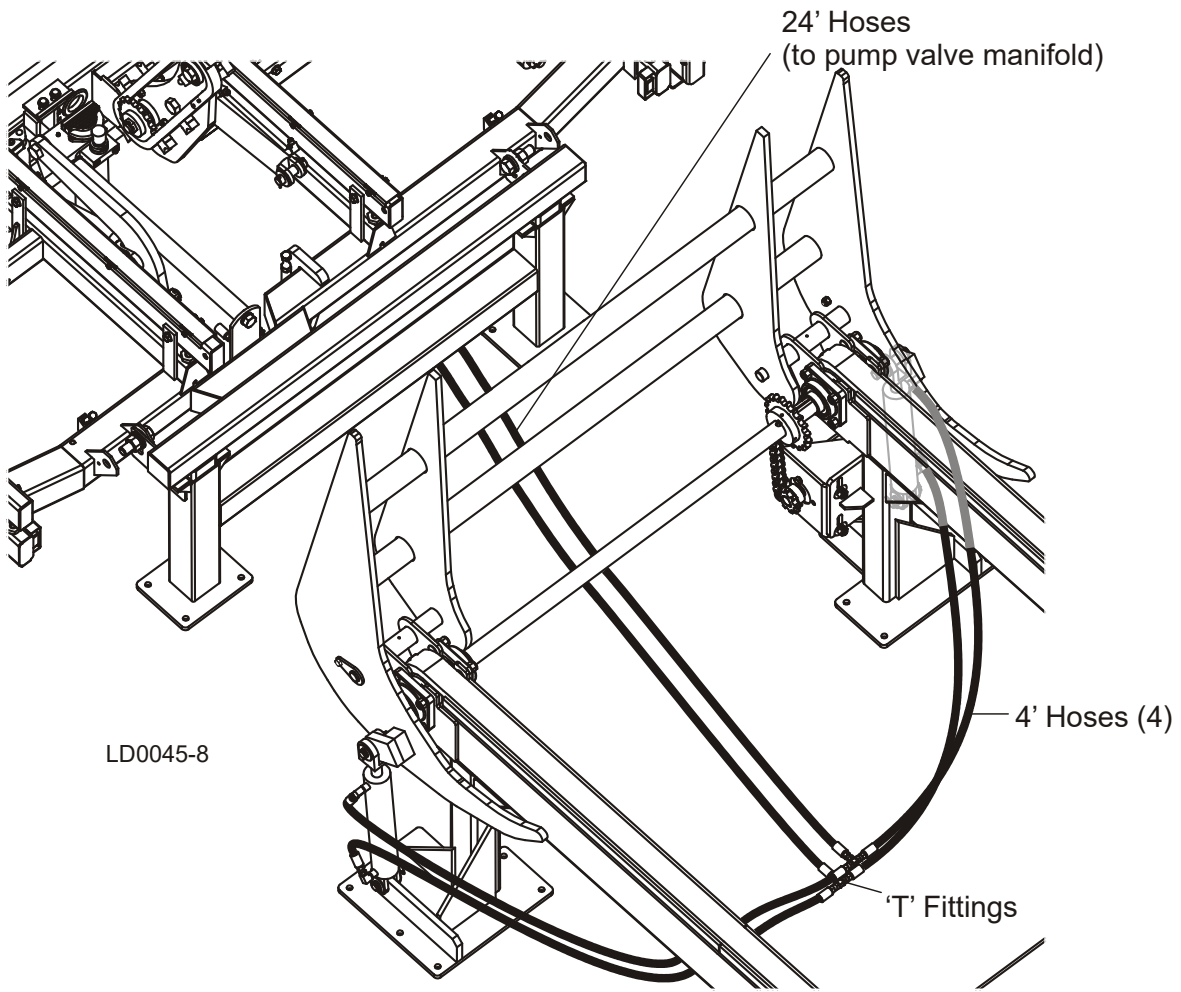


FIG. 2-71 REV. B1.00 - B1.03

2 Operation & Setup
Hydraulic Installation

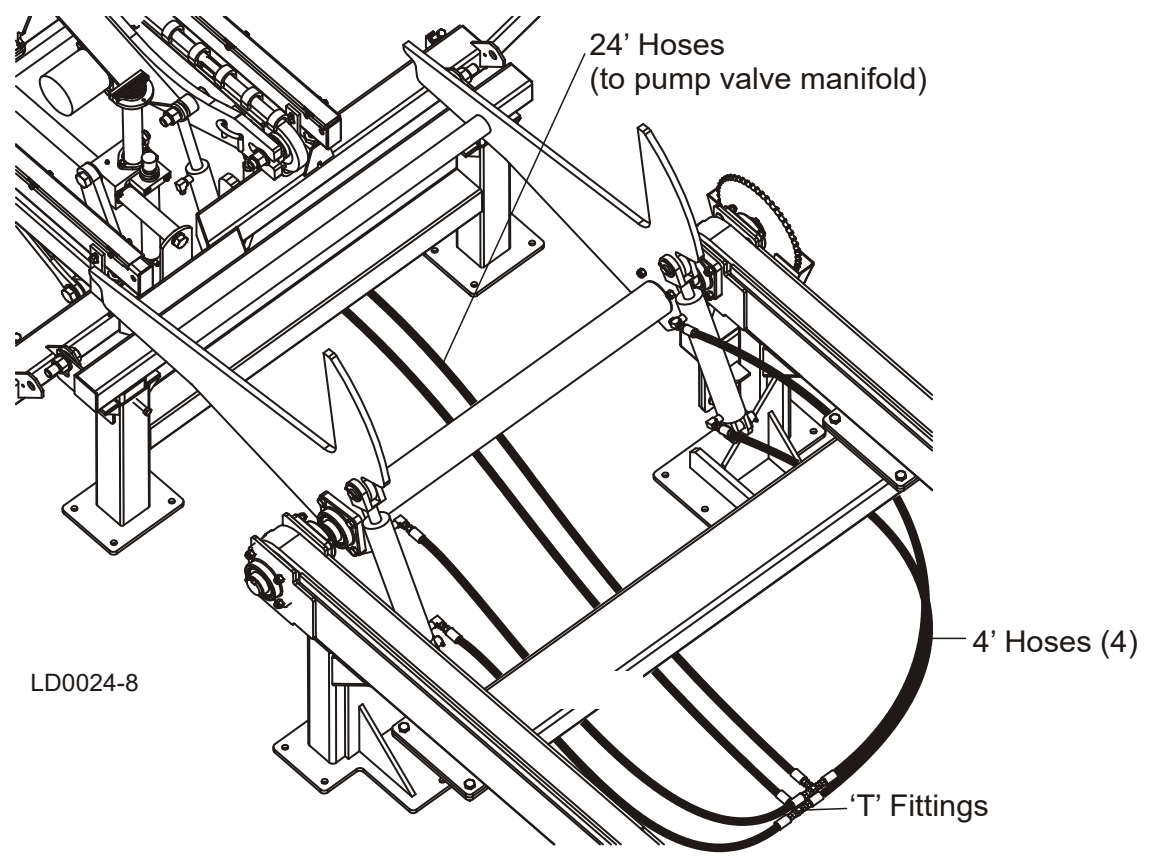


FIG. 2-71 REV. A1.00 - A2.03

2. If your system is not equipped with an optional log loader valve, install both valves provided. If the system is equipped with an a log loader valve, remove the valve mounting screws and install only one of the valves provided. Locate the hydraulic valve manifold under the operator station platform. Install the provided valve assembly to the end of the valve manifold using the three screws provided. Be sure the provided O-rings are positioned in the two port holes between each valve body.

See Figure 2-72.

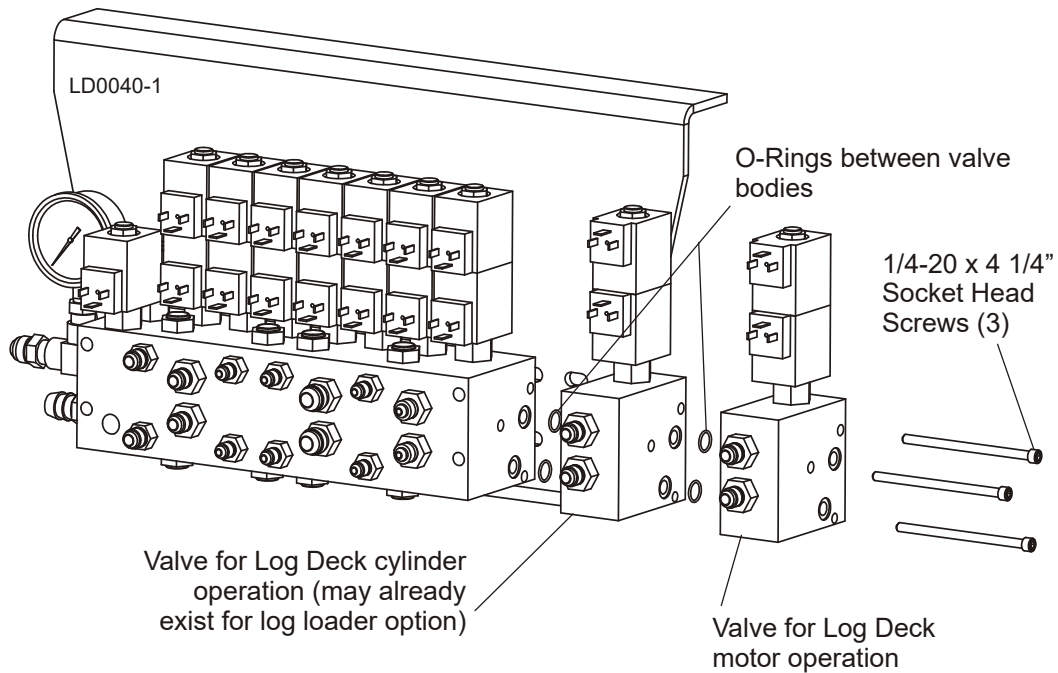


FIG. 2-72

2

Operation & Setup

Hydraulic Installation

See **Figure 2-73**. Connect the 24' hoses from the Log Deck cylinders to the first valve. Connect the hose from the top cylinder fittings to the top valve fitting and the hose from the bottom cylinder fittings to the bottom valve fitting. Connect the two 16' hoses to the fittings on the second valve. Route the hoses to the log deck hydraulic drive motor.

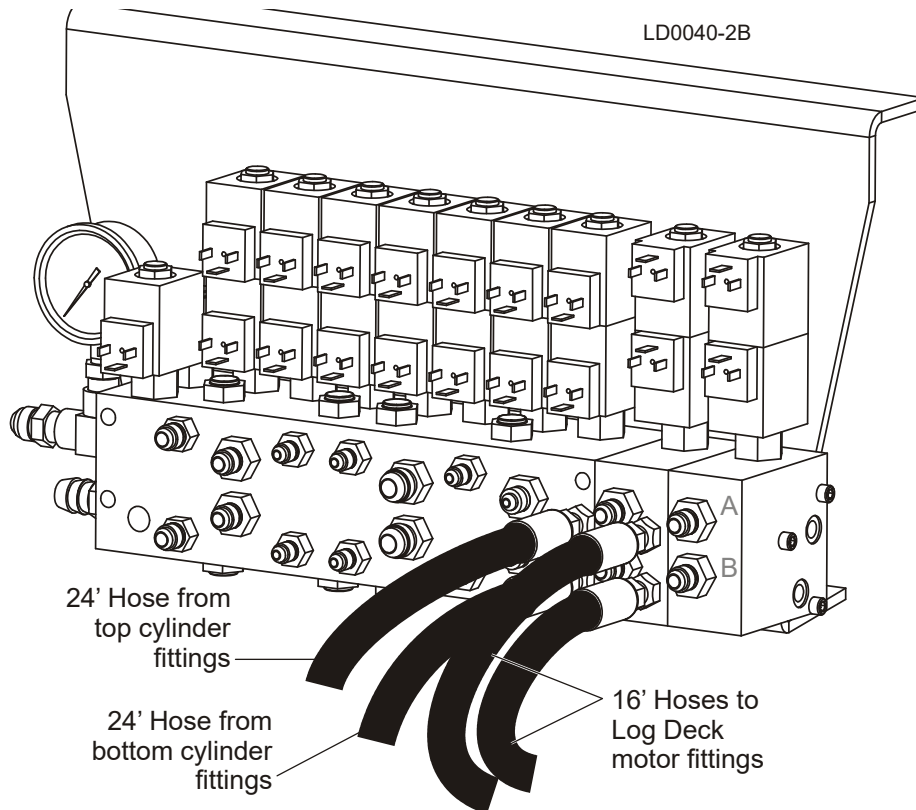


FIG. 2-73

3. Connect the hose from the solenoid fitting labeled #A to the motor fitting labeled #A. Connect the hose from the solenoid fitting labeled #B to the motor fitting labeled #B.

See Figure 2-74.

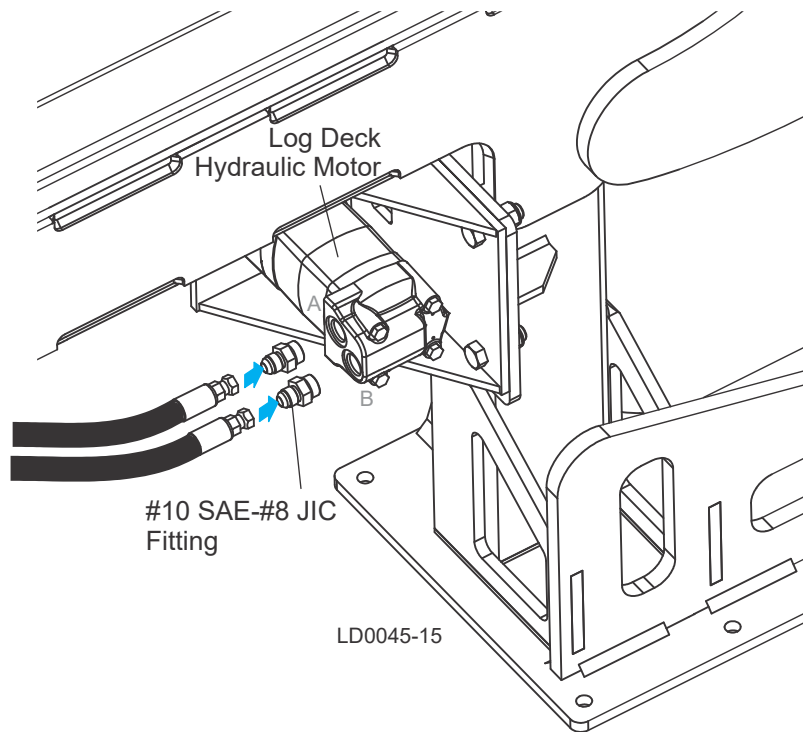


FIG. 2-74 REV. B2.00+

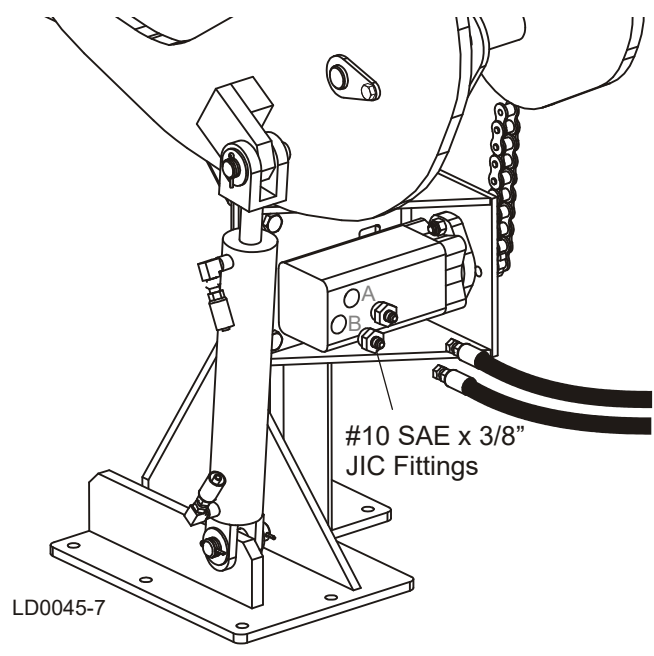


FIG. 2-74 REV. B1.00 - B1.03

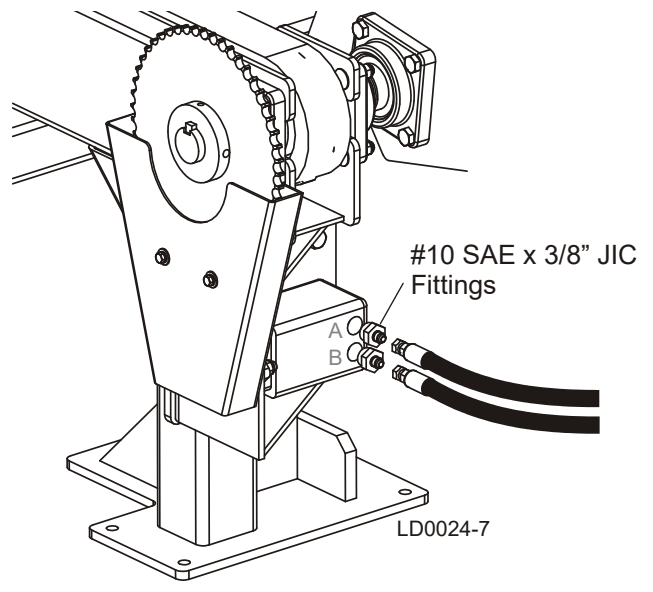


FIG. 2-74 REV. A1.00 - A2.03

2.9.4 *Electrical Installation (LT300 Rev. B3.00+/WM3000/WM3500 Only)*



DANGER! Make sure all electrical installation, service and/or maintenance work is performed by a qualified electrician and is in accordance with applicable electrical codes.



WARNING! Consider all electrical circuits energized and dangerous.

WARNING! Never assume or take the word of another person that the power is off; check it out and lock it out.

WARNING! Do not wear rings, watches, or other jewelry while working around an open electrical circuit.

WARNING! Before performing service near moving parts such as blades, pulleys, motors, belts and chains, make sure the unit is not in use. If the unit is operated and moving parts activated, serious injury may result.

1. Disconnect the power from the machine. Lock and tag out the machine prior to performing this procedure.

2

Operation & Setup

Electrical Installation (LT300 Rev. B3.00+/WM3000/WM3500 Only)

2. Remove the face plate from the provided FORWARD/REVERSE control box.

See Figure 2-75.

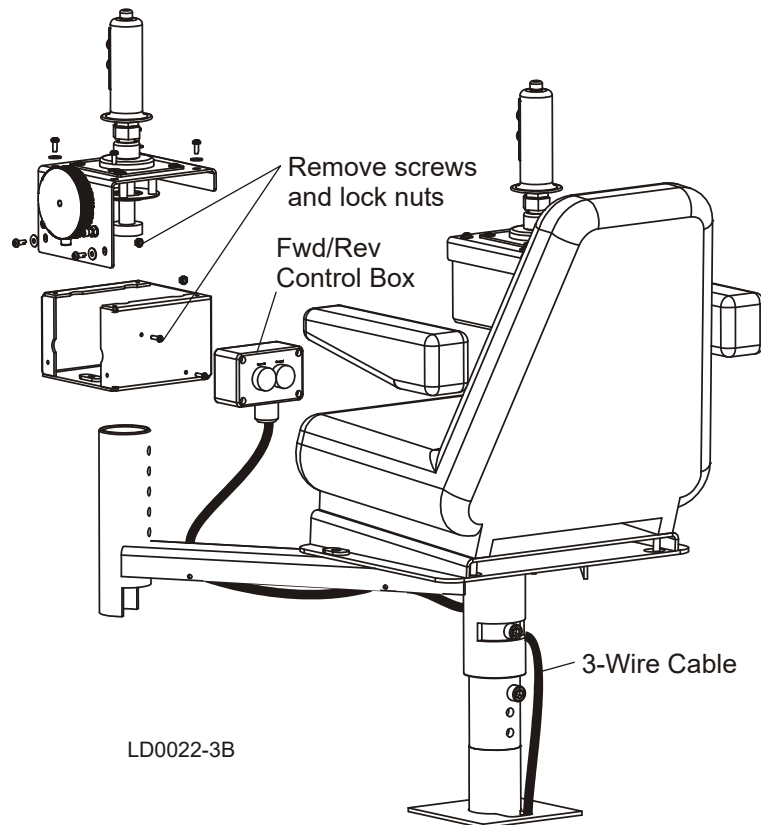


FIG. 2-75

3. Install the FORWARD/REVERSE control box to the left joystick of the operator station. Unscrew the joystick housing cover and carefully lift the joystick assembly out of the housing. Remove the two screws and lock nuts from the front face of the housing. Secure the FORWARD/REVERSE control box to the joystick housing with the screws and lock nuts.

NOTE: If installing on an LT300 built prior to 4/08, you will need to drill a new 0.16" diameter upper mounting hole in the joystick housing to mount the Log Deck control box.

4. Replace the control box face plate.
5. Route the 3-wire cable through the seat arm channel and down through the hole where the seat pedestal mounts. Under the operator station, continue routing the cable to the electrical control cabinet.

6. Install one of the provided connectors to an available hole at the bottom/left of the control cabinet and secure with a lock nut. Insert the 3-wire cable through the connector. Remove the wireway covers and route the cable toward the X24 and X5 terminal blocks. At block X24, connect the white wire to terminal #B1. At terminal module labeled X5, connect the green wire to terminal #C6 and the black wire to terminal #C7.

See Figure 2-76.

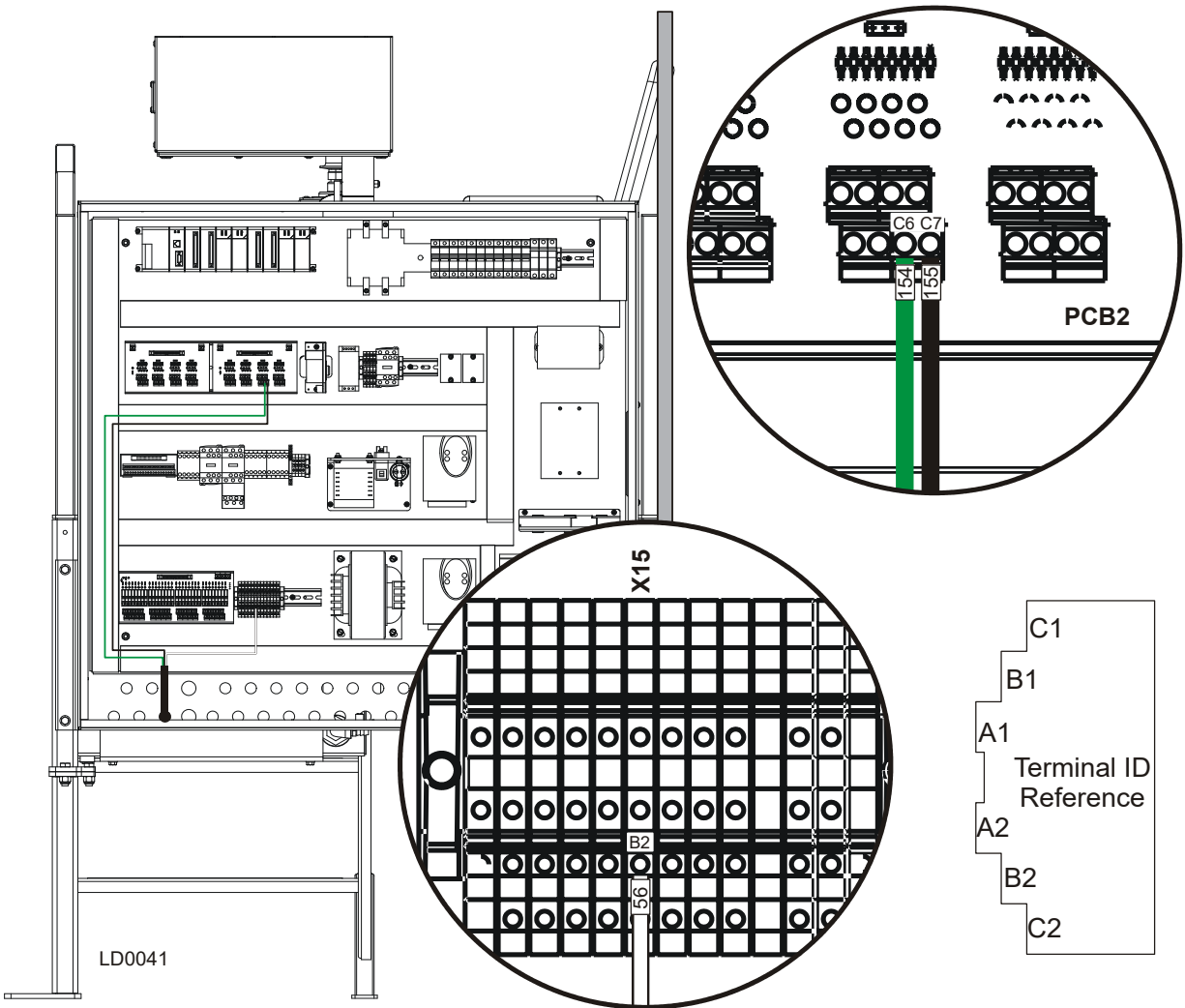


FIG. 2-76

2

Operation & Setup

Electrical Installation (LT300 Rev. B3.00+/WM3000/WM3500 Only)

7. Remove the wing nuts securing the two plug assemblies from the holes at the bottom of the electrical control cabinet. Remove the lock nuts from the connectors on the square plug cables labeled L24 and L25. Install the L24 cable to the top hole in the control cabinet and secure the connector to the cabinet with the lock nut. Install the L25 cable to the bottom hole in the control cabinet and secure the connector to the cabinet with the lock nut.
8. Route the cables through the wireways toward the PCB3 module.
9. **Connect the L24 wires:** At PCB3 module, connect the wire labeled L24 to the top terminal #D3. Connect the wire labeled #68 to the bottom terminal #D3. Connect the green ground wire to the ground terminal.
10. **Connect the L25 wires:** At PCB3 module, connect the wire labeled L25 to the top terminal #D2. Connect the wire labeled #68 to the bottom terminal #D2. Connect the green ground wire to the ground terminal.

See Figure 2-77.

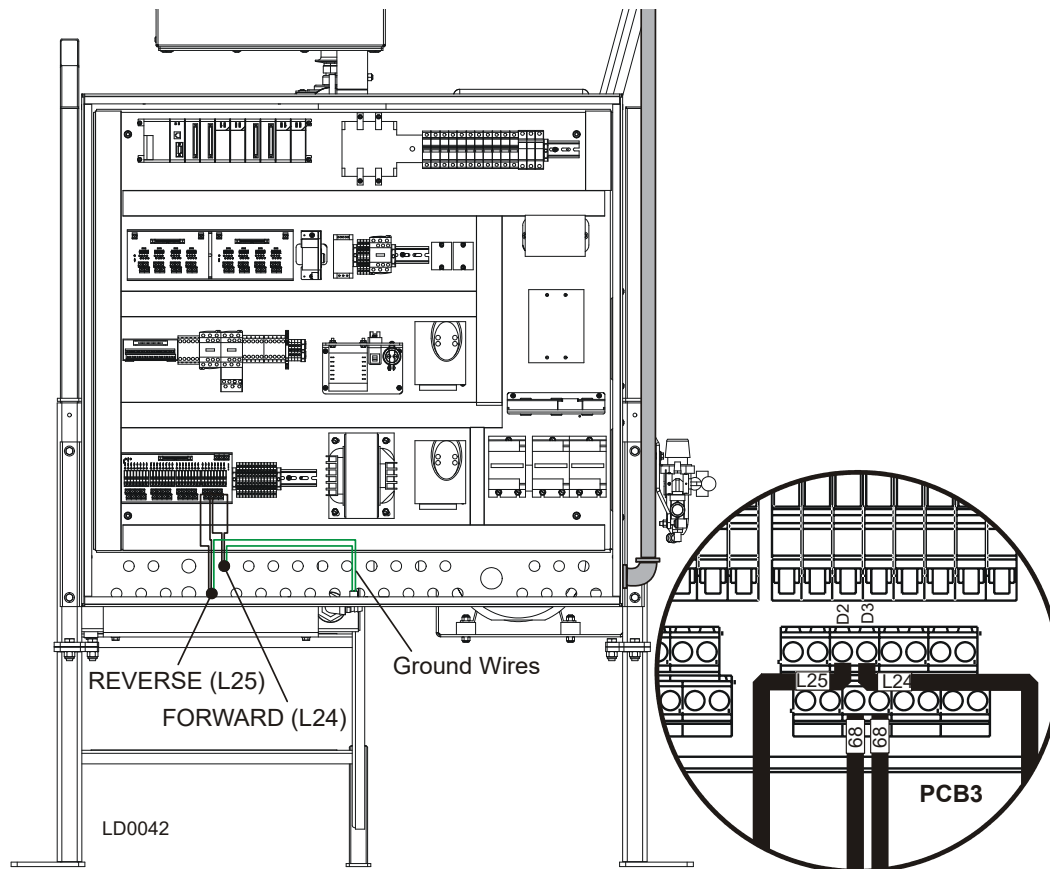


FIG. 2-77

11. Route the L24 and L25 cable to the hydraulic pump manifold. Locate the L3 and L11 cables stored near the manifold. If you had a log loader option, L3 and L11 are already connected to the first add-on valve. Connect the L3 cable to the top solenoid on the first valve. Connect the L11 cable to the bottom solenoid of the first valve. Connect the L24 cable to the top solenoid of the second valve. Connect the L25 cable to the bottom solenoid of the second valve.

See Figure 2-78.

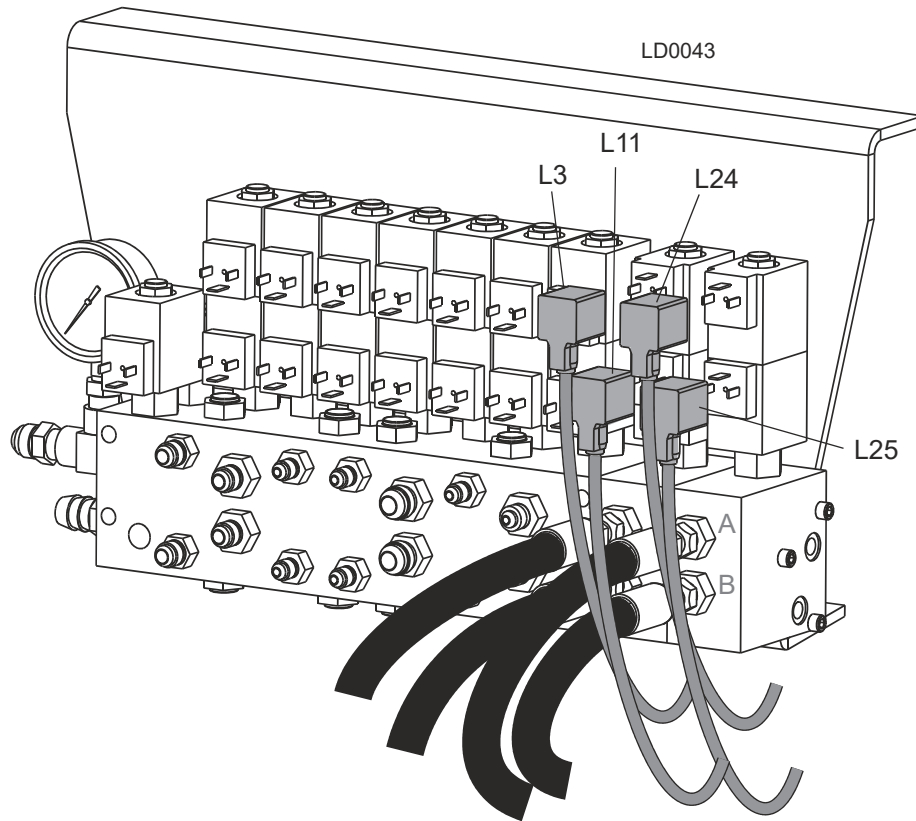


FIG. 2-78

12. Secure all hoses and cables out of the way to avoid damage from moving parts.

2.9.5 Electrical Installation (LT300 Rev. A9.00 - B2.02 Only)

DANGER! Make sure all electrical installation, service and/or maintenance work is performed by a qualified electrician and is in accordance with applicable electrical codes.



WARNING! Consider all electrical circuits energized and dangerous.

WARNING! Never assume or take the word of another person that the power is off; check it out and lock it out.

WARNING! Do not wear rings, watches, or other jewelry while working around an open electrical circuit.

WARNING! Before performing service near moving parts such as blades, pulleys, motors, belts and chains, make sure the unit is not in use. If the unit is operated and moving parts activated, serious injury may result.

1. Disconnect the power from the machine. Lock and tag out the machine prior to performing this procedure.

- Remove the face plate from the provided FORWARD/REVERSE control box.

See Figure 2-79.

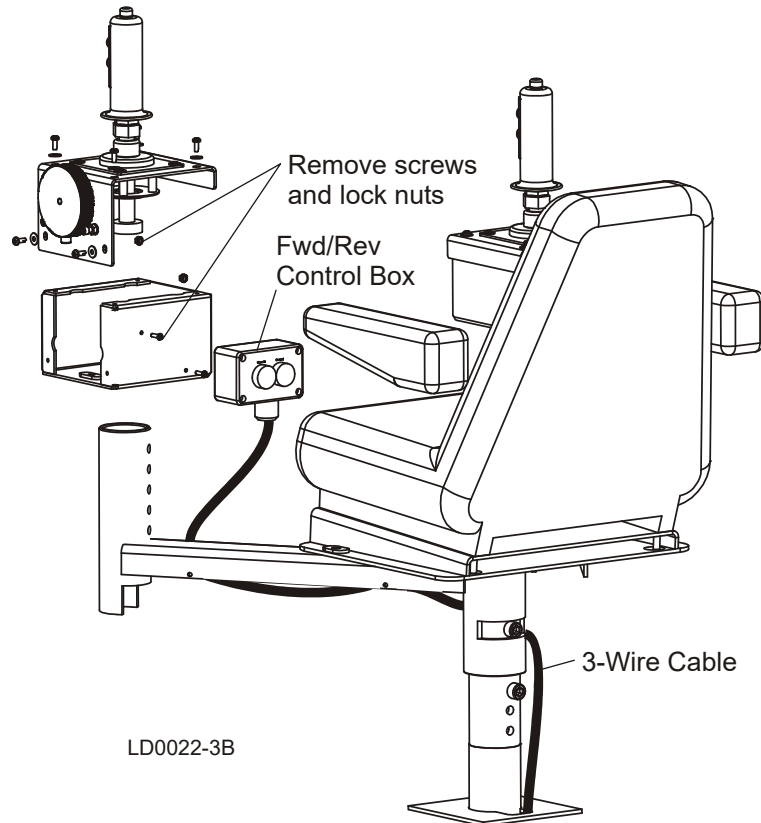


FIG. 2-79

- Install the FORWARD/REVERSE control box to the left joystick of the operator station. Unscrew the joystick housing cover and carefully lift the joystick assembly out of the housing. Remove the two screws and lock nuts from the front face of the housing. Secure the FORWARD/REVERSE control box to the joystick housing with the screws and lock nuts.

NOTE: You will need to drill a new 0.16" diameter upper mounting hole in the joystick housing to mount the Log Deck control box.

- Replace the control box face plate.
- Route the 3-wire cable through the seat arm channel and down through the hole where the seat pedestal mounts. Under the operator station, continue routing the cable to the electrical control cabinet.

2

Operation & Setup

Electrical Installation (LT300 Rev. A9.00 - B2.02 Only)

6. Install one of the provided connectors to an available hole at the bottom/left of the control cabinet and secure with a lock nut. Insert the 3-wire cable through the connector. Remove the wireway covers and route the cable toward the X24 and X5 terminal blocks. At block X24, connect the white wire to terminal #B1. At terminal module labeled X5, connect the green wire to terminal #C6 and the black wire to terminal #C7.

See Figure 2-80.

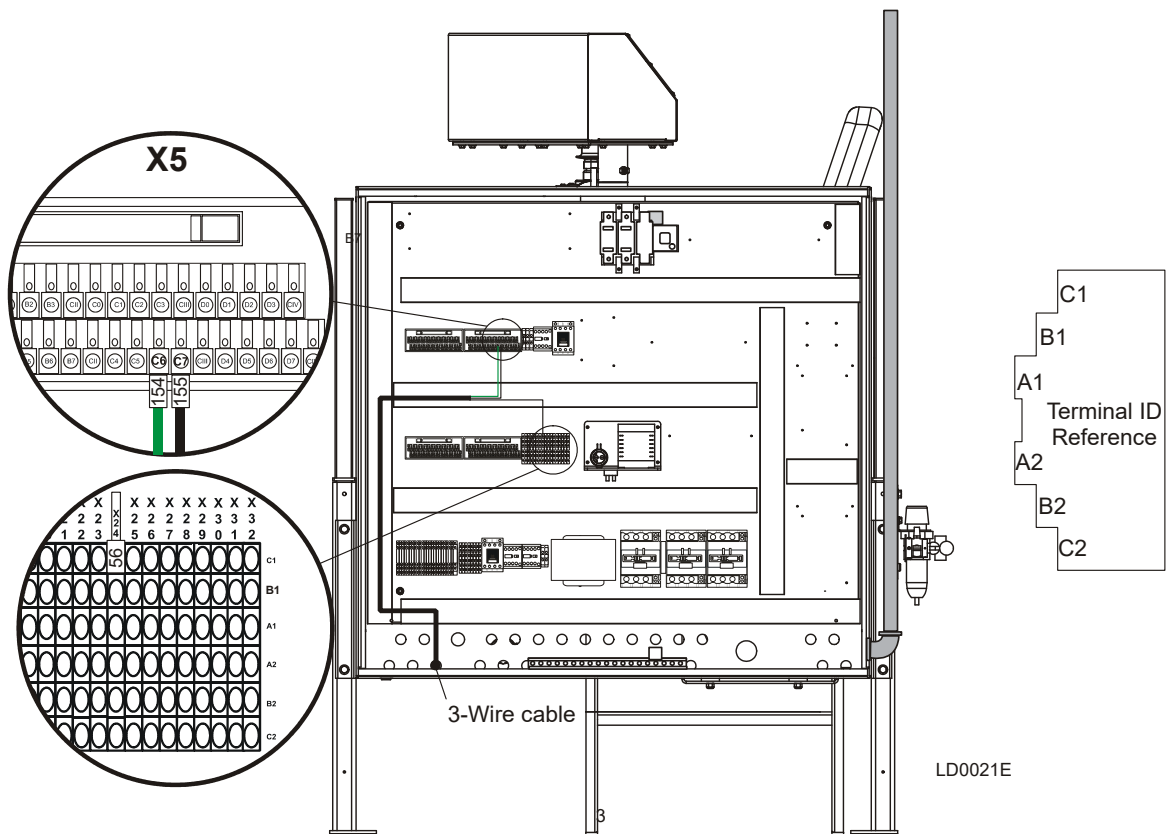


FIG. 2-80

7. Remove the clamp securing the X16-32 terminal block module to the rail. Install the two provided relays labeled K37 and K38 to the rail. Replace the clamp and secure the block in place.

8. Connect the blue wire with terminal labeled #53 to terminal block X28, terminal #A2. Connect the blue wire with terminal labeled #55 to terminal block X21, terminal #A1. Connect the blue wire with terminal labeled #515 to terminal block X15, terminal #D2. Connect the blue wire with terminal labeled #516 to terminal block X15, terminal #D3.

See Figure 2-81.

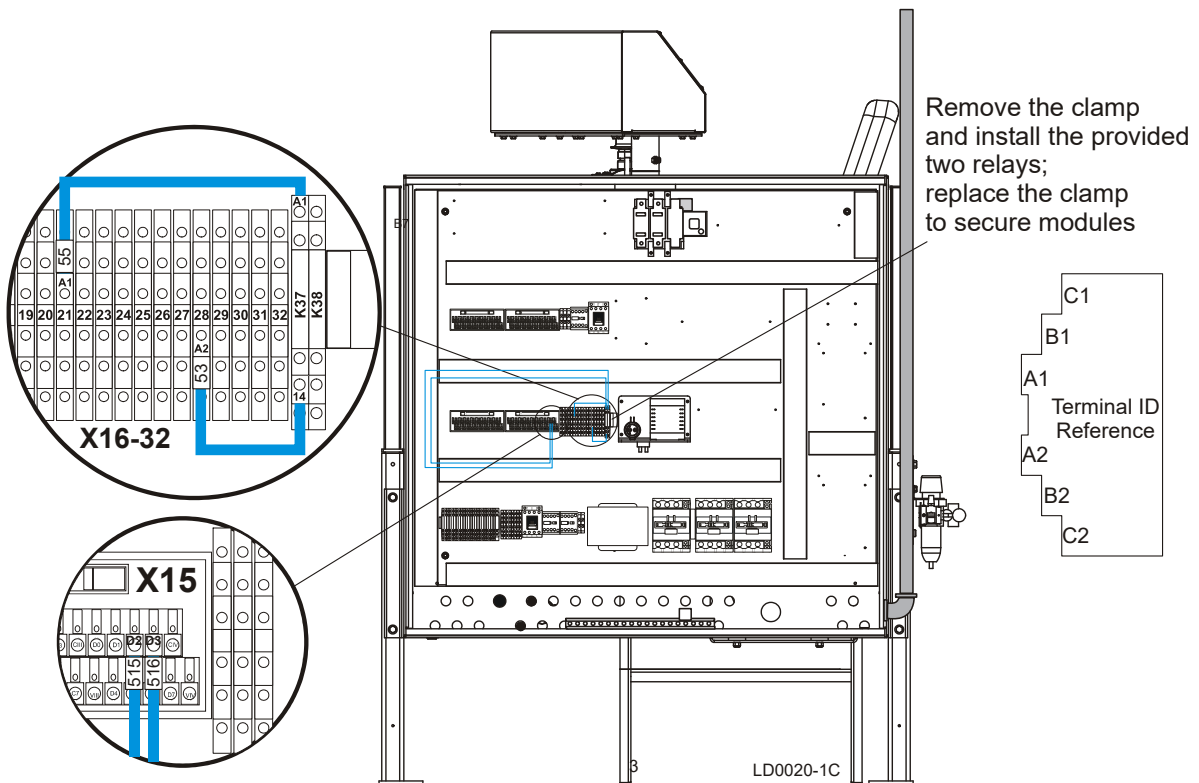


FIG. 2-81

9. Remove the wing nuts securing the two plug assemblies from the holes at the bottom of the electrical control cabinet. Remove the lock nuts from the connectors on the square plug cables labeled LDF and LDR. Install the LDF cable to the top hole in the control cabinet and secure the connector to the cabinet with the lock nut. Install the LDR cable to the bottom hole in the control cabinet and secure the connector to the cabinet with the lock nut.
10. Route the cables through the wireways toward the K37/K38 relays and the X38/X39 terminal blocks.
11. **Connect the LDF wires:** At relay module K37, connect the black wire labeled #168 to terminal #11. At terminal block X38, connect the black wire labeled #68 to terminal #A2. Connect the green ground wire to the ground terminal.
12. **Connect the LDR wires:** At relay module K38, connect the black wire labeled #167 to terminal #11. At terminal block X39, connect the black wire labeled #68 to terminal #A2. Connect the green ground wire to the ground terminal.

See Figure 2-82.

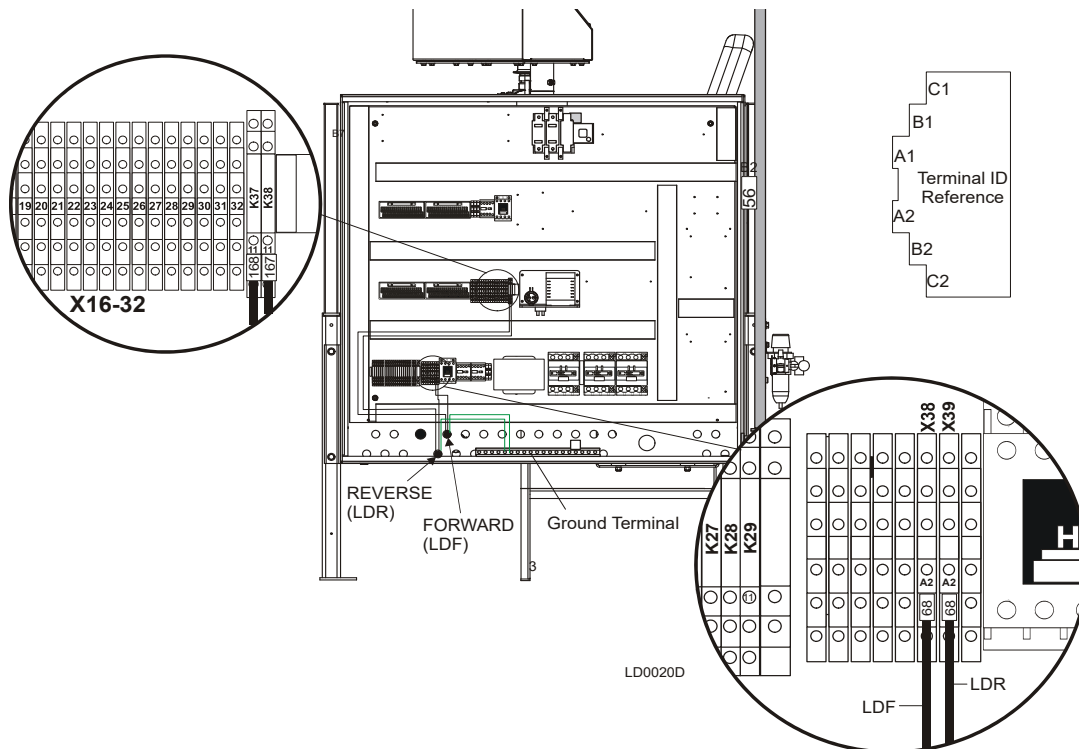


FIG. 2-82

13. Route the LDF and LDR cable to the hydraulic pump manifold. Locate the L3 and L11 cables stored near the manifold. If you had a log loader option, L3 and L11 are already connected to the first add-on valve. Connect the L3 cable to the top solenoid on the first valve. Connect the L11 cable to the bottom solenoid of the first valve. Connect the LDF cable to the top solenoid of the second valve. Connect the LDR cable to the bottom solenoid of the second valve.

See Figure 2-83.

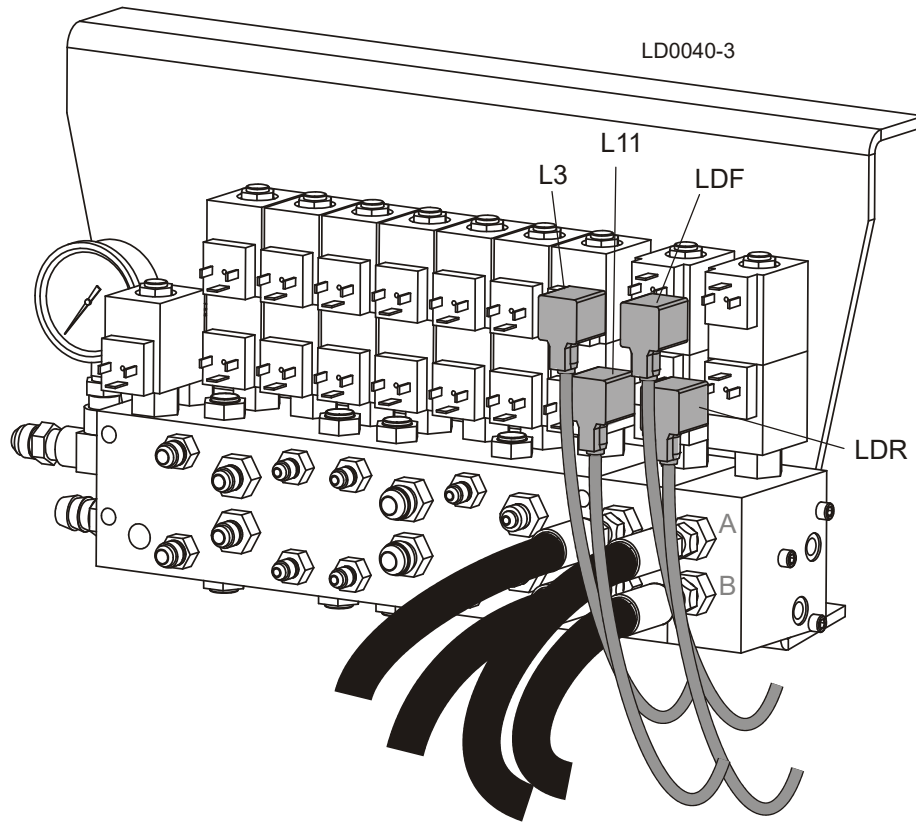


FIG. 2-83

14. Secure all hoses and cables out of the way to avoid damage from moving parts.

2.10 Log Deck Installation (WM4000)

Prepare a firm, level area where the Log Infeed Deck can be anchored. A cement pad with 1/2" diameter anchor bolts is recommended.

IMPORTANT! If the Log Deck is to be installed to the opposite side of the sawmill bed, it is required to order the WM4000 Log Loader Hydraulic Stop Kit (#074672) including all the necessary additional parts with the installation instruction sheet ([See Form #2072](#)).

2.10.1 Log Deck Installation

1. Place the log deck loader stop in position close to the sawmill frame as shown below.

See Figure 2-84.

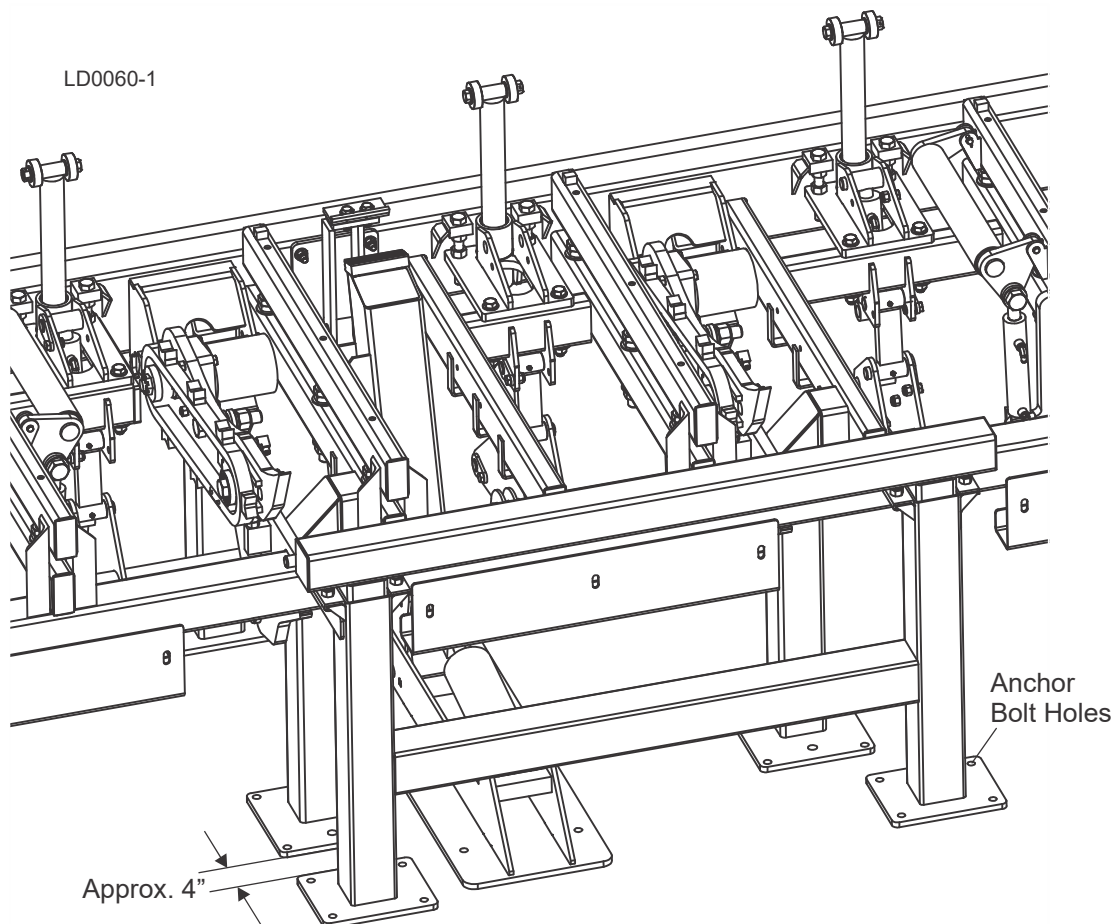


FIG. 2-84

2. Use 1/2" anchor bolts and nuts at each of the two foot locations to anchor the log deck loader stop to the floor. **NOTE:** Raise the loader stop to make the top of the loader stop level with the sawmill bed rails as necessary.
3. **Rev. B2.00+:** Position the log deck frame approximately 22 1/4" (565mm) away from the loader stop. The loader arms should rest on the loader stop when lowered.

See Figure 2-85.

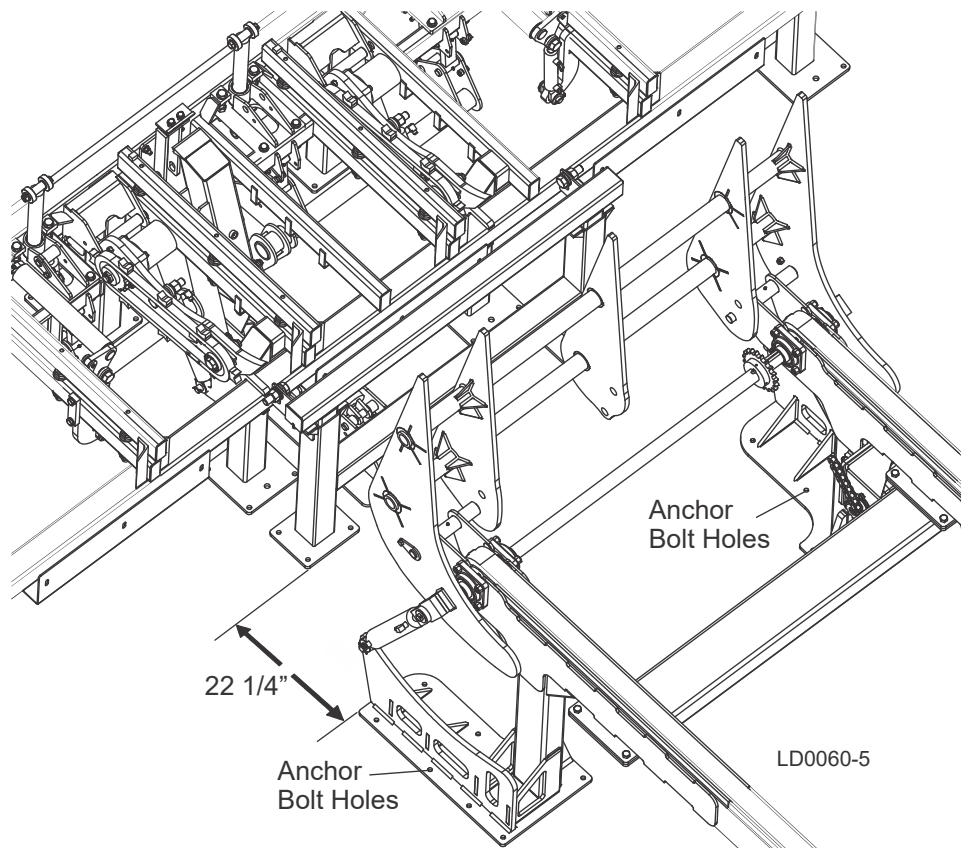


FIG. 2-85 REV. B2.00+

4. **Prior to Rev. B2.00:** Position the log deck frame approximately 40" (1m) away from the loader stop. The loader arms should rest on the loader stop when lowered.

See Figure 2-86.

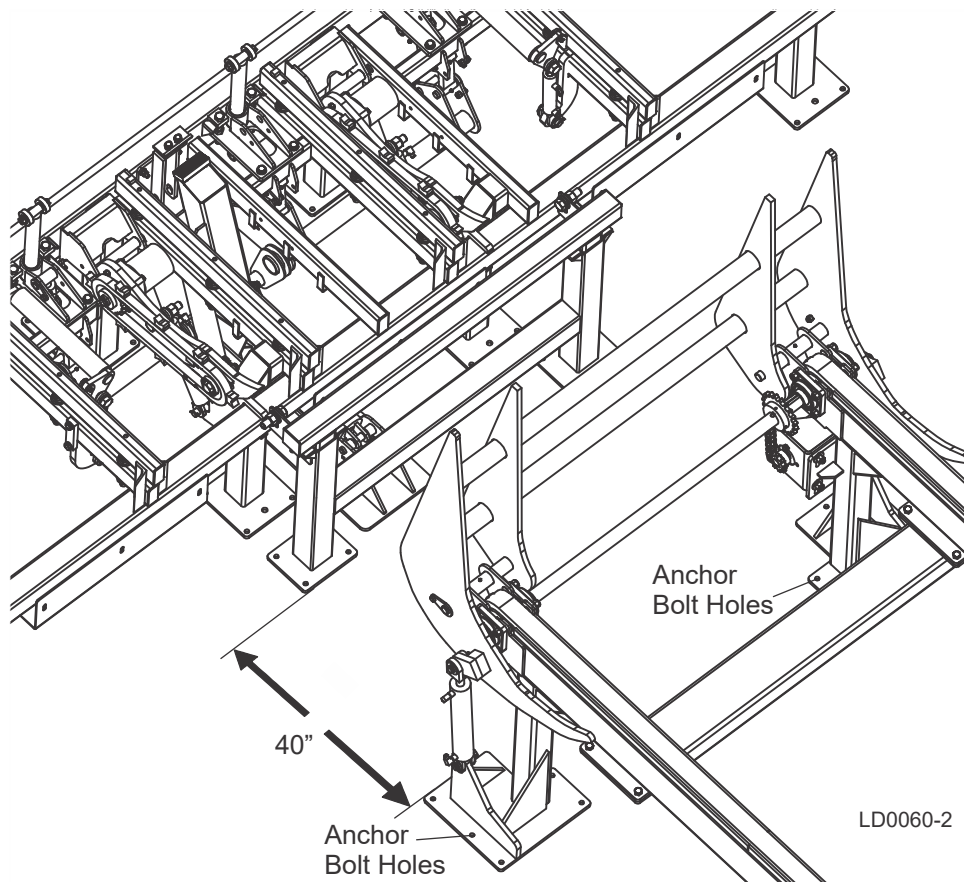


FIG. 2-86 PRIOR TO REV. B2.00

5. Use 1/2" anchor bolts and nuts at each of the foot locations to anchor the log deck frame to the floor.



WARNING! Securely fasten the feet of the Log Infeed Deck to the floor before operating the Log Infeed Deck. Failure to do so may result in serious injury or death.

2.10.2 Hydraulic Installation

1. Connect the provided 6' extension hoses to the log deck cylinders. Connect the top hoses from each cylinder to the provided 'T' fitting. Connect the bottom hoses from each cylinder to the other 'T' fitting. Connect the long hoses to the 'T' fittings as shown. Route the long hoses along the existing hoses to the pump valve manifold behind the operator station.

See Figure 2-87.

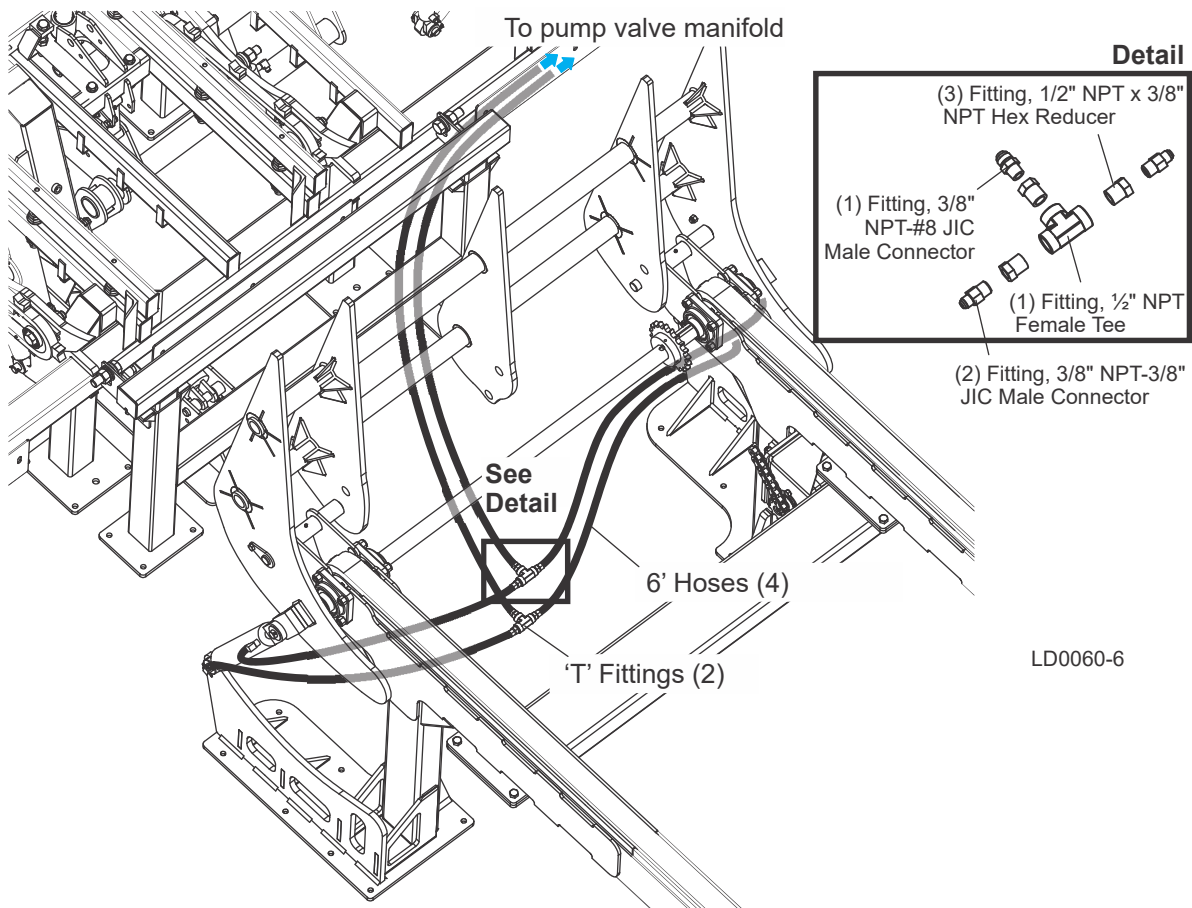


FIG. 2-87 REV. B2.00+

2 Operation & Setup

Hydraulic Installation

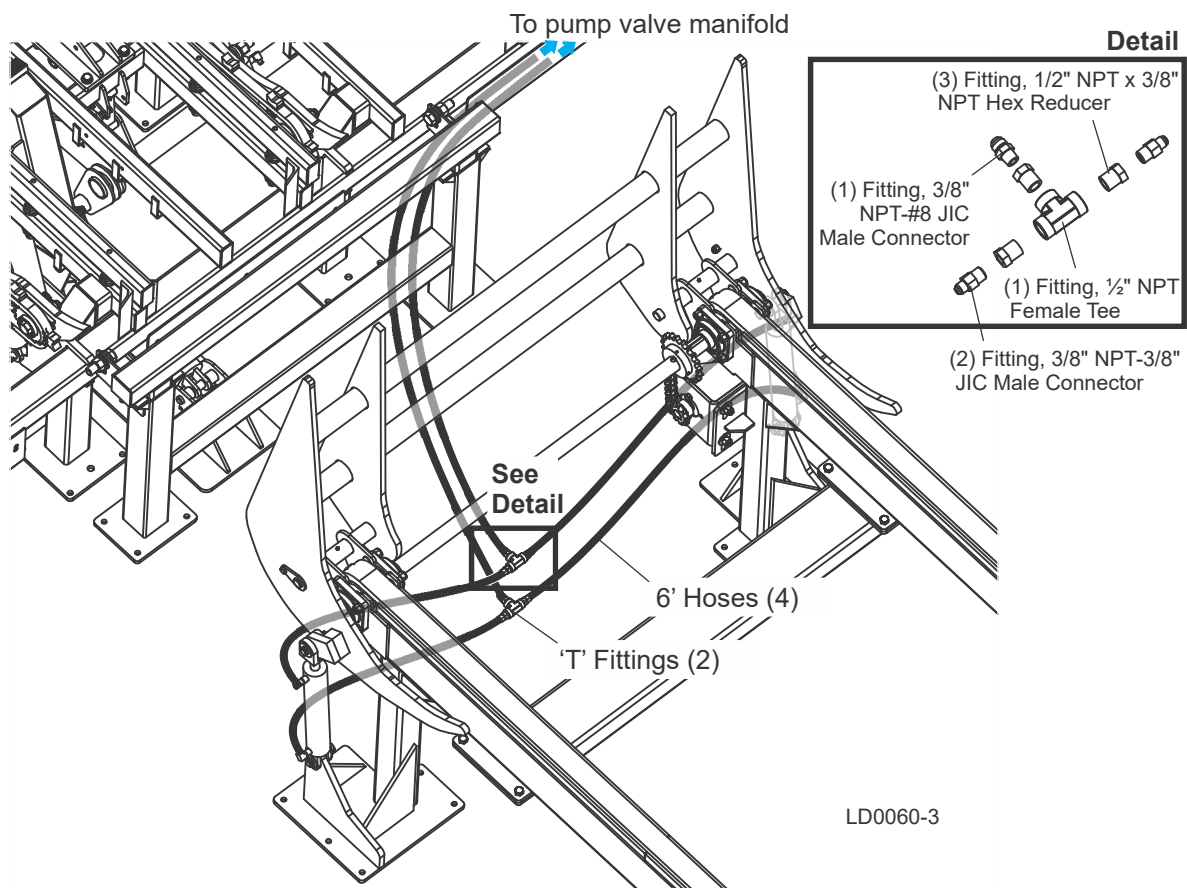


FIG. 2-87 PRIOR TO REV. B2.00

See **Figure 2-88**. Remove the two cover plates and the four plugs from the manifold located at the hydraulic power station.

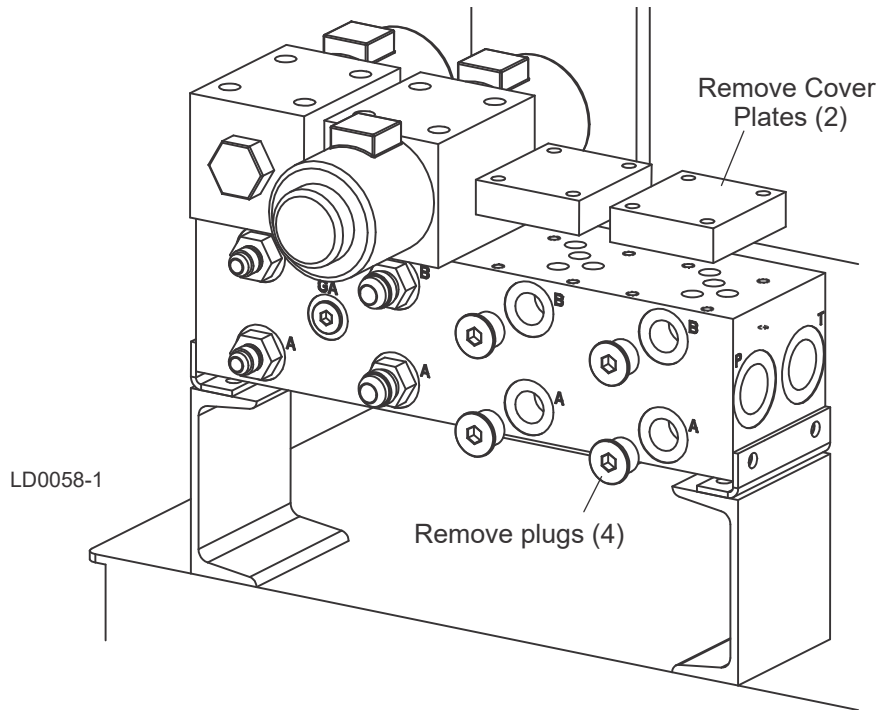


FIG. 2-88

2

Operation & Setup

Hydraulic Installation

See **Figure 2-89**. Install the provided fittings and the log deck hydraulic valves to the hydraulic manifold. **IMPORTANT!** Check the valve numbers located on top of the valves and make sure that the valves are installed correctly as shown below. Connect the hydraulic hoses from the Log Deck cylinders to the loading arms up/down hydraulic valve. Connect the hose from the top cylinder fittings to the top valve fitting and the hose from the bottom cylinder fittings to the bottom valve fitting. Connect the two provided log deck hydraulic motor hoses to the fittings on the chain forward/reverse hydraulic valve.

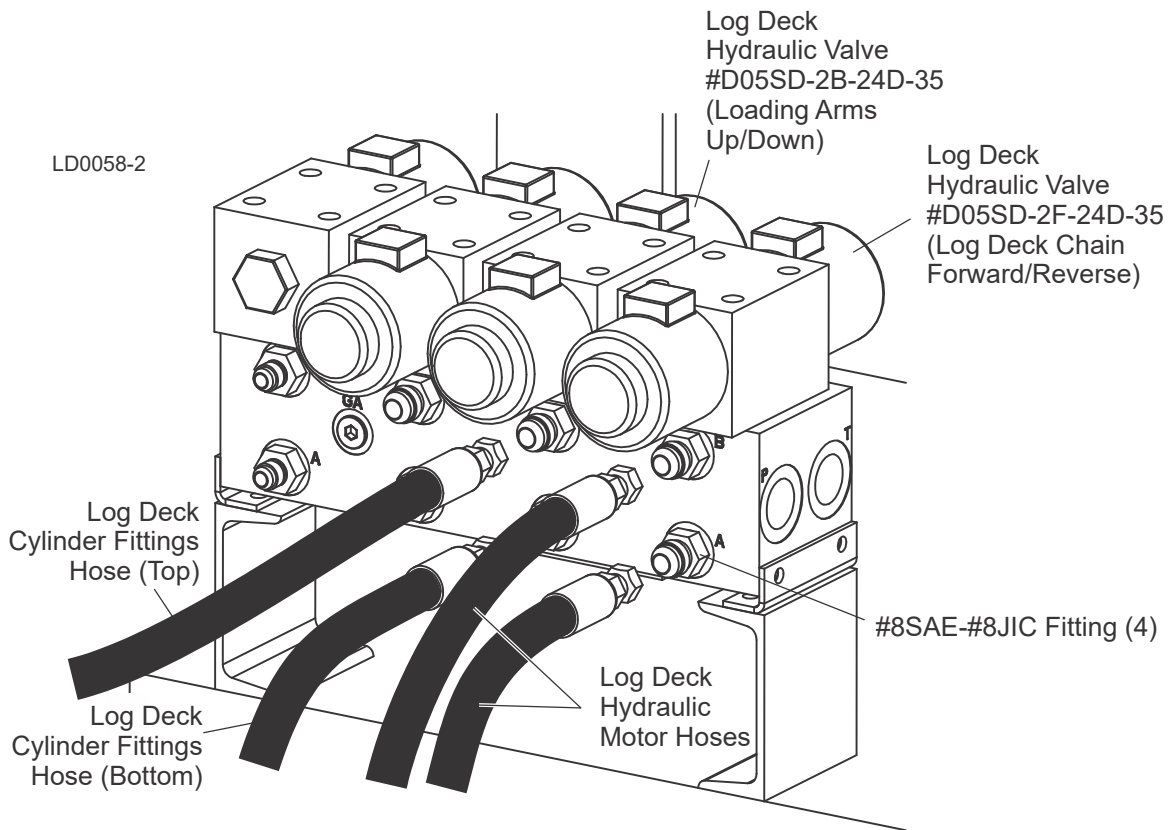


FIG. 2-89

2. Route the hydraulic motor hoses along the existing hydraulic hoses to the hydraulic drive motor on the log deck.

3. Replace the existing hydraulic motor fittings with the provided #10 SAE-#8 JIC fittings. Connect the hose from the valve fitting labeled #A to the hydraulic motor fitting labeled #A. Connect the hose from the valve fitting labeled #B to the hydraulic motor fitting labeled #B.

See Figure 2-90.

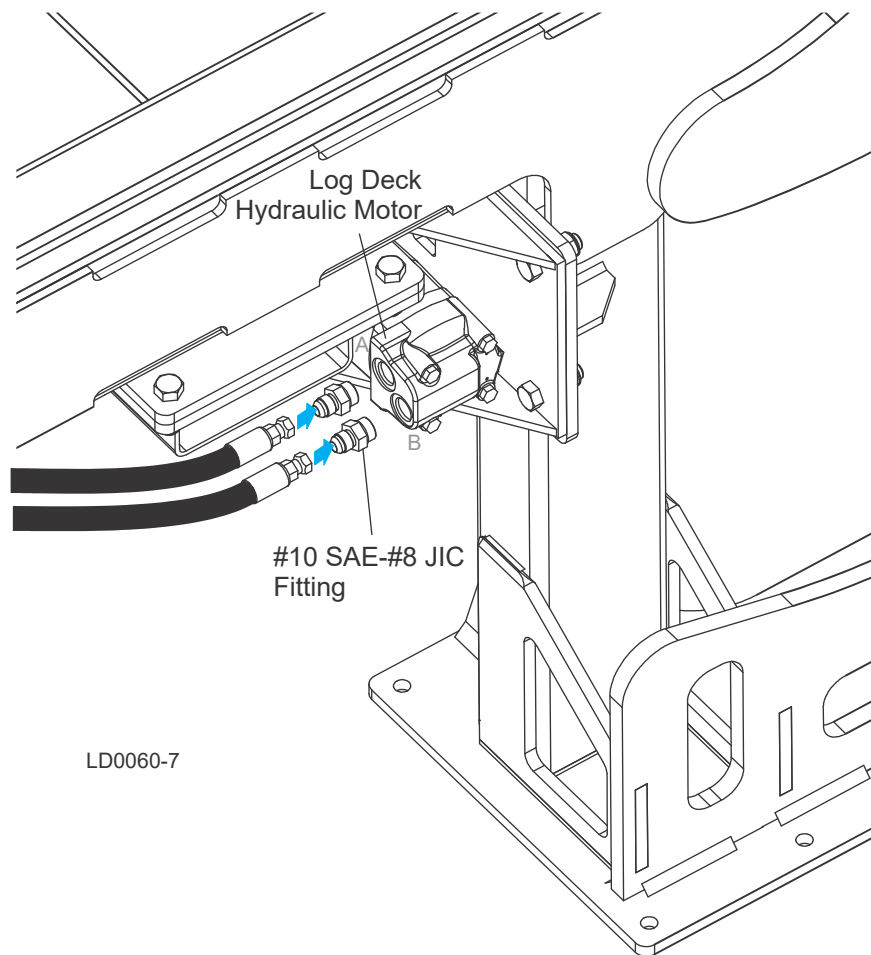
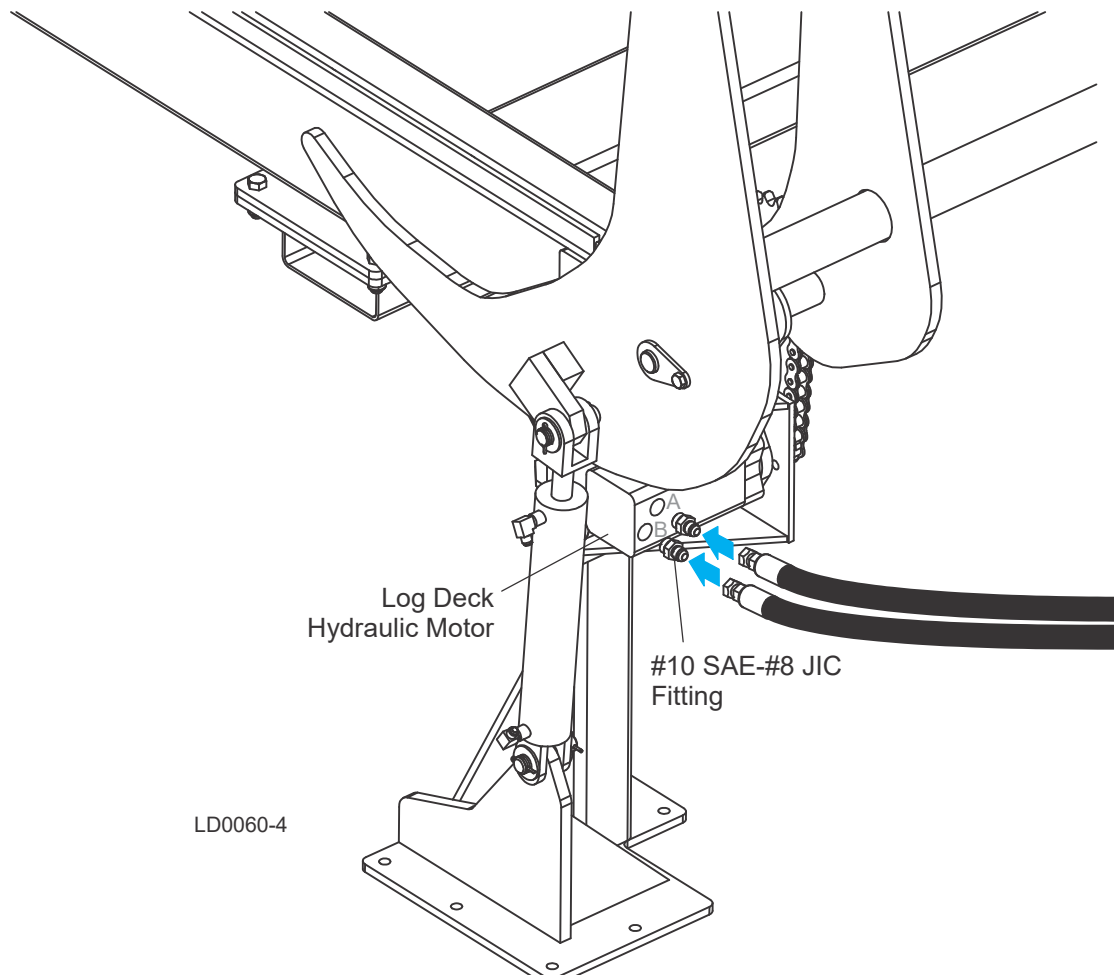


FIG. 2-90 REV. B2.00+

**FIG. 2-90 PRIOR TO REV. B2.00**

4. Secure all the hydraulic hoses to the existing hoses along the sawmill bed with the provided tie wraps.

2.10.3 Electrical Installation



DANGER! Make sure all electrical installation, service and/or maintenance work is performed by a qualified electrician and is in accordance with applicable electrical codes.



WARNING! Consider all electrical circuits energized and dangerous.

WARNING! Never assume or take the word of another person that the power is off; check it out and lock it out.

WARNING! Do not wear rings, watches, or other jewelry while working around an open electrical circuit.

WARNING! Before performing service near moving parts such as blades, pulleys, motors, belts and chains, make sure the unit is not in use. If the unit is operated and moving parts activated, serious injury may result.

1. Disconnect the power from the machine. Lock and tag out the machine prior to performing this procedure.
2. Remove the two plugs from the holes at the bottom of the control box.

See Figure 2-91.

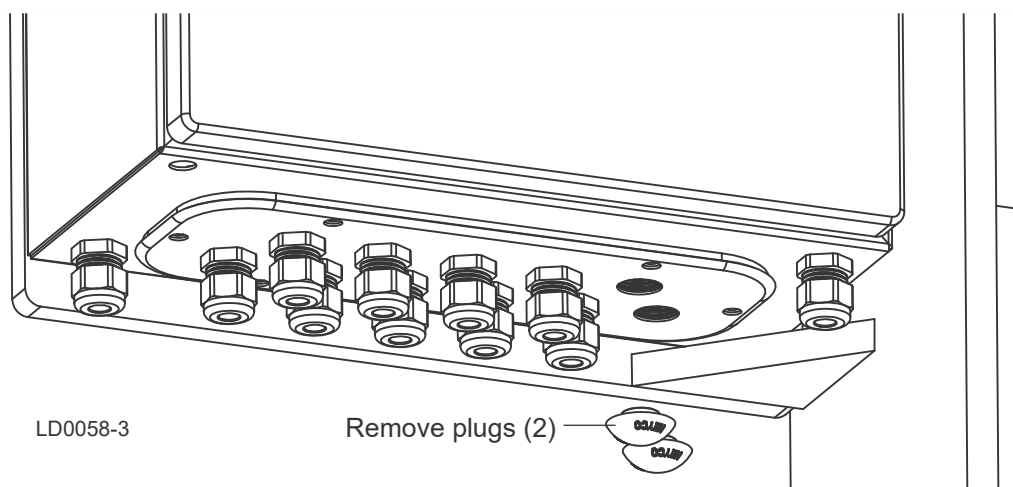


FIG. 2-91

2

Operation & Setup

Electrical Installation

3. Unlock and open the hydraulic control box on the hydraulic power station. Install the two provided cable connectors to the bottom holes and secure with the provided nylon lock nuts.

See Figure 2-92.

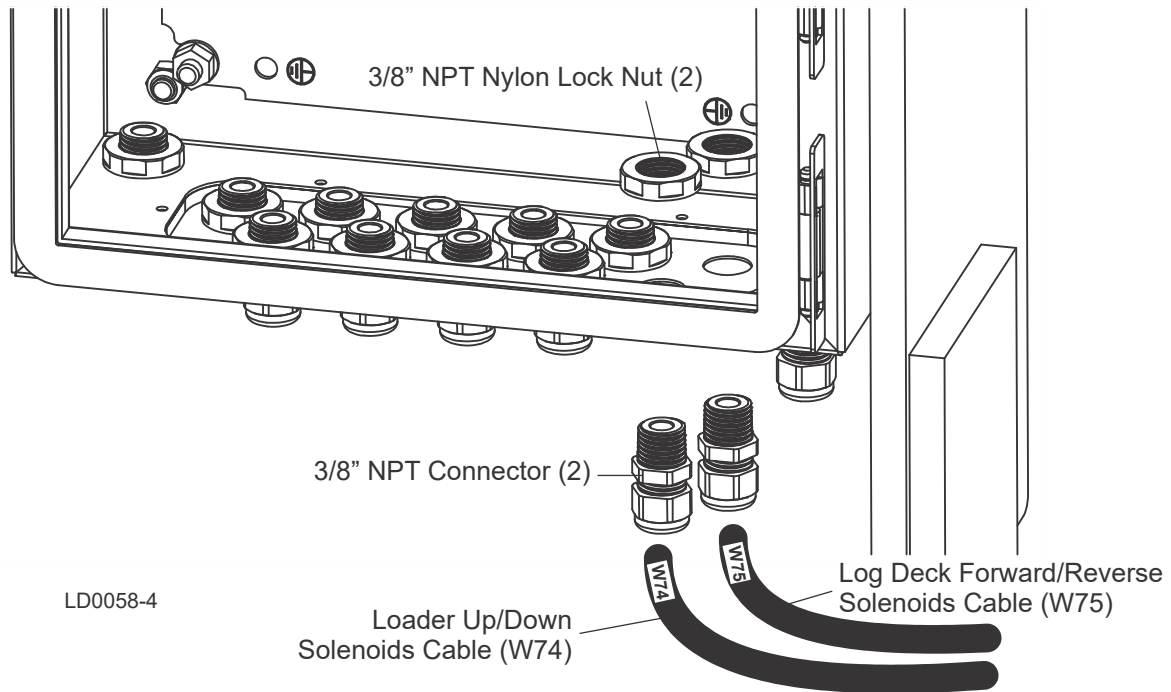


FIG. 2-92

4. Route the two provided cables labeled W74 and W75 through the connectors at the bottom of the hydraulic box.

- 5. WM4000 Rev. A3.00+: Connect the W74 cable wires:** At X7 terminal block, connect the wire labeled #543 to terminal 23.1:2. Connect the wire labeled #544 to terminal 23.2:2. Connect the wire labeled #53A to terminal 9.3. Connect the green/yellow ground wire to terminal 4.3.

See Figure 2-93.

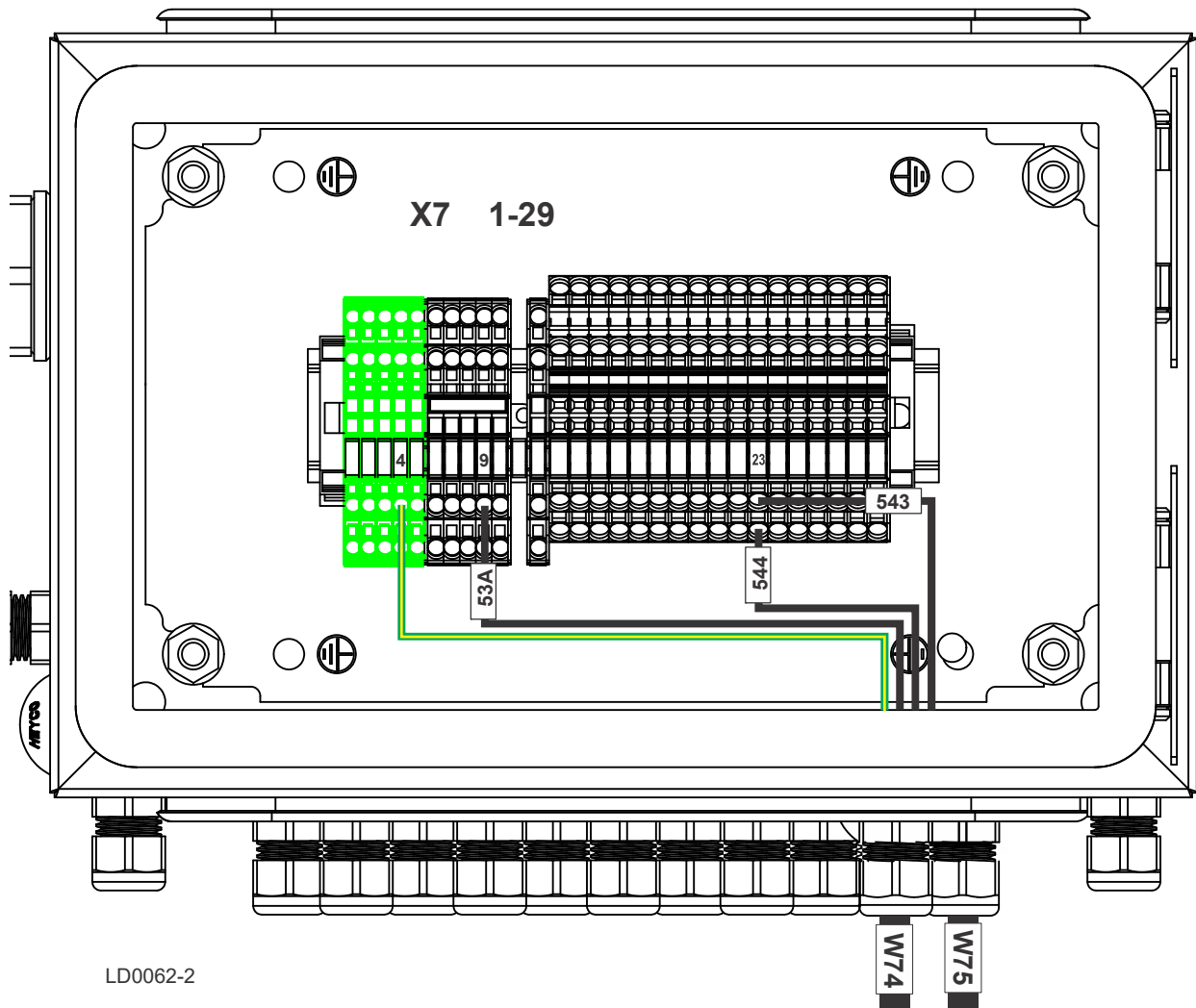
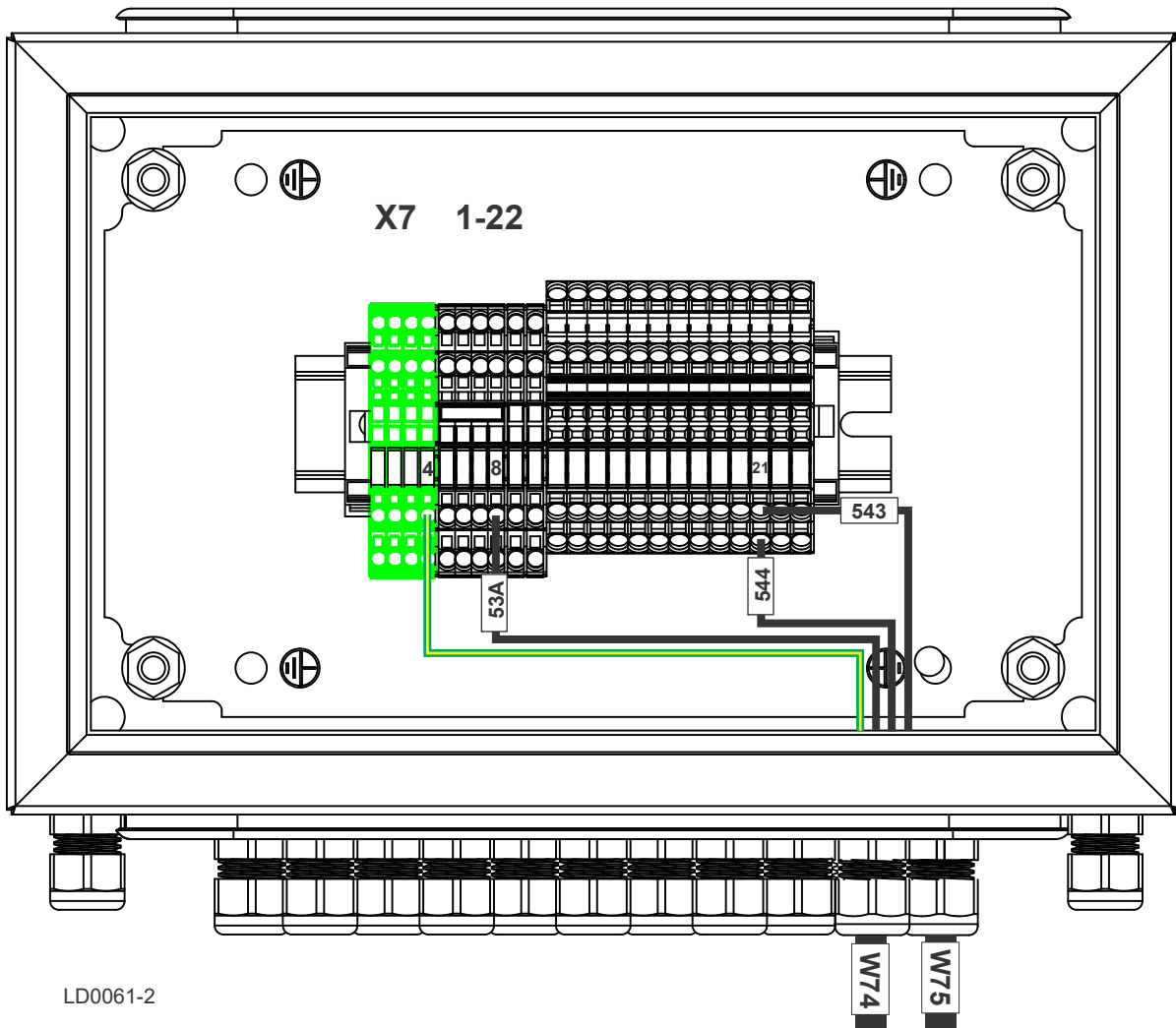


FIG. 2-93 WM4000 REV. A3.00+

- WM4000 Rev. A1.00 - A2.00: Connect the W74 cable wires:** At X7 terminal block, connect the wire labeled #543 to terminal 21.1:2. Connect the wire labeled #544 to terminal 21.2:2. Connect the wire labeled #53A to terminal 8.3. Connect the green/yellow ground wire to terminal 4.3.

See Figure 2-94.



LD0061-2

FIG. 2-94 WM4000 REV. A1.00 - A2.00

7. **WM4000 Rev. A3.00+: Connect the W75 cable wires:** At X7 terminal block, connect the wire labeled #545 to terminal 24.1:2. Connect the wire labeled #546 to terminal 24.2:2. Connect the wire labeled #53A to terminal 6.4. Connect the green/yellow ground wire to terminal 1.4.

See Figure 2-95.

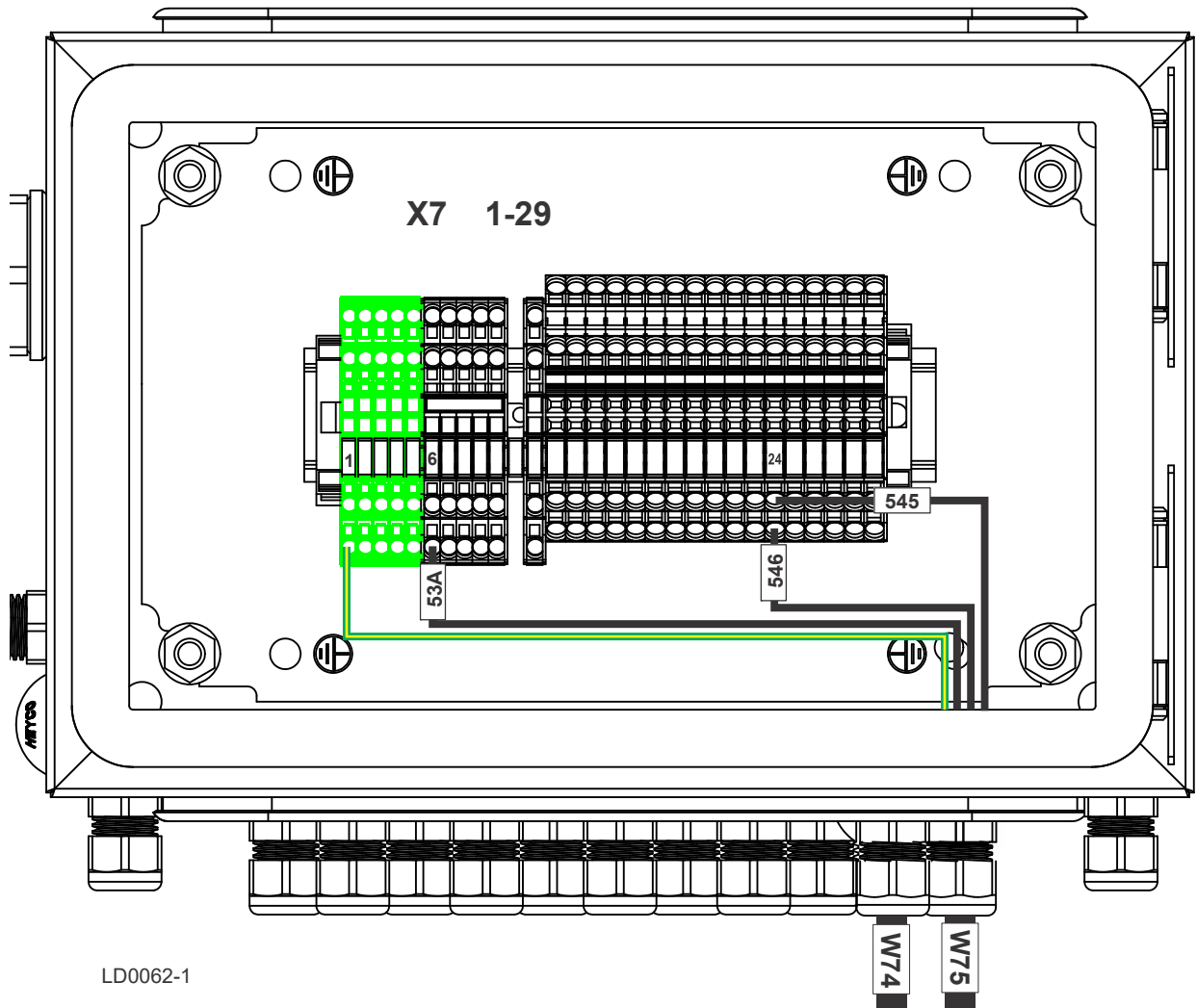


FIG. 2-95 WM4000 REV. A3.00+

2

Operation & Setup

Electrical Installation

- 8. WM4000 Rev. A1.00 - A2.00: Connect the W75 cable wires:** At X7 terminal block, connect the wire labeled #545 to terminal 22.1:2. Connect the wire labeled #546 to terminal 22.2:2. Connect the wire labeled #53A to terminal 5.4. Connect the green/yellow ground wire to terminal 1.4.

See Figure 2-96.

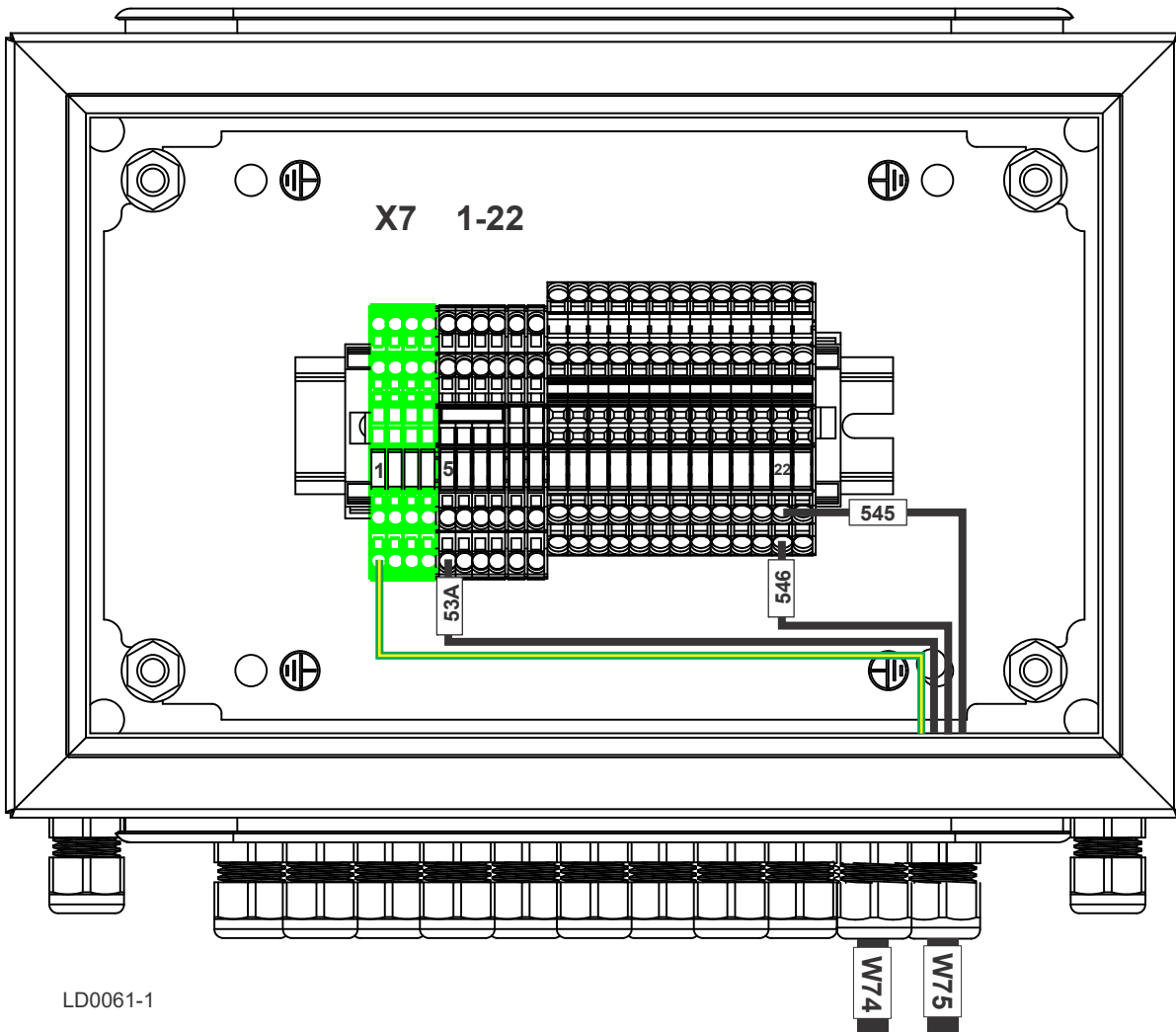


FIG. 2-96 WM4000 REV. A1.00 - A2.00

- Route the W74 and W75 cables from the hydraulic control box to the hydraulic valves. Connect the W74 cable to the solenoids on the log deck loading arms valve. Connect the W75 cable to the solenoids on the log deck chain forward/reverse valve.

See Figure 2-97.

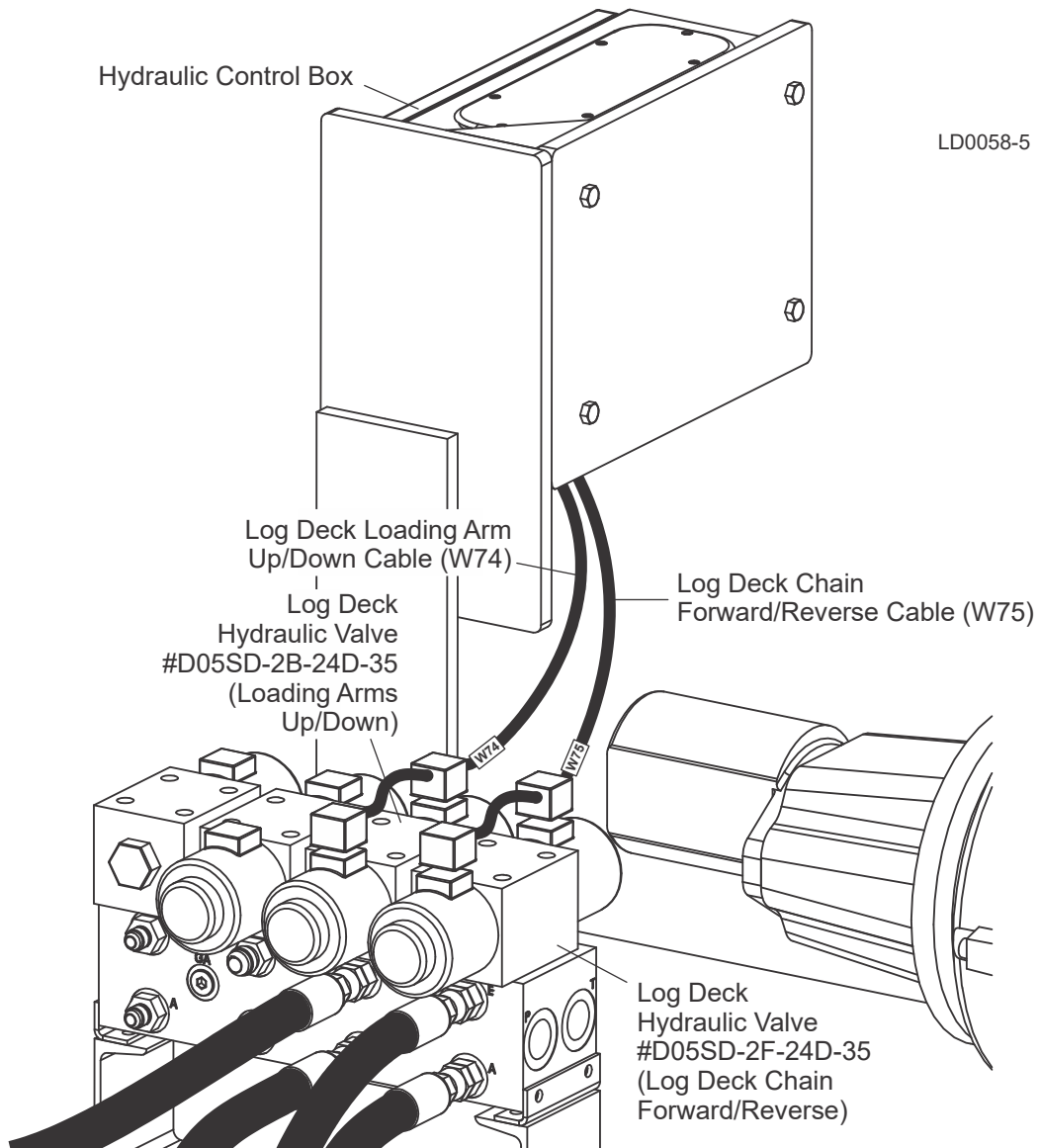


FIG. 2-97

- Use the provided tie wraps to secure the cables to the existing hydraulic control box cables.

2.11 Operation (All Supers & LT60HD/70HD non-Remote)



DANGER! Always be aware of and take proper protective measures against rotating shafts, pulleys, fans, etc. Always stay a safe distance from rotating members and make sure that loose clothing or long hair does not engage rotating members resulting in possible injury.



WARNING! Keep all persons out of the path of moving equipment and logs while operating log deck. Failure to do so may result in serious injury or death.



CAUTION! Never drop logs onto the log deck from a height more than 6" (15 mm) when loading. Failure to do so may result in damage to the log deck.

After the Log Infeed Deck is installed, you can start to operate the unit. Use the loader joystick and toggle switch to control the log deck functions.

Push the toggle switch up to operate the log deck loader. Push the loader joystick up to lower the log loader, push it down to raise the log loader.

Push the toggle switch down to operate the log deck chains. Push the loader joystick up to move logs on the deck chain toward the sawmill. Push it down to move logs away from the sawmill.

See Figure 2-98.

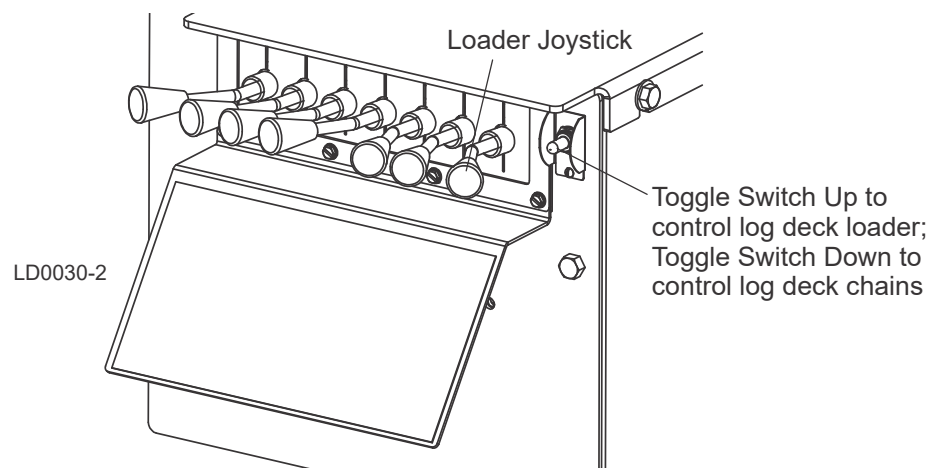


FIG. 2-98

2.12 Operation (LT70HD Super)

! **DANGER!** Always be aware of and take proper protective measures against rotating shafts, pulleys, fans, etc. Always stay a safe distance from rotating members and make sure that loose clothing or long hair does not engage rotating members resulting in possible injury.

! **WARNING!** Keep all persons out of the path of moving equipment and logs while operating log deck. Failure to do so may result in serious injury or death.

! **CAUTION!** Never drop logs onto the log deck from a height more than 6" (15 mm) when loading. Failure to do so may result in damage to the log deck.

Press the left joystick trigger to place the control in Bed Mode. Use the 4-way switch on the right hand joystick to move logs on the deck chain. Push the 4-way switch to the left to move logs on the deck chain toward the sawmill, push the 4-way switch to the right to move logs away from the sawmill. Move the left joystick to the left to raise the log loader, move the left joystick to the right to lower the log loader.

See Figure 2-99.

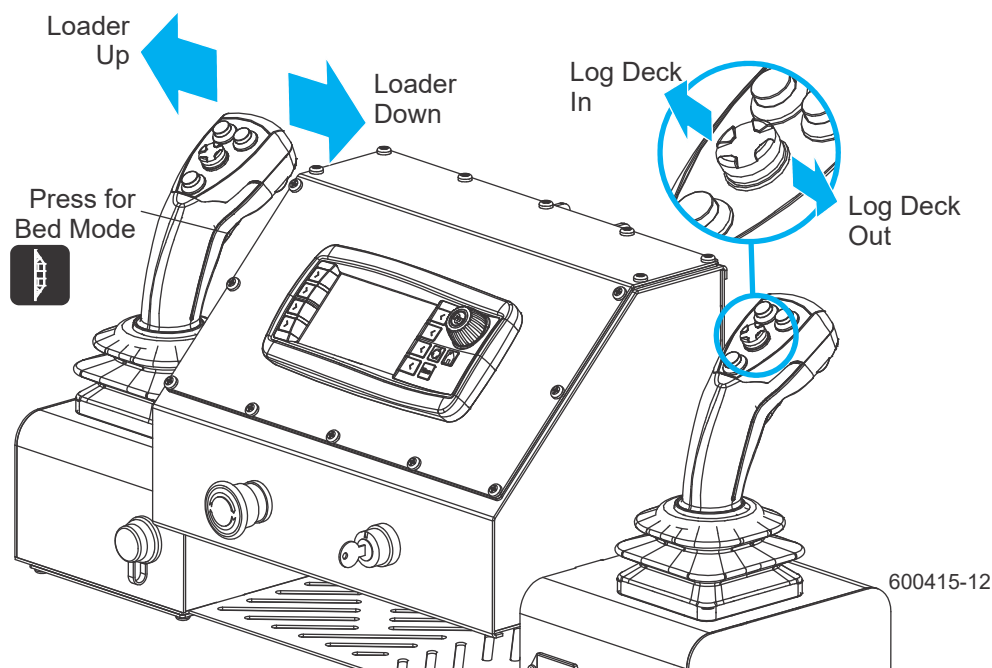


FIG. 2-99

2.13 Operation (LT70HD DCS)



DANGER! Always be aware of and take proper protective measures against rotating shafts, pulleys, fans, etc. Always stay a safe distance from rotating members and make sure that loose clothing or long hair does not engage rotating members resulting in possible injury.



WARNING! Keep all persons out of the path of moving equipment and logs while operating log deck. Failure to do so may result in serious injury or death.



CAUTION! Never drop logs onto the log deck from a height more than 6" (15 mm) when loading. Failure to do so may result in damage to the log deck.

After the Log Infeed Deck is installed, push the UP button while in Manual Mode to enter User Configuration screen. Select the System Options menu and push the CHECK button to enter.

See Figure 2-100.

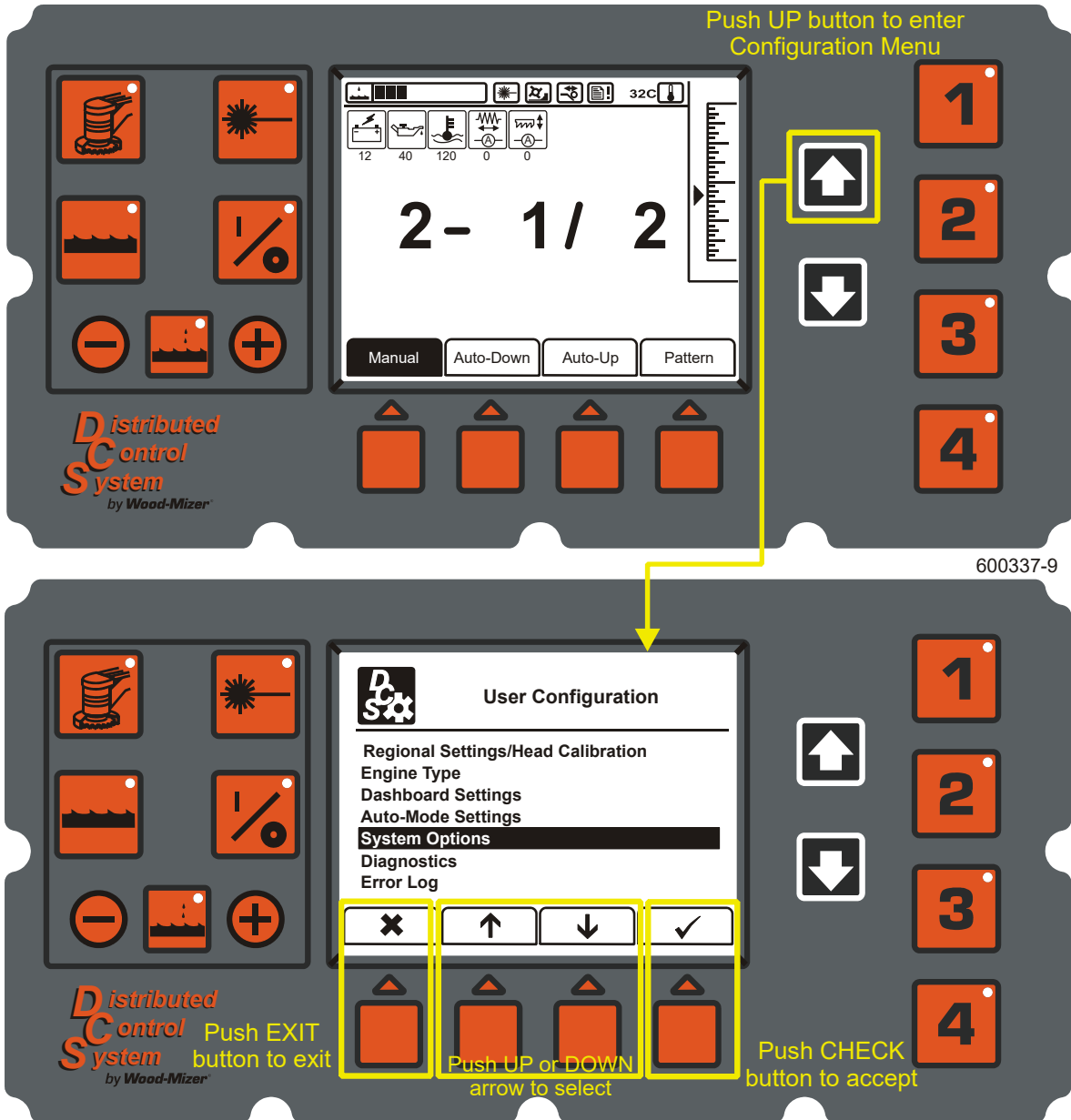


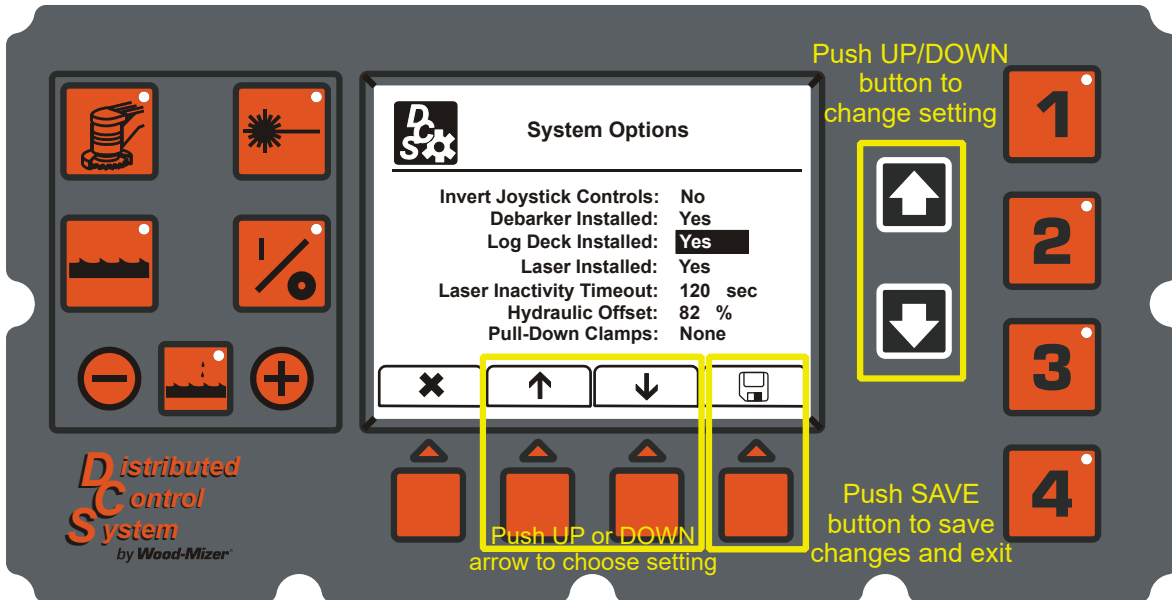
FIG. 2-100

2

Operation & Setup Operation (LT70HD DCS)

Use the UP/DOWN arrows at the bottom to select the Log Deck Installed setting. Use the side UP/DOWN buttons to change the setting to Yes. Push the SAVE button to save the changes and exit.

See Figure 2-101.



600337-10

FIG. 2-101

Press and hold the left joystick bottom button to place the DCS Control in Bed Mode #2. Move the right joystick to the left to move logs on the deck chain toward the sawmill, move the right joystick to the right to move logs away from the sawmill.

See Figure 2-102.

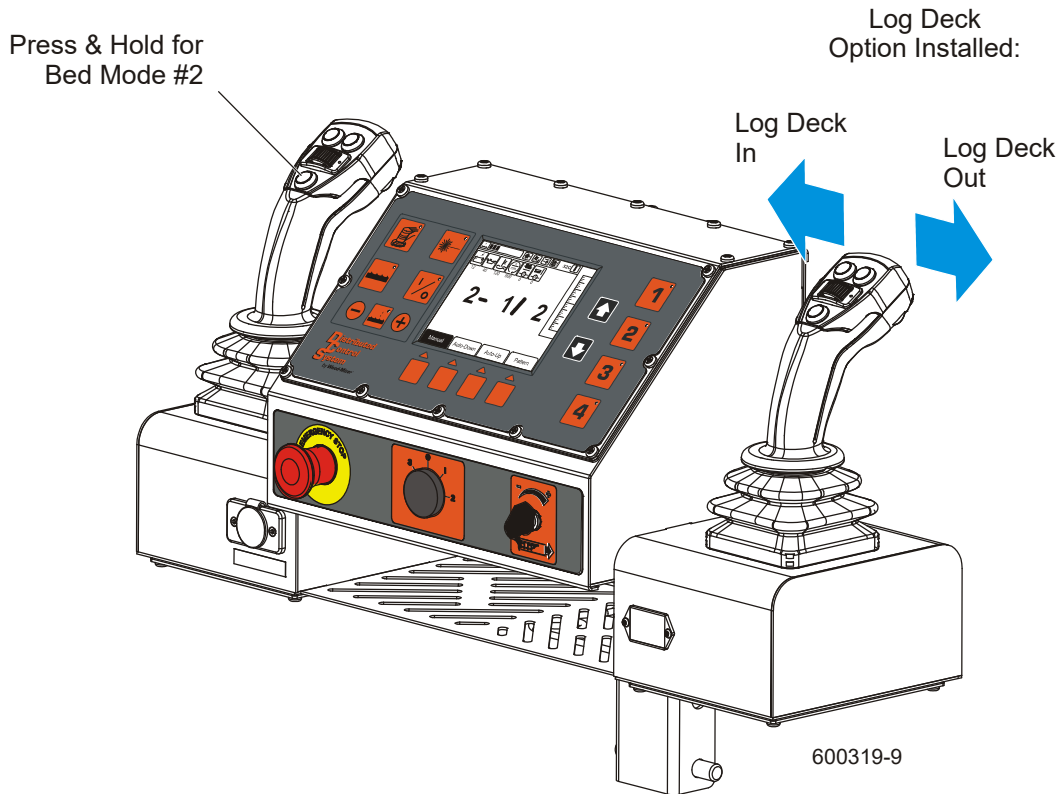


FIG. 2-102

2

Operation & Setup *Operation (LT70HD DCS)*

Press and hold the right joystick bottom button to place the DCS Control in Bed Mode #1. Move the right joystick to the left to raise the log loader, move the right joystick to the right to lower the log loader.

See Figure 2-103.

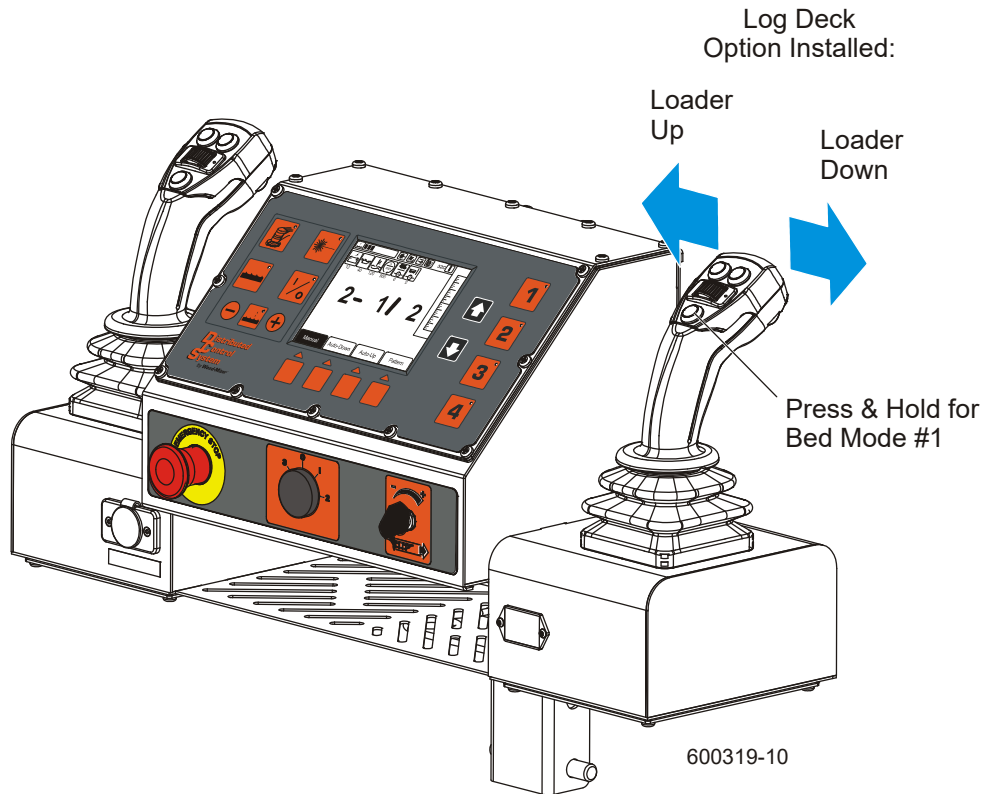


FIG. 2-103

2.14 Operation (LT70HD Remote)

DANGER! Always be aware of and take proper protective measures against rotating shafts, pulleys, fans, etc. Always stay a safe distance from rotating members and make sure that loose clothing or long hair does not engage rotating members resulting in possible injury.

WARNING! Keep all persons out of the path of moving equipment and logs while operating log deck. Failure to do so may result in serious injury or death.

CAUTION! Never drop logs onto the log deck from a height more than 6" (15 mm) when loading. Failure to do so may result in damage to the log deck.

After the Log Infeed Deck is installed, you can start to operate the unit. Use the loader and log deck joysticks to control the log deck functions.



Push the loader joystick up to lower the log loader, push it down to raise the log loader.



Push the log deck joystick up to move logs on the deck chain toward the sawmill. Push it down to move logs away from the sawmill.

See Figure 2-104.

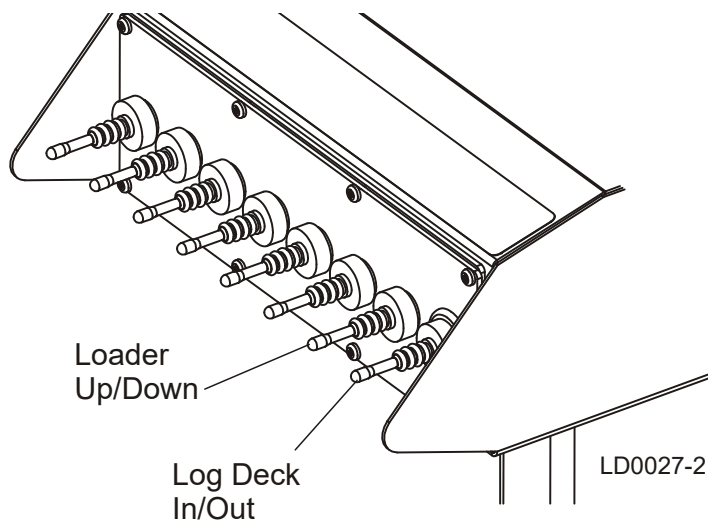


FIG. 2-104

2.15 Operation (LT300/WM3000/WM3500)



DANGER! Always be aware of and take proper protective measures against rotating shafts, pulleys, fans, etc. Always stay a safe distance from rotating members and make sure that loose clothing or long hair does not engage rotating members resulting in possible injury.



WARNING! Keep all persons out of the path of moving equipment and logs while operating log deck. Failure to do so may result in serious injury or death.



CAUTION! Never drop logs onto the log deck from a height more than 6" (15 mm) when loading. Failure to do so may result in damage to the log deck.

After the Log Infeed Deck is installed, you can start to operate the unit. Use the right joystick to control the log handling functions. Push the top button on the left joystick to change to bed mode. While in bed mode, push the joystick forward to lower the log loader, pull it back to raise the log loader.

See Figure 2-105.

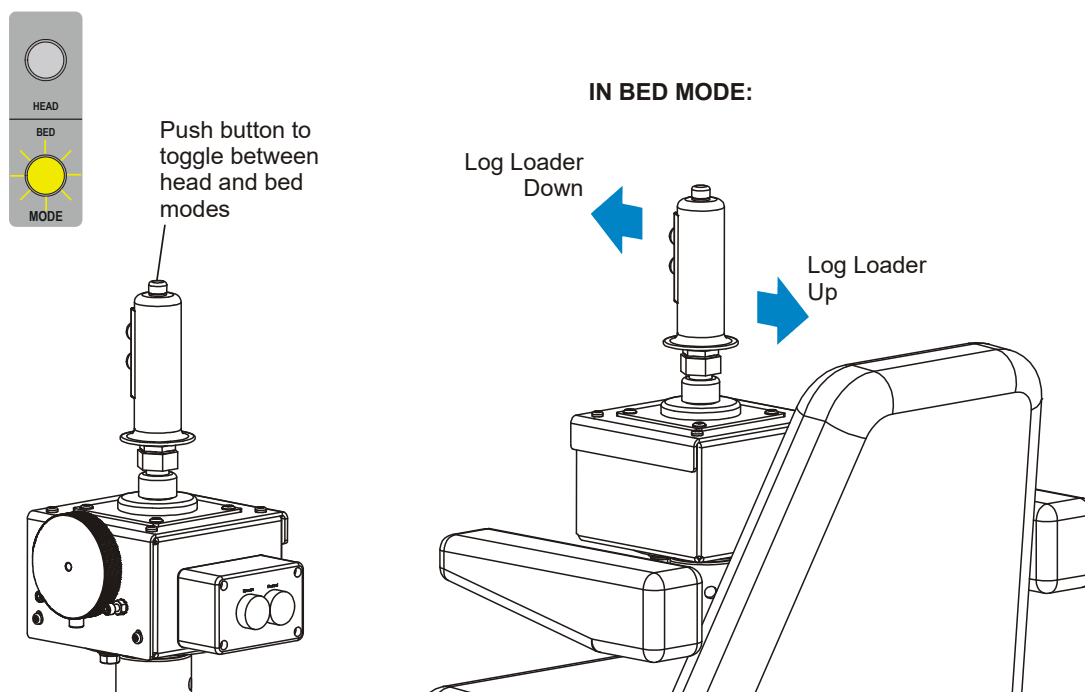


FIG. 2-105

The push button control station starts and stops the log deck hydraulic drive chain. Press the FORWARD button to move the log toward the sawmill bed, release the button to stop the log. Press the REVERSE button to move the log backward. Release the REVERSE button to stop the log deck feed chain. **NOTE:** Push the START button located on the sawmill control box to turn on electrical power to the machine. The push button control station activates the log deck feed chain only when the sawmill is powered on.

See Figure 2-106.

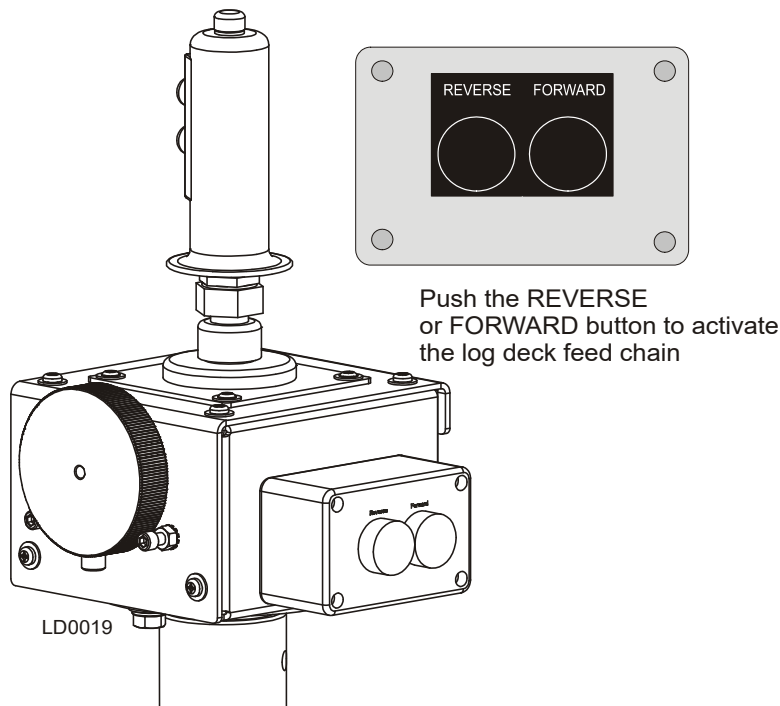


FIG. 2-106

2.16 Operation (WM4000)



DANGER! Always be aware of and take proper protective measures against rotating shafts, pulleys, fans, etc. Always stay a safe distance from rotating members and make sure that loose clothing or long hair does not engage rotating members resulting in possible injury.



WARNING! Keep all persons out of the path of moving equipment and logs while operating log deck. Failure to do so may result in serious injury or death.



CAUTION! Never drop logs onto the log deck from a height more than 6" (15 mm) when loading. Failure to do so may result in damage to the log deck.

After the Log Infeed Deck is installed, you can start to operate the unit. Use the left joystick to control the log handling functions. Press the rear switch of the left joystick to change to bed mode. While in bed mode, press the thumbstick forward to raise the loading arms, press it down to lower the loading arms. Press the thumbstick left to make the log deck chains move backward. Press the thumbstick right to make the log deck chains move forward.

See Figure 2-107.

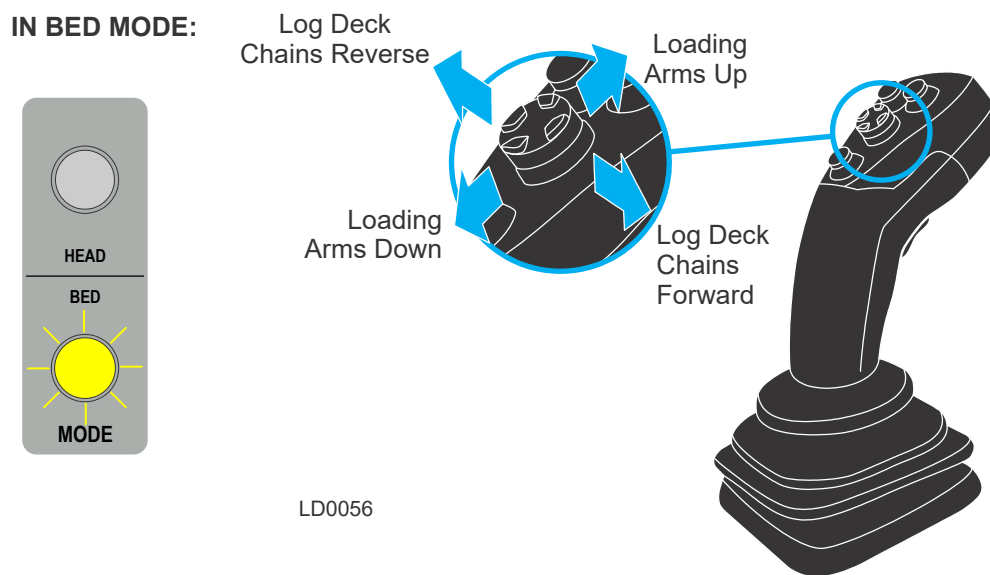


FIG. 2-107

SECTION 3 HYDRAULIC INFORMATION

3.1 Hydraulic Schematics

All Supers & LT70HD non-Remote

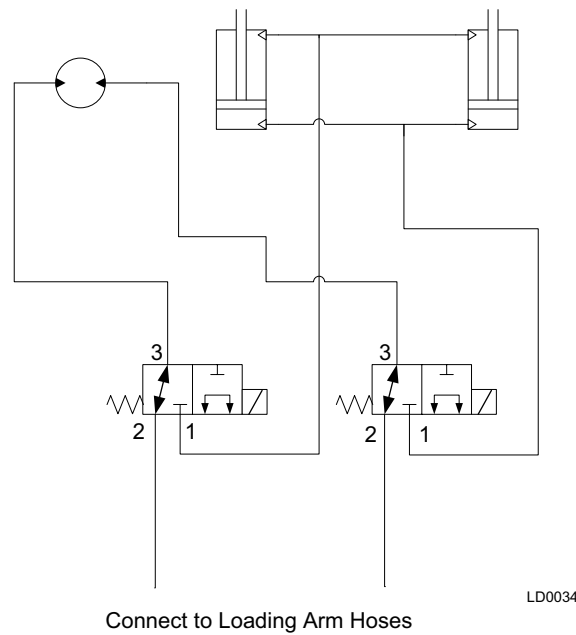


FIG. 3-1 SUPER/LT60HD/LT70HD NON-REMOTE

LT70HD Remote & LT70HD DCS

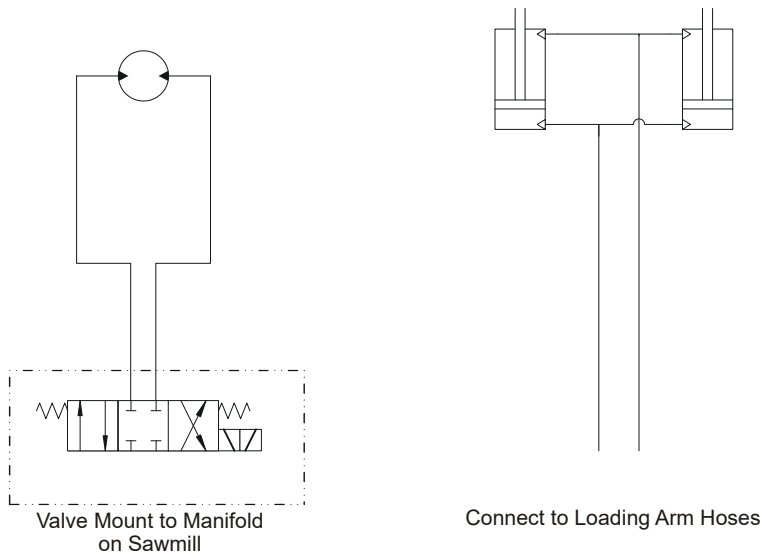


FIG. 3-2 LT70HD REMOTE & LT70HD DCS

LT 300

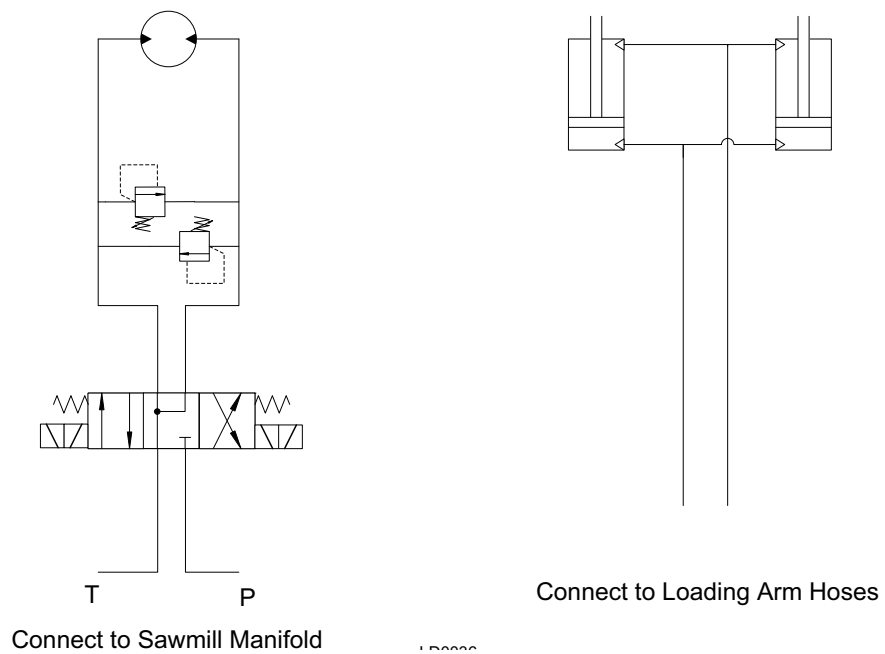


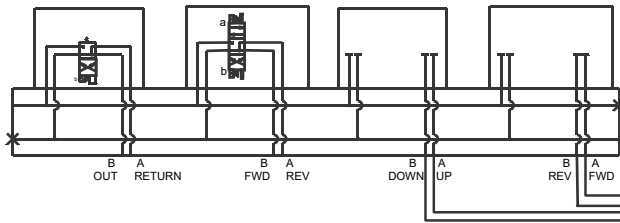
FIG. 3-3 LT300/WM3000/WM3500

WM4000

LD0059

Log Deck Option

Loading Arms	Log Deck Feed Motor
Valve #D05SD -2B-24D-35	Valve #D05SD -2F-24D-35



Log Deck Option

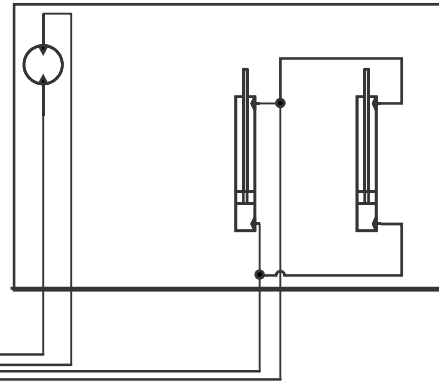


FIG. 3-4 WM4000

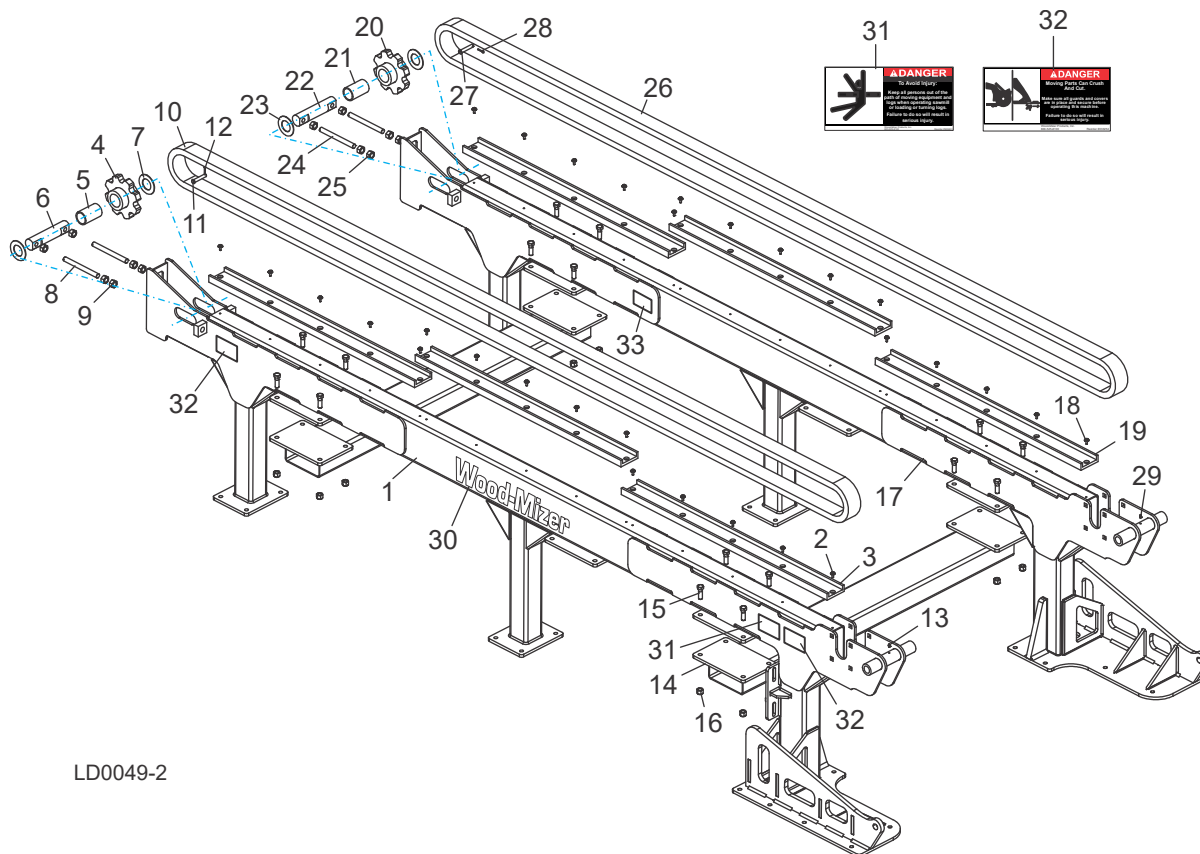
4 Replacement Parts

Rail Assembly, 12-Foot Right & Left

SECTION 4 REPLACEMENT PARTS

4.1 Rail Assembly, 12-Foot Right & Left

Rev. B2.00+



LD0049-2

REF	DESCRIPTION (◆ Indicates Parts Available In Assemblies Only)	PART #	QTY.
	RAIL ASSEMBLY, 12-FEET RIGHT (LD12-1)	065856	1
	RAIL ASSEMBLY, 12-FEET RIGHT (LD12)	065930	1
1	Tube Weldment, 12-Foot Infeed Deck Main Right (LD12-1)	065854	1
	Tube Weldment, 12-Foot Infeed Deck Main Right (LD12)	065928	1
2	Bolt, 1/4-20 x 3/4" Hex Head w/Washer&Patch	F05005-207	15
3	Channel, UHMW Conveyor	033722	3
	Sprocket Assembly, Idler WR7808	033715	1
4	Sprocket Weldment, Idler WR7808	036717	1
5	Bushing, 1 15/16" x 2 5/16" x 3 3/4" Bronze	036708	1
6	Shaft, Chain Idler	033718	1
7	Washer, 1.95" ID X 4" OD X .078"	033735	2
8	Stud, 3/4-16 X 7 3/4" Threaded	017642	2

Replacement Parts 4

Rail Assembly, 12-Foot Right & Left

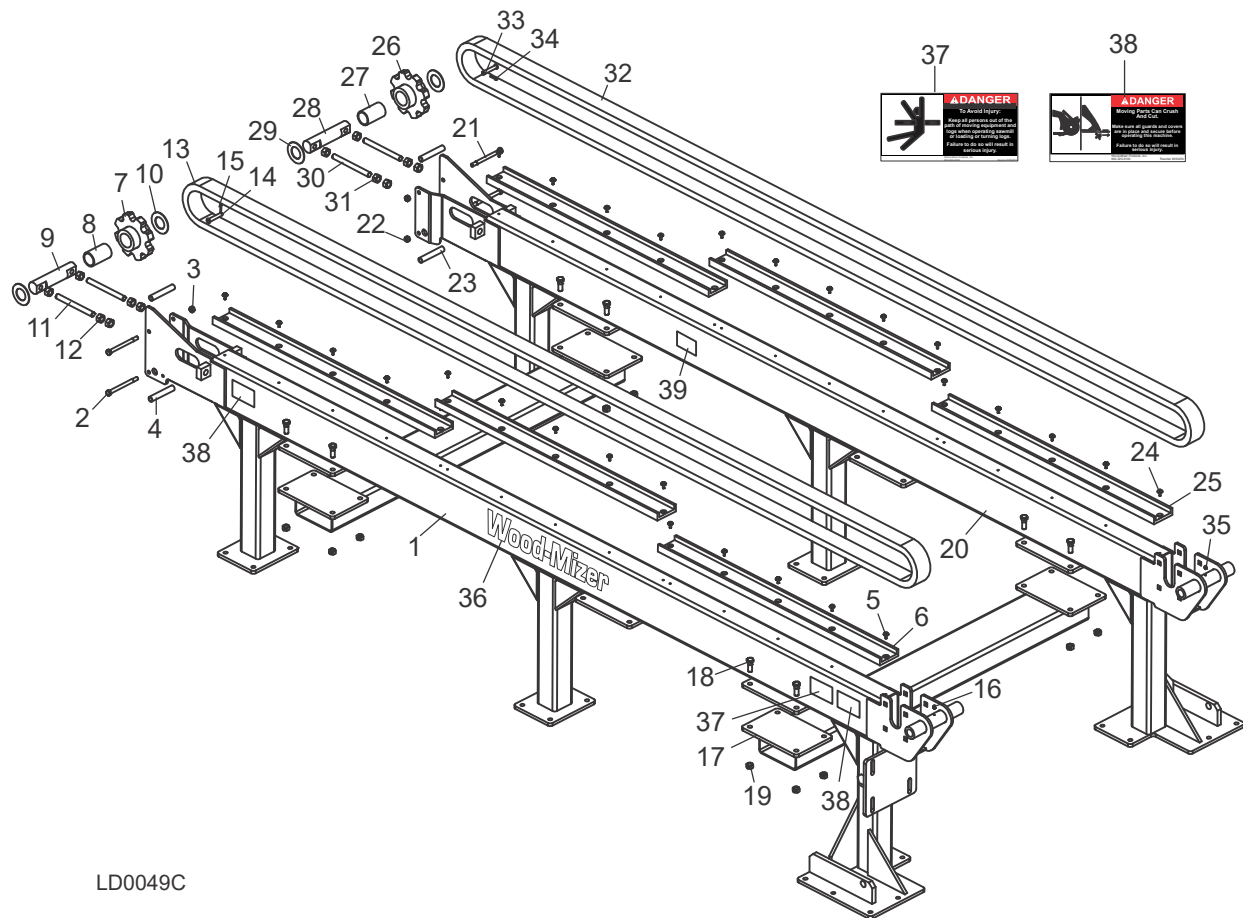
9	Nut, 3/4-16 Hex	F05010-92	6	
10	Chain, 12-Foot Infeed Deck	033760	1	
11	Pin, WR78 Chain Connecting	017643	1	
12	Pin, 5/32" x 1" Cotter	F05012-112	1	
13	Fitting, 3/16" x 3/16" Straight Grease	P04107	1	
14	CROSS TUBE WELDMENT, INFEED	035767	2	
15	BOLT, 5/8-11 X 1 3/4 HEX HEAD	F05009-33	16	
16	NUT, 5/8-11 HEX LOCK	F05010-4	16	
	RAIL ASSEMBLY, 12-FEET LEFT (LD12-1)	065855	1	
	RAIL ASSEMBLY, 12-FEET LEFT (LD12)	065929	1	
17	Tube Weldment, 12-Feet Infeed Deck Main Left (LD12-1)	065853	1	
	Tube Weldment, 12-Feet Infeed Deck Main Left (LD12)	065927	1	
18	Bolt, 1/4-20 x 3/4" Hex Head w/Washer&Patch	F05005-207	15	
19	Channel, UHMW Conveyor	033722	3	
	Sprocket Assembly, Idler WR7808	033715	1	
20	Sprocket Weldment, Idler WR7808	036717	1	
21	Bushing, 1 15/16" x 2 5/16" x 3 3/4" Bronze	036708	1	
22	Shaft, Chain Idler	033718	1	
23	Washer, 1.95" ID X 4" OD X .078"	033735	2	
24	Stud, 3/4-16 X 7 3/4" Threaded	017642	2	
25	Nut, 3/4-16 Hex	F05010-92	6	
26	Chain, 12-Foot Infeed Deck	033760	1	
27	Pin, WR78 Chain Connecting	017643	1	
28	Pin, 5/32" x 1" Cotter	F05012-112	1	
29	Fitting, 3/16" x 3/16" Straight Grease	P04107	1	
30	DECAL, 27" WHITE WOOD-MIZER LOGO	074077	2	
31	DECAL, KEEP AWAY DANGER	S09851	2	
32	DECAL, MOVING PARTS DANGER	033254	4	
33	DECAL, REVISION	016187	1	

4 Replacement Parts

Rail Assembly, 12-Foot Right & Left

4.2 Rail Assembly, 12-Foot Right & Left

Rev. B1.00 - B1.03



LD0049C

REF	DESCRIPTION (◆ Indicates Parts Available In Assemblies Only)	PART #	QTY.
	RAIL ASSEMBLY, 12-FEET RIGHT (LD12-1)	065856 ¹	1
	RAIL ASSEMBLY, 12-FEET RIGHT (LD12)	065930	1
1	Tube Weldment, 12-Foot Infeed Deck Main Right (LD12-1)	065854 ¹	1
	Tube Weldment, 12-Foot Infeed Deck Main Right (LD12)	065928	1
2	Bolt, 1/2-13 X 6" Hex Head Grade 5	F05008-107	2
3	Nut, 1/2-13 Hex Lock	F05010-3	2
4	Pipe, 1/2" x 4 13/16" Sch 40	035763	2
5	Bolt, 1/4-20 x 3/4" Hex Head w/Washer&Patch	F05005-207	15
6	Channel, UHMW Conveyor	033722	3
	Sprocket Assembly, Idler WR7808	033715	1
7	Sprocket Weldment, Idler WR7808	036717	1
8	Bushing, 1 15/16" x 2 5/16" x 3 3/4" Bronze	036708	1
9	Shaft, Chain Idler	033718	1

Replacement Parts 4

Rail Assembly, 12-Foot Right & Left

10	Washer, 1.95" ID X 4" OD X .078"	033735	2	
11	Stud, 3/4-16 X 7 3/4" Threaded	017642	2	
12	Nut, 3/4-16 Hex	F05010-92	6	
13	Chain, 12-Foot Infeed Deck	033760	1	
14	Pin, WR78 Chain Connecting	017643	1	
15	Pin, 5/32" x 1" Cotter	F05012-112	1	
16	Fitting, 3/16" x 3/16" Straight Grease	P04107	1	
17	CROSS TUBE WELDMENT, INFEED	035767	2	
18	BOLT, 5/8-11 X 1 3/4 HEX HEAD	F05009-33	16	
19	NUT, 5/8-11 HEX LOCK	F05010-4	16	
	RAIL ASSEMBLY, 12-FEET LEFT (LD12-1)	065855 ¹	1	
	RAIL ASSEMBLY, 12-FEET LEFT (LD12)	065929	1	
20	Tube Weldment, 12-Feet Infeed Deck Main Left (LD12-1)	065853	1	
	Tube Weldment, 12-Feet Infeed Deck Main Left (LD12)	065927	1	
21	Bolt, 1/2-13 X 6" Hex Head Grade 5	F05008-107	2	
22	Nut, 1/2-13 Hex Lock	F05010-3	2	
23	Pipe, 1/2" x 4 13/16" Sch 40	035763	2	
24	Bolt, 1/4-20 x 3/4" Hex Head w/Washer&Patch	F05005-207	15	
25	Channel, UHMW Conveyor	033722	3	
	Sprocket Assembly, Idler WR7808	033715	1	
26	Sprocket Weldment, Idler WR7808	036717	1	
27	Bushing, 1 15/16" x 2 5/16" x 3 3/4" Bronze	036708	1	
28	Shaft, Chain Idler	033718	1	
29	Washer, 1.95" ID X 4" OD X .078"	033735	2	
30	Stud, 3/4-16 X 7 3/4" Threaded	017642	2	
31	Nut, 3/4-16 Hex	F05010-92	6	
32	Chain, 12-Foot Infeed Deck	033760	1	
33	Pin, WR78 Chain Connecting	017643	1	
34	Pin, 5/32" x 1" Cotter	F05012-112	1	
35	Fitting, 3/16" x 3/16" Straight Grease	P04107	1	
36	DECAL, 27" WHITE WOOD-MIZER LOGO	074077	2	
37	DECAL, KEEP AWAY DANGER	S09851	2	
38	DECAL, MOVING PARTS DANGER	033254	4	
39	DECAL, REVISION	016187	1	

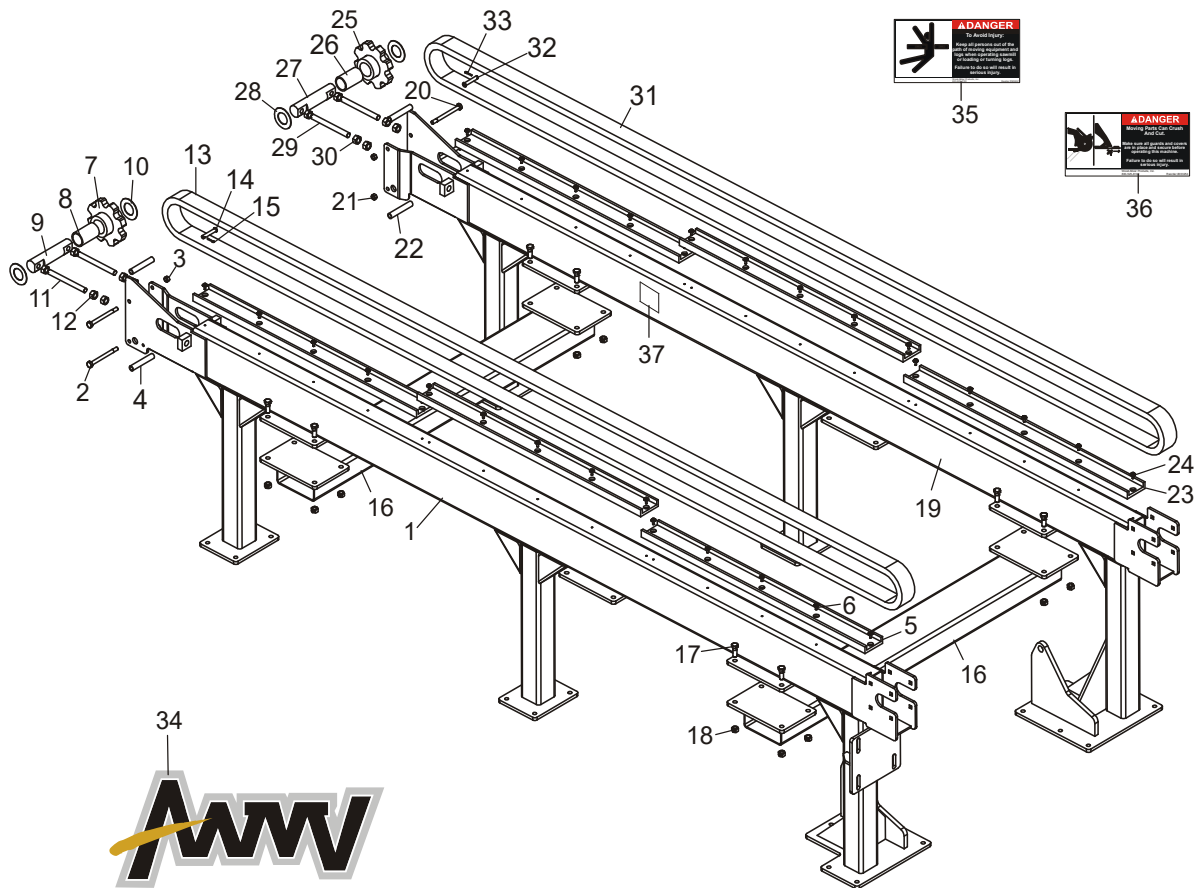
¹ LD12-1 used for LT300 Rev. A7.00+ to accommodate 8" additional height of LT300.

4 Replacement Parts

Rail Assembly, 12-Foot Right & Left

4.3 Rail Assembly, 12-Foot Right & Left

Rev. A1.00 - A2.03



LD0002D

REF	DESCRIPTION (◆ Indicates Parts Available In Assemblies Only)	PART #	QTY.
	RAIL ASSEMBLY, 12-FEET RIGHT (LD12-1)	036499 ¹	1
	RAIL ASSEMBLY, 12-FEET RIGHT (LD12)	033727-1	1
	RAIL ASSEMBLY, 12-FEET RIGHT (ORANGE LD12)	033727 ²	1
1	Tube Weldment, 12-Foot Infeed Deck Main Right (LD12-1)	036500 ¹	1
	Tube Weldment, 12-Foot Infeed Deck Main Right (LD12)	033726-1	1
	Tube Weldment, 12-Foot Infeed Deck Main Right (Orange LD12)	033726 ²	1
2	Bolt, 1/2-13 X 6" Hex Head Grade 5	F05008-107	2
3	Nut, 1/2-13 Hex Lock	F05010-3	2
4	Pipe, 1/2" x 4 13/16" Sch 40	035763	2
5	Channel, UHMW Conveyor	033722	3
6	Bolt, 1/4-20 x 3/4" Hex Head w/Washer&Patch	F05005-207	15
	Sprocket Assembly, Idler WR7808	033715 ³	1
7	Spocket Weldment, Idler WR7808	036717	1

Replacement Parts 4

Rail Assembly, 12-Foot Right & Left

8	Bushing, 1 15/16" x 2 5/16" x 3 3/4" Bronze	036708	1	
9	Shaft, Chain Idler	033718	1	
10	Washer, 1.95" ID X 4" OD X .078"	033735	2	
11	Stud, 3/4-16 X 7 3/4" Threaded	017642	2	
12	Nut, 3/4-16 Hex	F05010-92	6	
13	Chain, 12-Foot Infeed Deck	033760	1	
14	Pin, WR78 Chain Connecting	017643	1	
15	Pin, 5/32" x 1" Cotter	F05012-112	1	
16	CROSS TUBE WELDMENT, INFEED	035767	2	
17	BOLT, 5/8-11 X 1 3/4" HEX HEAD	F05009-33	16	
18	NUT, 5/8-11 HEX LOCK	F05010-4	16	
	RAIL ASSEMBLY, 12-FEET LEFT (LD12-1)	036495 ¹	1	
	RAIL ASSEMBLY, 12-FEET LEFT (LD12)	033711-1	1	
	RAIL ASSEMBLY, 12-FEET LEFT (ORANGE LD12)	033711 ²	1	
19	Tube Weldment, 12-Foot Infeed Deck Main Left (LD12-1)	036496 ¹	1	
	Tube Weldment, 12-Foot Infeed Deck Main Left (LD12)	033704-1	1	
	Tube Weldment, 12-Foot Infeed Deck Main Left (Orange LD12)	033704 ²	1	
20	Bolt, 1/2-13 X 6" Hex Head Grade 5	F05008-107	2	
21	Nut, 1/2-13 Hex Lock	F05010-3	2	
22	Pipe, 1/2" x 4 13/16" Sch 40	035763	2	
23	Channel, UHMW Conveyor	033722	3	
24	Bolt, 1/4-20 x 3/4" Hex Head w/Washer&Patch	F05005-207	15	
	Sprocket Assembly, Idler WR7808	033715 ³	1	
25	Sprocket Weldment, Idler WR7808	036717	1	
26	Bushing, 1 15/16" x 2 5/16" x 3 3/4" Bronze	036708	1	
27	Shaft, Chain Idler	033718	1	
28	Washer, 1.95" ID X 4" OD X .078"	033735	2	
29	Stud, 3/4-16 X 7 3/4" Threaded	017642	2	
30	Nut, 3/4-16 Hex	F05010-92	6	
31	Chain, 12-Foot Infeed Deck	033760	1	
32	Pin, WR78 Chain Connecting	017643	1	
33	Pin, 5/32" x 1" Cotter	F05012-112	1	
34	DECAL, AWMV LOGO 15"	052281	2	
	DECAL, WOOD-MIZER LOGO ORANGE (FOR GRAY LOG DECK)	016992 ⁴	2	
	DECAL, WOOD-MIZER LOGO BLACK (FOR ORANGE LOG DECK)	S12281 ²	2	
35	DECAL, KEEP AWAY DANGER	S09851	2	
36	DECAL, MOVING PARTS DANGER	033254	4	
37	DECAL, REVISION	016187	1	

¹ LD12-1 used for LT300 Rev. A7.00+ to accommodate 8" additional height of LT300.

² Orange Log Deck no longer available after Rev. A2.00.

³ 033715 Idler Sprocket changed from purchased part to manufactured assembly (1/05).

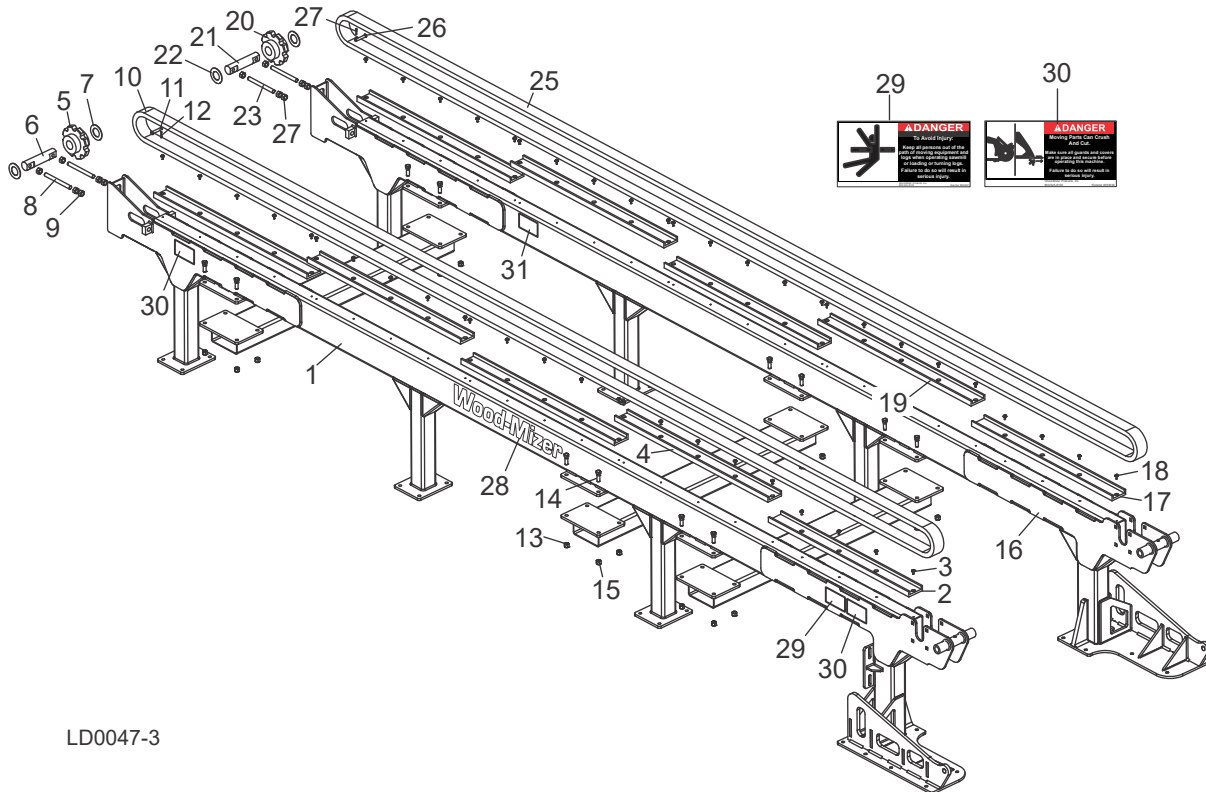
⁴ Color scheme and logo changed to AWMV with Rev. A2.01.

4 Replacement Parts

Rail Assembly, 20-Foot Right & Left

4.4 Rail Assembly, 20-Foot Right & Left

Rev. B2.00+



LD0047-3

REF	DESCRIPTION (◆ Indicates Parts Available In Assemblies Only)	PART #	QTY.
	RAIL ASSEMBLY, 20-FEET RIGHT (LD20-1)	065671	1
	RAIL ASSEMBLY, 20-FEET RIGHT (LD20)	065903	1
1	Tube Weldment, 20-Foot Infeed Deck Main Right (LD20-1)	065666	1
	Tube Weldment, 20-Foot Infeed Deck Main Right (LD20)	065901	1
2	Channel, UHMW Drive End Conveyor	035755	1
3	Bolt, 1/4-20 x 3/4" Hex Head w/Washer&Patch	F05005-207	24
4	Channel, UHMW Conveyor	033722	4
5	Sprocket Assembly, Idler WR7808	033715	1
	Spocket Weldment, Idler WR7808	036717	1
	Bushing, 1 15/16" x 2 5/16" x 3 3/4" Bronze	036708	1
6	Shaft, Chain Idler	033718	1
7	Washer, 1.95" ID X 4" OD X .078"	033735	2
8	Stud, 3/4-16 X 7 3/4" Threaded	017642	2
9	Nut, 3/4-16 Hex	F05010-92	6
10	Chain, 20-Foot Infeed Deck	035762	1
11	Pin, WR78 Chain Connecting	017643	1
12	Pin, 5/32" x 1" Cotter	F05012-112	1

Replacement Parts

Rail Assembly, 20-Foot Right & Left

4

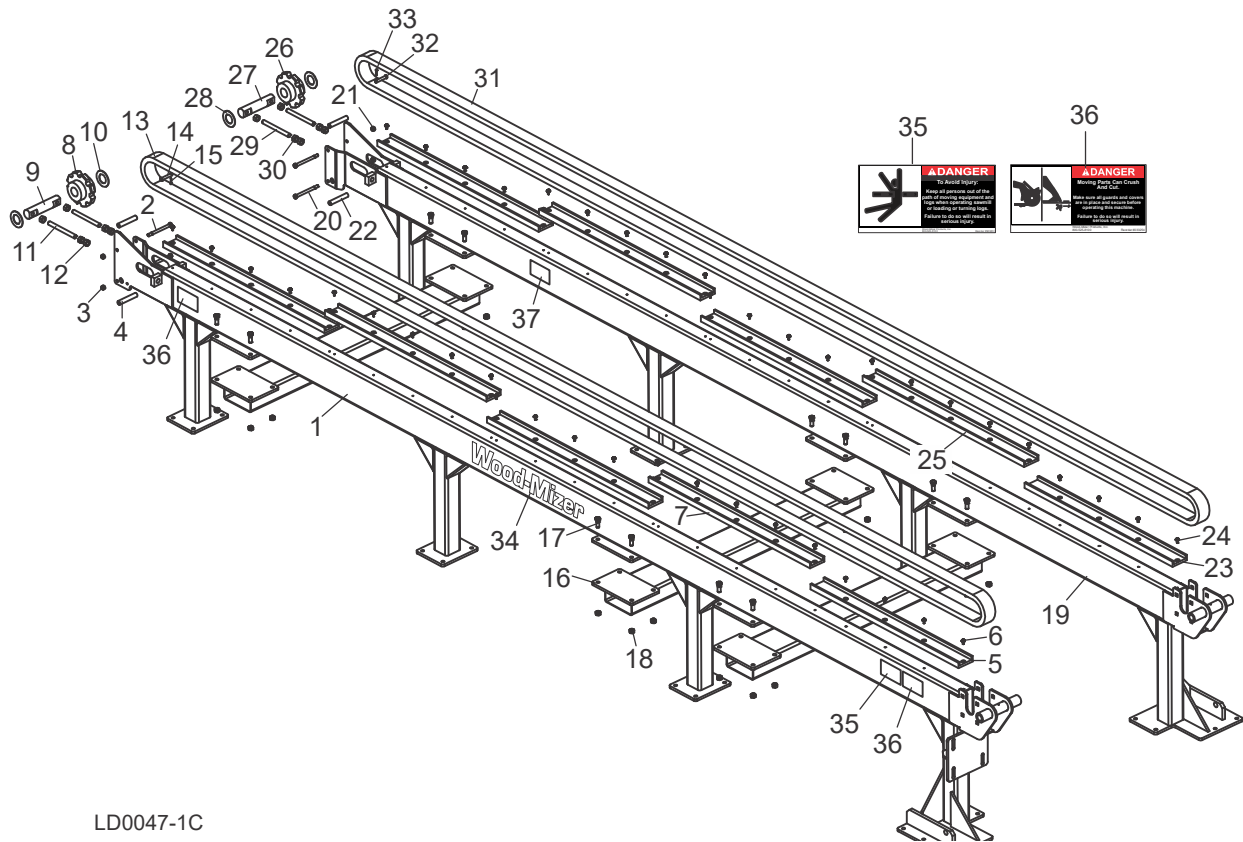
13	CROSS TUBE WELDMENT, INFEED	035767	3	
14	BOLT, 5/8-11 X 1 3/4 HEX HEAD	F05009-33	24	
15	NUT, 5/8-11 HEX LOCK	F05010-4	24	
	RAIL ASSEMBLY, 20-FEET LEFT (LD20-1)	065670	1	
	RAIL ASSEMBLY, 20-FEET LEFT (LD20)	065902	1	
16	Tube Weldment, 20-Feet Infeed Deck Main Left (LD20-1)	065665	1	
	Tube Weldment, 20-Feet Infeed Deck Main Left (LD20)	065900	1	
17	Channel, UHMW Drive End Conveyor	035755	1	
18	Bolt, 1/4-20 x 3/4" Hex Head w/Washer&Patch	F05005-207	24	
19	Channel, UHMW Conveyor	033722	4	
20	Sprocket Assembly, Idler WR7808	033715	1	
	Sprocket Weldment, Idler WR7808	036717	1	
	Bushing, 1 15/16" x 2 5/16" x 3 3/4" Bronze	036708	1	
21	Shaft, Chain Idler	033718	1	
22	Washer, 1.95" ID X 4" OD X .078"	033735	2	
23	Stud, 3/4-16 X 7 3/4" Threaded	017642	2	
24	Nut, 3/4-16 Hex	F05010-92	6	
25	Chain, 20-Foot Infeed Deck	035762	1	
26	Pin, WR78 Chain Connecting	017643	1	
27	Pin, 5/32" x 1" Cotter	F05012-112	1	
28	DECAL, 27" WHITE WOOD-MIZER LOGO	074077	2	
29	DECAL, KEEP AWAY DANGER	S09851	2	
30	DECAL, MOVING PARTS DANGER	033254	4	
31	DECAL, REVISION	016187	1	

4 Replacement Parts

Rail Assembly, 20-Foot Right & Left

4.5 Rail Assembly, 20-Foot Right & Left

Rev. B1.00 - B1.03



LD0047-1C

REF	DESCRIPTION (◆ Indicates Parts Available In Assemblies Only)	PART #	QTY.
	RAIL ASSEMBLY, 20-FEET RIGHT (LD20-1)	065671 ¹	1
	RAIL ASSEMBLY, 20-FEET RIGHT (LD20)	065903	1
1	Tube Weldment, 20-Foot Infeed Deck Main Right (LD20-1)	065666 ¹	1
	Tube Weldment, 20-Foot Infeed Deck Main Right (LD20)	065901	1
2	Bolt, 1/2-13 X 6" Hex Head Grade 5	F05008-107	2
3	Nut, 1/2-13 Hex Lock	F05010-3	2
4	Pipe, 1/2" x 4 13/16" Sch 40	035763	2
5	Channel, UHMW Drive End Conveyor	035755	1
6	Bolt, 1/4-20 x 3/4" Hex Head w/Washer&Patch	F05005-207	24
7	Channel, UHMW Conveyor	033722	4
8	Sprocket Assembly, Idler WR7808	033715	1
	Sprocket Weldment, Idler WR7808	036717	1
	Bushing, 1 15/16" x 2 5/16" x 3 3/4" Bronze	036708	1
9	Shaft, Chain Idler	033718	1
10	Washer, 1.95" ID X 4" OD X .078"	033735	2

Replacement Parts 4

Rail Assembly, 20-Foot Right & Left

11	Stud, 3/4-16 X 7 3/4" Threaded	017642	2	
12	Nut, 3/4-16 Hex	F05010-92	6	
13	Chain, 20-Foot Infeed Deck	035762	1	
14	Pin, WR78 Chain Connecting	017643	1	
15	Pin, 5/32" x 1" Cotter	F05012-112	1	
16	CROSS TUBE WELDMENT, INFEED	035767	3	
17	BOLT, 5/8-11 X 1 3/4 HEX HEAD	F05009-33	24	
18	NUT, 5/8-11 HEX LOCK	F05010-4	24	
	RAIL ASSEMBLY, 20-FEET LEFT (LD20-1)	065670 ¹	1	
	RAIL ASSEMBLY, 20-FEET LEFT (LD20)	065902	1	
19	Tube Weldment, 20-Feet Infeed Deck Main Left (LD20-1)	065665	1	
	Tube Weldment, 20-Feet Infeed Deck Main Left (LD20)	065900	1	
20	Bolt, 1/2-13 X 6" Hex Head Grade 5	F05008-107	2	
21	Nut, 1/2-13 Hex Lock	F05010-3	2	
22	Pipe, 1/2" x 4 13/16" Sch 40	035763	2	
23	Channel, UHMW Drive End Conveyor	035755	1	
24	Bolt, 1/4-20 x 3/4" Hex Head w/Washer&Patch	F05005-207	24	
25	Channel, UHMW Conveyor	033722	4	
26	Sprocket Assembly, Idler WR7808	033715	1	
	Spocket Weldment, Idler WR7808	036717	1	
	Bushing, 1 15/16" x 2 5/16" x 3 3/4" Bronze	036708	1	
27	Shaft, Chain Idler	033718	1	
28	Washer, 1.95" ID X 4" OD X .078"	033735	2	
29	Stud, 3/4-16 X 7 3/4" Threaded	017642	2	
30	Nut, 3/4-16 Hex	F05010-92	6	
31	Chain, 20-Foot Infeed Deck	035762	1	
32	Pin, WR78 Chain Connecting	017643	1	
33	Pin, 5/32" x 1" Cotter	F05012-112	1	
34	DECAL, 27" WHITE WOOD-MIZER LOGO	074077	2	
35	DECAL, KEEP AWAY DANGER	S09851	2	
36	DECAL, MOVING PARTS DANGER	033254	4	
37	DECAL, REVISION	016187	1	

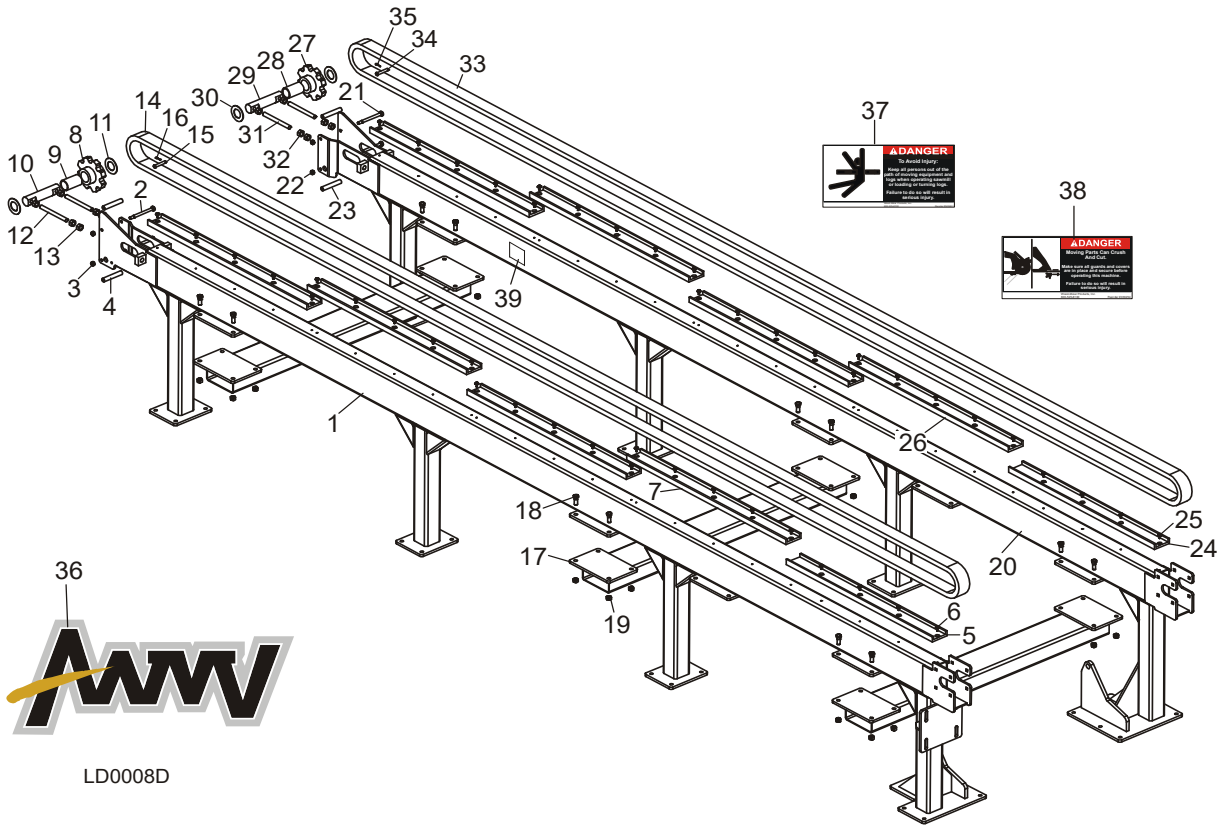
¹ LD20-1 used for LT300 Rev. A7.00+ to accommodate 8" additional height of LT300.

4 Replacement Parts

Rail Assembly, 20-Foot Right & Left

4.6 Rail Assembly, 20-Foot Right & Left

Rev. A1.00 - A2.03



REF	DESCRIPTION (◆ Indicates Parts Available In Assemblies Only)	PART #	QTY.
	RAIL ASSEMBLY, 20-FEET RIGHT (LD20-1)	036548 ¹	1
	RAIL ASSEMBLY, 20-FEET RIGHT (LD20)	035758-1	1
	RAIL ASSEMBLY, 20-FEET RIGHT (ORANGE LD20)	035758 ²	1
1	Tube Weldment, 20-Foot Infeed Deck Main Right (LD20-1)	036546 ¹	1
	Tube Weldment, 20-Foot Infeed Deck Main Right (LD20)	035760-1	1
	Tube Weldment, 20-Foot Infeed Deck Main Right (Orange LD20)	035760 ²	1
2	Bolt, 1/2-13 X 6" Hex Head Grade 5	F05008-107	2
3	Nut, 1/2-13 Hex Lock	F05010-3	2
4	Pipe, 1/2" x 4 13/16" Sch 40	035763	2
5	Channel, UHMW Drive End Conveyor	035755	1
6	Bolt, 1/4-20 x 3/4" Hex Head w/Washer&Patch	F05005-207	24
7	Channel, UHMW Conveyor	033722	4
	Sprocket Assembly, Idler WR7808	033715 ³	1
8	Sprocket Weldment, Idler WR7808	036717	1
9	Bushing, 1 15/16" x 2 5/16" x 3 3/4" Bronze	036708	1

Replacement Parts 4

Rail Assembly, 20-Foot Right & Left

10	Shaft, Chain Idler	033718	1	
11	Washer, 1.95" ID X 4" OD X .078"	033735	2	
12	Stud, 3/4-16 X 7 3/4" Threaded	017642	2	
13	Nut, 3/4-16 Hex	F05010-92	6	
14	Chain, 20-Foot Infeed Deck	035762	1	
15	Pin, WR78 Chain Connecting	017643	1	
16	Pin, 5/32" x 1" Cotter	F05012-112	1	
17	CROSS TUBE WELDMENT, INFEED	035767	3	
18	BOLT, 5/8-11 X 1 3/4 HEX HEAD	F05009-33	24	
19	NUT, 5/8-11 HEX LOCK	F05010-4	24	
	RAIL ASSEMBLY, 20-FEET LEFT (LD20-1)	036547 ¹	1	
	RAIL ASSEMBLY, 20-FEET LEFT (LD20)	035757-1	1	
	RAIL ASSEMBLY, 20-FEET LEFT (ORANGE LD20)	035757 ²	1	
20	Tube Weldment, 20-Feet Infeed Deck Main Left (LD20-1)	036545 ¹	1	
	Tube Weldment, 20-Feet Infeed Deck Main Left (LD20)	035759-1	1	
	Tube Weldment, 20-Feet Infeed Deck Main Left (Orange LD20)	035759 ²	1	
21	Bolt, 1/2-13 X 6" Hex Head Grade 5	F05008-107	2	
22	Nut, 1/2-13 Hex Lock	F05010-3	2	
23	Pipe, 1/2" x 4 13/16" Sch 40	035763	2	
24	Channel, UHMW Drive End Conveyor	035755	1	
25	Bolt, 1/4-20 x 3/4" Hex Head w/Washer&Patch	F05005-207	24	
26	Channel, UHMW Conveyor	033722	4	
	Sprocket Assembly, Idler WR7808	033715 ³	1	
27	Sprocket Weldment, Idler WR7808	036717	1	
28	Bushing, 1 15/16" x 2 5/16" x 3 3/4" Bronze	036708	1	
29	Shaft, Chain Idler	033718	1	
30	Washer, 1.95" ID X 4" OD X .078"	033735	2	
31	Stud, 3/4-16 X 7 3/4" Threaded	017642	2	
32	Nut, 3/4-16 Hex	F05010-92	6	
33	Chain, 20-Foot Infeed Deck	035762	1	
34	Pin, WR78 Chain Connecting	017643	1	
35	Pin, 5/32" x 1" Cotter	F05012-112	1	
36	DECAL, AWMV LOGO 15"	052281	2	
	DECAL, WOOD-MIZER LOGO ORANGE (FOR GRAY LOG DECK)	016992 ⁴	2	
	DECAL, WOOD-MIZER LOGO BLACK (FOR ORANGE LOG DECK)	S12281 ²	2	
37	DECAL, KEEP AWAY DANGER	S09851	2	
38	DECAL, MOVING PARTS DANGER	033254	4	
39	DECAL, REVISION	016187	1	

¹ LD20-1 used for LT300 Rev. A7.00+ to accommodate 8" additional height of LT300.

² Orange Log Deck no longer available after Rev. A2.00.

³ 033715 Idler Sprocket changed from purchased part to manufactured assembly (1/05).

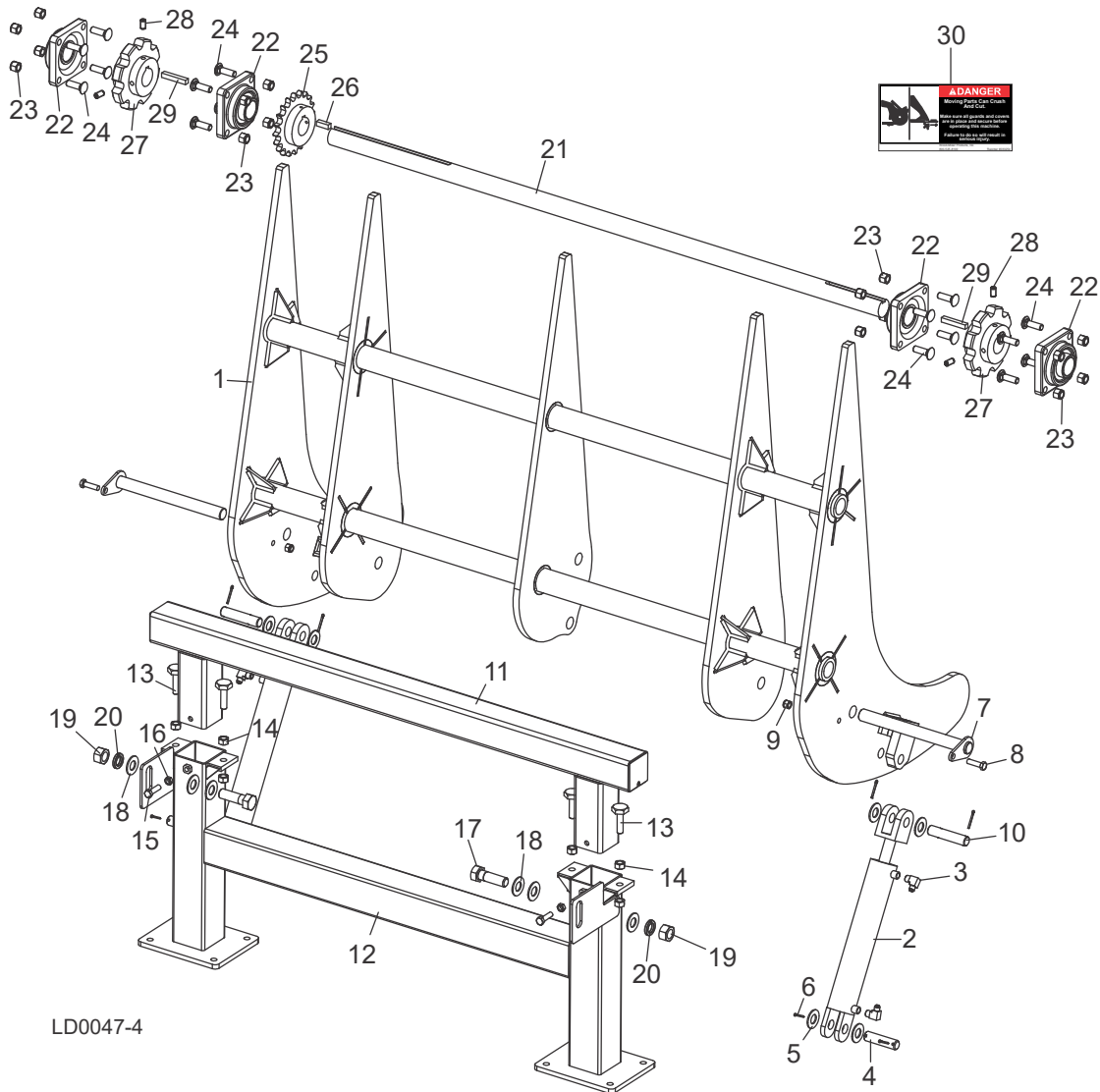
⁴ Color scheme and logo changed to AWMV with Rev. A2.01.

4 Replacement Parts

Stop/Loader Assembly

4.7 Stop/Loader Assembly

Rev. B2.00+



LD0047-4

REF	DESCRIPTION (◆ Indicates Parts Available In Assemblies Only)	PART #	QTY.
	ARM ASSEMBLY, LOG UNLOADING 2-STRAND	104208	1
1	Arm Weldment, 2-Strand Log Loading	104249	1
2	Cylinder, 2 1/2" X 22 1/4" Rod End Welded	050105	2
	Seal Kit, 2 1/2x8 Hydraulic Cylinder	P12955	1
3	Fitting, 3/8" NPT-3/8" JIC 90° Elbow	016820	4
4	Pin, 1" X 3.88"	S09251	2
5	Washer, 1" ID SAE Flat	F05011-28	8
6	Pin, 3/16" X 1 1/2" Cotter	F05012-23	8

7	Pin Weldment, 1-1/4" x 13" Pivot	062805	2	
8	Bolt, 1/2-13 x 1 3/4" Hex Head Grade 5 Full Thread	F05008-88	2	
9	Nut, 1/2-13 Nylon Hex Lock	F05010-8	2	
10	Pin, 1" x 4-5/8" Pivot	065885	2	
	STOP ASSEMBLY, LOADER (LD12-1/LD20-1)	036543 ¹	1	
	STOP ASSEMBLY, LOADER (LD12/LD20)	033773-1	1	
11	Weldment, Rail Top Rest	050112	1	
12	Stop Weldment, Loader (LD12-1/LD20-1)	036542 ¹	1	
	Stop Weldment, Loader (LD12/LD20)	033772-1	1	
13	Bolt, Bed Rail Adjust LT50	S13006	4	
14	Nut, 5/8-11 Hex	F05010-5	8	
15	Bolt, 1/2-20 X 1 3/4" Hex Head Full Thread	F05008-127	2	
16	Nut, 1/2-20 Hex Jam	F05010-16	2	
17	Bolt, 1-8 X 3 1/4" Hex Head Grade 5	F05009-51	2	
18	Washer, 1" ID SAE Flat	F05011-28	6	
19	Nut, 1-8 Hex	F05010-94	2	
20	Washer, 1" Split Lock	F05011-53	2	
	SHAFT ASSEMBLY, LOG DECK DRIVE	065915	1	
21	Shaft, Jack 1-15/16" x 69-1/4"	065883	1	
22	Bearing, 1 15/16" 4-Bolt Flange	033712	4	
23	Nut, 5/8-11 Nylon Lock	F05010-34	16	
24	Bolt, 5/8-11 x 2" Grade 5 Carriage	F05009-116	16	
25	Sprocket, 80B20 x 1 15/16"	065783	1	
26	Key, 1/2" Square x 1 1/2"	033738	1	
	Sprocket Assembly, Drive WR7808	033716	2	
27	Sprocket Weldment, Drive WR7808	036718	1	
28	Screw, 1/2-13 x 1" OP Nyl Insert Socket Set	F05008-9	2	
29	Key, 1/2" x 1/2" x 3"	S12249	2	
30	DECAL, MOVING PARTS DANGER	033254	1	

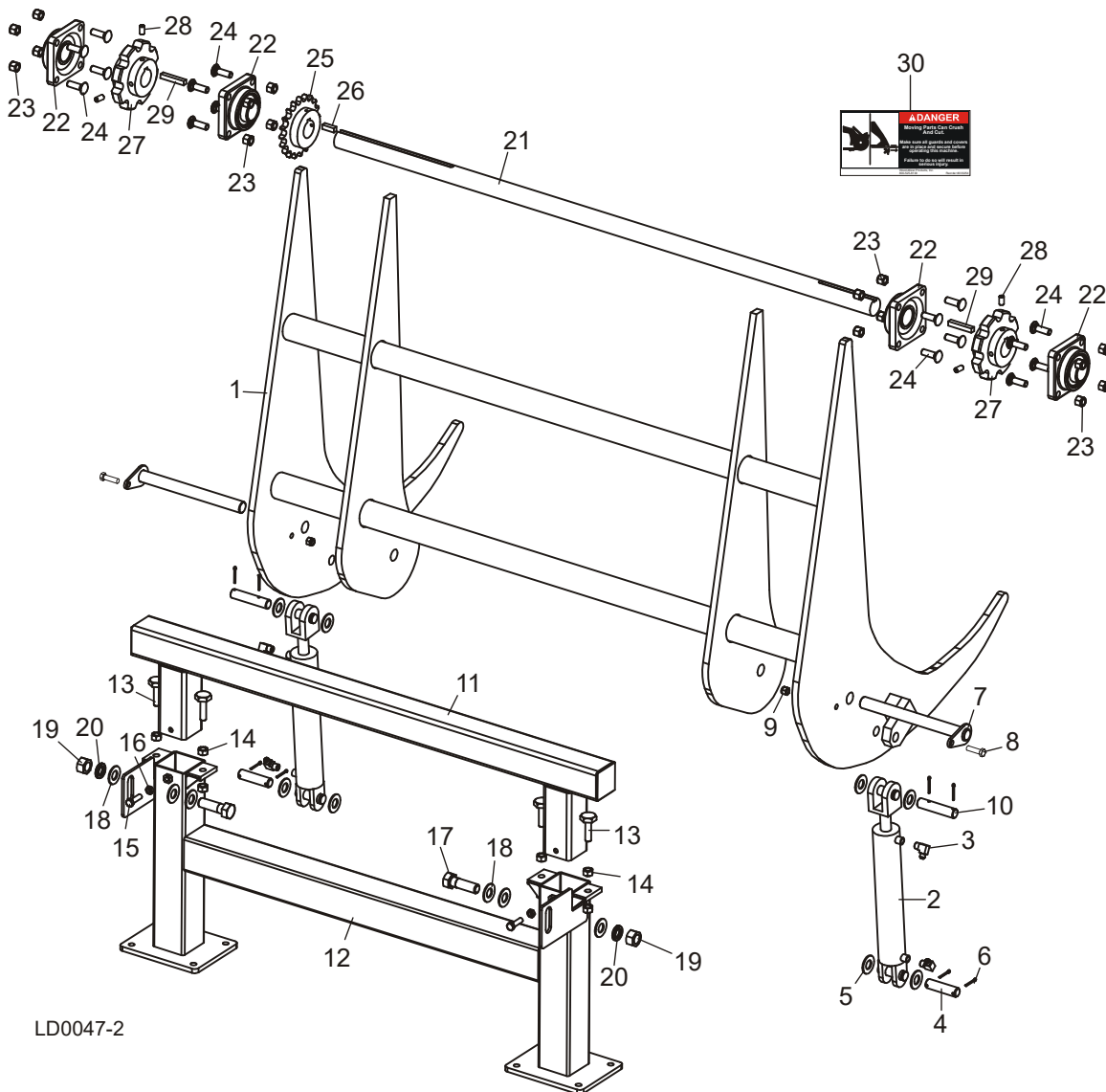
¹ LD12-1 used for LT300 Rev. A7.00+ to accommodate 8" additional height of LT300.

4 Replacement Parts

Stop/Loader Assembly

4.8 Stop/Loader Assembly

Rev. B1.00 - B1.03



REF	DESCRIPTION (◆ Indicates Parts Available In Assemblies Only)	PART #	QTY.
	ARM ASSEMBLY, LOG UNLOADING 2-STRAND	065916	1
1	Arm Weldment, 2-Strand Log Loading	065879	1
2	Cylinder, 2 1/2" X 22 1/4" Rod End Welded	050105	2
	Seal Kit, 2 1/2x8 Hydraulic Cylinder	P12955	1
3	Fitting, 3/8" NPT-3/8" JIC 90° Elbow	016820	4
4	Pin, 1" X 3.88"	S09251	2
5	Washer, 1" ID SAE Flat	F05011-28	8
6	Pin, 3/16" X 1 1/2" Cotter	F05012-23	8

7	Pin Weldment, 1-1/4" x 13" Pivot	062805	2	
8	Bolt, 1/2-13 x 1 3/4" Hex Head Grade 5 Full Thread	F05008-88	2	
9	Nut, 1/2-13 Nylon Hex Lock	F05010-8	2	
10	Pin, 1" x 4-5/8" Pivot	065885	2	
	STOP ASSEMBLY, LOADER (LD12-1/LD20-1)	036543 ¹	1	
	STOP ASSEMBLY, LOADER (LD12/LD20)	033773-1	1	
11	Weldment, Rail Top Rest	050112	1	
12	Stop Weldment, Loader (LD12-1/LD20-1)	036542 ¹	1	
	Stop Weldment, Loader (LD12/LD20)	033772-1	1	
13	Bolt, Bed Rail Adjust LT50	S13006	4	
14	Nut, 5/8-11 Hex	F05010-5	8	
15	Bolt, 1/2-20 X 1 3/4" Hex Head Full Thread	F05008-127	2	
16	Nut, 1/2-20 Hex Jam	F05010-16	2	
17	Bolt, 1-8 X 3 1/4" Hex Head Grade 5	F05009-51	2	
18	Washer, 1" ID SAE Flat	F05011-28	6	
19	Nut, 1-8 Hex	F05010-94	2	
20	Washer, 1" Split Lock	F05011-53	2	
	SHAFT ASSEMBLY, LOG DECK DRIVE	065915	1	
21	Shaft, Jack 1-15/16" x 69-1/4"	065883	1	
22	Bearing, 1 15/16" 4-Bolt Flange	033712	4	
23	Nut, 5/8-11 Nylon Lock	F05010-34	16	
24	Bolt, 5/8-11 x 2" Grade 5 Carriage	F05009-116	16	
25	Sprocket, 80B20 x 1 15/16"	065783	1	
26	Key, 1/2" Square x 1 1/2"	033738	1	
	Sprocket Assembly, Drive WR7808	033716	2	
27	Sprocket Weldment, Drive WR7808	036718	1	
28	Screw, 1/2-13 x 1" OP Nyl Insert Socket Set	F05008-9	2	
29	Key, 1/2" x 1/2" x 3"	S12249	2	
30	DECAL, MOVING PARTS DANGER	033254	1	

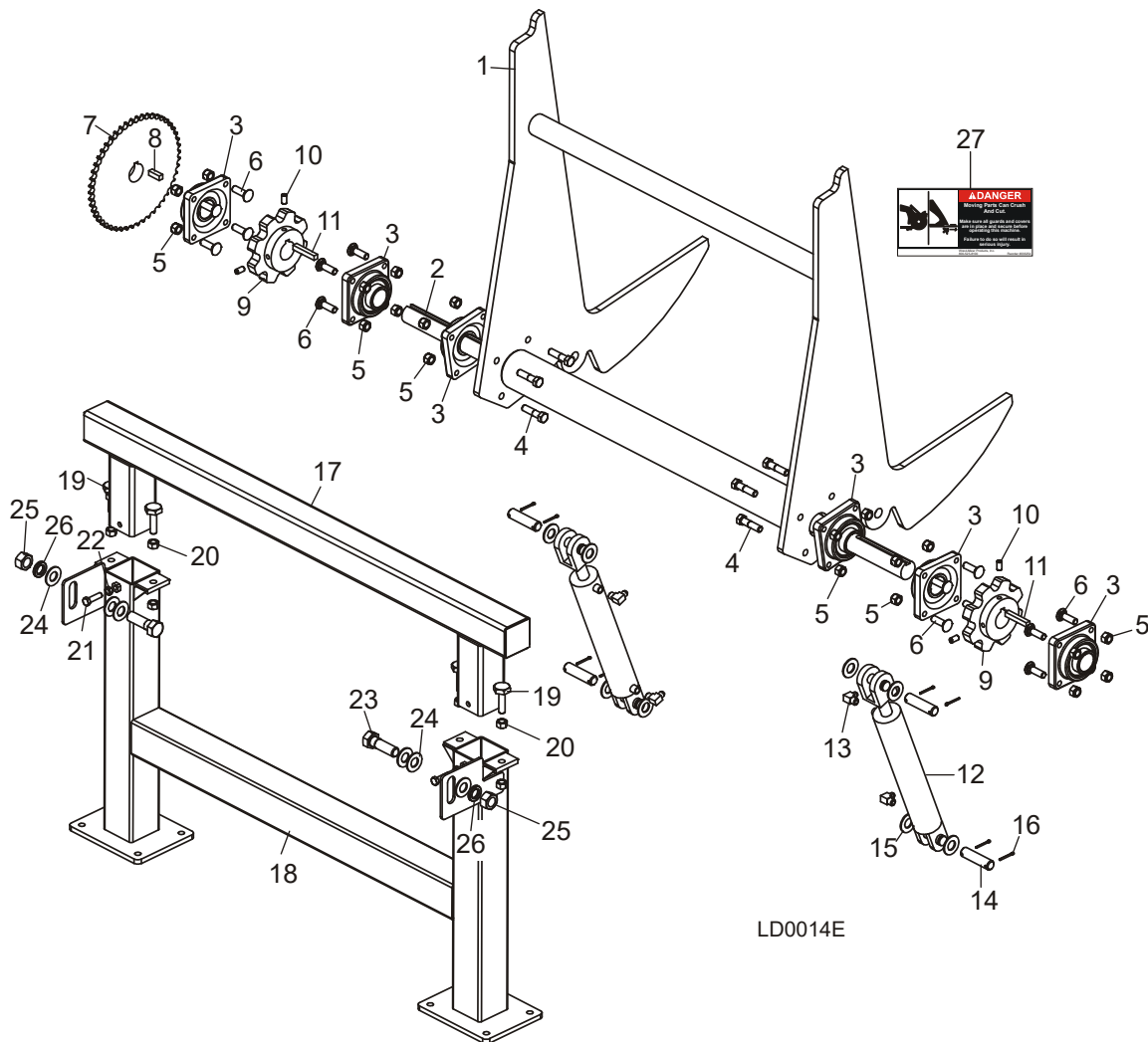
¹ LD12-1 used for LT300 Rev. A7.00+ to accommodate 8" additional height of LT300.

4 Replacement Parts

Stop/Loader Assembly

4.9 Stop/Loader Assembly

Rev. A1.00 - A2.03



LD0014E

REF	DESCRIPTION (◆ Indicates Parts Available In Assemblies Only)	PART #	QTY.
	SHAFT ASSEMBLY, STOP/LOADER (LD12-1/LD20-1)	036544 ¹	1
	SHAFT ASSEMBLY, STOP/LOADER (LD12/LD20)	033751-1	1
	SHAFT ASSEMBLY, STOP/LOADER (ORANGE LD12/LD20)	033751 ²	1
1	Shaft Weldment, Stop/Loader	033753	1
2	Shaft, Jack	033733	1
3	Bearing, 1 15/16" 4-Bolt Flange	033712	6
4	Bolt, 5/8-11 X 2 1/2" Hex Head Grade 5	F05009-20 ³	8
5	Nut, 5/8-11 Nylon Lock	F05010-34 ³	24
6	Bolt, 5/8-11 X 2" Carriage Head	F05009-116 ³	16

7	Sprocket, 60B50	050103	1	
8	Key, 1/2" Square X 1 1/2"	033738	1	
	Sprocket Assembly, WR7808	033716 ⁴	2	
9	Sprocket Weldment, Idler	036718	1	
10	Screw, 1/2-13 x 3/4" Flat Point Nylock Socket Set	F05008-9	2	
11	Key, 1/2" Square X 3"	S12249	2	
12	Cylinder, 2 1/2" X 22 1/4" Rod End Welded	050105	2	
13	Fitting, 3/8" NPT-3/8" JIC 90° Elbow	016820	4	
14	Pin, 1" X 3.88"	S09251	4	
15	Washer, 1" ID SAE Flat	F05011-28	8	
16	Pin, 3/16" X 1 1/2" Cotter	F05012-23	8	
	Stop Assembly, Loader (LD12-1/LD20-1)	036543 ¹	1	
	Stop Assembly, Loader (LD12/LD20)	033773-1	1	
	Stop Assembly, Loader (Orange LD12/LD20)	033773 ²	1	
17	Weldment, Rail Top Rest	050112	1	
18	Stop Weldment, Loader (LD12-1/LD20-1)	036542 ¹	1	
	Stop Weldment, Loader (LD12/LD20)	033772-1	1	
	Stop Weldment, Loader (Orange LD12/LD20)	033772 ²	1	
19	Bolt, Bed Rail Adjust LT50	S13006	4	
20	Nut, 5/8-11 Hex	F05010-5	8	
21	Bolt, 1/2-20 X 1 3/4" Hex Head Full Thread	F05008-127	2	
22	Nut, 1/2-20 Hex Jam	F05010-16	2	
23	Bolt, 1-8 X 3 1/4" Hex Head Grade 5	F05009-51	2	
24	Washer, 1" ID SAE Flat	F05011-28	6	
25	Nut, 1-8 Hex	F05010-94 ⁵	2	
26	Washer, 1" Split Lock	F05011-53 ⁵	2	
27	DECAL, MOVING PARTS DANGER	033254	1	

¹ LD12-1 used for LT300 Rev. A7.00+ to accommodate 8" additional height of LT300.

² Orange Log Deck no longer available after Rev. A2.00.

³ Replaced Hex Head Bolt F05008-10 with F05009-20, Nylon Lock Nut F05010-8 with F05010-34, Carriage Head Bolt F05008-132 with F05009-116 for Log Deck Rev. A2.03 to eliminate mounting hardware failure.

⁴ 033716 Sprocket changed from purchased part to manufactured assembly (1/05).

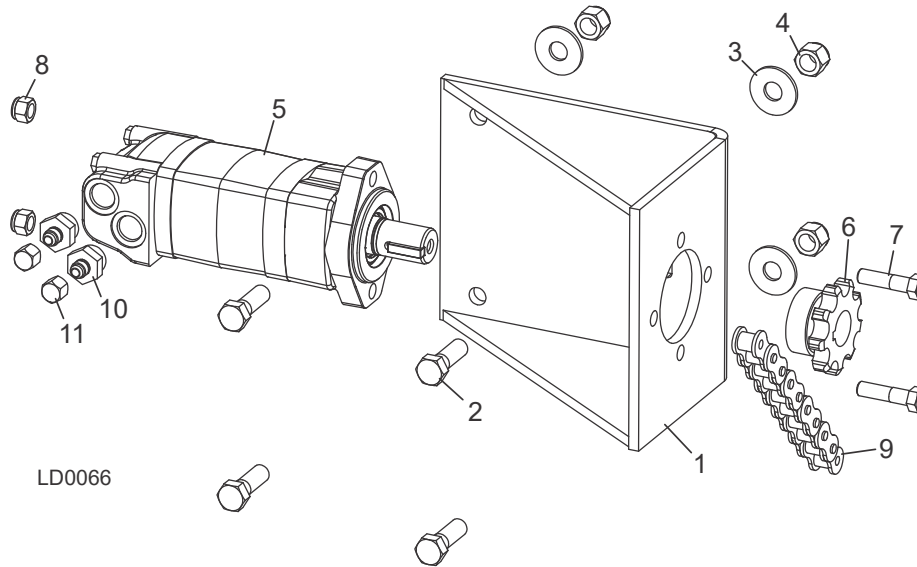
⁵ Hex Nut F05010-94 and Lock Washer F05011-53 replace Nylon Lock Nut F05010-109 originally supplied before 1/05 for easier assembly.

4 Replacement Parts

Drive Hydraulic Assembly

4.10 Drive Hydraulic Assembly

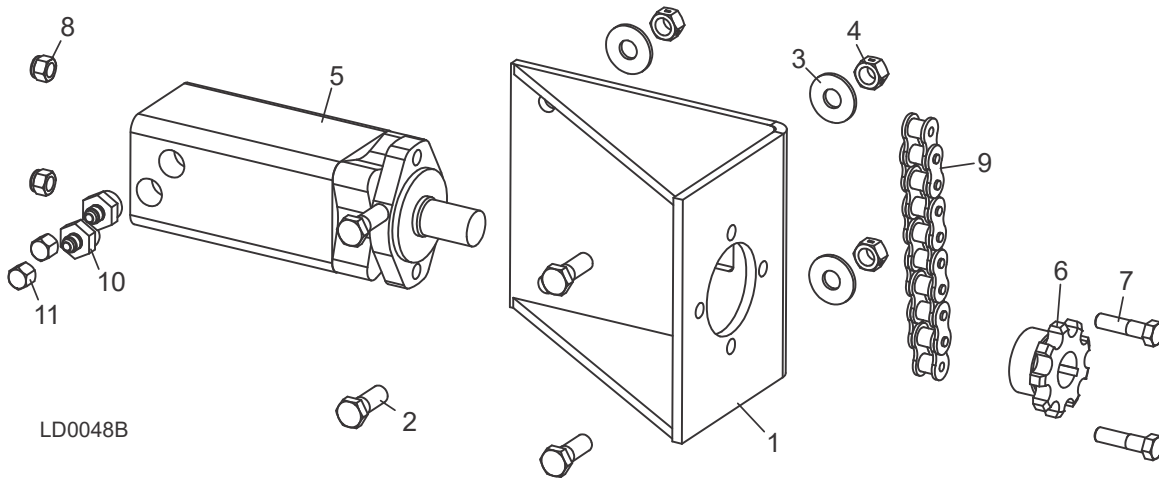
Rev. B2.00+



REF	DESCRIPTION (◆ Indicates Parts Available In Assemblies Only)	PART #	QTY.
	DRIVE ASSEMBLY, HYDRAULIC LOG DECK	110218	1
1	Bracket Weldment, Motor Mount	050101	1
2	Bolt, 5/8-11x2 Hex Head Grade 2	F05009-2	4
3	Washer, 5/8" Standard Flat	F05011-40	4
4	Nut, 5/8-11 Nyl Lock	F05010-34	4
5	Motor, Hydraulic Log Deck	056062	1
	Key, 5/16" x 1-1/4"	074805	1
	Kit, Seal CX30339 for 056062 Motor	061342	1
6	Sprocket, 80B9 x 1.25 5/16" Key	074791	1
7	Bolt, 1/2-13 X 2" Hex Head Grade 5	F05008-102	2
8	Nut, 1/2-13 Nylon Hex Lock	F05010-8	2
9	Chain, #80 61 Pitches+Con Link	104686	1
10	Fitting, #10 SAE x 3/8" JIC	017640	2
11	Fitting, 3/8" JIC Female Cap	016816	2

4.11 Drive Hydraulic Assembly

Rev. B1.00 - B1.03



REF	DESCRIPTION (◆ Indicates Parts Available In Assemblies Only)	PART #	QTY.
	DRIVE ASSEMBLY, HYDRAULIC LOG DECK	065678	1
1	Bracket Weldment, Motor Mount	050101	1
2	Bolt, 5/8-11 X 1 3/4" Hex Head	F05009-33	4
3	Washer, 5/8" Standard Flat	F05011-40	4
4	Nut, 5/8-11 Hex Lock	F05010-4	4
5	Motor, Hydraulic Log Deck	056062	1
	Key, 5/16" x 1-1/4"	074805	1
	Kit, Seal CX30339 for 056062 Motor	061342	1
6	Sprocket, 80B9 x 1.25 5/16" Key	074791 ¹	1
7	Bolt, 1/2-13 X 2" Hex Head Grade 5	F05008-102	2
8	Nut, 1/2-13 Nylon Hex Lock	F05010-8	2
9	Chain, #80 x 39 Link Roller	065884	1
10	Fitting, #10 SAE x 3/8" JIC	017640	2
11	Fitting, 3/8" JIC Female Cap	016816	2

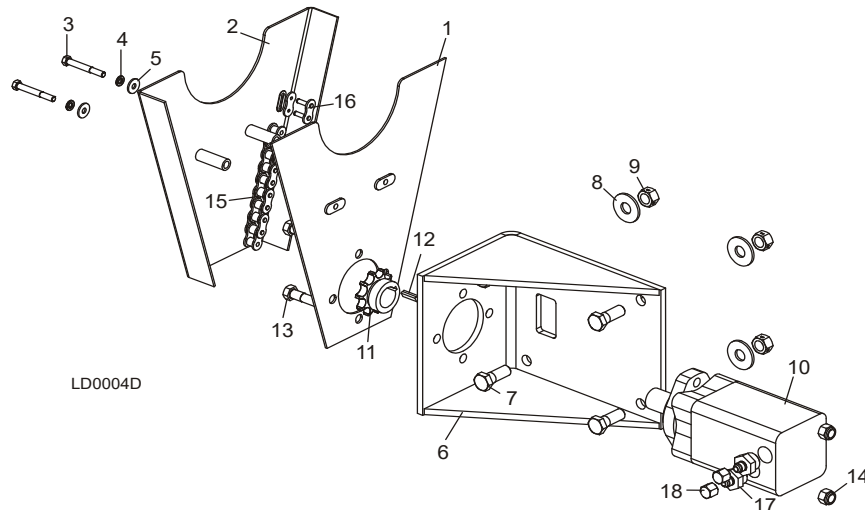
¹ Replaced 058090 80B9 x 1.25 1/4" Key Sprocket equipped with 017830 5/16" x 1/4" Stepped x 31/32" Long Key (Rev. B1.03).

4 Replacement Parts

Drive Hydraulic Assembly

4.12 Drive Hydraulic Assembly

Rev. A1.00 - A2.03



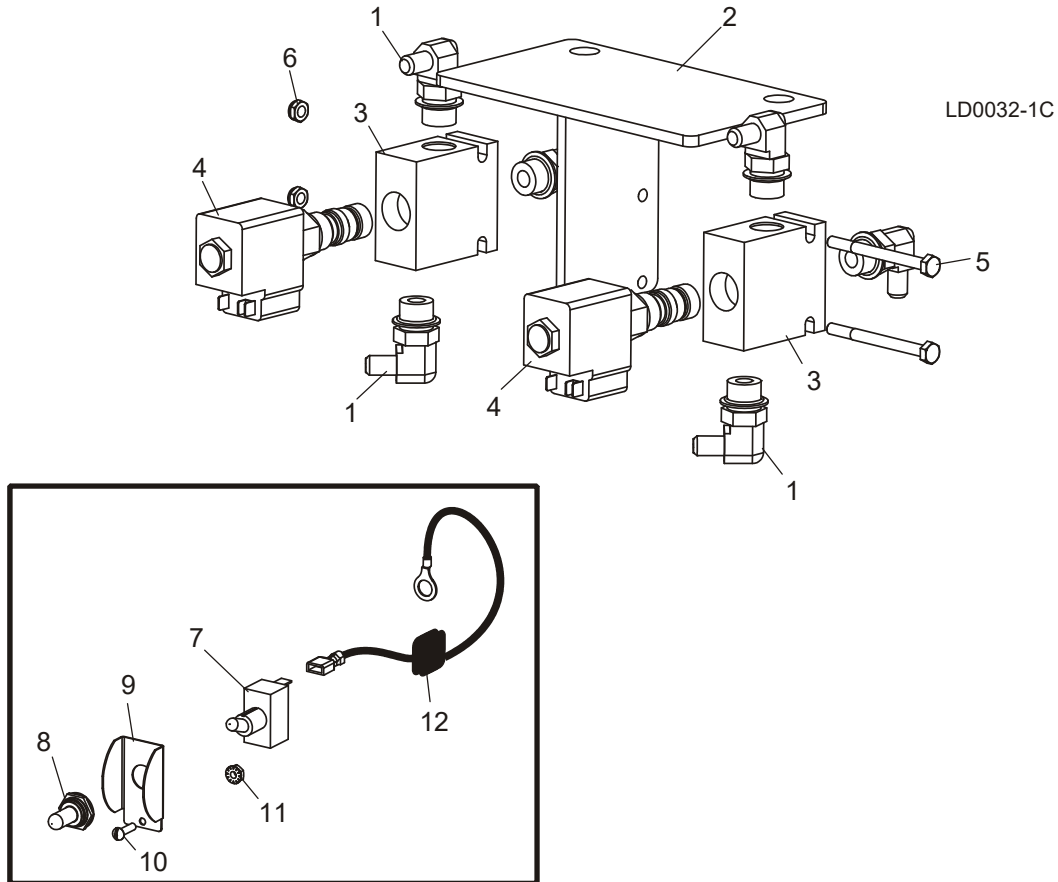
REF	DESCRIPTION (◆ Indicates Parts Available In Assemblies Only)	PART #	QTY.	
	DRIVE ASSEMBLY, HYDRAULIC LOG DECK	050102	1	
1	Weldment, Chain Guard	050121 ¹	1	
2	Weldment, Chain Guard Cover	050120	1	
3	Bolt, 5/16-18 X 2 1/2" Hex Head	F05006-10	2	
4	Washer, 5/16" Split Lock	F05011-13	2	
5	Washer, 5/16" Standard Flat	F05011-16	2	
6	Bracket Weldment, Motor Mount	050101	1	
7	Bolt, 5/8-11 X 1 3/4" Hex Head	F05009-33	4	
8	Washer, 5/8" Standard Flat	F05011-40	4	
9	Nut, 5/8-11 Hex Lock	F05010-4	4	
10	Motor, Hydraulic Log Deck	050100 ¹	1	
	Sprocket Assembly, Log Deck Drive w/Key	050115 ²	1	
11	Sprocket, 60B10 x 1.25" Bore	017644	1	◆
12	Key, 5/16" x 1/4" Stepped x 31/32" Long	017830	1	
13	Bolt, 1/2-13 X 2" Hex Head Grade 5	F05008-102	2	
14	Nut, 1/2-13 Nylon Hex Lock	F05010-8	2	
15	Chain, #60 x 49 1/2"	017641	1	
16	Link, #60 CL	042398	1	
17	Fitting, #10 SAE x 3/8" JIC	017640 ³	2	
18	Fitting, 3/8" JIC Female Cap	016816 ³	2	

¹ 4-hole mount motor discontinued by vendor. Motor 050100 changed to two-hole mount, requiring change to guard weldment 050121 (Rev. A2.02). All parts are interchangeable with previous revisions.

² Sprocket changed to assembly with stepped key to eliminate broaching operation (Rev. A1.02).

³ Fittings moved from Installation Kits to Drive Assembly 1/05.

4.13 Installation Kit (All Supers & LT60HD/70HD non-Remote)



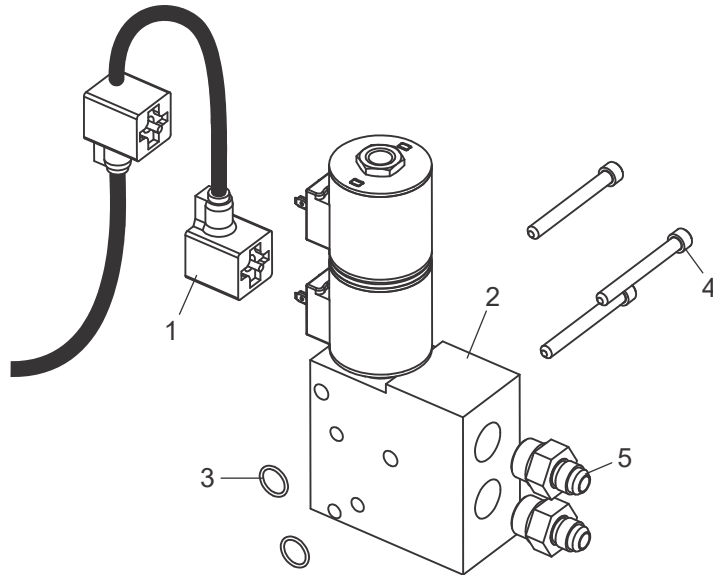
REF	DESCRIPTION (◆ Indicates Parts Available In Assemblies Only)	PART #	QTY.
	INSTALLATION KIT, LD70/40 LOG DECK	LD70/40KIT	1
	Hose, 3/8" Hydraulic w/Fittings CS 24" Long HP	074182	2
	Hose, 3/8" Hydraulic w/Fittings 84" HP	013994	4
	Hose, 3/8" Hydraulic w/Fittings CS 72" Long HP	074184	2
	Fitting, 3/8" JIC Union Small Hex	016540	2
1	Fitting, #8 SAE x 3/8" JIC Elbow	015907	6
2	Bracket Weldment, Hydraulic Valve Mount	045866	1
3	Valve Body, #8 SAE 3-Port	045863	2
4	Valve, Diverter Cartridge	045865	2
5	Bolt, 1/4-20 x 3 1/2" Hex Head Grade 5	F05006-56	2
6	Nut, 1/4-20 Nylon Lock	F05010-69	2
	Fitting, 3/8" NPT x 3/8" JIC Male Run T	045864	2
	Electrical Kit, LD70/40 Log Deck	050991	1
7	Switch, 15A SPST .25 Tab Toggle	P03027	1
8	Boot, Toggle Switch Sealing	024589	1

4**Replacement Parts***Installation Kit (All Supers & LT60HD/70HD non-Remote)*

9	Guard, Toggle Switch	019612	1	
10	Screw, #6-32 x 1/2" Slotted Round Head	F05015-24	1	
11	Nut, #6-32 Self-Locking Hex	F05010-59	1	
12	Fuseholder Assembly, LD70/40 4A	051255	1	
	Fuse, 4A ATO Blade	024150-4	1	
	Connector, 3-Wire Waterproof 22-14AWG Pigtail	051259	2	
	Cable Assembly, LD 70/40 Main	051253	1	
	Cable Assembly, LD 70/40 Command Control	051254	1	
	Tie Wrap, 5/16" x 15" UV Black	F05089-5	11	
	Tie Wrap, 3/16" x 10" UV Black	F05089-8	5	
	Plate, Log Deck Adaptor	045818	2	

4.14 Installation Kit (LT70HD Super)

For LT70HD Super Rev. A1.00+



LD0063-3

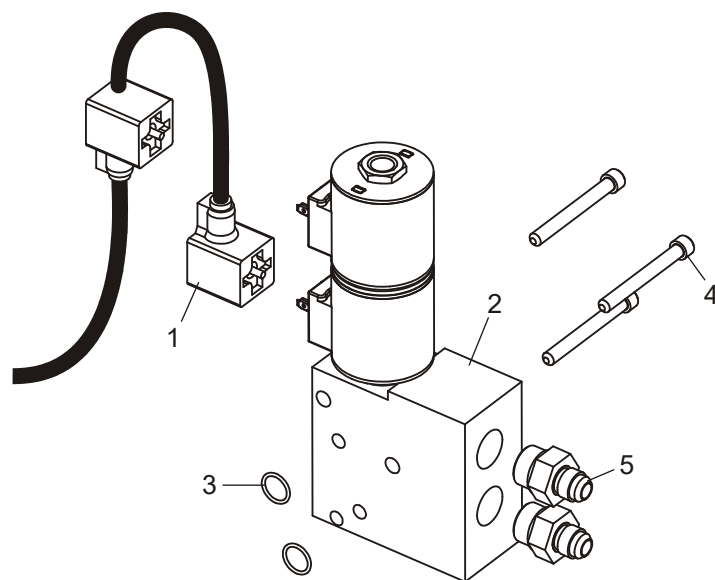
REF	DESCRIPTION (◆ Indicates Parts Available In Assemblies Only)	PART #	QTY.
	INSTALLATION KIT, LT70 SUPER LOG DECK	LD70-SUPERKIT	1
	Hose Kit, Log Deck LD70-RKIT2	074877	1
	Hose, 3/8" Hydraulic w/2 Straight Fittings 72" Long (Cylinder-Loader)	042828	4
	Hose, 3/8" Hydraulic w/1 Straight-1 Elbow Fittings 144" Long (Valve-Hydraulic Motor)	042828	2
	Fitting, 3/8" JIC Union Small Hex	016540	4
1	Cable Assembly, LT70 Hydraulic Log Deck Solenoid	078110	1
	Valve Assembly, LT70 Log Deck	036805	1
2	Valve, 4-Way Closed 12V Hydraulic Add-on	025826	1
3	O-Ring, 1/16" Dia. x 5/8" OD	036806	2
4	Screw, 1/4-20 x 2 1/4" Socket Head	F05005-170	3
5	Fitting, #8 SAE x #6 JIC	P12703	2
	Plate, Log Deck Adaptor	045818	2
	Fluid, Univis HVI 26 Gallon Hydraulic	074744	1
	Manual, Log Infeed Option	M1024	1

4 Replacement Parts

Installation Kit (LT70HD DCS)

4.15 Installation Kit (LT70HD DCS)

For LT70HD DCS Rev. B4.02+



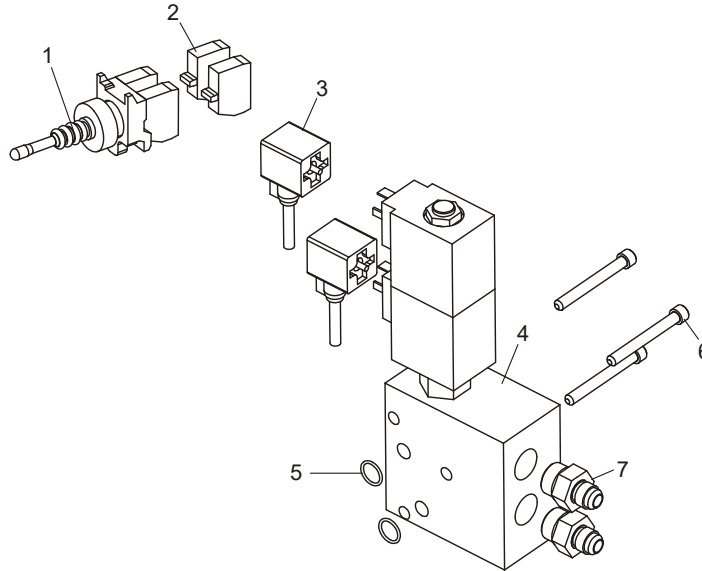
LD0044-3B

REF	DESCRIPTION (◆ Indicates Parts Available In Assemblies Only)	PART #	QTY.
	INSTALLATION KIT, LT70 DCS LOG DECK	LD70-DCSKIT	1
	Hose Kit, Log Deck LD70-RKIT2	074877	1
	Hose, 3/8" Hydraulic w/2 Straight Fittings 72" Long (Cylinder-Loader)	042828	4
	Hose, 3/8" Hydraulic w/1 Straight-1 Elbow Fittings 144" Long (Valve-Hydraulic Motor)	042828	2
	Fitting, 3/8" JIC Union Small Hex	016540	4
1	Cable Assembly, Dual DIN A Valve DCS	069626	1
	Valve Assembly, LT70 Log Deck	036805	1
2	Valve, 4-Way Closed 12V Hydraulic Add-on	025826 ¹	1
3	O-Ring, 1/16" Dia. x 5/8" OD	036806	2
4	Screw, 1/4-20 x 2 1/4" Socket Head	F05005-170	3
5	Fitting, #8 SAE x #6 JIC	P12703	2
	Plate, Log Deck Adaptor	045818	2
	Fluid, Hydraulic HVI32 (Gal) All Weather	006397	1
	Manual, Log Infeed Option	M1024	1

¹ Replaces 036732 originally supplied prior to 12/10 (new vendor).

4.16 Installation Kit (LT70HD Remote)

For LT70HD Remote Rev. A6.00 - B4.04



LD0039-2B

REF	DESCRIPTION (◆ Indicates Parts Available In Assemblies Only)	PART #	QTY.
	INSTALLATION KIT, LT70-R LOG DECK (REV. A6.00+)	LD70-RKIT2 ¹	1
	Hose Kit, Log Deck LD70-RKIT2	074877	1
	Hose, 3/8" Hydraulic w/2 Straight Fittings 72" Long (Cylinder-Loader)	042828	4
	Hose, 3/8" Hydraulic w/1 Straight-1 Elbow Fittings 144" Long (Valve-Hydraulic Motor)	042828	2
	Fitting, 3/8" JIC Union Small Hex	016540	4
	Electrical Kit, LT70-R Log Deck	050966	1
1	Switch, Joystick w/2 NO Contacts	050766	1
2	Contact, NO ZD4 PA103	052075	2
3	Plug Assembly, 2-Cond w/E GND DIN A 53950	050829	2
	Valve Assembly, LT70 Log Deck	036805	1
4	Valve, 4-Way Closed 12V Hydraulic Add-on	025826 ²	1
5	O-Ring, 1/16" Dia. x 5/8" OD	036806	2
6	Screw, 1/4-20 x 2 1/4" Socket Head	F05005-170	3
7	Fitting, #8 SAE x #6 JIC	P12703	2
	Plate, Log Deck Adaptor	045818	2
	Fluid, Hydraulic HVI32 (Gal) All Weather	006397	1
	Manual, Log Infeed Option	M1024	1

¹ Use LD70-RKIT2 to install Log Deck to LT70HD Remote Rev. A6.00 and later. Use LD70-RKIT for LT70HD Remote with extra 8th valve port ([See Section 4.17](#)).

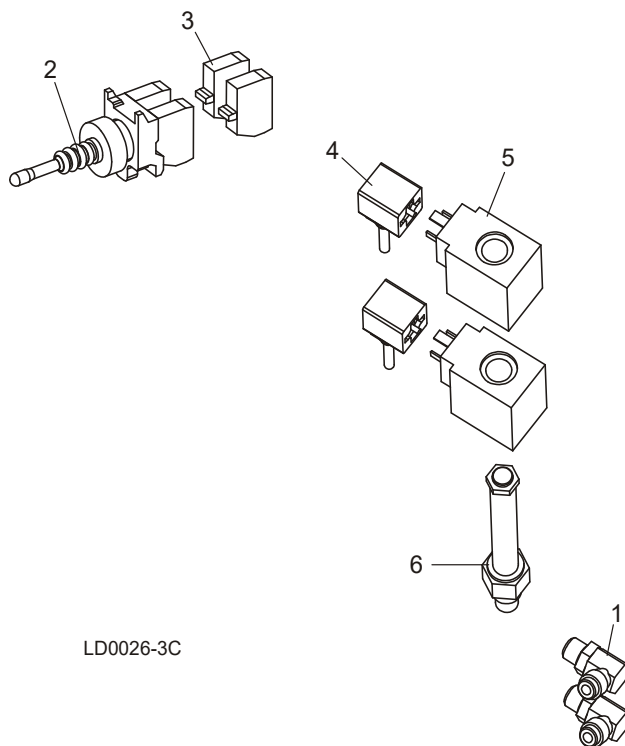
² Replaces 036732 originally supplied prior to 12/10 (new vendor).

4 Replacement Parts

Installation Kit (LT70HD Remote)

4.17 Installation Kit (LT70HD Remote)

For LT70HD Remote Rev. A1.00 - A5.03



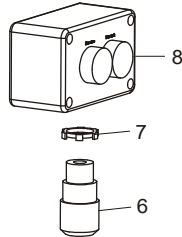
REF	DESCRIPTION (◆ Indicates Parts Available In Assemblies Only)	PART #	QTY.
	INSTALLATION KIT, LT70-R LOG DECK	LD70-RKIT ¹	1
	Hose, 3/8" Hydraulic w/Fittings 84" HP	013994	2
	Hose, 3/8" Hydraulic w/Fittings 48" HP	025987	4
	Fitting, 3/8" JIC Union Small Hex	016540	4
1	Fitting, #6 SAE x 3/8" JIC Elbow	P12704	2
	Fitting, 3/8" JIC Female Cap	016816	2
	Electrical Kit, LT70-R Log Deck	050966	1
2	Switch, Joystick w/2 NO Contacts	050766	1
3	Contact, NO ZD4 PA103	052075 ²	2
4	Plug Assembly, 2-Cond w/E GND DIN A 53950	050829	2
5	Coil, 12V Hydraulic Actuator	045819	2
6	Valve, Hi-Flow Floating Ctr Spool	045820	1
	Plate, Log Deck Adaptor	045818	2

¹ Use LD70-RKIT to install Log Deck to LT70HD Remote with extra 8th valve port (prior to Rev. A6.00). Use LD70-RKIT2 for LT70HD Remote Rev. A6.00 and later ([See Section 4.16](#)).

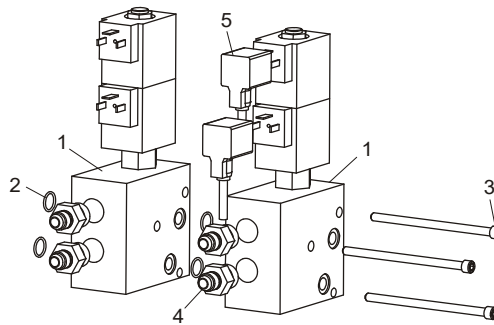
² Contact 052075 replaces 050539 NO ZB4 BE101 originally supplied prior to 11/04.

4.18 Installation Kit (LT300/WM3000/WM3500)

For LT300 Rev. B3.00+
WM3000/WM3500 All



LD0040-5



REF	DESCRIPTION (◆ Indicates Parts Available In Assemblies Only)	PART #	QTY.
	INSTALLATION KIT, LT300 LOG DECK (REV. B3+)	LD300KIT3	1
	Hose, 3/8" Hydraulic w/Fittings 48" HP	025987	4
	Hose, 3/8" Hydraulic w/Fittings CS 212" Long HP	074185	2
	Hose, 3/8" Hydraulic w/Fittings 292" HP	025983	2
	Fitting, 3/8" JIC 'T'	015487	2
	Valve Assembly, Log Deck Add-On	036825	1
1	Valve, 24V Hydraulic Add-On 4-Way Closed	025827 ¹	2
	Valve, Hi-Flow Floating Center Hydraulic	045820 ²	1
	Valve, 4-Way Hydraulic	051556 ²	1
	Coil, 24V Hydraulic #CAP-024D	051558	2
2	O-Ring, .070" Dia. x 5/8" OD	036806	4
3	Screw, 1/4-20 x 4 1/4" Socket Head	F05005-171	3
4	Fitting, 8 SAE x 3/8" JIC	P12703	4
	Electrical Kit, LT300 Log Deck	052916	1
5	Cable, 5M Form A DIN 24VDC w/LED Plug	024923	2
6	Connector, .125 - .375 1/2" Hub Cord	E23492	4
7	Nut, 1/2" #141 Lock	E20461	4
8	Control Box, Log/Deck Forward/Reverse	053213 ³	1

¹ Replaces 036724 valve used from 12/10 to 5/14. 036724 replaced 036733 check valve used prior to 12/10.

² Use 045820 to service Valve 036734 supplied after 12/10. Use 051556 to service 036733 valve supplied prior to 12/10.

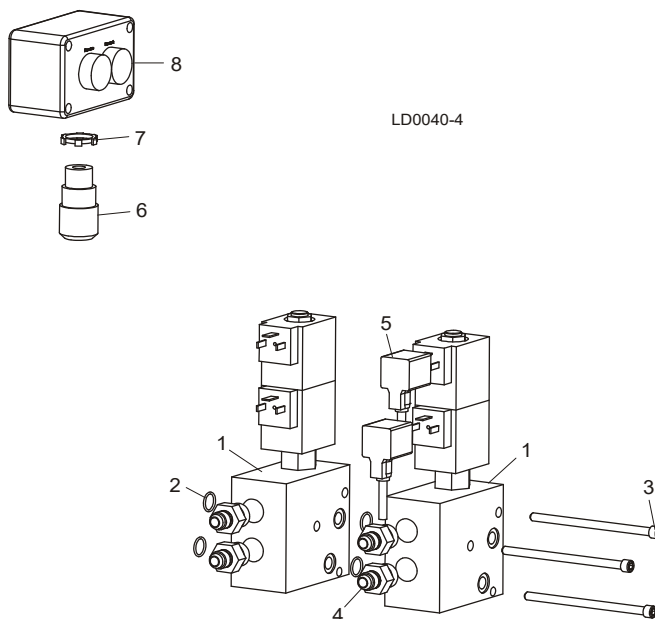
³ Replaces 025295 originally supplied prior to 4/08 (vendor discontinued).

4 Replacement Parts Installation Kit (LT300)

4.19 Installation Kit (LT300)

For LT300

Rev. A9.00 - B2.02



REF	DESCRIPTION (◆ Indicates Parts Available In Assemblies Only)	PART #	QTY.
	INSTALLATION KIT, LT300 LOG DECK (REV. A9-B2.02)	LD300KIT2	1
	Hose, 3/8" Hydraulic w/Fittings 48" HP	025987	4
	Hose, 3/8" Hydraulic w/Fittings CS 212" Long HP	074185	2
	Hose, 3/8" Hydraulic w/Fittings 292" HP	025983	2
	Fitting, 3/8" JIC 'T'	015487	2
	Valve Assembly, Log Deck Add-On	036825	1
1	Valve, 24V Hydraulic Add-On PO Check	036734 ¹	2
	Valve, Hi-Flow Floating Center Hydraulic	045820 ²	1
	Valve, 4-Way Hydraulic	051556 ²	1
	Coil, 24V Hydraulic #CAP-024D	051558	2
2	O-Ring, .070" Dia. x 5/8" OD	036806	4
3	Screw, 1/4-20 x 4 1/4" Socket Head	F05005-171	3
4	Fitting, 8 SAE x 3/8" JIC	P12703	4
	Electrical Kit, LT300 Log Deck	017627	1
	Relay, Solid State 24V 2A DIN	024925	2
5	Cable, 5M Form A DIN 24VDC w/LED Plug	024923	2
6	Connector, .125 - .375 1/2" Hub Cord	E23492	4
7	Nut, 1/2" #141 Lock	E20461	4
8	Control Box, Log/Deck Forward/Reverse	053213 ³	1

¹ Replaces 036733 check valve used prior to 12/10.

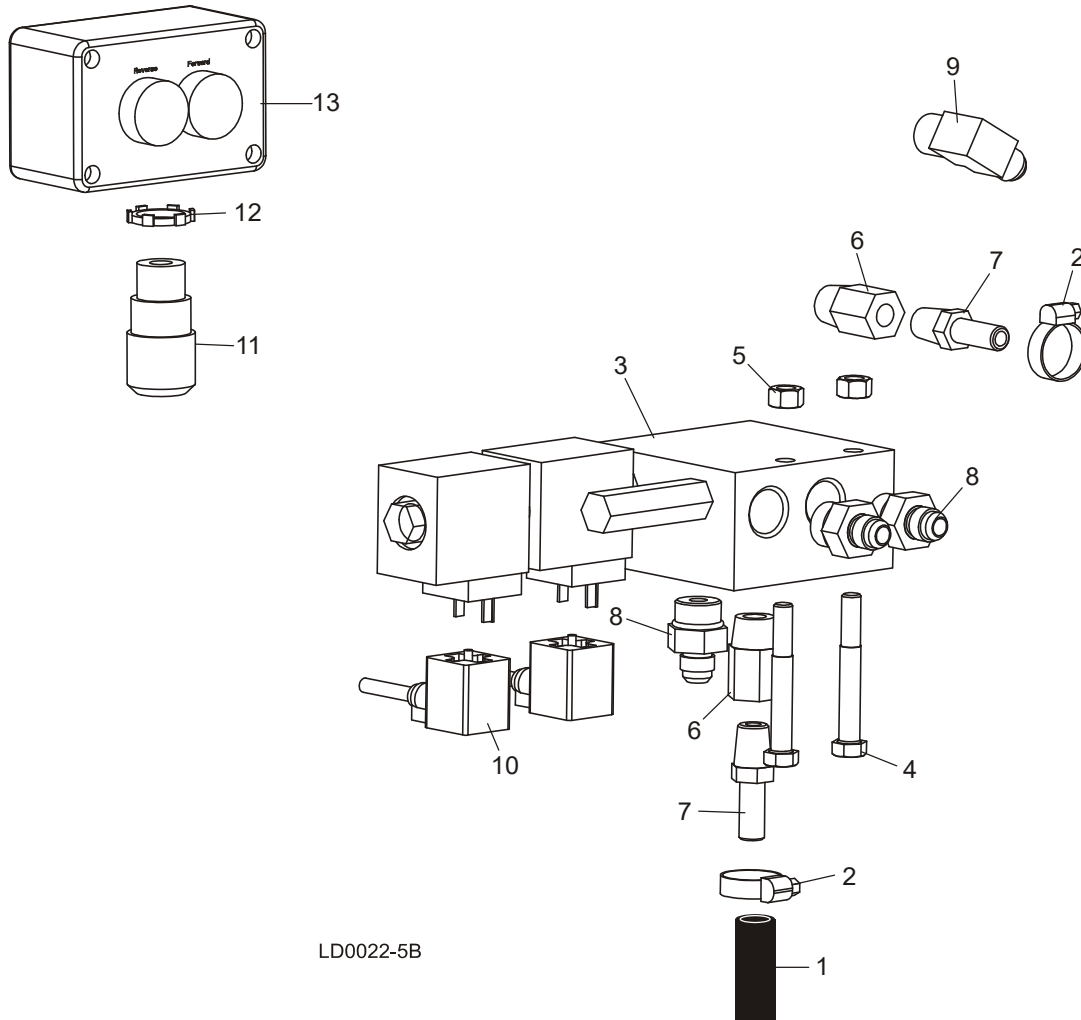
² Use 045820 to service Valve 036734 supplied after 12/10. Use 051556 to service 036733 valve supplied prior to 12/10.

³ Replaces 025295 originally supplied prior to 4/08 (vendor discontinued).

4.20 Installation Kit (LT300)

For LT300

Rev. A1.00 - A8.00



LD0022-5B

REF	DESCRIPTION (◆ Indicates Parts Available In Assemblies Only)	PART #	QTY.
	INSTALLATION KIT, LT300 LOG DECK	LD300KIT	1
	Hose, 3/8" Hydraulic Double-Braided	042828 ¹	105.66 ft.
	Fitting, 3/8" Hose End, 37° Female Swivel	042829 ¹	22
1	Hose, 3/8" Low Pressure Hydraulic	R01892-1	2 ft.
2	Clamp, 11/16" Worm	P12739	2
	Fitting, 3/8" JIC Union Small Hex	016540	2
	Fitting, 3/8" JIC 'T'	015487	2
3	Valve, Solenoid w/C.O.R.	050148	1
4	Bolt, 5/16-18 x 2 1/2" Hex Head	F05006-10	2
5	Nut, 5/16-18 Hex Lock	F05010-6	2
6	Fitting, 8 SAE x 3/8" NPT Female	P12706	2

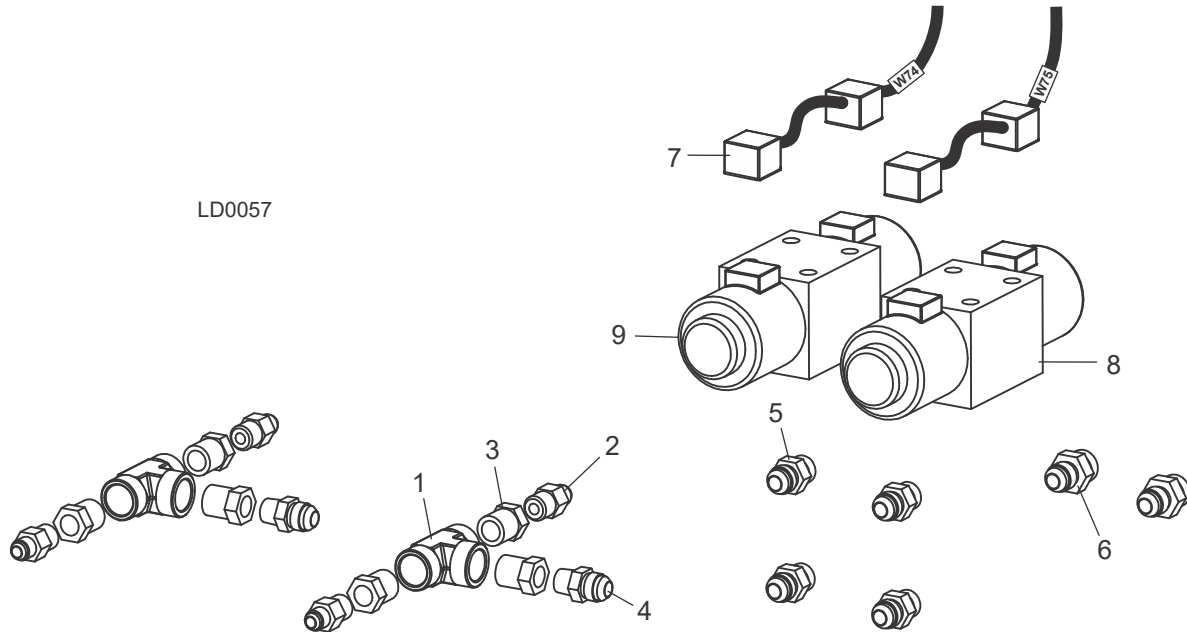
4**Replacement Parts***Installation Kit (LT300)*

7	Fitting, 3/8" NPT x 3/8" Hose Barb	P12724	2	
8	Fitting, 8 SAE x 3/8" JIC	P12703	4	
9	Fitting, 3/8" NPT x 3/8" JIC Elbow	016820	1	
	Electrical Kit, LT300 Log Deck	017627	1	
	Relay, Solid State 24V 2A DIN	024925	2	
10	Cable, 5M Form A DIN 24VDC w/LED Plug	024923	2	
11	Connector, .125 - .375 1/2" Hub Cord	E23492	4	
12	Nut, 1/2" #141 Lock	E20461	4	
13	Control Box, Log/Deck Forward/Reverse	053213 ²	1	

¹ Hose lengths provided as follows (2 fittings each): Two 19' hoses (hydraulic valve to log deck position), two 16' hoses (log deck motor to log deck valve). Two 7' hoses (loader hoses to log deck 'T's). Four 4' hoses (log deck 'T's to loader cylinders). One 2' hose (hydraulic pump manifold to log deck valve).

² Replaces 025295 originally supplied prior to 4/08 (vendor discontinued).

4.21 Installation Kit (WM4000)



REF	DESCRIPTION (◆ Indicates Parts Available In Assemblies Only)	PART #	QTY.	
	INSTALLATION KIT, WM4000 LOG DECK	LD4000KIT	1	
	Hose, 3/8" Hydraulic w/Fittings CS 72" Long HP	074184	4	
	Hose, 3/8" Hydraulic w/Fittings CS 310" Long HP	074186	4	
	Fitting Assembly, WM4000 LD Cylinder Hose "T"	074031	2	
1	Fitting, 1/2" NPT Female Tee	016793	1	
2	Fitting, 3/8" NPT-3/8" JIC Male Connector	016819	2	
3	Fitting, 1/2" NPT x 3/8" NPT Hex Reducer	028073	3	
4	Fitting, 3/8" NPT-#8 JIC Male Connector	036822	1	
5	Fitting, #8SAE-#8 JIC	028076	4	
6	Fitting, #10 SAE-#8 JIC	025963	2	
7	Control Assembly, Industrial Mill Log Deck	068211	1	◆
8	Valve, D05SD-2F-24D-35 Hyvair Hydraulic (Chain Forward/Reverse)	074100	1	
9	Valve, D05SD-2B-24D-35 Hyvair Hydraulic (Arms Up/Down)	074101	1	
	Tie Wrap, 5/16" x 15 UV Black	F05089-5	20	

INDEX

H

hydraulic 3-1
schematics 3-1

O

operation 2-1
LT300 2-128, 2-130
LT30HD/40HD/60HD/70HD 2-120
LT70HD-R 2-121, 2-122, 2-127

R

replacement parts 4-1
drive hydraulic 4-19, 4-20, 4-21
installation kit (LT300) 4-28, 4-29, 4-30, 4-32
installation kit (LT30HD/40HD/60HD/70HD) 4-22
installation kit (LT70HD-R) 4-24, 4-25, 4-26, 4-27
rail 12-ft 4-1, 4-3, 4-5
rail, 20-ft 4-7, 4-9, 4-11
stop/loader 4-13, 4-15, 4-17

S

setup
component overview 2-1
dimensions 2-2, 2-6, 2-10
electrical installation (LT300) 2-75, 2-93, 2-98,
2-112, 2-113
electrical installation (LT30HD/40HD/60HD/70HD)
2-33
electrical installation (LT70HD-R) 2-58
hydraulic installation (LT300) 2-68, 2-86, 2-107
hydraulic installation
(LT30HD/40HD/60HD/70HD) 2-22
hydraulic installation (LT70HD-R) 2-49
installation overview 2-14
log deck installation (LT300) 2-63, 2-64, 2-81, 2-82,
2-104
log deck installation (LT30HD/40HD/60HD/70HD
w/o trailer) 2-16
log deck installation (LT30HD/40HD/60HD/70HD

w/trailer) 2-16
log deck installation (LT30HD/40HD/60HD/70HD)
2-15
log deck installation (LT70HD-R) 2-39
log loader removal (LT300) 2-63, 2-81
log loader removal (LT30HD/40HD/60HD/70HD)
2-15
log loader removal (LT70HD-R) 2-39