

LT35 Debarker Option

Safety, Installation, Operation,
Maintenance & Parts Manual

076030 LT35 Debarker

rev. A.12

Safety is our #1 concern!

April 2014

Form #2048

Models Effected:

LT35

LT35HD



WARNING! Read and understand this manual before using this machine.

California
Proposition 65 Warning



WARNING: Breathing gas/diesel engine exhaust exposes you to chemicals known to the State of California to cause cancer and birth defects or other reproductive harm.

Always start and operate the engine in a well-ventilated area.
If in an enclosed area, vent the exhaust to the outside.
Do not modify or tamper with the exhaust system.
Do not idle the engine except as necessary.

For more information go to www.P65warnings.ca.gov.



WARNING: Drilling, sawing, sanding or machining wood products can expose you to wood dust, a substance known to the State of California to cause cancer. Avoid inhaling wood dust or use a dust mask or other safeguards for personal protection.

For more information go to www.P65Warnings.ca.gov/wood.

Active Patents assigned to Wood-Mizer, LLC

Wood-Mizer, LLC has received patents that protect our inventions which are a result of a dedication to research, innovation, development, and design. Learn more at: woodmizer.com/patents

©2024 Wood-Mizer LLC

Printed in the United States of America, all rights reserved. No part of this manual may be reproduced in any form by any photographic, electronic, mechanical or other means or used in any information storage and retrieval system without written permission from

Wood-Mizer, LLC
8180 West 10th Street
Indianapolis, Indiana 46214

Table of Contents

Section-Page

SECTION 1	SAFETY	1-1
1.1	Safety Symbols.....	1-1
1.2	Installation and Maintenance.....	1-1
1.3	Operation and Towing.....	1-1
SECTION 2	DEBARKER INSTALLATION	2-1
2.1	Debarker Installation	2-1
2.2	Harness Installation	2-1
2.3	Control Component Installation	2-4
SECTION 3	ALIGNMENT	3-1
SECTION 4	OPERATION AND MAINTENANCE	4-1
4.1	Locking Pin Operation	4-1
4.2	Control Overview	4-1
4.3	Operation	4-1
4.4	Maintenance	4-2
4.5	Troubleshooting.....	4-3
SECTION 5	ELECTRICAL INFORMATION	5-1
5.1	Wiring Diagrams, D24 (LT35 Rev. A6.08+/LT35HD Rev. A6.10+)....	5-1
5.2	Component List, D24 (LT35 Rev. A6.08+/LT35HD Rev. A6.10+).....	5-3
5.3	Wiring Diagrams, G25 & D17 (Rev. A6.00+)	5-4
5.4	Component List, G25 & D17 (Rev. A6.00+)	5-6
5.5	Wiring Diagrams, G25 & D17 (Rev. A4.00 - A5.00)	5-7
5.6	Wiring Diagrams, G25 & D17 (Rev. A4.00 - A5.00).....	5-8
5.7	Component List, G25 & D17 (Rev. A4.00 - A5.00)	5-9
SECTION 6	DEBARKER PARTS	6-1
6.1	Debarker Assembly	6-1
6.2	Pivot Arm Assembly	6-2
6.3	Blade Motor Assembly.....	6-4
	<i>Rev. A.07+</i>	<i>6-4</i>
6.4	Blade Motor Assembly.....	6-6
	<i>Rev. A.04 - A.06</i>	<i>6-6</i>
6.5	Debarker Solenoid Assembly	6-8
6.6	Debarker Control Assembly	6-9

SECTION 1 SAFETY

1.1 Safety Symbols

The following symbols and signal words call your attention to instructions concerning your personal safety. Be sure to observe and follow these instructions.



DANGER! indicates an imminently hazardous situation which, if not avoided, will result in serious injury or death.



WARNING! suggests a potentially hazardous situation which, if not avoided, could result in serious injury or death.



CAUTION! refers to potentially hazardous situations which, if not avoided, may result in minor or moderate injury or damage to equipment.

NOTICE indicates vital information.

1.2 Installation and Maintenance



DANGER! Make sure all electrical installation, service and/or maintenance work is performed by a qualified electrician and is in accordance with applicable electrical codes..

DANGER! Before performing any service to this equipment, turn the power toggle switch to the OFF position and disconnect the sawmill battery ground terminal.



WARNING! Before replacing the debarker blade, move the sawmill blade guide arm in front of the sawmill blade to cover the blade teeth.

1.3 Operation and Towing



DANGER! Make sure all guards and covers are in place and secured before operating the debarker option.

DANGER! Keep all persons out of the path of moving equipment when operating the debarker.



WARNING! Debarker is ON when warning light is ON (or bell sounds prior to Rev. A.07). DO NOT disconnect the warning light (or bell).

SECTION 2 DEBARKER INSTALLATION

The debarker option may be installed only to LT35 and LT35HD sawmills Rev. A4.00 and newer equipped with the new up/down system.



DANGER! Before performing any service to this equipment, turn the power toggle switch to the OFF position and disconnect the sawmill battery ground terminal. Failure to do so will result in serious injury or death.



CAUTION! Due to various design changes and past retrofits and options, you should very carefully look your mill over to determine Debarker compatibility before beginning Debarker installation.

2.1 Debarker Installation



DANGER! Always disengage the blade and shut off the sawmill engine before installing the debarker. Failure to do so will result in serious injury.

IMPORTANT! Sawmills are equipped with pre-drilled Debarker mounting holes. **Verify hole locations before beginning Debarker installation. Proper hole location is imperative for safe and effective Debarker operation.**

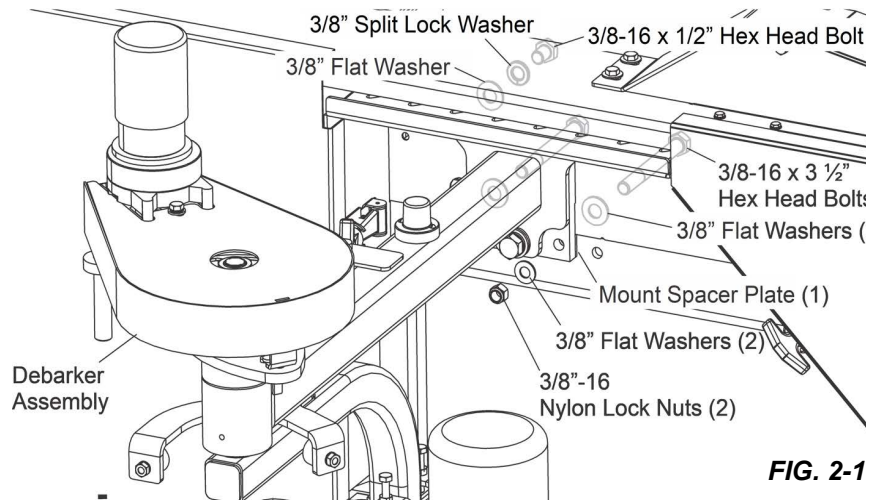


FIG. 2-1

1. Assemble the debarker assembly to the sawmill saw head. **See Fig. 2-1.**
2. Align the debarker mounting plate holes and the mounting holes in the saw head.
3. Use the provided mount spacer plate and fasteners to secure in place as shown below.
4. Make sure the debarker is square to the saw head before tightening.
5. Install the solenoid/breaker box to the saw head frame.
6. Use the two provided 1/4-20 x 3/4" hex head bolts, 1/4" split lock washers and 1/4" flat washers to secure the solenoid/breaker box to the water bottle mount bracket.

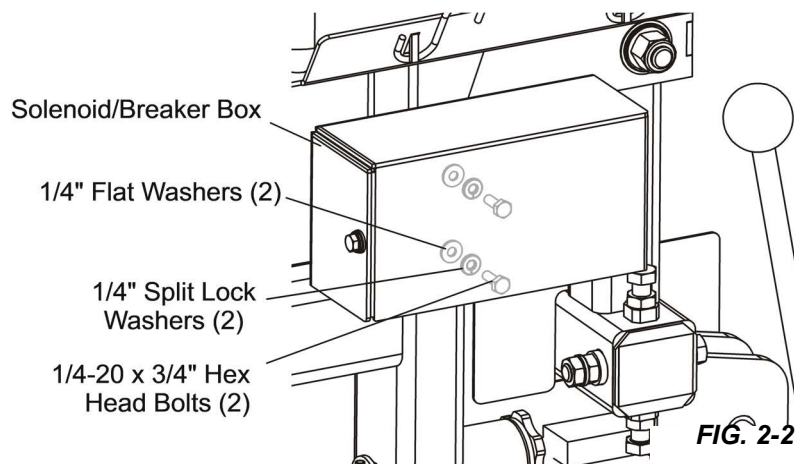


FIG. 2-2

2.2 Harness Installation



DANGER! Before performing any service to this equipment, turn the power toggle switch to the OFF position and disconnect the sawmill battery ground terminal. Failure to do so will result in serious injury or death.

NOTICE Avoid pinch and pivot points, unnecessary wire bending and open spaces where the wire could get caught by a log, etc. If you have any questions, call Wood-Mizer customer service.

1. Route the debarker motor harness through the saw head frame hole.

2. Continue routing the debarker motor harness inside the debarker frame towards the debarker blade guide arm motor and blade motor as shown below.

3. Connect the blade guide arm motor wires to the blade guide arm motor.

4. Remove the top motor cover from the blade motor and remove the top nuts from each of the blade motor terminals.

5. Route the black motor and light wires (or bell wires prior to **Rev. A.07**) through one of the provided rubber boots.

Prior to Rev. A.07: Strip the end of the black warning bell wire and install a 1/4" 14-16 gauge ring terminal. To install the 14-16 gauge ring terminal, fold the stripped end of the wire over the insulation, install the ring terminal and crimp in place.

6. Connect the black motor and light wires (or bell wires prior to **Rev. A.07**) to the negative (-) motor terminal.

7. Replace the terminal nut to secure the wires.

NOTE: Make sure that the ring terminals do not touch the motor body.

8. Route the red motor and light wires (or bell wires prior to **Rev. A.07**) through one of the provided rubber boots.

Prior to Rev. A.07: Strip the end of the red warning bell wire and install a 1/4" 14-16 gauge ring terminal. To install the 14-16 gauge ring terminal, fold the stripped end of the wire over the insulation, install the ring terminal and crimp in place.

9. Connect the red motor and light wires (or bell wires prior to **Rev. A.07**) to the positive (+) motor terminal. Replace the terminal nut to secure the wires.

NOTE: Make sure that the ring terminals do not touch the motor body.

10. Slide the rubber boots over the motor terminal posts to protect the connections.

11. Replace the top motor cover.

12. Remove the cover from the solenoid/breaker box, if necessary.

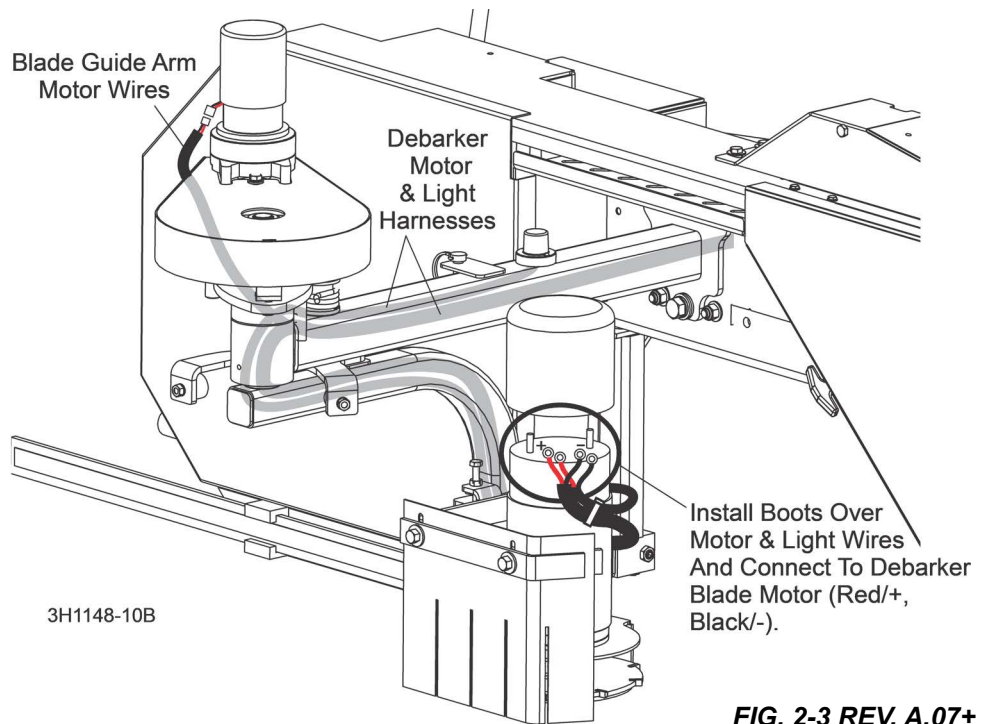


FIG. 2-3 REV. A.07+

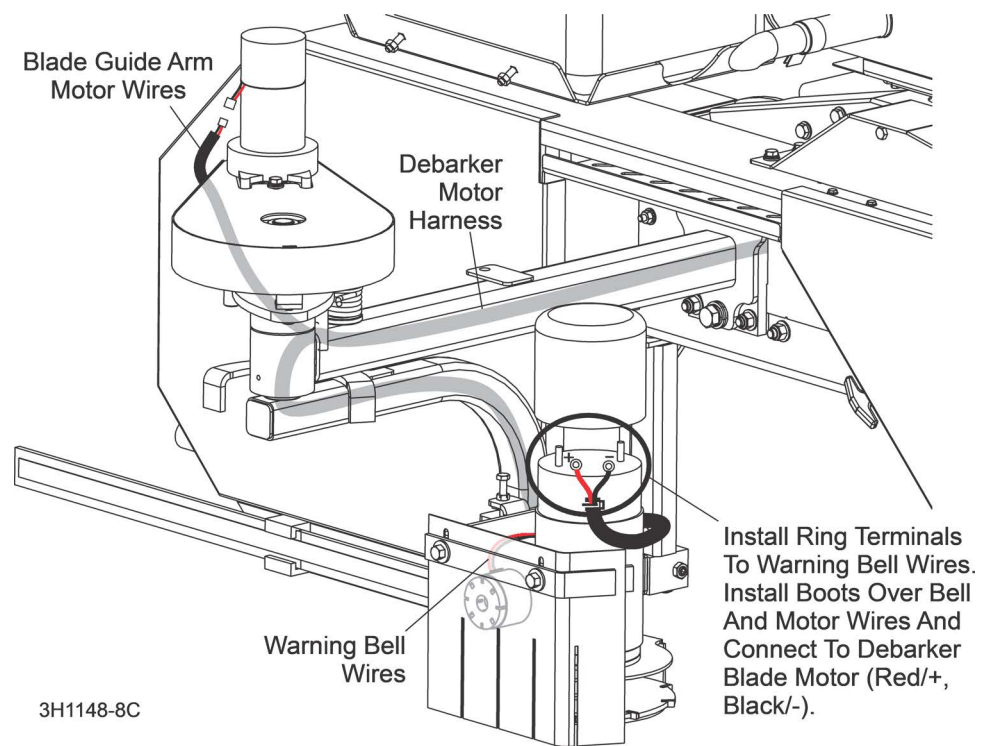
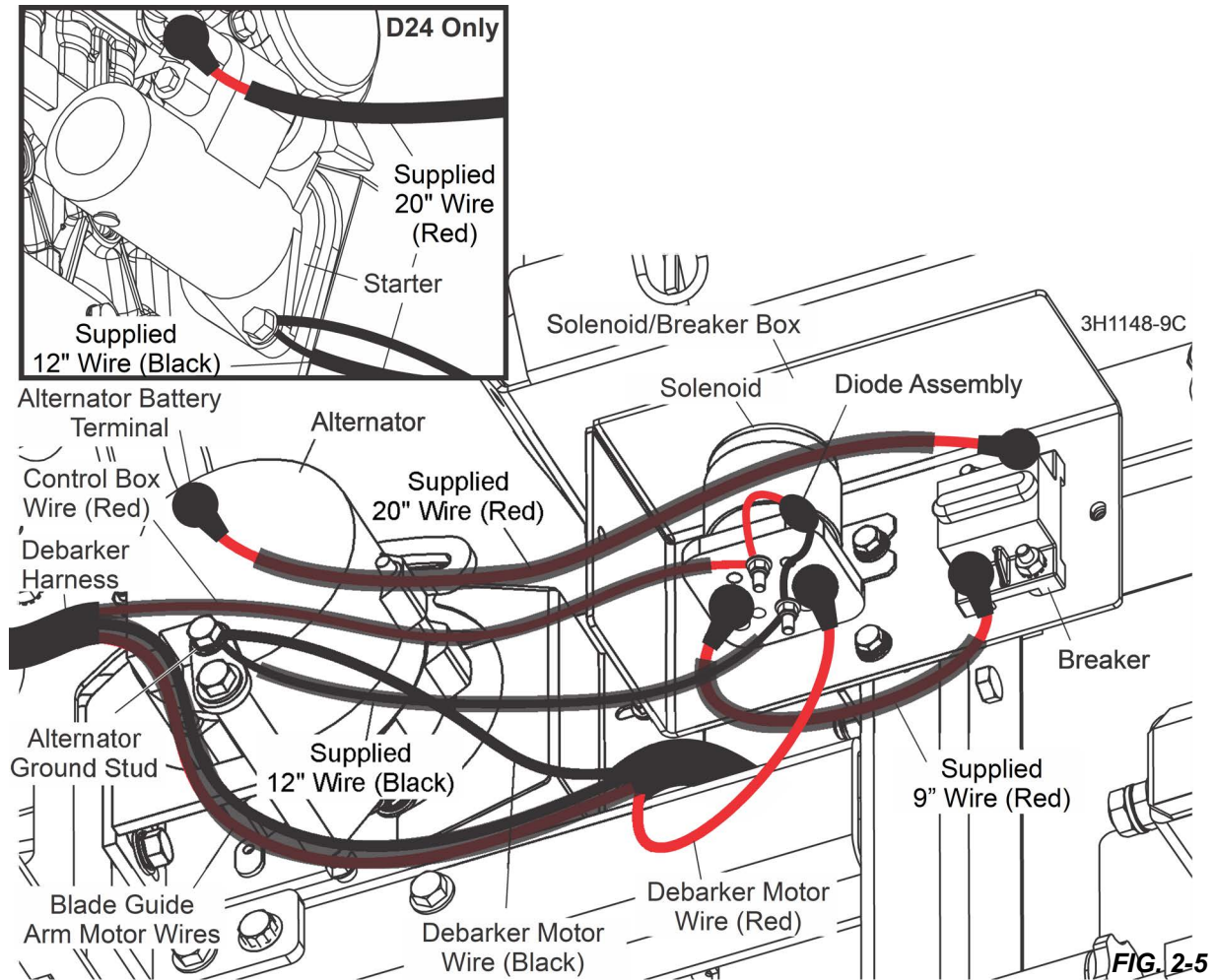


FIG. 2-4 PRIOR TO REV. A.07

13. Connect the debarker motor red wire to terminal #2 of the solenoid in the solenoid/breaker box.
14. Connect the debarker motor black wire to the alternator ground stud.
15. Locate the control box red wire with the ring terminal bundled with the existing harnesses next to the alternator.
16. Connect the control box red wire to terminal #3 of the solenoid in the solenoid/breaker box.
17. Connect one end of the supplied 20" red wire to the top terminal of the breaker in the solenoid/breaker box. **See Fig. 2-5.**



18. Connect the other end of the supplied 20" red wire to the battery terminal located on the alternator.
D24 Only: Connect the other end of the supplied 20" red wire to the battery terminal located on the starter.
19. Connect one end of the supplied 12" black wire to terminal #4 of the solenoid in the solenoid/breaker box.
20. Connect the other end of the supplied 12" black wire to the alternator ground stud.
D24 Only: Connect the other end of the supplied 12" black wire to the starter ground stud.
21. Connect one end of the supplied 9" red wire to terminal #1 of the solenoid in the solenoid/breaker box (if not already connected).
22. Connect the other end of the supplied 9" red wire to the bottom post of the 60 Amp breaker.
23. Connect the diode assembly to the solenoid in the solenoid/breaker box.
24. Connect the red wire of the diode assembly to terminal #3 of the solenoid.
25. Connect the black wire of the diode assembly to terminal #4 of the solenoid.
26. Replace the solenoid/breaker box cover and use the tie wraps to secure all the wires to the existing harnesses.

2.3 Control Component Installation



DANGER! Before performing any service to this equipment, turn the power toggle switch to the OFF position and disconnect the sawmill battery ground terminal. Failure to do so will result in serious injury or death.

See [SECTION 4](#) for the appropriate wiring diagram to aid in installation.

1. Remove the front panel (leave wire connections) from the control box.
2. Using the back side of the front panel for a guideline, cut out holes in the front panel lexan decal for the debarker on/off and in/out switches.
3. Install the provided debarker on/off and in/out switches, 1/16" nylon washers, and rubber boots in place as shown. See **Fig. 2-6**.

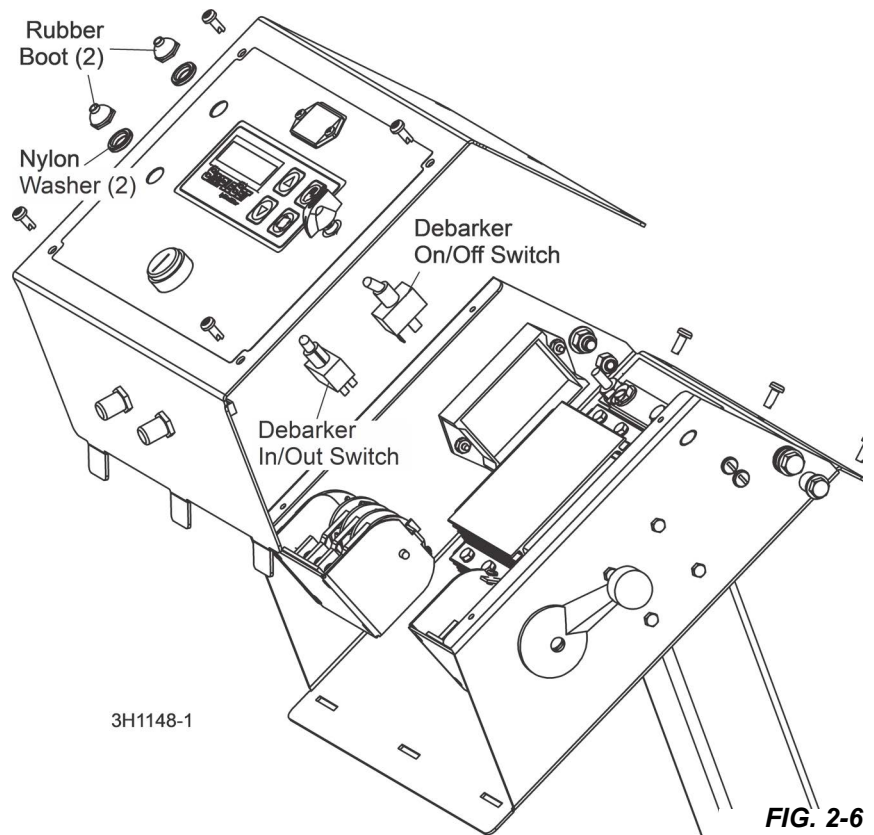


FIG. 2-6

4. See **Fig. 2-7**. Connect the red wire from the AUX post of the circuit breaker CB1 to the top terminal on the debarker on/off switch.
5. Connect the red wire labeled "3" from the debarker harness to the bottom terminal on the debarker on/off switch.
6. Connect the black wire labeled "4" from the debarker harness to the top middle terminal on the debarker in/out switch.
7. Connect the red wire labeled "5" from the debarker harness to the bottom middle terminal on the debarker in/out switch.
8. Connect the red wire from the AUX post of the circuit breaker CB2 to the top end terminal on the debarker in/out switch.
9. Connect the black wire from the ground stud to the bottom end terminal on the debarker in/out switch.

Only wires referred to here are shown.

10. Reinstall the front panel to the control box.

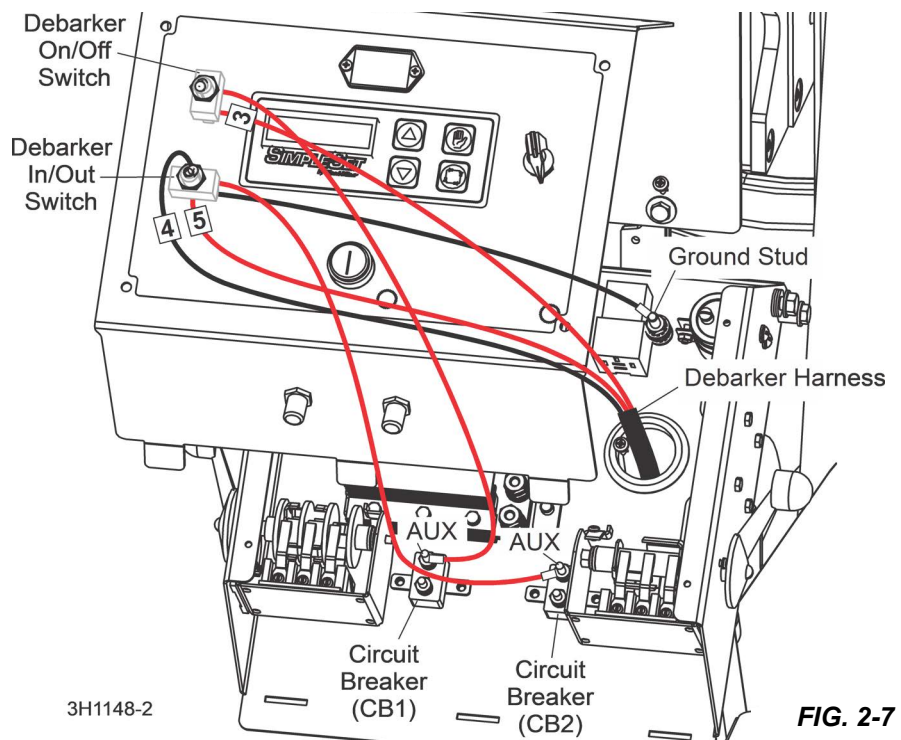


FIG. 2-7

SECTION 3 ALIGNMENT



DANGER! Before performing any service to this equipment, turn the power toggle switch to the OFF position and disconnect the sawmill battery ground terminal. Failure to do so will result in serious injury or death.

The debarker blade must be aligned to the sawmill blade to insure proper operation. The debarker blade operates parallel with and aligned vertically with the sawmill blade.

1. Use the debarker in/out switch to move the debarker all the way in.
2. Turn the power toggle switch to OFF (0) and lock the control box, to prevent the debarker from being turned on while performing alignment procedures.
3. Check the squareness of the debarker with the sawmill blade.
4. Adjust the debarker mounts if necessary until the debarker is square with the sawmill blade. **See Fig. 3-1.**
5. Loosen the debarker mounting bolts.
6. Tilt the debarker frame as necessary until the debarker is square with the sawmill blade.
7. Retighten the mounting bolts.
8. Clip the blade guide alignment tool to the sawmill blade. **See Fig. 3-2.**
9. Make sure the tool lies flat on the blade and does not contact a tooth that could cause it to angle.
10. Check the height of the debarker blade against the alignment tool.

The bottom edge of the tool should align with the center of the debarker blade.

- a. Adjust the blade up or down by loosening the four blade motor mount bolts.
- b. Loosen the jam nut on the adjustment bolt.
- c. Turn the adjustment bolt clockwise to push the motor and blade down.
- d. Turn the adjustment bolt counterclockwise and slide the motor up to raise the motor and blade.
- e. Retighten the adjustment bolt jam nut and four motor mount bolts.

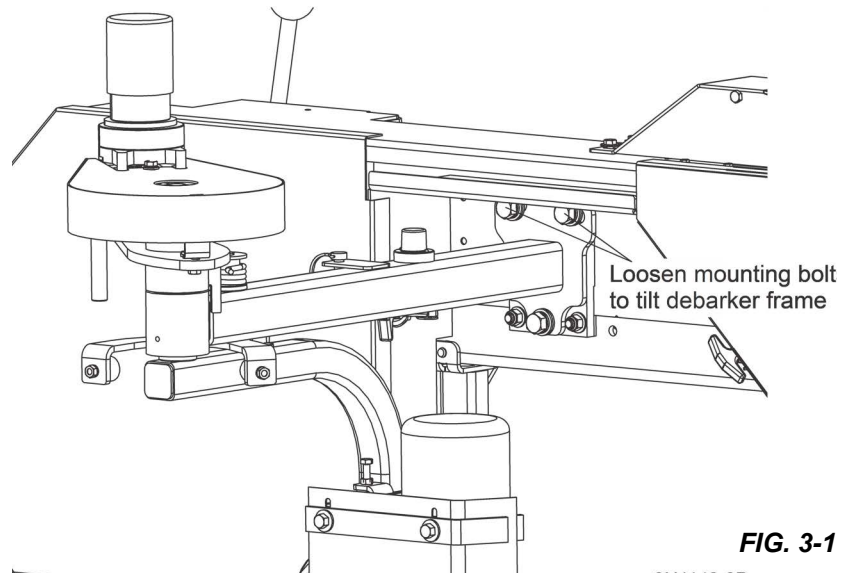


FIG. 3-1

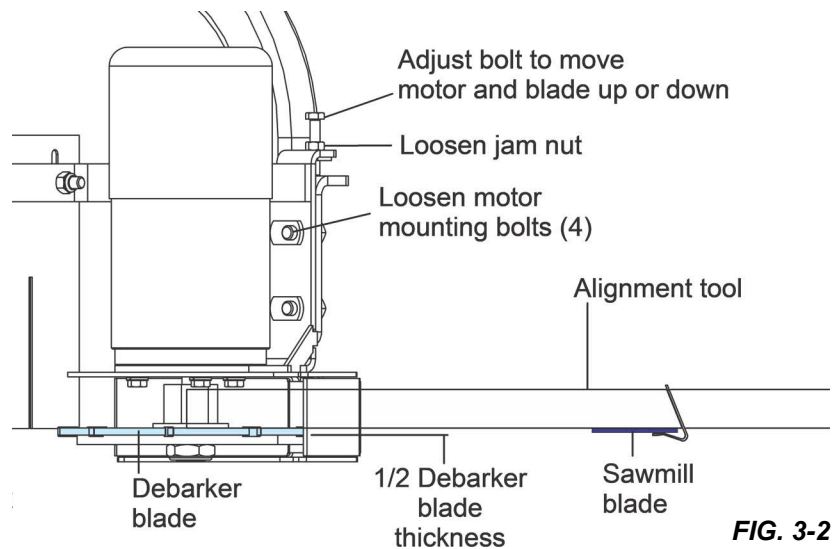


FIG. 3-2

11. Use the debarker in/out switch to move the debarker all the way out.
12. Move the blade guide alignment tool on the sawmill blade and check the position of the debarker blade against the tool.
13. Readjust the debarker mounting bolts until the debarker assembly parallel to the blade.

SECTION 4 OPERATION AND MAINTENANCE

4.1 Locking Pin Operation

The debarker is equipped with a locking pin. Insert the locking pin to lock the debarker in place when towing the sawmill. Remove the locking pin to unlock the debarker while the debarking is required during sawing.

BEFORE OPERATION

1. Make sure the locking pin is removed from its travel position.
2. Turn the power toggle switch to OFF (0).
3. Pull the debarker out to relieve pressure on the locking pin.
4. Remove the locking pin.

BEFORE TOWING

1. Lock the debarker in the travel position.
2. Use the debarker in/out switch to move the debarker all the way in.
3. Push the debarker in until the travel position holes align.
4. Insert the locking pin.

To move the debarker out of the way during sawing, use the debarker in/out switch to move the debarker all the way out.

4.2 Control Overview

The Debarker Option allows you to remove bark from logs ahead of the bandsaw blade. This prevents the bandsaw blade from contacting dirt, sand, or other debris in the bark that can dull the blade.

The debarker control includes two toggle switches.

BLADE MOTOR ON/OFF TOGGLE SWITCH

Turns the blade motor on to start the debarker blade. The sawmill power toggle switch must be on and the sawmill power feed joystick must be activated in the forward direction before the blade motor can be turned on.

DEBARKER IN/OUT SWITCH

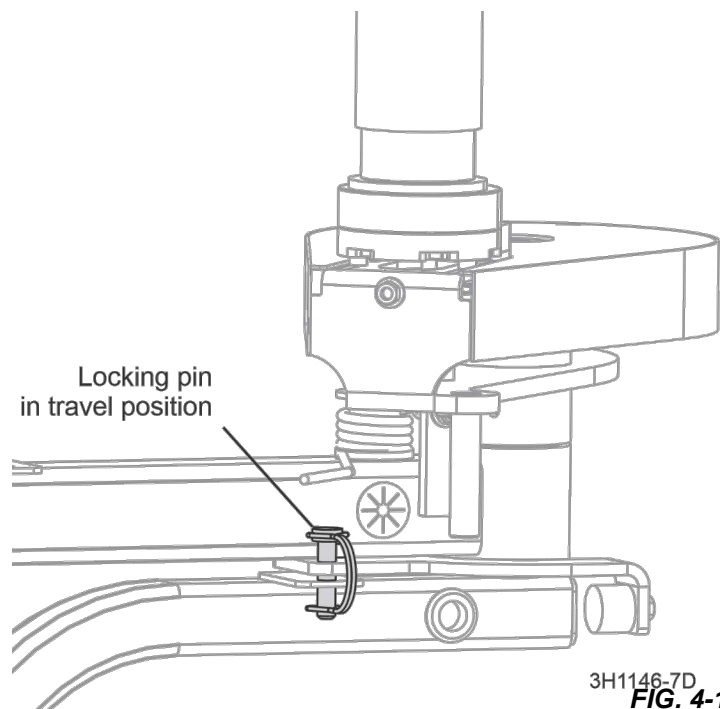
Moves the debarker cutting head toward or away from the log.

4.3 Operation



DANGER! Make sure all guards and covers are in place and secured before operating the debarker option. Failure to do so may result in serious injury.

DANGER! Keep all persons out of the path of moving equipment when operating the debarker. Failure to do so will result in serious injury.



3H1146-7D
FIG. 4-1

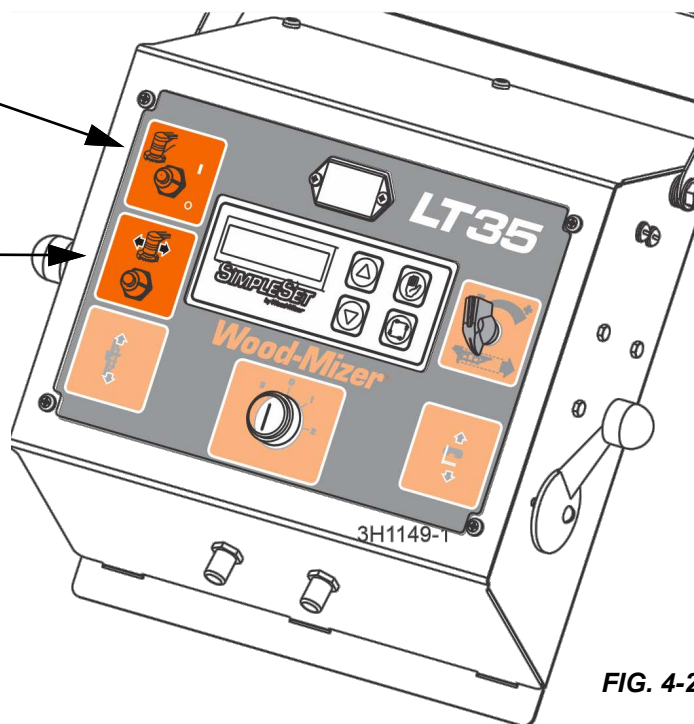


FIG. 4-2

1. Make sure the warning light is on (or bell sounds prior to Rev. A.07) when the debarker is turned on.



WARNING! Debarker is ON when warning light is ON (or bell sounds (prior to Rev. A.07)). DO NOT disconnect the warning light (or bell). Doing so may result in serious injury.

2. Use the in/out switch to pivot the debarker all the way out.
3. Move the sawmill carriage forward and pivot the debarker in until the debarker blade engages with the end/side of the log.
4. Turn the debarker on/off switch to ON (1).
5. Proceed with cutting. The in/out switch will keep the debarker against the side of the log. Depending on log shape, you may have to pivot the debarker in and out for smooth cutting.

NOTE: The debarker can continuously remove up to approximately 1” of material from the log; no motor cool down time is required. Slower feed rates may be required for optimal debarker operation.

6. Once the carriage is past the end of the log, pivot the debarker away from the log. Return the carriage.

NOTE: Always remember to pivot the debarker out of the way of the log before returning the carriage after the cut. **DO NOT** move the carriage forward while the debarker is contacting the log without the blade spinning.

7. When done sawing and ready to store or transport the sawmill, place the debarker in its travel position before towing the sawmill ([See Section 4.1](#)).

4.4 Maintenance



WARNING! Before performing any service to this equipment, turn the power toggle switch to the OFF position and disconnect the sawmill battery ground terminal. Failure to do so will result in serious injury or death.

1. Periodically check the flexible guard. Replace the guard as needed.
2. Periodically check the debarker blade. Align or replace as needed.



WARNING! Before replacing the debarker blade, move the sawmill blade guide arm in front of the sawmill blade to cover the blade teeth.

BLADE REPLACEMENT

1. Place one wrench on the blade holder bushing, above the blade.
2. Place the other wrench on the lower hex nut.
3. Remove the hex nut and washer.
4. Remove the blade and washer.
5. Reinstall the washer with the new blade.
6. Reinstall the hex nut and washer and **tighten to 35 foot-pounds (±5)**.



CAUTION! Tighten the blade hex nut manually. Using power-assisted tools may result in over-torquing and damage to the bolt.

4.5 Troubleshooting

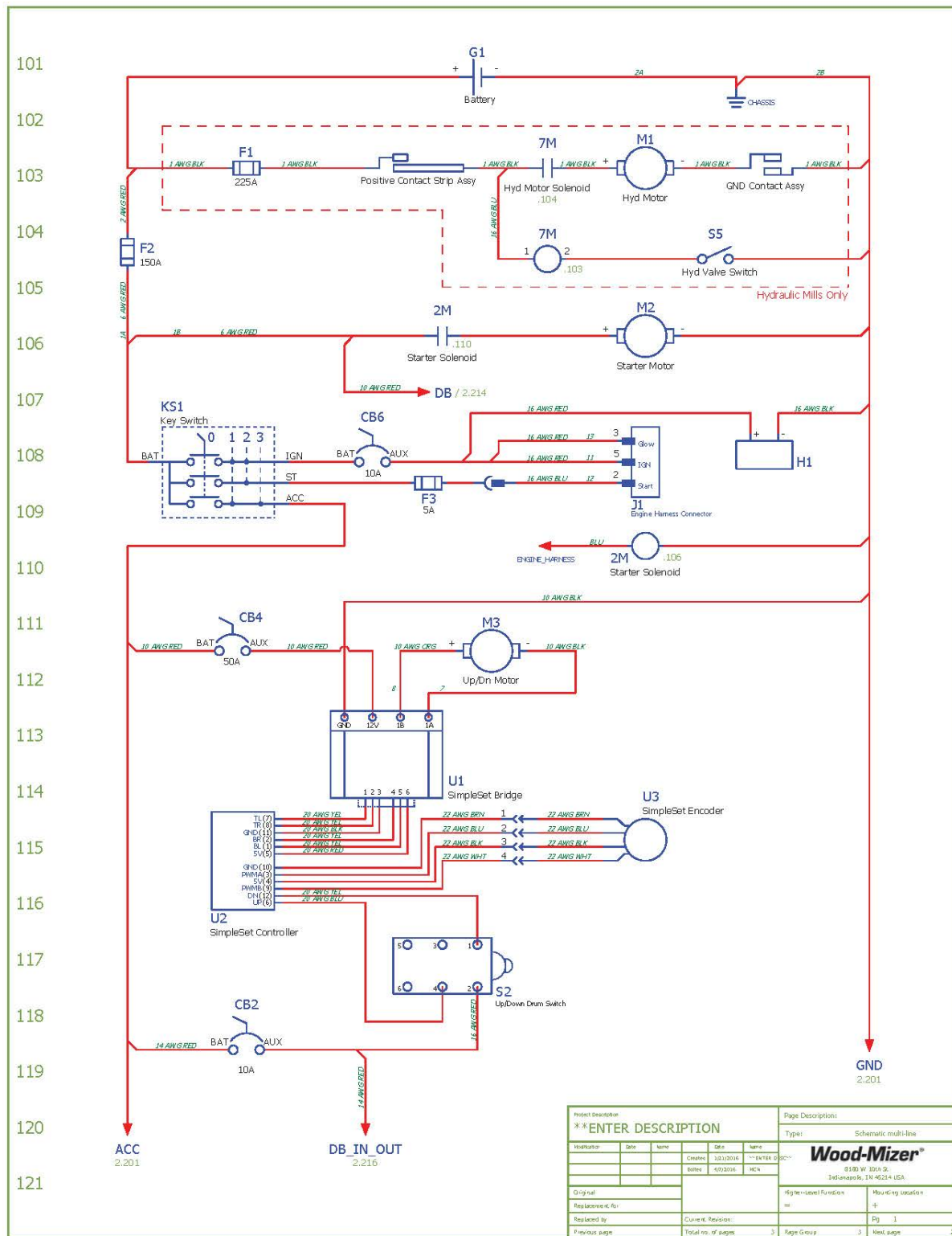


DANGER! Before performing any service to this equipment, turn the power toggle switch to the OFF position and disconnect the sawmill battery ground terminal. Failure to do so will result in serious injury or death.

PROBLEM	CAUSE	SOLUTION
Circuit breaker tripping	Wood or bark jammed in blade guard Circuit breaker weak from repeated tripping.	Turn power toggle switch to OFF position. Remove wood or bark from blade guard Replace circuit breaker
Light comes on, but debarker motor and warning light (or horn prior to Rev. A.07) do not operate	Circuit breaker tripped	Reset circuit breaker.
Debarker shuts off, but the circuit breaker is not tripped.	Loose wiring connection	Check wiring connections inside control box.
Debarker will not shut off.	Solenoid is stuck closed.	Replace solenoid.

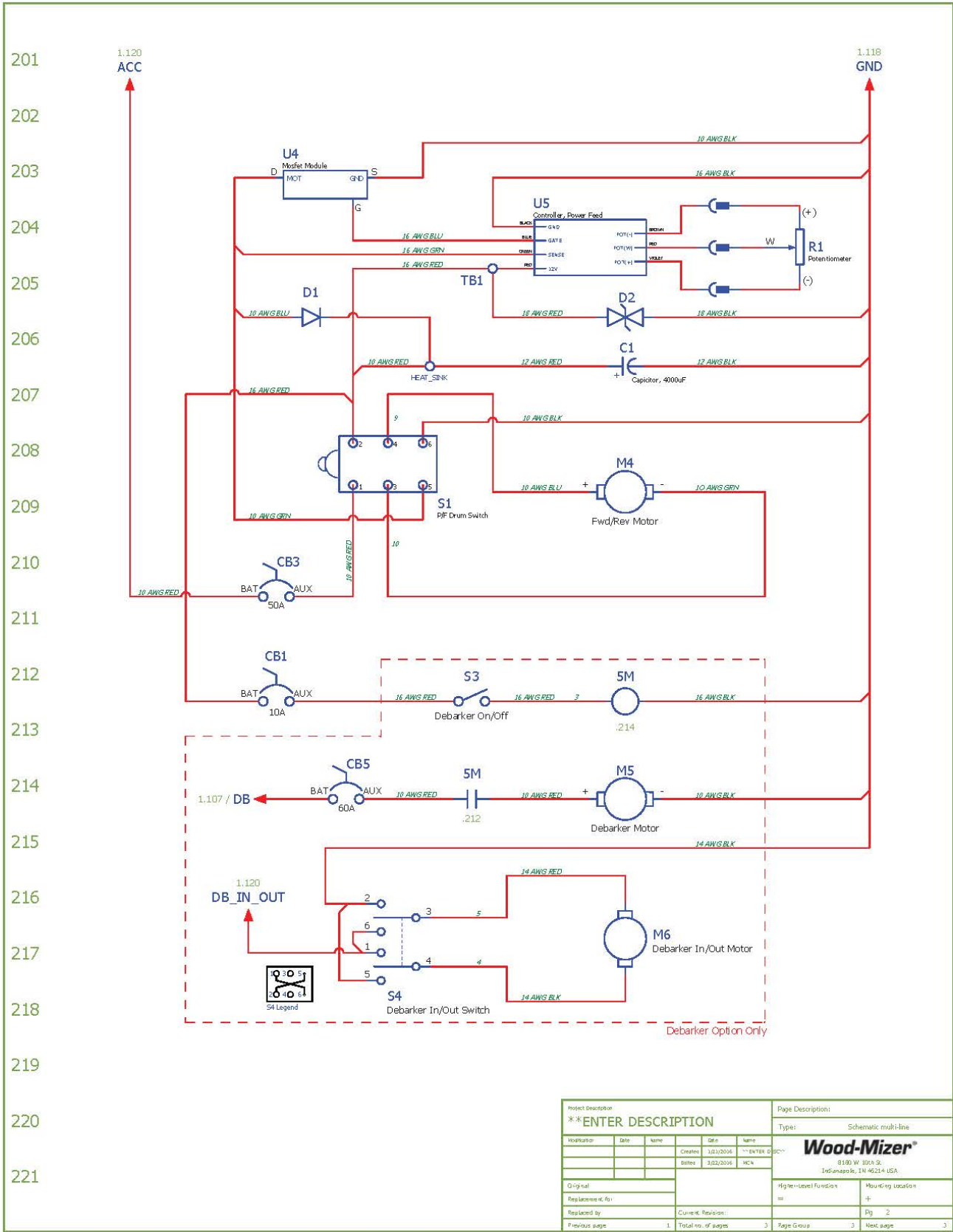
SECTION 5 ELECTRICAL INFORMATION

5.1 Wiring Diagrams, D24 (LT35 Rev. A6.08+/LT35HD Rev. A6.10+)



Project Description					Page Description:	
**ENTER DESCRIPTION					Type: Schematic multi-line	
Modification	Date	Name	Date	Name	Wood-Mizer®	
			Created: 10/1/2014	**ENTER D	8180 W. 10th St.	
			Revised: 4/2/2014	HCN	Indianapolis, IN 46214-USA	
Original					Higher-level function	Mounting location
Replaces K.F. for					no	+
Replaced by			Current Revision:		Pg	1
Previous page			Total no. of pages:	3	Page Group:	3
					Next page:	2

FIG. 5-1 PAGE 1 OF 2



Project Description						Page Description:	
**ENTER DESCRIPTION						Type: Schematic multi-line	
Modification	Date	Name	Qty	Name	Wood-Mizer® 8180 W. 55th St. Indianapolis, IN 46214 USA		
		Created	1/21/2016	TY-DWTR 0100			
		Enter	3/02/2016	HCN	Original		
		Replaces			High-Level Function	Mounting Location	
		Replaces			is	+	
		Replaces			Current Revision:	Pg. 2	
		Previous page	1	Total no. of pages	3	Page Group	3
						Next page	3

FIG. 5-2 PAGE 2 OF 2

5.2 Component List, D24 (LT35 Rev. A6.08+/LT35HD Rev. A6.10+)

Component List				
Item	Mfg. Part No.	Mfg.	Wood-Mizer Part No.	Description
C1	052365	Wood-Mizer, LLC	052365	Capacitor Assembly, P/F Filter
CB1	75105	Various	053464	Circuit Breaker, 10A Manual Reset
CB2	75105	Various	053464	Circuit Breaker, 10A Manual Reset
CB3	1648-009-050-006	Mechanical products	024256	Circuit Breaker, 50A
CB4	1648-009-050-006	Mechanical products	024256	Circuit Breaker, 50A
CB5	1648-009-050-006	Mechanical products	024256	Circuit Breaker, 50A
CB6	75105	Various	053464	Circuit Breaker, 10A Manual Reset
D1	052363	Wood-Mizer, LLC	052363	Diode Assembly
D2	052294	Wood-Mizer, LLC	052294	Suppressor Assembly, 92+ Power Feed
F1	MEG225	Littelfuse	053339	MEGA Fuse 225A
F2	MEG150	Littelfuse	052370-150	MEGA Fuse 150A
F3	LTFS-0287005.L	Littelfuse	024150-5	Fuse, 5AATO Blade Tan
G1	24M7 wet	East Penn Manufacturing (Deka)	P12315	Battery, 12V 24M7
H1	N430-0200-8111 & 801-416 015401	Sendec	015401	Meter, Hour
KS1	1218 W/BOOT	---	P04350	Switch, Key
M1	4085-018	Iskra	038683	Motor, Hydraulic Pump
M3	4085-018	Current Applications	006747	0.50 HP DC Motor
M4	4085-018	Current Applications	006747	0.50 HP DC Motor
M5	4085-018	Current Applications	006747	0.50 HP DC Motor
R1	076050	Wood-Mizer, LLC	076050	Potentiometer, 1K
S2	2601AF2S12	Schneider Electric	---	Drum Switch, U/D
S5	024198	Wood-Mizer, LLC	024198	Switch, Hydraulic Micro
U1	053373	Wood-Mizer, LLC	053373	Bridge, SS Key
U2	053774	Key Electronics	053774	Controller, SimpleSet Key
U3	074021	Wood-Mizer, LLC	074021	Encoder Assembly, SimpleSet
U4	024387	Key Electronics	024387	Module, Mosfet
U5	024396	Key Electronics	024396	Controller, Power Feed

5.3 Wiring Diagrams, G25 & D17 (Rev. A6.00+)

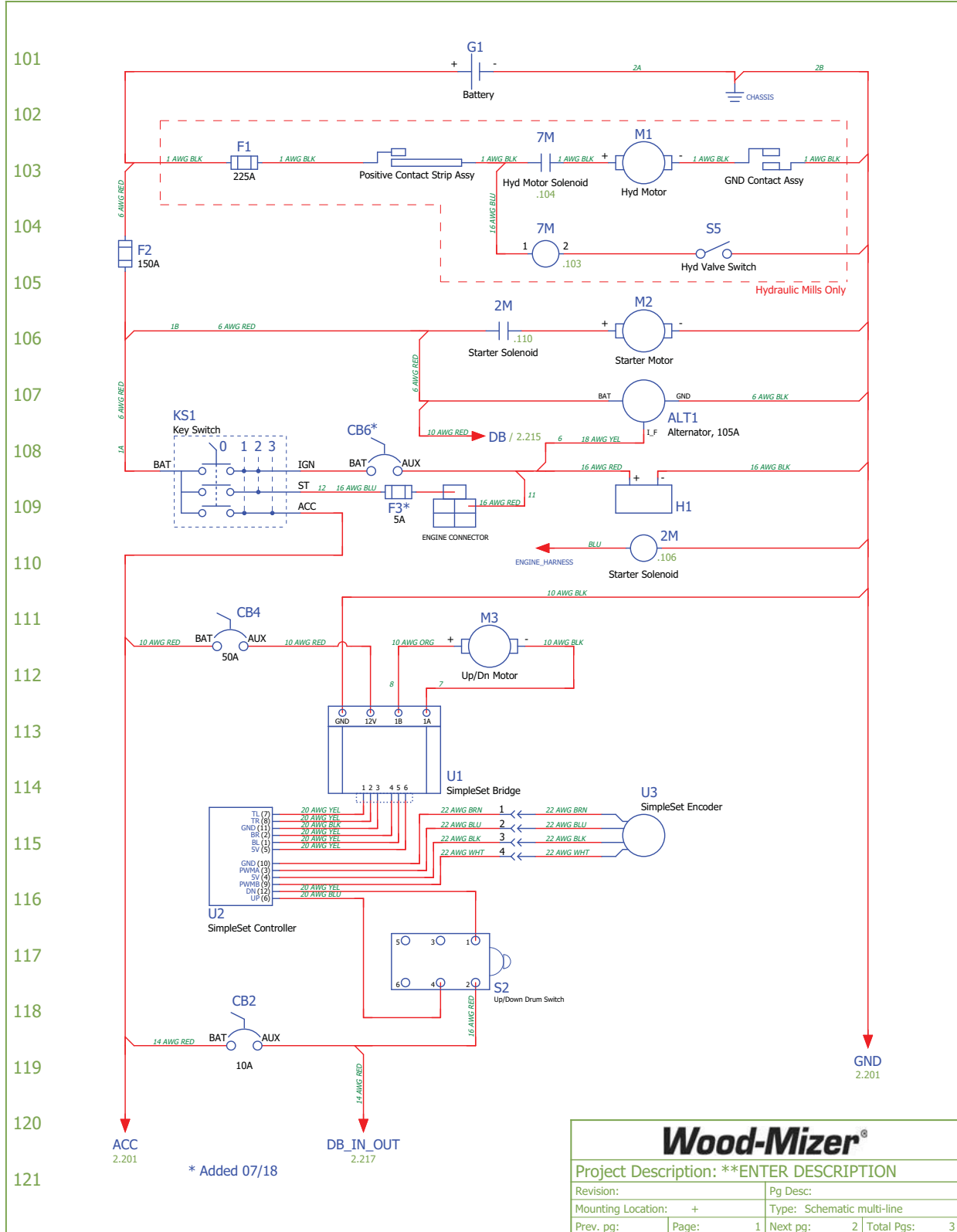


FIG. 5-3 PAGE 1 OF 2

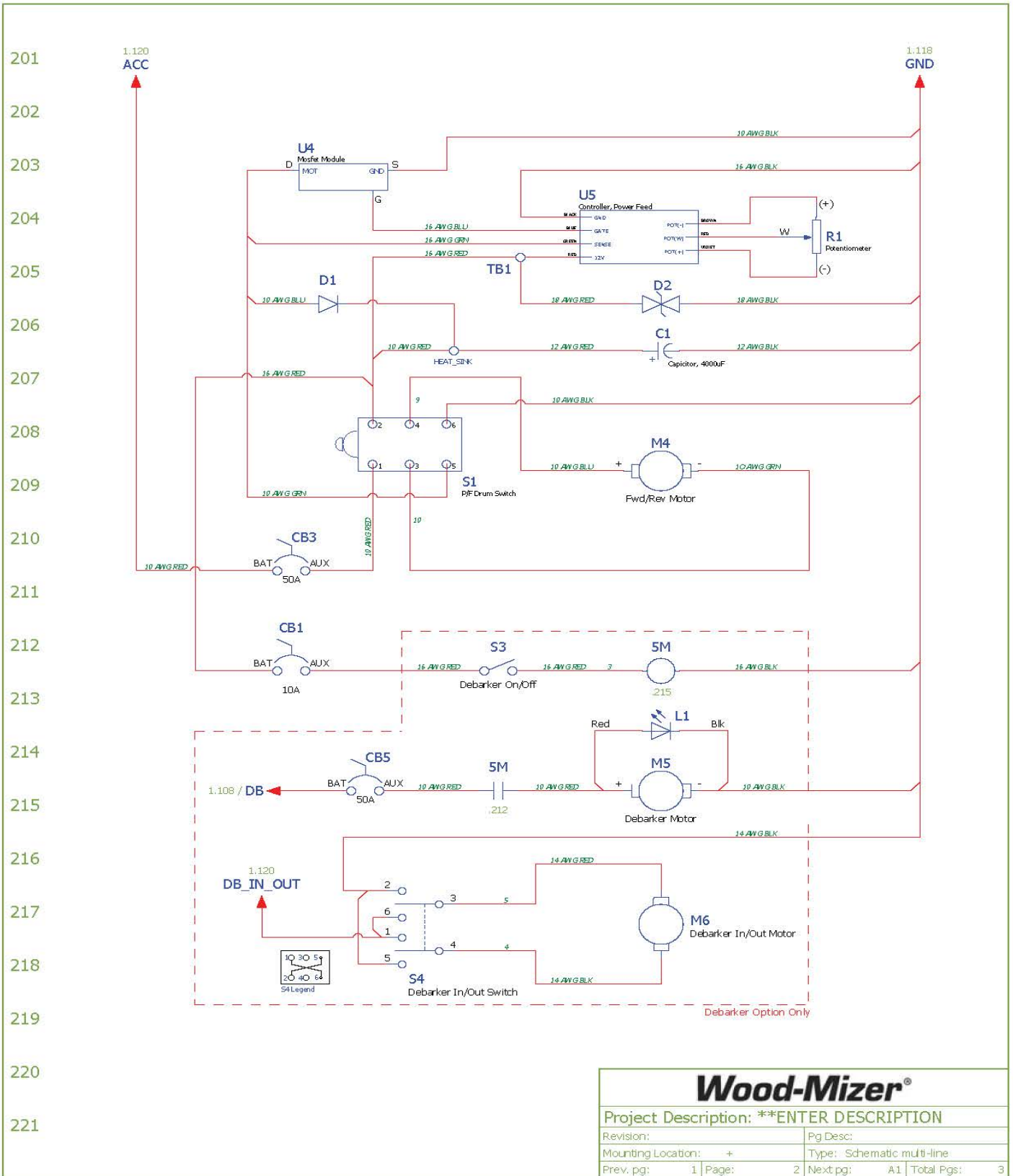


FIG. 5-4 PAGE 2 OF 2

5.4 Component List, G25 & D17 (Rev. A6.00+)

Component List				
Item	Mfg. Part No.	Mfg.	Wood-Mizer Part No.	Description
ALT1	050287	Delphi	050287	Alternator, 105A
C1	052365	Wood-Mizer, LLC	052365	Capacitor Assembly, P/F Filter
CB1	75115	Various	E20430	Circuit Breaker, 15A
CB2	75115	Various	E20430	Circuit Breaker, 15A
CB3	1648-009-050-006	Mechanical products	024256	Circuit Breaker, 50A
CB4	1648-009-050-006	Mechanical products	024256	Circuit Breaker, 50A
CB5	1648-009-050-006	Mechanical products	024256	Circuit Breaker, 50A
D1	052363	Wood-Mizer, LLC	052363	Diode Assembly
D2	052294	Wood-Mizer, LLC	052294	Suppressor Assembly, 92+ Power Feed
F1	MEG225	Littelfuse	053339	MEGA Fuse 225A
F2	MEG150	Littelfuse	052370-150	MEGA Fuse 150A
G1	24M7 wet	East Penn Manufacturing (Deka)	P12315	Battery, 12V 24M7
H1	N430-0200-8111 & 801-416 015401	Sendec	015401	Meter, Hour
KS1	1218 W/BOOT	---	P04350	Switch, Key
M1	4085-018	Iskra	038683	Motor, Hydraulic Pump
M3	4085-018	Current Applications	006747	0.50 HP DC Motor
M4	4085-018	Current Applications	006747	0.50 HP DC Motor
M5	4085-018	Current Applications	006747	0.50 HP DC Motor
R1	076050	Wood-Mizer, LLC	076050	Potentiometer, 1K
S2	2601AF2S12	Schneider Electric	---	Drum Switch, U/D
S5	024198	Wood-Mizer, LLC	024198	Switch, Hydraulic Micro
U1	053373	Wood-Mizer, LLC	053373	Bridge, SS Key
U2	053774	Key Electronics	053774	Controller, SimpleSet Key
U3	074021	Wood-Mizer, LLC	074021	Encoder Assembly, SimpleSet
U4	024387	Key Electronics	024387	Module, Mosfet
U5	024396	Key Electronics	024396	Controller, Power Feed

5.5 Wiring Diagrams, G25 & D17 (Rev. A4.00 - A5.00)

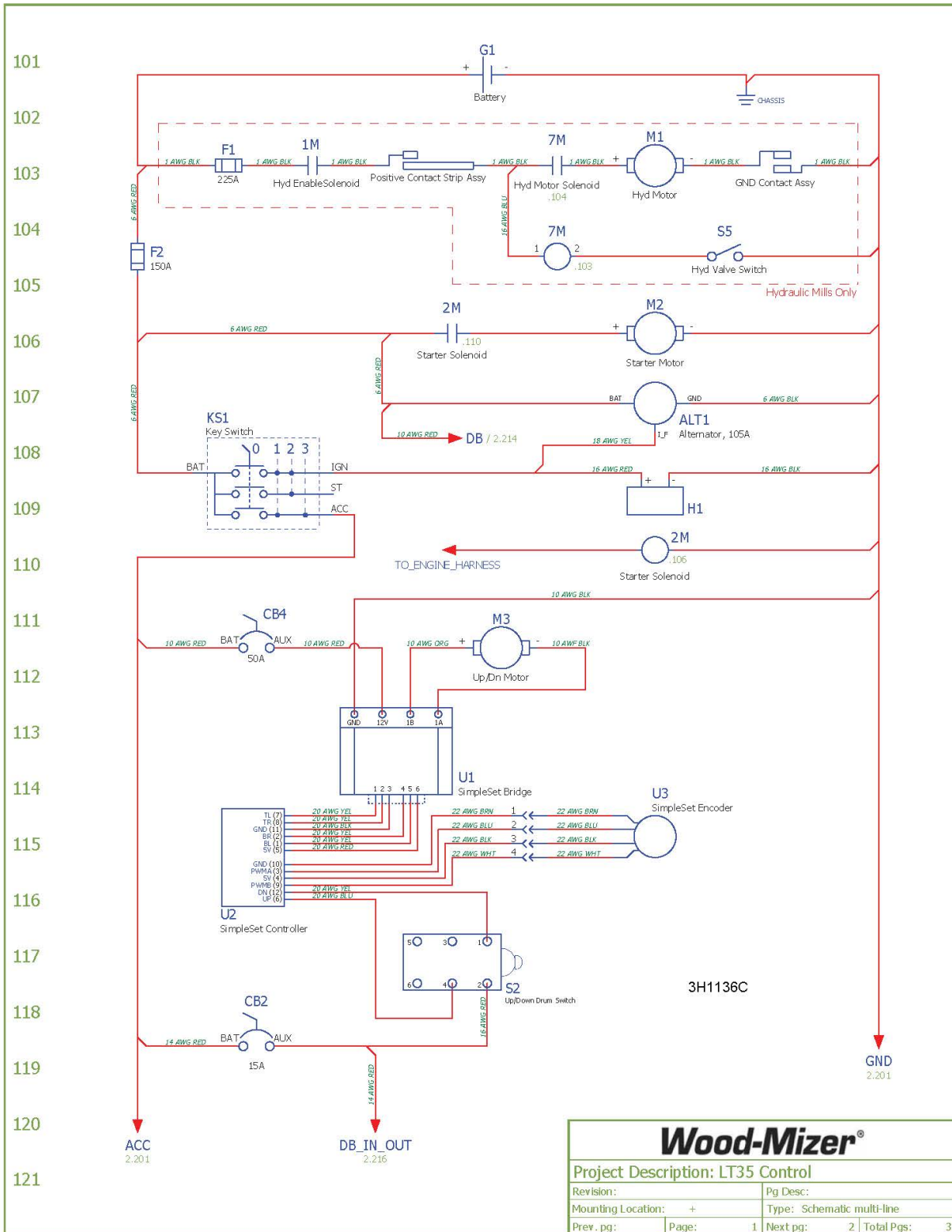


FIG. 5-5 PAGE 1 OF 2

5.6 Wiring Diagrams, G25 & D17 (Rev. A4.00 - A5.00)

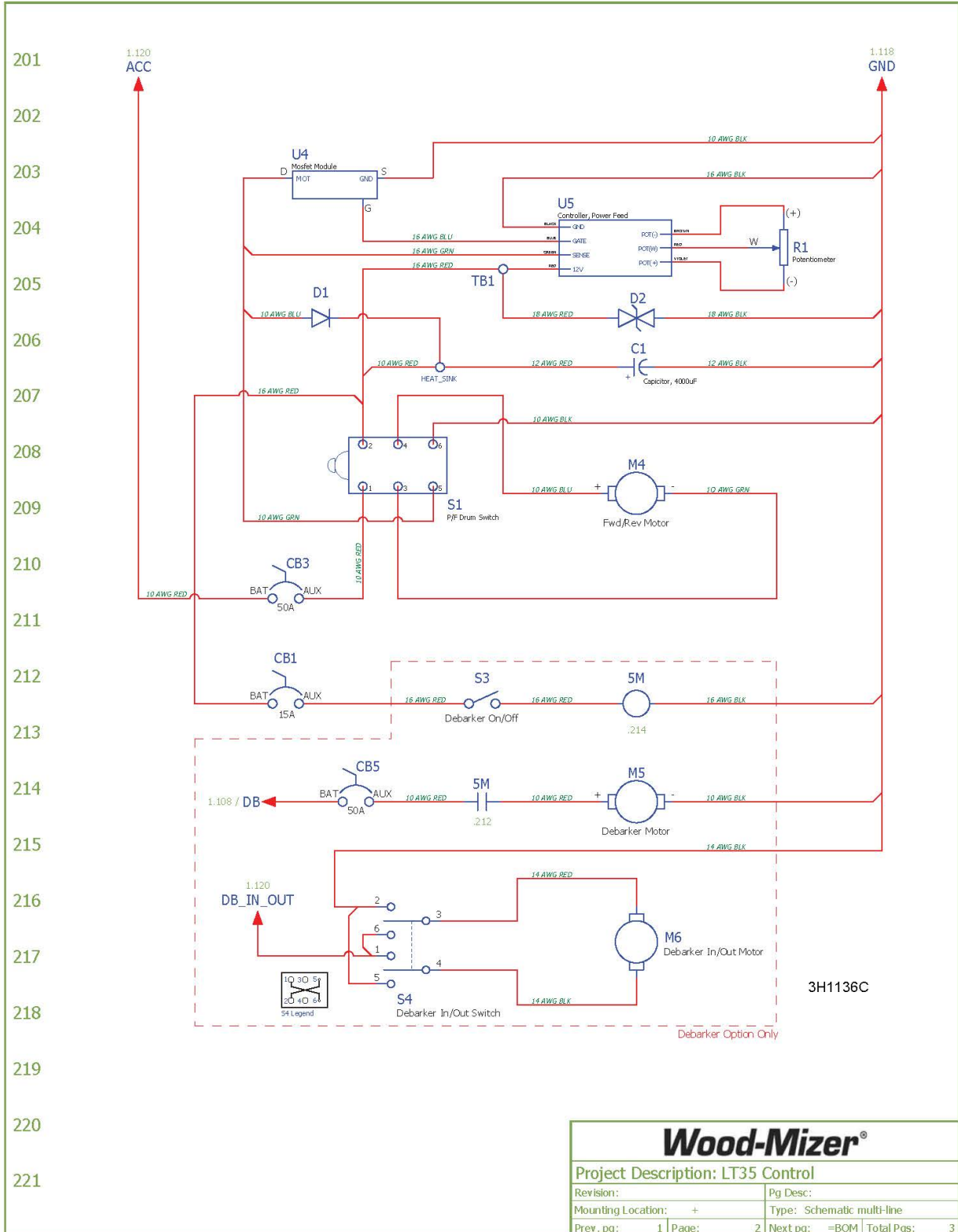


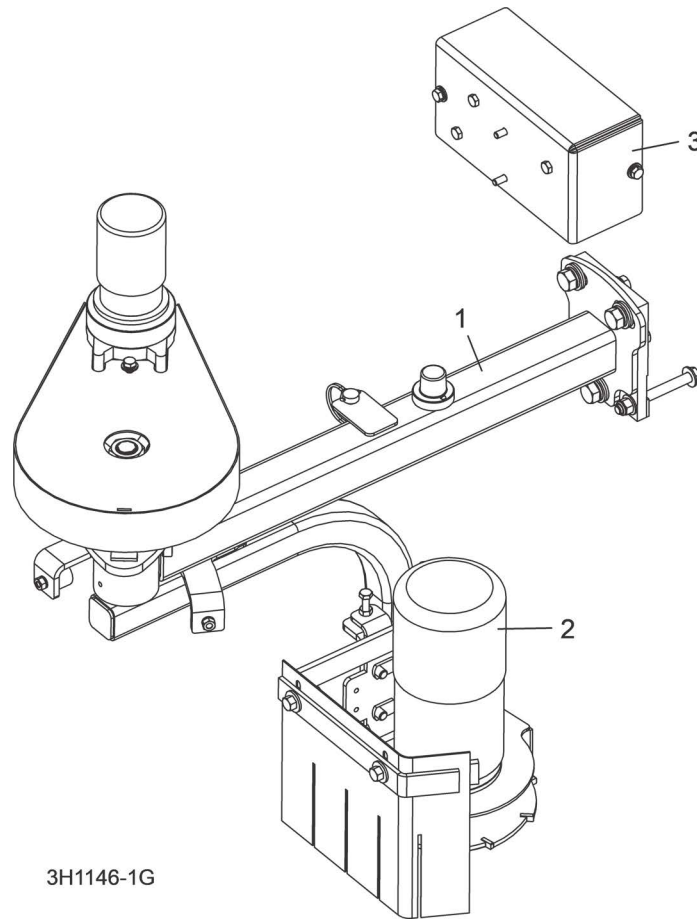
FIG. 5-6 PAGE 2 OF 2

5.7 Component List, G25 & D17 (Rev. A4.00 - A5.00)

Component List				
Item	Mfg. Part No.	Mfg.	Wood-Mizer Part No.	Description
ALT1	050287	Delphi	050287	Alternator, 105A
C1	052365	Wood-Mizer, LLC	052365	Capacitor Assembly, P/F Filter
CB1	75115	Various	E20430	Circuit Breaker, 15A
CB2	75115	Various	E20430	Circuit Breaker, 15A
CB3	1648-009-050-006	Mechanical products	021256	Circuit Breaker, 50A
CB4	1648-009-050-006	Mechanical products	021256	Circuit Breaker, 50A
CB5	1648-009-050-006	Mechanical products	021256	Circuit Breaker, 50A
D1	052363	Wood-Mizer, LLC	052363	Diode Assembly
D2	052294	Wood-Mizer, LLC	052294	Suppressor Assembly, 92+ Power Feed
F1	MEG225	Littelfuse	053339	MEGA Fuse 225A
F2	MEG150	Littelfuse	052370-150	MEGA Fuse 150A
G1	24M7 wet	East Penn Manufacturing (Deka)	P12315	Battery, 12V 24M7
H1	N430-0200-8111 & 801-416 015401	Sendec	015401	Meter, Hour
KS1	1218 W/BOOT	---	P04350	Switch, Key
M1	4085-018	Iskra	038683	Motor, Hydraulic Pump
M3	4085-018	Current Applications	006747	0.50 HP DC Motor
M4	4085-018	Current Applications	006747	0.50 HP DC Motor
M5	4085-018	Current Applications	006747	0.50 HP DC Motor
R1	076050	Wood-Mizer, LLC	076050	Potentiometer, 1K
S2	2601AF2S12	Schneider Electric	---	Drum Switch, U/D
S5	024198	Wood-Mizer, LLC	024198	Switch, Hydraulic Micro
U1	053373	Wood-Mizer, LLC	053373	Bridge, SS Key
U2	053774	Key Electronics	053774	Controller, SimpleSet Key
U3	074021	Wood-Mizer, LLC	074021	Encoder Assembly, SimpleSet
U4	024387	Key Electronics	024387	Module, Mosfet
U5	024396	Key Electronics	024396	Controller, Power Feed

SECTION 6 DEBARKER PARTS

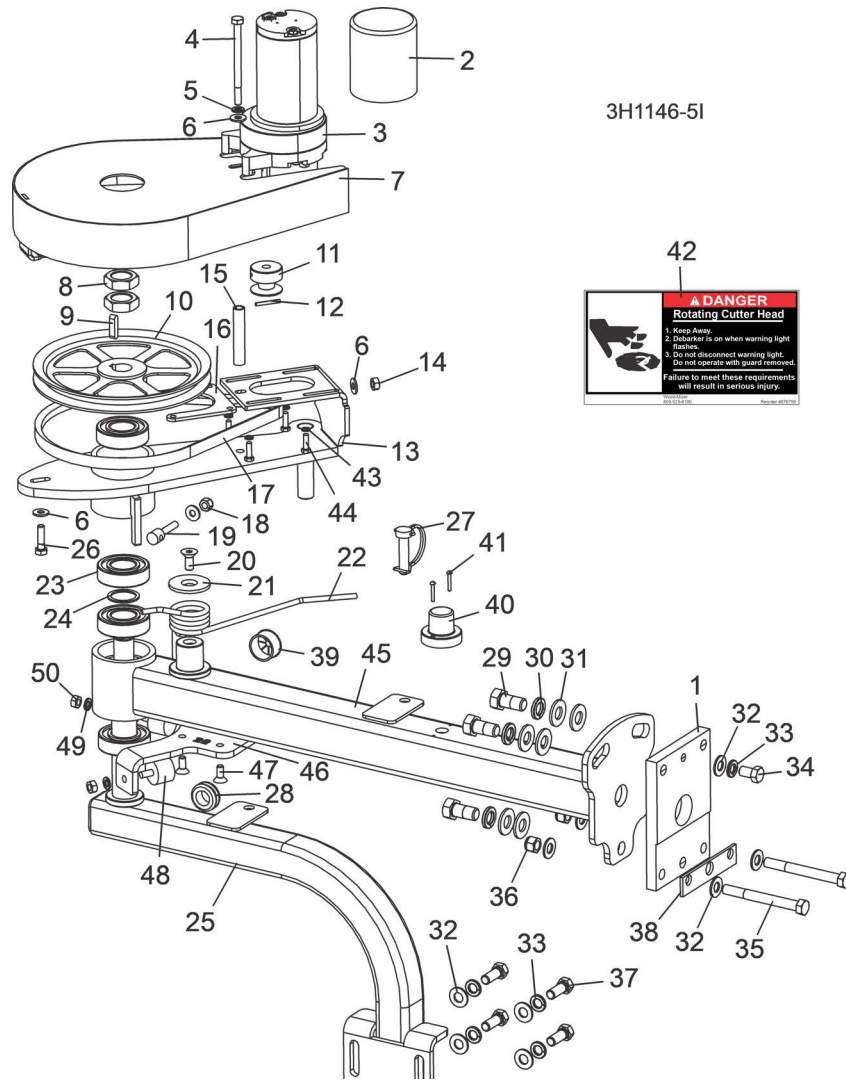
6.1 Debarker Assembly



3H1146-1G

REF	PART #	DESCRIPTION	COMMENTS	QTY.
	076030-FI	DEBARKER ASSEMBLY, LT35 (BOXED) (2014)		1
	076030	DEBARKER ASSEMBLY, LT35 (2014)		1
1		Pivot Arm Parts	(See Section 6.2)	
2		Cutter Head Parts	(See Section 6.3)	
3		Solenoid/Debarker Parts	(See Section 6.5)	

6.2 Pivot Arm Assembly

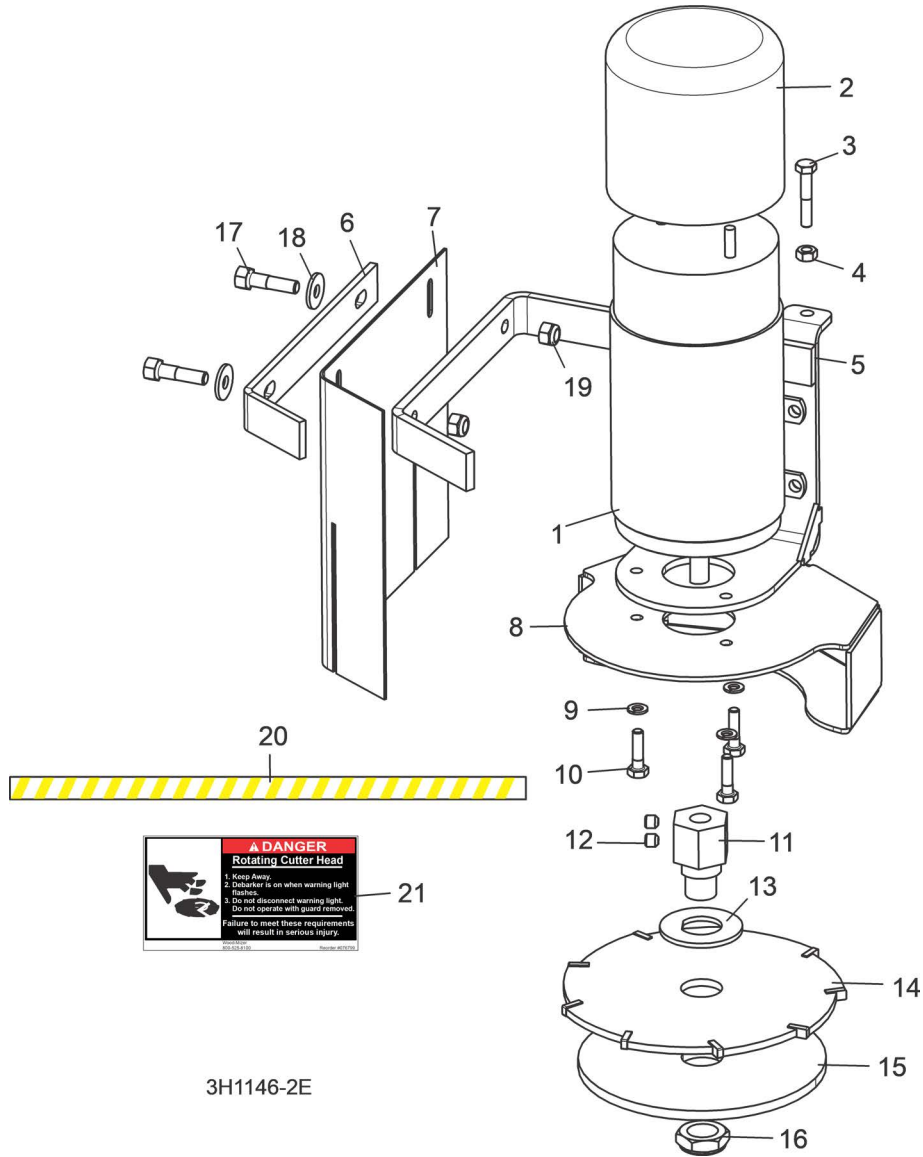


REF	PART #	DESCRIPTION	COMMENTS	QTY.
1	062890	PLATE, LT35 DEBARKER MOUNT	062890 and 065769 replace 076025 debarker mount plate to improve debarker installation (Rev. A.01).	1
2	023720	CAP, RUBBER, 2.5 ID X 3		1
3	079214	MOTOR, CURRENT APPLICATIONS 1/30HP 12VDC GEAR	Replaced P09698-1 1/30 HP 62RPM 12VDC 53:1 Gear Motor with P12756 End Housing, P12569 Gear Kit, P12800 Brush Kit and 009695 Shaft Kit (Rev. A.08).	1
4	F05005-54	SCREW, 1/4-20 X 3 1/2" HEX HEAD CAP GRADE 5		1
5	F05011-14	WASHER, 1/4" SPLIT LOCK		1
6	F05011-11	WASHER, 1/4"SAE FLAT		4
7	076161	GUARD WELDMENT, LT35 DEBARKER		1
8	F81037-7	NUT, M20 X 1.5 ZINC PLATED THIN		2
9	076051	KEY, 6 X 6 X 25MM		1
10	076052	PULLEY, 7" X 20MM ID		1

REF	PART #	DESCRIPTION	COMMENTS	QTY.
11	016181	SHEAVE, GEARMOTOR PINNED		1
12	F05012-34	PIN, 1/8" X 1" ROLL		1
13	076047	WELDMENT, LT35 DEBARKER PIVOT ARM		1
14	F05010-21	NUT, 1/4-20 SWAGED		1
15	076034	SPACER, LT35 DEBARKER		1
16	023637	TENSIONER WELDMENT, GEARMOTOR		1
17	P04031	BELT, 4L280		1
18	F05010-69	NUT, 1/4-20 NYLON LOCK		1
19	076139	BUSHING, DEBARKER SPRING RETAINING		1
20	F05006-95	BOLT, 5/16-18 X 3/4" FHS ZINC		1
21	076039	WASHER, LT35 TORSION SPRING		1
22	098605	SPRING, DEBARKER TENSION		1
23	087353	BEARING, SKF 6205 2RS ROLLER		4
24	076037	SHIM, 1" ID 1-1/4" OD		1
25	076048	WELDMENT, DEBARKER SWING ARM		1
26	F05005-101	BOLT, 1/4-20 X 1" HEX HEAD GRADE 5		1
27	046412	PIN, 3/8 X 1 3/8" RND WIRE LOCK		1
28	033475	GROMMET, 5/8 ID 3/16" GW RUBBER		1
29	F05008-50	BOLT, 1/2-13 X 1" HEX HEAD		3
30	F05011-9	WASHER, 1/2" SPLIT LOCK		3
31	F05011-2	WASHER, 1/2" SAE FLAT		6
32	F05011-3	WASHER, 3/8" FLAT SAE		9
33	F05011-4	WASHER, 3/8" SPLIT LOCK		5
34	F05007-148	BOLT, 3/8-16 X 5/8" HEX HEAD GRADE 5		1
35	F05004-123	BOLT, 3/8-16 X 3 1/2" HEX HEAD GRADE 5		2
36	F05010-10	NUT, 3/8-16 HEX NYLON LOCK		2
37	F05007-87	BOLT, 3/8-16 X 1" HEX HEAD GRADE 5		4
38	065769 ¹	PLATE, DEBARKER MOUNT SPACER		1
39	074557	GROMMET, HEYCO 13/16"		1
40	073555	LAMP ASSEMBLY, 180 DEGREE AMBER STROBE		1
41	F05004-13	BOLT, 4-40X3/4 SL		2
42	076799	DECAL, DEBARKER LIGHT WARNING		2
43	F05011-20	WASHER, #10 SPLIT LOCK		4
44	F05004-152	SCREW, 10-32X5/8 HH MACHINE		4
	076009	ARM ASSEMBLY, LT35 DEBARKER		1
45	110702	Weldment, LT35/LX150 Debarker		1
46	110703	Plate, LT35 Debarker Stop		1
47	F05005-191	Screw, 1/4-20x5/8 FHS		2
48	065717	Bumper, 1x3/4 Hard Silicone Rubber		2
49	F05011-14	Washer, 1/4 Split Lock		2
50	F05010-63	Nut, 1/4-20 Free Zinc		2

6.3 Blade Motor Assembly

Rev. A.07+



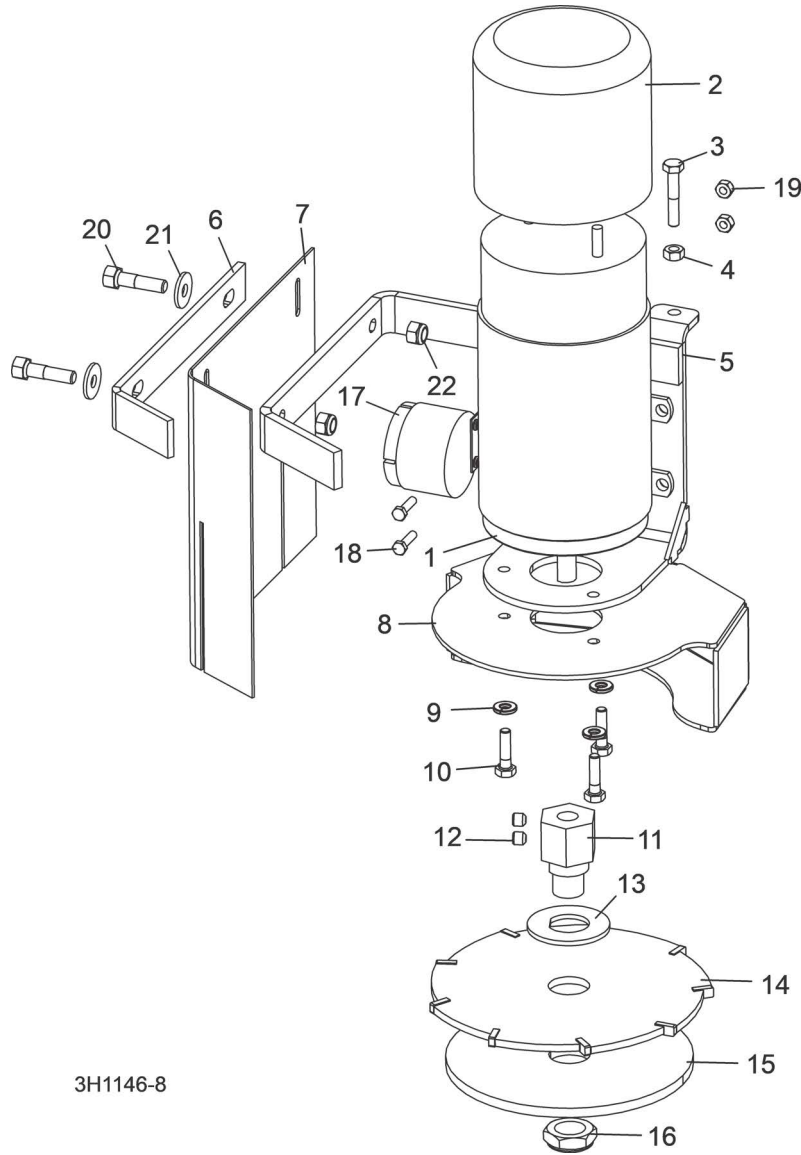
REF	PART #	DESCRIPTION	COMMENTS	QTY.
	076053	HEAD ASSEMBLY, DEBARKER CUTTING		1
1	053683	Motor, 3/4 HP 12VDC Electric Std Mill		1
	061794	Brush Kit, 1/2HP 12V DC		1
2	065732	Boot, LT35 Debarker Motor Rubber		1
3	F05005-31	Bolt, 1/4-20 x 1 1/2" Hex Head Full Thread Cap		2
4	F05010-63	Nut, 1/4-20 Free		2
5	076055	Weldment, Debarker Cutter Head		1
6	076194	Retainer, LT35 Debarker Flex		1
7	076192	Guard, Debarker Flex		1
8	076147	Weldment, Debarker Blade Guide		1
9	F05011-14	Washer, 1/4" Split Lock		3
10	F05005-101	Bolt, 1/4-20 x 1" Hex Head Grade 5		3
11	071000	Bushing, Debarker Blade Holder		1

6 Replacement Parts
Blade Motor Assembly

REF	PART #	DESCRIPTION	COMMENTS	QTY.
12	F05006-6	Screw, 5/16-18 x 5/16" SH Cup Point Set		2
13	071001	Washer, LT35 Debarker Blade		1
14	021236	Blade, 7" Dia. Debarker		1
	065852	Blade, 7" Dia. Debarker w/1/2" Inserts (Optional -- Purchased Separately)		1
15	076195	Guard, LT35 Debarker Depth		1
16	F05010-122	Nut, 3/4-10 Half Nylon Lock		1
17	F05009-62	Bolt, 5/16-18 x 1 1/4" Hex Head		2
18	F05011-16	Washer, 5/16" Standard Flat		2
19	F05010-6	Nut, 5/16-18 Swaged Hex		2
20	015849	Decal, LT15 Blade Guide Bar		1
21	076799	Decal, Debarker Light Warning		1

6.4 Blade Motor Assembly

Rev. A.04 - A.06



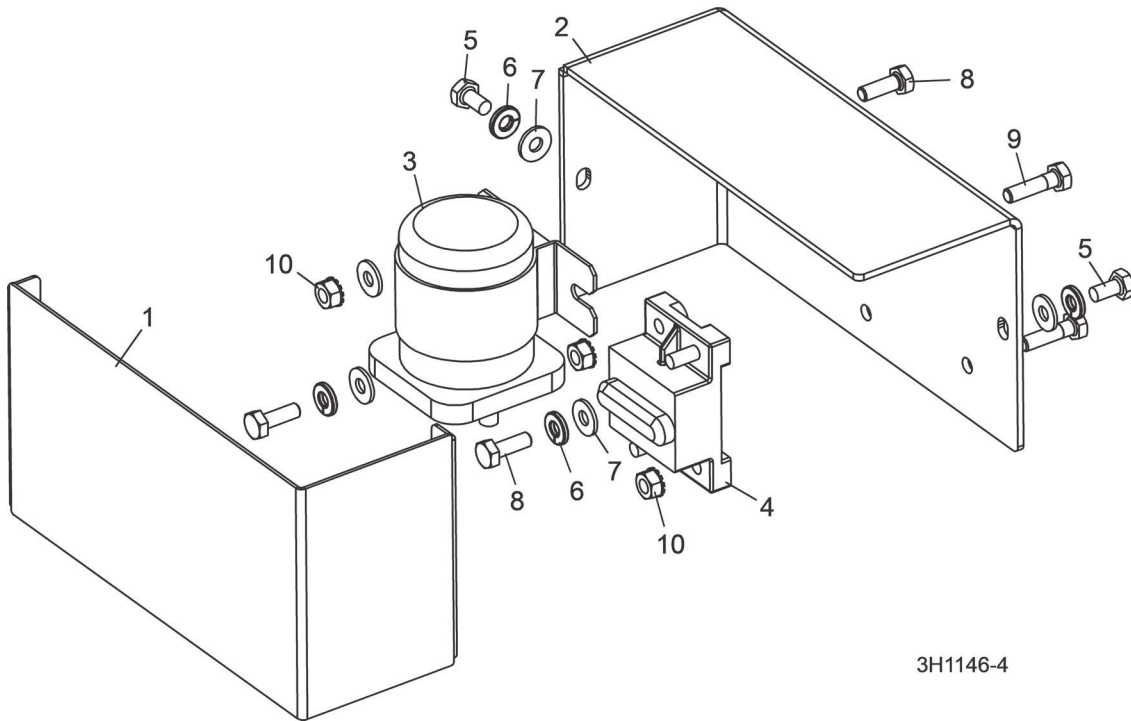
3H1146-8

REF	PART #	DESCRIPTION	COMMENTS	QTY.
	076053	HEAD ASSEMBLY, DEBARKER CUTTING		1
1	053683	Motor, 3/4 HP 12VDC Electric Std Mill		1
	061794	Brush Kit, 1/2HP 12V DC		1
2	065732	Boot, LT35 Debarker Motor Rubber		1
3	F05005-31	Bolt, 1/4-20 x 1 1/2" Hex Head Full Thread Cap		2
4	F05010-63	Nut, 1/4-20 Free		2
5	076055	Weldment, Debarker Cutter Head		1
6	076194	Retainer, LT35 Debarker Flex		1
7	076192	Guard, Debarker Flex		1
8	076147	Weldment, Debarker Blade Guide		1
9	F05011-14	Washer, 1/4" Split Lock		3
10	F05005-101	Bolt, 1/4-20 x 1" Hex Head Grade 5		3

6 Replacement Parts
Blade Motor Assembly

REF	PART #	DESCRIPTION	COMMENTS	QTY.
11	071000	Bushing, Debarker Blade Holder		1
12	F05006-6	Screw, 5/16-18 x 5/16" SH Cup Point Set		2
13	071001	Washer, LT35 Debarker Blade		2
14	021236	Blade, 7" Dia. Debarker		1
	065852	Blade, 7" Dia. Debarker w/1/2" Inserts (Optional -- Purchased Separately)		1
15	076195	Guard, LT35 Debarker Depth		1
16	F05010-122	Nut, 3/4-10 Half Nylon Lock		1
17	021137	Horn, 12V DC		1
18	F05004-167	Bolt, 10-24x3/4 Unslotted HH		2
19	F05010-160	Nut, 10-24 Hex Nylock		2
20	F05009-62	Bolt, 5/16-18 x 1 1/4" Hex Head		2
21	F05011-16	Washer, 5/16" Standard Flat		2
22	F05010-6	Nut, 5/16-18 Swaged Hex		2

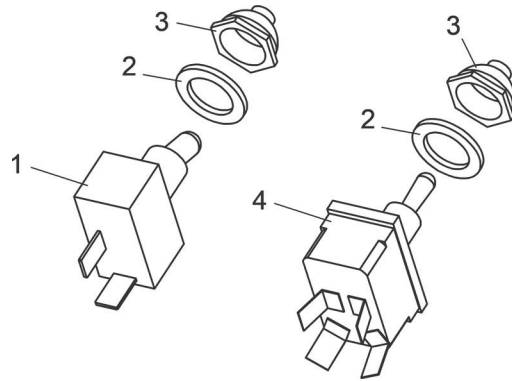
6.5 Debarker Solenoid Assembly



3H1146-4

REF	PART #	DESCRIPTION	COMMENTS	QTY.
	065749	SOLENOID/BREAKER ASSEMBLY, DEBARKER		1
1	065759	Cover Weldment, Debarker Solenoid/Breaker		1
2	065757	Plate, Debarker Solenoid/Breaker Mount		1
	016371	Solenoid Kit, 200A 12V SPST Cont. Duty		1
3	015470	Solenoid, 200A 12V SPST Cont. Duty		1
	015426	Diode Assembly, Solenoid Coil Chassis GND		1
	016370-927	Instruction Sheet, Solenoid Replacement		1
4	053440	Breaker, 60A Hi-Amp Panel Mount		1
5	F05005-15	Bolt, 1/4-20 x 1/2" Hex Head		2
6	F05011-14	Washer, 1/4" Split Lock		4
7	F05011-11	Washer, 1/4" SAE Flat		5
8	F05005-1	Bolt, 1/4-20 x 3/4" Full Thread Hex Head		3
9	F05005-38	Screw, 1/4-20 x 1" Hex Head Cap		2
10	F05010-9	Nut, 1/4-20 Keps		3

6.6 Debarker Control Assembly



3H1147B

REF	PART #	DESCRIPTION	COMMENTS	QTY.
	073518	CONTROL KIT, LT35 DEBARKER (BOXED) (2014)		1
	073524	CONTROL KIT, LT35 DEBARKER (2014)		1
1	P03027	Switch, SPST Toggle Quick Connect		1
2	P05251-1	Washer, 1/2" x 3/4" x 1/16" Nylon		2
3	P02575	Boot, Toggle Switch		2
4	024200	Switch, DPDT Toggle 21A Rev Mom Spade		1
	069640	Wire Pack, LT35 Debarker Option		1
	F05089-8	Tie Wrap, 3/16" x 10" UV Black		2