

Wood-Mizer[®] Sawmill

Safety, Setup, Operation & Maintenance Manual

LT15
LT15W

rev. E6.06 - E8.13
rev. A1.00 - A1.14



Safety is our #1 concern! Read and understand all safety information and instructions before operating, setting up or maintaining this machine.

April 2010

Form #1641

California

Proposition 65 Warning



WARNING: Breathing gas/diesel engine exhaust exposes you to chemicals known to the State of California to cause cancer and birth defects or other reproductive harm.

Always start and operate the engine in a well-ventilated area.
If in an enclosed area, vent the exhaust to the outside.
Do not modify or tamper with the exhaust system.
Do not idle the engine except as necessary.

For more information go to www.P65warnings.ca.gov.



WARNING: Drilling, sawing, sanding or machining wood products can expose you to wood dust, a substance known to the State of California to cause cancer. Avoid inhaling wood dust or use a dust mask or other safeguards for personal protection.

For more information go to www.P65Warnings.ca.gov/wood.

©2019

Printed in the United States of America, all rights reserved. No part of this manual may be reproduced in any form by any photographic, electronic, mechanical or other means or used in any information storage and retrieval system without written permission from

Wood-Mizer
8180 West 10th Street
Indianapolis, Indiana 46214

Table of Contents

Section-Page

SECTION 1	INTRODUCTION	1-1
1.1	About This Manual.....	1-1
1.2	Getting Service.....	1-2
	<i>General Contact Information.....</i>	<i>1-2</i>
	<i>Wood-Mizer Locations.....</i>	<i>1-4</i>
1.3	Specifications.....	1-5
	<i>LT15 Dimensions (Top View).....</i>	<i>1-5</i>
	<i>LT15Wide Dimensions (Top View).....</i>	<i>1-7</i>
1.4	Customer and Sawmill Identification.....	1-9
1.5	Warranty.....	1-9
SECTION 2	SAFETY	2-1
2.1	Safety Symbols.....	2-1
2.2	Safety Instructions.....	2-1
2.3	Proper Procedure for Conducting Electrical Safety Checks And Maintenance.....	2-7
SECTION 3	SAWMILL ASSEMBLY	3-1
3.1	Leg Assembly.....	3-1
3.2	Bed Section Assembly.....	3-3
3.3	Clamp Assembly.....	3-4
3.4	Frame Leg Adjustment.....	3-5
3.5	Saw Carriage Assembly.....	3-6
3.6	Feed Rope Assembly.....	3-9
3.7	Battery Assembly.....	3-12
3.8	Sawdust Deflector and Push Handle Assembly.....	3-13
3.9	Fuel Tank Installation.....	3-14
SECTION 4	SAWMILL SETUP	4-1
4.1	Sawmill Setup.....	4-1
4.2	Carriage Side Adjustment.....	4-2
4.3	Carriage Locking Pins.....	4-3
4.4	Replacing The Blade.....	4-4
4.5	Tensioning The Blade.....	4-5
4.6	Tracking The Blade.....	4-6
4.7	Starting The Engine.....	4-9
SECTION 5	SAWMILL OPERATION	5-1
5.1	Loading, Turning And Clamping Logs.....	5-1
5.2	Up/Down Operation.....	5-4
5.3	Blade Guide Arm Operation.....	5-5
5.4	Feed Operation.....	5-7
5.5	Clutch Operation.....	5-8
5.6	Cutting The Log.....	5-9

Table of Contents

Section-Page

5.7	Edging.....	5-10
5.8	Blade Height Scale	5-10
5.9	Water Lube Operation	5-12
5.10	Loading & Transporting the Sawmill.....	5-14
SECTION 6 MAINTENANCE		6-1
6.1	Wear Life.....	6-1
6.2	Blade Guides	6-1
6.3	Sawdust Removal	6-1
6.4	Carriage Track, Wiper & Scrapers	6-2
6.5	Vertical Mast Rails	6-3
6.6	Miscellaneous	6-4
6.7	Blade Wheel Belts	6-4
6.8	Drive Belt Adjustment.....	6-4
6.9	Up/Down System.....	6-6
6.10	Charging The Battery	6-10
6.11	Maintenance chart	6-13
6.11	MAINTENANCE LOG	6-13
SECTION 7 TROUBLESHOOTING GUIDE		7-1
7.1	Sawing Problems	7-1
SECTION 8 SAWMILL ALIGNMENT		8-1
8.1	Routine Alignment Procedure	8-1
	<i>Blade Installation.....</i>	<i>8-1</i>
	<i>Saw Head Tilt.....</i>	<i>8-1</i>
	<i>Blade Guide Arm Alignment.....</i>	<i>8-2</i>
	<i>Blade Guide Vertical Tilt Alignment.....</i>	<i>8-4</i>
	<i>Blade Guide Horizontal Tilt Adjustment.....</i>	<i>8-5</i>
	<i>Blade Guide Flange Spacing</i>	<i>8-7</i>
	<i>Side Support Alignment.....</i>	<i>8-7</i>
	<i>Blade Height Scale Adjustment.....</i>	<i>8-8</i>
8.2	Complete Alignment Procedure	8-9
	<i>Frame Setup</i>	<i>8-9</i>
	<i>Blade Installation.....</i>	<i>8-9</i>
	<i>Saw Head Tilt.....</i>	<i>8-10</i>
	<i>Blade Wheel Alignment.....</i>	<i>8-11</i>
	<i>Blade Guide Installation.....</i>	<i>8-15</i>
	<i>Blade Guide Arm Alignment</i>	<i>8-16</i>
	<i>Blade Guide Deflection.....</i>	<i>8-17</i>
	<i>Blade Guide Vertical Tilt Alignment.....</i>	<i>8-18</i>
	<i>Blade Guide Horizontal Tilt Adjustment.....</i>	<i>8-20</i>
	<i>Blade Guide Flange Spacing</i>	<i>8-21</i>
	<i>Side Support Alignment.....</i>	<i>8-22</i>
	<i>Blade Height Scale Adjustment.....</i>	<i>8-23</i>

INDEX

1

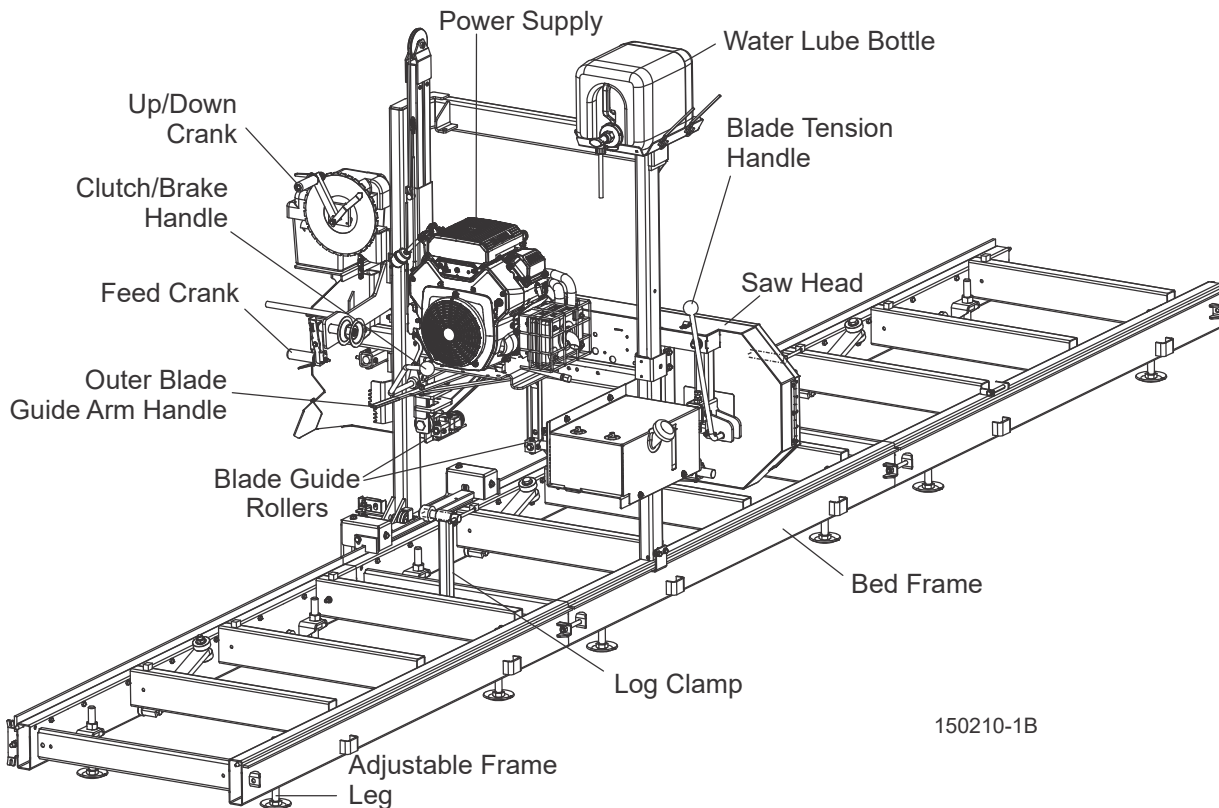
SECTION 1 INTRODUCTION

1.1 About This Manual

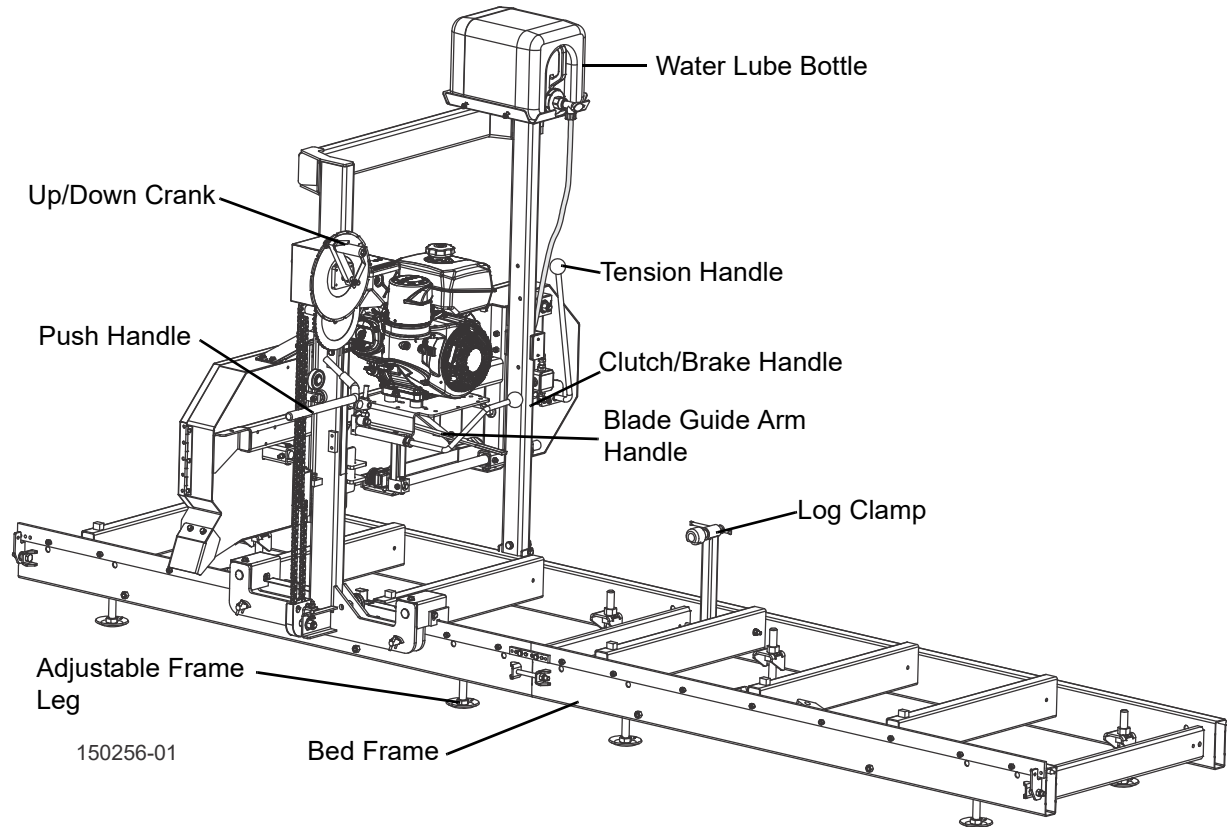
This manual is to replace or to be used with all previous information received on the Wood-Mizer®* sawmill. All future mailings will be an addition to or a revision of individual sections of this manual as we obtain new information.

The information and instructions given in this manual do not amend or extend the limited warranties for the equipment given at the time of purchase.

1. For general information regarding Wood-Mizer and our “Forest to Final Form” products, please refer to the All Products Catalog in your support package.



*Wood-Mizer® is a registered trademark of Wood-Mizer Products, Inc.



1.2 Getting Service

Wood-Mizer is committed to providing you with the latest technology, best quality and strongest customer service available on the market today. We continually evaluate our customers' needs to ensure we're meeting current wood-processing demands. Your comments and suggestions are welcome.

General Contact Information

Toll free phone numbers are listed below for the *continental* U.S. and Canada. See the next page for contact information for more Wood-Mizer locations.

	United States	Canada
Sales	1-800-553-0182	1-877-866-0667
Service	1-800-525-8100	1-877-866-0667
Website	www.woodmizer.com	www.woodmizer.ca

E-mail woodmizer@woodmizer.com oninfo@woodmizer.com

Office Hours: All times are Eastern Standard Time.

Monday - Friday	Saturday (Indianapolis Office Only)	Sunday
8 a.m. to 5 p.m.	8 a.m. to 12 p.m.	Closed

Please have your vehicle identification number and your customer number ready when you call.

Wood-Mizer will accept these methods of payment:

- Visa, Mastercard, or Discover
- COD
- Prepayment
- Net 15 (with approved credit)

Be aware that shipping and handling charges may apply. Handling charges are based on size and quantity of order. In most cases, items will ship on the day they are ordered. Second Day and Next Day shipping are available at additional cost.

If your sawmill was purchased outside the United States or Canada, contact the distributor for service.

Wood-Mizer Locations**USA World Headquarters*****Serving North & South America, Oceania, East Asia***

Wood-Mizer LLC
8180 West 10th Street
Indianapolis, IN 46214

Phone: 317.271.1542 or 800.553.0182
Customer Service: 800.525.8100
Fax: 317.273.1011
Email: infocenter@woodmizer.com

Canadian Headquarters***Serving Canada***

Wood-Mizer Canada
396 County Road 36, Unit B
Lindsay, ON K9V 4R3

Phone: 705.878.5255 or 877.357.3373
Fax: 705.878.5355
Email: ContactCanada@woodmizer.com

Brazil Headquarters***Serving Brazil***

Wood-Mizer do Brasil
Rua Dom Pedro 1, No: 205 Bairro: Sao Jose
Ivoti/RS CEP:93.900-000

Tel: +55 51 9894-6461/ +55 21 8030-3338/ +55 51
3563-4784
Email: info@woodmizer.com.br

Europe Headquarters***Serving Europe, Africa, West Asia***

Wood-Mizer Industries Sp z o.o.
Nagorna 114
62-600 Kolo, Poland

Phone: +48.63.26.26.000
Fax: +48.63.27.22.327

Branches & Authorized Sales Centers

For a complete list of dealers, visit www.woodmizer.com

1.3 Specifications

Model: **LT15 Rev. E6.09+**

Dimensions:		Metric
Length:	20'-4"	6.19m
Width:	6'-3"	1.89m
Height (Ground To Mast):	5'-4"	1.98m
Height (Max Head Position):	8'-6"	2.59m
Bed Height (Ground To Bed):	11"	0.27m
Height (Ground To Mast - LT15GO Only):	7'-1/2"	2.14m
Height (Max Head Position - LT15GO Only):	9'-9 1/2"	2.98m
Bed Height (Ground To Bed - LT15GO Only):	27"	0.68m
Blade Length:	158	4.01m

Weights:		G18
Basic Unit(with heaviest power option):		1459 lbs 661kg

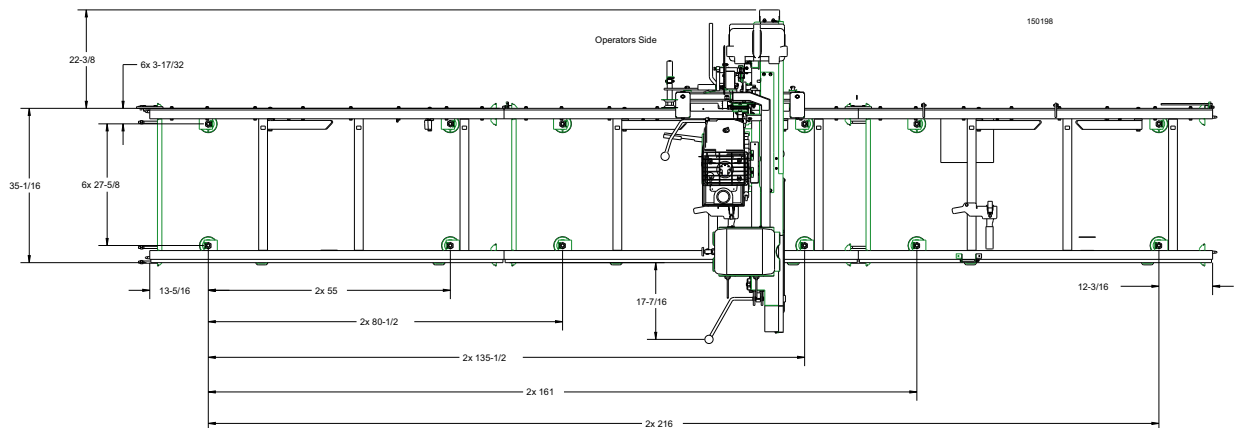
Cutting Capacity:		
Length:	17'-8"	5.38m
Diameter:	28"	0.71m
Maximum Log Weight:	4000 lbs.	1814kg
Max Clamp Width (from stop block):	23"	0.58m
Max Throat Width (guide to guide):	26"	0.66m
Max Cant Width (outer guide to stop block):	23"	0.58m
Min. Cut Height:	1"	25.4mm
Max. Cut Height:	27"	0.68m
Maximum Throat Depth:	10 1/2"	0.26m

Power Unit:	G18	G25	D10	D17	E10
Manufacturer:	Kohler	Kohler	Yanmar	Kohler	Lincoln
Fuel:	gas	gas	Diesel	Diesel	Electric
Horsepower Rating*:	19	23.5	9.1	15.4	10
Weight (lbs)*:	90	94		145.4	
Cooling System*:	air	air	air	water	air
Noise Level (dba)*:	95-101.3(@3000 rpm)	96-103(@3000 rpm)	97 (Noise Output @ Continuous Rating, Mean of Four Directions at 1 Meter)	78 (At 7m in an open field at 3600rpm*)	
Fuel Consumption(gallon/hour)*:	1.2-1.6	1.5-2	.6(@Full load)	.54 (Full Load, @1800 rpm) .43 (75% Load, @1800 rpm) .32 (50% Load, @1800 rpm) .19 (25% Load, @1800 rpm) 1.10 (Full Load, @3600 rpm) .87 (75% Load, @3600 rpm) .66 (50% Load, @3600 rpm) .39 (25% Load, @3600 rpm)	
Engine Oil & Type*:		API SJ 10W30	API CD or Higher 15W40	API SJ/CF 5W40	
Engine Oil Capacity w/Filter*:		1.6-1.7 L/1.7-1.9 qts	1.6 L/1.7 qts	2.5 L/2.64 qts	
Coolant Type*:		N/A	N/A	AGIP Antifreeze Spezial	
Coolant Capacity*:		N/A	N/A	Contact Kohler For Proper Amount	

Rates:	
Hourly Production (Average range w/experienced operators/average size logs):	320 bd ft/hr

*Manufacturer's Specification

LT15 Dimensions (Top View)

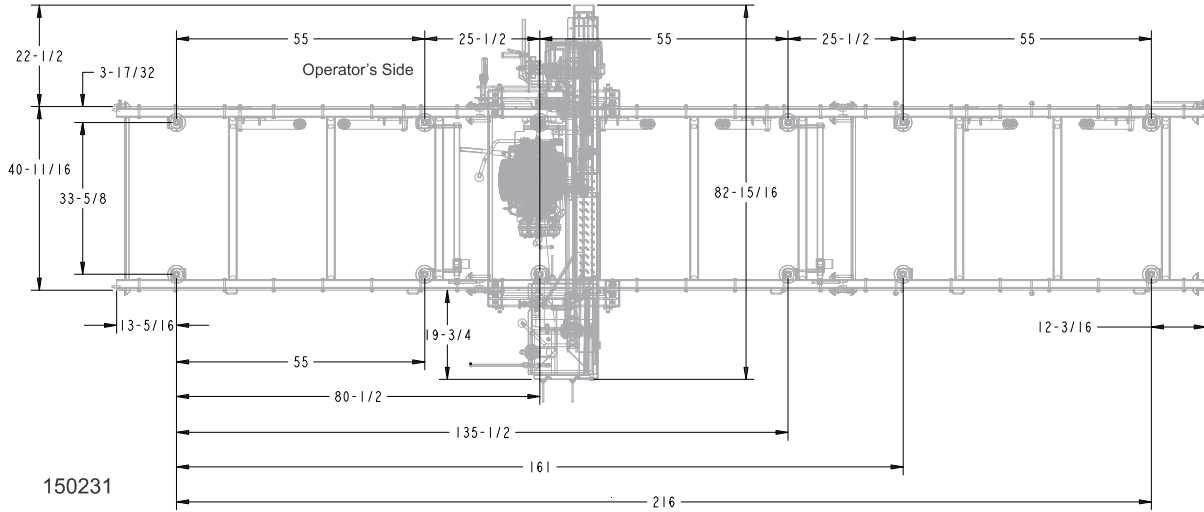


Model: LT15W Rev. A1.00+

Dimensions:		Metric		
	Length: 20'-4"		6.19m	
	Width: 6'-11"		2.0m	
	Height (Ground To Mast): 6'-6 3/8"		1.98m	
	Height (Max Head Position): 10'		3.0m	
	Bed Height (Ground To Bed): 11"		0.27m	
	Blade Length: 176"		4.47m	
Weights:		G25		
	Basic Unit(with heaviest power option): 1783 lbs		809kg	
Cutting Capacity:				
	Length: 17'-8"		5.38m	
	Diameter: 36"		0.91m	
	Maximum Log Weight: 4200 lbs		1905kg	
	Max Clamp Width (from stop block): 29"		0.73m	
	Max Throat Width (guide to guide): 36"		0.91m	
	Max Cant Width (outer guide to stop block): 29"		0.73m	
	Min. Cut Height: 1"		25.4mm	
	Max. Cut Height: 35 1/2"		0.9m	
	Maximum Throat Depth: 10 1/2"		0.26m	
Power Unit:		D17	G25	E10
	Manufacturer: Kohler		Kohler	Lincoln
	Fuel: Diesel		gas	Electric
	Horsepower Rating*: 15.4		23.5	10
	Weight (lbs)*: 145.4		94	
	Cooling System*: water		air	air
	Noise Level (dba)*: 78 (At 7m in an open field at 3600rpm*)		96-103(@3000 rpm)	
		.54 (Full Load, @1800 rpm)		
		.43 (75% Load, @1800 rpm)		
		.32 (50% Load, @1800 rpm)		
	Fuel Consumption (gallon/hour)*: <u>.19 (25% Load, @1800 rpm)</u>		1.5-2	
		1.10 (Full Load, @3600 rpm)		
		.87 (75% Load, @3600 rpm)		
		.66 (50% Load, @3600 rpm)		
		.39 (25% Load, @3600 rpm)		
	Engine Oil & Type*:			
	Engine Oil Capacity w/Filter*:			
	Temperature Range & Oil Grades*:			
	Coolant Capacity*:			
Rates:				
	Hourly Production (Average range w/experienced 375 bd ft/hr operators/average size logs):			

*Manufacturer's Specification

LT15Wide Dimensions (Top View)



Model: LT15 Rev. E1.00-E6.08

Dimensions:
 Length: 13'-6 1/2" (20'-4" for mills w/3 bed sections)
 Width: 6'-3"
 Height (Ground To Mast): 5'-5"
 Height (Max Head Position): 6'-3"
 Bed Height (Ground To Bed): 10"
 Blade Length: 158"

Weights (Actual/Estimated):	G13	G15	G25	E10	D10	D17	D19
Basic Unit (Wet):	935 lbs	944 lbs	976 lbs		957 lbs	970 lbs	
With Trailer (requires 3rd bed section):	1518 lbs	1527 lbs	1559 lbs		1540 lbs	1553 lbs	

Trailer:
 Axle Capacity: 1540 lbs
 Tire Capacity: 1045 lbs
 Tire Size: 5.3 x 12
 Weight: 408 lbs

Log Capacity:
 Length: 11'-0"
 Diameter: 28"
 Max Clamp Width (from stop block): 24"
 Max Throat Width (guide to guide): 26"
 Max Cant Width (outer guide to stop block): 23"

Engine:	G13	G15	G25	E10	D10	D17	D19
Manufacturer:	Kohler	Kohler	Kohler	Lincoln	Yanmar	Kohler	Deutz
Fuel:	Gas	Gas	Gas	Electric	Diesel	Diesel	Diesel
Horsepower Rating:	13	15	25	10	10	16.8	19
Weight:	110	119	151		132	145	
Idle Speed:	1800 RPM	1800 RPM	1800 RPM	3495 RPM	1000 RPM		1500 RPM
High Throttle Speed (No Load):	3750 RPM	3750 RPM	3600 RPM	3495 RPM	3600 RPM		3600 RPM
Noise Level - @ operator position:	98 dBA	96 dBA	102 dBA				
Noise Level - 20 feet away:	77 dBA	86 dBA	94 dBA				
Blade Speed (No Load):	4940 sfpm	4940 sfpm					
Fuel Consumption (per hour):	0.4 gal.	0.5 gal.	0.9 gal.		0.2 gal.		
Cooling System:	Air	Air	Air	Air	Air	Water	Air
Drive Shaft O.D.:	1"	1"	1 1/8"	1 3/8"	1"	1 9/16"	1 1/8"
Drive Pulley O.D.:	5"	5"	5.6"	4.25"	5.6"	5.6"	5.6"
Drive Belt:	BX87	BX87	2/3VFL900	BX85	BX87	2/3VFL900	2/3VFL900
Blade Braking:	5 Seconds	5 Seconds	5 Seconds	5 Seconds	5 Seconds	5 Seconds	5 Seconds
Oil Capacity w/Filter:	2 qts.	2 qts.	2.1 qts.	N/A		1.7 qts.	
Battery:	N/A	12V 524/26A	12V 524/26A	N/A	12V 524/26A	12V 524/26A	12V 524/26A

Rates:
 Hourly Production (Average range w/experienced operators/average size logs): up to 125 bdf.
 Optional Power Feed Rate: 95 fpm (forward & reverse)

Options:
 Single/Lap Siding Option: 143 lbs
 6"-8" Bed Section: 175 lbs
 Pro Pack: 75 lbs
 Power Feed Option:
 Load Assist Kit Option:

Battery Specifications							
Group No.	Type No.	Performance Level		Approximate Weight	Maximum Overall Dimensions		
		Cranking Performance	Reserve Capacity	Wet	Length	Width	Height
26	524/26A	515CC	80	31.0 lb. (14.06 kg)	8.5 in. (216 mm)	6.75 in. (171 mm)	8.0 in. (203 mm)

Model: LT15S Rev. A1.00+**Dimensions:**

	Metric
Length: 161"	4.09m
Width: 6'-3"	1.89m
Height (Ground To Mast): 5'-4"	1.98m
Height (Max Head Position): 6'-6"	2.0m
Bed Height (Ground To Bed): 11"	0.27m
Blade Length: 158"	4.01m

Weights:**G14**

Basic Unit(with heaviest power option): 915 lbs

Cutting Capacity:

Length:	
Diameter: 28"	0.71m
Maximum Log Weight: 4000 lbs.	1814kg
Max Clamp Width (from stop block): 23"	0.58m
Max Throat Width (guide to guide): 26"	0.66m
Max Cant Width (outer guide to stop block): 23"	0.58m
Min. Cut Height: 1"	25.4mm
Max. Cut Height: 27"	0.68m
Maximum Throat Depth: 10 1/2"	0.26m

Power Unit:**G14**

Manufacturer: Kohler
 Fuel: gas
 Horsepower Rating*: 14
 Weight (lbs)*: 90
 Cooling System*: air
 Fuel Capacity*: 7L/7.4qts
 Engine Oil & Type*: API SJ 10W30
 Engine Oil Capacity w/Filter*: 1.32L/1.4qts
 Coolant Type*: N/A
 Coolant Capacity*: N/A

Rates:

Hourly Production (Average range w/experienced 320 bd ft/hr operators/average size logs):

*Manufacturer's Specification

1.4 Customer and Sawmill Identification

Each Wood-Mizer LT15 sawmill is identified with a model number, revision, and serial number (see the figure below).

MFG BY/FABRIQUÉ PAR: WOOD-MIZER PRODUCTS, INC. 8180 W. 10th St. Indianapolis, 46214-2400 U.S.A. 317/271-1542 Or 800/553-0182	
Model No.:	LT15 G13
Serial No.:	09970001
Rev.:	A1.00
Sawmill U.S. Patent Nos. 3,935,780 and 4,559,858; Brevet au Canada 1986 No. 1,211,684 Brevete 1986; Dry Kiln U.S. Patent Nos. 4,620,373 et 4,490,926. Other patents pending.	

The model number includes the base model and the engine/motor configuration. The serial number contains the month and year of manufacture and a sequence number. The revision number helps identify the exact design of the equipment. See the figure for a description of the model, serial, and revision numbers.

	LT15 Basic Sawmill I.D.	G13 Engine/Motor Configuration
Serial Number	0997 Month/Year of Manufacture	0001 Manufacture Sequence
Revision Number	A1. Major Revision Code	00 Minor Revision Code

MODEL, SERIAL, AND REVISION NUMBER DESCRIPTION.

1.5 Warranty

Wood-Mizer® LLC
 Limited Product Warranty

Wood-Mizer®

Wood-Mizer LLC (“Warrantor”), an Indiana corporation with its principal place of business at 8180 West Tenth Street, Indianapolis, IN 46214-2400 USA, warrants to the purchaser (“Purchaser”) that for the time periods specifically stated herein and subject to the terms, conditions and limitations stated herein, the equipment manufactured by the Warrantor will be free from defects in material and workmanship attributable to Warrantor so long as, during the warranty periods

stated herein, the equipment is installed, operated and maintained in accordance with the instructions provided by Warrantor.

PRODUCT	MODEL CLASS	LENGTH OF WARRANTY		EFFECTIVE DATE
		USA & CANADA	NON USA & CANADA	
Portable Sawmills, Resaws, Edgers	LT, LX, HR, EG	Two years	One year	Date of purchase
Portable Sawmills with Chassis	LT28, LT35, LT40, LT50, LT70, LX450	Two years, excluding the chassis, which chassis shall have a five year warranty	One year	
Industrial Sawmills, Resaws, Edgers	WM, HR, EG, TVS, SVS, FS	One year	One year	Date of purchase or date of installation / training (if applicable), whichever occurs first, not to exceed 6 months from date of purchase
TITAN Industrial	WB, TV, HR, EG, EA, MR	One year	One year	
Material Handling	TWC, IC, TD, LD, GC, CR, CB, CC	One year	One year	
Blade Maintenance Equipment	BMS, BMT, BMST	One year	One year	
Options and Accessories	Various	One year ¹	One year ¹	Date of purchase
Moulders, Kilns	MP, SD, KD	One year	One year	
Pallet Dismantler	PD	One year	One year	
Log Splitter	FS	One year	One year	
Replacement Parts	Various	90 days	90 days	

¹ Warranty on Options will match the warranty on the primary equipment when purchased on same invoice.

EXCLUSIONS FROM 90 DAY, LIMITED ONE YEAR AND TWO YEAR WARRANTY

Warrantor shall have **no** responsibility under this warranty for any wear components, including, but not limited to: belts, blade guides, blades, electric motor brushes, drum switches, filters, fuses, hoses, bearings (excluding cylindrical drive bearings), bushings, cable carriers, and spark plugs. All wear components are furnished “**as is**”, without any warranty from Warrantor. This limited warranty does not cover any defects caused by misuse, negligence, alterations, damage due to overload, abnormal conditions, excessive operation, accident, or lack of performance of normal maintenance services.

Several components which are used in the manufacture of the equipment but not manufactured by Warrantor, such as cant hooks, power plants, laser sights, batteries, tires, and trailer axles have warranties provided by the original equipment manufacturer (written copies available upon request). Warrantor does not separately warrant such items. Components or equipment manufactured by third parties are not covered by this warranty. Warrantor, however, will provide reasonable assistance to the Purchaser to make claims against any warranties applicable to such component parts as provided by such original equipment manufacturers. Components or equipment manufactured by third parties are not covered by this Warranty.

FIVE YEAR LIMITED CHASSIS WARRANTY

The limited five year chassis warranty, described above, DOES NOT extend to (a) any damage stemming from accident, improper towing, overload, abuse, misuse, abnormal conditions, negligence, excessive operation, or lack of maintenance, (b) rust caused by exposure to corrosive atmospheric conditions, or (c) the sawmill head, carriage, axle, brakes, or any hydraulic or electrical components attached to the chassis.

WARRANTOR'S OBLIGATIONS AS TO DEFECTS

In the event that the equipment fails to perform due to defective materials or workmanship attributable to Warrantor under normal use and service within the established warranty period, Purchaser's sole and exclusive remedy and Warrantor's sole liability shall be to replace or repair, in Warrantor's sole and subjective discretion, any defective part at Warrantor's principal place of business without cost to the Purchaser if such defect exists. The determination of whether a product is defective shall be made by Warrantor in Warrantor's sole and subjective discretion. The Purchaser must notify Warrantor prior to shipping any defective part. Warrantor, at its sole discretion, may cover expenses incurred in shipping the defective part to Warrantor for evaluation; provided, however, that Warrantor will not be responsible for labor, travel time, mileage, removal, installation, and/or incidental or consequential damages. However, any part in excess of 140 pounds must be returned by the Purchaser to the Warrantor's nearest authorized facility at the Purchaser's expense, if return is requested by Warrantor. Warrantor shall have a reasonable time within which to repair or replace the defective part. If Warrantor determines that the product is not defective under the terms of this warranty in Warrantor's sole and subjective discretion, then Purchaser shall be responsible for any expenses incurred by Warrantor in returning the equipment to the Purchaser.

LIMITATIONS AND DISCLAIMERS OF OTHER WARRANTIES

EXCEPT FOR THE EXPRESS WARRANTY PROVISIONS STATED ABOVE, WARRANTOR DISCLAIMS ALL WARRANTIES, EXPRESS AND/OR IMPLIED, INCLUDING AND WITHOUT LIMITATION, THE IMPLIED WARRANTIES OF MERCHANTABILITY, AND FITNESS FOR A PARTICULAR PURPOSE, NONINFRINGEMENT AND TITLE. No representation or other affirmation of fact by representatives of Warrantor, whether verbal or in writing, including photographs, brochures, samples, models, or other sales aids, shall constitute a warranty, or any other basis, for any legal action against Warrantor. There are no other representations, promises, agreements, covenants, warranties, guarantees, stipulations or conditions, expressed or implied, by Warrantor, except as expressly set forth herein. THE PURCHASER AND ANY INTENDED USER OR BENEFICIARY OF THIS EQUIPMENT, SHALL NOT BE ENTITLED TO RECOVER ANY INDIRECT, SPECIAL, PUNITIVE, EXEMPLARY, CONSEQUENTIAL, SPECIAL, OR INCIDENTAL DAMAGES OR LOSSES, INCLUDING BUT NOT LIMITED TO, DAMAGES OF LOST PRODUCTION, LOST REVENUE, LOST PRODUCT, LOST PROFITS, LOST BUSINESS, LOSS OF USE, LOSS OF GOODWILL, OR BUSINESS INTERRUPTION, FROM WARRANTOR FOR ANY REASON WHATSOEVER INCLUDING, WITHOUT LIMITATION, WARRANTY OR DEFECT IN THE PRODUCT REGARDLESS OF THE SOLE, JOINT, AND/OR CONCURRENT NEGLIGENCE, BREACH OF CONTRACT, BREACH OF WARRANTY, STRICT LIABILITY IN TORT OR STATUTORY CLAIMS, OR OTHER LEGAL FAULT, OR RESPONSIBILITY OF EITHER WARRANTOR OR PURCHASER OR ITS EMPLOYEES OR AGENTS. Warrantor does not warrant that its equipment meets or complies with the requirements of any particular safety code or governmental requirements.

Defective items, replaced under the terms of this warranty, become the property of Warrantor.

DESIGN CHANGES

Warrantor reserves the right to change the design of its products from time to time without notice and without obligation to make corresponding changes in or to its products previously manufactured.

RIGHTS OF PURCHASERS

The validity and effect of this limited warranty, as well as its interpretation, operation and effect, shall be determined exclusively by the principles of law and equity of the State of Indiana, USA. This limited warranty gives Purchaser specific legal rights. Purchaser may also have other rights, which may vary from state to state. Some states may not allow limitations as to the duration of implied warranties or to the exclusion or limitation of incidental or consequential damages, therefore some of the limitations and exclusions detailed set forth above may not apply. In the event that any one or more of the provisions of this warranty shall be or become invalid, illegal or unenforceable in any respect, the validity, legality and enforceability of the remaining provisions of this warranty shall not be affected thereby.

INTERPRETATIONS

This Warranty constitutes the entire warranty agreement between Warrantor and Purchaser and supersedes any prior understandings or agreements pertaining to the same subject matter. This warranty cannot be amended, except in writing, which refers to this warranty that is signed by both Warrantor and Purchaser.

© 2018 Wood-Mizer LLC – 8180 West 10th Street, Indianapolis, IN 46214

SECTION 2 SAFETY

2.1 Safety Symbols

The following symbols and signal words call your attention to instructions concerning your personal safety. Be sure to observe and follow these instructions.



DANGER! indicates an imminently hazardous situation which, if not avoided, will result in death or serious injury.



WARNING! suggests a potentially hazardous situation which, if not avoided, could result in death or serious injury.



CAUTION! refers to potentially hazardous situations which, if not avoided, may result in minor or moderate injury or damage to equipment.



IMPORTANT! indicates vital information.

NOTE: gives helpful information.

2.2 Safety Instructions



WARNING! Clean sawdust from all guards, vents, control boxes, or any area where sawdust may gather **after every shift**. Failure to do so may result in fire, causing death or serious injury.



OWNER'S RESPONSIBILITY



IMPORTANT! The procedures listed in this manual may not include all ANSI, OSHA, or locally required safety procedures. It is the owner/operator's responsibility and not Wood-Mizer Products to ensure all operators are properly trained and informed of all safety protocols. Owner/Operators are responsible for following all safety procedures when operating and performing maintenance to the Sawmill.

NOTE: ONLY safety instructions regarding personal injury are listed in this section. Caution statements regarding only equipment damage appear where applicable throughout the manual.

OBSERVE SAFETY INSTRUCTIONS



IMPORTANT! Read the entire Operator's Manual before operating the sawmill. Take notice of all safety warnings throughout this manual and those posted on the machine. Keep this manual with this machine at all times, regardless of ownership.

Also read any additional manufacturer's manuals and observe any applicable safety instructions including dangers, warnings, and cautions.

Only persons who have read and understood the entire operator's manual should operate the sawmill. The sawmill is not intended for use by or around children.



IMPORTANT! It is always the owner's responsibility to comply with all applicable federal, state and local laws, rules and regulations regarding the ownership, operation and/or towing of your Wood-Mizer sawmill. All Wood-Mizer mill owners are encouraged to become thoroughly familiar with these applicable laws and comply with them fully while using the mill.



WEAR SAFETY CLOTHING



WARNING! Secure all loose clothing and jewelry before operating the sawmill. Failure to follow this may result in serious injury or death.



WARNING! Always wear gloves and eye protection when handling bandsaw blades. Changing blades is safest when done by one person! Keep all other persons away from area when coiling, carrying or changing a blade. Failure to follow this may result in serious injury.



WARNING! Always wear eye, ear, and foot protection when operating or servicing the sawmill.



WARNING! Some woods require respiration protection when operating the sawmill. It is the sawyer's responsibility to know which woods require respiration protection.



KEEP SAWMILL AND AREA AROUND SAWMILL CLEAN



DANGER! Maintain a clean and clear path for all necessary movement around the mill and lumber stacking areas. Failure to follow this will result in serious injury.

HANDLE FUEL/LUBRICANTS SAFELY



DANGER! Due to the flammable nature of fuel and oil, never smoke, weld, grind or allow sparks near your engine or storage tanks, especially during times of fueling.



DANGER! Never allow fuel to spill on a hot engine during fueling operations or otherwise. The hot temperature of your engine could induce a fire or explosion.



WARNING! Store gasoline away from sawdust and other flammable materials. Failure to follow this may result in serious injury.



WARNING! Use ONLY water and Wood-Mizer Lube Additive with the water lube accessory. Never use flammable fuels or liquids such as diesel fuel. If these types of liquids are necessary to clean the blade, remove it and clean with a rag. Failure to follow this can damage the equipment and may result in serious injury or death.



DISPOSE OF SAWING BY-PRODUCTS PROPERLY



IMPORTANT! Always properly dispose of all sawing by-products, including sawdust and other debris, coolant, oil, fuel, oil filters and fuel filters.

USE CAUTION WHEN WORKING WITH BATTERIES (GAS & DIESEL SAWMILLS ONLY)



DANGER! Batteries expel explosive gases; keep sparks, flames, burning cigarettes, or other ignition sources away at all times. Failure to follow this will result in serious injury or death.



WARNING! Always wear safety goggles and a face shield when working near batteries. Failure to follow this could result in serious injury or death.



WARNING! Wash hands after handling batteries to remove possible lead, acid, or other contaminants. Failure to follow this could result in serious injury or death.



WARNING! Charge the battery in a well ventilated area. Failure to follow this could result in serious injury or death.



WARNING! Do not attempt to charge a frozen battery. Failure to follow this could result in serious injury or death.



IMPORTANT! When working with batteries, use extreme care to avoid spilling or splashing electrolyte (dilute sulfuric acid) as it can destroy clothing and burn the skin.

EMERGENCY TREATMENT FOR CONTACT WITH BATTERY COMPONENTS (LEAD/SULFURIC ACID) per SDS (Safety Data Sheet):

EYE CONTACT	Sulfuric Acid and Lead: Flush eyes immediately with large amounts of water for at least 15 minutes while lifting lids. Seek immediate medical attention if eyes have been exposed directly to acid.
SKIN CONTACT	Sulfuric Acid: Flush affected area(s) with large amounts of water using deluge emergency shower, if available, shower for at least 15 minutes. Remove contaminated clothing, including shoes. If symptoms persist, seek medical attention. Wash contaminated clothing before reuse. Discard contaminated shoes. Lead: Wash immediately with soap and water.
INGESTION	Sulfuric Acid: Administer large amounts of water. Do NOT induce vomiting or aspiration into the lungs may occur and can cause permanent injury or death; consult physician.
INHALATION	Sulfuric Acid: Remove to fresh air immediately. If not breathing, give artificial respiration. If breathing is difficult, give oxygen. Consult a physician. Lead: Remove from exposure, gargle, wash nose and lips; consult physician.



CAUTION! Do not overcharge the battery. Overcharging may reduce the overall service life of the battery.



CAUTION! Be sure the battery is fully charged before transporting the sawmill. If the battery is not fully charged, excessive vibration could reduce the overall service life of the battery.

CAUTIONS FOR SAWMILL SETUP



WARNING! Do not set up the mill on ground with more than a 10 degree incline. If setup on an incline is necessary, put blocks under one side of the mill or dig out areas for the legs to keep mill level. Setting up the mill on an incline could cause it to tip over, resulting in serious personal injury.



WARNING! The sawmill weighs 1100 lbs. The center of gravity of the carriage is off-center toward the operator side. The higher the saw head from the bed frame, the more easily the mill can be tipped toward the operator side. A minimum of three people (four recommended) is required to safely load or unload the sawmill from a pickup truck.



WARNING! Keep all persons out of the area between the frame rails while loading and unloading the sawmill. Failure to follow this may result in serious injury or death.



WARNING! Because the sawmill can easily rotate and tip over when lifted, do not lift the sawmill using ropes, cables or chains, etc. Doing so may result in machine damage, serious injury or death.

CHECK SAWMILL BEFORE OPERATION



DANGER! Make sure all guards and covers are in place and secured before operating or towing the sawmill. Failure to follow this may result in serious injury.

Be sure the blade housing and pulley covers are in place and secure. Use the safety retainer pin and cable to fasten blade housing covers.



WARNING! Do not operate the sawmill without the bed end retaining brackets properly installed; the saw head may fall from the log bed. Failure to follow this may result in serious injury or death.



KEEP PERSONS AWAY



DANGER! Keep all persons out of the path of moving equipment and logs when operating sawmill or loading and turning logs. Failure to follow this will result in serious injury.



DANGER! Always be sure the blade is disengaged and all persons are out of the path of the blade before starting the engine or motor. Failure to follow this will result in serious injury.

KEEP HANDS AWAY



DANGER! Always disengage the blade and shut off the sawmill engine before changing the blade. Failure to follow this will result in serious injury.



DANGER! Engine components can become very hot during operation. Avoid contact with any part of a hot engine. The exhaust components of your engine are especially hot during and following operation. Contact with hot engine components can cause serious burns. Therefore, never touch or perform service functions on a hot engine. Allow the engine to cool sufficiently before beginning any service function.



DANGER! Always keep hands away from moving bandsaw blade. Failure to follow this will result in serious injury.



DANGER! Always be aware of and take proper protective measures against rotating shafts, pulleys, fans, etc. Always stay a safe distance from rotating members and make sure that loose clothing or long hair does not engage rotating members resulting in possible injury.



WARNING! Do not spin the blade wheels by hand. Spinning the blade wheels by hand may result in serious injury.



WARNING! Always disengage the clutch/brake mechanism whenever the sawmill is not cutting. Failure to follow this may result in serious injury.



WARNING! Do not for any reason adjust the engine drive belt with the engine running. Doing so may result in serious injury.



WARNING! Always keep clear of exiting sawdust. Keep hands, feet and any other objects away from the sawdust chute when operating sawmill. Failure to follow this may result in serious injury.

CAUTIONS FOR GAS OR DIESEL ENGINE OPERATION



DANGER! Operate your engine/machine only in well ventilated areas. The exhaust gases of your engine can cause nausea, delirium and potentially death unless adequate ventilation is present.



DANGER! Never operate an engine with a fuel or oil leak. The leaking fuel or oil could potentially come in contact with hot surfaces and ignite into flames.



WARNING! Do not operate engine without proper and operational spark arrester/muffler. Sparks emitted from the engine exhaust could ignite surrounding materials, causing serious injury or death.

KEEP SAFETY LABELS IN GOOD CONDITION



IMPORTANT! Always be sure that all safety decals are clean and readable. Replace all damaged safety decals to prevent personal injury or damage to the equipment. Contact your local distributor, or call your Customer Service Representative to order more decals.



IMPORTANT! If replacing a component which has a safety decal affixed to it, make sure the new component also has the safety decal affixed.

USE CAUTION WHEN WORKING WITH HEAVY LOGS



WARNING! Always make sure log is clamped securely before sawing. Failure to follow this may result in serious injury or death.

UP/DOWN SYSTEM SAFETY



WARNING! Always secure the saw head with a 5/16" chain with at least 1900 lbs. working load capacity before adjusting the up/down chain. The saw head may fall, causing severe injury or death.



WARNING! Release pressure from the up/down assist prior to performing any service to the assembly (Rev. E4.00+). Failure to follow this may result in the assembly flying apart, causing injury or damage to the equipment.



WARNING! The gas spring cylinders are pressurized (Rev. E4.00+). Disassembly of cylinder may result in injury or damage to the cylinder.

GENERAL TRAILER SAFETY



DANGER! Make sure your hitch has adequate safety chain hookups. Do not use eyebolts for safety chain hook-up. Safety chains should be hooked to bumper of vehicle so that each chain would pull the trailer equally in the event the hitch became disengaged. Failure to follow this may result in serious personal injury and/or severe machine damage.



DANGER! Be sure that the hitch and safety chains are secure before towing the sawmill. Failure to follow this may result in serious personal injury and/or severe machine damage.



DANGER! Make sure all light connections have been made and are working properly before towing the sawmill. Failure to follow this may result in serious personal injury and/or severe machine damage.



WARNING! The trailer option is designed for the express purpose of towing the sawmill it is supplied with. Do not make modifications or additions that affect the weight and/or stability of the towing unit. Doing so may result in property damage and/or serious injury or death.



WARNING! Always check trailer tires for proper inflation before towing sawmill. Failure to follow this may lead to tire failure resulting in property damage and/or serious injury or death.

2.3 PROPER PROCEDURE FOR CONDUCTING ELECTRICAL SAFETY CHECKS AND MAINTENANCE



DANGER! Make sure all electrical installation, service and/or maintenance work is performed by a qualified electrician and is in accordance with applicable electrical codes.



DANGER! ARC FLASH AND SHOCK HAZARD! Hazardous voltage inside the electric sawmill disconnect box, starter box, and at the motor can cause shock, burns, or death. Disconnect and lock out power supply before servicing! Keep all electrical component covers closed and securely fastened during mill operation. Wear appropriate Personal Protection Equipment.



WARNING! Consider all electrical circuits energized and dangerous.

PROPER PROCEDURE FOR CONDUCTING ELECTRICAL SAFETY CHECKS AND



WARNING! Disconnect the negative battery terminal cable before performing any service to the 12-Volt electrical system. Failure to follow this may result in injury and/or electrical system damage.



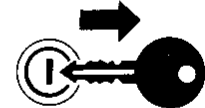
WARNING! Never assume or take the word of another person that the power is off; check it out and lock it out.



WARNING! Do not wear rings, watches, or other jewelry while working around an open electrical circuit.



WARNING! Before performing service near moving parts such as blades, pulleys, motors, belts and chains, first turn the key switch to the OFF (#0) position and remove the key. If the key is turned on and moving parts activated, serious injury may result.



WARNING! Remove the blade before performing any service to the engine or sawmill. Failure to follow this may result in serious injury.



LOCKOUT PROCEDURES MUST BE USED DURING:

- | | |
|--|---|
| Changing or adjusting blades | Electrical maintenance |
| Unjamming operations | Retrieval of tools/parts from work area |
| Cleaning | Mechanical repair |
| Activities where guards or electrical panel guard is open or removed | |

MAINTENANCE HAZARDS INCLUDE:

- Blade contact
- Pinch points
- Kickbacks
- Electrical
- Missiles (thrown blades/wood chips)

FAILURE TO LOCKOUT MAY RESULT IN:

- Cut
- Crush
- Blindness
- Puncture
- Serious injury and death
- Amputation
- Burn
- Shock
- Electrocution

TO CONTROL MAINTENANCE DANGERS:

- Lockout procedures must be followed (see ANSI Standard Z244.1-1982 and OSHA regulation 1910.147)
- Never rely on machine stop control for maintenance safety (emergency stops, on/off buttons, interlocks).

- Do not reach into moving blades or feed systems. Allow all coasting parts to come to a complete stop.
- Electrical power supply and air supply must both be locked out.
- Where established lockout procedures cannot be used (electrical troubleshooting or mechanical dynamic troubleshooting), alternative effective protective techniques shall be employed which may require special skills and planning.
- Always follow safe operations practices in the workplace.

SAWMILL LOCKOUT PROCEDURE

Lockout procedures must be followed per ANSI Standard Z244.1-1982 and OSHA regulation 1910.147. This procedure establishes the minimum requirements for lockout of energy sources that could cause injury.



IMPORTANT! The responsibility for seeing that this procedure is followed is binding upon all workers. All workers shall be instructed in the safety significance of the lockout procedure. It is your responsibility to ensure safe operation of the machine.



DANGER! Sawmill must be locked out both electrically and pneumatically (lockout air valve).

SEQUENCE OF LOCKOUT PROCEDURE:

1. Notify all persons that a lockout is required and the reason therefore.
2. If the Sawmill is operating, shut it down by the normal stopping procedure.
3. Operate the switch and valve so that the energy sources are disconnected or isolated from the Sawmill. Stored energy such as moving blades, feed system and air pressure shall be dissipated.
4. Lockout the energy isolating devices with assigned individual locks.
5. After ensuring that no persons are exposed and as a check on having disconnected the energy sources, operate the push button or other normal operating controls to make certain the Sawmill will not operate. Caution: Return operating controls to neutral position after the test.
6. The Sawmill is now locked out.

RESTORING EQUIPMENT TO SERVICE

1. When the job is complete and the Sawmill is ready for testing or normal service, check the Sawmill area to see that no one is exposed.
2. When the Sawmill is all clear, remove all locks. The energy isolating devices may be operated to restore energy to the Sawmill.

PROCEDURE INVOLVING MORE THAN ONE PERSON

In the preceding steps, if more than one individual is required to lock out the Sawmill, each shall place his own personal lock on the energy isolating devices.

RULES FOR USING LOCKOUT PROCEDURE

The Sawmill shall be locked out to protect against accidental or inadvertent operation when such operation could cause injury to personnel.



DANGER! Do not attempt to operate any switch or valve bearing a lock. Failure to follow this may result in death, serious personal injury, and/or severe machine damage.

SECTION 3 SAWMILL ASSEMBLY



IMPORTANT! LT15 shipped after 5/12 only: The sawmill is shipped properly secured to the pallet. Before starting sawmill assembly, remove the shipping brackets securing the sawmill to the pallet. Also, remove the shipping bracket and the shipping bolt securing the saw head to the mast.

See Figure 3-1.

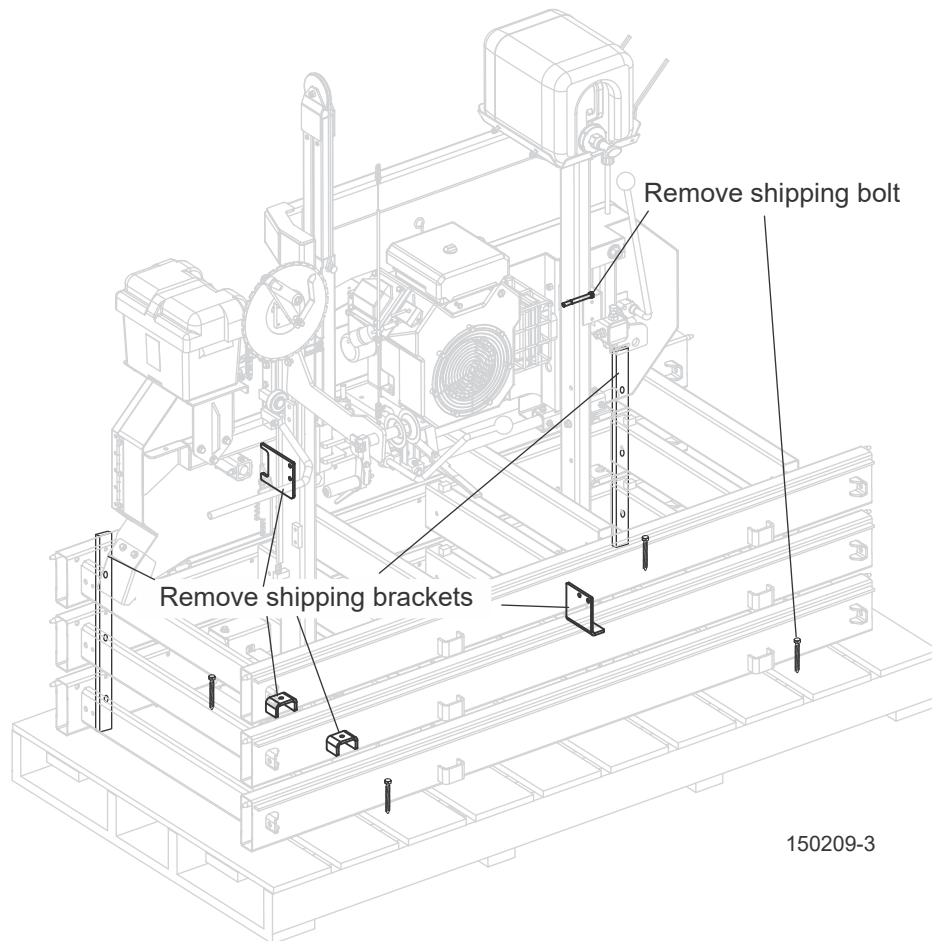


FIG. 3-1

[See SECTION 8](#) for complete alignment instructions.

3.1 Leg Assembly

NOTE: If assembling the sawmill to an LT15TRG trailer (LT15GO), skip this step. Refer to the trailer option manual for assembly instructions then return to the next section when instructed to complete sawmill assembly.

1. Place a hex nut on each leg approximately half way down the shaft.
2. Slide the outrigger (nut keeper) plate into the mounting bracket.
3. Position the square nut between the plate and the bracket.
4. Thread each leg through the bracket, the square nut, and the plate. (See FIG. 3-2.)
5. Tighten the hex nut around the leg bracket (requires 1 5/16" wrench).
6. Assemble four legs to each bed section.

See Figure 3-2.

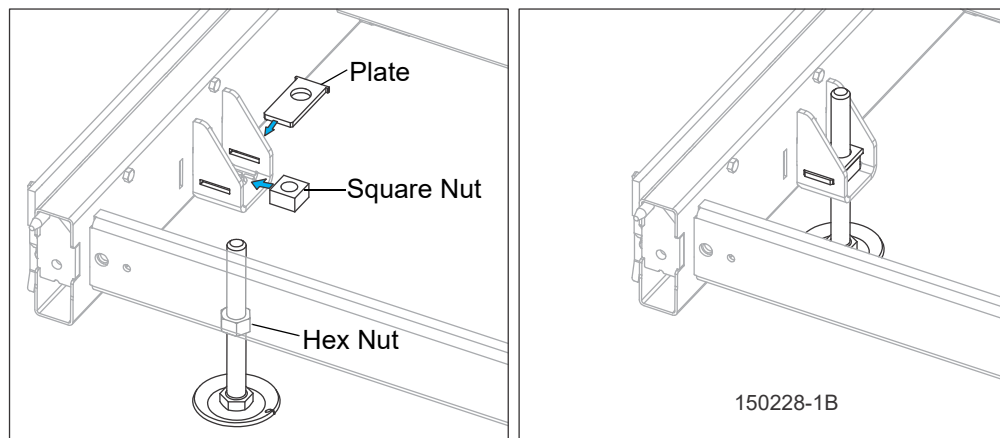


FIG. 3-2

See Figure 3-3. Assemble four legs to each bed section. Mount each leg with a square nut and hex nut around the leg bracket (requires 1 5/16" wrench).

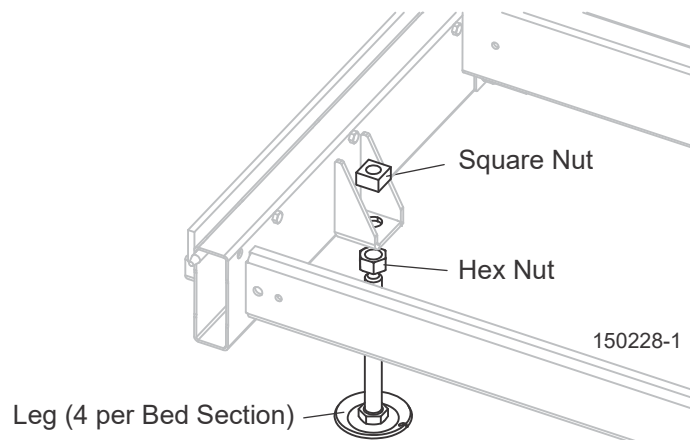


FIG. 3-3 AFTER 10/18 AND PRIOR TO 5/19

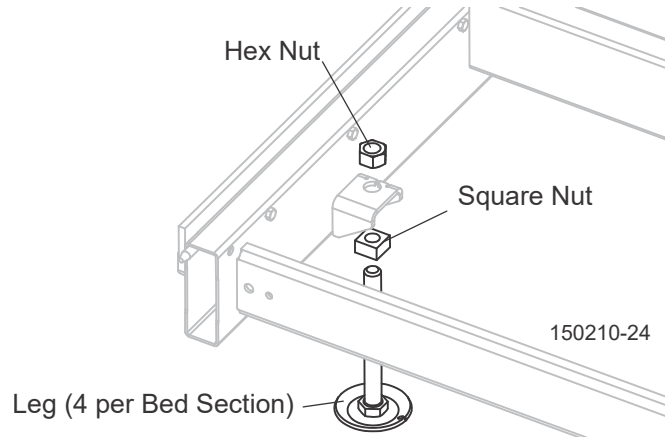


FIG. 3-3 LT15 PRIOR TO 10/18

3.2 Bed Section Assembly

NOTE: Disassemble any shipping straps from the bed sections before beginning.

1. Lay the bed sections end-to-end so the track portion of each section is on the same side.
2. Slide the sections together and secure with four 1/2-13 x 5" hex head bolts and nylon lock nuts.

See Figure 3-4.

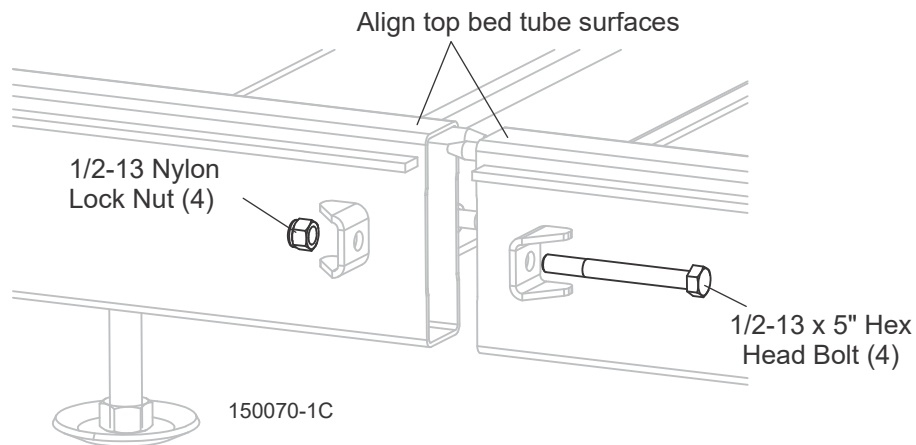


FIG. 3-4

NOTE: Make sure the top surfaces of the outer side of the bed sections are aligned. It may be necessary to pry one bed section up or down until the surfaces are aligned, then tighten the bolts.

Insert the splice pins into the holes in the track rail and secure with two 3/8-16 x 1" hex head bolts.

See Figure 3-5.

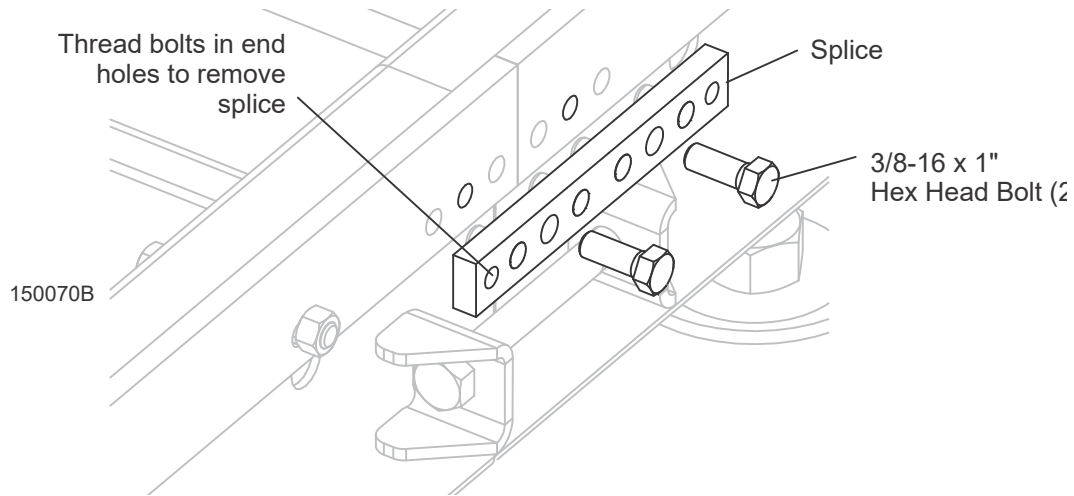


FIG. 3-5

TIP: The threaded holes at the end of the splice are provided to help remove the splice if you wish to disassemble the sawmill. Remove the two splice bolts from the middle holes and thread into the end holes. Evenly turn the bolts clockwise to push the splice pins out of the track rail holes.

3.3 Clamp Assembly

See Figure 3-6. Rev. E7.00+: Assemble a log clamp to the bed as shown below.

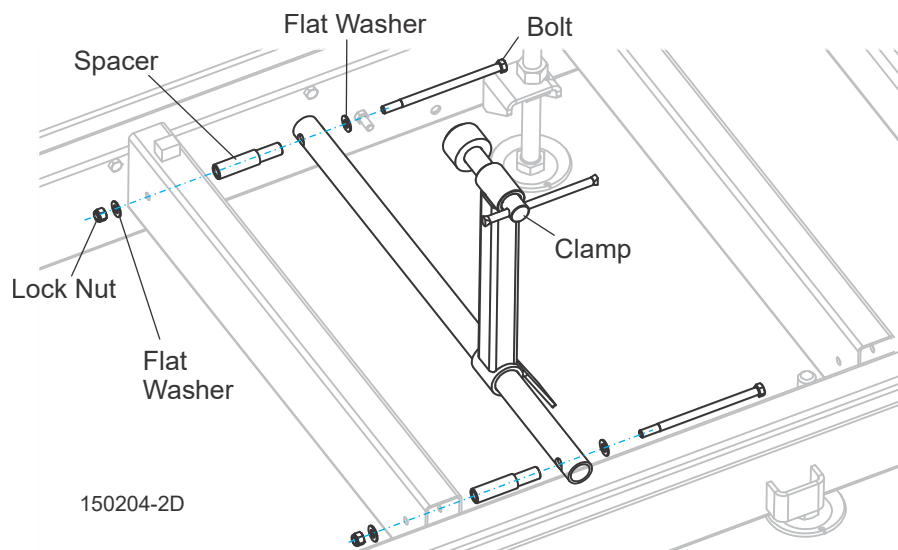


FIG. 3-6 REV. E7.00+

See **Figure 3-7. Rev. E6.06 - E6.10**: Remove the bolt from each clamp assembly. Assemble a log clamp to a bed rail on each bed section and reinstall the bolts.

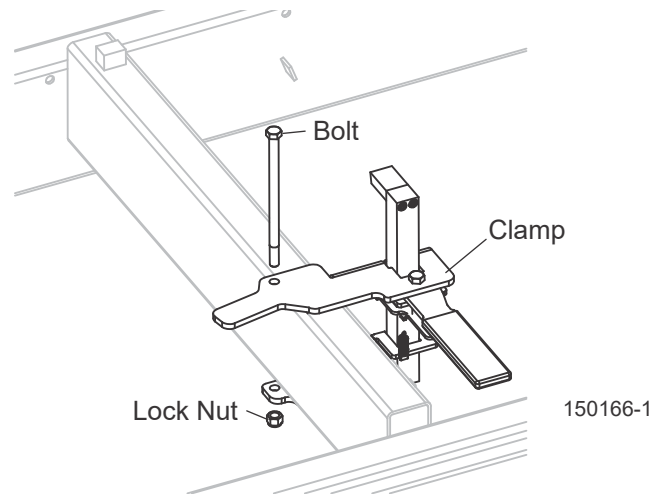


FIG. 3-7 REV. E6.06 - E6.10

3.4 Frame Leg Adjustment

Use a 1 1/4" wrench to adjust each leg until the top of the leg is approximately 1" (25mm) below the bed tube.

See **Figure 3-8**.

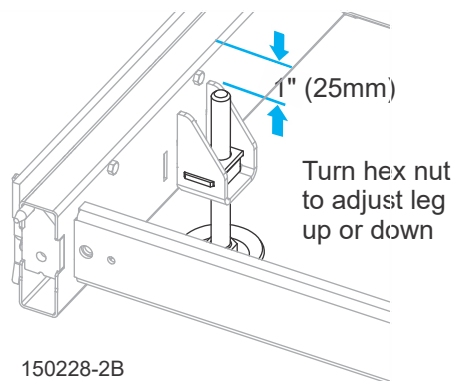


FIG. 3-8

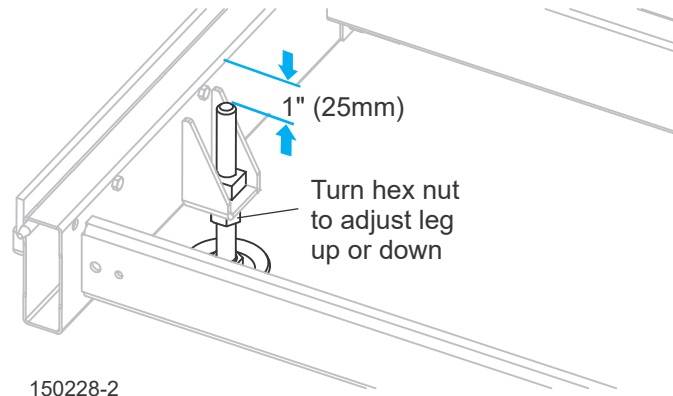


FIG. 3-8

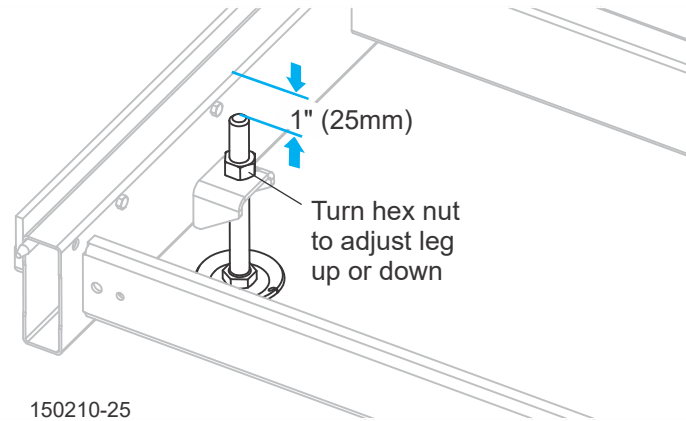


FIG. 3-8 LT15 PRIOR TO 10/18

3.5 Saw Carriage Assembly

The saw carriage is equipped with two lock pins at the bottom of the mast near the track rollers. These pins can be adjusted to three different positions:

1. **Operation position.** The pins catch the bottom of the track rail, preventing the saw head from tilting and disengaging the bed frame.

NOTE: The pins are designed so if they are inadvertently left in the assembly position, they will move to the operation position when the carriage is moved.

2. **Travel position.** Secures the saw head to the bed frame during travel. Rotate the pin at the end of the sawmill so it is clear of the pin bracket. Be sure the pin engages the hole in the bed frame tube. The other pin should remain in the operation position to prevent the saw head from tilting.

See Figure 3-9.

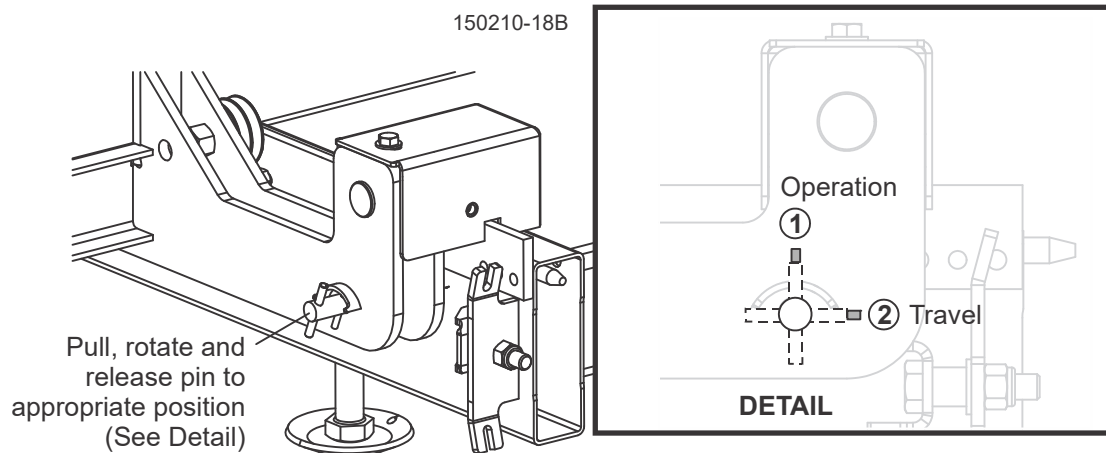


FIG. 3-9



IMPORTANT! Before beginning saw carriage assembly, make sure both lock pins are in the assembly/disassembly position (lock pins seated in upper notches of pin rest brackets).

3. To reposition pin, pull pin outward, rotate as desired, and release into proper position.
4. Position the saw head carriage at the end of the bed frame assembly.
 - 1). Carefully slide the saw head carriage rollers onto the bed frame track.
 - 2). Keep the carriage square to the bed to avoid putting the track rollers in a bind.
5. Place both carriage lock pins in the operation position to secure carriage onto bed frame assembly.
6. Locate the middle track cover and soak the felt wiper with Dexron III transmission fluid, 10W30 motor oil or 3-in-1 turbine oil.
 - 1). Remove the existing hex bolts and flat washers located on the inside of each track roller housing cover.
 - 2). Position the middle track cover between the two track roller housings so the opening in the cover is positioned over the feed rope pulleys.
 - 3). Replace the two hex head bolts and flat washers.
7. Install a slotted track scraper to each track roller housing with a 3/8" flat washer and 3/8-16 x 3/4" hex head bolt.

See Figure 3-10.

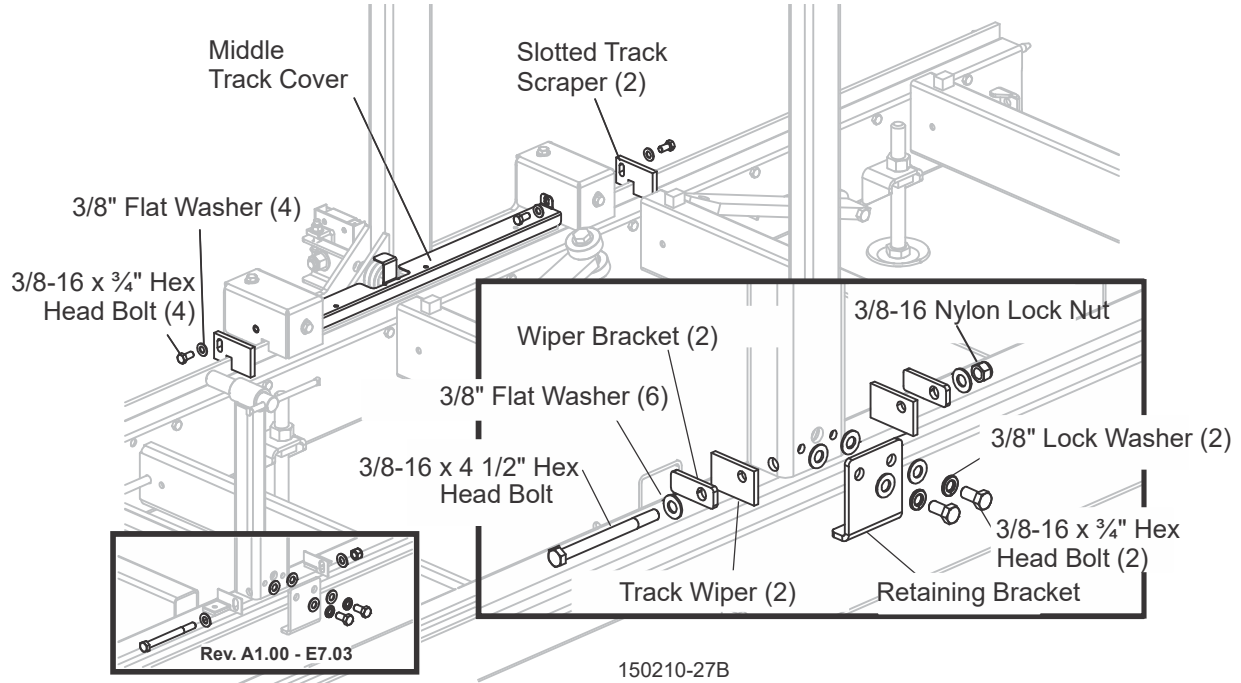


FIG. 3-10 LT15

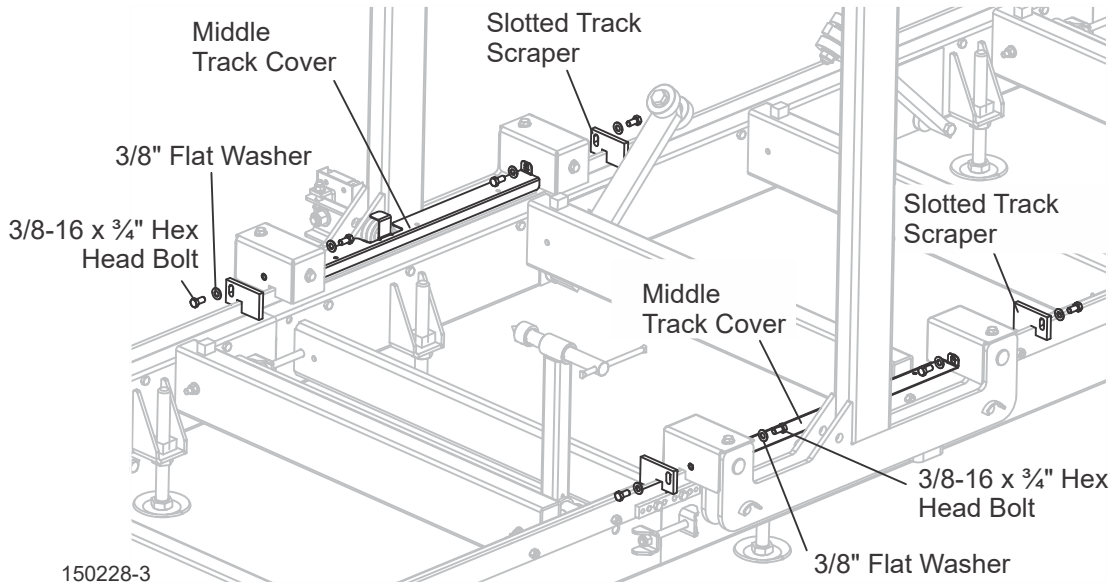


FIG. 3-10 LT15 WIDE HEAD ONLY

- Assemble the retaining bracket to the idle side upright with two 3/8-16 x 3/4" hex head bolts and lock washers.



WARNING! Do not operate the sawmill without the retaining bracket properly installed. The saw head may tip and fall from the sawmill resulting in possible injury or damage to the machine.

9. Locate the track scrapers and soak the felt wipers with Dexron III transmission fluid, 10W30 motor oil or 3-in-1 turbine oil.
10. Assemble the two track scrapers to the idle side upright with a hex head bolt, two flat washers, and a nylon lock nut.

3.6 Feed Rope Assembly

1. Install a feed rope mounting bracket at each end of the bed assembly using a 1/2-13 x 2 1/4" hex head bolt, spacer, flat washer and nylon lock nut.



IMPORTANT! Be sure to use the brackets so they are angled toward the end of the frames as shown.

See Figure 3-11.

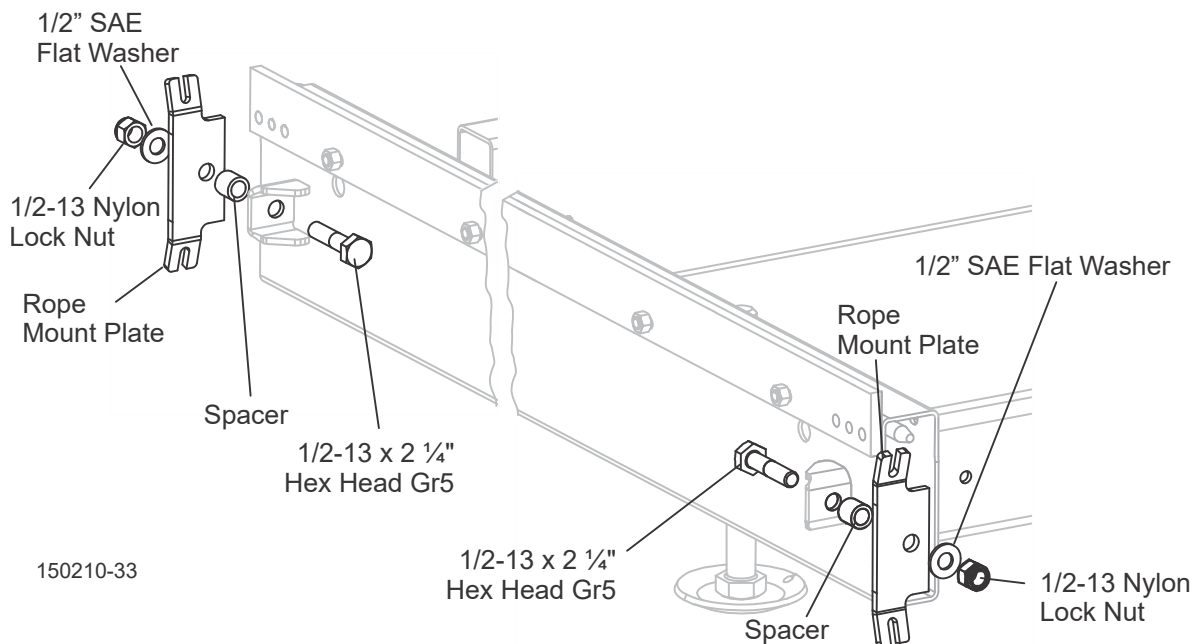


FIG. 3-11

2. Tie a knot in one end of the feed rope.
3. Slip the knotted end of the rope into the front rope mount plate.
4. Route the rope between the saw head carriage and bed frame tube.

See Figure 3-12.

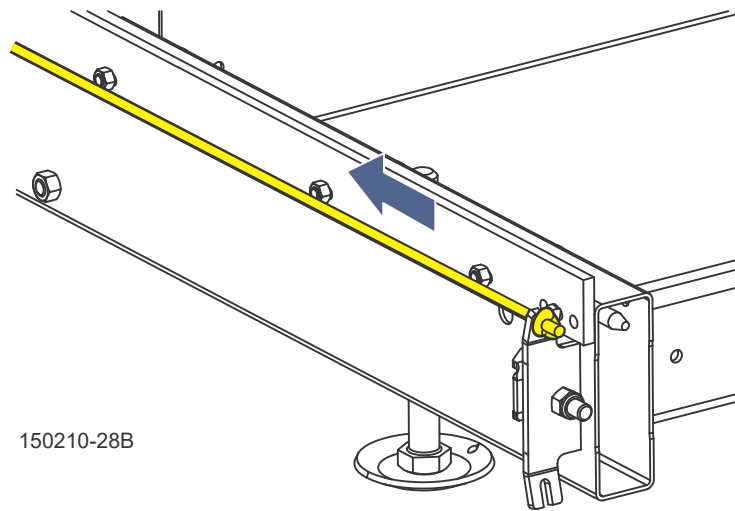


FIG. 3-12

5. Loop the rope counterclockwise around the lower feed pulley and route to the feed crank handle.
6. Loop the feed rope around the outer groove of the lower pulley.

See Figure 3-13.

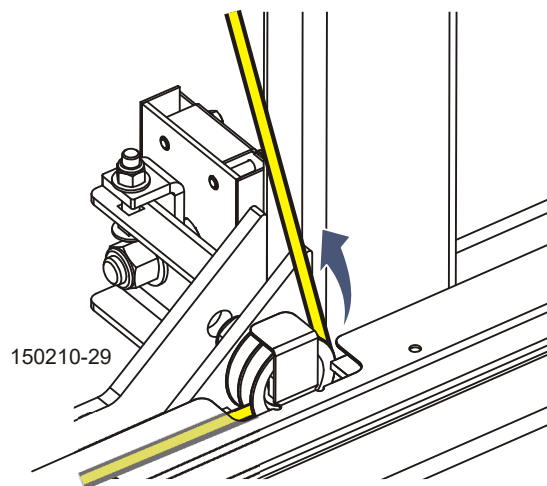


FIG. 3-13

7. Loop the rope counterclockwise around the feed crank spool and route back down to the lower feed pulley.
8. Loop the feed rope around the crank spool twice.

See Figure 3-14.

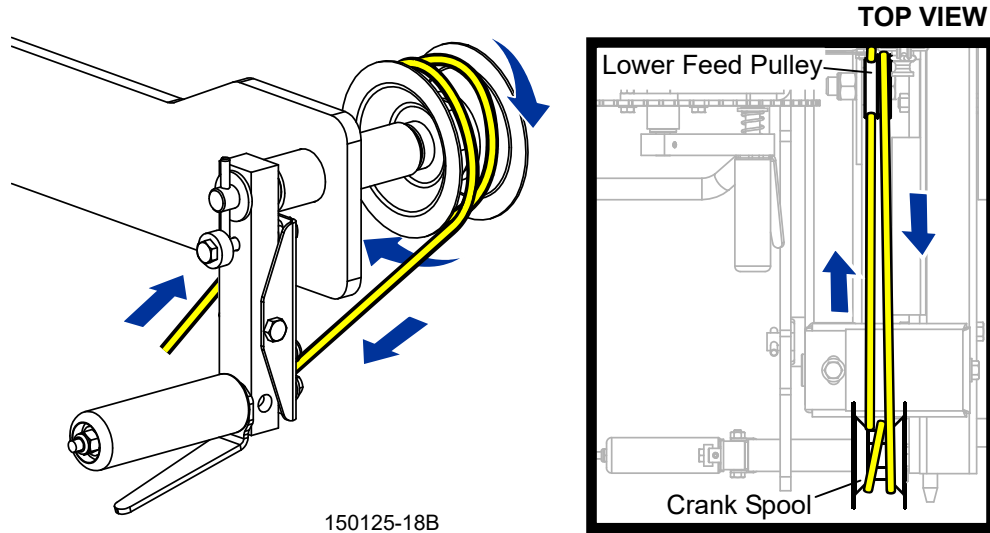


FIG. 3-14

9. Route the rope counterclockwise around the lower feed pulley.
10. Route the feed rope around the inner groove of the lower feed pulley.

See Figure 3-15.

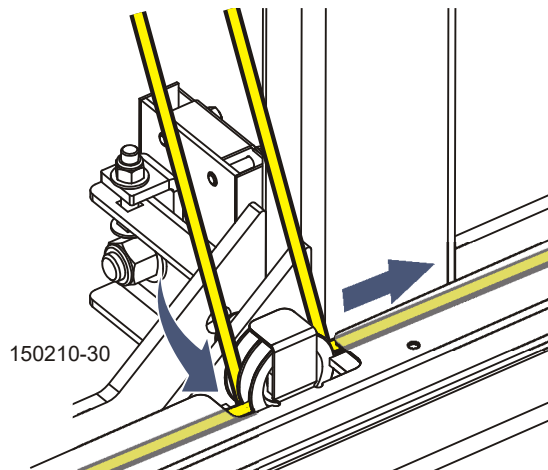


FIG. 3-15

11. Route the rope to the rear mounting bracket.
12. Tie a knot in the end of the rope and insert into the mounting bracket.
13. Position the knot in the rope so when installed to the rear bracket, the rope is tight.

See Figure 3-16.

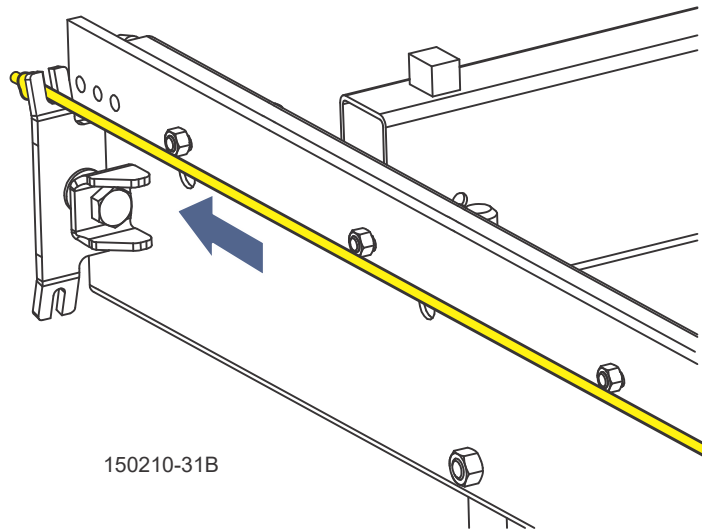


FIG. 3-16

3.7 Battery Assembly

1. Install the battery box assembly to the saw head.
2. Position the battery box bracket next to the saw head.
3. Secure the battery box assembly with three 3/8-16 x 1 hex head bolts.

See Figure 3-17.

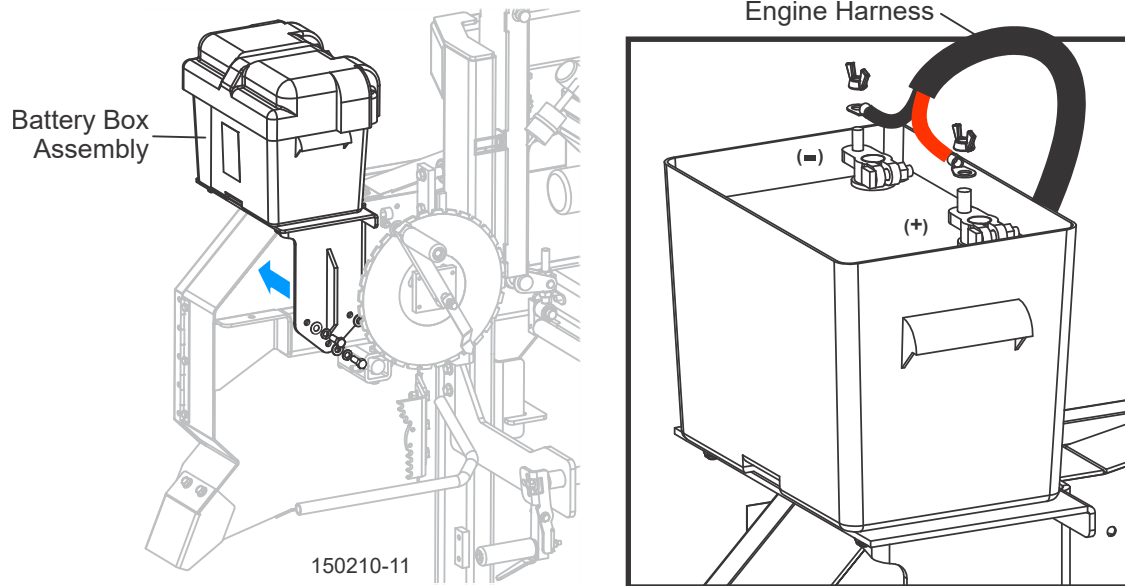


FIG. 3-17

4. Locate the wire harness connected to the engine starter. Route the harness between the engine and the saw head, toward the battery box.
5. Open the battery box lid and remove the wing nuts from the terminal clamp studs. Slide the red wire terminal onto the positive (+) terminal clamp stud. Replace the wing nut and tighten securely. Slide the black wire terminal onto the negative (-) terminal clamp stud. Replace the wing nut and tighten securely. Position the harness so it is located under the recess in the battery box lid. Replace the battery box lid.

3.8 Sawdust Deflector and Push Handle Assembly



IMPORTANT! Before operating the sawmill, be sure to disassemble the sawdust deflector and the push handle from their shipping positions and reinstall them for operation.

See Figure 3-18.

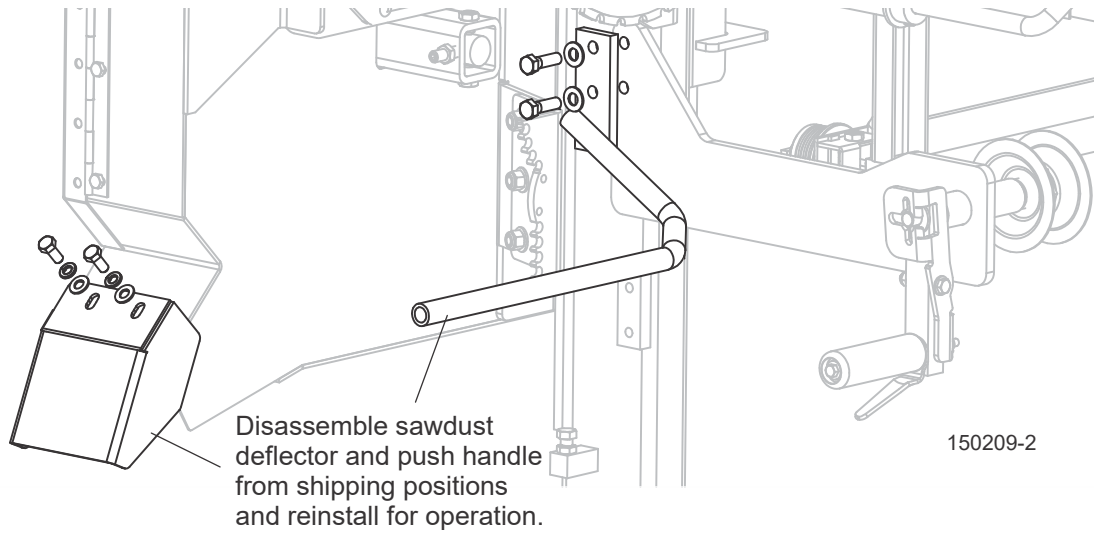


FIG. 3-18

3.9 Fuel Tank Installation

1. Install the provided fuel tank assembly to the saw head mast using the provided fasteners.

See Figure 3-19.

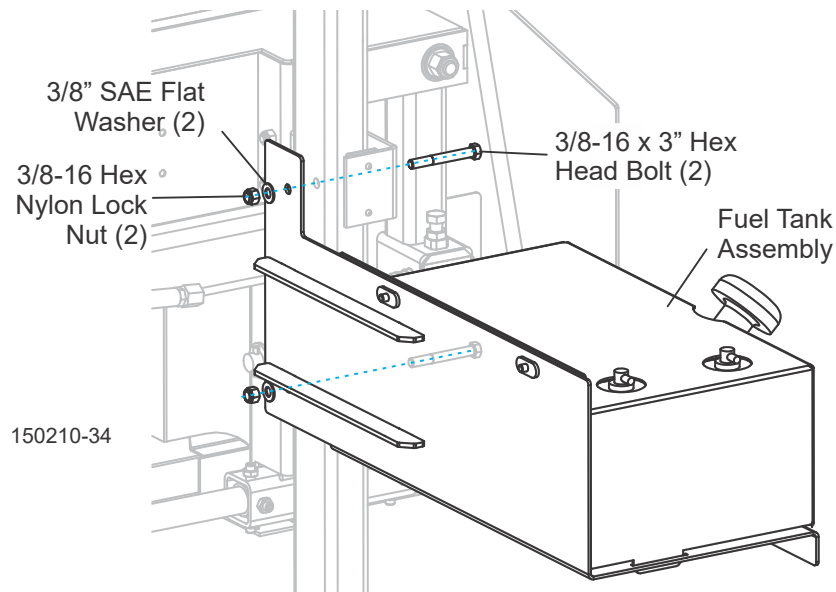


FIG. 3-19

2. Connect the existing fuel lines from the engine to the fuel tank fittings and secure properly.

See Figure 3-20.

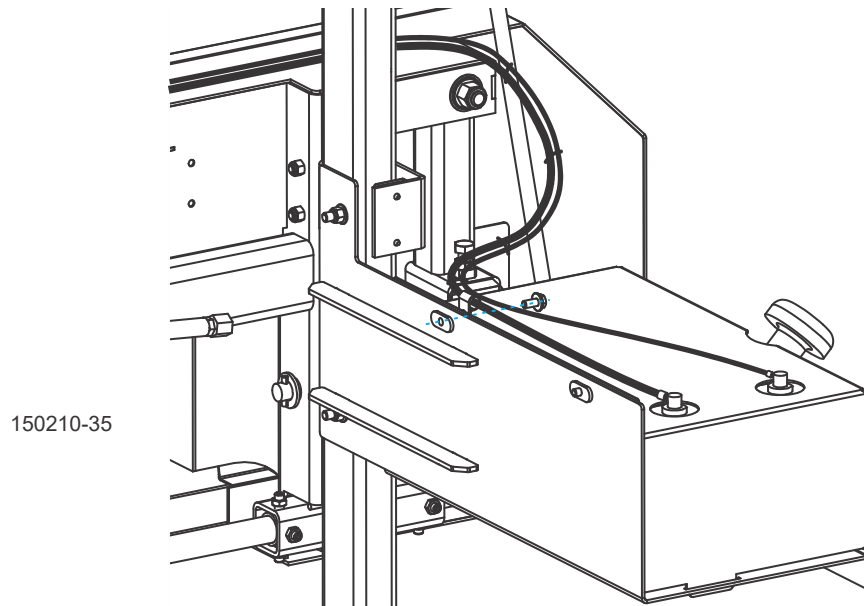


FIG. 3-20

SECTION 4 SAWMILL SETUP

4.1 Sawmill Setup

NOTE: The following setup procedure should be performed whenever the sawmill is moved or reassembled. If sawing problems occur and misalignment is suspected, [See SECTION 8](#) for complete alignment instructions. [See SECTION 3](#) for sawmill assembly instructions.

LEVELING THE LOG BED

1. Adjust the frame legs so the sawmill appears level. If sawmill is on soft ground, use shims under the legs if necessary.
2. Run a string from the front bed rail to the rear bed rail near the operator's side of the frame.
3. Place identical spacers between the string and the front and rear bed rails.
4. Measure the distance between the string and the other bed rails.
5. Adjust the frame legs until all bed rails measure the same distance from the string.

See Figure 4-1.

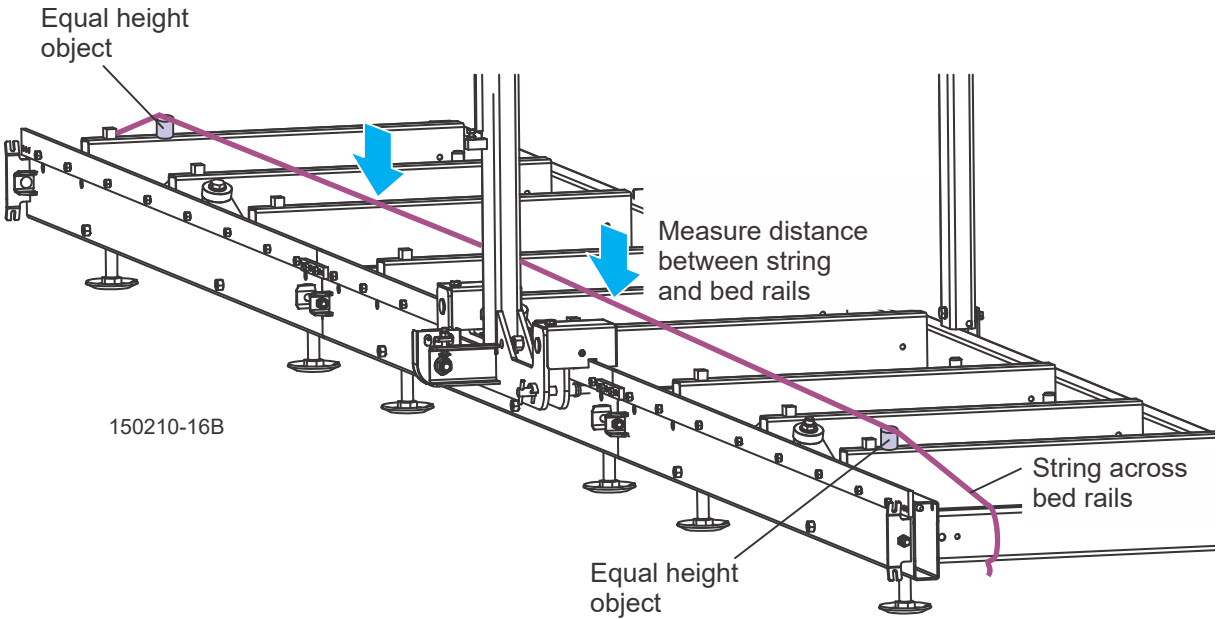


FIG. 4-1

6. Repeat the bed rail adjustment with the string at the other side of the sawmill frame.
7. Install a blade ([See Section 4.4](#) through [Section 4.6](#)) and move the saw carriage until the blade is positioned over the front bed rail.
8. Measure the distance from the bed rail to the bottom of the blade near the inside blade guide.

9. Measure the distance from the bed rail to the bottom of the blade near the outside blade guide.

When the blade is parallel to the bed, it will measure the same distance from the bed rail at the inside and outside of the saw head.

LEVELING THE SAWHEAD

1. Turn the saw head tilt adjustment nut clockwise to raise the outside of the saw head.
2. Turn the nut counterclockwise to lower the outside of the saw head.
3. After the saw head is adjusted parallel to the bed rail, check the space between the uppermost mast bearing and mast rail.
4. Adjust as necessary so the space is $1/32'' - 1/16''$ (0.8 - 1.6mm).

See Figure 4-2.

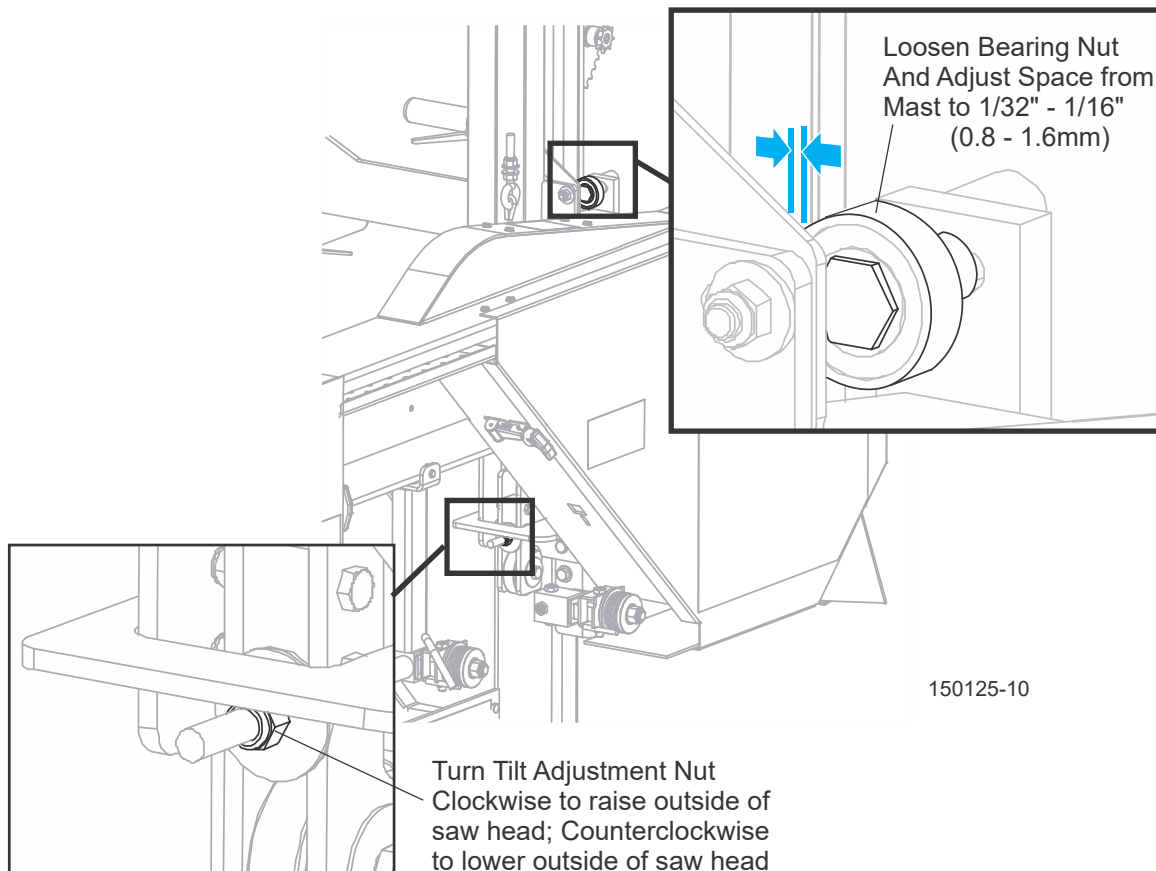


FIG. 4-2

4.2 Carriage Side Adjustment

The carriage rests on two roller bearings on the rail edge. Two bearings on either side of the roller bearing can be adjusted to keep the carriage tight against the rail.

See Figure 4-3.

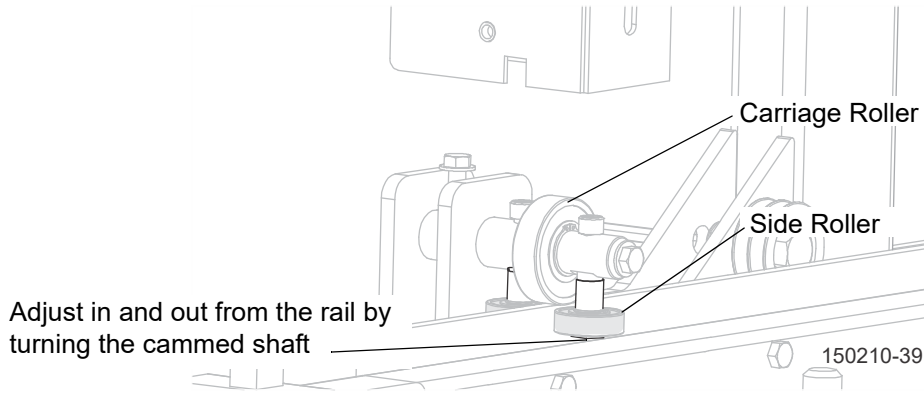


FIG. 4-3

NOTE: Do not overtighten! Roller bearings should turn freely.

4.3 Carriage Locking Pins

Prior to mill operation, make sure both lock pins are in the operation position (lock pins seated in lower notches of pin rest brackets). To reposition pin, pull pin outward, rotate as desired, and release into proper position.

See Figure 4-4.

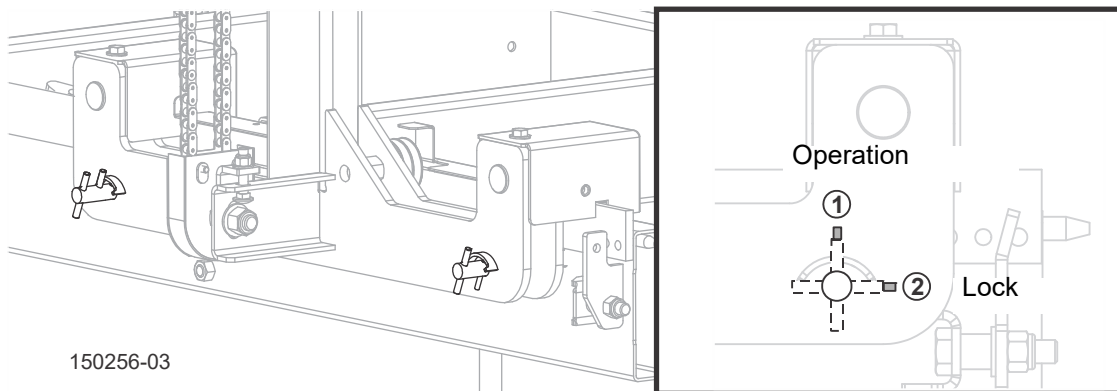


FIG. 4-4

NOTE (Rev. D6.00 - D7.00): The pins are designed so if they are inadvertently left in the assembly position, they will move to the operation position when the carriage is moved.

See Figure 4-5.

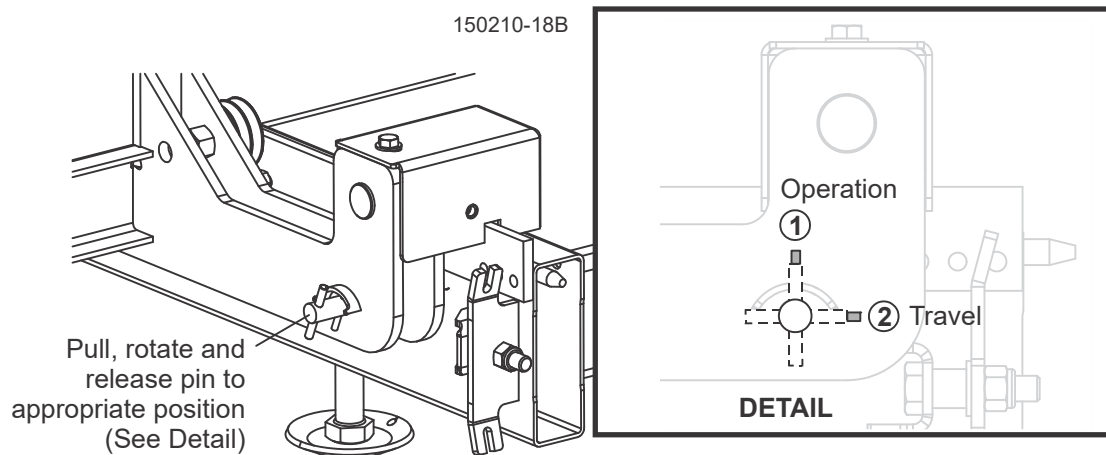


FIG. 4-5

4.4 Replacing The Blade



DANGER! Always disengage the blade and shut off the sawmill engine before changing the blade. Failure to follow this will result in serious injury or death.



WARNING! Always wear gloves and eye protection when handling bandsaw blades. Changing blades is safest when done by one person! Keep all other persons away from area when coiling, carrying or changing a blade. Failure to follow this may result in serious injury.

1. Open both blade housing covers.
2. Turn the blade tension handle until the wheel is pulled in and the blade is loose in the blade housing.
3. Lift the blade out of the blade housing.
4. Install the new blade.

When installing a blade, make sure the teeth are pointing the correct direction. The teeth should be pointing toward the operator side of the mill when you are looking at the blade below the blade guides.

5. Position 1 1/4" wide blades on the wheels so the gullet is 1/8" (3.0 mm) out from the edge of the wheel.
6. Close the blade housing covers.
7. Use the tension handle to tension the blade correctly.

4.5 Tensioning The Blade

Rev. E5.00+: The blade tensioner is factory-set so proper blade tension is achieved when the rubber spring is compressed 3/16" (4.8 mm). An indicator bolt is provided to indicate when the rubber spring has been compressed properly. To tension the blade, turn the blade tension handle up until it locks in place.



WARNING! Use both hands to operate the blade tensioner handle. Failure to follow this may result in injury.

1. Use the scalloped disk to turn the tensioner shaft.

See Figure 4-6. .

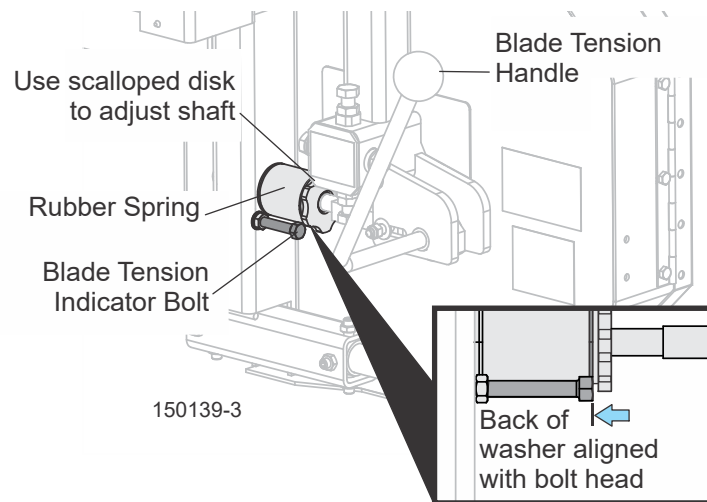


FIG. 4-6

2. Tension the blade.
3. Recheck the alignment of the rubber spring washer with the indicator bolt head.
4. Check the blade tension occasionally when adjusting the cant control or while cutting.

As the blade and belts heat up and stretch, the blade tension will change.

5. Adjust the tensioner shaft as necessary to maintain proper blade tension.

See Figure 4-7. Rev. E3.03 - E4.04: The blade tensioner is factory-set so proper blade tension is achieved when the rubber spring is compressed 3/16" (4.8 mm). A 3/16" washer is provided to indicate when the rubber spring has been compressed properly.

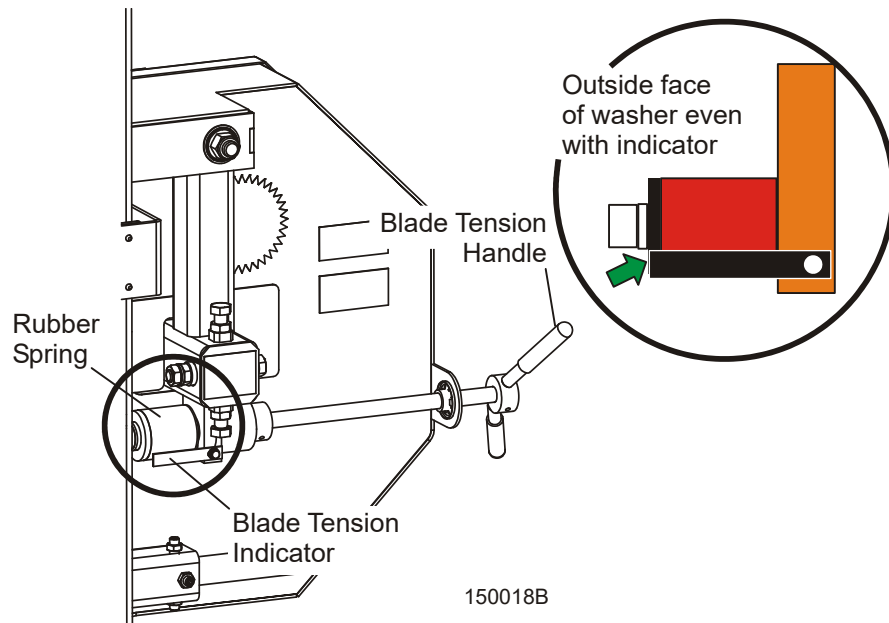


FIG. 4-7

Tension the blade by turning the blade tension handle clockwise to compress the rubber spring until the indicator bracket is even with the outside face of the washer. Check the blade tension occasionally when adjusting the cant control or while cutting.

NOTES: As the blade and belts heat up and stretch, the blade tension will change. Adjust the tension handle as necessary to keep the bushing aligned with the indicator.

NOTE: When the tensioner components are together before the spring begins to compress, the indicator bracket should be even with the inside face of the washer. Loosen the indicator mounting bolt and adjust the indicator even with the inside face of the washer if necessary.

4.6 Tracking The Blade

1. Make sure the blade housing covers are closed and all persons are clear of the open side of the saw head.
2. Start the engine.
3. Engage the blade, rotating the blade until the blade positions itself on the wheels.



WARNING! Do not spin the blade wheels by hand. Spinning the blade wheels by hand may result in serious injury.

4. Disengage the blade.
5. Turn off the engine, remove the key, and check the position of the blade on the blade wheels.
6. Position 1 1/4" wide blades so the gullet is 1/8" (3.0 mm) out from the edge of the blade wheel ($\pm 1/32$ [.75 mm]).

See Figure 4-8.

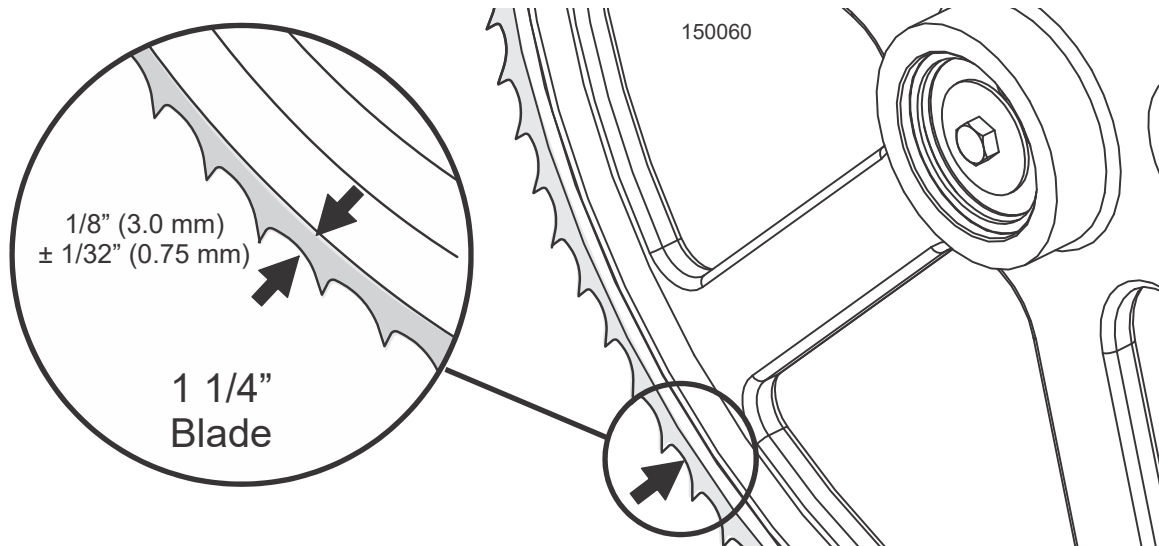


FIG. 4-8

7. Use the cant control to adjust where the blade travels on the blade wheels.

See Figure 4-9.

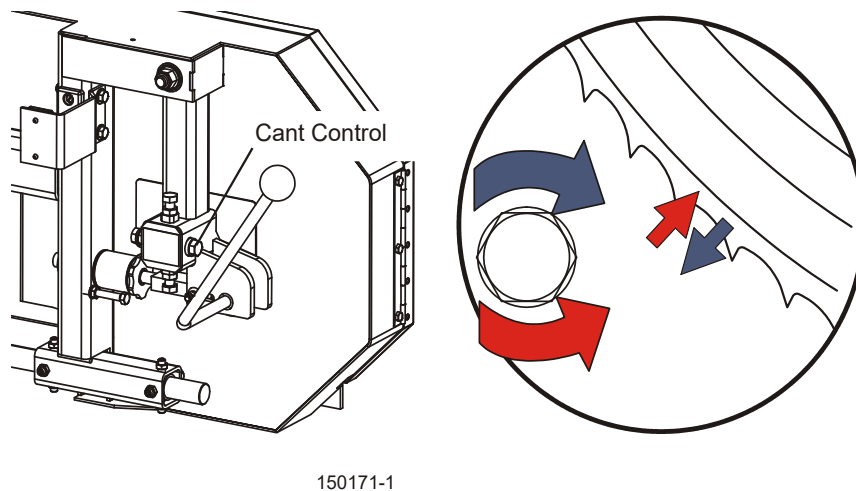


FIG. 4-9 REV. E5.00+

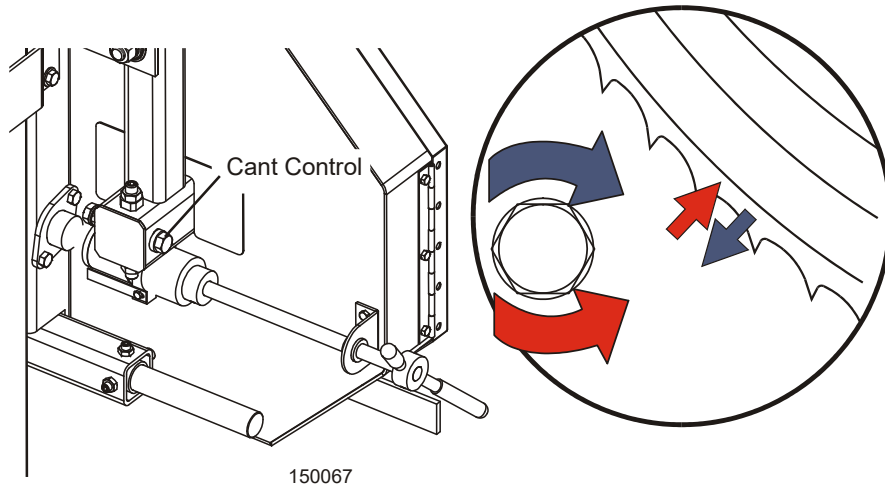


FIG. 4-9 REV. C.00 - E4.04

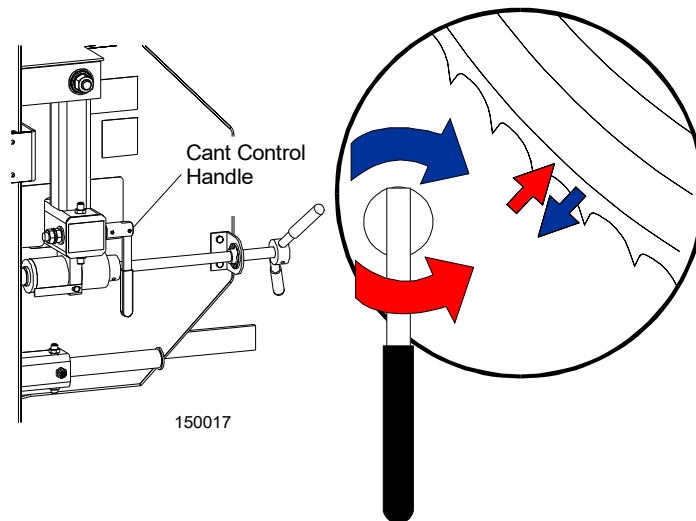


FIG. 4-9 REV. A.00 - B.00

NOTE: If the blade is too far out, back the blade onto the wheel by turning the cant control counterclockwise. If the blade is too far in, turn the cant control clockwise until the gullet of the blade is the correct distance from the front edge of the wheel.

8. Adjust the blade tension if necessary to compensate for any changes that may have occurred while adjusting the cant control.
9. Close the blade housing covers.

DANGER! Make sure all guards and covers are in place and secured before operating the sawmill. Failure to follow this may result in serious injury. Be sure the blade housing and pulley covers are in place and secure.

IMPORTANT! After aligning the blade on the wheels, always double-check the blade guide spacing and location. ([See SECTION 8](#) for more information.)

4.7 Starting The Engine

See the appropriate manual supplied with your specific engine/motor configuration for starting and operating instructions.



DANGER! Make sure all guards and covers are in place and secured before operating the sawmill. Failure to follow this may result in serious injury. Be sure the blade housing and pulley covers are in place and secure.



DANGER! Always be sure the blade is disengaged and all persons are out of the path of the blade before starting the engine or motor. Failure to follow this will result in serious injury.



WARNING! Always wear eye, ear, respiration, and foot protection when operating the sawmill. Failure to follow this may result in serious injury.

SECTION 5 SAWMILL OPERATION

5.1 Loading, Turning And Clamping Logs

TO LOAD LOGS

1. Start the engine and move the saw carriage to the front end of the frame.



CAUTION! Before loading a log, be sure the cutting head is moved far enough forward so the log does not hit it. Failure to follow this may result in machine damage.

2. Adjust the log clamps all the way down and move them toward the loading side of the sawmill frame.

NOTE: The clamps can be lifted and removed from the bracket assemblies to avoid damage to the clamp when loading a log.



CAUTION! Be sure the log clamps are adjusted out of the path of the log before loading a log onto the bed. Failure to follow this may result in machine damage.

3. Raise the side supports on the sawmill bed to prevent the log from falling off the side of the bed.
4. Place the **optional** loading ramps* (part number 015804) in the frame brackets that will evenly support the length of the log.

See Figure 5-1.

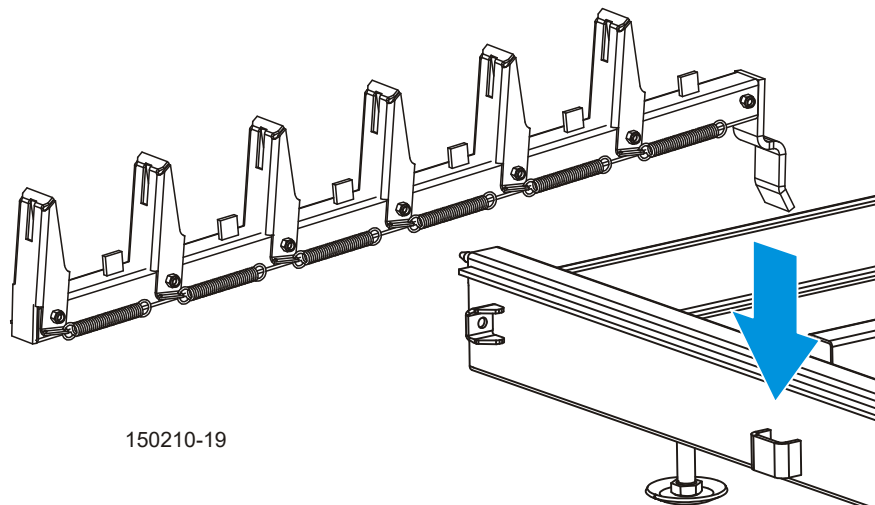


FIG. 5-1

5. Position the log at the foot of the ramps.

*.Also available as part of the LT15OP, Optional Package Kit for the LT15.

6. Use a cant hook* (part number CH48) to roll the log up the ramps and onto the sawmill bed. Position the log against the side supports.

NOTE: Position the log on the bed sections to maximize support of the log by the bed. If the log overhangs the bed, (particularly if the optional bed extension is installed) it may tend to sag, resulting in inaccurately sawn lumber.

7. Remove the **optional** log ramps and set aside.



CAUTION! The saw head will hit the spring-loaded ramp stops when adjusted for low cuts. Remove the loading ramps before sawing to prevent damage to the saw head and/or blade guide arm.

If you did not purchase the optional loading ramps, use boards for ramps or use log loading equipment to load the log on the sawmill bed.

NOTE: Logs also may be loaded onto the mill with a tractor or other equipment specifically designed for that purpose.

TO TURN LOGS

8. Use cant hooks to rotate the log on the sawmill bed. Spin the log against the side supports until it is turned the way you want it for the first cut.

TO CLAMP LOGS

Rev. E7.00+: Slide the clamp against the log and turn the locking handle to lock the clamp against the log

*.Also available as part of the LT15OP, Optional Package Kit for the LT15.

1. **Rev. E6.06 - E6.10:** Press down on the clamp upright lock and adjust the upright up or down as necessary. Slide the clamp against the log and turn the locking handle to lock the clamp against the log.

See Figure 5-2.

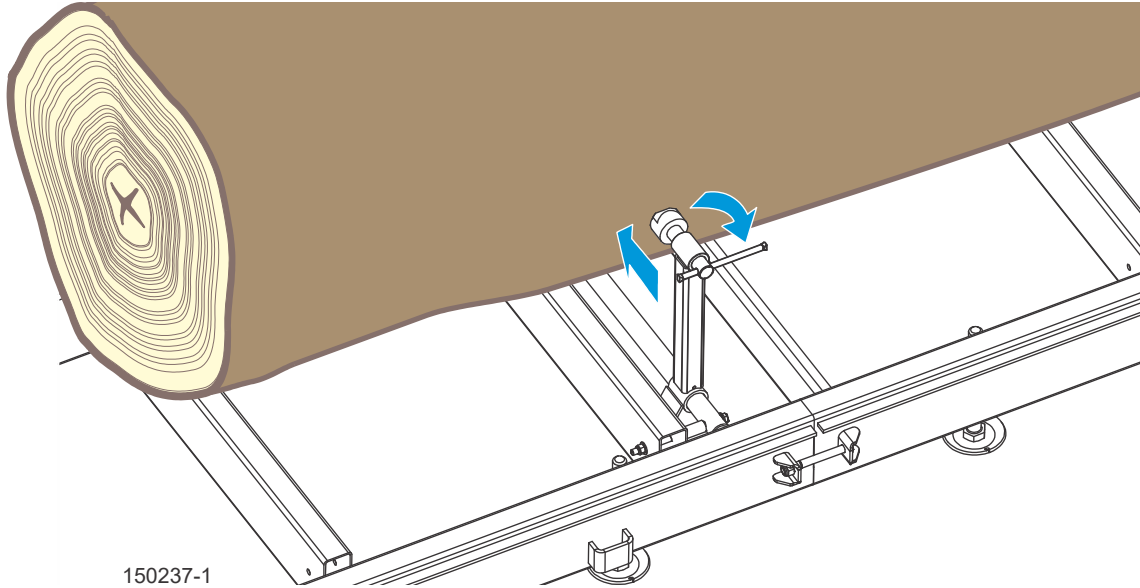


FIG. 5-2 REV. E7.00+

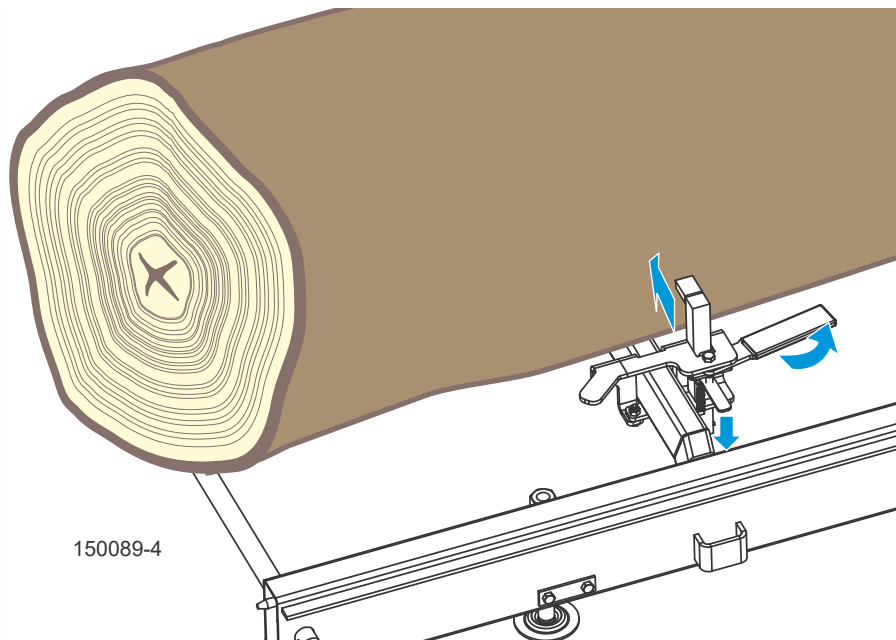


FIG. 5-2 REV. E6.06 - E6.10



CAUTION! Make sure the side supports and clamp are positioned low enough for the blade to pass over them. If they are not, back the clamp off slightly and push the side supports down until they are positioned below the level of your first few cuts.

TO LEVEL A TAPERED LOG

Use shims or the **optional** Log Wedge* (part number 015809) to raise either end of a tapered log, if desired.

Shim one end of the log until the heart of the log measures the same distance from the bed rails at each end of the log.

NOTE: The optional log wedge was redesigned 4/09 to accommodate Rev. G.00 and later bed sections (LT15 Rev. E6.04+). For older beds, disassemble the log wedge and reassemble with the thinner spacer bracket provided.

See Figure 5-3.

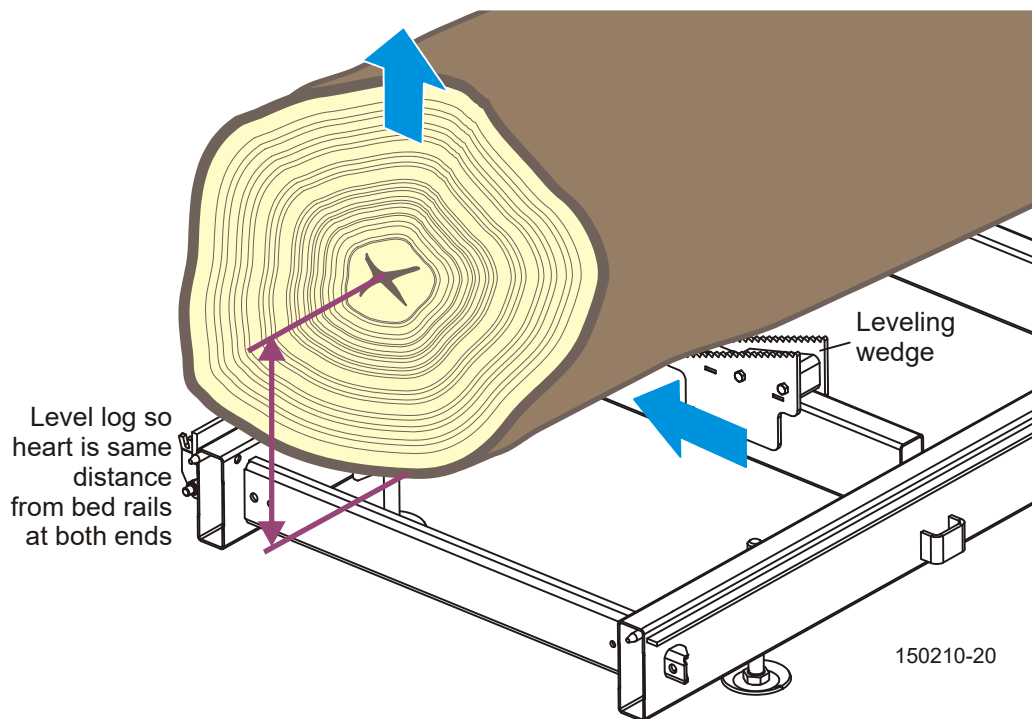


FIG. 5-3

5.2 Up/Down Operation

1. Install a blade, if needed, and check for correct blade tension. ([See Section 4.4](#)).
2. Set the cutting head to the desired height. (The blade height scale shows the height of the blade above the bed rails.)
3. Use the up/down crank to raise or lower the cutting head.

*.Also available as part of the LT15OP, Optional Package Kit for the LT15.

4. Press the handle lock and turn the crank clockwise to lower the saw head or counterclockwise to raise the saw head.

Each notch in the crank wheel will move the blade 1/16" (1.6mm). A complete revolution of the wheel is 4" (100mm) (2" (50mm) for gas engine options only) .

5. Release the handle lock to lock the saw head in place.
6. Use the pointer and the round up/down blade height scale for quick reference when cutting.

See Figure 5-4.

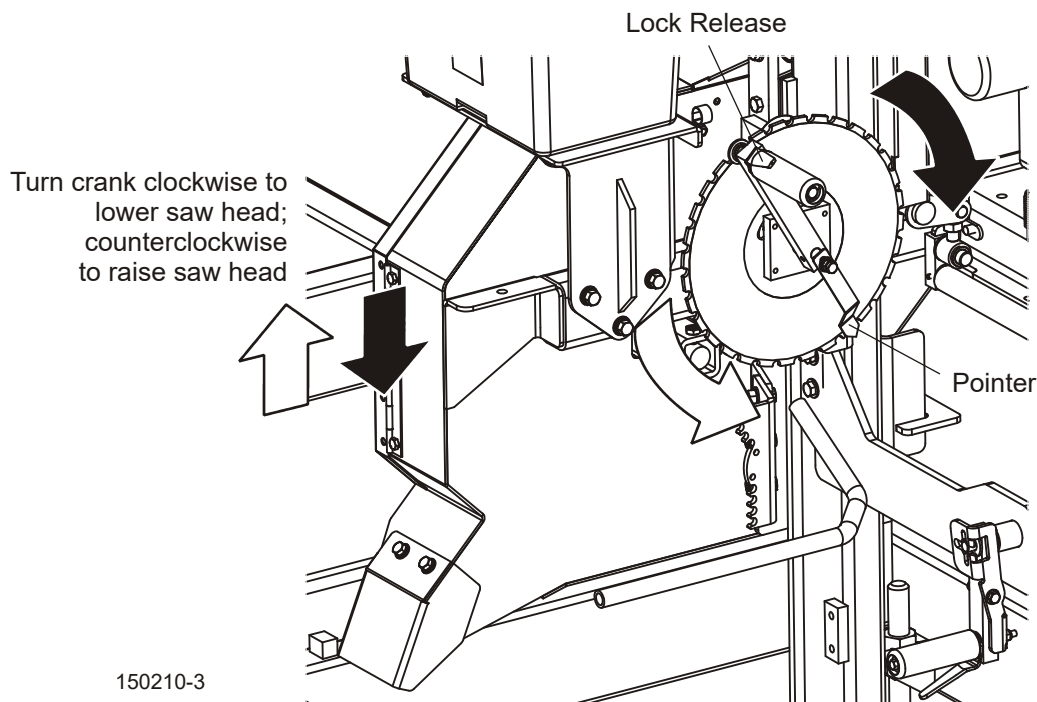


FIG. 5-4



CAUTION! DO NOT try to force the carriage above the 27" (68 cm) mark or below the 1" (2.54 cm) mark. Damage to the up/down system may result.

5.3 Blade Guide Arm Operation

1. Estimate the maximum width of the log.

The outer blade guide should be adjusted to clear the widest section of the log by less than 1" (25.4 mm).

2. Use the blade guide arm lever to adjust the outer blade guide as necessary.
3. Pull the lever toward you to move the arm in; push the lever away from you to move the arm out.

See Figure 5-5. Rev. E4:00+:

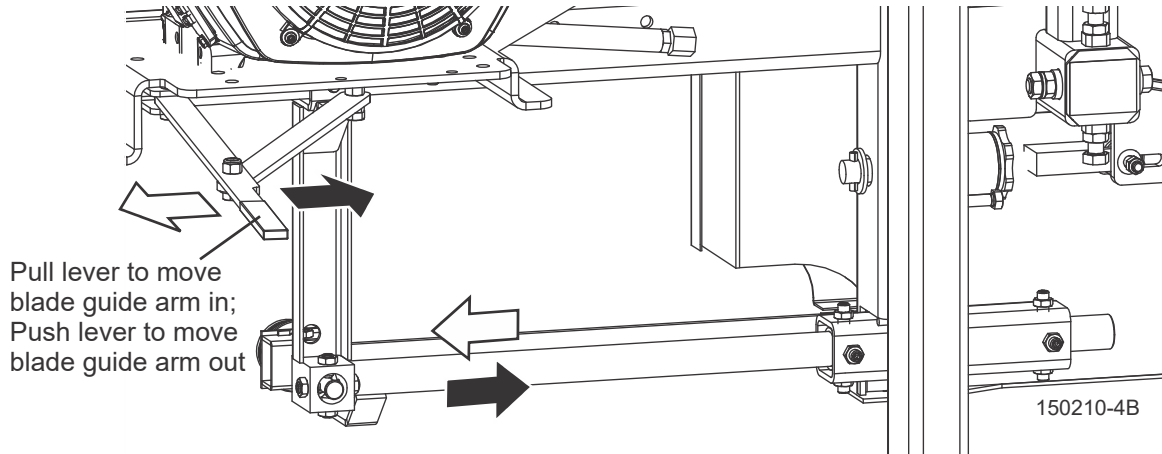


FIG. 5-5

See Figure 5-6. Rev. E3.03: Use the blade guide arm knob to adjust the outer blade guide as necessary. Turn the blade guide arm knob clockwise to move the arm in. Turn the knob counterclockwise to move the arm out.

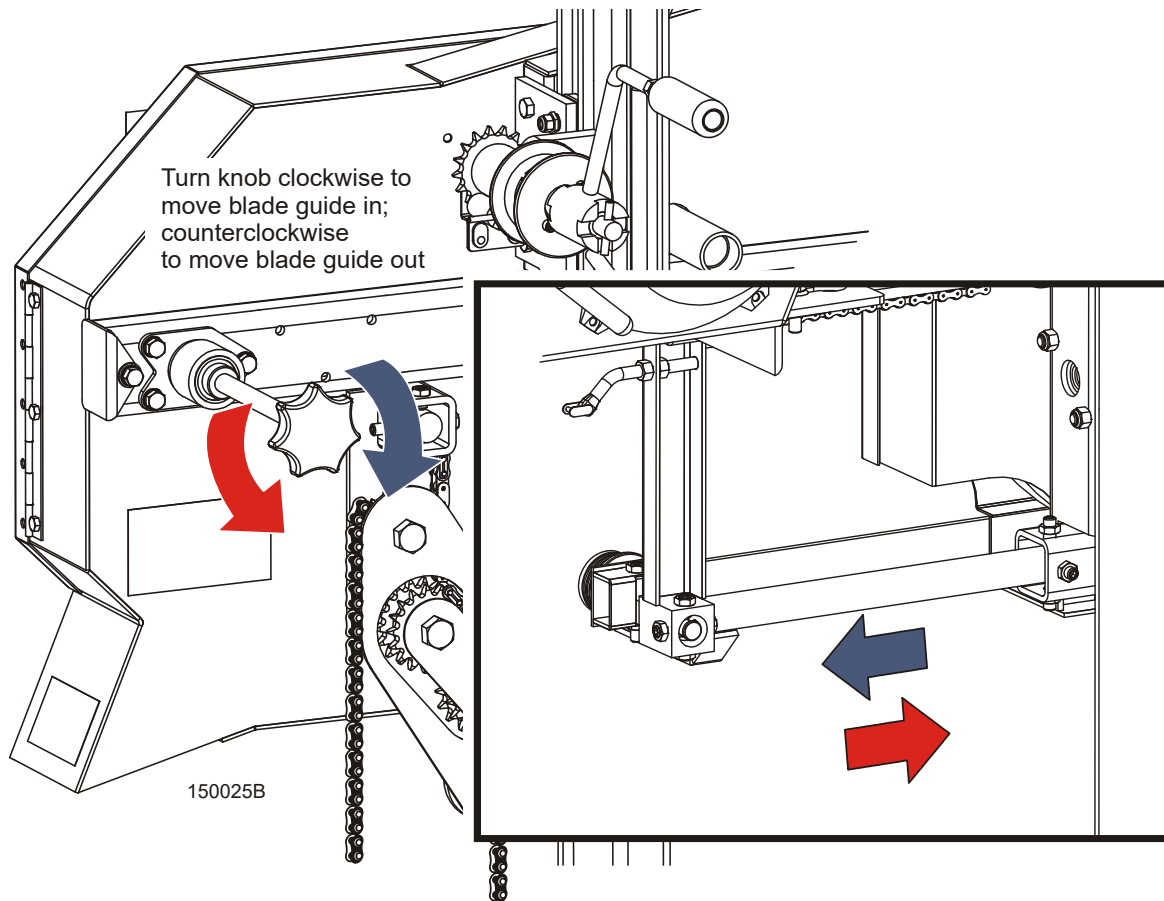


FIG. 5-6

5.4 Feed Operation

1. Use the feed crank handle to move the saw carriage forward.

See **Figure 5-7. Rev. E4.00+**: Squeeze the engagement lever and rotate the feed crank clockwise.

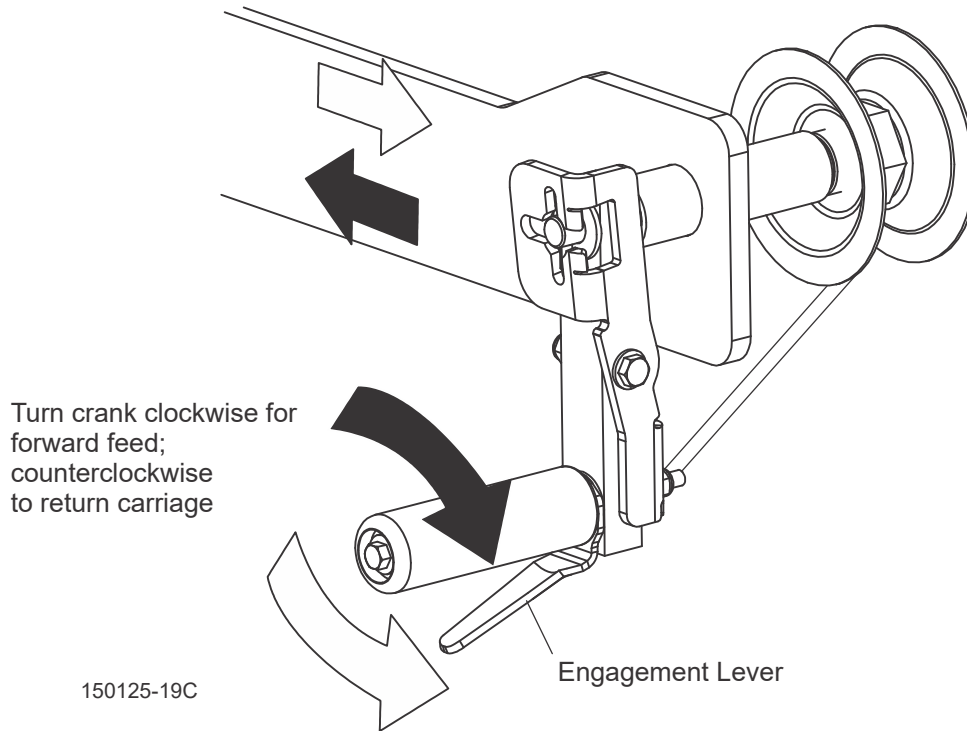


FIG. 5-7

See **Figure 5-8. Rev. E3.03**: Push the crank handle in to engage the screw heads and rotate the feed crank clockwise.

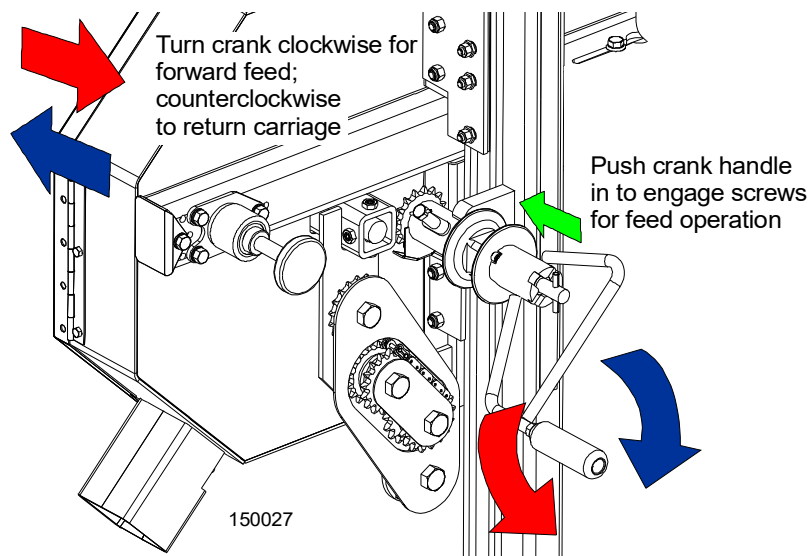


FIG. 5-8

HINT: To get a straight cut in the first part of the board, feed the blade into the log at a slow speed. This stops the blade from flexing and dipping up or down. Use a slow speed until the whole width of the blade has entered the cut. Then increase the feed rate as desired. Maximum feed rate varies with width and hardness of the wood. Over-feeding results in engine and blade wear, and also produces a wavy cut.

2. Stop the carriage at the end of the cut. Raise the clutch lever up to stop the blade and drop the engine to idle. Remove the board from the top of the log. **Always disengage the blade before returning the carriage for the next cut.**



CAUTION! Be sure to stop the blade when returning the carriage. This will not only prevent the blade from being pulled off and ruined by a wood sliver, but also will increase the life of the blade.

3. Make sure that the blade does not catch on the end of the log. Raise the carriage slightly to make sure the blade clears the log when returned.
4. To move the carriage backward, squeeze the engagement lever and rotate the feed crank counterclockwise or pull the saw head back using the carriage push/pull handle (handle supplied on Rev. E4.00+).

HINT: Try to stop the blade while the heel of the blade is still on the log. Then bring the carriage back without adjusting the blade up. This lets you keep the blade at the current height setting so you can make the next blade height adjustment more quickly.

5.5 Clutch Operation

1. Clear any loose objects from the area of the blade, motor, and drive belt.
2. Make sure the clamps and side supports are adjusted below the level of your first few cuts.
3. Start the engine as instructed in the option manual.



DANGER! Keep all persons out of the path of moving equipment and logs when operating sawmill or loading and turning logs. Failure to follow this will result in serious injury.

Be sure the blade housing and pulley covers are in place and secure before starting the engine or motor. Use the rubber latches to fasten the blade housing covers shut.

See Figure 5-9. The clutch lever is located next to the engine.

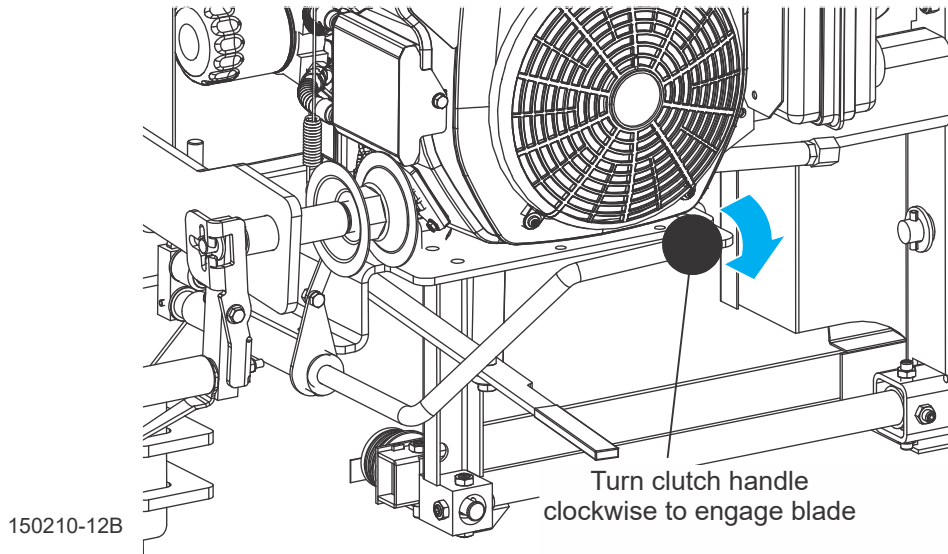


FIG. 5-9

4. To engage the blade, pull the clutch lever clockwise until it locks in the down position. This engages the drive mechanism and increases the engine speed to full throttle.
5. To disengage the blade, raise the clutch lever to the up position. This disengages the drive belt and returns the engine to idle.

5.6 Cutting The Log

1. Position the log and clamp firmly.
2. Move the saw head to position the blade close to the end of the log.
3. Use the blade height scale to determine where to make your first cut ([See Section 5.8](#)).

The blade height scale will help you to do this. Set the blade to the desired height with the up/down crank. Make sure that the blade will clear all side supports and the clamps. Adjust the outer blade guide to clear the widest section of the log by moving the blade guide arm knob.

4. Engage the clutch to start the blade spinning.
5. Start the water lube if necessary to prevent sap buildup on the blade. [See Section 5.9](#).
6. Feed the blade into the log slowly ([See Section 5.4](#)).

Once the blade completely enters the log, increase the feed rate as desired. Always try to cut at the fastest speed you can while keeping an accurate cut. Cutting too slowly will waste blade life and lower production!

7. As you get to the end of the log, slow down the feed rate.

8. Disengage the clutch when the teeth exit the end of the log; remove the slab that you have just cut from the log.
9. Use the feed crank to return the carriage to the front of the mill.
10. Repeat until the first side of the log is cut as desired.
11. Set aside the usable flitches (boards with bark on one or both sides). You can edge them on the mill later.
12. Remove the wedge if it was used.
13. Remove the clamps and turn the log 90 or 180 degrees.

Make sure the flat on the log is placed flat against side supports if turned 90 degrees. Make sure it is placed on bed rails if turned 180 degrees. If the log was turned 90 degrees and you are using the wedge to compensate for taper in the log, use the wedge again on the second side of the log until the heart is parallel with the bed.

14. Repeat the steps used to cut the first side of the log until the log is square. Cut boards from the remaining cant by adjusting the blade height for the thickness of boards that you want.

Example: Remember that the blade cuts a 1/16 - 1/8" (1.6-3.2 mm) wide kerf. If you want 1" (25.4 mm) thick boards, lower the carriage 1 1/16 - 1 1/8" (27-28.6 mm) for each board.

5.7 Edging

1. Raise the side supports to 1/2 the height of the flitches, or the boards that need to be edged.
2. Stack the flitches on edge against the side supports.
3. Clamp the flitches against the side supports halfway up the flitch height. (Wider flitches should be placed to the clamp side. When they are edged, flip them over to edge the second side without disturbing the other flitches or without having to pull them from the middle of the stack).
4. Adjust the blade height to edge a few of the widest boards.
5. Loosen the clamps and turn the edged boards over to edge the other side.
6. Repeat steps 2-4.
7. Loosen the clamps and remove the boards that have good clean edges on both sides. Clamp the remaining flitches and repeat steps 2-5.

5.8 Blade Height Scale

The blade height scale includes a blade height indicator, an inch scale, and a magnetic quarter scale.

See Figure 5-10.

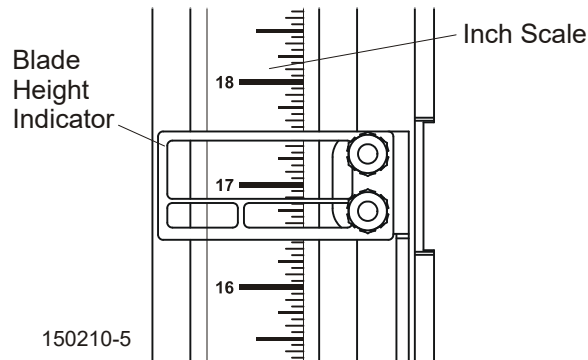


FIG. 5-10

THE INCH SCALE

The horizontal line on the blade height indicator shows how many inches the bottom of the blade is above the bed of the mill. If you know the height of your blade at each cut, you can determine the thickness of lumber you are sawing.

Example: You want to cut 1" (25 mm) random width boards from a log. Position the blade for the first cut. Move the carriage to an even measurement on the inch scale. Make a trim cut. Return the carriage for the second cut and lower it 1 1/8" (29 mm) below the original measurement. (The extra 1/8" (3 mm) allows for saw kerf and shrinkage of the lumber.)

The yellow area on the scale identifies where the blade could encounter a side support or log clamp. Check that these items are below the blade level before sawing.

THE QUARTER SCALE

The magnetic quarter scale has four sets of marks. Each set represents a specific lumber thickness. Saw kerf and shrinkage allowance are included, but actual board thickness will vary slightly depending on blade thickness and tooth set.

See Table 5-1.

Standard Quarter Scale	
Scale	Actual Board Thickness
4/4	1" (25 mm)
5/4	1 1/4" (32 mm)
6/4	1 1/2" (38 mm)
8/4	2" (51 mm)

TABLE 5-1

To use the quarter scale, look at the blade height indicator.

Position the magnetic quarter scale over the inch scale. Align one of the quarter scale marks with the horizontal line on the indicator.

Make a trim cut. When you return the carriage for a second cut, lower the carriage to the next mark on the scale. This mark shows where the blade should be positioned to cut a certain thickness of lumber, without having to measure on the inch scale.

Example: You want to cut 1" (25 mm) (4/4) random width boards from a log. Position the blade for the first cut. Position the magnetic quarter scale so a 4/4 mark is aligned with the line on the indicator. Make a trim cut. Return the carriage for the second cut. Now, instead of having to measure down 1 1/8" (29 mm) on the inch scale, you can simply lower the blade so the indicator is aligned with the next 4/4 mark on the quarter scale. Turn the log 90 degrees and repeat.

5.9 Water Lube Operation

The optional Water Lube System keeps the blade clean. Water flows from a 5-gallon (18.9 liter) bottle through a hose to the blade guide where the blade enters the log. A valve in the bottle cap controls the amount of water flow.

See Figure 5-11. Install the water bottle bracket at the top of the saw head mast. **NOTE:** The D17/D19/G25 water tank tray also includes the fuel tank, but mounts to the mast in the same manner.

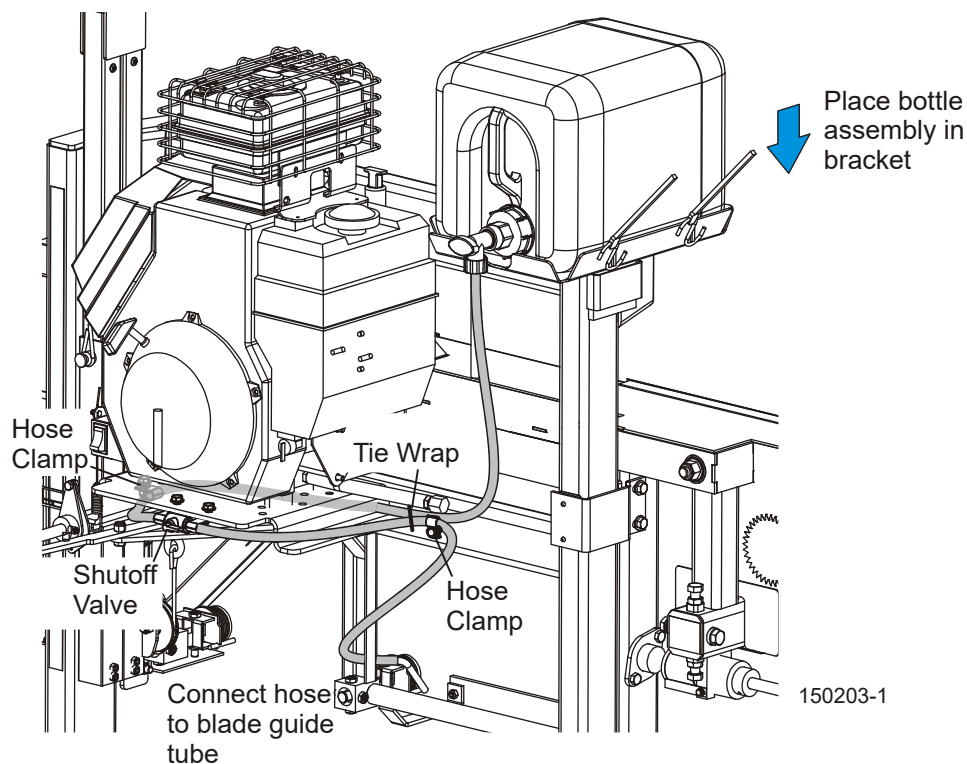


FIG. 5-11 LT15 REV. E7.00+

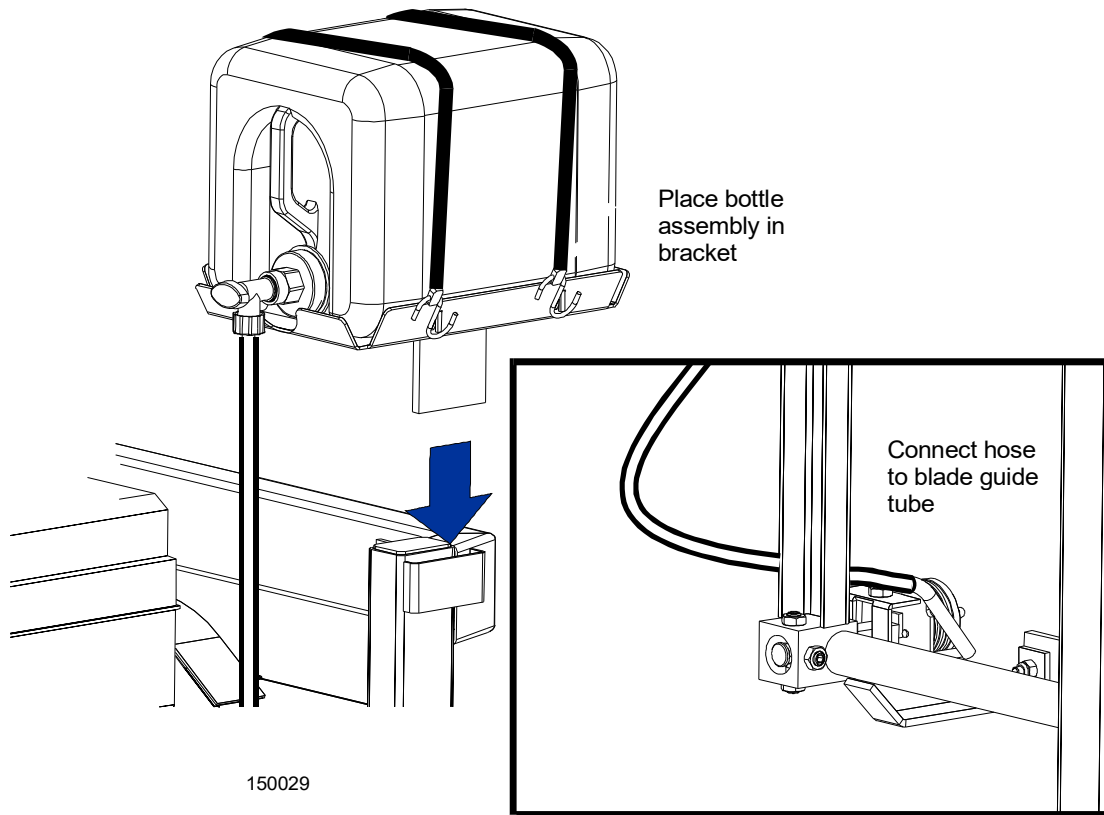


FIG. 5-11 LT15 REV. E6.06 - E6.10

See Figure 5-12.

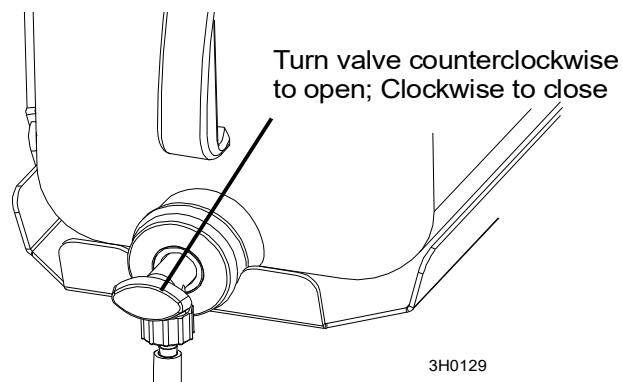


FIG. 5-12 LT15 REV. E6.06 - E6.10

Not all types of wood require the use of the Water Lube System. When it is needed, use just enough water to keep the blade clean. This saves water, and lowers the risk of staining the boards with water. Usual flow will be 1-2 gallons (3.8-7.6 liters) per hour.

Before removing the blade, engage the blade. Let the blade spin with water running on it for about 15 seconds to clean the blade of sap buildup. Wipe the blade dry with a rag before storing or sharpening.

For further lubrication benefits, add one 12oz. (0.35L) bottle of Wood-Mizer Lube Additive to 5 gallons (18.9 liters) of water. Wood-Mizer Lube Additive enables some difficult timbers to be cut by significantly reducing resin buildup on the blade, heat buildup, wavy cuts, and blade noise. This biodegradable and environmentally-friendly pre-mix includes a water softener additive to work with hard water.



WARNING! Use ONLY water and Wood-Mizer Lube Additive with the water lube accessory. Never use flammable fuels or liquids such as diesel fuel. If these types of liquids are necessary to clean the blade, remove it and clean with a rag. Failure to follow this can damage the equipment and may result in serious injury or death.

If you are sawing in freezing temperatures, remove the water lube bottle from the sawmill when done sawing and store it in a warm place. Blow any remaining water from the water lube hose.

5.10 Loading & Transporting the Sawmill

The assembled sawmill can be manually loaded into and transported in an appropriately equipped pickup truck:



WARNING! A minimum of three people (four recommended) is required to safely load or unload the sawmill from a pickup truck. Failure to follow this may result in serious injury or death.

The sawmill weighs 1100 lbs. (500Kg). The center of gravity of the carriage is off-center toward the operator side. The higher the saw head from the bed frame, the more easily the mill can be tipped toward the operator side.



WARNING! Ensure the carriage lock pins are properly engaged. Failure to follow this may result in serious injury or death.

To prevent the carriage from unexpectedly sliding on the rails, the pin at the end of the sawmill **must engage the hole in the bed frame**. The other pin must be left in the operation position.

1. Remove the leg assemblies or adjust them above the bottom of the bed frame.

See Figure 5-13. [See Section 3.5](#) for a detailed description of carriage lock pin operation.

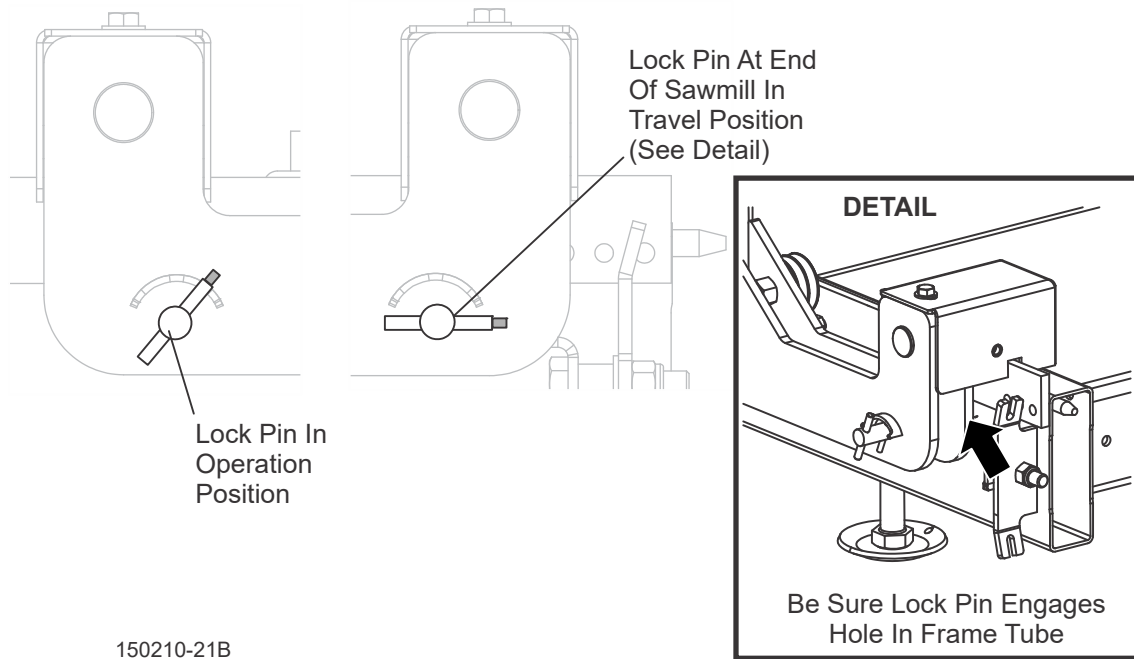


FIG. 5-13

See Figure 5-14.

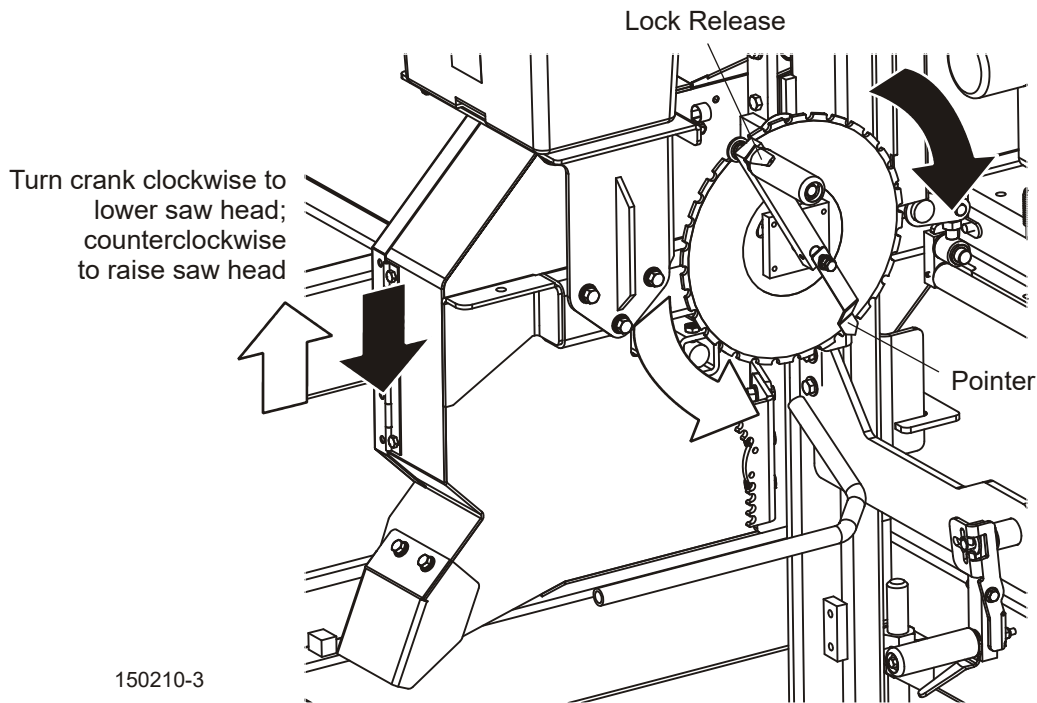


FIG. 5-14



CAUTION! Adjust the saw head up just far enough so it will clear the sides of your truck bed when loaded.

NOTE: For most pickup trucks, a minimum of 18" (460mm) between the blade and bed frame cross members should be adequate. Do not adjust the saw head so high that the sawmill will tip easily while being loaded.

2. Move the carriage to one end of the mill.
3. Rotate and release the lock pin closest to the end of the mill.

See Figure 5-15.

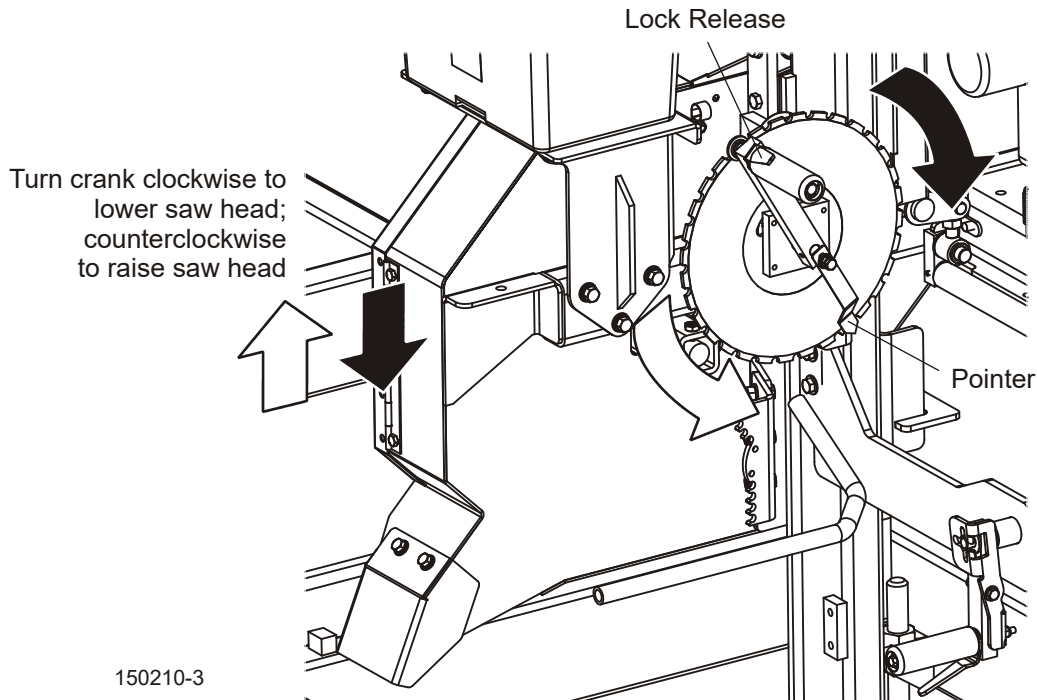


FIG. 5-15



CAUTION! Be sure the lock pin engages the hole in the bed frame to secure the saw carriage in place. The other lock pin remains in the operation position.

4. Remove the tailgate from your truck to eliminate the possibility of damage and/or injury,
5. Position the bed of the truck at the end of the frame **opposite the carriage**.



WARNING! Keep all persons out of the area between the frame rails while loading and unloading the sawmill. Failure to follow this may result in serious injury or death.



WARNING! Do not lift the sawmill onto the truck using ropes, cables, or chains, etc.; the sawmill can easily rotate and tip over when lifted. Failure to follow this may result in serious injury or death.

6. Position two people (for lifting) about two feet inward from the end of the frame.
7. As they lift the frame, the third person should back the truck slowly under the sawmill until the end of the frame is resting firmly on the bed of the truck.



IMPORTANT! The operator side is heavier than the opposite side.

8. Position two people on either side of the saw head to hold the sawhead while a third person pulls and rotates (releases) the lock pin from the locked position to the operation position.
9. Push the saw carriage up the bed frame to the opposite side of the bed frame (on the truck).

NOTE: More people may be required to help push as the saw head gets more difficult to push up the incline.

10. Engage the lock pin at the end of the sawmill to secure the carriage.

See Figure 5-16.

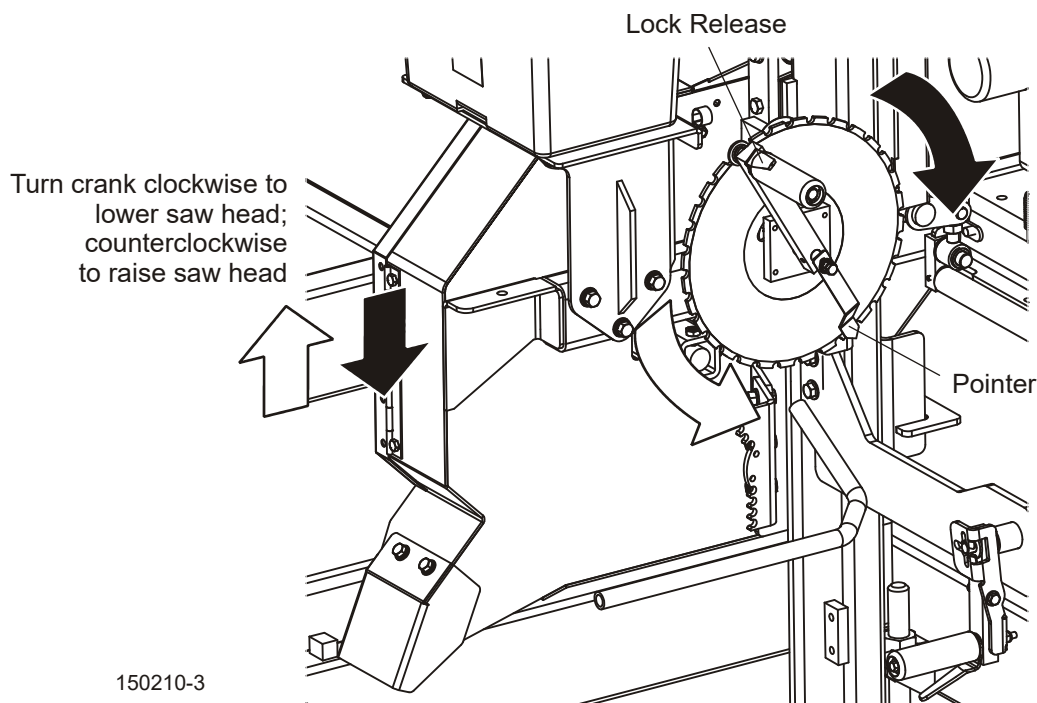


FIG. 5-16



CAUTION! Be sure the lock pin engages the hole in the bed frame to secure the saw carriage in place. The other lock pin remains in the operation position.

11. Use three or more people to lift the end of the mill still on the ground and slide the sawmill into the truck bed.
12. Secure the sawmill to the truck bed to prevent the sawmill from shifting while it is being transported. If the sawmill extends beyond the truck bed, attach a red warning flag to the end of the sawmill.

SECTION 6 MAINTENANCE

This section lists the maintenance procedures that need to be performed.

See the [Maintenance chart](#) located after this section for a complete list of maintenance procedures and intervals. Keep a log of machine maintenance by recording in the machine hours and the date you perform each procedure.



This symbol identifies the interval (hours of operation) at which each maintenance procedure should be performed.

Be sure to refer to option and engine manuals for other maintenance procedures.

6.1 Wear Life

See Table 6-1. This chart lists estimated life expectancy of common replacement parts if proper maintenance and operation procedures are followed. Due to the many variables which exist during sawmill operation, actual part life may vary significantly. This information is provided so that you may plan ahead in ordering replacement parts.

Part Description	Estimated Life
B57 Blade Wheel Belts	400 hours
Blade Guide Rollers	1000 hours
Drive Belt	1250 hours

TABLE 6-1

6.2 Blade Guides



WARNING! Turn the key switch to the OFF (#0) position and remove the key prior to performing service near moving parts such as blades, pulleys, motors, belts, or chains. Failure to follow this may result in serious injury or death.

1. Check the rollers for performance and wear every blade change. Make sure the rollers are clean and spinning freely. If not, replace them. Replace any rollers which have worn smooth or have become cone shaped.

6.3 Sawdust Removal



WARNING! Turn the key switch to the OFF (#0) position and remove the key prior to performing service near moving parts such as blades, pulleys, motors, belts, or chains. Failure to follow this may result in serious injury or death.



Remove the excess sawdust from the blade wheel housings and sawdust chute every blade change.



WARNING! Keep clear of exiting sawdust. Keep hands, feet and any other objects away from the sawdust chute when operating sawmill. Failure to follow this may result in serious injury.



WARNING! Ensure the steel fingers inside the sawdust chute are in place before operating the sawmill. The steel fingers have been designed to help prevent a broken blade or some other object from becoming a projectile and exiting the sawdust chute. Failure to have these fingers in place may result in serious injury.

Remove sawdust buildup from rope feed pulleys and up/down chain sprockets as necessary.

6.4 Carriage Track, Wiper & Scrapers



WARNING! Before performing service near moving parts such as blades, pulleys, motors, belts and chains, first turn the key switch to the OFF (#0) position and remove the key. Failure to follow this may result in serious injury or death.

Properly maintaining the sawmill carriage track is critical in preventing corrosion that can cause pitting and scaling on the rail surfaces. Pitted and scaled surfaces can, in turn, cause rough cuts or jerky feed movement.

- 8 **1.** Clean track rails to remove any sawdust and sap buildup every eight hours of operation.

Use a light-grade sandpaper or emery cloth to sand off any rust or other adhering particles from the rails.



CAUTION! Keep track rails free of rust. Formation of rust on the track rail in the areas where the cam bearings roll can cause rapid deterioration of the track rail's surface.

Lubricate the rails by wiping them with Dexron III ATF transmission fluid. Lubrication will help protect the rails from corrosive elements such as acid rain and/or moisture from nearby bodies of saltwater (if applicable). This lubrication is essential to maintain the integrity of the track rails and track rollers and to achieve long service life.

- 25 **2.** Remove sawdust from the track roller housings and lubricate the felt track wipers every twenty-five hours of operation.

Remove the track roller housing covers and brush any sawdust buildup from the housings.

Clean and lubricate the felt track wipers. Unbolt the middle track cover and idle track wipers, remove from the sawmill and remove any sawdust buildup. Soak the felt wipers with Dexron III transmission fluid.



- 3.** Check the track scrapers as needed. Make sure the scrapers fit firmly against the rail. If a track scraper needs to be adjusted, loosen the screw, push the scraper downward until it fits firmly against the rail, and retighten the screw.

See Figure 6-1.
See Figure 6-2.

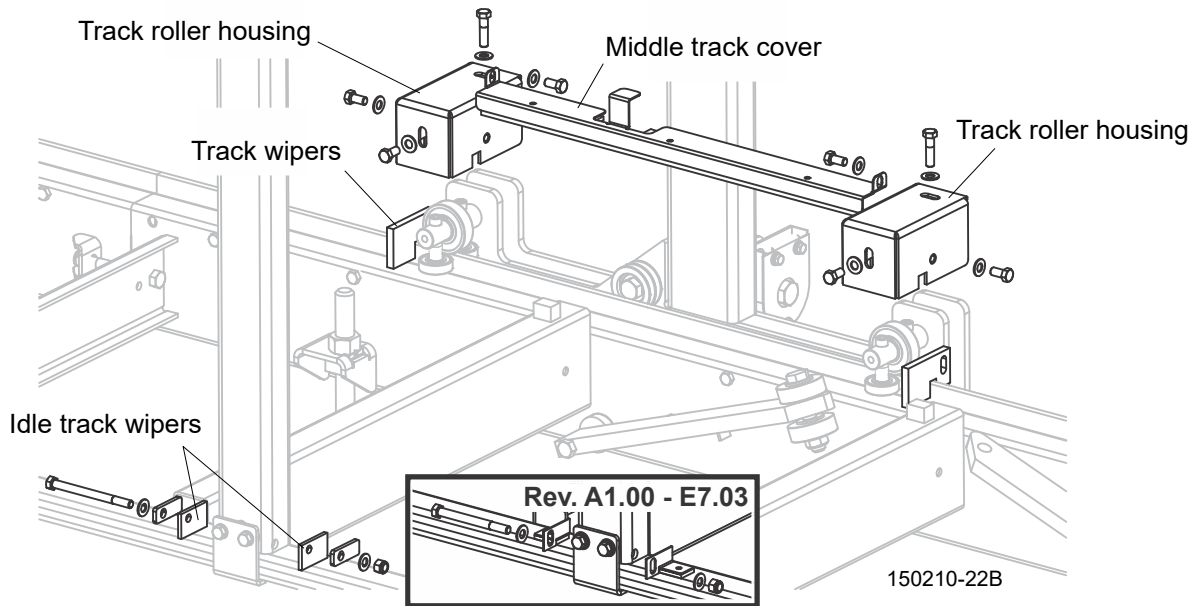


FIG. 6-2 LT15

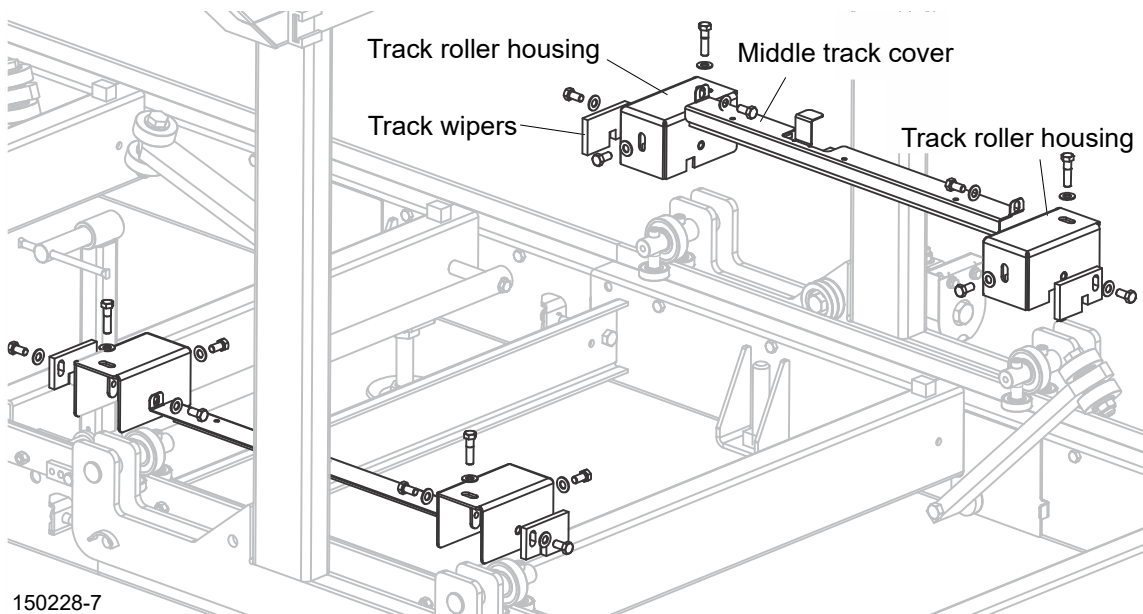


FIG. 6-2 LT15 WIDE ONLY

6.5 Vertical Mast Rails



WARNING! Before performing service near moving parts such as blades, pulleys, motors, belts and chains, first turn the key switch to the OFF (#0) position and remove the key. Failure to follow this may result in serious injury or death.

50

Clean the vertical mast rails every 50 hours of operation.

CAUTION! Never use grease on the mast rails as it will collect sawdust.

6.6 Miscellaneous



6.6 Miscellaneous



WARNING! Before performing service near moving parts such as blades, pulleys, motors, belts and chains, first turn the key switch to the OFF (#0) position and remove the key. Failure to follow this may result in serious injury or death.

1. Oil all chains with Dexron III ATF every fifty hours of operation.

50



CAUTION! Do not use chain lube. It causes sawdust buildup in chain links.

2. Grease the clamps and side support pivots with a NLGI No. 2 grade lithium grease every fifty hours of operation.

50

3. Check the mill alignment every setup ([See Section SECTION 7](#)).
4. Make sure all safety warning decals are readable. Remove sawdust and dirt. Replace any damaged or unreadable decals immediately. Order decals from your Customer Service Representative.

6.7 Blade Wheel Belts



WARNING! Before performing service near moving parts such as blades, pulleys, motors, belts and chains, first turn the key switch to the OFF (#0) position and remove the key. Failure to follow this may result in serious injury or death.

- 50 Rotate the blade wheel belts and check them for wear. Rotating the belts every 50 hours will provide longer belt life. Replace belts as necessary. Use only B57 belts supplied by Wood-Mizer.

6.8 Drive Belt Adjustment



WARNING! Disconnect and lockout power before performing any service to the electrical system. For battery-powered equipment, disconnect the negative battery terminal cable. Failure to follow this may result in injury and/or electrical system damage.



WARNING! Before performing service near moving parts such as blades, pulleys, motors, belts and chains, first turn the key switch to the OFF (#0) position and remove the key. Failure to follow this may result in serious injury or death.



WARNING! Do not adjust the engine drive belts or belt support bracket with the engine running. Failure to follow this may result in serious injury or death.

- 50 **See Table 6-2.** See the table below for drive belt tension specifications for your model sawmill. Measure the belt tension with a gauge. **NOTE:** Wood-Mizer offers a belt tension gauge (Part No.

016309) that will let you accurately measure the belt tension.

Engine/ Motor	New Belt Installation/New Sawmill Operation				Subsequent Adjustment		
	Deflection Inches (mm)	Installation Force lbs. (kg)	Check After First	Acceptable Force lbs. (kg)	Then Check Every	Deflection Inches (mm)	Force lbs. (kg)
ALL ¹	1/2" (13mm)	14 lbs. (6.35kg)	20 hrs	14 lbs. (6.35kg)	50 hrs	1/2" (13mm)	14 lbs. (6.35kg)

TABLE 6-2

¹ G15 engine option no longer available (3/11). Use conversion kit (065379) to replace G15 with G18 engine option.

ADJUST THE DRIVE BELT TENSION

1. Loosen the drive belt jam and hex nuts. Turn the jam nut counterclockwise (as viewed from the top) to tighten the belt.

See Figure 6-3.

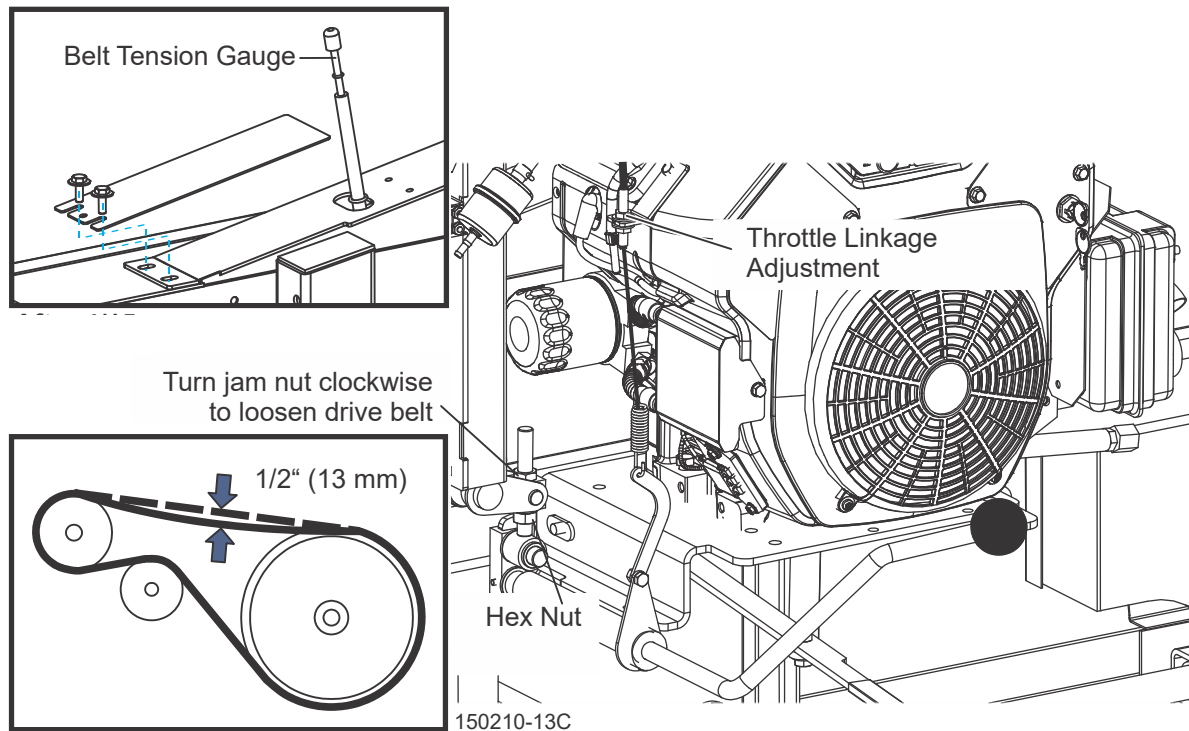


FIG. 6-3

2. **GAS OPTION ONLY:** After tensioning the drive belt, check the throttle linkage and adjust if necessary.

NOTE: With the clutch handle engaged, the throttle linkage should move the throttle lever to full speed. To adjust, loosen the throttle linkage adjustment screw and slide the throttle linkage down. Retighten the screw.

AR Periodically check the drive belt for wear. Replace any damaged or worn belts as needed.

ADJUST THE DRIVE BELT SUPPORT (ENGINES G19, G25, D19, AND D17)

The drive belt support is designed to extend belt life. The bracket should be adjusted to NOT touch the drive belt when the clutch handle is engaged (down position), AND to hold the drive belt away from the engine pulley when the clutch handle is disengaged (up position).

See Figure 6-4.

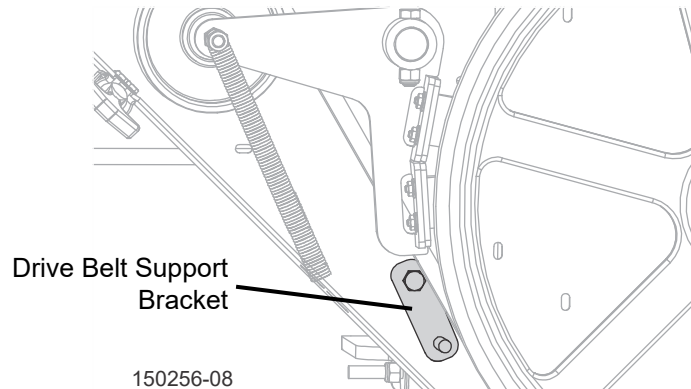


FIG. 6-4

AR Adjust the drive belt support as needed.

1. Loosen the adjustment bolts.
2. Position the bracket so that the prong is close to, but **does not touch**, the drive belt with the clutch handle engaged.
3. Retighten the adjustment bolts 25-27 pound feet (34-37 newton meters).



CAUTION! Do not over-tighten the drive belt. Damage to the engine may result.

6.9 Up/Down System



WARNING! Before performing service near moving parts such as blades, pulleys, motors, belts and chains, first turn the key switch to the OFF (#0) position and remove the key. Failure to follow this may result in serious injury or death.

AR

ADJUST THE UP/DOWN CHAIN TENSION AS NEEDED.

1. Measure chain tension with the head all the way to the top of the vertical mast.



WARNING! Always secure the saw head with a chain with at least 1900 lbs. working load capacity before adjusting the up/down chain. The cutting head may fall, causing severe injury or death.

2. Locate the chain adjusting bolt at the bottom of the mast.
3. Loosen the nut on the sprocket bolt and move the sprocket down until there is about 1" (2.5 cm) total deflection in the center of the chain with a 5 lb. (2.3 Kg) deflection force.

A chain tension adjustment bracket/bolt is provided on the sprocket assembly. Loosen the jam nut and tighten the adjustment bolt to pull the sprocket down and tension the chain. Retighten the jam nut and sprocket nut after tensioning the chain.

See Figure 6-5.

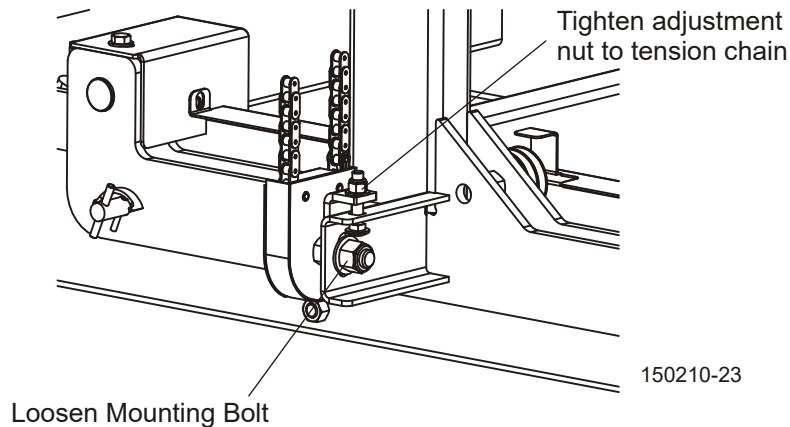


FIG. 6-5

8

LIFT ASSIST CABLES

Check the up/down lift assist cables daily or between shifts for cuts, cracked coating, fraying, defective cables, or other hazards. Replace as necessary.

AR

LIFT ASSIST

The up/down system is equipped with a gas spring assist mechanism to provide improved speed and performance. The saw head must be secured and tension released from the assist assembly before performing any maintenance to assist components.



WARNING! Always secure the saw head with a 5/16" (8mm) chain with at least 1900 lbs. (860Kg) working load capacity before servicing the up/down assist. The cutting head may fall, causing severe injury or death.



WARNING! Release pressure from the up/down assist prior to performing any service to the assembly. Failure to follow this may result in the assembly flying apart, causing injury or damage to the equipment.

1. Raise the saw head all the way to the top of the mast and secure with a chain.
2. Locate the up/down assist tension assembly.

See Figure 6-6.

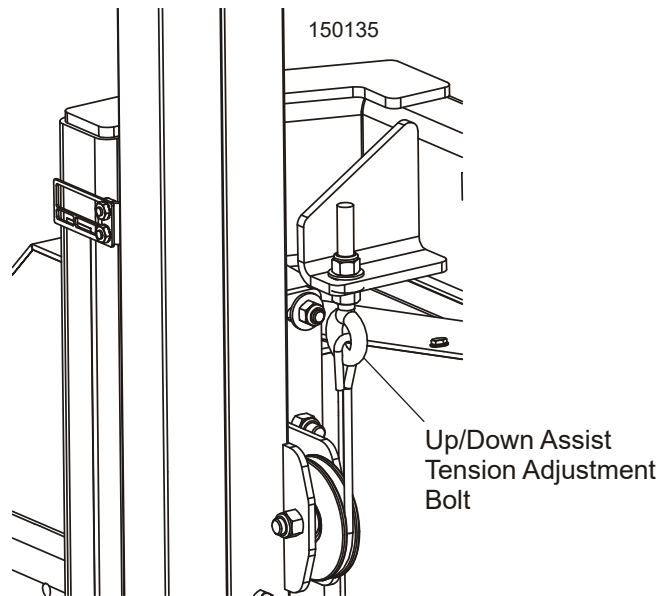


FIG. 6-6

3. Loosen (but do not remove) the tension adjustment bolt. Remove the cable from the top pulley and remove the four mounting bolts at the top of the assist assembly.

See Figure 6-7.

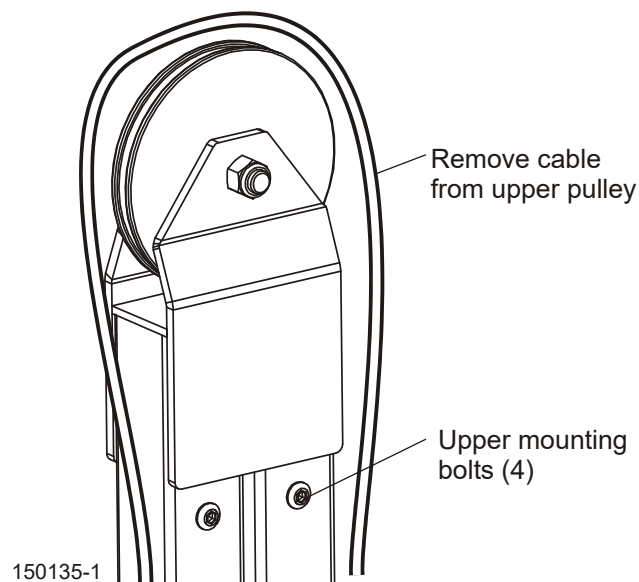


FIG. 6-7



WARNING! Do not disassemble the gas spring cylinders; the gas spring cylinders are pressurized. Failure to follow this may result in serious injury or death.

4. Lift the top assist housing to access the gas spring cylinders. The cylinders can be unthreaded from the bottom mounts without removing the bottom housing from the mast. Do not disassemble the gas spring cylinders.
5. When service is complete, reinstall the assist assembly in the reverse order of the disassembly procedure. Tighten the tension bolt all the way.

See Figure 6-8. Refer to the following diagram for up/down chain routing instructions.

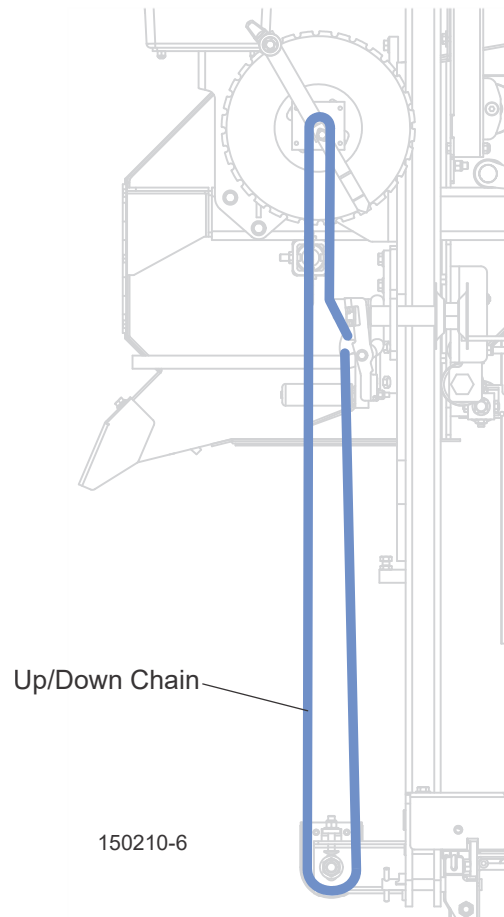


FIG. 6-8

200

See **Figure 6-9**. Lubricate the up/down crank handle bearings every 200 hours with a NLGI No. 2 grade lithium grease. Apply the grease to the fitting on the handle bracket tube.

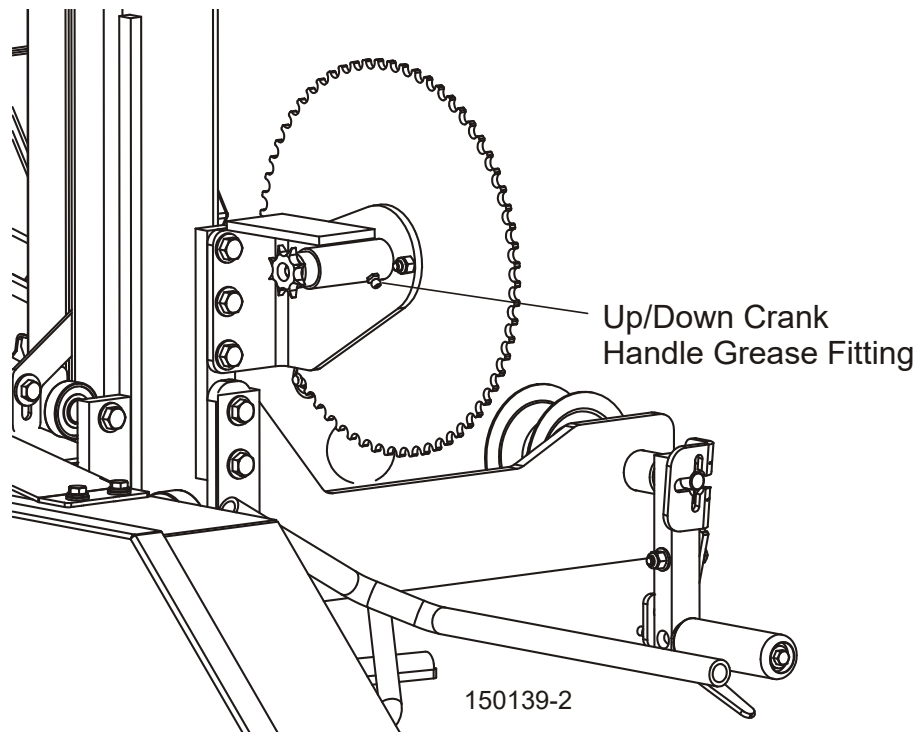





FIG. 6-9

6.10 Charging The Battery

-  **DANGER!** Batteries expel explosive gases. Keep sparks, flames, burning cigarettes, or other ignition sources away at all times. Always wear safety goggles and a face shield when working near batteries. Failure to follow this will cause serious injury.¹
-  **WARNING!** Battery posts, terminals and related accessories contain lead and lead compounds, chemicals known to the State of California to cause cancer and reproductive harm. Wash hands after handling.
-  **WARNING!** Charge the battery in a well ventilated area. Do not attempt to charge a frozen battery.

1. Battery Council International, copyright 1987

Use extreme care to avoid spilling or splashing electrolyte (which is dilute sulfuric acid) as it can destroy clothing and burn the skin.

EMERGENCY TREATMENT FOR CONTACT WITH BATTERY COMPONENTS (LEAD/SULFURIC ACID) per SDS (Safety Data Sheet):

EYE CONTACT	Sulfuric Acid and Lead: Flush eyes immediately with large amounts of water for at least 15 minutes while lifting lids. Seek immediate medical attention if eyes have been exposed directly to acid.
SKIN CONTACT	Sulfuric Acid: Flush affected area(s) with large amounts of water using deluge emergency shower, if available, shower for at least 15 minutes. Remove contaminated clothing, including shoes. If symptoms persist, seek medical attention. Wash contaminated clothing before reuse. Discard contaminated shoes. Lead: Wash immediately with soap and water.
INGESTION	Sulfuric Acid: Administer large amounts of water. Do NOT induce vomiting or aspiration into the lungs may occur and can cause permanent injury or death; consult physician.
INHALATION	Sulfuric Acid: Remove to fresh air immediately. If not breathing, give artificial respiration. If breathing is difficult, give oxygen. Consult a physician. Lead: Remove from exposure, gargle, wash nose and lips; consult physician.



CAUTION! Do not overcharge the battery. Overcharging may reduce the overall service life of the battery.

CAUTION! Be sure the battery is fully charged before transporting the saw-mill. If the battery is not fully charged, excessive vibration could reduce the overall service life of the battery.

1. Turn the key to the OFF (#0) position and remove the key.
2. Remove the battery box lid.
3. Clean the battery terminals if necessary.
4. Connect the positive charger/jumper cable directly to the positive battery terminal.
5. Connect the negative charger/jumper cable to a grounded metal surface.
6. Follow the instructions supplied with your specific battery charger.



IMPORTANT: Be careful not to overcharge the battery, especially when using a high-rate or “boost” charger (40 amps or higher). These are intended to quickly charge a good battery that is discharged. They are not intended for unattended or long-term charging.

7. After the battery is completely recharged, remove the negative charger/jumper cable from ground.
8. Remove the positive charger/jumper cable from the battery.

Replace the battery box lid.

6.11 Maintenance chart

MAINTENANCE LOG (Check <i>Engine And Option Manuals</i> for additional maintenance procedures)	MANUAL REFERENCE	MAINTENANCE INTERVAL
Clean sawdust from, battery box lid & track cover	See Section 6.3	8 hours
Clean and lubricate track	See Section 6.4	8 hours
Inspect lift assist cables	See Section 6.9	8 hours
Check blade guide roller wear	See Section 6.2	8 hours Every blade change
Remove excess sawdust from blade wheel housings and sawdust chute	See Section 6.3	8 hours Every blade change
Inspect fingers inside sawdust chute	See Section 6.3	8 hours Every blade change
Remove sawdust from upper track roller housings	See Section 6.4	25 hours
Clean & lube mast rails	See Section 6.5	50 hours
Grease pivot points and bearings/oil chains	See Section 6.6	50 hours
Rotate drive/idle blade wheel belts/check for wear	See Section 6.7	50 hours
Check belt tensions	See Section 6.8	50 hours
Check up/down chain tension	See Section 6.9	50 hours
Lubricate Up/Down Crank Handle Bearings	See Section 6.9	200 hours

SECTION 7 TROUBLESHOOTING GUIDE

7.1 Sawing Problems



WARNING! Before performing service near moving parts such as blades, pulleys, motors, belts and chains, first turn the key switch to the OFF (#0) position and remove the key. Failure to follow this may result in serious injury or death.

PROBLEM	CAUSE	SOLUTION
Blades Dull Quickly	Dirty logs	Clean or debark logs, especially on entry side of the cut
	When grinding teeth, heating too much and causing teeth to soften	Grind just enough metal to restore sharpness to the teeth. Use water/coolant while sharpening blade
	Poor sharpening techniques	Make sure the tip is being sharpened completely: Read the instructions with your blade sharpening equipment carefully
Blades Break Prematurely	Poor sharpening techniques	Read the instructions with your blade sharpening equipment carefully
	Rubber belts on blade wheels worn to a point that blade contacts metal pulley - look for shiny spots on edge of wheels	Change blade wheel belts (B-57)
	Tension too tight	Tension blade to recommended specifications
Blade Does Not Track Right on Drive Wheel	Cant adjustment is incorrect	Readjust
Blade Guides Do Not Spin While Cutting	Frozen bearings	Replace bearings
Drive Belts Wear Prematurely or Jump	Engine/motor and drive pulleys out of alignment	Align pulleys

PROBLEM	CAUSE	SOLUTION
Boards Thick Or Thin On Ends Or Middle Of Board.	Stress in log which causes log to not lay flat on the bed.	After log has been squared, take equal cuts off opposing sides. Take a board off the top. Turn the log 180 degrees. Take a board off. Repeat, keeping the heart in the middle of the cant, and making it your last cut.
	Set in teeth.	Resharpener and reset blade.
	Bed rails misaligned.	Realign sawmill.
Height Adjustment Jumps or Stutters When Moving Up or Down.	Up/down chain improperly adjusted.	Adjust up/down chain.
	Vertical wear pads are too tight.	Adjust pads.
Lumber Is Not Square	Vertical side supports not square to bed	Adjust side supports.
	Blade not parallel to bed rails	Adjust bed rails parallel to blade.
	Sawdust or bark between cant and bed rails	Remove particles
	Tooth set problems	Resharpener and reset blade
Sawdust Builds Up On Track	Excessive oiling	Do not oil track
	Track wipers worn	Adjust wipers to firmly contact track
	Track is sticky	Clean track with solvent and apply silicone spray
Wavy Cuts	Excessive feed	Slow feed rate
	Improperly sharpened blade (This will be the problem 99% of the time!)	Resharpener blade, following the sharpener's instructions carefully
	Blade guides improperly adjusted	Adjust blade guides.
	Sap buildup on blade	Use Water Lube.
	Tooth set problem	Resharpener and reset blade

SECTION 8 SAWMILL ALIGNMENT

Two alignment procedures are available to realign the sawmill if necessary. The Routine Alignment instructions should be performed as necessary to solve sawing problems not related to blade performance. The Complete Alignment procedure should be performed approximately every 1500 hours of operation (sooner if you regularly transport the sawmill over rough terrain).

8.1 Routine Alignment Procedure

Level the frame and adjust the saw head as described in Section 3.

Blade Installation

1. Remove the blade and check the blade wheel belts. Remove any sawdust buildup from the surface of the belts. Replace worn belts if they do not keep the blade from contacting the blade wheel.
2. Install a clean blade and apply the appropriate tension ([See Section 4.5](#)).
3. Adjust the idle-side cant control to track the blade ([See Section 4.6](#)).
4. Close the blade housing cover and make sure all persons are clear of the saw head.
5. Start the engine.
6. Engage the blade, rotating the blade until the blade positions itself on the wheels.



WARNING! Do not spin the blade wheels by hand. Spinning the blade wheels by hand may result in serious injury.

7. Disengage the blade. Turn the engine off.

Saw Head Tilt

As the blade enters a wide log or cant, the outside of the saw head will drop down slightly. To compensate for the drop, the saw head is adjusted 1/16" (1.5 mm) higher at the outside.

1. Move the saw carriage so the blade is positioned over a bed rail. Adjust the blade guide arm to 1/2" (15 mm) from full open.
2. Raise the saw head so the bottom of the blade measures 14 3/4" (375 mm) from the top surface of the bed rail near the inner blade guide assembly.
3. Measure from the blade to the bed rail near the outer blade guide assembly. This measurement should be 1/16" (1.5 mm) higher than the inner measurement or 14 13/16" (376.5 mm).

See Figure 8-1. Turn the saw head tilt adjustment nut clockwise to raise the outside of the saw-head. Turn the nut counterclockwise to lower the outside of the saw head. After the saw head is

adjusted parallel to the bed rail, check the space between the uppermost mast bearing and mast rail. Adjust as necessary so the space is 1/32" - 1/16" (0.8 - 1.6mm).

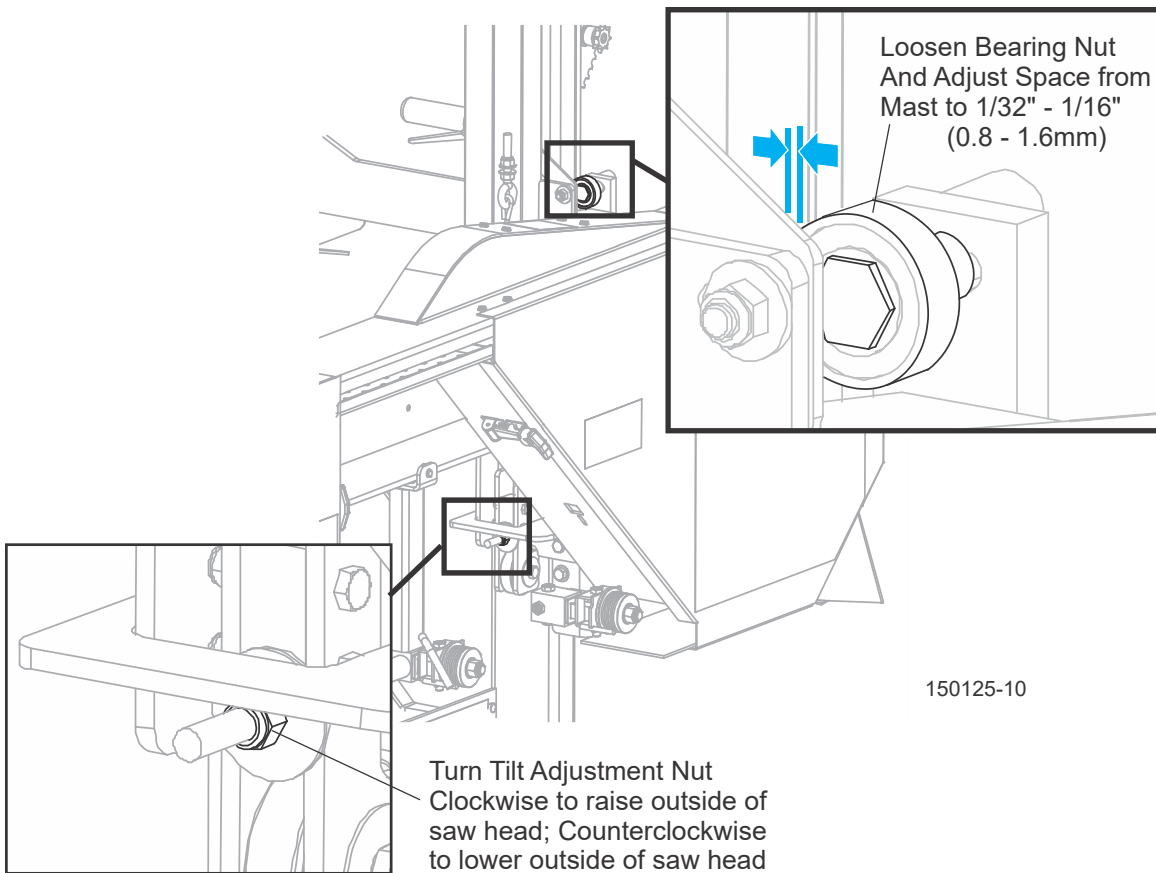


FIG. 8-1

Blade Guide Arm Alignment

The blade guide arm moves the outer blade guide in and out. If the arm becomes loose, the blade guide will not deflect the blade properly, causing inaccurate cuts. A loose blade guide arm can also cause blade vibration.

1. Adjust the blade guide arm out to 1/2" (13 mm) from fully open.

See Figure 8-2. Use the inside top and bottom screws to adjust the arm up until the slide pad touches the saw head brace tube. Tighten the jam nuts.

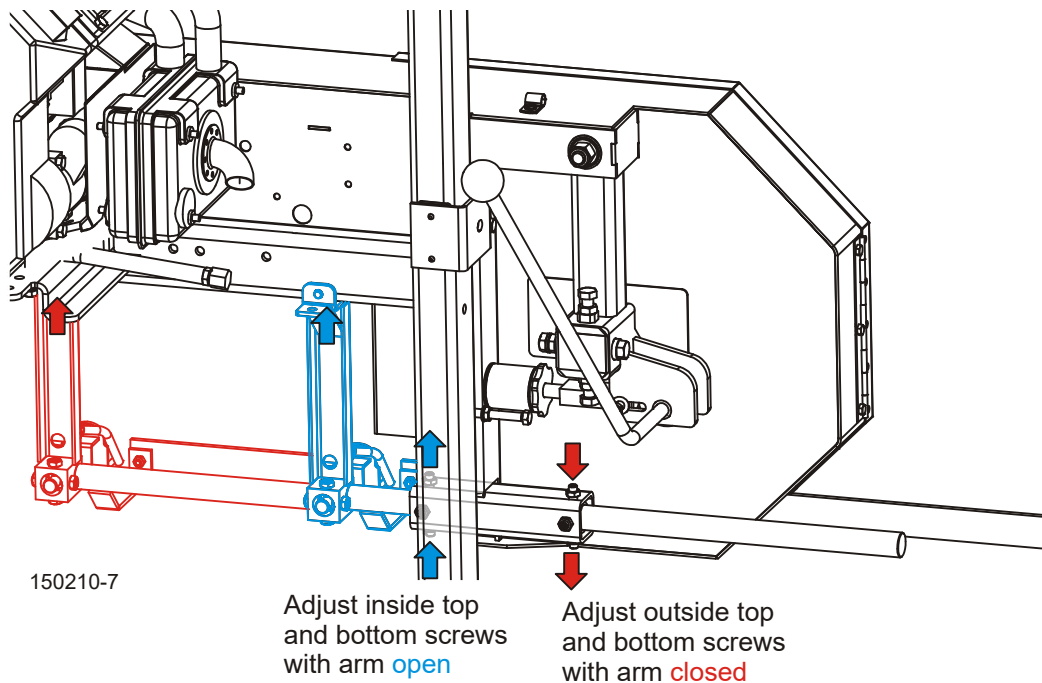


FIG. 8-2

2. Adjust the blade guide arm in all the way toward the other blade guide.
3. Use the outside top and bottom screws to adjust the arm up until the slide pad touches the saw head brace tube. Tighten the jam nuts.

NOTE: When adjusting the blade guide arm screws, be careful not to tighten the screws too much or put the arm in a bind. Operate the blade guide arm to ensure the arm moves easily in and out.

See Figure 8-3. With the blade guide arm still all the way in toward the other blade guide, tighten all the side screws until they touch the arm. Back the screws off 1/4 turn and tighten the jam nuts.

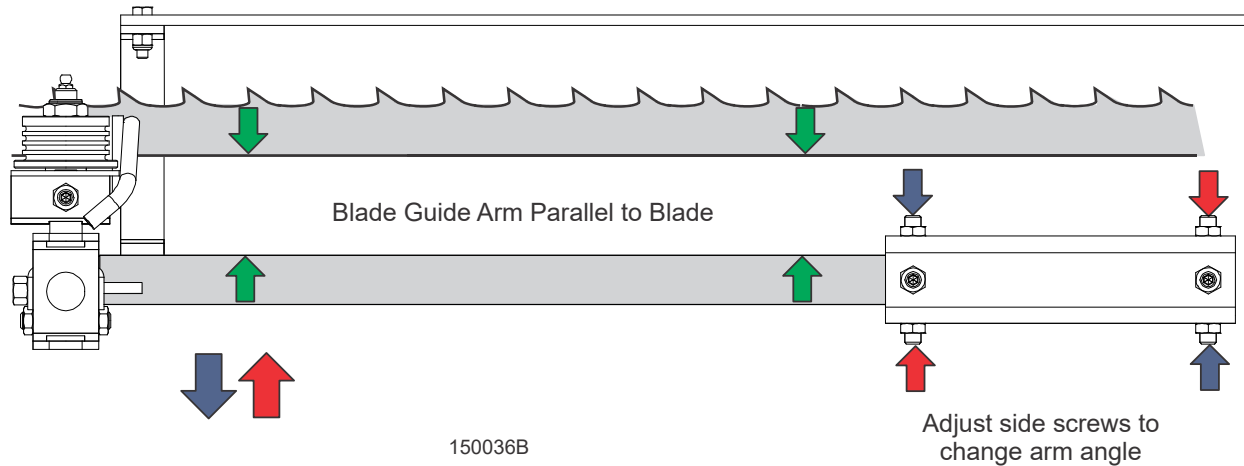


FIG. 8-3

4. Measure the distance between the blade guide arm and back edge of the blade. Adjust the appropriate side screws on the blade guide arm housing so the arm measures the same distance from the blade at both ends of the arm.
5. To move the blade guide end of the arm toward the front of the sawmill, loosen jam nuts on the front inside screw and the rear outside screw. Turn the screws counterclockwise one full turn and tighten the jam nuts. Loosen the jam nuts on the front outside screw and the rear inside screw. Turn the screws clockwise until they touch the arm, back off 1/4" turn, and tighten the jam nuts.
6. To move the blade guide end of the arm toward the rear of the sawmill, loosen jam nuts on the front outside screw and the rear inside screw. Turn the screws counterclockwise one full turn and tighten the jam nuts. Loosen the jam nuts on the front inside screw and the rear outside screw. Turn the screws clockwise until they touch the arm, back off 1/4" turn, and tighten the jam nuts.

Blade Guide Vertical Tilt Alignment

The blade guides should be adjusted properly in the vertical plane. If the blade guides are tilted vertically, the blade will try to travel in the tilted direction.

A Blade Guide Alignment Tool (BGAT) is provided to help you measure the vertical tilt of the blade.

1. Open the adjustable blade guide arm 1/2" (13 mm) from full open.
2. Clip the alignment tool on the blade. Position the tool close to the outer blade guide assembly. Be sure the tool does not rest on a tooth or burr, and is lying flat against the bottom of the blade.

See Figure 8-4.

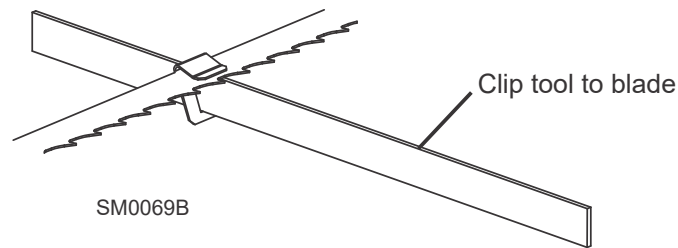


FIG. 8-4

3. Move the carriage so that the front end of the tool is positioned above the bed rail. Measure the distance from the bed rail to the bottom edge of the tool.
4. Move the carriage so that the back end of the tool is positioned above the bed rail. Measure the distance from the bed rail to the bottom edge of the tool.
5. If the measurement from the tool to the bed rail is not equal within $1/32"$ (.75 mm), adjust the vertical tilt of the outer blade guide roller.
6. Loosen one set screw at the side of the blade guide assembly.

See Figure 8-5. Loosen the jam nuts on the top and bottom vertical tilt adjustment screws. To tilt the roller up, loosen the bottom screw and tighten top screw. To tilt the roller down, loosen the top screw and tighten the bottom screw. Tighten the jam nuts and recheck the tilt of the blade.

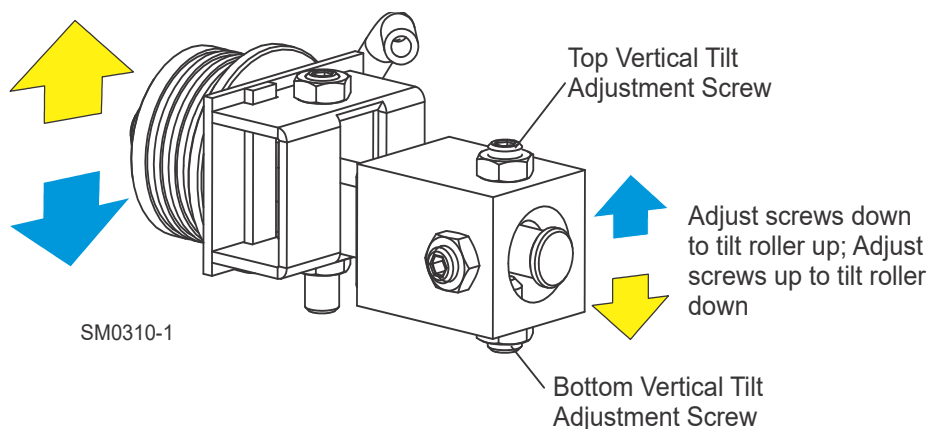


FIG. 8-5

7. Move the blade guide alignment tool close to the inner blade guide roller assembly and repeat the above steps. Adjust the vertical tilt of the inner blade guide if necessary.

Blade Guide Horizontal Tilt Adjustment

If the blade guides are tilted in the wrong direction horizontally, the back of the blade may contact the flange as the roller is spinning down, causing it to push the blade away from the guide roller.

8. Remove the blade guide alignment tool from the blade and adjust the blade guide arm halfway in.

- Remove the clip from the blade guide alignment tool. Place the tool against the face of the outer blade guide roller.

See Figure 8-6.

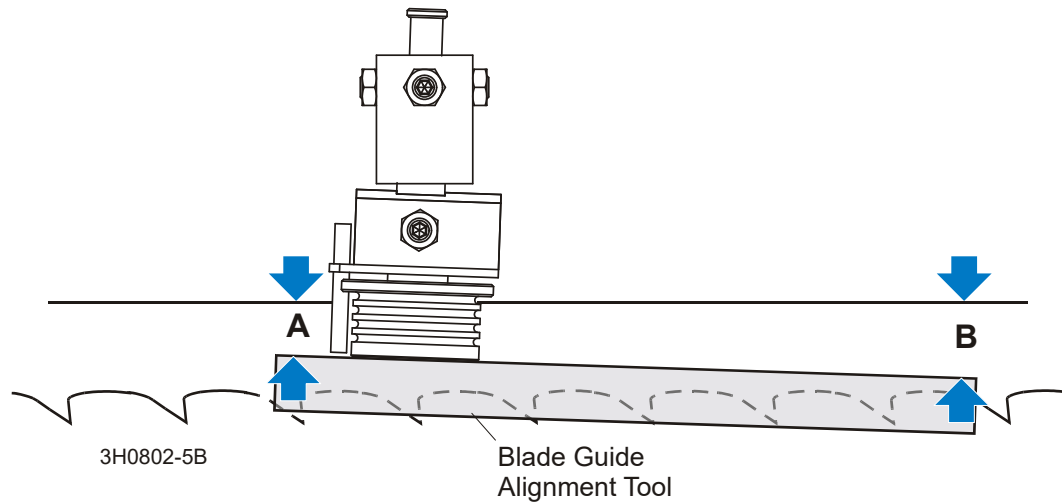


FIG. 8-6

- Measure between the back edge of the blade and the tool at the end closest to the inner blade guide ("B").
- Measure between the back edge of the blade and the other end of the tool ("A").

The roller should be tilted slightly to the left ('A' 1/8" [3 mm] less than 'B' ±1/8" [3 mm]).

See Figure 8-7. Loosen the jam nuts on the horizontal tilt adjustment screws. To tilt the roller left, loosen the right screw and tighten left screw. To tilt the roller right, loosen the left screw and tighten the right screw. Tighten the jam nuts and recheck the tilt of the blade.

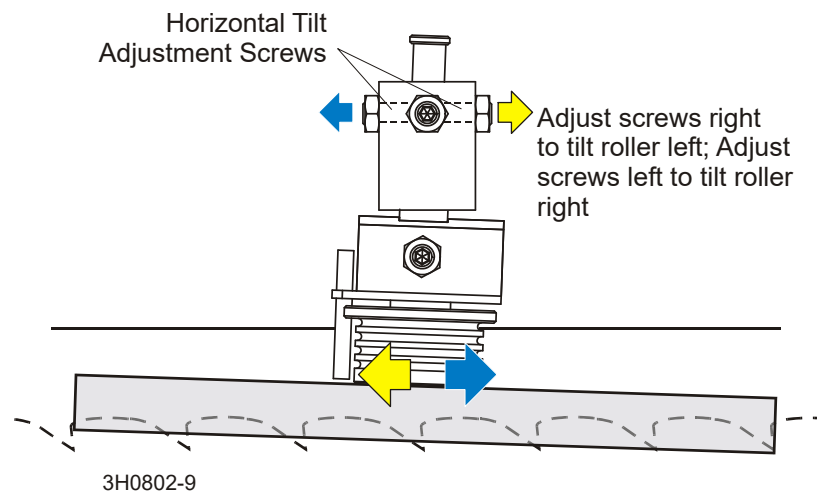


FIG. 8-7

- Repeat the above steps for the inner blade guide roller assembly.

NOTE: Once the blade guides have been adjusted, any cutting variances are most likely caused by the blade. [See Blade Handbook, Form #600.](#)

Blade Guide Flange Spacing

Each blade guide must be adjusted so the roller flange is the correct distance from the back edge of the blade. If the flange is too close to or too far from the blade, the sawmill will not cut accurately.

HINT: When adjusting blade guide spacing, loosen the top set screw and one side set screw only. This will ensure horizontal and vertical tilt adjustments are maintained when the adjustment screws are retightened.

1. Measure the distance between the flange on the outer blade guide roller to the back edge of the blade. This distance should measure 1/8" (3.0 mm). Adjust the roller back or forward if necessary.

See Figure 8-8. Loosen the top and one side screw shown. Tap the blade guide forward or backward until properly positioned. Retighten the screws and jam nuts.

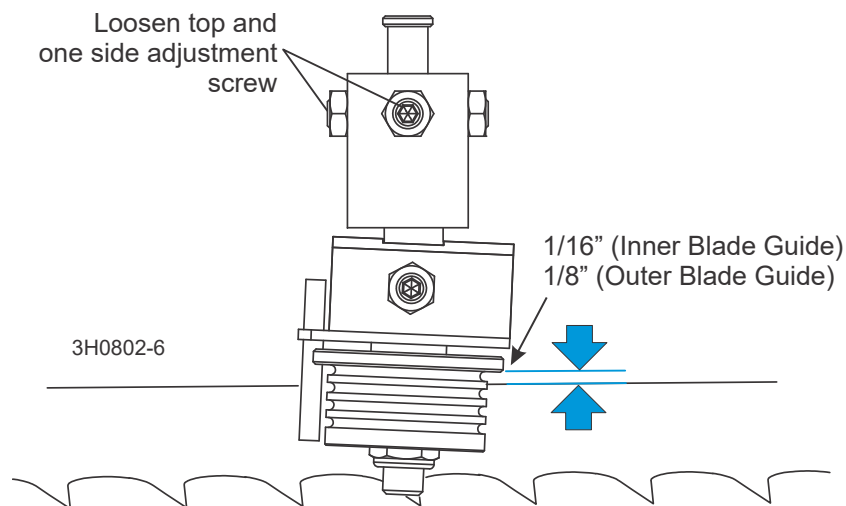


FIG. 8-8

2. Measure the distance between the flange on the inner blade guide roller to the back edge of the blade. This distance should measure 1/16" (1.5 mm). Adjust the roller back or forward if necessary.

Side Support Alignment

Logs and boards are clamped against the side supports when sawing. The sides supports must be square to the bed to ensure square lumber.

1. Place a flat board across the bed rails. Swing a side support up so that it is vertical.
2. Pull back at the top of the support to eliminate slack as if a log were being clamped against it.

3. Place a square against the face of the side support. The side support should be square or slightly tilted forward $1/32"$ (0.8 mm). Adjust the vertical tilt of the side support if necessary.

See Figure 8-9. Loosen the top adjustment bolt, adjust the side support, and retighten the bolt. Turn the adjustment bolt counterclockwise to tilt the top of the side support forward.

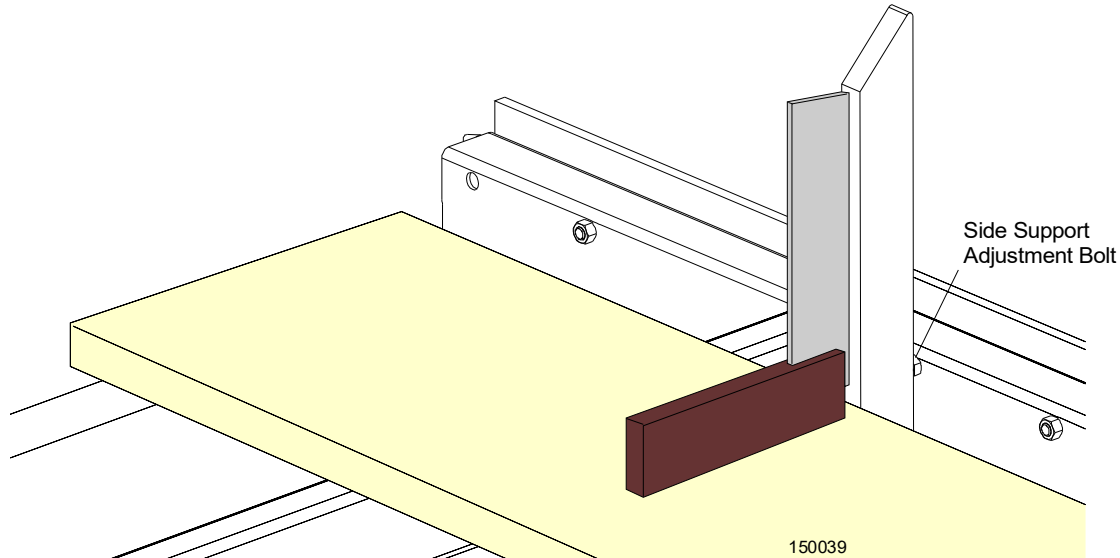


FIG. 8-9

4. Repeat the vertical check for the remaining side supports and adjust as necessary.

Blade Height Scale Adjustment

After the entire sawmill has been aligned and all adjustments made, check that the blade height scale indicates the true distance from the blade to the bed rails.

1. Move the saw carriage so the blade is positioned directly above one of the bed rails. Measure from the bottom edge on a down-set tooth of the blade to the top of the bed rail, near the inner blade guide assembly.
2. View the blade height scale with eyes level with the indicator. The scale should indicate the actual distance from the blade to the bed rail. Adjust the indicator if necessary.

See Figure 8-10. Loosen the indicator bracket mounting nut. Adjust the bracket up or down until the indicator is aligned with the correct mark on the scale (+0 $-1/32$ [0.8 mm]). Retighten the indicator mounting nut.

For example, if the measurement from the down-set tooth of the blade to the bed rail was $14 \frac{3}{4}"$ (375 mm), make sure the indicator reads $14 \frac{3}{4}"$ (375 mm) on the scale.

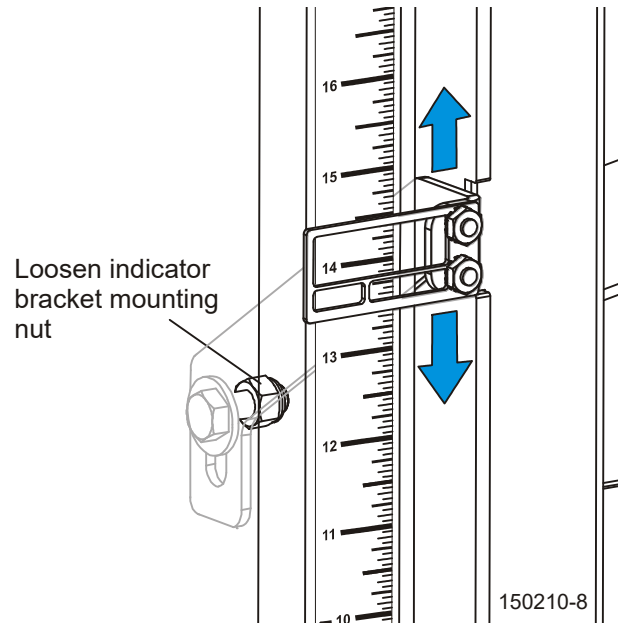


FIG. 8-10

8.2 Complete Alignment Procedure

Frame Setup

Before performing the following alignment procedures, setup the mill on firm, level ground.

Level the frame and adjust the saw head as described in [Section 4.1](#) Sawmill Setup.

Blade Installation

1. Remove the blade and replace the blade wheel belts. New blade wheel belts are required to perform the complete alignment procedure.
2. Blow sawdust off of the blade guide assemblies. Remove sawdust from the blade housings.
3. Remove the blade guide assemblies.

NOTE: To remove the blade guide assemblies and maintain the tilt adjustments, only loosen one side screw and the top screw. Leaving the other side screw and bottom screw in position will insure you will return the rollers to their original tilt adjustment.

4. Adjust the outer blade guide arm in or out until the outer blade guide is approximately 24" from the inner blade guide.
5. Install a new blade and apply the appropriate tension ([See Section 4.5](#)).
6. Close the blade housing covers and make sure all persons are clear of the saw head.

7. Start the engine.
8. Engage the blade, rotating the blade until the blade positions itself on the wheels.



WARNING! Do not spin the blade wheels by hand. Spinning the blade wheels by hand may result in serious injury.

9. Disengage the blade. Turn the engine off.

Saw Head Tilt

As the blade enters a wide log or cant, the outside of the saw head will drop down slightly. To compensate for the drop, the saw head is adjusted 1/16" (1.5 mm) higher at the outside.

1. Move the saw carriage so the blade is positioned over a bed rail. Adjust the blade guide arm to 1/2" (15 mm) from full open.
2. Raise the saw head so the bottom of the blade measures 14 3/4" (375 mm) from the top surface of the bed rail near the inner blade guide assembly.
3. Measure from the blade to the bed rail near the outer blade guide assembly. This measurement should be 1/16" (1.5 mm) higher than the inner measurement or 14 13/16" (376.5 mm).

See Figure 8-11. Turn the saw head tilt adjustment nut clockwise to raise the outside of the saw head. Turn the nut counterclockwise to lower the outside of the saw head. After the saw head is

adjusted parallel to the bed rail, check the space between the uppermost mast bearing and mast rail. Adjust as necessary so the space is 1/32" - 1/16" (0.8 - 1.6mm).

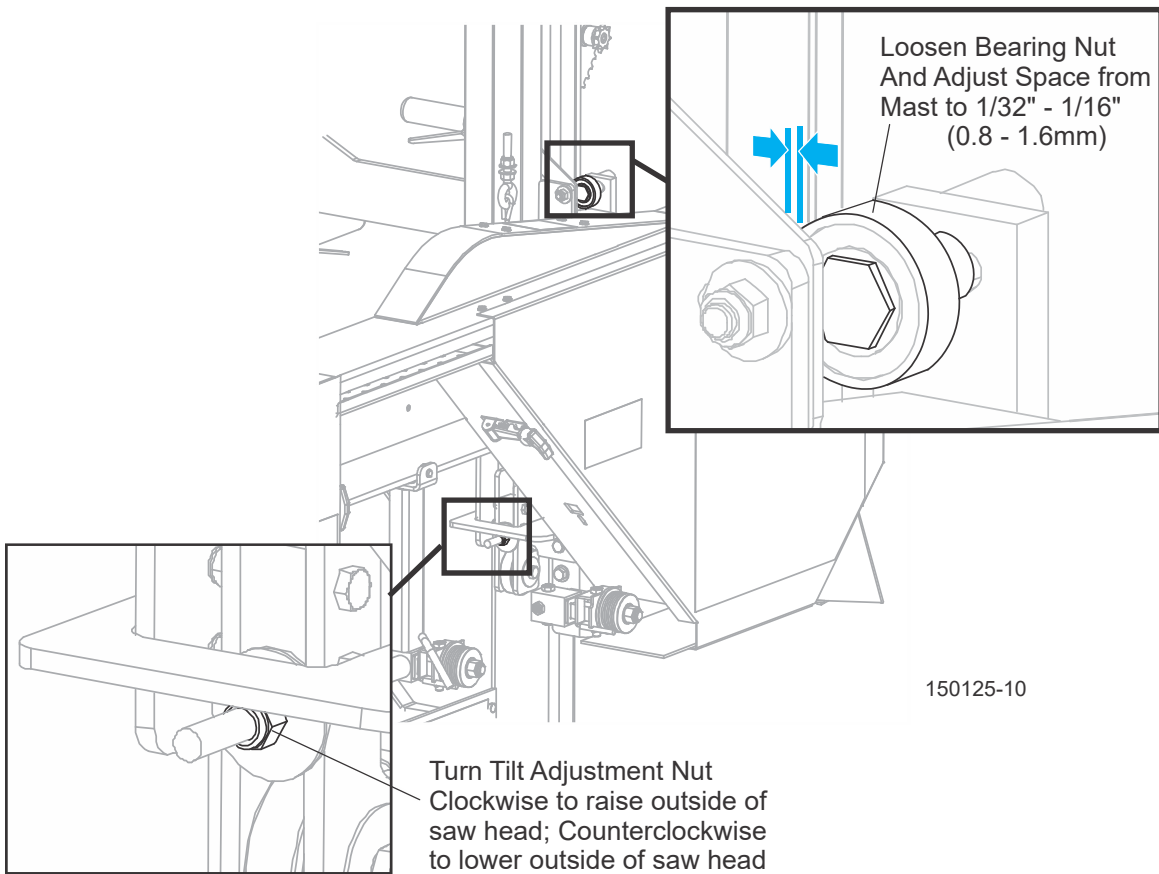


FIG. 8-11

Blade Wheel Alignment

The blade wheels should be adjusted so they are level in the vertical and horizontal planes. If the blade wheels are tilted up or down, the blade will want to travel in the tilted direction. If the blade wheels are tilted horizontally, the blade will not track properly on the wheels.

1. Use the blade guide alignment tool to check the vertical alignment of each blade wheel. Attach the tool to the blade near the inner blade guide mount. Be sure the tool does not rest on a tooth or burr, and is lying flat against the bottom of the blade.

See Figure 8-12.

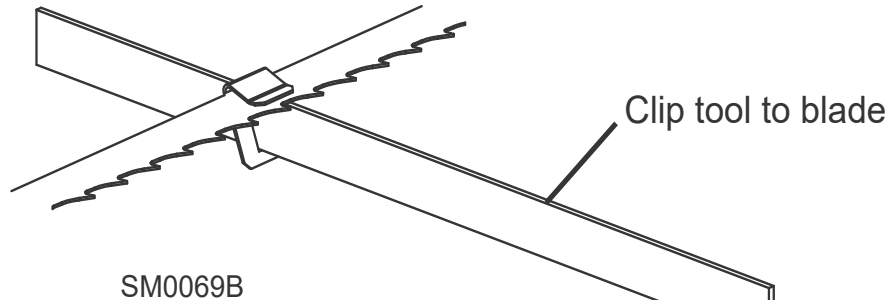


FIG. 8-12

2. Move the saw carriage so the front end of the tool is positioned over the first bed rail. Measure from the bottom of the tool to the top surface of the bed rail.
3. Move the saw carriage so the rear of the tool is positioned over the bed rail. Again, measure from the bottom of the tool to the bed rail.
4. If the two measurements differ by more than 1/16" (1.5 mm), adjust the vertical tilt of the drive-side blade wheel.

See Figure 8-13. Use the vertical adjustment screws to adjust the drive-side blade wheel.

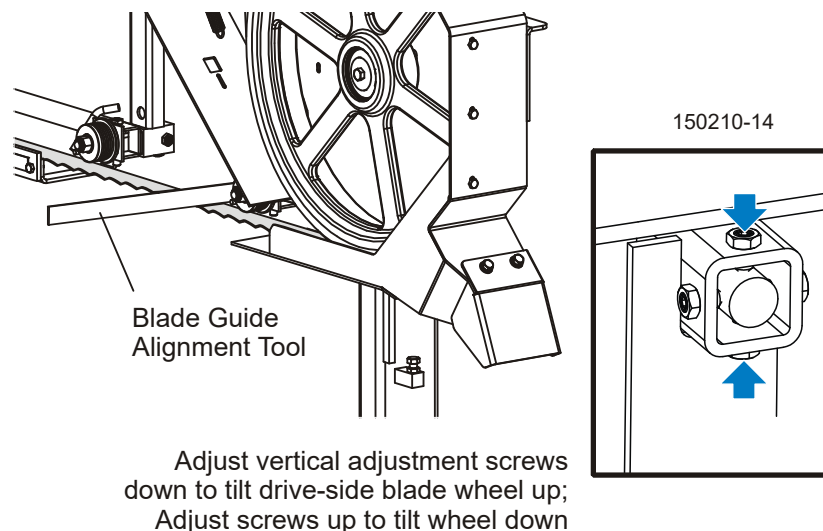


FIG. 8-13

To tilt the wheel down, loosen the top adjustment screw one quarter turn. Loosen the jam nut on the bottom adjustment screw and tighten the screw. Tighten the top and bottom jam nuts.

To tilt the wheel up, loosen the bottom adjustment screw one quarter turn. Loosen the jam nut on the top adjustment screw and tighten the screw. Tighten the top and bottom jam nuts.

5. Recheck the vertical tilt of the drive-side blade wheel with the blade guide alignment tool. Readjust the blade wheel as necessary until the front and rear of the tool are the same distance from the bed rail (within 1/16" [1.5 mm]).
6. Remove the tool from the blade and reattach it near the outer blade guide assembly.
7. Measure from the tool to the bed rail at both ends of the tool. If the measurements at the front and rear ends of the tool differ by more than 1/16" (1.5 mm), adjust the vertical tilt of the idle-side blade wheel.

See Figure 8-14. Use the vertical adjustment screws to adjust the idle-side blade wheel.

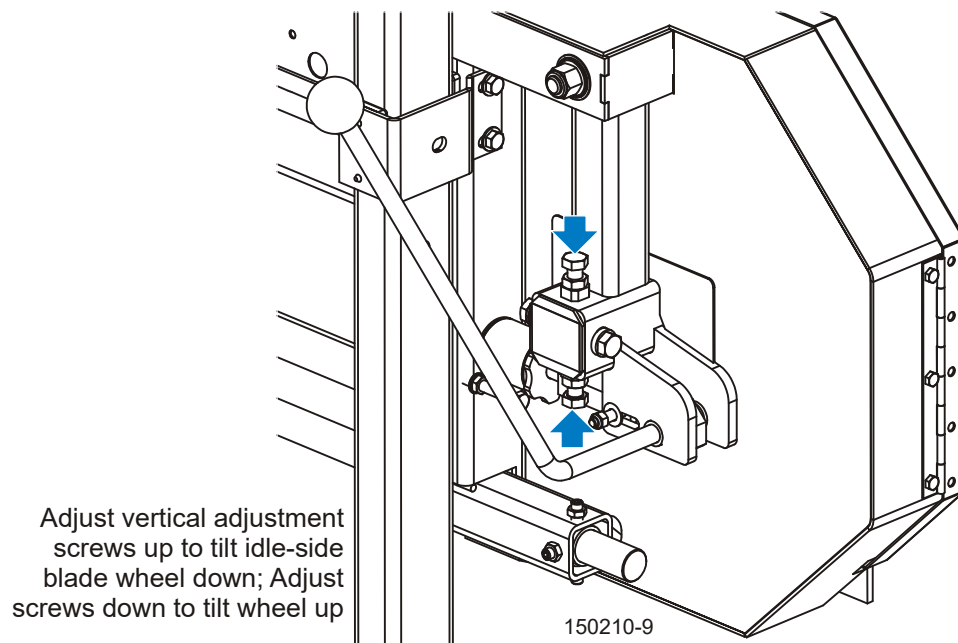


FIG. 8-14

To tilt the wheel up, loosen the bottom adjustment screw one quarter turn. Loosen the jam nut on the top adjustment screw and tighten the screw. Tighten the top and bottom jam nuts.

To tilt the wheel down, loosen the top adjustment screw one quarter turn. Loosen the jam nut on the bottom adjustment screw and tighten the screw. Tighten the top and bottom jam nuts.

8. Recheck the vertical tilt of the idle-side blade wheel with the blade guide alignment tool. Readjust the blade wheel as necessary until the front and rear of the tool are the same distance from the bed rail (within 1/16" [1.5 mm]).
9. Check the position of the blade on the idle-side blade wheel.

See **Figure 8-15**. The horizontal tilt of the blade wheel should be adjusted so that the gullet of an 1-1/4" blade is 1/8" (3 mm) out from the front edge of the wheel ($\pm 1/32$ [0.75 mm]).

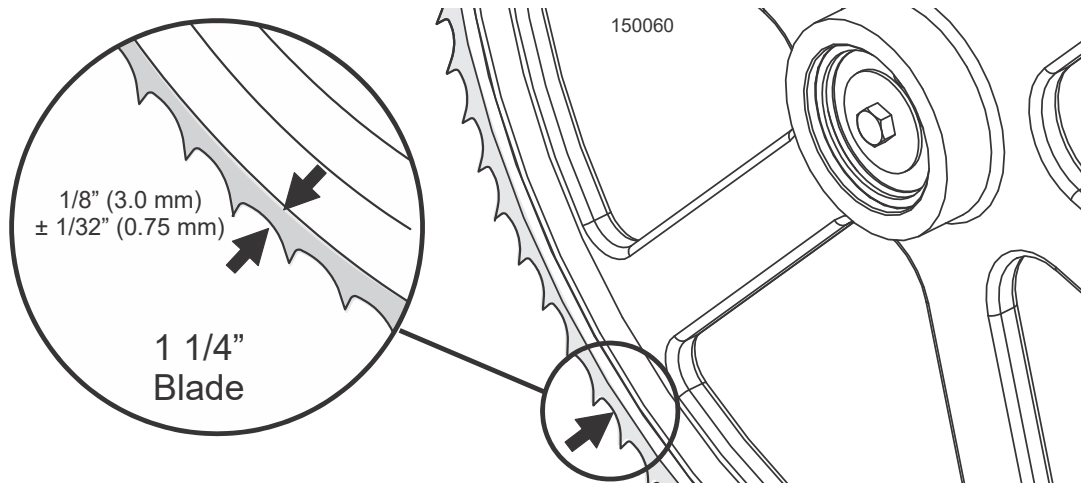


FIG. 8-15

See **Figure 8-16**. Use the cant control adjustment to adjust the idle-side blade wheel. If the blade is too far forward on the wheel, turn the cant control counterclockwise. If it is too far back on the wheel, turn the cant control clockwise.

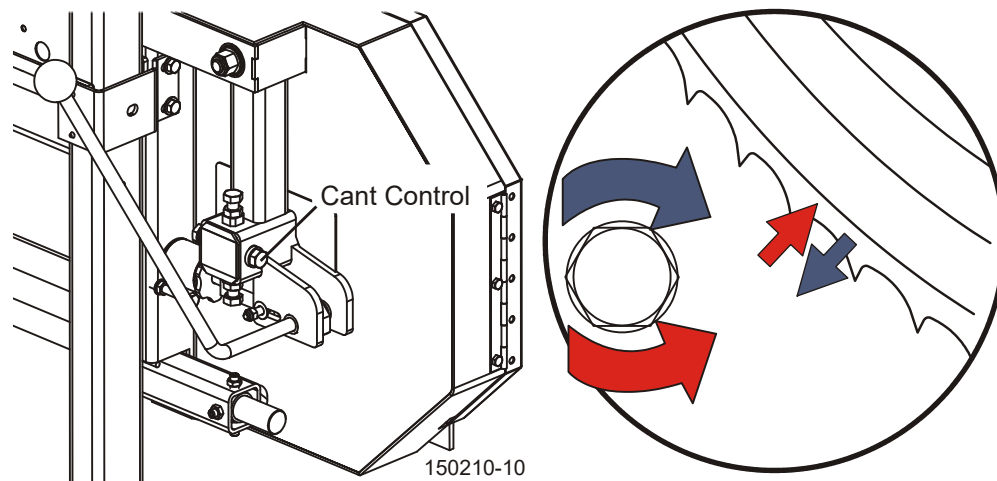


FIG. 8-16

10. Check the position of the blade on the drive-side blade wheel. The blade should be positioned on the wheel as described for the idle-side blade wheel. Adjust the drive-side blade wheel if necessary.

See Figure 8-17. Use the horizontal adjustment screws to adjust the drive-side blade wheel.

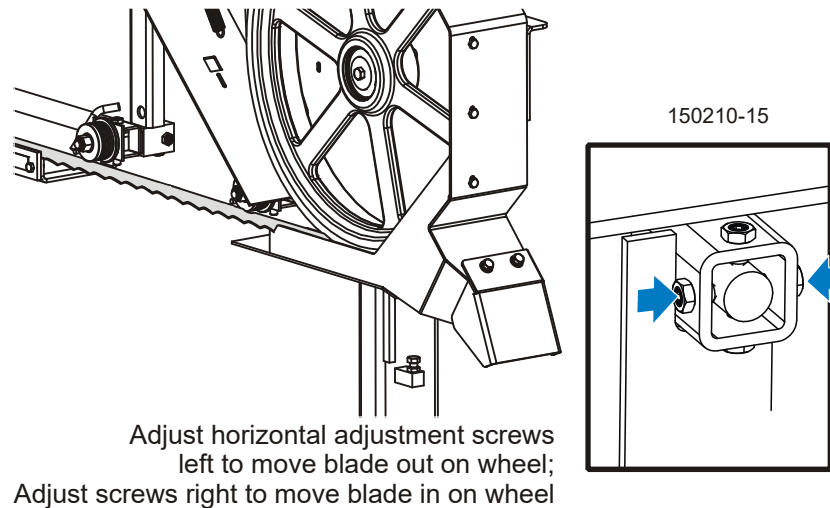


FIG. 8-17

To move the blade back on the wheel, loosen the right adjustment screw one quarter turn. Loosen the jam nut on the left adjustment screw and tighten the screw. Tighten the left and right jam nuts.

To move the blade out on the wheel, loosen the left adjustment screw one quarter turn. Loosen the jam nut on the right adjustment screw and tighten the screw. Tighten the left and right jam nuts.

Blade Guide Installation

Each Wood-Mizer sawmill has two blade guide assemblies that help the blade maintain a straight cut. The two blade guide assemblies are positioned on the saw head to guide the blade on each side of the material being cut.

One blade guide assembly is mounted in a stationary position on the drive side of the saw head. This assembly is referred to as the "inner" blade guide assembly.

The other blade guide assembly is mounted on the idle side of the saw head. It is referred to as the "outer" assembly and is adjustable for various widths of materials to be processed.

NOTE: Before installing the blade guide assemblies, remove the blade guide adjusting screws and apply a lubricating oil such as 10W30 or Dexron III to each screw. This will prevent the screws and threaded holes from corroding and make screw adjustments easier.

1. Install the outer blade guide assembly (with waterlube tube) to the mounting block on the blade guide arm. Position the assembly so the roller flange is 1/8" (3.0 mm) from the blade.
2. Install the inner blade guide assembly to the mounting block on the saw head. Position the assembly so the roller flange is 1/16" (1.5 mm) from the blade.

See Figure 8-18. Tighten the two previously-loosened tilt adjustment screws to secure the blade guide assembly.

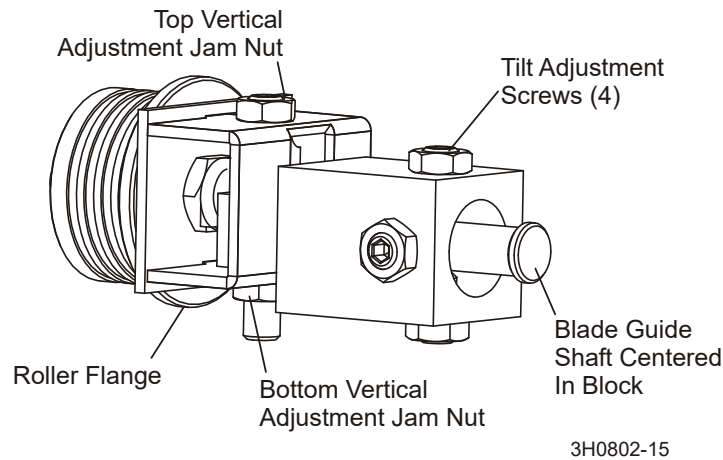


FIG. 8-18

Loosen the top vertical adjustment jam nut and tighten the bottom vertical adjustment jam nut to adjust the blade guide roller up so it does not touch the blade.

Blade Guide Arm Alignment

The blade guide arm moves the outer blade guide in and out. If the arm becomes loose, the blade guide will not deflect the blade properly, causing inaccurate cuts. A loose blade guide arm can also cause blade vibration.

See Figure 8-19. Use the inside top and bottom screws to adjust the arm up until the slide pad touches the saw head brace tube. Tighten the jam nuts.

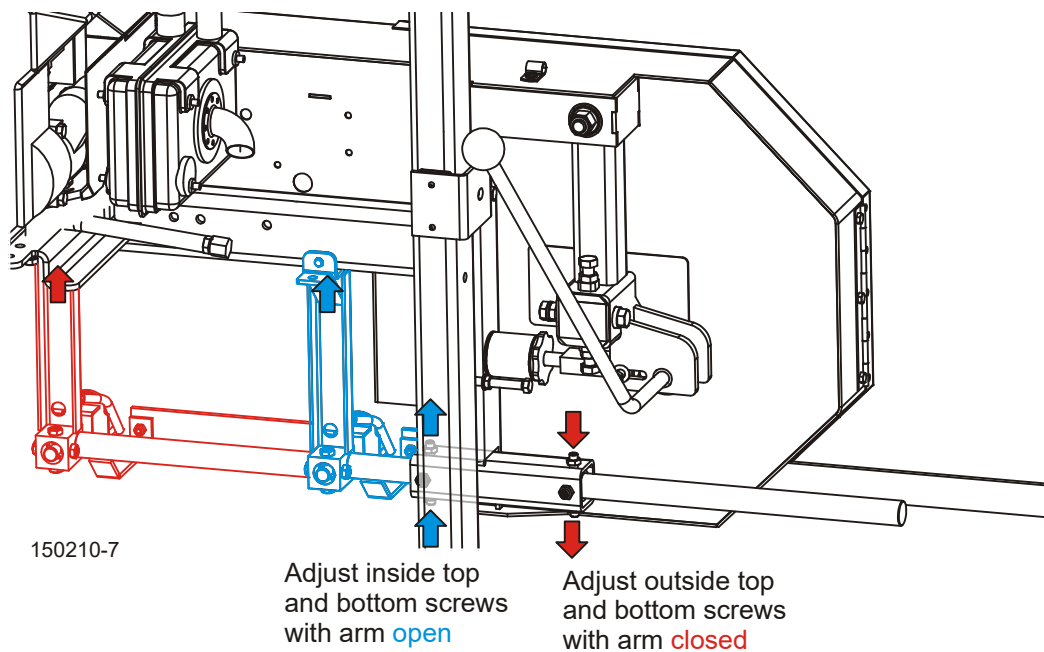


FIG. 8-19

1. Adjust the blade guide arm out to 1/2" (13 mm) from fully open.
2. Adjust the blade guide arm in all the way toward the other blade guide.
3. Use the outside top and bottom screws to adjust the arm up until the slide pad touches the saw head brace tube. Tighten the jam nuts.

NOTE: When adjusting the blade guide arm screws, be careful not to tighten the screws too much or put the arm in a bind. Operate the blade guide arm to ensure the arm moves easily in and out.

See **Figure 8-20**. With the blade guide arm still all the way in toward the other blade guide, tighten all the side screws until they touch the arm. Back the screws off 1/4 turn and tighten the jam nuts.

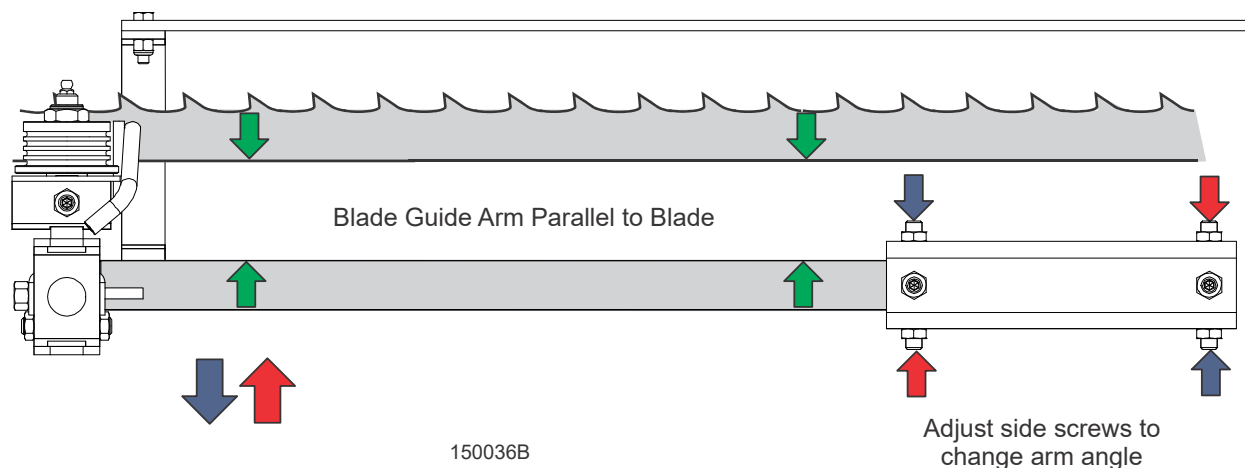


FIG. 8-20

4. Measure the distance between the blade guide arm and back edge of the blade. Adjust the appropriate side screws on the blade guide arm housing so the arm measures the same distance from the blade at both ends of the arm.
5. To move the blade guide end of the arm toward the front of the sawmill, loosen jam nuts on the front inside screw and the rear outside screw. Turn the screws counterclockwise one full turn and tighten the jam nuts. Loosen the jam nuts on the front outside screw and the rear inside screw. Turn the screws clockwise until they touch the arm, back off 1/4" turn, and tighten the jam nuts.
6. To move the blade guide end of the arm toward the rear of the sawmill, loosen jam nuts on the front outside screw and the rear inside screw. Turn the screws counterclockwise one full turn and tighten the jam nuts. Loosen the jam nuts on the front inside screw and the rear outside screw. Turn the screws clockwise until they touch the arm, back off 1/4" turn, and tighten the jam nuts.

Blade Guide Deflection

Perform the following steps to achieve proper blade deflection with the blade guides.

1. Raise the saw head until the blade is 15" (375 mm) above a bed rail. Measure the actual distance with a tape from the top of the rail to the bottom of the blade.
2. Make sure the two vertical adjustment set screws are threaded into the blade guide shaft until they touch each other.

See Figure 8-21.

Loosen the bottom jam nut and tighten the top jam nut until the blade guide deflects the blade down until the bottom of the blade measures 14 3/4" (370 mm) from the bed rail.

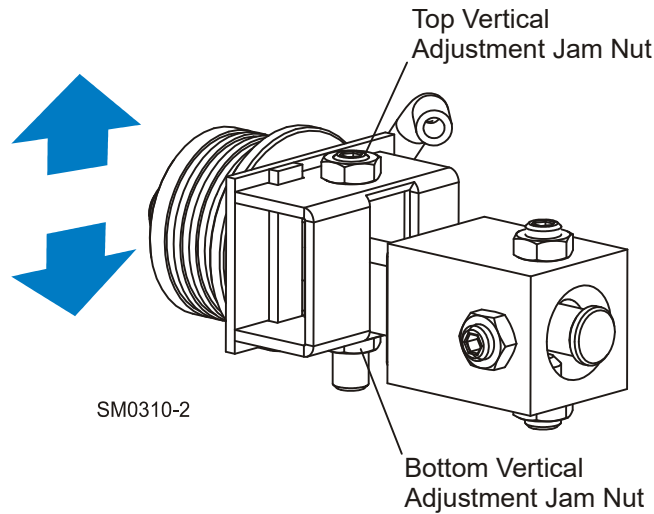


FIG. 8-21

3. Repeat for the other blade guide.

NOTE: Be sure that the blade guide deflector rod clears the blade on both guide assemblies. The rod on the outer guide assembly should be checked with the arm all the way in and all the way out.

Blade Guide Vertical Tilt Alignment

The blade guides should be adjusted properly in the vertical plane. If the blade guides are tilted vertically, the blade will try to travel in the tilted direction.

A Blade Guide Alignment Tool (BGAT) is provided to help you measure the vertical tilt of the blade.

1. Open the adjustable blade guide arm 1/2" (13 mm) from full open.
2. Clamp the alignment tool on the blade. Position the tool close to the outer blade guide roller. Be sure the tool does not rest on a tooth or burr, and is lying flat on the blade.

See Figure 8-22.

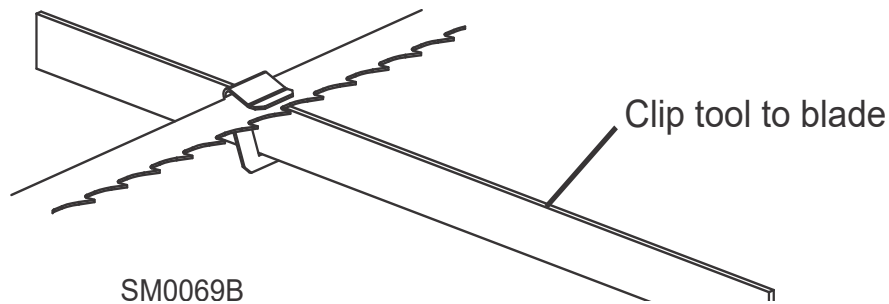


FIG. 8-22

3. Move the carriage so that the front end of the tool is positioned above the bed rail. Measure the distance from the bed rail to the bottom edge of the tool.
4. Move the carriage so that the back end of the tool is positioned above the bed rail. Measure the distance from the bed rail to the bottom edge of the tool.
5. If the measurement from the tool to the bed rail is not equal within $1/32"$ (.75 mm), adjust the vertical tilt of the outer blade guide roller.
6. Loosen one set screw at the side of the blade guide assembly.

See Figure 8-23. Loosen the jam nuts on the top and bottom vertical tilt adjustment screws. To tilt the roller up, loosen the bottom screw and tighten top screw. To tilt the roller down, loosen the top screw and tighten the bottom screw. Tighten the jam nuts and recheck the tilt of the blade.

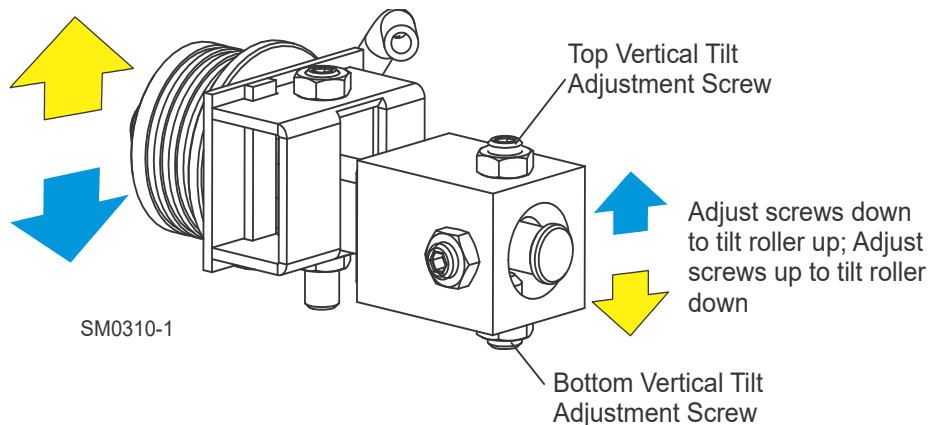


FIG. 8-23

7. Move the blade guide alignment tool close to the inner blade guide roller assembly and repeat the above steps. Adjust the vertical tilt of the inner blade guide if necessary.
8. After adjusting the vertical tilt of the blade guides, recheck the blade deflection and adjust if necessary.

Blade Guide Horizontal Tilt Adjustment

If the blade guides are tilted in the wrong direction horizontally, the back of the blade may contact the flange as the roller is spinning down, causing it to push the blade away from the guide roller.

1. Remove the blade guide alignment tool from the blade and adjust the blade guide arm halfway in.
2. Remove the clip from the blade guide alignment tool. Place the tool against the face of the outer blade guide roller.

See Figure 8-24.

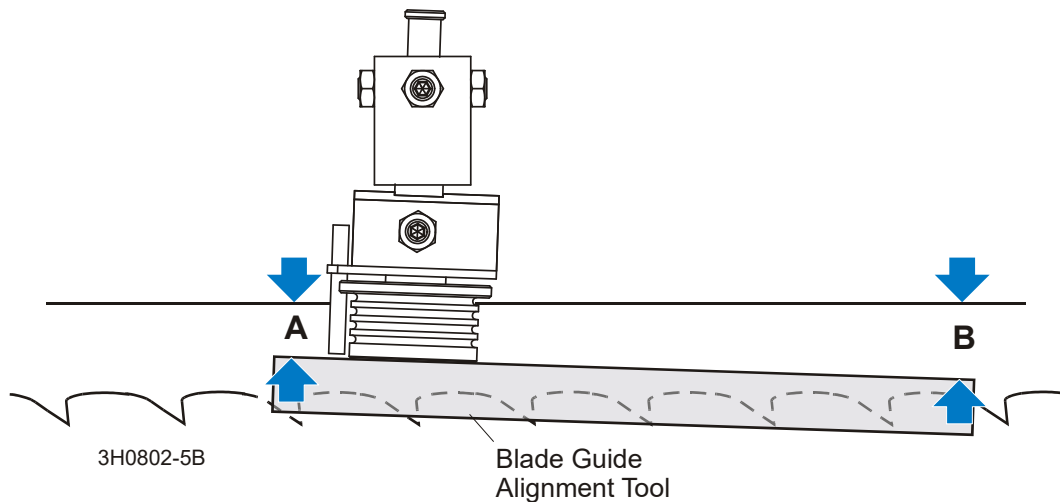


FIG. 8-24

3. Measure between the back edge of the blade and the tool at the end closest to the inner blade guide ("B").
4. Measure between the back edge of the blade and the other end of the tool ("A").

The roller should be tilted slightly to the left ('A' 1/8" [3 mm] less than 'B' ±1/8" [3 mm]).

See **Figure 8-25**. Loosen the jam nuts on the horizontal tilt adjustment screws. To tilt the roller left, loosen the right screw and tighten left screw. To tilt the roller right, loosen the left screw and tighten the right screw. Tighten the jam nuts and recheck the tilt of the blade.

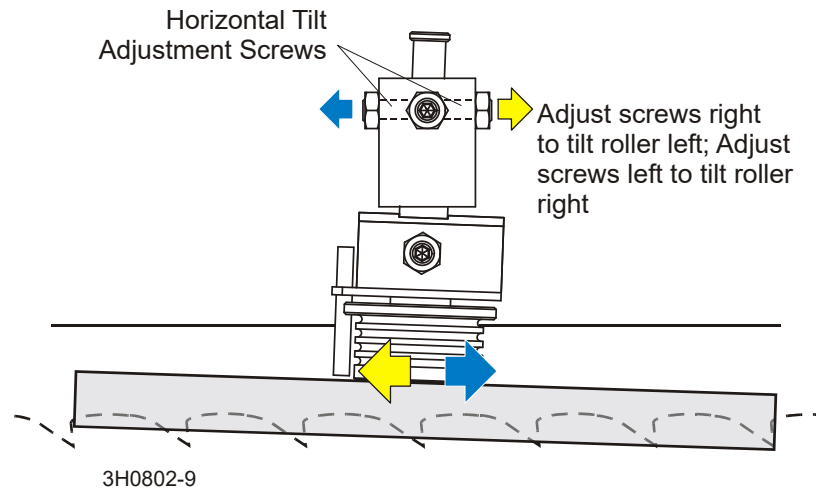


FIG. 8-25

- Repeat the above steps for the inner blade guide roller assembly.

NOTE: Once the blade guides have been adjusted, any cutting variances are most likely caused by the blade. [See Blade Handbook, Form #600.](#)

Blade Guide Flange Spacing

Each blade guide must be adjusted so the roller flange is the correct distance from the back edge of the blade. If the flange is too close to or too far from the blade, the sawmill will not cut accurately.

HINT: When adjusting blade guide spacing, loosen the top set screw and one side set screw only. This will ensure horizontal and vertical tilt adjustments are maintained when the adjustment screws are retightened.

1. Measure the distance between the flange on the outer blade guide roller to the back edge of the blade. This distance should measure 1/8" (3.0 mm). Adjust the roller back or forward if necessary.

See Figure 8-26. Loosen the top and one side screw shown. Tap the blade guide forward or backward until properly positioned. Retighten the screws and jam nuts.

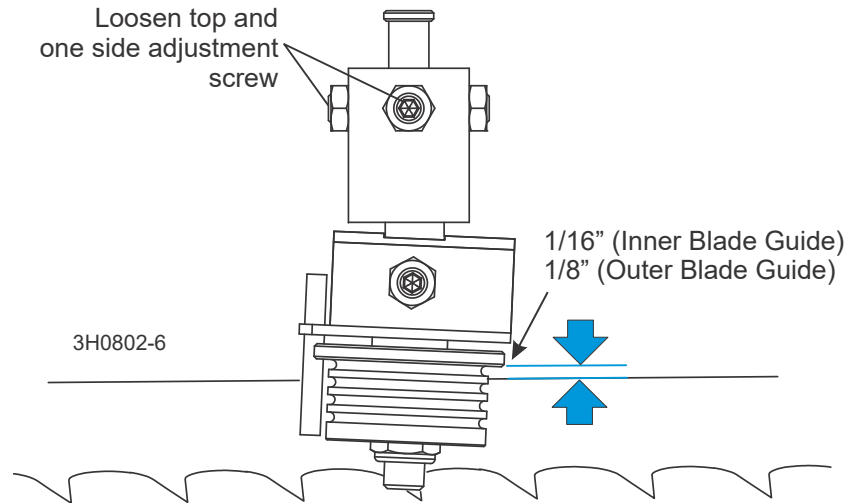


FIG. 8-26

2. Measure the distance between the flange on the inner blade guide roller to the back edge of the blade. This distance should measure 1/16" (1.5 mm). Adjust the roller back or forward if necessary.

Side Support Alignment

Logs and boards are clamped against the side supports when sawing. The sides supports must be square to the bed to ensure square lumber.

1. Place a flat board across the bed rails. Swing a side support up so that it is vertical.
2. Pull back at the top of the support to eliminate slack as if a log were being clamped against it.
3. Place a square against the face of the side support. The side support should be square or slightly tilted forward 1/32" (0.8 mm). Adjust the vertical tilt of the side support if necessary.

See **Figure 8-27**. Loosen the top adjustment bolt, adjust the side support, and retighten the bolt. Turn the adjustment bolt counterclockwise to tilt the top of the side support forward.

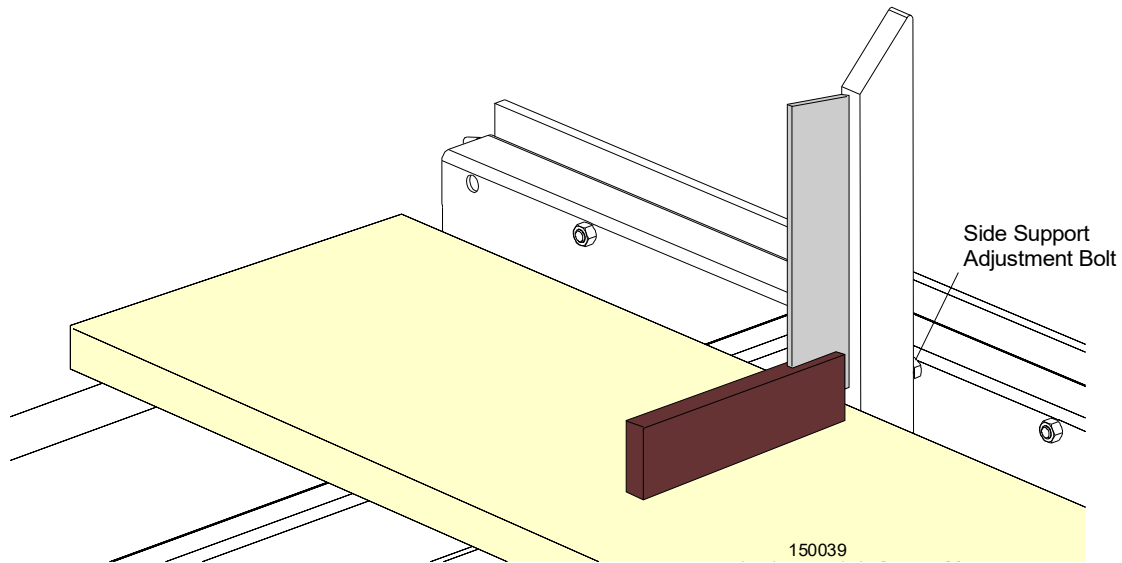


FIG. 8-27

4. Repeat the vertical check for the remaining side supports and adjust as necessary.

Blade Height Scale Adjustment

After the entire sawmill has been aligned and all adjustments made, check that the blade height scale indicates the true distance from the blade to the bed rails.

1. Move the saw carriage so the blade is positioned directly above one of the bed rails. Measure from the bottom edge on a down-set tooth of the blade to the top of the bed rail, near the inner blade guide assembly.
2. View the blade height scale with eyes level with the indicator. The scale should indicate the actual distance from the blade to the bed rail. Adjust the indicator if necessary.

See Figure 8-28. Loosen the indicator bracket mounting nut. Adjust the bracket up or down until the indicator is aligned with the correct mark on the scale (+0 -1/32 [0.8 mm]). Retighten the indicator mounting nut.

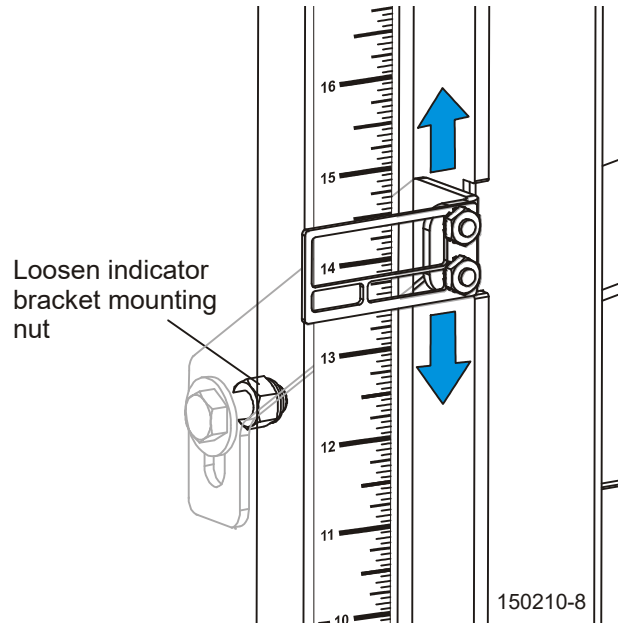


FIG. 8-28

Example: if the measurement from the down-set tooth of the blade to the bed rail was 14 3/4" (375 mm), make sure the indicator reads 14 3/4" (375 mm) on the scale.

INDEX

A

assembly
 battery 3-12
 bed sections 3-3
 feed rope 3-9
 log clamp 3-4
 saw carriage 3-6
 sawdust deflector 3-13, 3-14

B

blade
 breakage, troubleshooting 7-1
 installation 4-4
 tensioning 4-5
 tracking 4-6

blade guide arm
 operation 5-5

C

chain
 maintenance 6-4
 up/down tension 6-6

clutch/brake lever
 operation 5-8

L

leveling logs 5-4

loading logs 5-1

M

maintenance
 blade guide 6-1
 blade wheel belts 6-4
 carriage track/wipers 6-2
 drive belt 6-4
 mast rails 6-3
 miscellaneous 6-4
 part wear life 6-1
 sawdust removal 6-1
 up/down 6-6

montagem
 pé 3-1

O

operation
 edging 5-10
 sawing 5-9

S

safety
 instructions 2-1
 lockout procedure 2-9
 symbols 2-1

scale
 blade height operation 5-10
 inch height 5-11
 quarter inch 5-11

service information
 branch locations 1-4
 customer & sawmill ID 1-9
 general contact info 1-2

setup
 stationary sawmill 4-1

T

troubleshooting 7-1
 sawing problems 7-1

turning logs 5-2

U

up/down
 operation 5-4

W

water lube
 operation 5-12