

**Safety, Operation, Maintenance, &
Parts Manual**

Log Infeed Deck

rev.B2.01

Safety is our #1 concern!

Form #1024

MODELS EFFECTED:

LD12, Log Infeed Deck, 12' x 35" H

LD12-1, Log Infeed Deck, Industrial 12'x42"H

LD20, Log Infeed Deck, 19' 8in 35" High

LD20-1, Log Infeed Deck, 19' 8in 42" High

Associated with LT40, LT50, LT70, LT300-WM4500 Series



WARNING! Read and understand this manual before using this machine.

SECTION 1 INTRODUCTION

1.1 About This Manual.....1-1
 1.2 Getting Service.....1-1
 1.3 Specifications1-1
 1.4 Options and Accessories.....1-1

SECTION 2 SAFETY

2.1 Safety Symbols.....2-2
 2.2 Safety Instructions.....2-2
 Observe ALL Safety Instructions..... 2-2
 2.3 Electrical Lockout Procedures.....2-3
 2.4 Safety Labels Description.....2-5

SECTION 3 SETUP

3.1 Component Overview.....3-1
 3.2 Overall Dimensions3-2
 3.3 Installation Overview3-7

SECTION 4 HYDRAULIC INFORMATION

4.1 Hydraulic Schematics.....4-1

SECTION 5 REPLACEMENT PARTS

5.1 Rail Assembly, 12-Foot Right & Left.....5-1
 5.2 Rail Assembly, 20-Foot Right & Left.....5-3
 5.3 Stop/Loader Assembly5-5
 5.4 Drive Hydraulic Assembly5-7
 5.5 Installation Kit (All LT40 Supers, LT50, & LT70HD non-Remote).....5-8
 5.6 Installation Kit (LT70HD Super)5-10
 For LT70HD Super Rev. A1.00+..... 5-10
 5.7 Installation Kit (LT70HD DCS).....5-11
 For LT70HD DCS Rev. B4.02+..... 5-11
 5.8 Installation Kit (LT70HD Remote)5-12
 5.9 Installation Kit (LT300/WM3000/WM3500).....5-13
 5.10 Installation Kit (WM4000).....5-14
 5.11 LD20 12” and 24” Lift Kits (Optional)5-15
 5.12 LD12 12” and 24” Lift Kits (Optional).....5-16

Wood-Mizer® LLC
Limited Product Warranty



Wood-Mizer LLC (“Warrantor”), an Indiana corporation with its principal place of business at 8180 West Tenth Street, Indianapolis, IN 46214-2400 USA, warrants to the purchaser (“Purchaser”) that for the time periods specifically stated herein and subject to the terms, conditions and limitations stated herein, the equipment manufactured by the Warrantor will be free from defects in material and workmanship attributable to Warrantor so long as, during the warranty periods stated herein, the equipment is installed, operated and maintained in accordance with the instructions provided by Warrantor.

PRODUCT	MODEL CLASS	LENGTH OF WARRANTY		EFFECTIVE DATE
		USA & CANADA	NON USA & CANADA	
Portable Sawmills, Resaws, Edgers	LT, LX, HR, EG	Two years	One year	Date of purchase
Portable Sawmills with Chassis	LT28, LT35, LT40, LT50, LT70, LX450	Two years, excluding the chassis, which chassis shall have a five year warranty	One year	
Industrial Sawmills, Resaws, Edgers	WM, HR, EG, TVS, SVS	One year	One year	Date of purchase or date of installation / training (if applicable), whichever occurs first, not to exceed 6 months from date of purchase
TITAN Industrial	WB, TV, HR, EG, EA, MR	One year	One year	
Material Handling	TWC, IC, TD, LD, GC, CR, CB, CC	One year	One year	
Blade Maintenance Equipment	BMS, BMT, BMST	One year	One year	Date of purchase
Options and Accessories	Various	One year*	One year*	
Moulders, Extractors, Kilns	MP, MD, KS, KD	One year	One year	
Slab Flatteners	MB	Two years	One year	
Pallet Equipment	PD, PC	One year	One year	
Log Splitters	FS	One year	One year	
Replacement Parts	Various	90 days	90 days	

* Warranty on Options will match the warranty on the primary equipment when purchased on same invoice.

Exclusions from 90 Day, Limited One Year and Two Year Warranty

Warrantor shall have no responsibility under this warranty for any wear components, including, but not limited to: belts, blade guides, blades, electric motor brushes, drum switches, filters, fuses, hoses, bearings (excluding cylindrical drive bearings), bushings, cable carriers, and spark plugs. All wear components are furnished “as is”, without any warranty from Warrantor. This limited warranty does not cover any defects caused by misuse, negligence, alterations, damage due to overload, abnormal conditions, excessive operation, accident, or lack of performance of normal maintenance services.

Several components which are used in the manufacture of the equipment but not manufactured by Warrantor such as cant hooks, power plants, laser sights, batteries, tires, and trailer axles have warranties provided by the original equipment manufacturer (written copies available upon request). Warrantor does not separately warrant such items. Components or equipment manufactured by third parties are not covered by this warranty. Warrantor, however, will provide reasonable assistance to the Purchaser to make claims against any warranties applicable to such component parts as provided by such original equipment manufacturers. Components or equipment manufactured by third parties are not covered by this Warranty.

Five Year Limited Chassis Warranty

The limited five year chassis warranty described above, DOES NOT extend to (a) any damage stemming from accident, improper towing, overload, abuse, misuse, abnormal conditions, negligence, excessive operation, or lack of maintenance, (b) rust caused by exposure to corrosive atmospheric conditions, or (c) the sawmill head, carriage, axle, brakes, or any hydraulic or electrical components attached to the chassis.

Warrantor’s Obligations as To Defects

In the event that the equipment fails to perform due to defective materials or workmanship attributable to Warrantor under normal use and service within the established warranty period, Purchaser’s sole and exclusive remedy and Warrantor’s sole liability shall be to replace or repair, in Warrantor’s sole and subjective discretion, any defective part at Warrantor’s principal place of business without cost to the Purchaser if such defect exists. The determination of whether a product is defective shall be made by Warrantor in Warrantor’s sole and subjective discretion. The Purchaser must notify Warrantor prior to shipping any defective part. Warrantor, at its sole discretion, may cover expenses incurred in shipping the defective part to Warrantor for evaluation; provided, however, that Warrantor will not be responsible for labor, travel time, mileage, removal, installation or incidental or consequential damages. However, any part in excess of 140 pounds must be returned by the Purchaser, to the Warrantor’s nearest authorized facility at the Purchaser’s expense, if return is requested by Warrantor. Warrantor shall have a reasonable time within which to replace or repair the defective part. If Warrantor determines that the product is not defective under the terms of this warranty in Warrantor’s sole and subjective discretion, then Purchaser shall be responsible for any expenses incurred by Warrantor in returning the equipment to the Purchaser.

Limitations and Disclaimers of Other Warranties

EXCEPT FOR THE EXPRESS WARRANTY PROVISIONS STATED ABOVE, WARRANTOR DISCLAIMS ALL WARRANTIES, EXPRESS AND/OR IMPLIED, INCLUDING WITHOUT LIMITATION, THE IMPLIED WARRANTIES OF MERCHANTABILITY, AND FITNESS FOR A PARTICULAR PURPOSE, NONINFRINGEMENT AND TITLE. No representation or other affirmation of fact by representatives of Warrantor, whether verbal or in writing, including photographs, brochures, samples, models, or other sales aids, shall constitute a warranty or other basis for any legal action against Warrantor. There are no other representations, promises, agreements, covenants, warranties, guarantees, stipulations or conditions, express or implied, by Warrantor except as expressly set forth herein. THE ORIGINAL PURCHASER AND ANY INTENDED USER OR BENEFICIARY OF THIS EQUIPMENT, SHALL NOT BE ENTITLED TO RECOVER ANY INDIRECT, SPECIAL, PUNITIVE, EXEMPLARY, CONSEQUENTIAL, SPECIAL, OR INCIDENTAL DAMAGES OR LOSSES, INCLUDING BUT NOT LIMITED TO, DAMAGES OF LOST PRODUCTION, LOST REVENUE, LOST PRODUCT, LOST PROFITS, LOST BUSINESS, LOSS OF USE, LOSS OF GOODWILL, OR BUSINESS INTERRUPTION, FROM WARRANTOR FOR ANY REASON WHATSOEVER INCLUDING WITHOUT LIMITATION WARRANTY OR DEFECT IN THE PRODUCT REGARDLESS OF THE SOLE, JOINT AND/OR CONCURRENT NEGLIGENCE, BREACH OF CONTRACT, BREACH OF WARRANTY, STRICT LIABILITY IN TORT OR STATUTORY CLAIMS OR OTHER LEGAL FAULT OR RESPONSIBILITY OF EITHER WARRANTOR OR PURCHASER OR ITS EMPLOYEES OR AGENTS. Warrantor does not warrant that its equipment meets or complies with the requirements of any particular safety code or governmental requirements.

Defective items replaced under the terms of this warranty become the property of Warrantor.

Design Changes

Warrantor reserves the right to change the design of its products from time to time without notice and without obligation to make corresponding changes in or to its products previously manufactured.

Rights of Purchasers

The validity and effect of this limited warranty as well as its interpretation, operation and effect, shall be determined exclusively by the principles of law and equity of the State of Indiana, USA. This limited warranty gives Purchaser specific legal rights. Purchaser may also have other rights, which may vary from state to state. Some states may not allow limitations as to the duration of implied warranties or to the exclusion or limitation of incidental or consequential damages, so some of the limitations and exclusions detailed set forth above may not apply. In the event that any one or more of the provisions of this warranty shall be or become invalid, illegal or unenforceable in any respect, the validity, legality and enforceability of the remaining provisions of this warranty shall not be affected thereby.

Interpretations

This Warranty constitutes the entire warranty agreement between Warrantor and Purchaser and supersedes any prior understandings or agreements pertaining to the same subject matter. This warranty cannot be amended except in writing which refers to this warranty which is signed by both Warrantor and Purchaser.

SECTION 1 INTRODUCTION

1.1 About This Manual

This manual replaces any previous information received on your Wood-Mizer® equipment.

The information and instructions in this manual do not amend or extend the limited warranties for the equipment given at the time of purchase.

1.2 Getting Service

For contact information, sales, service, parts, and additional manuals, sign into your account on <https://woodmizer.com>, or call inside the USA: 1-800-553-0182 or from outside the USA: 317-271-1542

1.3 Specifications

Equipment specification are included in the Online Manuals, which are found at <https://apps.woodmizer.com/Manuals/Manuals.aspx?parent=0>.

1.4 Options and Accessories

Your Wood-Mizer product may have options that can be added to the machine or accessories available to purchase. Different power configurations are also available.

Option: Your specific product can have accessories installed at the factory, or installed in the field.

Accessory: Your specific product may have accessories added to the machine that are not available to be installed at the factory. They may only be installed in the field. For example, the PC100 might have Infeed and Outfeed Table accessories.

Part #	Name	Type
133016	Kit, LD12 12" Lift Kit	Accessory (WM4000/4500)
133015	Kit, LD20 12" Lift Kit	Accessory (WM4000/4500)
133023	Kit, LD12 24" Lift Kit	Accessory (WM4000/4500)
133022	Kit, LD20 24" Lift Kit	Accessory (WM4000/4500)

TABLE 1-1

SECTION 2 SAFETY

2.1 Safety Symbols

The following symbols and signal words call your attention to instructions concerning your personal safety. Be sure to observe and follow these instructions.



DANGER! indicates an imminently hazardous situation which, if not avoided, will result in serious injury or death.



WARNING! suggests a potentially hazardous situation which, if not avoided, could result in serious injury or death.



CAUTION! refers to potentially hazardous situations which, if not avoided, may result in minor or moderate injury or damage to equipment.

NOTICE indicates vital information.

2.2 Safety Instructions

NOTE: ONLY safety instructions regarding personal injury are listed in this section. Caution statements regarding only equipment damage appear where applicable throughout the manual.



WARNING! Clean sawdust from all guards, vents, control boxes, or any area where sawdust may gather after every shift. Failure to do so may result in fire, causing death or serious injury.



Observe ALL Safety Instructions

NOTICE Read the entire Operator's Manual before operating this equipment.

Note all safety warnings throughout this manual and those posted on the machine.

Be able to access this manual at all times while operating this equipment.

Read additional manufacturer's manuals and observe their applicable safety instructions.

Only persons who have read and understood the entire operator's manual should operate this equipment.

This equipment is not intended for use by or around children.

It is the owner/operator's responsibility to comply with all applicable federal, state, and local laws, rules, and regulations regarding the ownership, operation, and transporting your equipment.



KEEP LOG DECK AND AREA AROUND LOG DECK CLEAN



DANGER! Maintain a clean and clear path for all necessary movement around the machine and lumber stacking areas. Failure to do so will result in serious injury.

CAUTIONS FOR LOG DECK SETUP




WARNING! Securely fasten the feet of a log deck to the floor before operating the machine. Failure to do so may result in serious injury or death.


CHECK LOG DECK BEFORE OPERATION




DANGER! Make sure all guards and covers are in place and secured before operating the log deck. Failure to do so may result in serious injury.


 **CAUTION!** Never drop logs onto the log deck from a height more than 6" (15 mm) when loading. Failure to do so may result in damage to the log deck.

KEEP PERSONS AWAY

 **WARNING!** Keep all persons out of the path of moving equipment and logs while operating log deck. Failure to do so may result in serious injury or death.


KEEP HANDS AWAY

 **DANGER!** Always be aware of and take proper protective measures against rotating shafts, pulleys, fans, etc. Always stay a safe distance from rotating members and make sure that loose clothing or long hair does not engage rotating members resulting in possible injury.


 **WARNING!** Before performing service near moving parts such as blades, pulleys, motors, belts and chains, make sure the unit is not in use. If the unit is operated and moving parts activated, serious injury may result.



USE PROPER PROCEDURE WHEN CONDUCTING ELECTRICAL SAFETY CHECKS AND MAINTENANCE

 **DANGER!** Make sure all electrical installation, service and/or maintenance work is performed by a qualified electrician and is in accordance with applicable electrical codes.

DANGER! Hazardous voltage inside the electric sawmill disconnect box, starter box, and at the motor can cause shock, burns, or death. Disconnect and lock out power supply before servicing! Keep all electrical component covers closed and securely fastened during mill operation.

 **WARNING!** Consider all electrical circuits energized and dangerous.

WARNING! Never assume or take the word of another person that the power is off; check it out and lock it out.

WARNING! Do not wear rings, watches, or other jewelry while working around an open electrical circuit.



2.3 Electrical Lockout Procedures

RULES FOR USING LOCKOUT PROCEDURE

The equipment shall be locked out to protect against accidental or inadvertent operation when such operation could cause injury to personnel. Do not attempt to operate any switch or valve bearing a lock.

LOCKOUT PROCEDURES MUST BE USED DURING, BUT NOT LIMITED TO:

- Changing or adjusting blades
- Unjamming operations
- Cleaning
- Mechanical repair
- Electrical maintenance
- Retrieval of tools/parts from work area
- Activities where guards or electrical panel guard is open or removed

MAINTENANCE HAZARDS INCLUDE, BUT NOT LIMITED TO:

- Blade contact
- Pinch points
- Kickbacks
- Missiles (thrown blades/wood chips)
- Electrical

FAILURE TO LOCKOUT MAY RESULT IN, BUT NOT LIMITED TO:

- Cut
- Crush
- Blindness
- Puncture
- Electrocution
- Serious injury and death

- Amputation
- Burn
- Shock

TO CONTROL MAINTENANCE DANGERS:

- Lockout procedures must be followed (see **OSHA regulation 1910.147**).
- Never rely on machine stop control for maintenance safety (emergency stops, on/off switches, interlocks).
- Do not reach into moving blades or feed systems. Allow all coasting parts to come to a complete stop.
- Electrical power supply and air supply must both be locked out.
- Where established lockout procedures cannot be used (electrical troubleshooting or mechanical dynamic troubleshooting), alternative effective protective techniques shall be employed which may require special skills and planning.
- Always follow safe operations practices in the workplace.

EQUIPMENT LOCKOUT PROCEDURE

Lockout procedures per OSHA regulation 1910.147, appendix A:

GENERAL

The following simple lockout procedure is provided to assist owner/operators in developing their procedures so they meet the requirements of **OSHA regulation 1910.147**. When the energy isolating devices are not lockable, tagout may be used, provided the owner/operator complies with the provisions of the standard which require additional training and more rigorous periodic inspections. When tagout is used and the energy isolating devices are lockable, the owner/operator must provide full operator protection (see OSHA regulation 1910.147, paragraph (c)(3)) and additional training and more rigorous periodic inspections are required. For more complex systems, more comprehensive procedures may need to be developed, documented, and utilized.

PURPOSE

This procedure establishes the minimum requirements for the lockout of energy isolating devices whenever maintenance or servicing is done on machines or equipment. It shall be used to ensure that the machine or equipment is stopped, isolated from all potentially hazardous energy sources and locked out before personnel perform any servicing or maintenance where the unexpected energization or start-up of the machine or equipment or release of stored energy could cause injury.


COMPLIANCE WITH THIS PROGRAM

All personnel are required to comply with the restrictions and limitations imposed upon them during the use of lockout. The authorized personnel are required to perform the lockout in accordance with this procedure. All operators, upon observing a machine or piece of equipment which is locked out to perform servicing or maintenance shall not attempt to start, energize, or use that machine or equipment.

SEQUENCE OF LOCKOUT

1. Notify all affected personnel that servicing or maintenance is required on a machine or equipment and that the machine or equipment must be shut down and locked out to perform the servicing or maintenance.
2. The authorized employee shall refer to the company procedure to identify the type and magnitude of the energy that the machine or equipment utilizes, shall understand the hazards of the energy, and shall know the methods to control the energy.
3. If the machine or equipment is operating, shut it down by the normal stopping procedure (depress the stop switch, open switch, close valve, etc.).
4. De-activate the energy isolating device(s) so that the machine or equipment is isolated from the energy source(s).
5. Lock out the energy isolating device(s) with assigned individual lock(s).
6. Stored or residual energy (such as that in capacitors, springs, elevated machine members, rotating flywheels, hydraulic systems, and air, gas, steam, or water pressure, etc.) must be dissipated or restrained by methods such as grounding, repositioning, blocking, bleeding down, etc.

7. Ensure that the equipment is disconnected from the energy source(s) by first checking that no personnel are exposed, then verify the isolation of the equipment by operating the push button or other normal operating control(s) or by testing to make certain the equipment will not operate.

 **CAUTION!** Return operating control(s) to neutral or "off" position after verifying the isolation of the equipment.

8. The machine or equipment is now locked out.

RESTORING EQUIPMENT TO SERVICE

When the servicing or maintenance is completed and the machine or equipment is ready to return to normal operating condition, the following steps shall be taken.

1. Check the machine or equipment and the immediate area around the machine to ensure that nonessential items have been removed and that the machine or equipment components are operationally intact.
2. Check the work area to ensure that all personnel have been safely positioned or removed from the area.
3. Verify that the controls are in neutral.
4. Remove the lockout devices and re-energize the machine or equipment.

NOTE: The removal of some forms of blocking may require re-energization of the machine before safe removal.

5. Notify affected personnel that the servicing or maintenance is completed and the machine or equipment is ready for use.

PROCEDURE INVOLVING MORE THAN ONE PERSON

In the preceding steps, if more than one individual is required to lock out the equipment, **each shall place his own personal lock** on the energy isolating devices.

2.4 Safety Labels Description

See table below for safety labels description.

TABLE 2-0



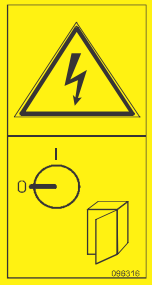
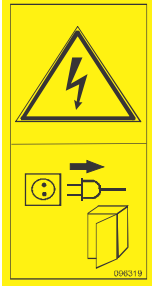

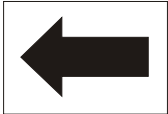
Label View	Description
	096317 CAUTION! Read and understand operator's manual before handling the machine.
	099220 Close guards prior to operating the machine

TABLE 2-0


	<p>096316 Electric box opening is possible with the switch in "0" position only.</p>
	<p>096319 Always disconnect the power cord before opening the electric box.</p>
	<p>524993 Hand injury hazard</p>
	<p>S20097-US Motor rotate direction</p>

SECTION 3 SETUP

3.1 Component Overview

With the Log Infeed Deck, you can load logs directly onto the sawmill bed. 12-Foot (LD12/LD12-1) and 20-Foot (LD20/LD20-1) Log Infeed Decks are available. The following manual will guide you in installation, operation, and alignment of the Log Infeed Deck.

If installing the Log Infeed Deck on a WM4000/4500 with a 12" or 24" lift kit, an optional lift kit can also be installed on the Log Infeed Deck. [See Section 3.8](#) for installation instructions.

 **WARNING!** Keep all persons out of the path of moving equipment and logs while operating the Log Infeed Deck. Failure to do so may result in serious injury or death.

The main components of the Log In-feed Deck are shown below.

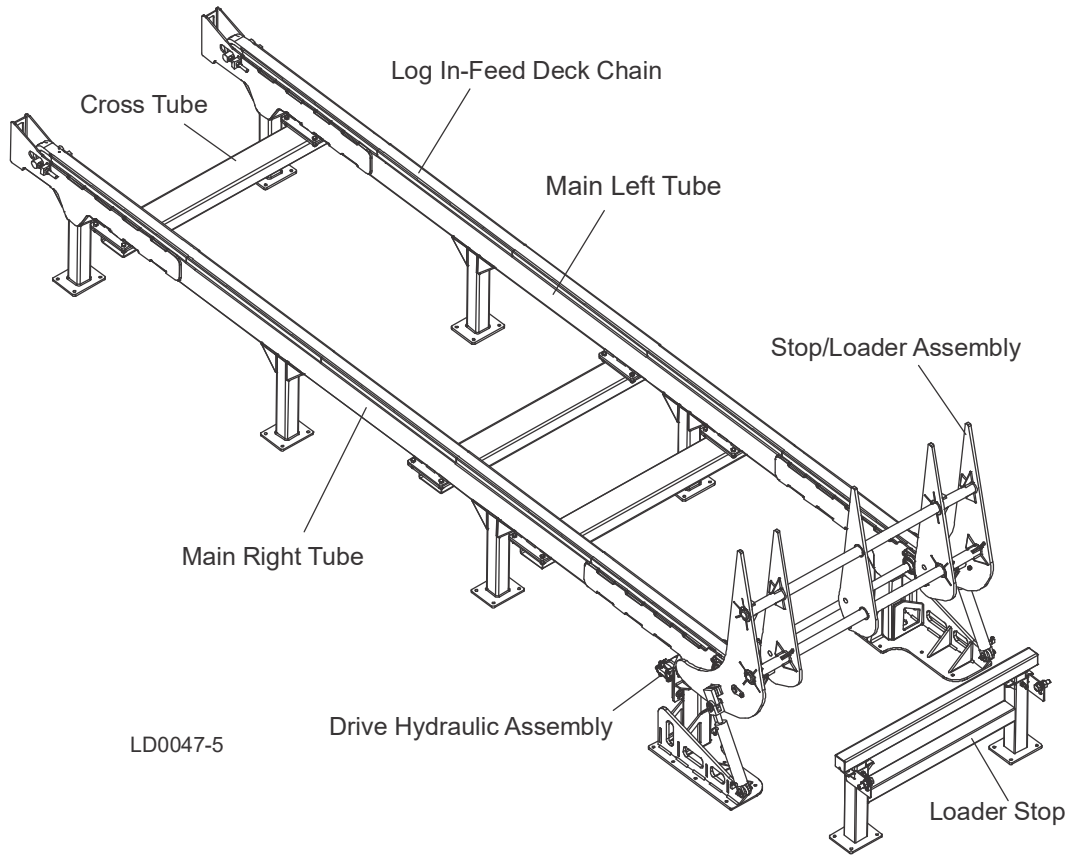


FIG. 3-1

3.2 Overall Dimensions

The overall dimensions of the 12-Foot Log Infeed Deck (LD12) are shown below. Use the LD12 for LT30/40/60/70 model saw-mills.

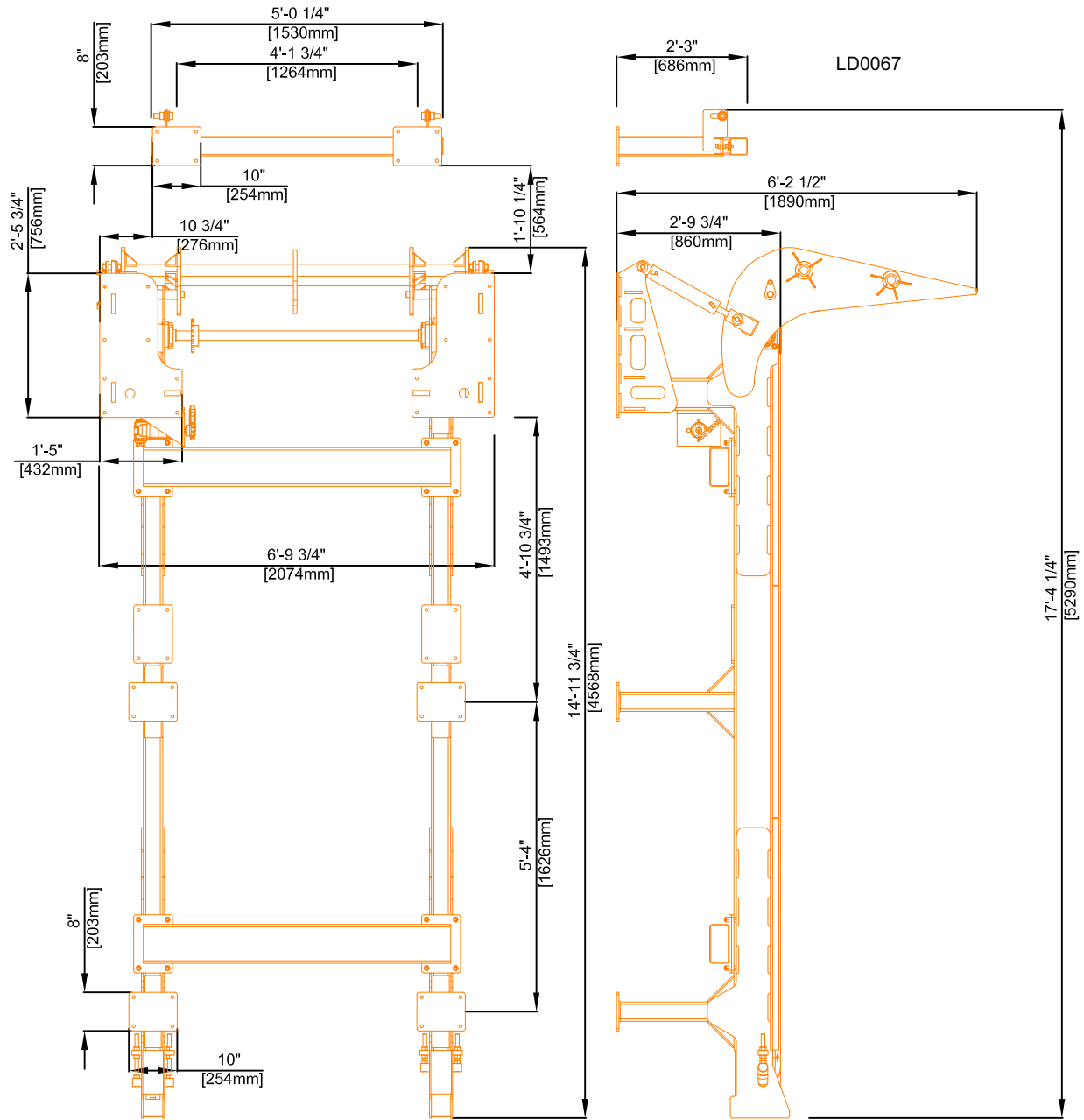


FIG. 3-2

3 Setup Overall Dimensions

The overall dimensions of the 12-Foot Log Infeed Deck (LD12-1) are shown below. Use the LD12-1 for LT300, WM3000 and WM3500 model sawmills.

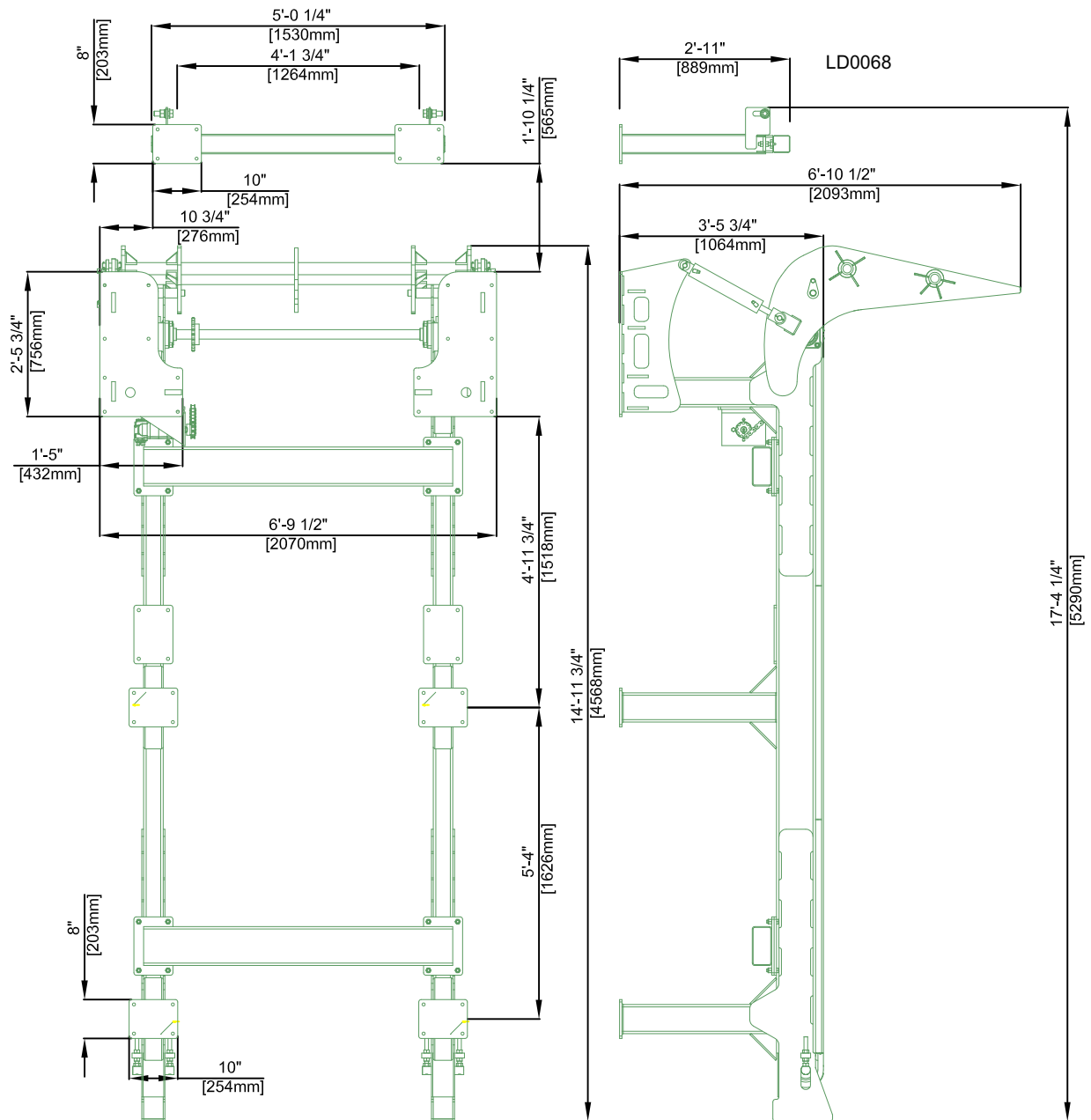


FIG. 3-3

The overall dimensions of the 20-Foot Log Infeed Deck (LD20) are shown. Use the LD20 for LT30/40/60/70 model sawmills shown.

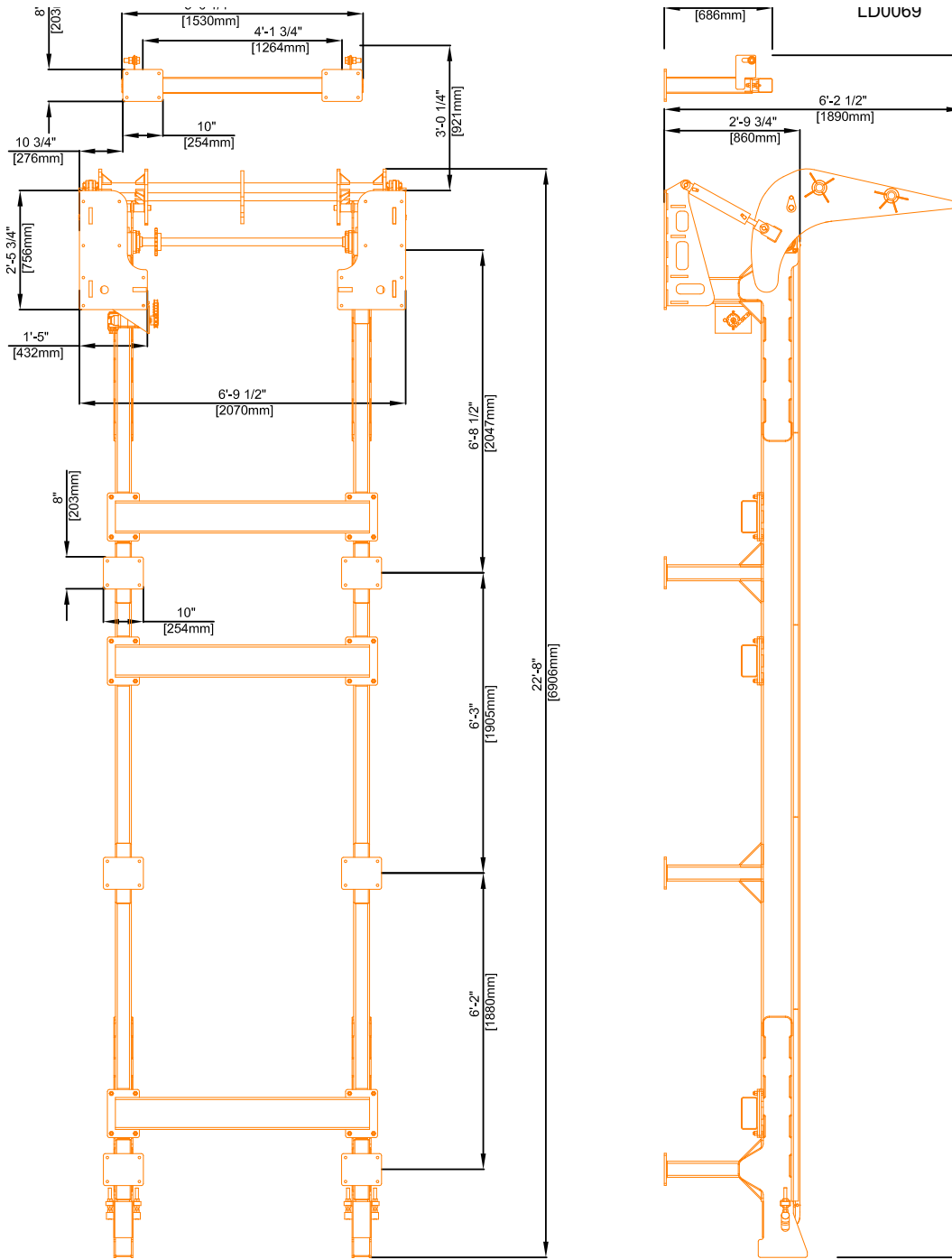


FIG. 3-4

3 Setup Overall Dimensions

The overall dimensions of the 20-Foot Log Infeed Deck (LD20-1) are shown. Use the LD20-1 for LT300, WM3000 and WM3500 model sawmills.

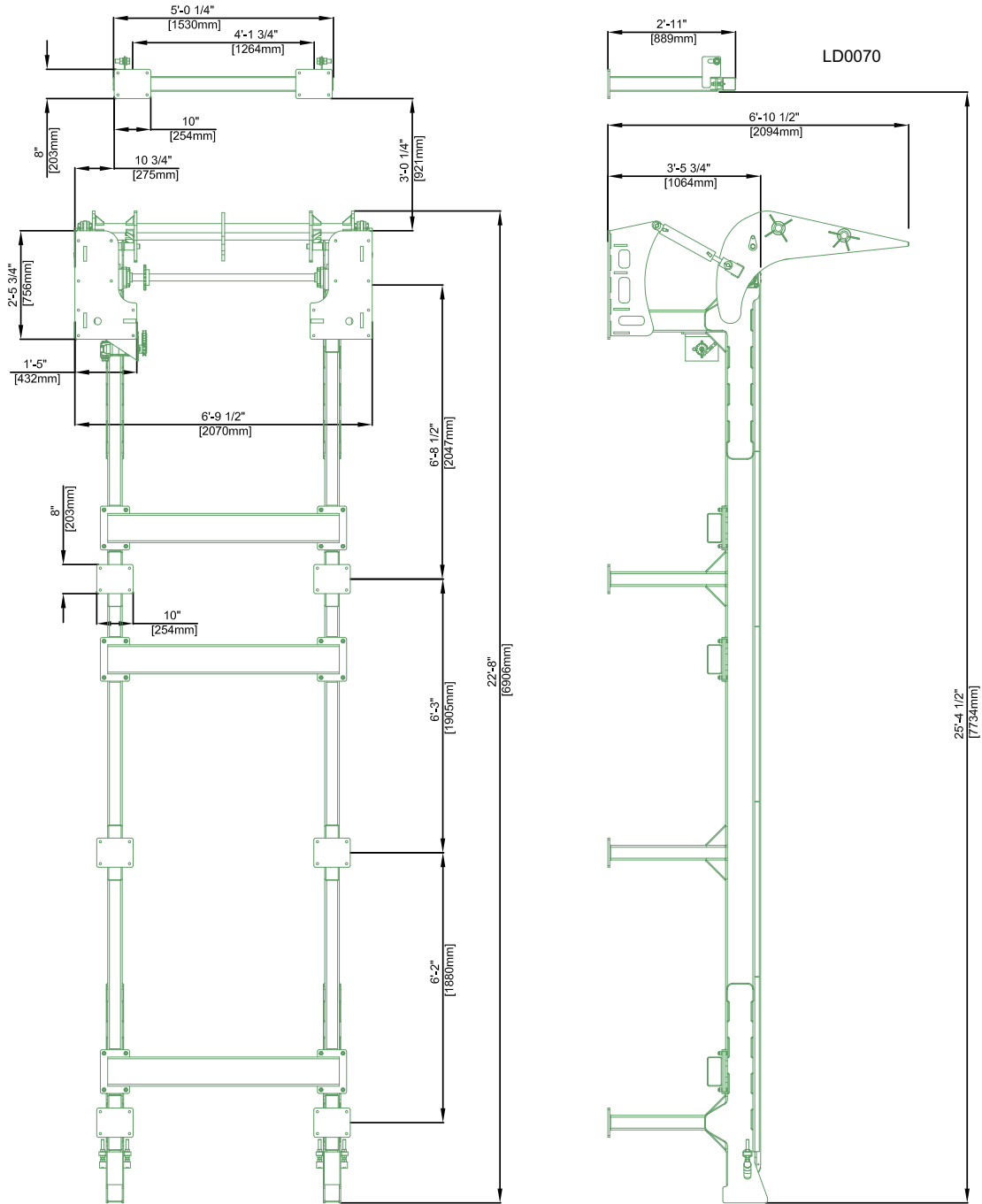


FIG. 3-5

3.3 Installation Overview

The Log Infeed Deck can be installed and used on several models of sawmills. Instructions and installation kits vary depending on the model of sawmill the log deck is to be installed on. See the chart below for a guide to the proper installation kit and instructions.

Sawmill Model	12' Log Deck Kit	20' Log Deck Kit	Installation Kit	Installation/Operation Instructions
'97+ Lt40hd Super/super Remote, Lt70hd Non-remote)	LD12	LD20	LD70/40KIT	See Form 2436
LT70HD Super	LD12	LD20	LD70-SUPERKIT	See Form 2437
LT70HD DCS	LD12	LD20	LD70-DCSKIT	See Form 2438
LT70HD Remote	LD12	LD20	LD70-RKIT2 LD70-RKIT ¹	See Form 2439
LT300 (Rev. A1 - A6.03)	LD12	LD20	LD300KIT	See Form 2440
LT300 (Rev. A7- A8.00)	LD12-1 ²	LD20-1 ²	LD300KIT	See Form 2440
LT300 (Rev. A9 - B2.02)	LD12-1	LD20-1	LD300KIT2 ³	See Form 2440
LT300 (Rev. B3.00+) WM3000 (All) WM3500 (All)	LD12-1	LD20-1	LD300KIT3 ⁴	See Form 2440
WM4000/4500	LD12-1	LD20-1	LD4000KIT	See Form 2441

TABLE 3-1

¹ Use LD70-RKIT2 to install Log Deck to LT70HD Remote Rev. A6.00 and later. Use LD70-RKIT for LT70HD Remote with extra 8th valve port.

² LT300 after Rev. A7.00 increased height 8". LD12-1 and LD20-1 will accommodate new height of LT300.

³ Use LD300KIT2 to install Log Deck to LT300 Rev. A9.00 - B2.02 (Includes valve assembly no longer supplied on LT300).

⁴ Use LD300KIT3 to install Log Deck to LT300 Rev. B3.00 and later and all WM3000 and WM3500 (Includes electrical harnessing to accommodate new control configuration).

SECTION 4 HYDRAULIC INFORMATION

4.1 Hydraulic Schematics

All Supers & LT70HD non-Remote

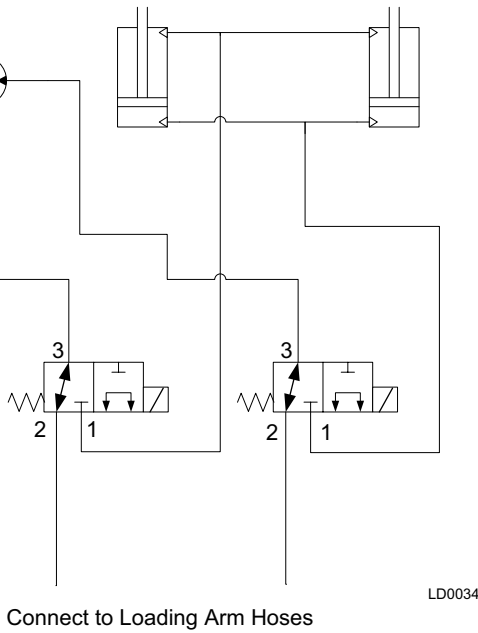


FIG. 4-1 SUPER/LT60HD/LT70HD NON-REMOTE

LT70HD Remote & LT70HD DCS

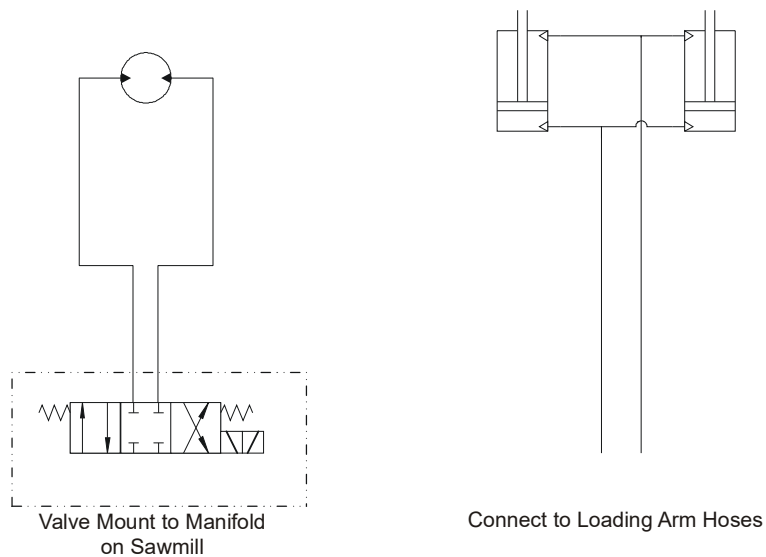


FIG. 4-2 LT70HD REMOTE & LT70HD DCS

LT 300

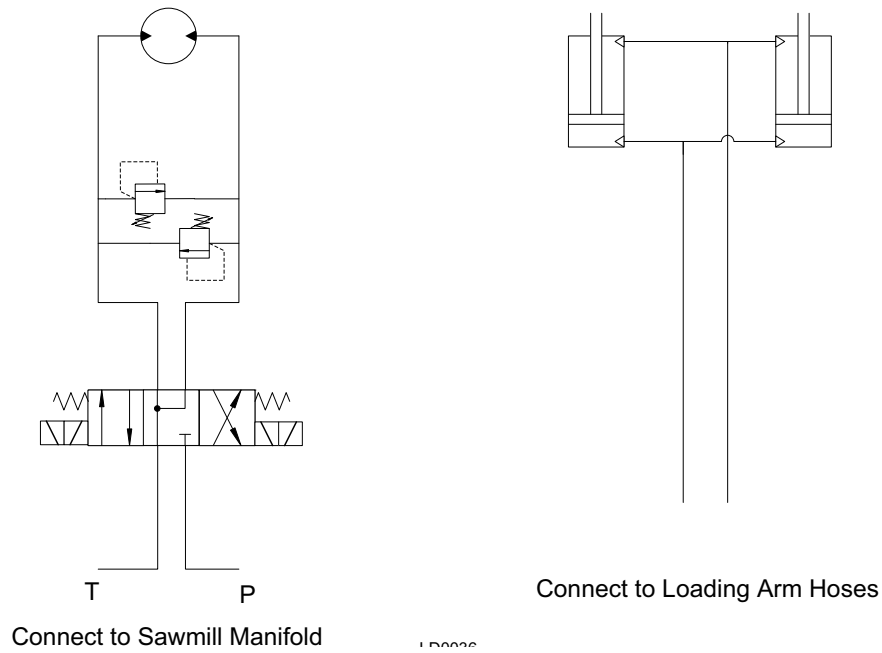


FIG. 4-3 LT300/WM3000/WM3500

WM4000

LD0059

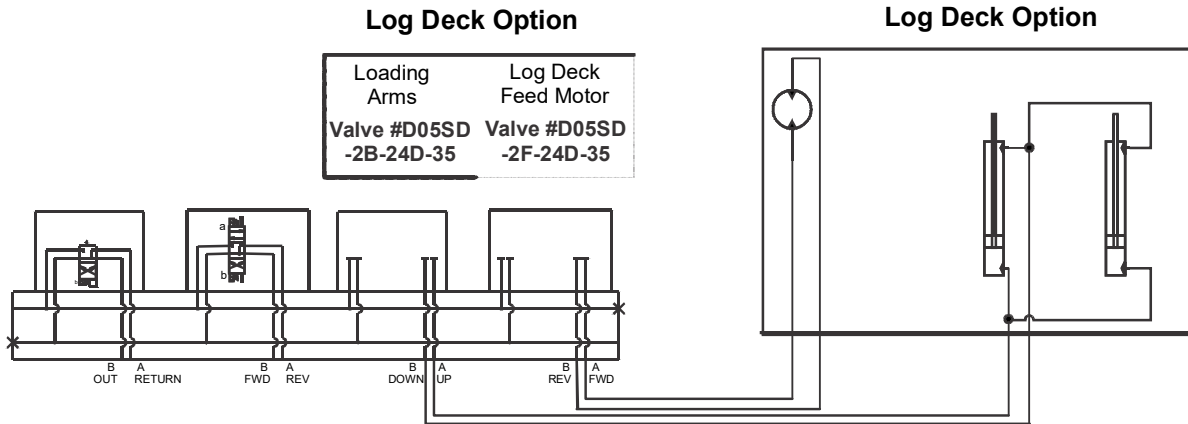
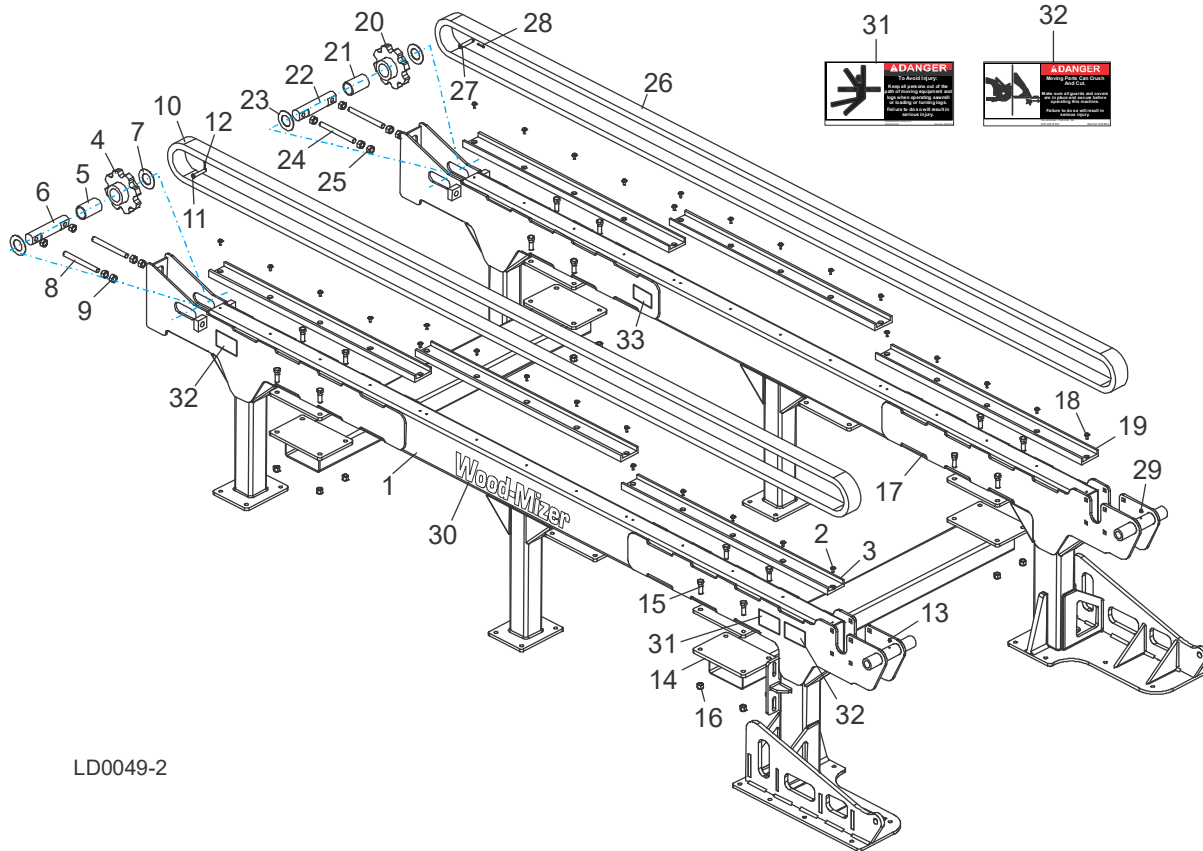


FIG. 4-4 WM4000

SECTION 5 REPLACEMENT PARTS

5.1 Rail Assembly, 12-Foot Right & Left



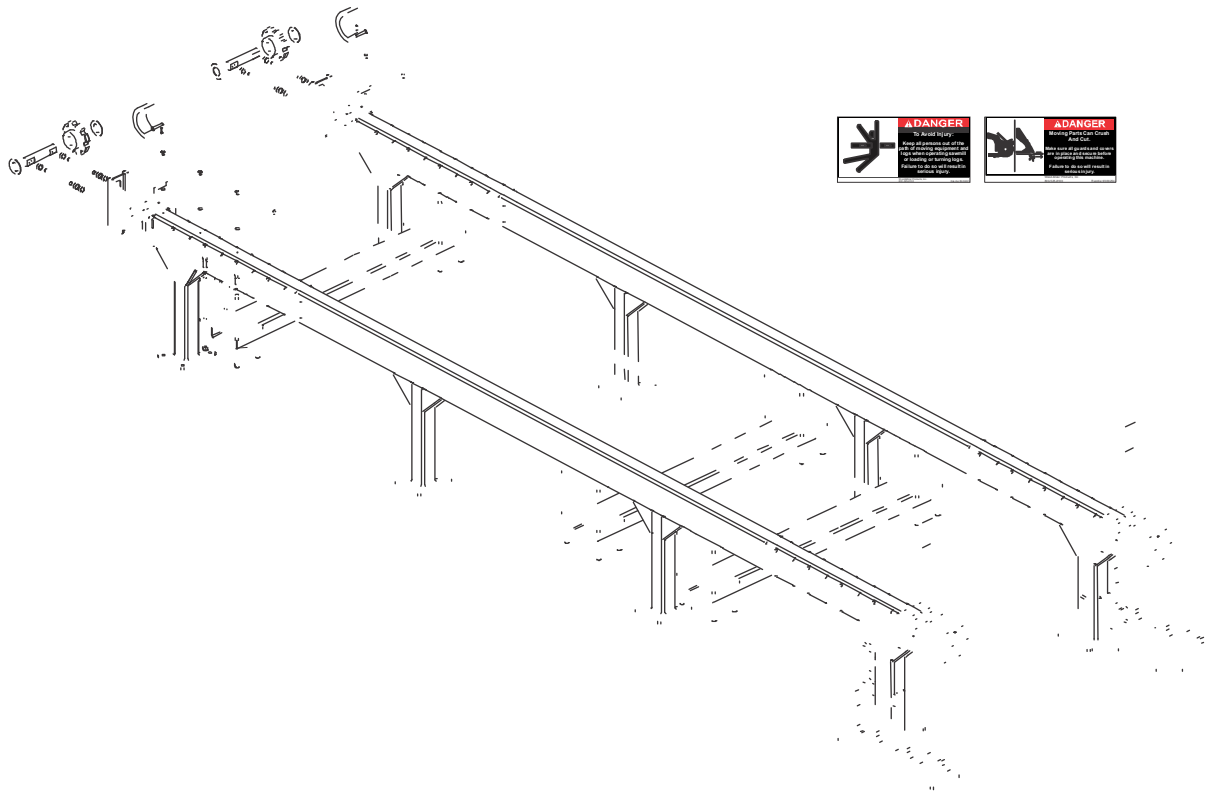
LD0049-2

REF	PART #	DESCRIPTION	COMMENTS	QTY.
	065856	RAIL ASSEMBLY, 12-FEET RIGHT (LD12-1)		1
	065930	RAIL ASSEMBLY, 12-FEET RIGHT (LD12)		1
1	065854	Tube Weldment, 12-Foot Infeed Deck Main Right (LD12-1)		1
	065928	Tube Weldment, 12-Foot Infeed Deck Main Right (LD12)		1
2	F05005-207	Bolt, 1/4-20 x 3/4" Hex Head w/Washer&Patch		15
3	033722	Channel, UHMW Conveyor		3
	033715	SPROCKET ASSEMBLY, IDLER WR7808		1
4	036717	Spocket Weldment, Idler WR7808		1
5	036708	Bushing, 1 15/16" x 2 5/16" x 3 3/4" Bronze		1
6	033718	Shaft, Chain Idler		1
7	033735	Washer, 1.95" ID X 4" OD X .078"		2
8	017642	Stud, 3/4-16 X 7 3/4" Threaded		2
9	F05010-92	Nut, 3/4-16 Hex		6
10	033760	Chain, 12-Foot Infeed Deck		1
11	017643	Pin, WR78 Chain Connecting		1
12	F05012-112	Pin, 5/32" x 1" Cotter		1
13	P04107	Fitting, 3/16" x 3/16" Straight Grease		1

5 Replacement Parts
Rail Assembly, 12-Foot Right & Left

REF	PART #	DESCRIPTION	COMMENTS	QTY.
14	035767	CROSS TUBE WELDMENT, INFEED		2
15	F05009-33	BOLT, 5/8-11 X 1 3/4 HEX HEAD		16
16	F05010-4	NUT, 5/8-11 HEX LOCK		16
	065855	RAIL ASSEMBLY, 12-FEET LEFT (LD12-1)		1
	065929	RAIL ASSEMBLY, 12-FEET LEFT (LD12)		1
17	065853	Tube Weldment, 12-Feet Infeed Deck Main Left (LD12-1)		1
	065927	Tube Weldment, 12-Feet Infeed Deck Main Left (LD12)		1
18	F05005-207	Bolt, 1/4-20 x 3/4" Hex Head w/Washer&Patch		15
19	033722	Channel, UHMW Conveyor		3
	033715	SPROCKET ASSEMBLY, IDLER WR7808		1
20	036717	Spocket Weldment, Idler WR7808		1
21	036708	Bushing, 1 15/16" x 2 5/16" x 3 3/4" Bronze		1
22	033718	Shaft, Chain Idler		1
23	033735	Washer, 1.95" ID X 4" OD X .078"		2
24	017642	Stud, 3/4-16 X 7 3/4" Threaded		2
25	F05010-92	Nut, 3/4-16 Hex		6
26	033760	Chain, 12-Foot Infeed Deck		1
27	017643	Pin, WR78 Chain Connecting		1
28	F05012-112	Pin, 5/32" x 1" Cotter		1
29	P04107	Fitting, 3/16" x 3/16" Straight Grease		1
30	074077	DECAL, 27" WHITE WOOD-MIZER LOGO		2
31	S09851	DECAL, KEEP AWAY DANGER		2
32	033254	DECAL, MOVING PARTS DANGER		4
33	016187	DECAL, REVISION		1

5.2 Rail Assembly, 20-Foot Right & Left

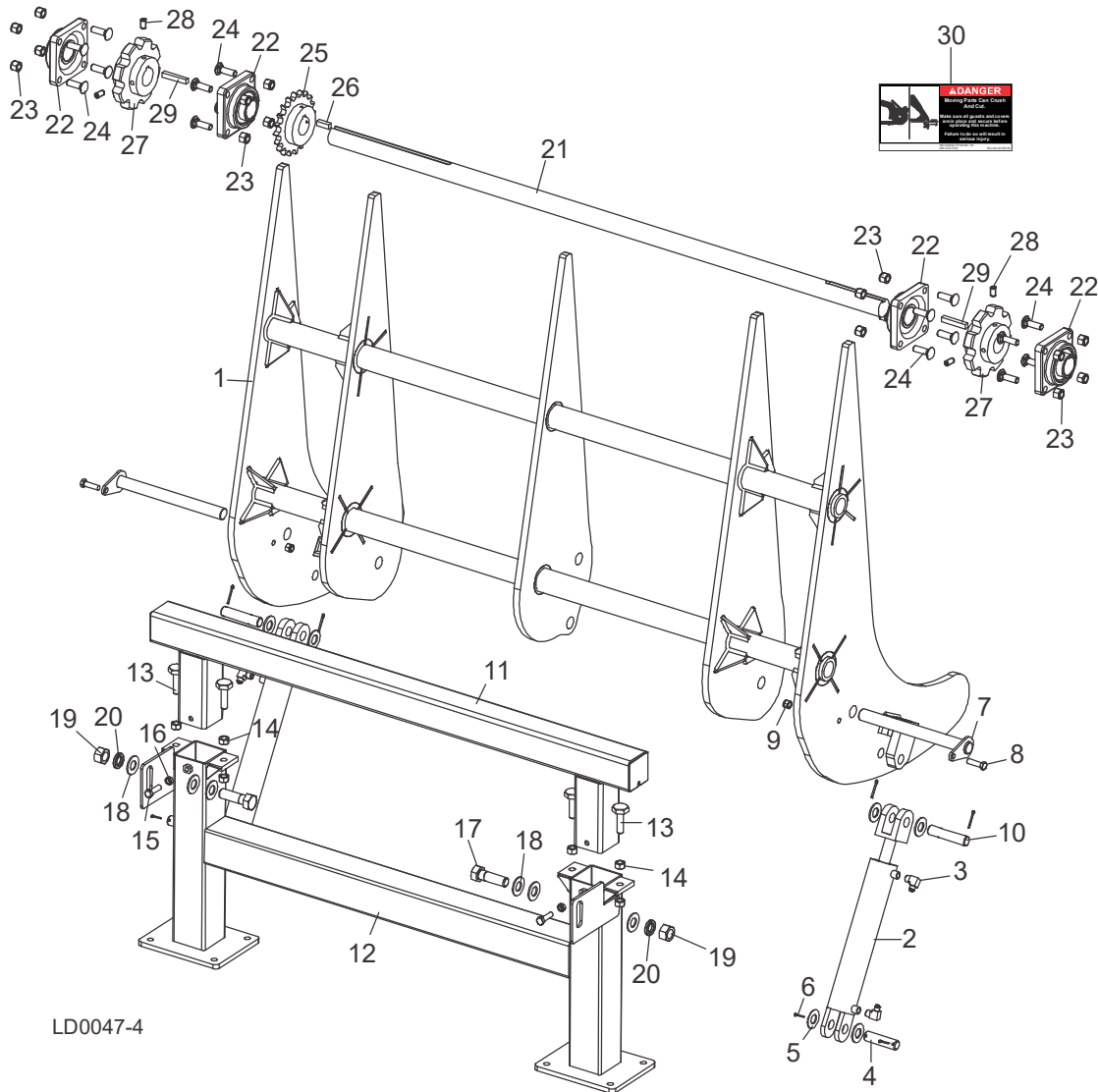


REF	PART #	DESCRIPTION	COMMENTS	QTY.
	065671	RAIL ASSEMBLY, 20-FOOT RIGHT (LD20-1)		1
	065903	RAIL ASSEMBLY, 20-FOOT RIGHT (LD20)		1
1	065666	Tube Weldment, 20-Foot Infeed Deck Main Right (LD20-1)		1
	065901	Tube Weldment, 20-Foot Infeed Deck Main Right (LD20)		1
2	035755	Channel, UHMW Drive End Conveyor		1
3	F05005-207	Bolt, 1/4-20 x 3/4" Hex Head w/Washer&Patch		24
4	033722	Channel, UHMW Conveyor		4
5	033715	SPROCKET ASSEMBLY, IDLER WR7808		1
	036717	Sprocket Weldment, Idler WR7808		1
	036708	Bushing, 1 15/16" x 2 5/16" x 3 3/4" Bronze		1
6	033718	Shaft, Chain Idler		1
7	033735	Washer, 1.95" ID X 4" OD X .078"		2
8	017642	Stud, 3/4-16 X 7 3/4" Threaded		2
9	F05010-92	Nut, 3/4-16 Hex		6
10	035762	Chain, 20-Foot Infeed Deck		1
11	017643	Pin, WR78 Chain Connecting		1
12	F05012-112	Pin, 5/32" x 1" Cotter		1
13	035767	CROSS TUBE WELDMENT, INFEED		3
14	F05009-33	BOLT, 5/8-11 X 1 3/4 HEX HEAD		24
15	F05010-4	NUT, 5/8-11 HEX LOCK		24
	065670	RAIL ASSEMBLY, 20-FOOT LEFT (LD20-1)		1
	065902	RAIL ASSEMBLY, 20-FOOT LEFT (LD20)		1

5 Replacement Parts
Rail Assembly, 20-Foot Right & Left

REF	PART #	DESCRIPTION	COMMENTS	QTY.
16	065665	Tube Weldment, 20-Feet Infeed Deck Main Left (LD20-1)		1
	065900	Tube Weldment, 20-Feet Infeed Deck Main Left (LD20)		1
17	035755	Channel, UHMW Drive End Conveyor		1
18	F05005-207	Bolt, 1/4-20 x 3/4" Hex Head w/Washer&Patch		24
19	033722	Channel, UHMW Conveyor		4
20	033715	SPROCKET ASSEMBLY, IDLER WR7808		1
	036717	Spocket Weldment, Idler WR7808		1
	036708	Bushing, 1 15/16" x 2 5/16" x 3 3/4" Bronze		1
21	033718	Shaft, Chain Idler		1
22	033735	Washer, 1.95" ID X 4" OD X .078"		2
23	017642	Stud, 3/4-16 X 7 3/4" Threaded		2
24	F05010-92	Nut, 3/4-16 Hex		6
25	035762	Chain, 20-Foot Infeed Deck		1
26	017643	Pin, WR78 Chain Connecting		1
27	F05012-112	Pin, 5/32" x 1" Cotter		1
28	074077	DECAL, 27" WHITE WOOD-MIZER LOGO		2
29	S09851	DECAL, KEEP AWAY DANGER		2
30	033254	DECAL, MOVING PARTS DANGER		4
31	016187	DECAL, REVISION		1

5.3 Stop/Loader Assembly



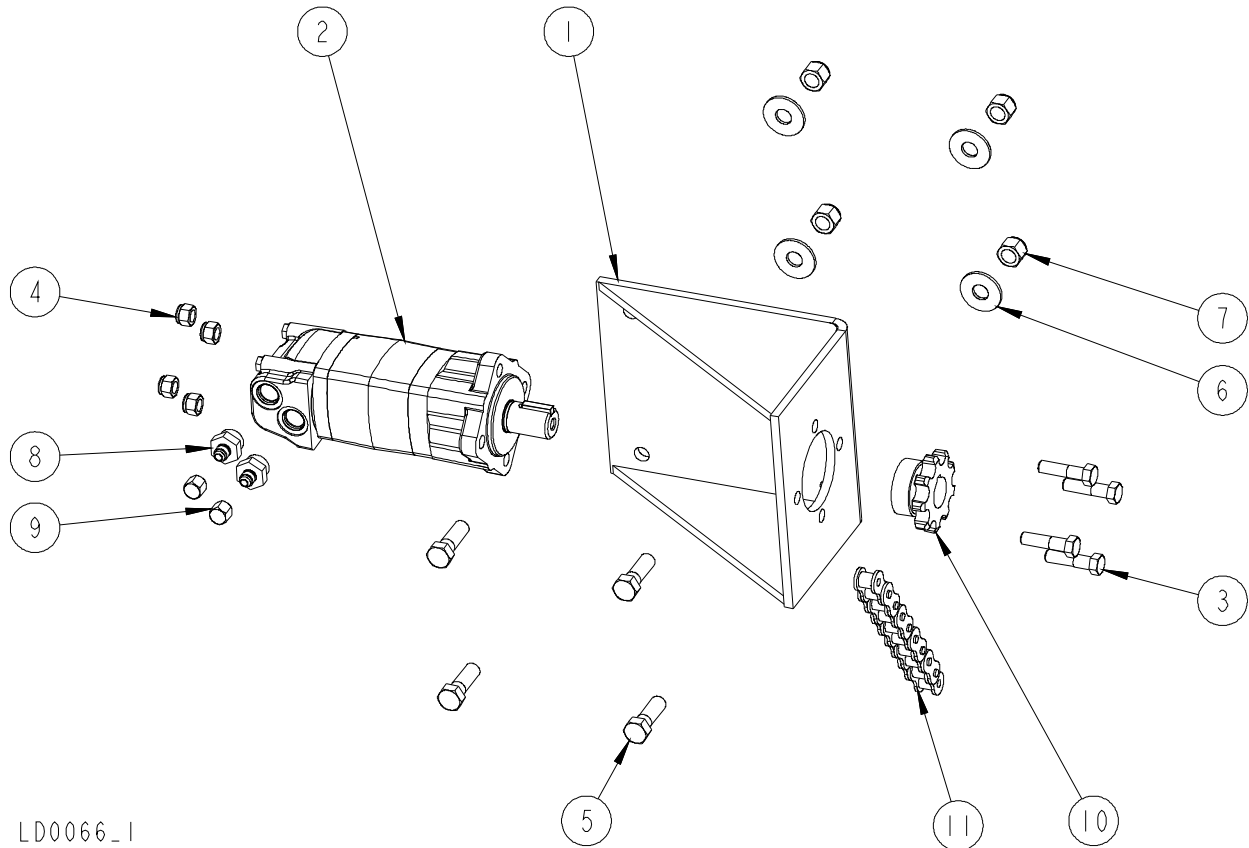
REF	PART #	DESCRIPTION	COMMENTS	QTY.
	104208	ARM ASSEMBLY, LOG UNLOADING 2-STRAND		1
1	104249	Arm Weldment, 2-Strand Log Loading		1
2	050105	Cylinder, 2 1/2" X 22 1/4" Rod End Welded		2
	P12955	Seal Kit, 2 1/2x8 Hydraulic Cylinder		1
3	016820	Fitting, 3/8" NPT-3/8" JIC 90° Elbow		4
4	S09251	Pin, 1" X 3.88"		2
5	F05011-28	Washer, 1" ID SAE Flat		8
6	F05012-23	Pin, 3/16" X 1 1/2" Cotter		8
7	062805	Pin Weldment, 1-1/4" x 13" Pivot		2
8	F05008-88	Bolt, 1/2-13 x 1 3/4" Hex Head Grade 5 Full Thread		2
9	F05010-8	Nut, 1/2-13 Nylon Hex Lock		2
10	065885	Pin, 1" x 4-5/8" Pivot		2
	036543	STOP ASSEMBLY, LOADER (LD12-1/LD20-1)		1
	033773-1	STOP ASSEMBLY, LOADER (LD12/LD20)		1

5 Replacement Parts

Stop/Loader Assembly

REF	PART #	DESCRIPTION	COMMENTS	QTY.
11	050112	Weldment, Rail Top Rest		1
12	036542	Stop Weldment, Loader (LD12-1/LD20-1)		1
	033772-1	Stop Weldment, Loader (LD12/LD20)		1
13	S13006	Bolt, Bed Rail Adjust LT50		4
14	F05010-5	Nut, 5/8-11 Hex		8
15	F05008-127	Bolt, 1/2-20 X 1 3/4" Hex Head Full Thread		2
16	F05010-16	Nut, 1/2-20 Hex Jam		2
17	F05009-51	Bolt, 1-8 X 3 1/4" Hex Head Grade 5		2
18	F05011-28	Washer, 1" ID SAE Flat		6
19	F05010-94	Nut, 1-8 Hex		2
20	F05011-53	Washer, 1" Split Lock		2
	065915	SHAFT ASSEMBLY, LOG DECK DRIVE		1
21	065883	Shaft, Jack 1-15/16" x 69-1/4"		1
22	033712	Bearing, 1 15/16" 4-Bolt Flange		4
23	F05010-34	Nut, 5/8-11 Nylon Lock		16
24	F05009-116	Bolt, 5/8-11 x 2" Grade 5 Carriage		16
25	065783	Sprocket, 80B20 x 1 15/16"		1
26	033738	Key, 1/2" Square x 1 1/2"		1
	033716	Sprocket Assembly, Drive WR7808		2
27	036718	Sprocket Weldment, Drive WR7808		1
28	F05008-9	Screw, 1/2-13 x 1" OP Nyl Insert Socket Set		2
29	S12249	Key, 1/2" x 1/2" x 3"		2
30	033254	DECAL, MOVING PARTS DANGER		1

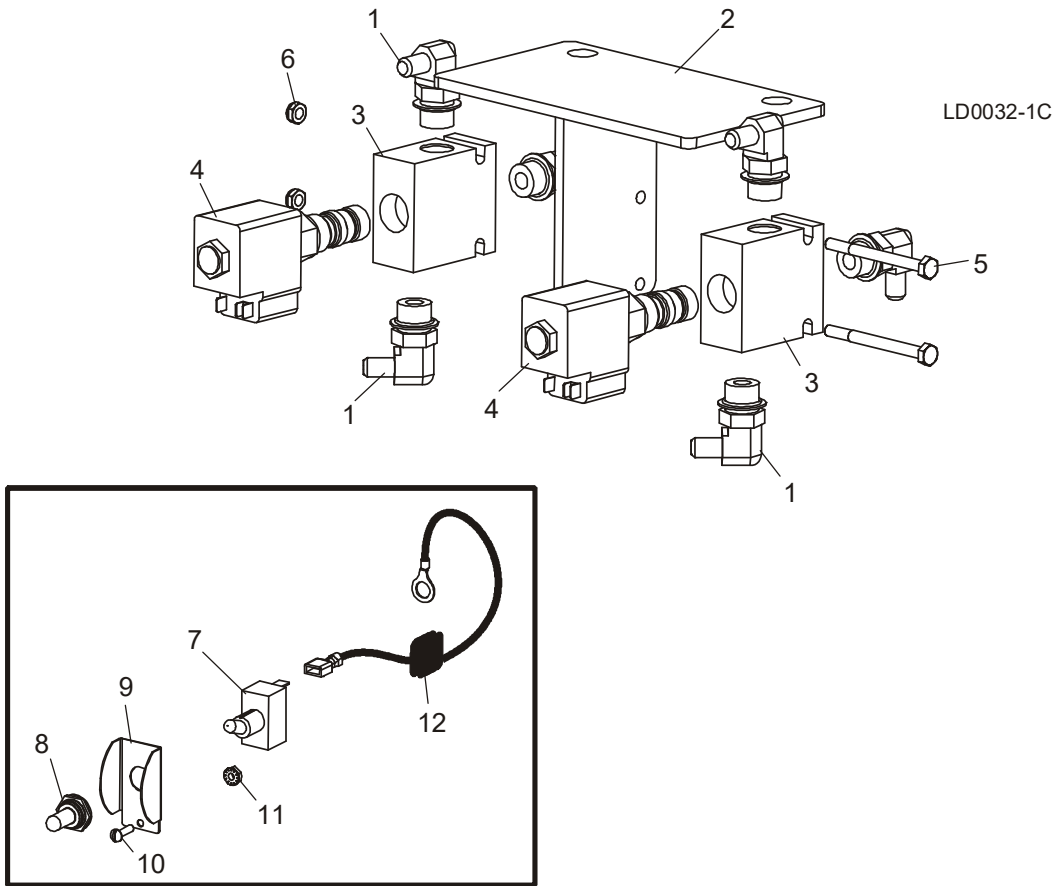
5.4 Drive Hydraulic Assembly



LD0066_1

REF	PART #	DESCRIPTION	COMMENTS	QTY.
	110218	DRIVE ASSEMBLY, HYDRAULIC LOG DECK		1
1	050101	Motor Mount Wldmt, Log Deck		1
2	130038	Motor, Eaton 104-5092-006 Hydraulic		1
3	F05008-102	BOLT, 1/2-13X2 HH GR5		4
4	F05010-8	Nut, 1/2-13 Nyl Hex Lock		4
5	F05009-2	BOLT, 5/8-11X2 HEX HD GR2, ZNt		4
6	F05011-40	Washer, 5/8 Standard Zinc Flat		4
7	F05010-34	Nut, 5/8-11 Nyl Lock		4
8	017640	Fitting, #10SAE x 3/8JIC		2
9	016816	Fitting, 3/8JIC Cap		2
10	074791	Sprocket, 80B9Hx1-1/4 Special		1
11	104686	Chain, #80 61 Links + 1 CL		1

5.5 Installation Kit (All LT40 Supers, LT50, & LT70HD non-Remote)

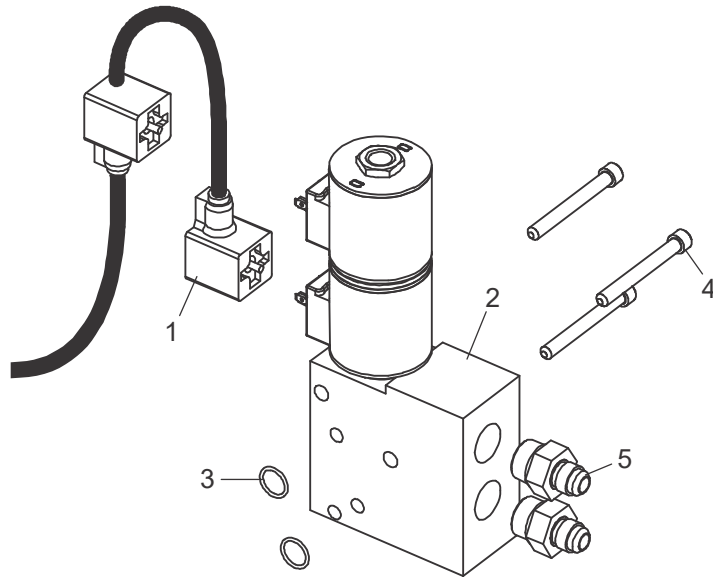


REF	PART #	DESCRIPTION	COMMENTS	QTY.
	LD70/40KIT	INSTALLATION KIT, LD70/40 LOG DECK		1
	074182	Hose, 3/8" Hydraulic w/Fittings CS 24" Long HP		2
	013994	Hose, 3/8" Hydraulic w/Fittings 84" HP		4
	074184	Hose, 3/8" Hydraulic w/Fittings CS 72" Long HP		2
	016540	Fitting, 3/8" JIC Union Small Hex		2
1	015907	Fitting, #8 SAE x 3/8" JIC Elbow		6
2	045866	Bracket Weldment, Hydraulic Valve Mount		1
3	045863	Valve Body, #8 SAE 3-Port		2
4	045865	Valve, Diverter Cartridge		2
5	F05006-56	Bolt, 1/4-20 x 3 1/2" Hex Head Grade 5		2
6	F05010-69	Nut, 1/4-20 Nylon Lock		2
	045864	Fitting, 3/8" NPT x 3/8" JIC Male Run T		2
	050991	Electrical Kit, LD70/40 Log Deck		1
7	P03027	Switch, 15A SPST .25 Tab Toggle		1
8	024589	Boot, Toggle Switch Sealing		1
9	019612	Guard, Toggle Switch		1
10	F05015-24	Screw, #6-32 x 1/2" Slotted Round Head		1
11	F05010-59	Nut, #6-32 Self-Locking Hex		1
12	051255	Fuseholder Assembly, LD70/40 4A		1
	024150-4	Fuse, 4A ATO Blade		1
	051259	Connector, 3-Wire Waterproof 22-14AWG Pigtail		2

REF	PART #	DESCRIPTION	COMMENTS	QTY.
	051253	Cable Assembly, LD 70/40 Main		1
	051254	Cable Assembly, LD 70/40 Command Control		1
	F05089-5	Tie Wrap, 5/16" x 15" UV Black		11
	F05089-8	Tie Wrap, 3/16" x 10" UV Black		5
	045818	Plate, Log Deck Adaptor		2

5.6 Installation Kit (LT70HD Super)

For LT70HD Super Rev. A1.00+

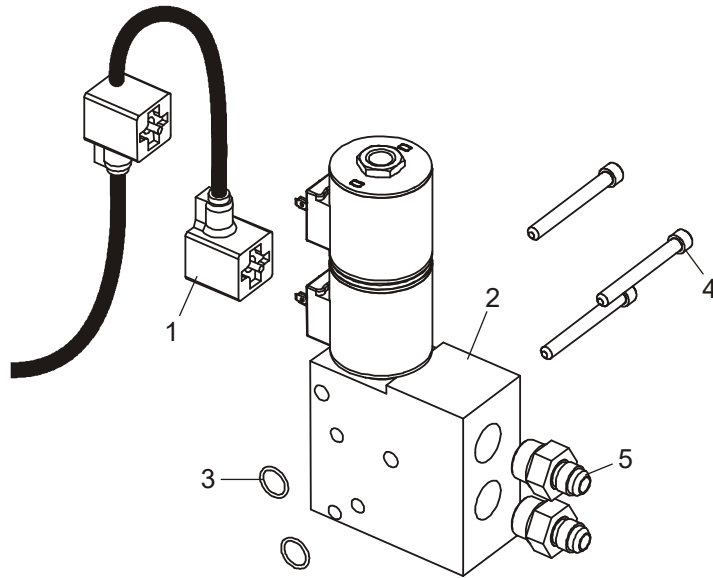


LD0063-3

REF	PART #	DESCRIPTION	COMMENTS	QTY.
	LD70-SUPERKIT	INSTALLATION KIT, LT70 SUPER LOG DECK		1
	074877	Hose Kit, Log Deck LD70-RKIT2		1
	042828	Hose, 3/8" Hydraulic w/2 Straight Fittings 72" Long (Cylinder-Loader)		4
	042828	Hose, 3/8" Hydraulic w/1 Straight-1 Elbow Fittings 144" Long (Valve-Hydraulic Motor)		2
	016540	Fitting, 3/8" JIC Union Small Hex		4
1	078110	Cable Assembly, LT70 Hydraulic Log Deck Solenoid		1
	036805	Valve Assembly, LT70 Log Deck		1
2	025826	Valve, 4-Way Closed 12V Hydraulic Add-on		1
3	036806	O-Ring, 1/16" Dia. x 5/8" OD		2
4	F05005-170	Screw, 1/4-20 x 2 1/4" Socket Head		3
5	P12703	Fitting, #8 SAE x #6 JIC		2
	045818	Plate, Log Deck Adaptor		2
	074744	Fluid, Univis HVI 26 Gallon Hydraulic		1
	M1024	Manual, Log Infeed Option		1

5.7 Installation Kit (LT70HD DCS)

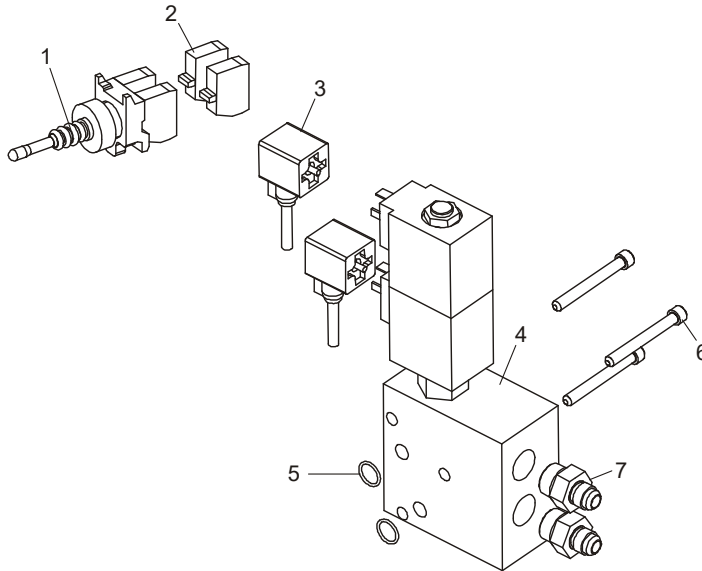
For LT70HD DCS Rev. B4.02+



LD0044-3B

REF	PART #	DESCRIPTION	COMMENTS	QTY.
	LD70-DCSKIT	INSTALLATION KIT, LT70 DCS LOG DECK		1
	074877	Hose Kit, Log Deck LD70-RKIT2		1
	042828	Hose, 3/8" Hydraulic w/2 Straight Fittings 72" Long (Cylinder-Loader)		4
	042828	Hose, 3/8" Hydraulic w/1 Straight-1 Elbow Fittings 144" Long (Valve-Hydraulic Motor)		2
	016540	Fitting, 3/8" JIC Union Small Hex		4
1	069626	Cable Assembly, Dual DIN A Valve DCS		1
	036805	Valve Assembly, LT70 Log Deck		1
2	025826	Valve, 4-Way Closed 12V Hydraulic Add-on		1
3	036806	O-Ring, 1/16" Dia. x 5/8" OD		2
4	F05005-170	Screw, 1/4-20 x 2 1/4" Socket Head		3
5	P12703	Fitting, #8 SAE x #6 JIC		2
	045818	Plate, Log Deck Adaptor		2
	006397	Fluid, Hydraulic HVI32 (Gal) All Weather		1
	M1024	Manual, Log Infeed Option		1

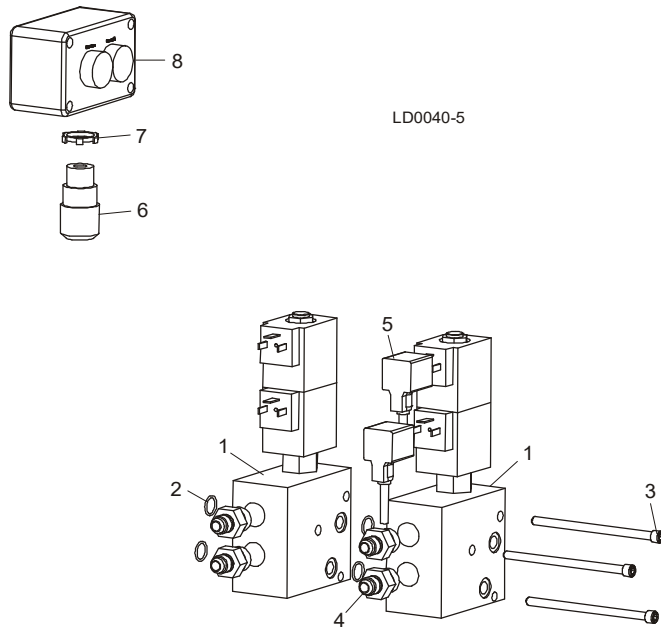
5.8 Installation Kit (LT70HD Remote)



LD0039-2B

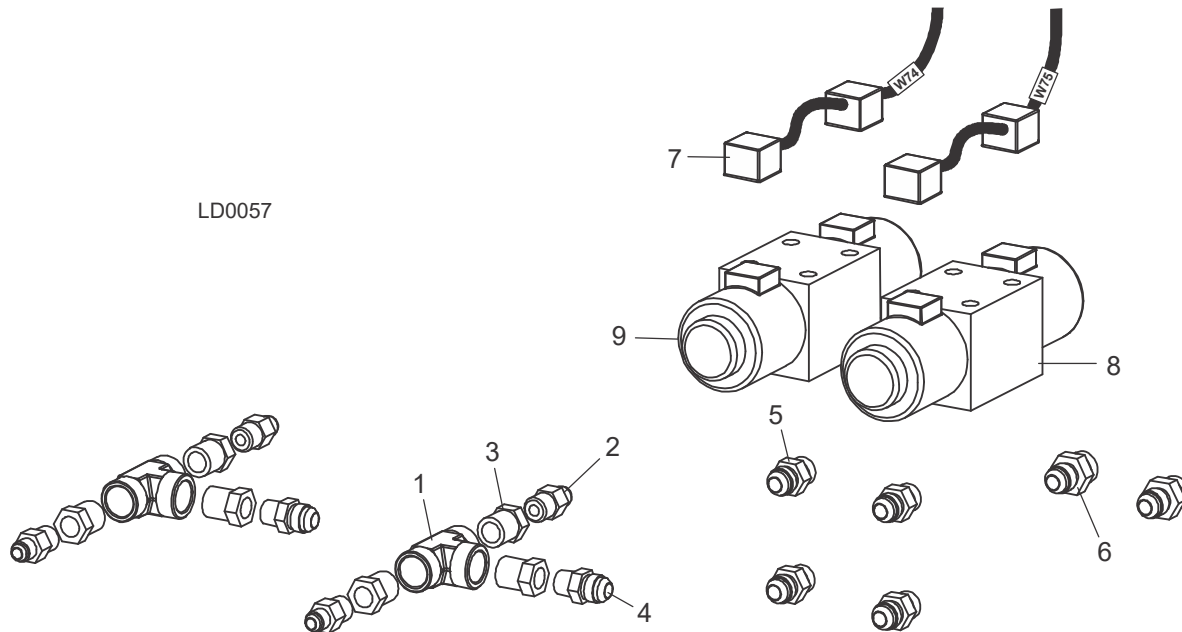
REF	PART #	DESCRIPTION	COMMENTS	QTY.
	LD70-RKIT2	INSTALLATION KIT, LT70-R LOG DECK (REV. A6.00+)	Use LD70-RKIT2 to install Log Deck to LT70HD Remote Rev. A6.00 and later. Use LD70-RKIT for LT70HD Remote with extra 8th valve port ((See Section 6.9)).	1
	074877	Hose Kit, Log Deck LD70-RKIT2		1
	042828	Hose, 3/8" Hydraulic w/2 Straight Fittings 72" Long (Cylinder-Loader)		4
	042828	Hose, 3/8" Hydraulic w/1 Straight-1 Elbow Fittings 144" Long (Valve-Hydraulic Motor)		2
	016540	Fitting, 3/8" JIC Union Small Hex		4
	050966	Electrical Kit, LT70-R Log Deck		1
1	050766	Switch, Joystick w/2 NO Contacts		1
2	052075	Contact, NO ZD4 PA103		2
3	050829	Plug Assembly, 2-Cond w/E GND DIN A 53950		2
	036805	Valve Assembly, LT70 Log Deck		1
4	025826	Valve, 4-Way Closed 12V Hydraulic Add-on		1
5	036806	O-Ring, 1/16" Dia. x 5/8" OD		2
6	F05005-170	Screw, 1/4-20 x 2 1/4" Socket Head		3
7	P12703	Fitting, #8 SAE x #6 JIC		2
	045818	Plate, Log Deck Adaptor		2
	006397	Fluid, Hydraulic HVI32 (Gal) All Weather		1
	M1024	Manual, Log Infeed Option		1

5.9 Installation Kit (LT300/WM3000/WM3500)



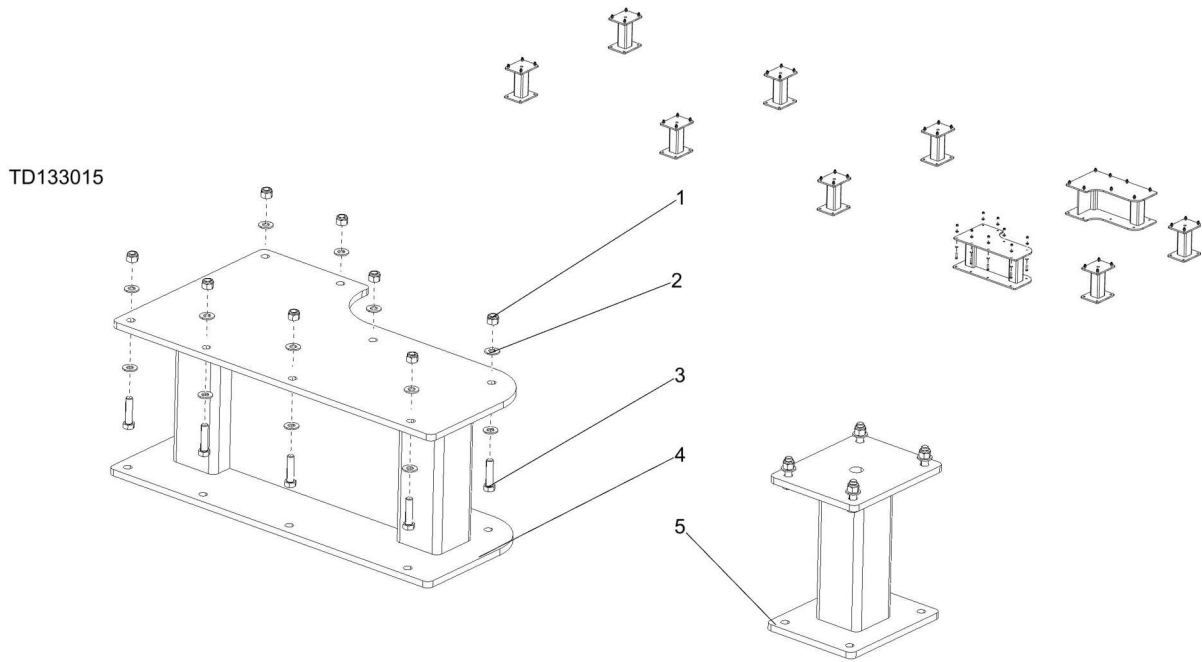
REF	PART #	DESCRIPTION	COMMENTS	QTY.
	LD300KIT3	INSTALLATION KIT, LT300 LOG DECK (REV. B3+)		1
	025987	Hose, 3/8" Hydraulic w/Fittings 48" HP		4
	074185	Hose, 3/8" Hydraulic w/Fittings CS 212" Long HP		2
	025983	Hose, 3/8" Hydraulic w/Fittings 292" HP		2
	015487	Fitting, 3/8" JIC 'T'		2
	036825	Valve Assembly, Log Deck Add-On		1
1	025827	Valve, 24V Hydraulic Add-On 4-Way Closed		2
	045820	Valve, Hi-Flow Floating Center Hydraulic		1
	051556	Valve, 4-Way Hydraulic		1
	051558	Coil, 24V Hydraulic #CAP-024D		2
2	036806	O-Ring, .070" Dia. x 5/8" OD		4
3	F05005-171	Screw, 1/4-20 x 4 1/4" Socket Head		3
4	P12703	Fitting, 8 SAE x 3/8" JIC		4
	052916	Electrical Kit, LT300 Log Deck		1
5	024923	Cable, 5M Form A DIN 24VDC w/LED Plug		2
6	E23492	Connector, .125 - .375 1/2" Hub Cord		4
7	E20461	Nut, 1/2" #141 Lock		4
8	053213	Control Box, Log/Deck Forward/Reverse		1

5.10 Installation Kit (WM4000)



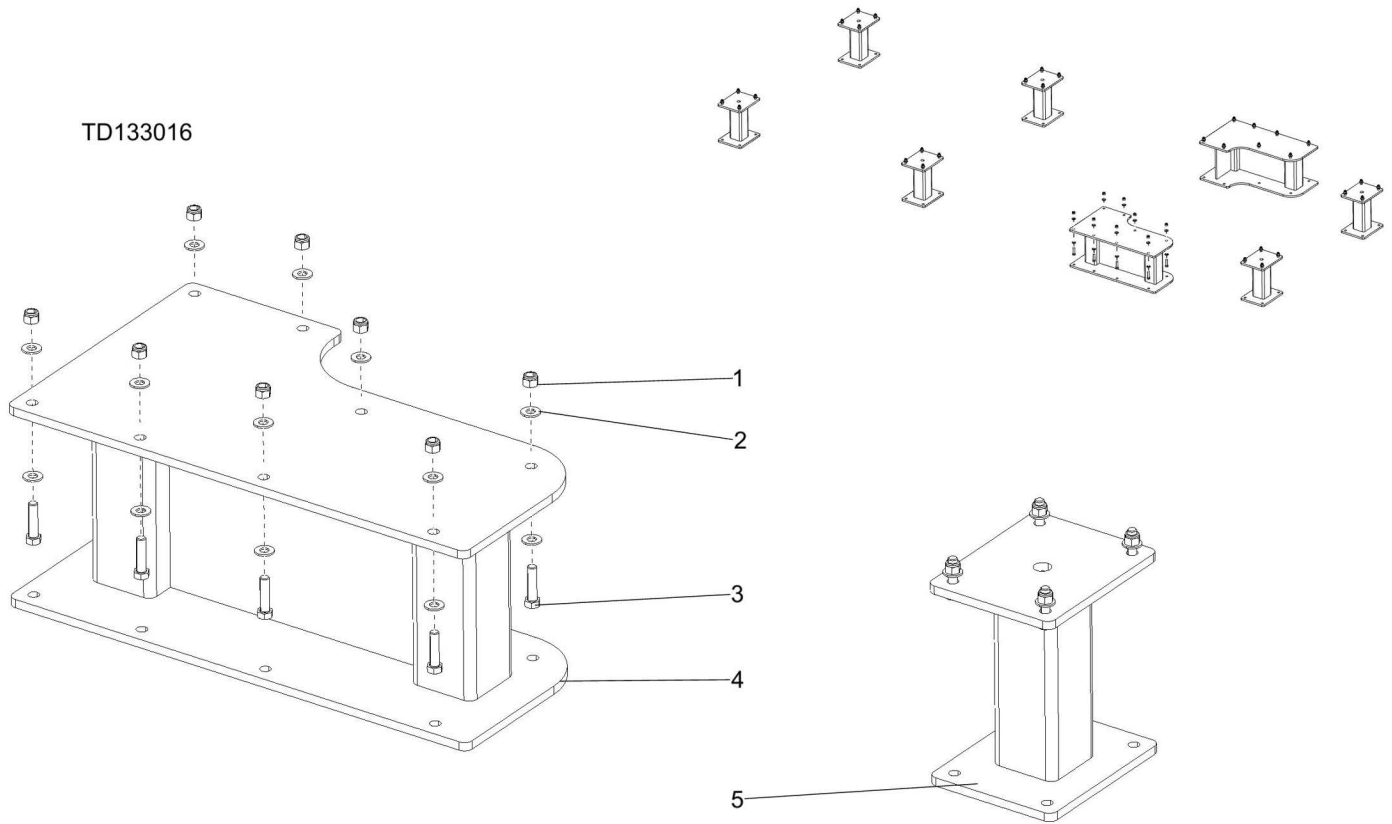
REF	PART #	DESCRIPTION	COMMENTS	QTY.
	LD4000KIT	INSTALLATION KIT, WM4000 LOG DECK		1
	074184	Hose, 3/8" Hydraulic w/Fittings CS 72" Long HP		4
	074186	Hose, 3/8" Hydraulic w/Fittings CS 310" Long HP		4
	074031	Fitting Assembly, WM4000 LD Cylinder Hose "T"		2
1	016793	Fitting, 1/2" NPT Female Tee		1
2	016819	Fitting, 3/8" NPT-3/8" JIC Male Connector		2
3	028073	Fitting, 1/2" NPT x 3/8" NPT Hex Reducer		3
4	036822	Fitting, 3/8" NPT-#8 JIC Male Connector		1
5	028076	Fitting, #8SAE-#8 JIC		4
6	025963	Fitting, #10 SAE-#8 JIC		2
7	068211	Control Assembly, Industrial Mill Log Deck	Available in assemblies only.	1
8	074100	Valve, D05SD-2F-24D-35 Hyvair Hydraulic (Chain Forward/Reverse)		1
9	074101	Valve, D05SD-2B-24D-35 Hyvair Hydraulic (Arms Up/Down)		1
	F05089-5	Tie Wrap, 5/16" x 15 UV Black		20

5.11 LD20 12" and 24" Lift Kits (Optional)



REF	PART #	DESCRIPTION	COMMENTS	QTY.
	133015	KIT, LD20 12" LIFT KIT		1
	133022	KIT, LD20 24" LIFT KIT		1
1	F05010-8	Nut, 1/2-13 Nyl Hex Lock		48
2	F05011-2	Washer, 1/2 SAE Flat		96
3	F05009-106	Bolt, 1/2-13x2 HHFT GR8 Znc		48
4	133012	Weldmnt, Infeed Deck Foot 12" Lift		2
	133021	Wldmnt, Infeed Deck Foot 24" Lift		2
5	133010	Weldmnt, 12" Lift Tube		8
	133020	Wldmnt, 24" Lift Tube		8

5.12 LD12 12" and 24" Lift Kits (Optional)



REF	PART #	DESCRIPTION	COMMENTS	QTY.
	133016	KIT, LD12 12" LIFT KIT		1
	133023	KIT, LD12 24" LIFT KIT		1
1	F05010-8	Nut, 1/2-13 Nyl Hex Lock		40
2	F05011-2	Washer, 1/2 SAE Flat		80
3	F05009-106	Bolt, 1/2-13x2 HHFT GR8 Znc		40
4	133012	Weldmnt, Infeed Deck Foot 12" Lift		2
	133021	Wldmnt, Infeed Deck Foot 24" Lift		2
5	133010	Weldmnt, 12" Lift Tube		6
	133020	Wldmnt, 24" Lift Tube		6