

Shingle/Lap Sider

Safety, Operation, Maintenance, & Parts Manual

SLR

rev. A.00-G1.03

Safety is our #1 concern!

February 2022

Form #903

**For use with LT15* through LT70 models and for
LX* models.**

* LT15 and LX models requires an adapter kit



**WARNING! Read and understand this
manual before using this machine.**

California

Proposition 65 Warning



WARNING: Breathing gas/diesel engine exhaust exposes you to chemicals known to the State of California to cause cancer and birth defects or other reproductive harm.

Always start and operate the engine in a well-ventilated area.
If in an enclosed area, vent the exhaust to the outside.
Do not modify or tamper with the exhaust system.
Do not idle the engine except as necessary.

For more information go to www.P65warnings.ca.gov.



WARNING: Drilling, sawing, sanding or machining wood products can expose you to wood dust, a substance known to the State of California to cause cancer. Avoid inhaling wood dust or use a dust mask or other safeguards for personal protection.

For more information go to www.P65Warnings.ca.gov/wood.

Active Patents assigned to Wood-Mizer, LLC

Wood-Mizer, LLC has received patents that protect our inventions which are a result of a dedication to research, innovation, development, and design. Learn more at: woodmizer.com/patents

©2024 Wood-Mizer LLC

Printed in the United States of America, all rights reserved. No part of this manual may be reproduced in any form by any photographic, electronic, mechanical or other means or used in any information storage and retrieval system without written permission from

Wood-Mizer, LLC
8180 West 10th Street
Indianapolis, Indiana 46214

SECTION 1 SAFETY

1.1 Safety Symbols 1-1

SECTION 2 INSTALLATION

2.1 Assembly..... 2-1
2.2 Installation and Setup..... 2-2
2.3 Installation and Setup (revision A.00 through F1.01)..... 2-3

SECTION 3 LT15 INSTALLATION

3.1 LT15 Rev. E6.04+..... 3-1
3.2 LT15 Rev. E4.00 - E6.03 3-1
3.3 LT15 Rev. A0.00 - E3.03..... 3-2

SECTION 4 LX INSTALLATION

4.1 LX25/LX55 4-1
4.2 LX150/LX250..... 4-3

SECTION 5 SHINGLE OPERATION

5.1 Shingle setup 5-1
5.2 Shingle cutting operation 5-2

SECTION 6 LAP SIDING OPERATION

6.1 Lap siding setup 6-1

SECTION 7 REPLACEMENT PARTS

7.1 Frame 1 7-1
7.2 Frame 2 7-3
7.3 Frame 3 7-4
7.4 LT15 Adapters 7-5
7.5 LX 25/55 Adapters..... 7-6
7.6 LX 150/250 Adapter 7-7
7.7 LT15 Auxiliary Bed Rail 7-8
7.8 Shingle Lap Siding Resaw (revision A.00-F.01) 7-9

SECTION 1 SAFETY

The Shingle/Lap Siding Option (SLR) (see FIG. 2-1) creates tapered shingles or siding with your Wood-Mizer sawmill.

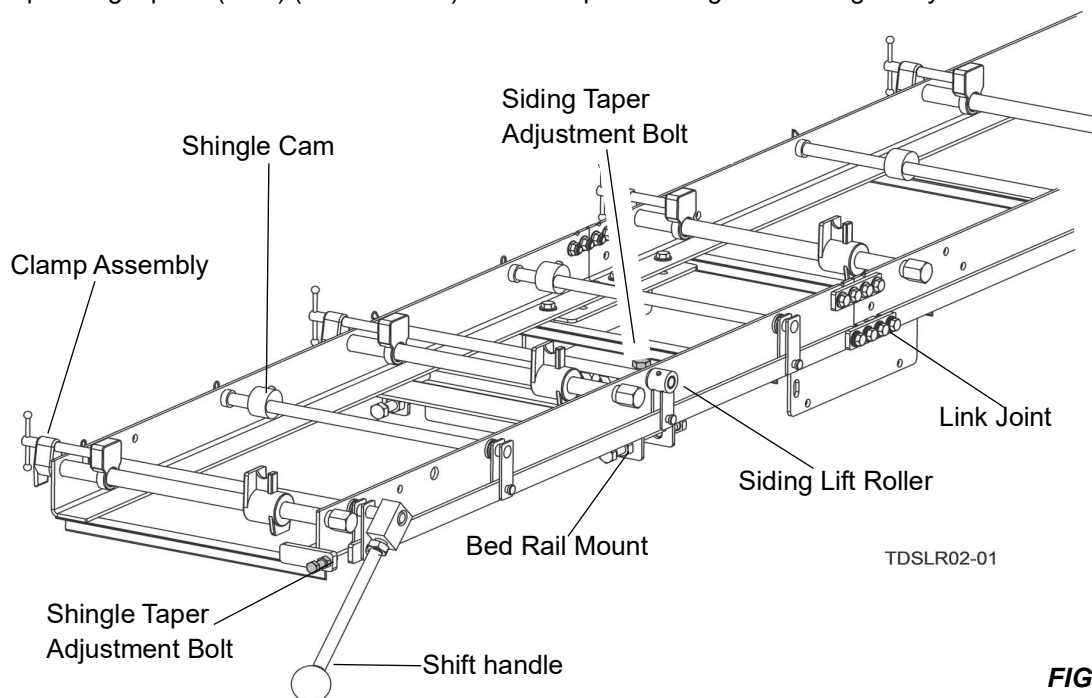


FIG. 1-1

1.1 Safety Symbols

The following symbols and signal words call your attention to instructions concerning your personal safety. Be sure to observe and follow these instructions.



DANGER! indicates an imminently hazardous situation which, if not avoided, will result in serious injury or death.



WARNING! suggests a potentially hazardous situation which, if not avoided, could result in serious injury or death.



CAUTION! refers to potentially hazardous situations which, if not avoided, may result in minor or moderate injury or damage to equipment.

NOTICE indicates vital information.



WARNING! Clean sawdust from all areas where sawdust may gather **after every 8-hour shift**. Failure to do so may result in fire, causing death or serious injury



SETUP SAFETY



WARNING! Do not use if the mill is set up on ground with more than a 10 degree incline. An incline could cause the mill to tip over.

Use a lifting device (fork lift, crane, etc.) for parts over 100 lbs.

Use two persons for lifting parts over 50lbs.

Keep all non-essential personnel out of the area while setting up the equipment.



SECTION 2 INSTALLATION

WARNING! Turn the base unit's power to OFF, remove the key, and disconnect the battery ground terminal, if applicable.

On electric equipment, **lock out power supply** before performing any installation. See Electrical Lockout Procedures (OSHA regulation 1910.147, appendix A reprinted in the Operator's Manual).

Ensure your unit is on a level surface and secure from movement.

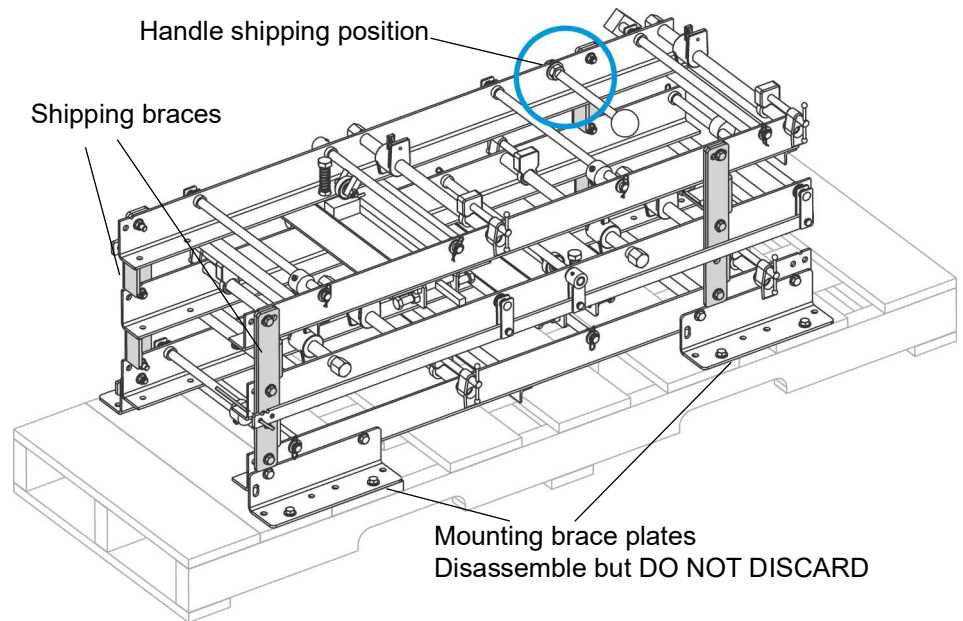


FIG. 2-1

2.1 Assembly

1. Uncrate the SLR; discard the shipping braces (total 8) and fasteners. See FIG. 2-1.

| | Part | Part number | Qty |
|-------------------------------|----------------------------|-------------|-----|
| | SLR Fastener Kit | 130832 | 1 |
| Fastener bag contains: | Bolt, 3/8-16x1 Gr5 HH | F05007-87 | 32 |
| | Washer, 3/8 Flat SAE | F05011-3 | 40 |
| | Nut, 3/8-16 Flanged Nylock | F05010-222 | 32 |
| | Washer, 3/8 Split Lock | F05011-4 | 8 |
| | Bolt, 3/8-16x3/4 Gr5 | F05007-118 | 8 |
| | Nut, 5/8-18 Hex jam | F05010-11 | 1 |
| | Knob, 5/8-18 Ball | P04211 | 1 |
| | Plate, SLR Link Arm Joint | 128328 | 6 |

Lay out the frames as shown in FIG.2-2 to attach plates as shown in FIGs. 2-2 and 2-3

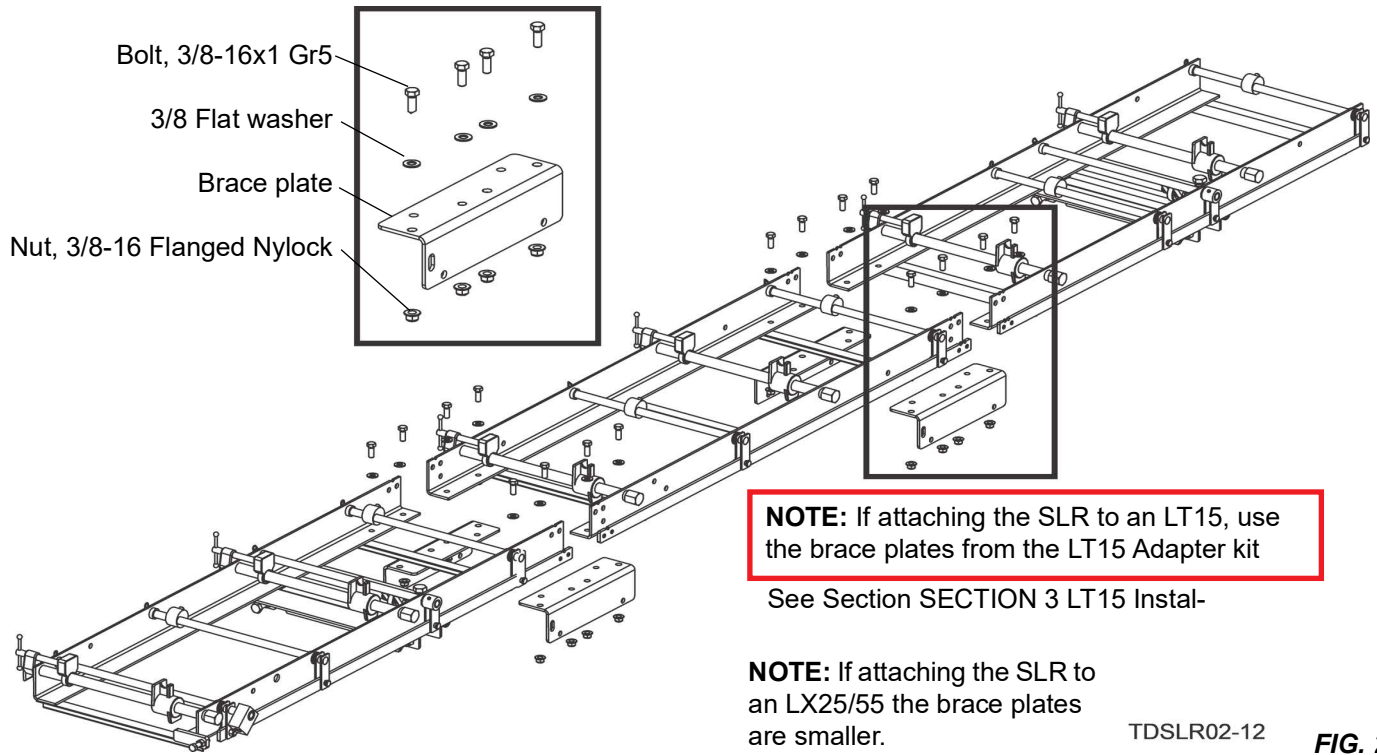


FIG. 2-2

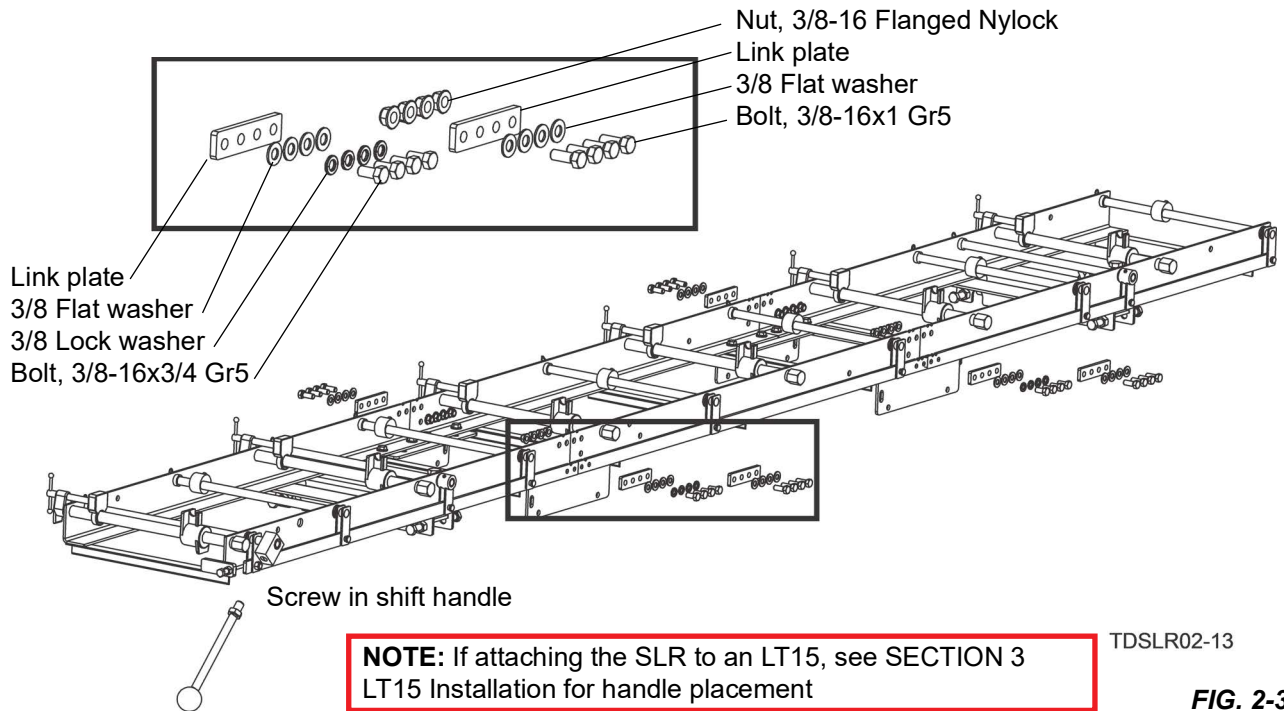


FIG. 2-3

2.2 Installation and Setup



WARNING! Use a lifting device (fork lift, crane, etc.) for parts over 100 lbs.

Use two persons for lifting parts over 50lbs.¹

1. Position the sawhead upward, out of the way.
2. Lower all log supports.

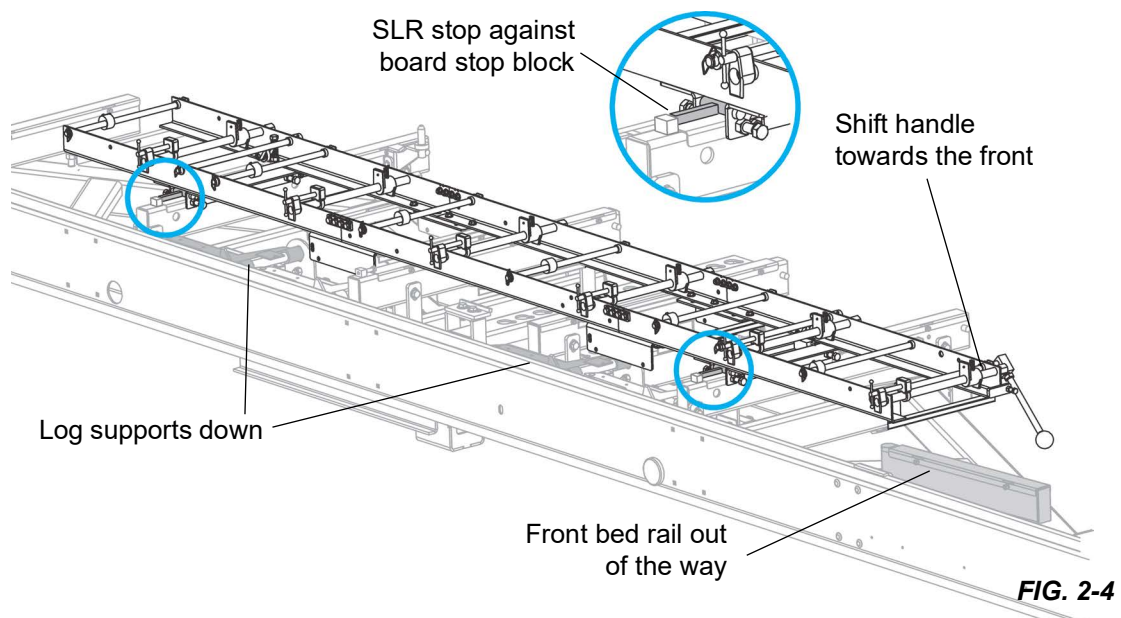


3. Move front pivoting bed rail parallel to the bed frame.

4. Position the SLR on the mill bed with the mounting brackets around the front and rear bed rails.

a. Position the shift handle at the front end of the mill.

b. Ensure the SLR frame is lying flat on the bed rails.



NOTICE: DO NOT tighten the clamp bolts on the bed rails.

The SLR bed must be able to move during operation. The clamp bolts should only be tightened before towing the sawmill with the SLR attached.

5. Slide the SLR frame all the way over toward the inboard side of the sawmill bed until the SLR stops touch the bed rail stop blocks.

2.3 Installation and Setup (revision A.00 through F1.01)

1. Position the SLR on the mill bed with the mounting brackets around the front and rear bed rails.

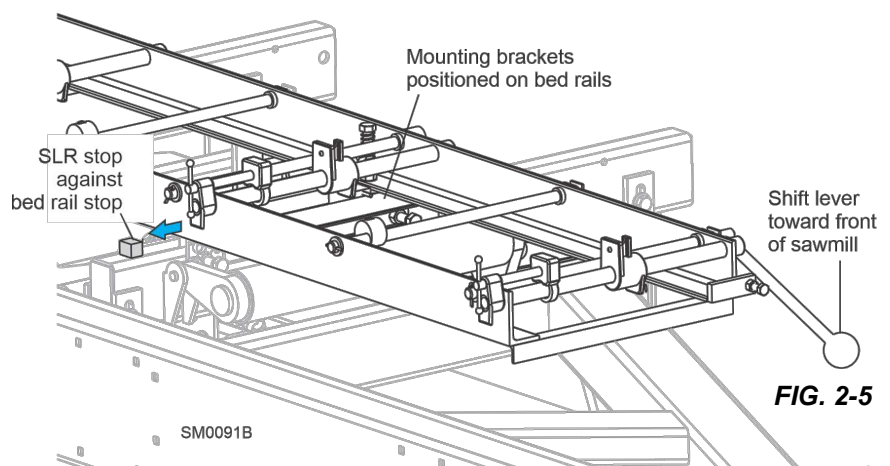
The shift lever should be at the front end of the mill.

2. Make sure the SLR frame is lying flat on the bed rails.

3. DO NOT tighten the clamp bolts on the bed rails.

The clamp bolts should only be tightened before towing the sawmill with the SLR attached.

4. Slide the SLR frame all the way over toward the inboard side of the sawmill bed until the SLR stops touch the bed rail stop blocks.



1. For more information on lifting safety see *NOISH Lifting Equation* at <https://www.cdc.gov/niosh/docs/94-110/>

SECTION 3 LT15 INSTALLATION

WARNING! Turn the base unit's power to OFF, remove the key, and disconnect the battery ground terminal, if applicable.

On electric equipment, lock out power supply before performing any installation. See Electrical Lockout Procedures (OSHA regulation 1910.147, appendix A reprinted in the Operator's Manual).

Ensure your unit is on a level surface and secure from movement.

3.1 LT15 Rev. E6.04+

(Bed Sections Rev. G.00+): Kit SLRKIT-LT15.1 is required to mount the SLR.

1. Place the rail adapter on the second and third bed rails of the first bed section as shown in FIG. 3-1.
2. Slide the adapter against the bed rail stop blocks.

NOTE: If the adapter contacts the log support first, raise the support to the height of the adapter and use the log support as the side starting point.

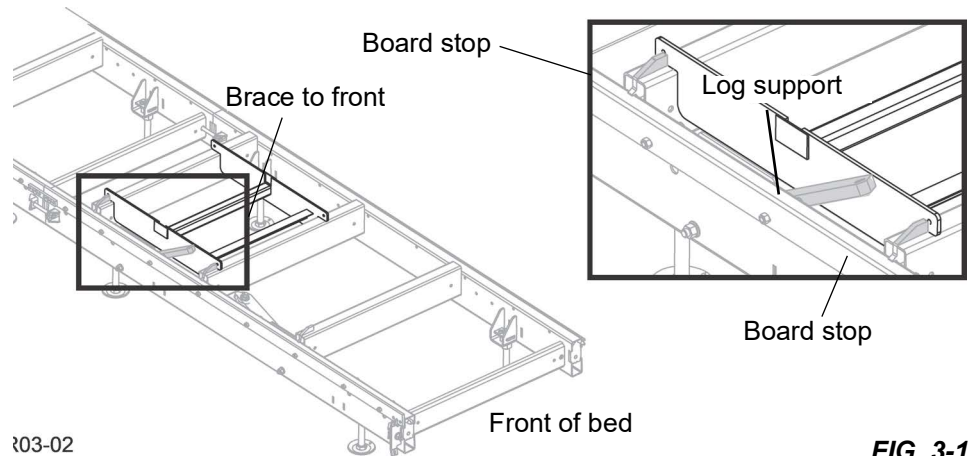


FIG. 3-1

3. Relocate the SLR shift handle to avoid interference with the front bed rail. See FIG. 3-2

- a. Unbolt and unpin the handle shaft from the frame.
- b. Unbolt and unpin the cam shaft.
- c. Remove the cam from the cam shaft.
- d. Slide the handle shaft in former position of the cam shaft, sliding the cam on the shaft while inserting.
- e. Bolt and pin the handle shaft to the frame.
- f. Slide the cam shaft in former position of the handle shaft.
- g. Bolt and pin the cam shaft to the frame.

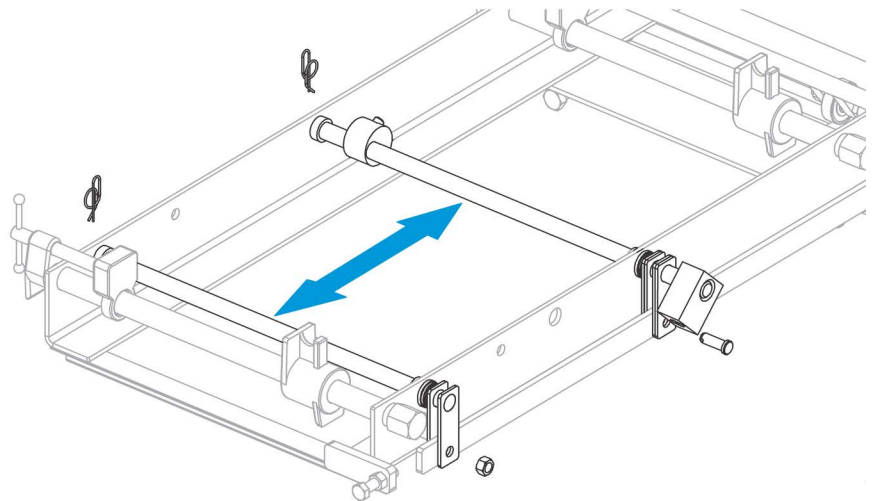


FIG. 3-2

4. Position the SLR on the bed with the shift handle toward the front of the sawmill.
5. Push the SLR stops against the rail adapter.
6. Screw in the handle to the handle shaft.
7. Continue SLR set up. See [Section SECTION 5 Shingle Operation](#) or [Section SECTION 6 Lap Siding Operation](#).

3.2 LT15 Rev. E4.00 - E6.03

(Bed Sections Rev. E.00 - F.00): Kit SLRKIT-LT15 is required to mount the SLR.

1. Place the rail adapter on the last bed rail of the second bed section as shown.
2. Adjust the stop bolt against the frame tube.
3. Install the stop block to the last bed rail of the first bed section and tighten the clamp bolt.
4. Position the SLR on the bed with the shift handle toward the front of the sawmill.
5. Push the SLR stops against the rail adapter and stop block.

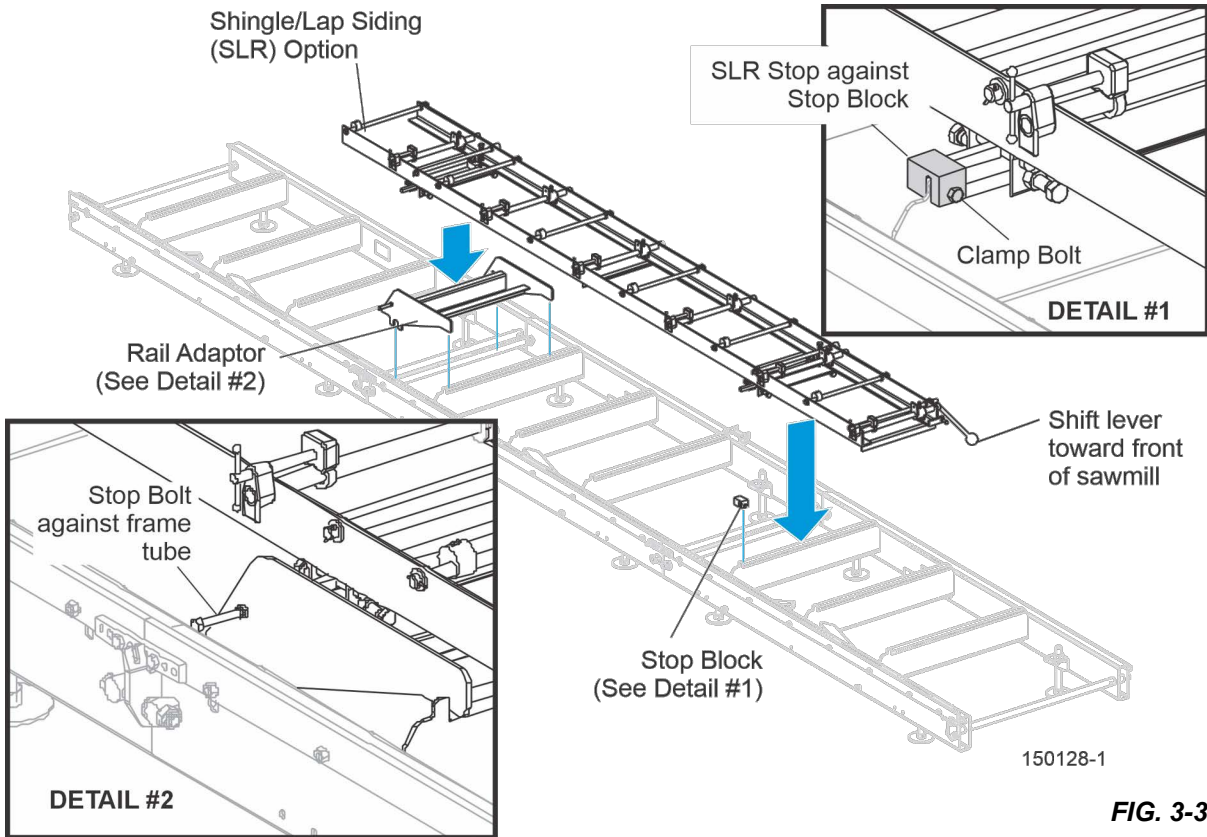


FIG. 3-3

3.3 LT15 Rev. A0.00 - E3.03

(Bed Sections Rev. A0.00 - D.06): Auxiliary bed rail (part number 016037) needed.

1. Mount the auxiliary bed rail near the end of the middle bed section as shown (See LT15 manual for details).
2. Position the SLR on the bed with the shift handle toward the front of the sawmill.

Push the SLR stops against the bed rail stop blocks.

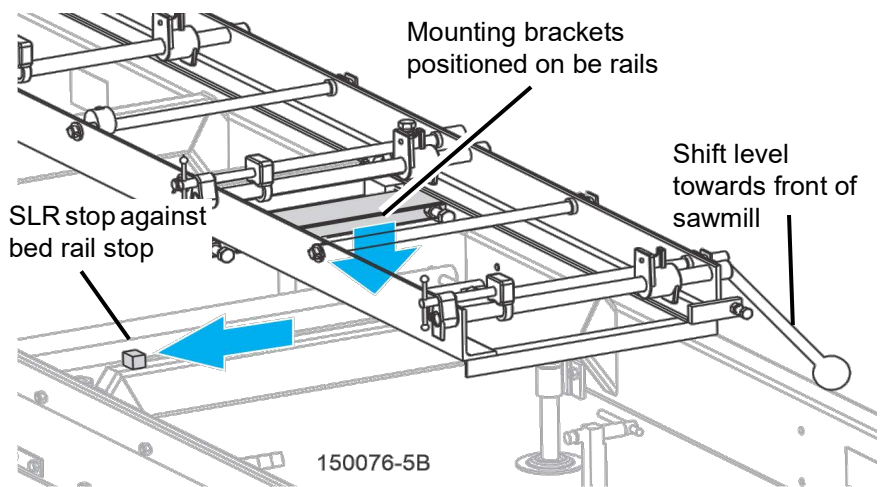


FIG. 3-4

SECTION 4 LX INSTALLATION

4.1 LX25/LX55

1. Mount the front section of the adapter kit ([See Section 7.5](#)).
2. Remove the bolts, two on each side.
3. Replace those (marked in red) from the plate that connects the first and the second bed section to longer one from kit, as shown in [Section FIG. 4-1](#).
4. Install the rear kit in the last bed section, as shown in [Section FIG. 4-2](#).

IKIT-LX25-LX55
5/55_4

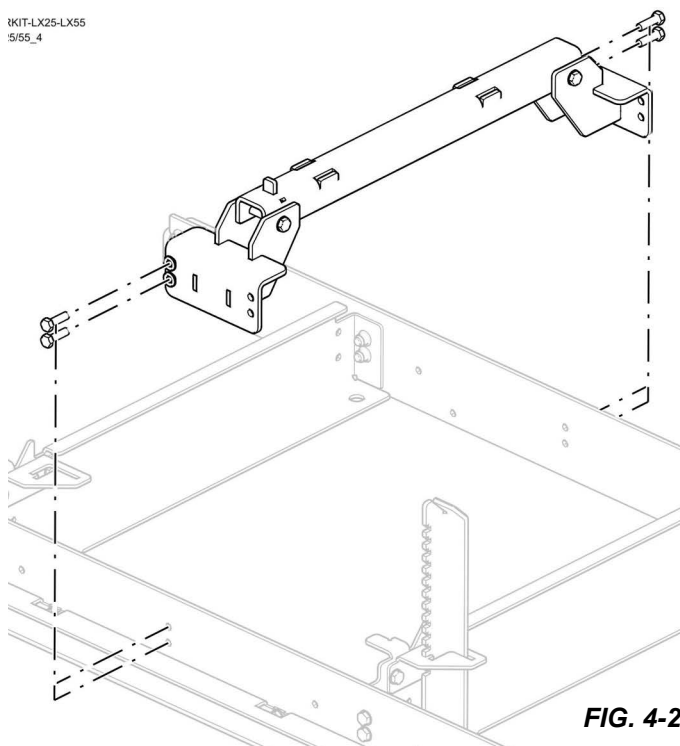


FIG. 4-2

5. Position the SLR on the bed with the shift handle toward the front of the sawmill.

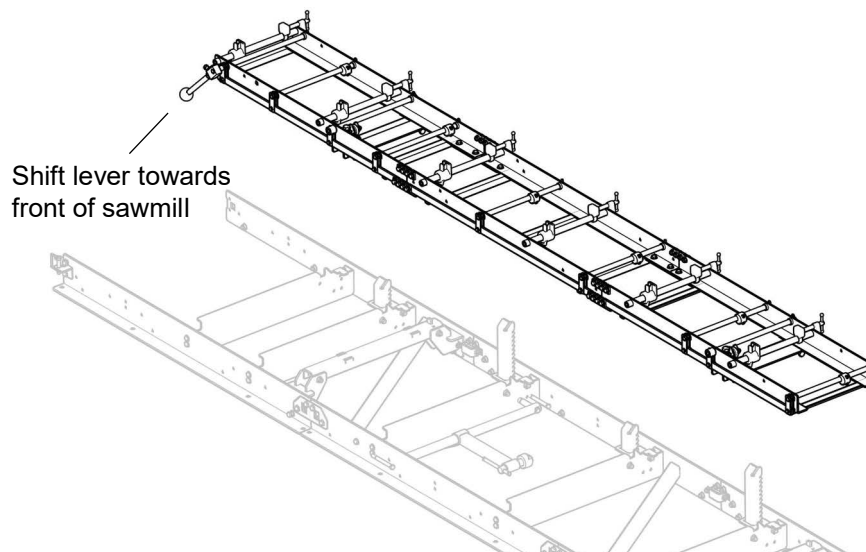


FIG. 4-3

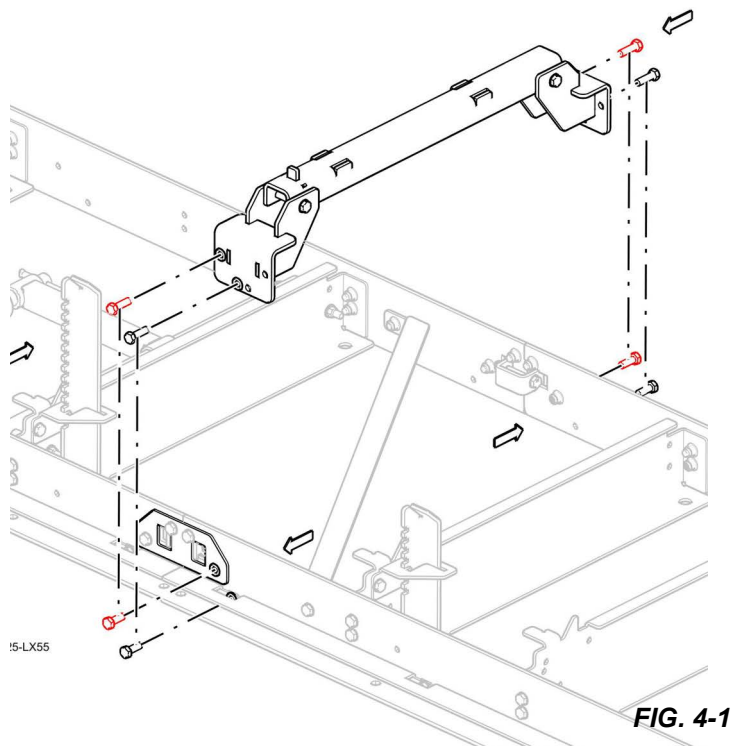


FIG. 4-1

6. Secure SLR with the bolts in front, [Section FIG. 4-4](#)

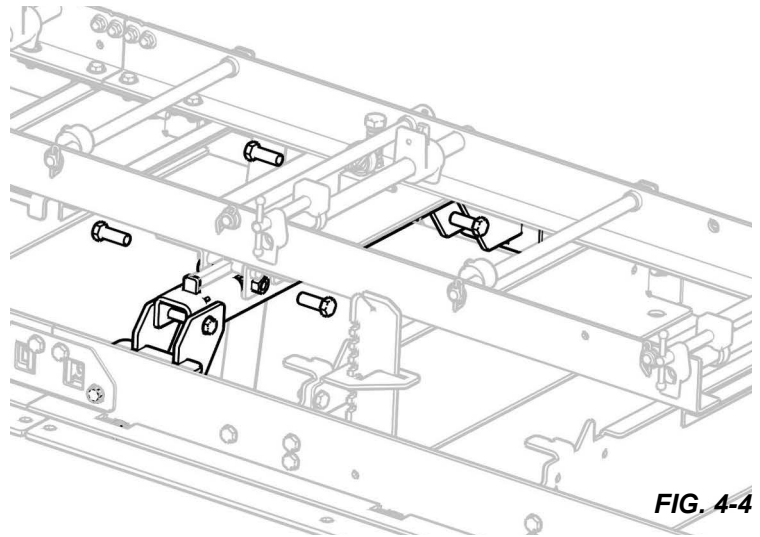


FIG. 4-4

7. Secure SLR in rear, [Section FIG. 4-5](#)

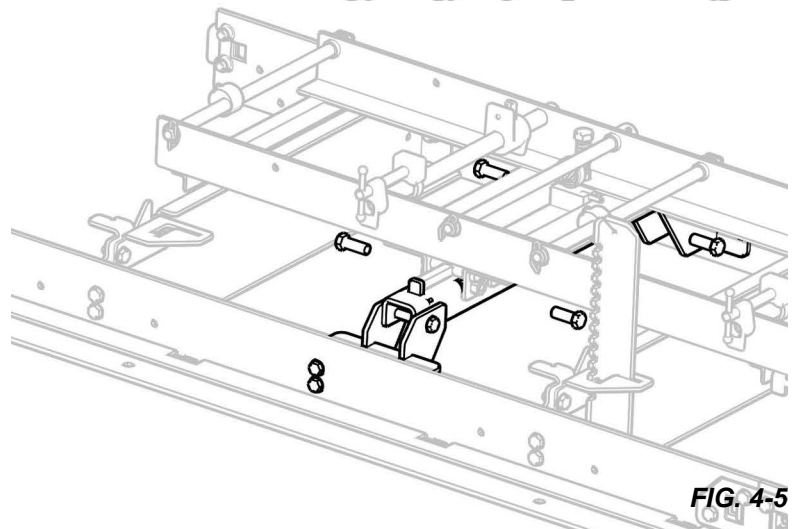


FIG. 4-5

4.2 LX150/LX250

1. Mount the adapter kit ([See Section 7.6](#)) (only one in rear) on the last bed section and secure it with the bolts, as shown below.

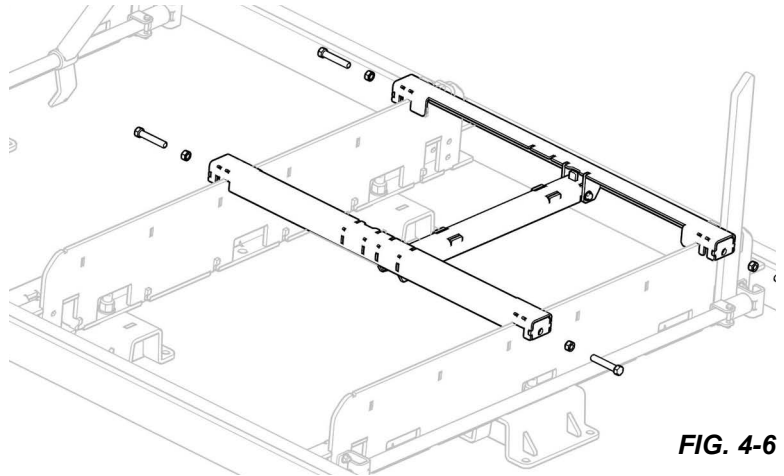


FIG. 4-6

2. Position the SLR on the bed with the shift handle toward the front of the sawmill.

Shift lever towards
front of sawmill

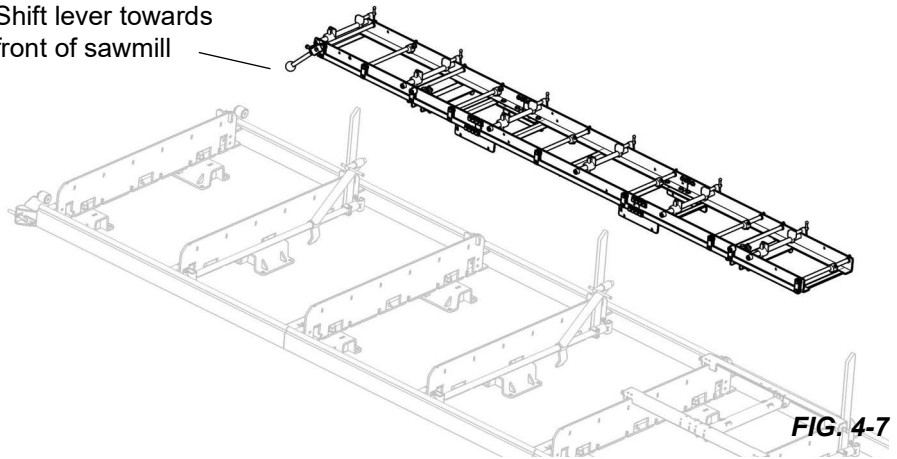


FIG. 4-7

3. Secure SLR with the bolts as shown [FIG. 3-12](#).

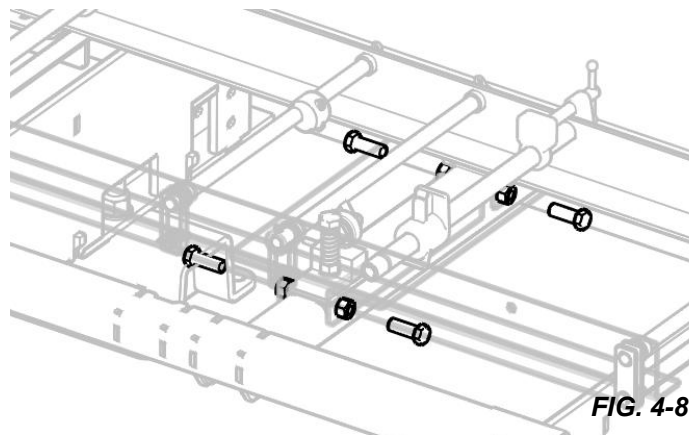


FIG. 4-8

SECTION 5 SHINGLE OPERATION

5.1 Shingle setup

| Shingle Block Size | | | |
|--------------------|-----|-----|--------|
| Length | max | 24" | 610 mm |
| | min | 14" | 355 mm |
| Width | max | 12" | 305mm |
| Height | max | 12" | 305 mm |

1. Install the SLR to the sawmill bed. See [SECTION 2 Installation](#).
2. Position the **siding** taper adjustment bolts fully down (clockwise) until you can spin the siding lift rollers by hand. See FIG. 5-1.

NOTE: The lift rollers should not tilt the SLR frame when the shift handle is thrown.

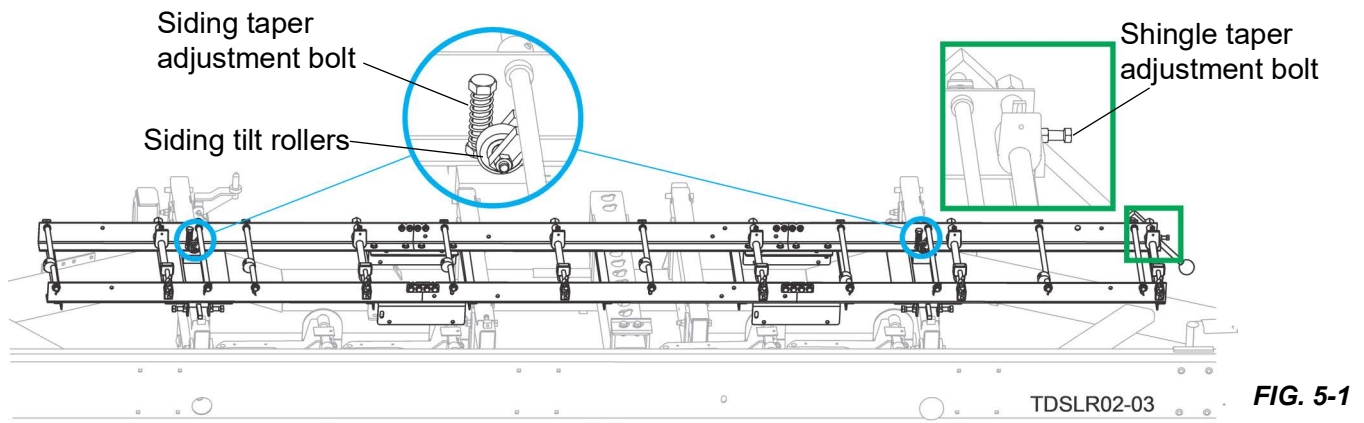


FIG. 5-1

NOTE: If not already done so, position the cams **approximately 1.5 inches away** from the frame to prevent necessary Cams loosened -- hanging heavy side down -- retightened

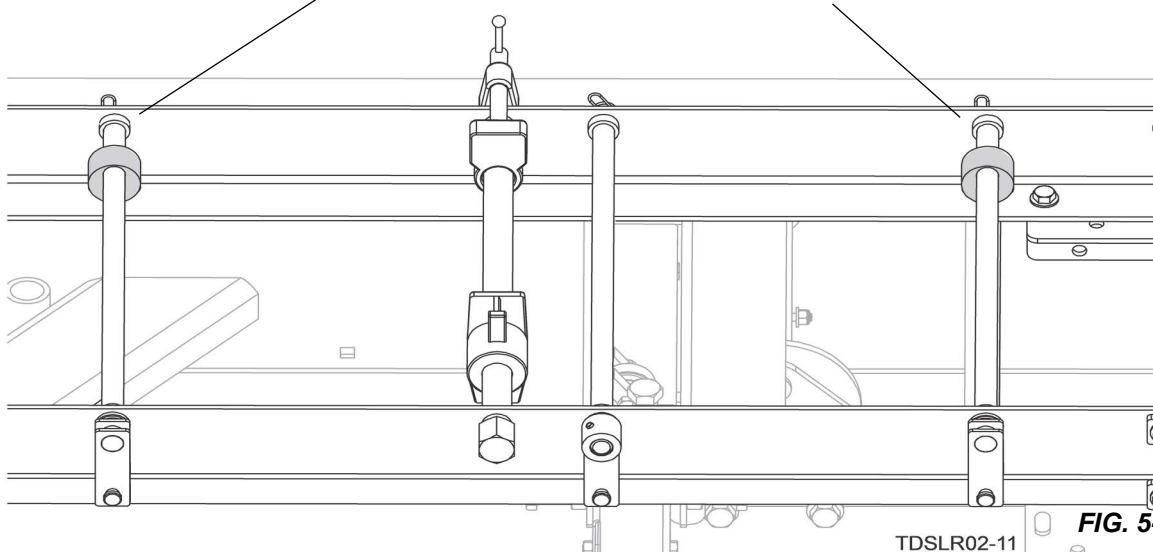
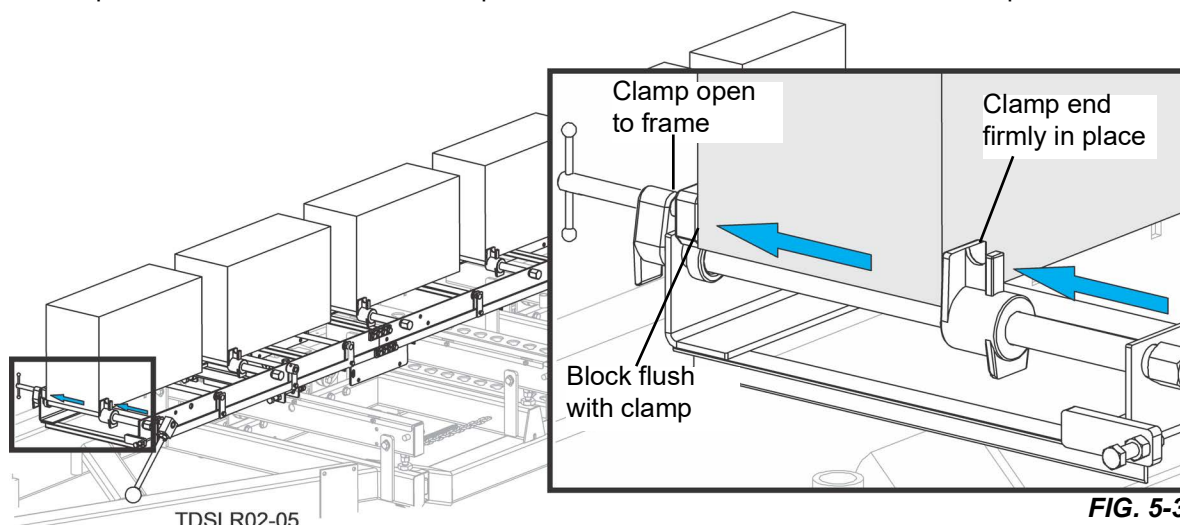


FIG. 5-2

realignment between lap siding and shingle use.

Adjust the inner clamps as close to the SLR frame as possible to ensure the rear of the blocks are positioned over the



cams. See FIG. 5-3.

3. Clamp up to six shingle blocks, one over each cam. See FIG. 5-3.
4. Turn the clamp handle clockwise to firmly clamp the block in position to prevent movement during operation.
5. Lower the shift handle.
6. Make a trim cut across all the blocks to even them out.
7. Calculate the desired shingle size:

Thick end - Thin end = Cut setting

Example:
For a shingle 1/8" at the thin end, and 5/8" at the thick end:

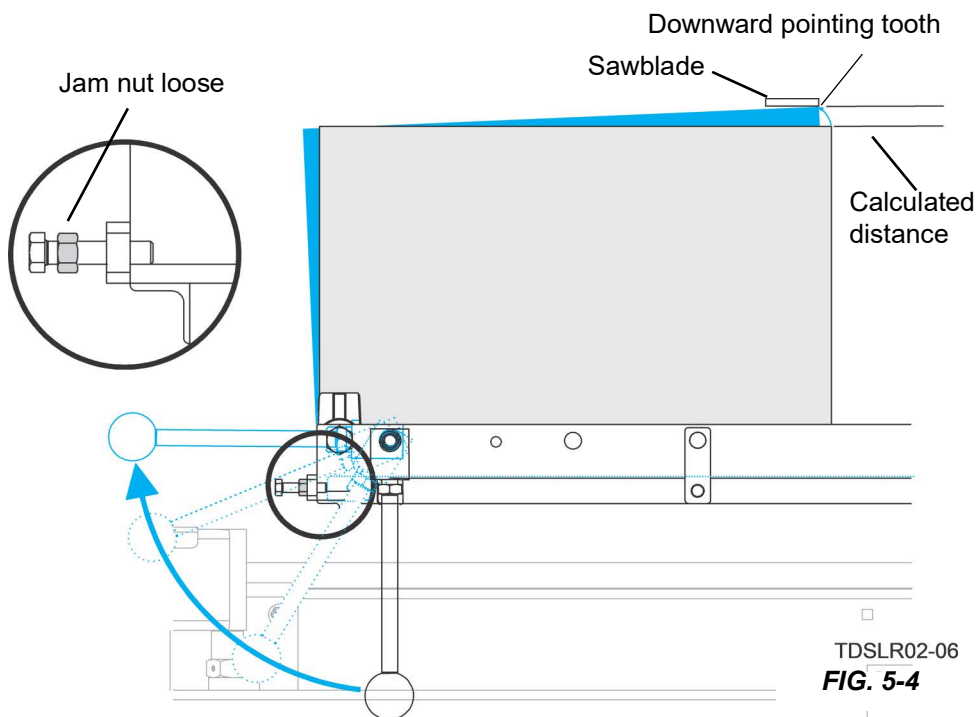
$$5/8" - 1/8" = 4/8" (1/2")$$

Set the block tilt for 1/2".

8. Raise the blade the calculated height.
9. Set the saw blade over a trimmed block.
10. Position the blade at the end of the first block.

NOTE: Double check the blade position. Measure from a **downward pointing sawtooth**.

11. Adjust the shingle taper adjustment bolt in until it contacts the shift handle linkage.
12. Set the jam nut on the shingle taper adjustment bolt.



5.2 Shingle cutting operation



WARNING! Follow all safety and operating procedures stated in the operation manual for your mill.

1. Lower the shift handle completely downward.
2. Make one trim cut to level all the blocks.
3. Lower the blade the thickness of the **thin end** of the shingle.
4. Raise the shift handle.
5. Make a cut and return the carriage.

NOTE: Each shingle should match tapers to the setting you want. If they don't match, repeat step 2 above.

6. Push the shift handle down and lower the blade the thickness of the **thick end** of the shingle.
7. Make a cut and return the carriage.
8. Repeat steps 3 - 7 down to the heart of the cants.
9. Unclamp the cants, flip 180°, and reclamp.
10. Continue sawing down as low as the SLR clamps will allow.

SECTION 6 LAP SIDING OPERATION

6.1 Lap siding setup

To cut tapered siding, a single cant is clamped in the SLR. The siding taper adjustment bolts are adjusted up so the lifting rollers tilt the SLR frame. When the shift handle is thrown, the SLR frame tilts sideways.

NOTE: Maximum cant width is 12" (304.8 mm) and 12 ft long.

1. Install the SLR to the sawmill bed. See [SECTION 2 Installation](#).
2. Adjust the **shingle** taper adjustment bolt to 1/4". See FIG.5-1, [Section SECTION 5 Shingle Operation](#).

This will stop the shift handle when the lift rollers reach their maximum height.

3. Adjust the **siding** taper adjustment bolts all the way up so they do not lift the SLR frame from the bed rails.
4. Adjust the inner clamp halves inside the shingle cams to avoid interference with the cant.

NOTE: To saw cants wider than 10", the cams must be adjusted out of the way.

5. Be sure to mark each cam location so it can be returned to its original position for sawing shingles.
6. Loosen the cam set screws and slide the cam along the shaft.
7. Reset the cams according to [Section SECTION 5 Shingle Operation](#).
8. Position the cant so it is centered in the SLR frame.

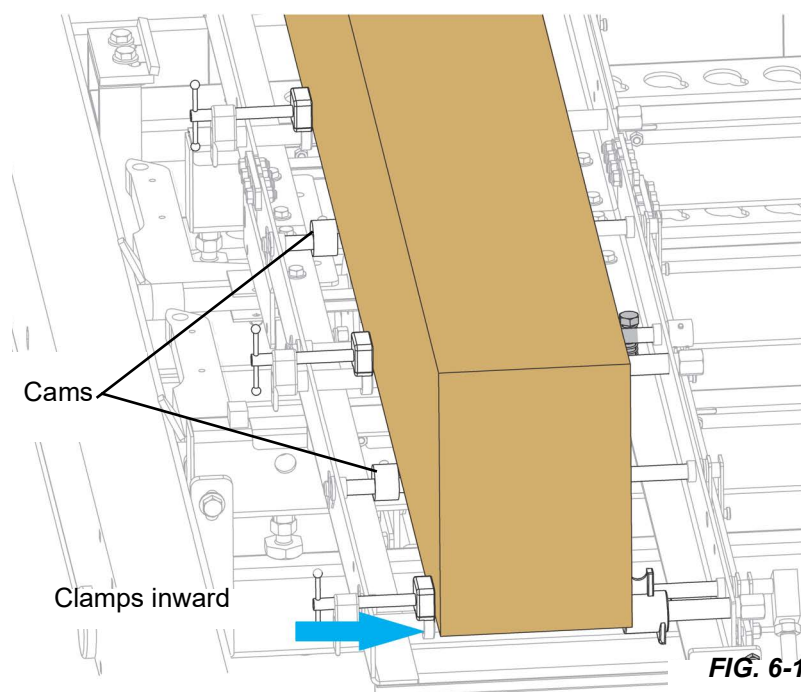


FIG. 6-1

9. Tighten the front clamp to secure one end of the cant.
10. Slide the outer clamp half in until it contacts the block.
11. Turn the clamp handle clockwise to firmly clamp the block in position.
12. Be sure the block is securely clamped so the block will not come loose while being cut.

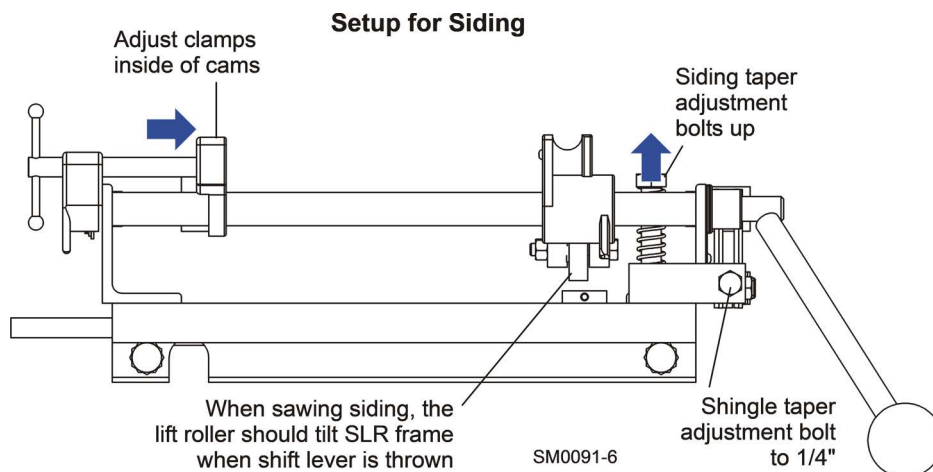
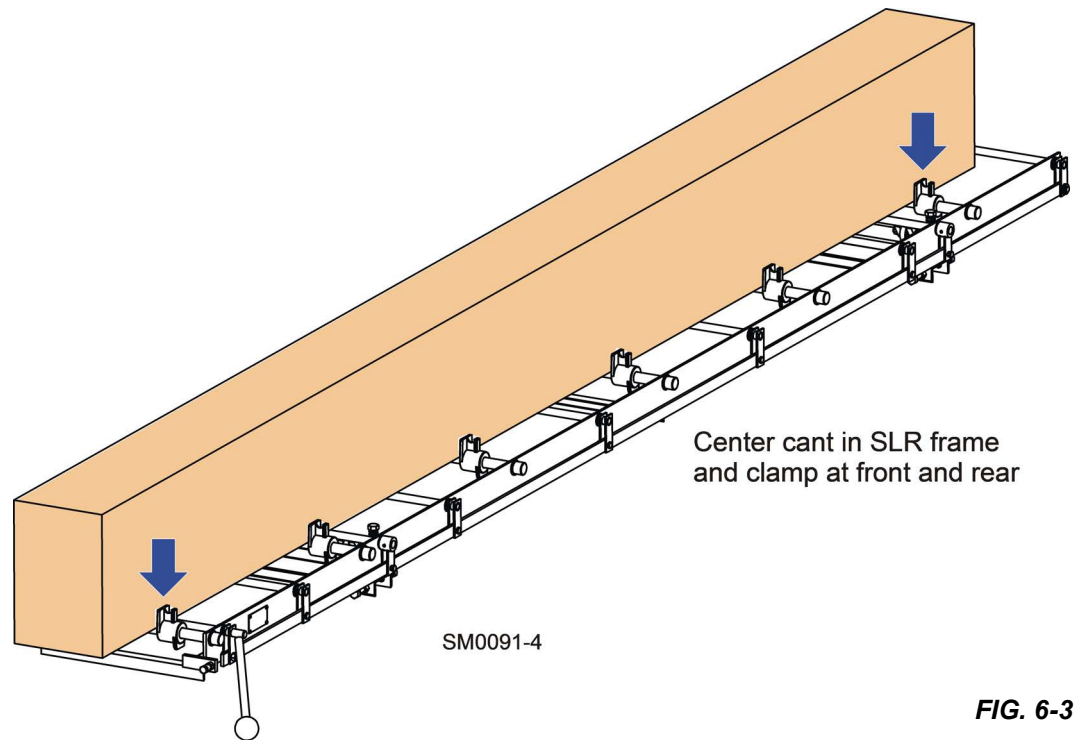


FIG. 6-2

13. Repeat the procedure to clamp the rear of the cant.

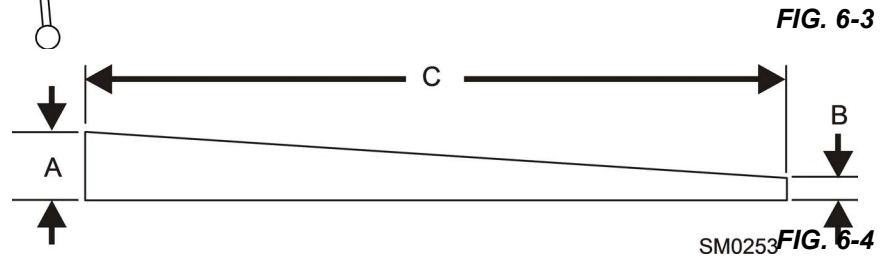


14. Calculate the dimensions of the siding you want to cut.

The amount of taper is limited by how wide the cant is.

| Width (C) | Max. Taper (A - B) |
|-----------|--------------------|
| 4" | 3/16" |
| 6" | 5/16" |
| 8" | 7/16" |
| 10" | 9/16" |
| 12" | 11/16" |

TABLE 6-1



15. Before adjusting the SLR for the amount of siding taper, pull the shift handle up and make a trim cut to level the cant.
16. Move the blade so it is positioned even with the top of the cant.
17. Push the shift handle down and measure the amount of taper.
18. Adjust the front siding taper adjustment bolt down to adjust the amount of taper.

For example: If you want to cut siding that is 1/8" on one end and 5/16" on the other end, adjust the SLR for 3/16" taper ($5/16" - 1/8" = 3/16"$). Repeat this procedure at the rear of the cant with the rear siding taper adjustment bolt.



WARNING! Follow all safety and operating procedures explained in the sawmill operator's manual when using the SLR.

19. Lower the saw head the thickness of the thin end (B) of the siding.

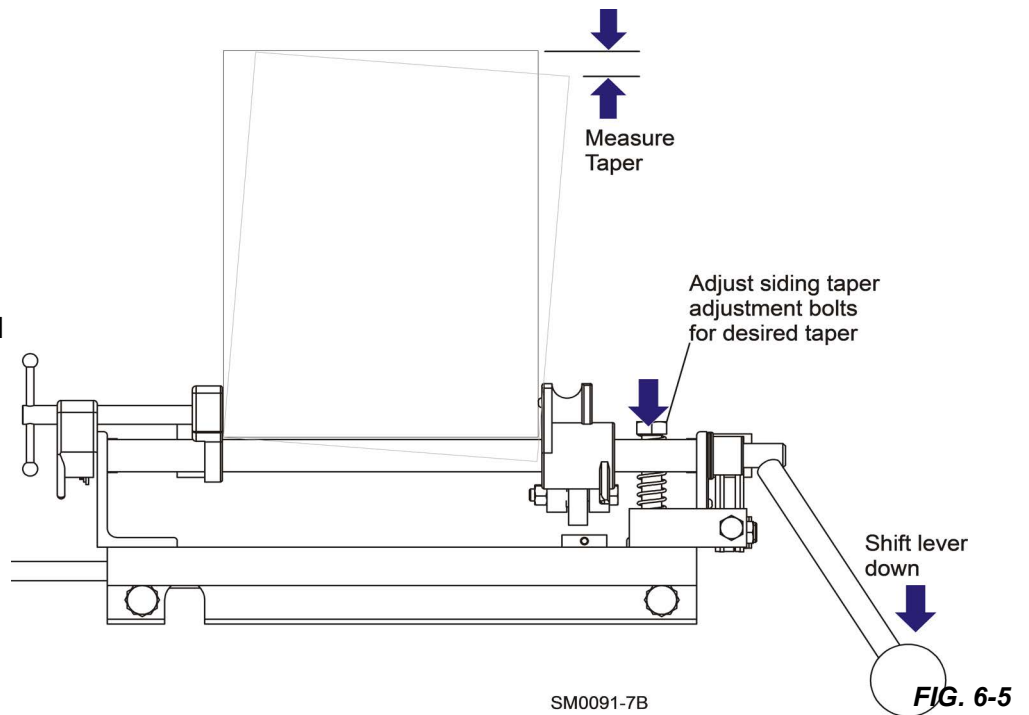
(In our example above, the first drop would be 5/16".)

20. Make a cut and return the carriage.
21. Check the taper of the board. If adjustment is necessary, repeat Step 16 above.

22. Pull the shift handle up and lower the saw head the thickness of the thick end plus the thickness of the thin end plus the thickness of the blade ($B + A + \text{Blade Thickness}$).

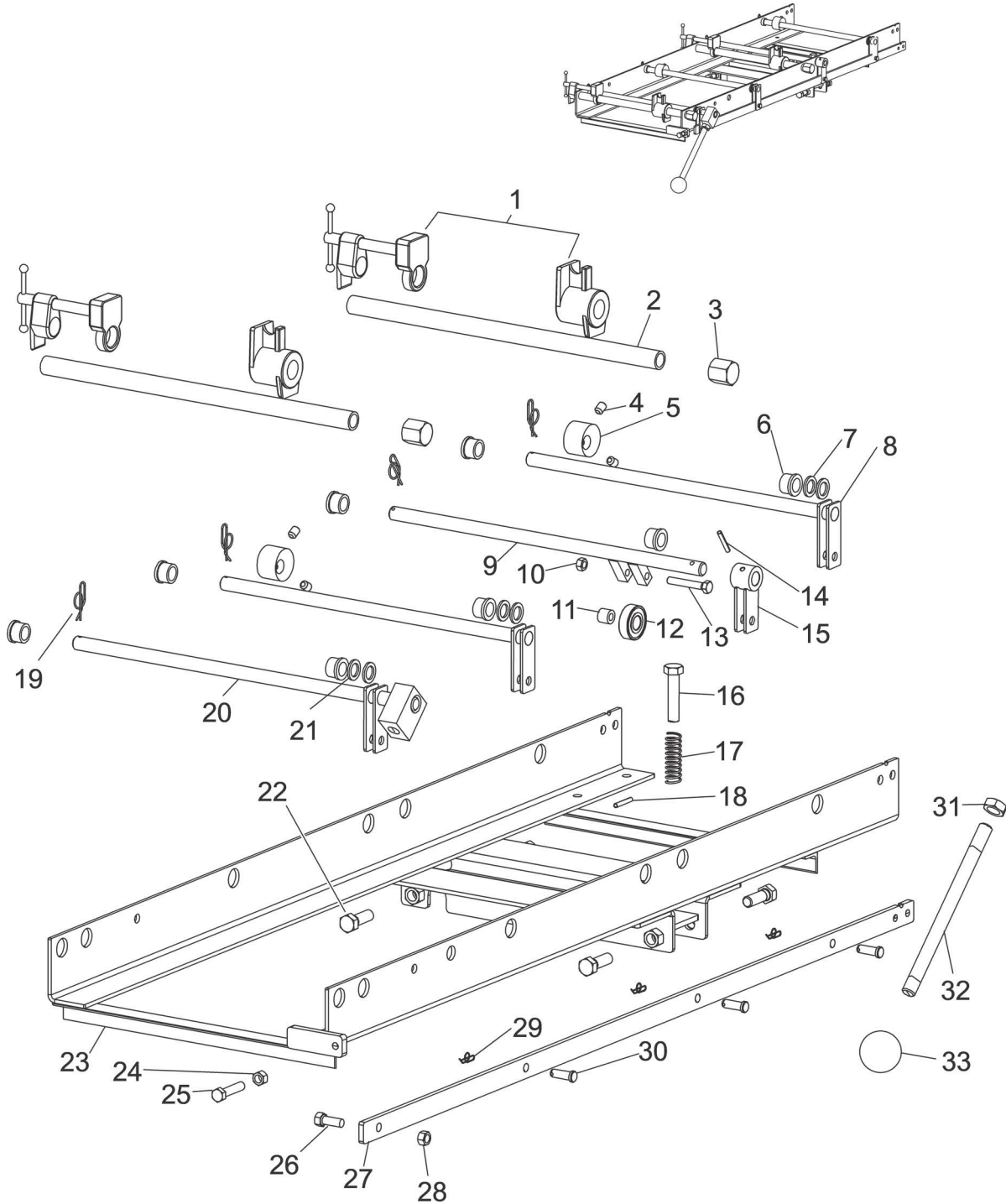
Allowing for a 3/16" blade thickness in the example above, the second drop would be 5/8" ($5/16" + 1/8" + 3/16"$).

23. Make a cut and return the carriage.
24. Repeat Steps 19 - 23 down to the heart of the cant.
25. Unclamp the cant, flip 180° and reclamp.
26. Continue sawing down as low as SLR clamps will allow.



SECTION 7 REPLACEMENT PARTS

7.1 Frame 1



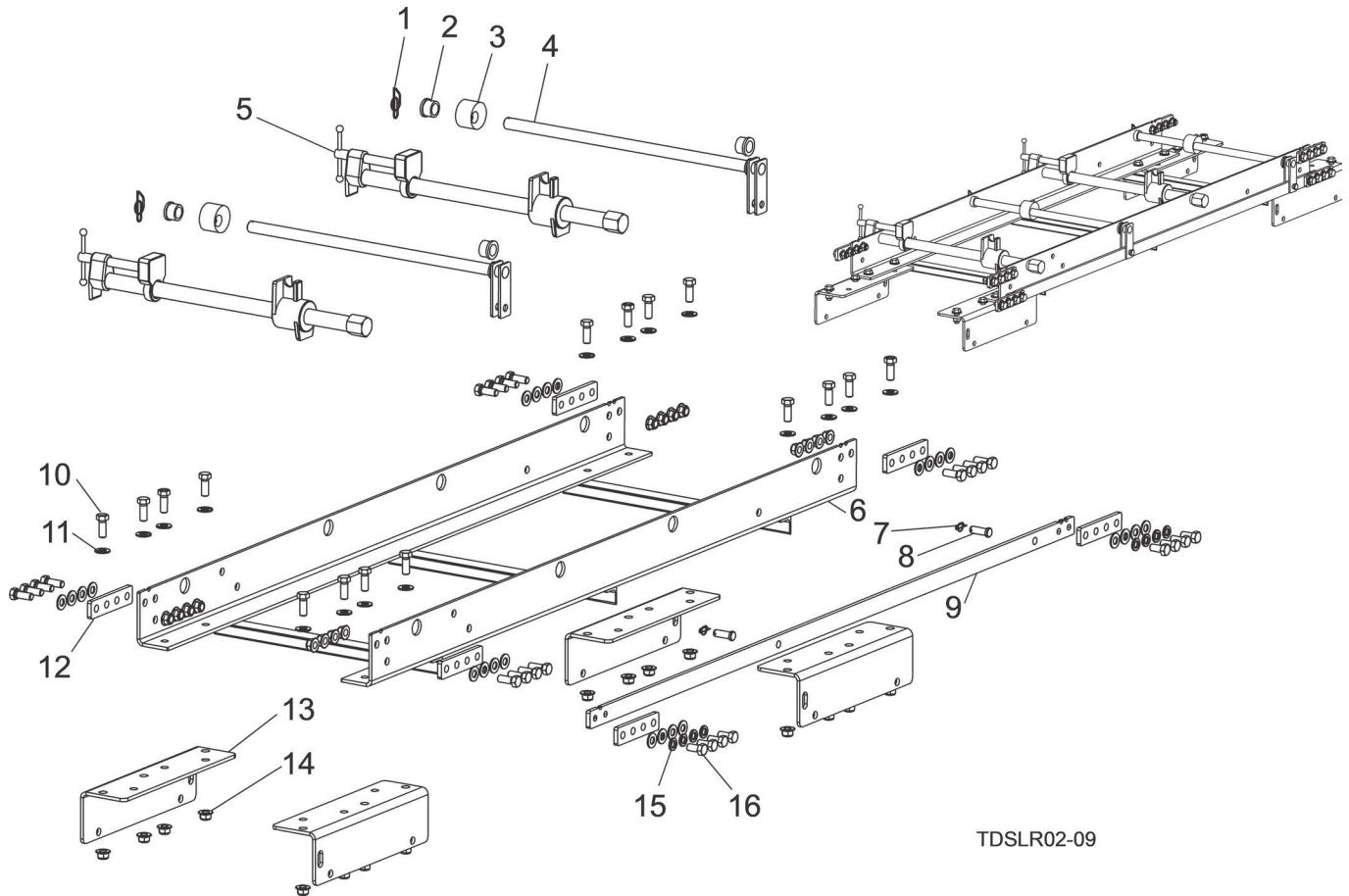
| REF | PART # | DESCRIPTION | COMMENTS | QTY. |
|----------|--------|------------------------------|----------|------|
| | 128377 | ASSY, SLR FRAME 1 | | 1 |
| | 128378 | Assy, SLR Clamp | | 2 |
| 1 | P05144 | Clamp, Pony | | 1 |
| 2 | P05120 | Shaft, Lap Siding Pony Clamp | | 1 |

7 Replacement Parts

Frame 1

| REF | PART # | DESCRIPTION | COMMENTS | QTY. |
|-----|------------|------------------------------------|----------|------|
| 3 | P05146 | Cap, 1/2 NPT Hex Pipe | | 1 |
| | A07327 | Cam Assy | | 2 |
| 4 | F05007-12 | Screw, 3/8-16x1/2 SH Cup Pt Set | | 2 |
| 5 | S05129 | Cam, SLR | | 1 |
| 6 | 105908 | Bushing, .635x7/8x1/2 Bronze | | 8 |
| | A07329 | Shaft, Cam Shakemaker | | 2 |
| 7 | F05011-19 | Washer, 5/8x15/16x.094 Nylon | | 2 |
| 8 | W05138 | Weldment, Cam Shaft | | 1 |
| | 110275 | Assy, SLR Roller Bearing Arm | | 1 |
| 9 | 110273 | Weldment, SLR Roller Shaft | | 1 |
| 10 | F05010-6 | Nut, 5/16-18 Swaged Hex | | 1 |
| 11 | S05142 | Sleeve, SLR Bearing | | 1 |
| 12 | P06030-1 | Bearing, 5/8x1.5748x.4724 | | 1 |
| 13 | F05006-13 | Bolt, 5/16-18x2 FT HH | | 1 |
| 14 | F05012-16 | Pin, 3/16x1 1/4 Roll | | 1 |
| 15 | W05136 | Wldmt, Roller Sleeve Arm | | 1 |
| 16 | F05008-124 | Bolt, 1/2-13x2-1/4 HH Zn Gr2 | | 2 |
| 17 | P05155 | Spring | | 1 |
| 18 | F05012-16 | Pin, 3/16x1 1/4 Roll | | 1 |
| 19 | F05012-135 | Pin, 5/8 In Clevis Retaining | | 4 |
| 20 | 130815 | Weldment, Handle Shaft | | 1 |
| 21 | F05011-19 | Washer, 5/8x15/16x.094 Nylon | | 2 |
| 22 | F05008-33 | Bolt, 1/2-13x1 1/2 HH Gr5 | | 8 |
| 23 | 128319 | Weldment, SLR Frame 1 | | 1 |
| 24 | F05010-1 | Nut, 3/8-16 Hex | | 1 |
| 25 | F05007-129 | Bolt, 3/8-16x1 3/4 FT Gr5 | | 1 |
| 26 | F05007-7 | Bolt, 3/8-16x1 HHC | | 1 |
| 27 | 128325 | Plate, SLR Link Arm 1 | | 1 |
| 28 | F05010-25 | Nut, 3/8-16 Swaged Lock | | 1 |
| 29 | F05012-136 | Pin, 3/8 In Clevis Retaining | | 3 |
| 30 | F05012-8 | Pin, 3/8x1 3/32 Clevis Zinc Plated | | 3 |
| | 130816 | Assembly, Handle SLR | | 1 |
| 31 | F05010-11 | Nut, 5/8-18 Hex Jam | | 1 |
| 32 | 130814 | Round, SLR Handle | | 1 |
| 33 | P04211 | Knob, 5/8-18 Ball | | 1 |

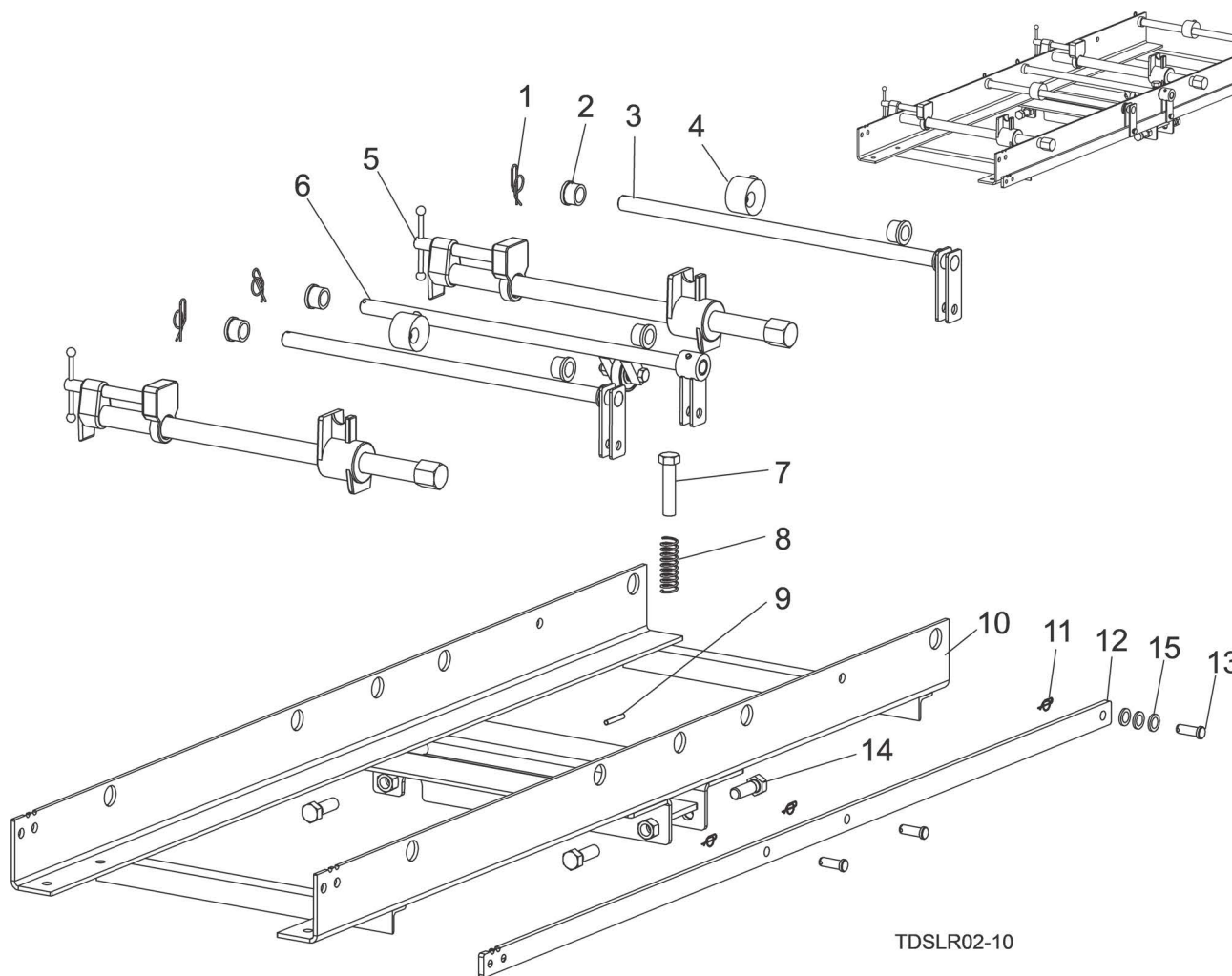
7.2 Frame 2



TDSLRO2-09

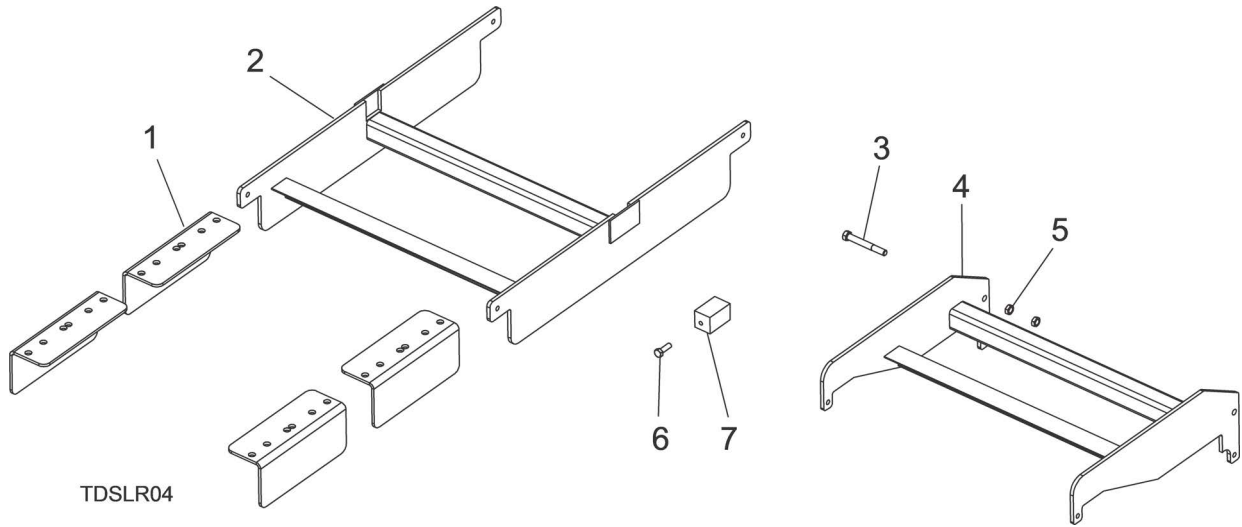
| REF | PART # | DESCRIPTION | COMMENTS | QTY. |
|-----|------------|------------------------------------|-----------------------------------|------|
| | 128379 | ASSY, SLR FRAME 2 | | 1 |
| 1 | F05012-135 | Pin, 5/8 in Clevis Retaining | | 2 |
| 2 | 105908 | Bushing, .635x7/8x1/2 Bronze | | 4 |
| 3 | A07327 | Cam Assy | (See Section 7.1) | 2 |
| 4 | A07329 | Shaft, Cam Shakemaker | (See Section 7.1) | 2 |
| 5 | 128378 | Assy, SLR Clamp | (See Section 7.1) | 2 |
| 6 | 128320 | Weldment, SLR Frame 2 | | 1 |
| 7 | F05012-136 | Pin, 3/8 in Clevis Retaining | | 2 |
| 8 | F05012-8 | Pin, 3/8x1 3/32 Clevis Zinc Plated | | 2 |
| 9 | 128326 | Plate, SLR Link Arm 2 | | 1 |
| 10 | F05007-87 | Bolt, 3/8-16x1 HH Gr5 | | 32 |
| 11 | F05011-3 | Washer, 3/8 Flat SAE | | 40 |
| 12 | 128328 | Plate SLR Link Arm Joint | | 6 |
| 13 | 128311 | Plate, SLR Brace | | 4 |
| 14 | F05010-222 | Nut, 3/8-16 Flanged Hex Nylock | | 32 |
| 15 | F05011-4 | Washer, 3/8 Split Lock | | 8 |
| 16 | F05007-118 | Bolt, 3/8-16x3/4 HH Gr5 | | 8 |

7.3 Frame 3



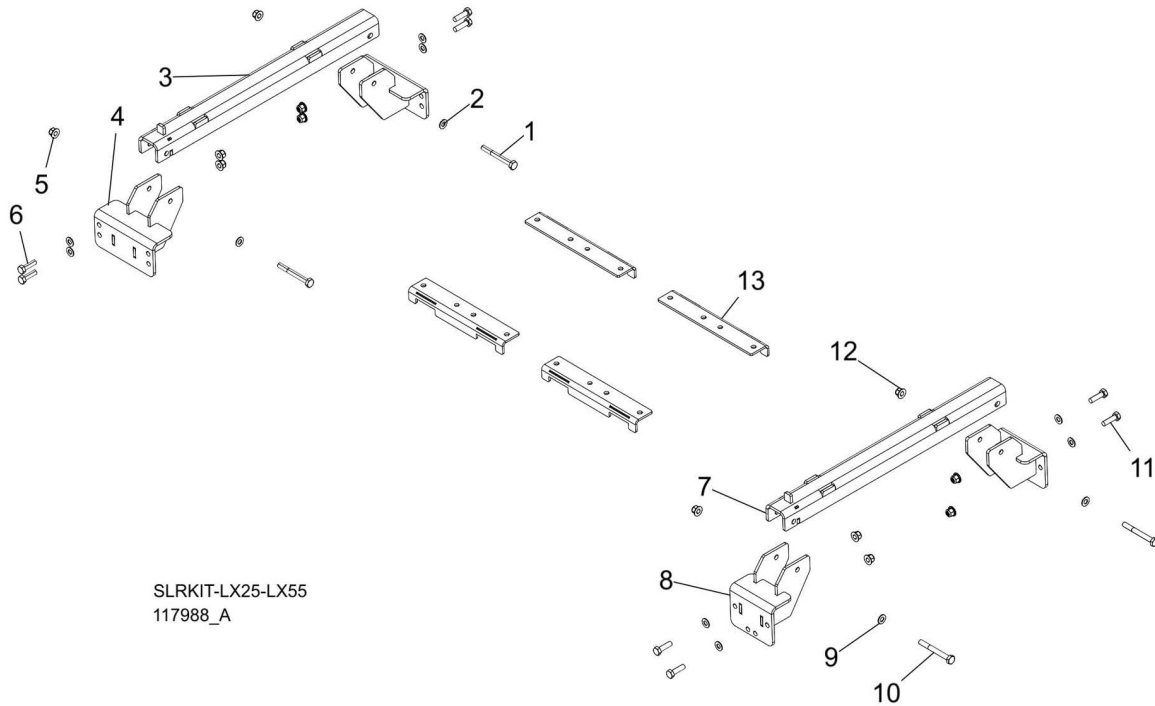
| REF | PART # | DESCRIPTION | COMMENTS | QTY. |
|-----|------------|------------------------------------|--|------|
| | 128380 | ASSY, SLR FRAME 3 | | 1 |
| 1 | F05012-135 | Pin, 5/8 in Clevis Retaining | | 3 |
| 2 | 105908 | Bushing, .635x7/8x1/2 Bronze | | 6 |
| 3 | A07329 | Shaft, Cam Shakemaker | (See Section 7.1) | 2 |
| 4 | A07327 | Cam Assy | (See Section 7.1) | 2 |
| 5 | 128378 | Assy, SLR Clamp | (See Section 7.1) | 2 |
| 6 | 110275 | Assy, SLR Roller Bearing Arm | (See Section 7.1) | 1 |
| 7 | F05008-124 | Bolt, 1/2-13x2-1/4 HH Zn Gr2 | | 1 |
| 8 | P05155 | Spring | | 1 |
| 9 | F05012-16 | Pin, 3/16x1 1/4 Roll | | 1 |
| 10 | 128323 | Weldment, SLR Frame 3 | | 1 |
| 11 | F05012-136 | Pin, 3/8 in Clevis Retaining | | 3 |
| 12 | 128327 | Plate, SLR Link Arm 3 | | 1 |
| 13 | F05012-8 | Pin, 3/8x1 3/32 Clevis Zinc Plated | | 3 |
| 14 | F05008-33 | Bolt, 1/2-13x1 1/2 HH Gr5 | | 4 |
| 15 | F05011-3 | Washer, 3/8 Flat SAE | F05011-3 added after 10/28/2021 per ECN 38204. | 3 |

7.4 LT15 Adapters



| REF | PART # | DESCRIPTION | COMMENTS | QTY. |
|-----|---------------|--|----------------------|------|
| | SLRKIT-LT15.1 | MOUNT ASSY, SLR/ LT15 BED REV. G.00 | Used by all LT15Wide | 1 |
| 1 | 130835 | Plate, SLR LT15 | | 4 |
| 2 | 006910 | Mount Wldmt, 5x2 LT15 SLR | | 1 |
| | SLRKIT-LT15 | MOUNT ASSY, SLR/ LT15 BED | Rev E.00 to F.00 | 1 |
| 3 | F05007-73 | Bolt, 3/8-16x3 HH Gr5 | | 1 |
| 4 | 047693 | Mount Weldment, LT15 SLR | | 1 |
| 5 | F05010-29 | Nut, 3/8-16 Jam | | 2 |
| 6 | F05006-27 | Bolt, 5/16-18x1 Gr5 HH | | 1 |
| 7 | 047694 | Block, SLR Stop | | 1 |

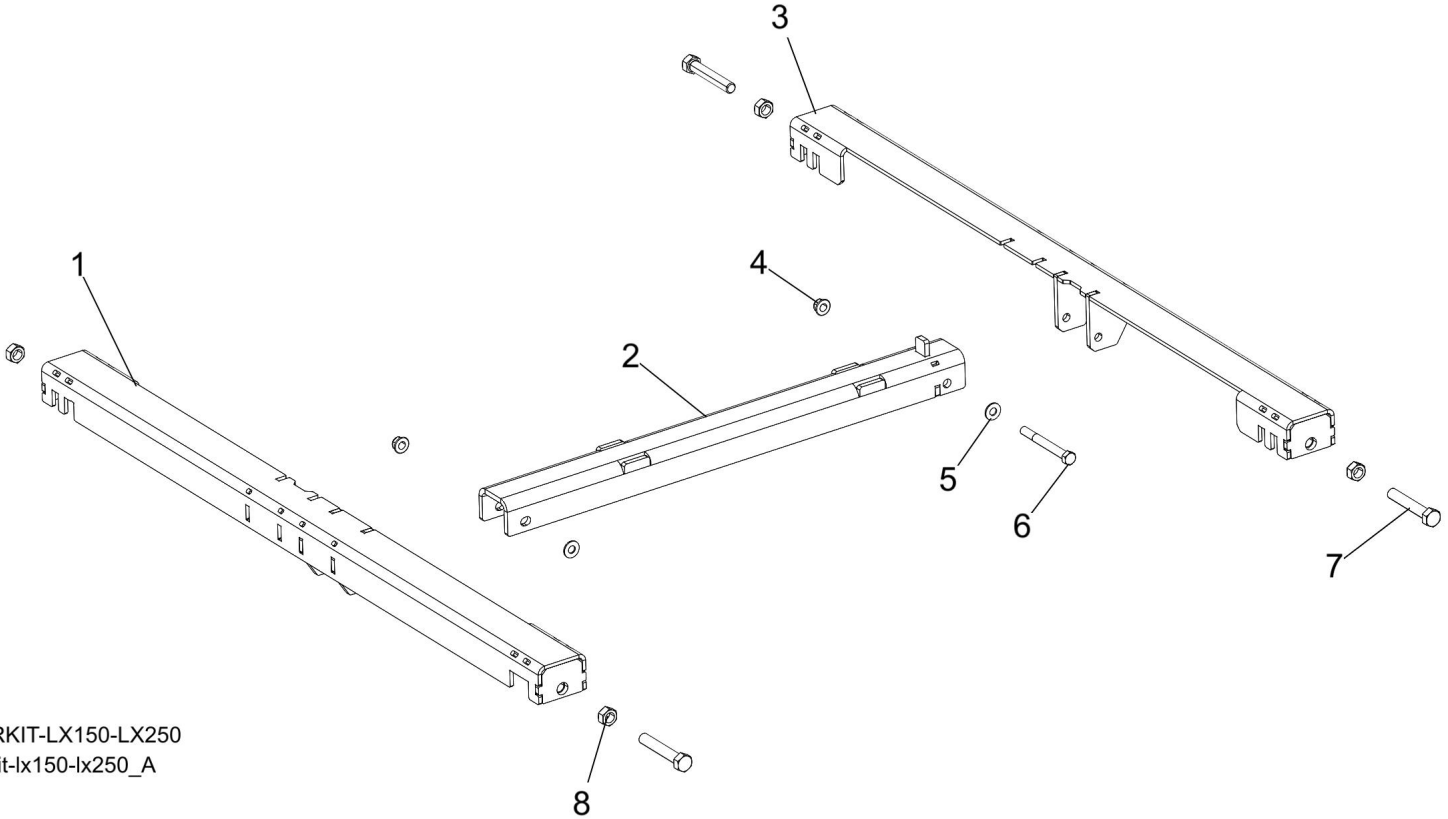
7.5 LX 25/55 Adapters



SLRKIT-LX25-LX55
117988_A

| REF | PART # | DESCRIPTION | COMMENTS | QTY. |
|-----|------------------|--------------------------------------|----------|------|
| | SLRKIT-LX25-LX55 | Assy, SLR-Mizer LX25/55 Install. Kit | | 1 |
| | 117989 | Assy, Front Kit | | 1 |
| 1 | F05022-22 | Bolt, M10-1.5x90 HH Class 8 | | 2 |
| 2 | F05011-134 | Washer, M10 Flat | | 6 |
| 3 | 117990 | Wldmnt, Brace | | 1 |
| 4 | 117994 | Wldmnt, Front Support | | 2 |
| 5 | F05027-47 | Nut, M10-1.5 Flanged Nylon Lock | | 6 |
| 6 | F05022-18 | Bolt, M10-1.50 x 35MM HH Gr 8.8 | | 4 |
| | 117997 | Assy, Rear Kit | | 1 |
| 7 | 117990 | Wldmnt, Brace | | 1 |
| 8 | 117998 | Wldmnt, Rear Support | | 2 |
| 9 | F05011-134 | Washer, M10 Flat | | 6 |
| 10 | F05022-22 | Bolt, M10-1.5x90 HH Class 8 | | 2 |
| 11 | F05022-18 | Bolt, M10-1.50 x 35MM HH Gr 8.8 | | 4 |
| 12 | F05027-47 | Nut, M10-1.5 Flanged Nylon Lock | | 6 |
| 13 | 118120 | Bracket, SLR Brace | | 4 |

7.6 LX 150/250 Adapter

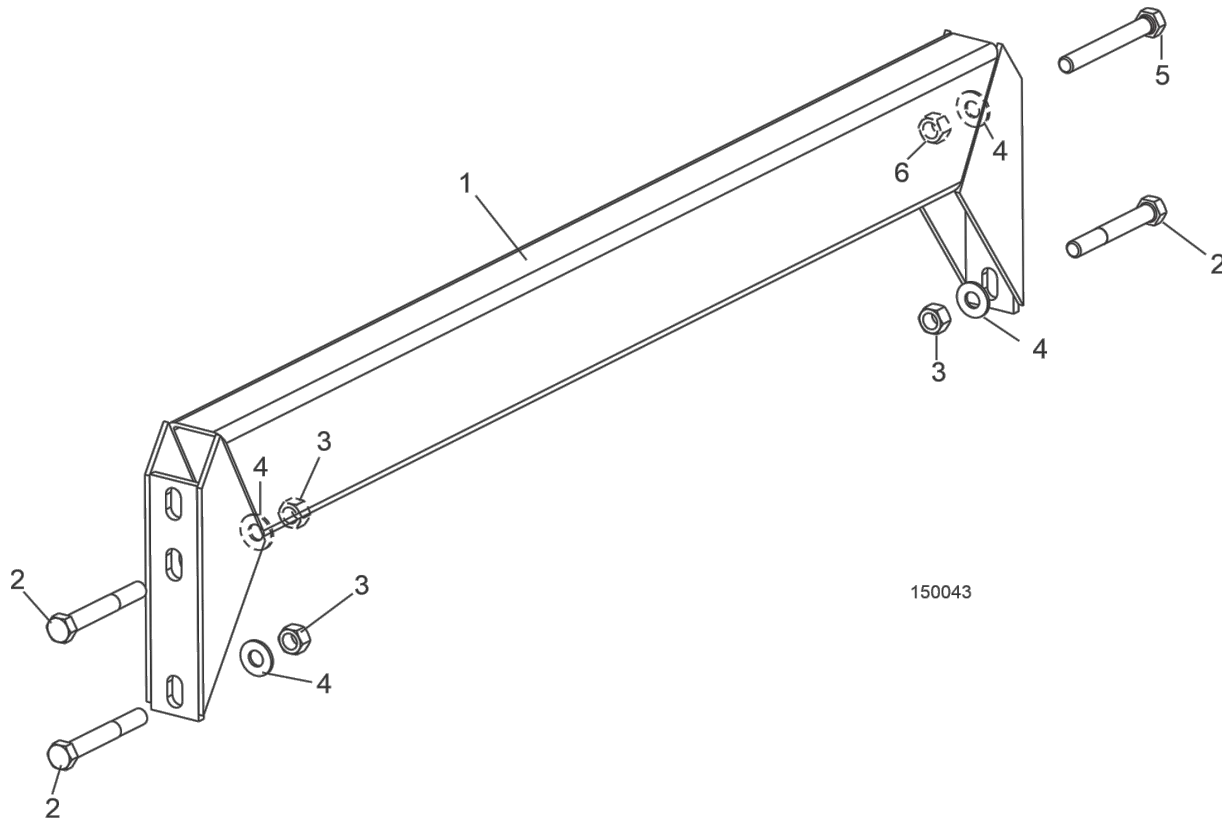


RKIT-LX150-LX250
it-lx150-lx250_A

| REF | PART # | DESCRIPTION | COMMENTS | QTY. |
|-----|--------------------|----------------------------------|----------|------|
| | SLRKIT-LX150-LX250 | Assy, SLR LX150/250 Install. Kit | | 1 |
| 1 | 118119 | Wldmnt, Left Support | | 1 |
| 2 | 117990 | Wldmnt, Brace | | 1 |
| 3 | 118115 | Wldmnt, Right Support | | 1 |
| 4 | F05010-222 | Nut, 3/8-16 Flanged Hex Nylock | | 2 |
| 5 | F05011-61 | Washer, 3/8 SAE Flat | | 2 |
| 6 | F05004-123 | Bolt, 3/8-16X3 1/2 HH Gr5 | | 2 |
| 7 | F05008-113 | Bolt, 1/2-13x3 HH FT G8 | | 4 |
| 8 | F05010-35 | NUT, 1/2-13 FREE HEX, ZINC | | 4 |

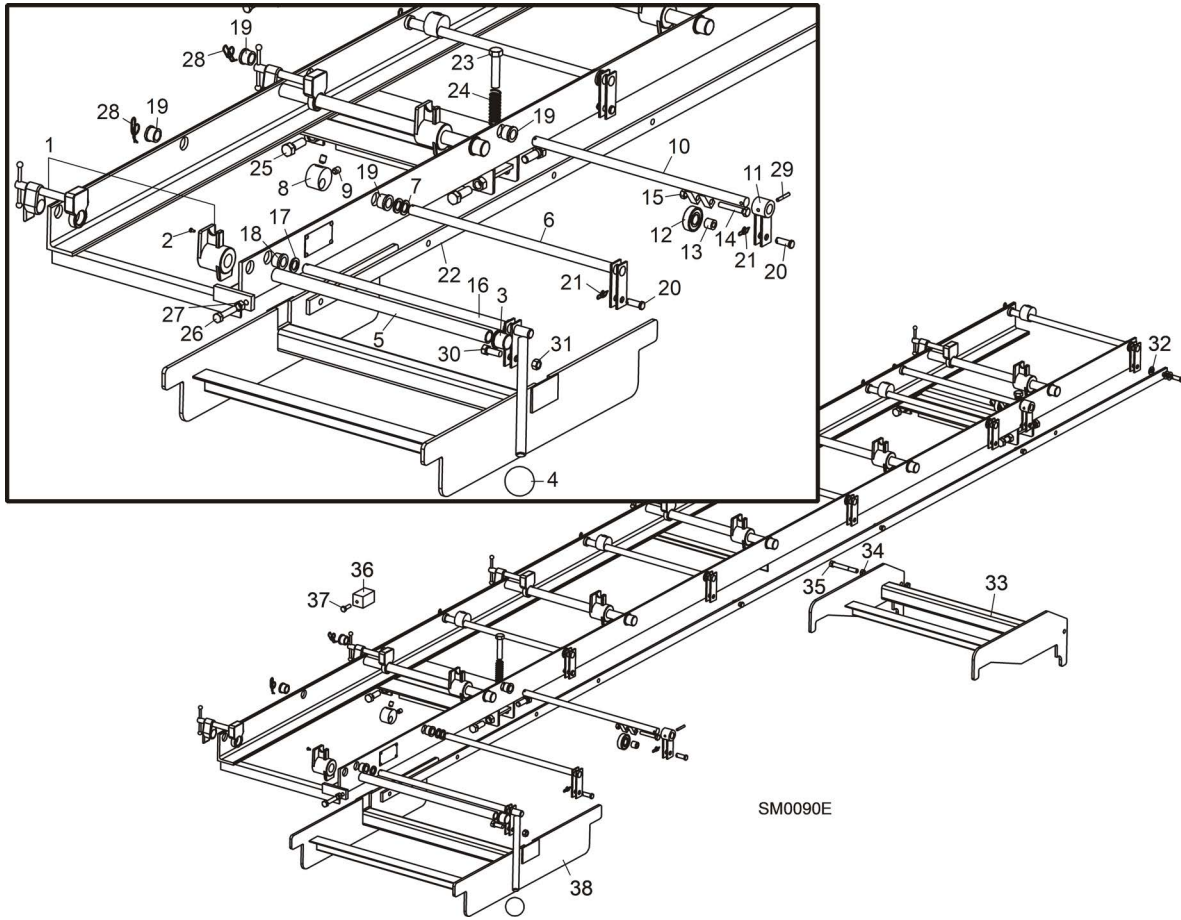
7.7 LT15 Auxiliary Bed Rail

Used for LT15 bed sections revisions A.00 through E.3.03.



| REF | PART # | DESCRIPTION | COMMENTS | QTY. |
|----------|------------|---|----------|------|
| | 016037 | RAIL KIT, LT15 SLR AUX BED RAILW/BLK | | 1 |
| 1 | 016036 | Rail Weldment, LT15 Aux Bed W/Block | | 1 |
| 2 | F05007-29 | Screw, 3/8-16x2 3/4 HHC | | 3 |
| 3 | F05007-1 | Bolt, 3/8-16x3 FT HH | | 1 |
| 4 | F05011-3 | Washer, 3/8 Flat SAE | | 4 |
| 5 | F05010-25 | Nut, 3/8-16 Swaged Lock | | 4 |
| | 016037-829 | Instr. Sheet, Aux Bed Rail W/Block | | 1 |

7.8 Shingle Lap Siding Resaw (revision A.00-F.01)



| REF | PART # | DESCRIPTION | COMMENTS | QTY. |
|-----|-----------|--|-------------------------------|------|
| | SLR | SHINGLE/LAP SIDING OPTION, COMPLETE | | 1 |
| | A05157 | Clamp Assembly, SLR Pony | | 6 |
| 1 | P05144 | Clamp, SLR Pony | Available in assemblies only. | 1 |
| 2 | F05015-6 | Screw, #6 X 1/4" Drive | | 1 |
| 3 | P05146 | Cap, 1/2" Pipe End | | 6 |
| 4 | P04211 | Knob, Plastic Round | | 1 |
| 5 | P05120 | Shaft, Pony Clamp | | 6 |
| | A07324 | Frame, Shingle/lap Siding Option | Available in assemblies only. | 1 |
| | A07329 | Cam Shaft Assembly | | 6 |
| 6 | W05138 | Shaft, SLR Cam | Available in assemblies only. | 1 |
| 7 | F05011-19 | Washer, 5/8 I.d. X .100 Thick Nylon | | 1 |
| | A07327 | Cam Roller Assembly | | 6 |
| 8 | S05129 | Roller, SLR Cam | Available in assemblies only. | 1 |
| 9 | F05007-12 | Screw, 3/8-16 X 1/2" Socket Head Cup Point | | 2 |
| | A07326 | Roller Bearing Shaft Assembly | | 2 |
| 10 | W05139 | Shaft, SLR Roller Bearing | Available in assemblies only. | 1 |
| 11 | W05136 | Sleeve, Roller Shaft Pivot | | 1 |
| 12 | P06030-1 | Bearing, 5/8" 6203-2NSL | | 1 |
| 13 | S05142 | Bushing, SLR Roller Bearing | | 1 |

7 Replacement Parts
Shingle Lap Siding Resaw (revision A.00-F.01)

| REF | PART # | DESCRIPTION | COMMENTS | QTY. |
|-----|---------------|---|--|------|
| 14 | F05006-13 | Bolt, 5/16-18 X 2" Hex Head Full Thread | | 1 |
| 15 | F05010-6 | Nut, 5/16-18 Hex Lock | | 1 |
| | 016035 | Handle Assembly, SLR Replacement | | 1 |
| | A07328 | Handle Shaft Assembly | Available in assemblies only. | 1 |
| 16 | W04977 | Shaft, SLR Handle | Available in assemblies only. | 1 |
| 17 | F05011-19 | Washer, 5/8" X .100 Thick Nylon | | 2 |
| 18 | 105908 | Bushing, .635x7/8x1/2 Bronz | | 1 |
| 19 | 105908 | Bushing, .635x7/8x1/2 Bronz | | 17 |
| 20 | F05012-8 | Pin, 3/8" X 1 3/32" Clevis | | 8 |
| 21 | F05012-136 | Pin, 3/8" Clevis Retaining | Replaced F05012-9 (11/10) | 8 |
| 22 | S05140 | Link Arm, SLR | | 1 |
| 23 | F05008-2 | Bolt, 1/2-13 X 2 1/4" Hex Head Full Thread | | 2 |
| 24 | P05155 | Spring, SLR Adjustment | | 2 |
| 25 | F05008-3 | Bolt, 1/2-13 X 1 1/2" Hex Head | | 8 |
| 26 | F05007-19 | Bolt, 3/8-16 X 1 3/4" Hex Head Full Thread | | 1 |
| 27 | F05010-1 | Nut, 3/8-16 Hex | | 1 |
| 28 | F05012-1 | Pin, 1/8" X 1" Cotter | | 9 |
| 29 | F05012-135 | Pin, 5/8" Clevis Retaining | Replaced F05012-16 (11/10) | 2 |
| 30 | F05007-7 | Bolt, 3/8-16 x 1" Hex Head | | 2 |
| 31 | F05010-25 | Nut, 3/8-16 2-way Self-locking | | 2 |
| 32 | F05011-3 | Washer, 3/8" Flat | | 3 |
| | SLRKIT-LT15 | INSTALL KIT, LT15 SLR (Required for LT15 Rev. E4.00 - E6.03, Bed Rev. E.00 - F.00) | | 1 |
| 33 | 047693 | Mount Weldment, LT15 SLR | Mount Weldment 047693 modified 10/07 to allow SLR to mount to new Rev. F.00 bed assemblies (LT15 Rev. E6.03). Mount will still work on old-style bed assemblies. | 1 |
| 34 | F05010-29 | Nut, 3/8-16 Hex Jam | | 2 |
| 35 | F05007-73 | Bolt, 3/8-16 x 3" Hex Head Grade 5 | | 1 |
| 36 | 047694 | Block, SLR Stop | | 1 |
| 37 | F05006-27 | Bolt, 5/16-18 x 1" Hex Head Grade 5 | | 1 |
| 38 | SLRKIT-LT15.1 | INSTALL KIT, LT15 SLR | (Required for LT15 Rev. E6.04+, Bed Rev. G.00+) | 1 |