

Wood-Mizer[®] Sawmill

Parts Manual

LT35

rev. A1.00 - A6.11



Safety is our #1 concern! Read and understand all safety information and instructions before operating, setting up or maintaining this machine.

November 2011

Form #1776

California
Proposition 65 Warning



WARNING: Breathing gas/diesel engine exhaust exposes you to chemicals known to the State of California to cause cancer and birth defects or other reproductive harm.

Always start and operate the engine in a well-ventilated area.
If in an enclosed area, vent the exhaust to the outside.
Do not modify or tamper with the exhaust system.
Do not idle the engine except as necessary.

For more information go to **www.P65warnings.ca.gov**.



WARNING: Drilling, sawing, sanding or machining wood products can expose you to wood dust, a substance known to the State of California to cause cancer. Avoid inhaling wood dust or use a dust mask or other safeguards for personal protection.

For more information go to **www.P65Warnings.ca.gov/wood**.

©2020

Printed in the United States of America, all rights reserved. No part of this manual may be reproduced in any form by any photographic, electronic, mechanical or other means or used in any information storage and retrieval system without written permission from

Wood-Mizer
8180 West 10th Street
Indianapolis, Indiana 46214

Table of Contents

Section-Page

| | | |
|------------------|--|------------|
| SECTION 1 | GENERAL INFORMATION | 1-1 |
| 1.1 | How To Use The Parts List | 1-1 |
| 1.2 | Sample Assembly | 1-1 |
| SECTION 2 | BLADE GUIDE ROLLERS & ARM | 2-1 |
| 2.1 | Blade Guide Assembly, Idle Side..... | 2-1 |
| 2.2 | Blade Guide Assembly, Drive Side..... | 2-3 |
| 2.3 | Blade Guide Arm..... | 2-5 |
| SECTION 3 | BLADE WHEELS & TENSIONER | 3-1 |
| 3.1 | Blade Drive Assembly..... | 3-1 |
| 3.2 | Idle Blade Wheel Assembly | 3-2 |
| 3.3 | Blade Tensioner Assembly..... | 3-4 |
| | <i>LT35 Rev. A6.05+</i> | |
| 3.4 | Blade Tensioner Assembly..... | 3-6 |
| | <i>LT35 Rev. A1.00 - A6.04</i> | |
| SECTION 4 | SAW HEAD | 4-1 |
| 4.1 | Water Lube Assembly | 4-1 |
| 4.2 | Saw Head Decals | 4-2 |
| 4.3 | Blade Housing Covers..... | 4-4 |
| 4.4 | Sawdust Chute | 4-5 |
| SECTION 5 | ENGINE OPTIONS | 5-1 |
| | <i>LT35/LT35HD</i> | |
| SECTION 6 | OPTIONS & ADDITIONAL INCLUDED EQUIPMENT | 6-1 |
| | <i>LT35</i> | |
| SECTION 7 | CONTROL & BATTERY BOXES | 7-1 |
| 7.1 | Control Assembly..... | 7-1 |
| | <i>LT35 Rev. A5.00+</i> | |
| | <i>LT35HD Rev. A5.00+</i> | |
| 7.2 | Control Assembly..... | 7-3 |
| | <i>LT35 Rev. A4.00 - A4.01</i> | |
| | <i>LT35HD Rev. A4.00 - A4.01</i> | |
| 7.3 | Control Assembly..... | 7-6 |
| | <i>LT35 Rev. A1.00 - A3.00</i> | |
| | <i>LT35HD Rev. A1.00 - A3.00</i> | |
| 7.4 | Drum Switches | 7-9 |

Table of Contents

Section-Page

| | | |
|-------------------|---|-------------|
| 7.5 | Front Panel Assembly..... | 7-11 |
| | <i>LT35</i> <i>Rev. A5.00+</i> | |
| | <i>LT35HD</i> <i>Rev. A5.00+</i> | |
| 7.6 | Front Panel Assembly..... | 7-12 |
| | <i>LT35</i> <i>Rev. A4.00 - A4.01</i> | |
| | <i>LT35HD</i> <i>Rev. A4.00 - A4.01</i> | |
| 7.7 | Front Panel Assembly..... | 7-13 |
| | <i>LT35</i> <i>Rev. A1.00 - A3.00</i> | |
| | <i>LT35HD</i> <i>Rev. A1.00 - A3.00</i> | |
| 7.8 | Battery Box Assembly..... | 7-14 |
| | | |
| SECTION 8 | UP/DOWN SYSTEM | 8-1 |
| 8.1 | Saw Head Mount..... | 8-1 |
| 8.2 | Up/Down Assembly..... | 8-3 |
| | <i>LT35</i> <i>Rev. A5.00+</i> | |
| | <i>LT35HD</i> <i>Rev. A5.00+</i> | |
| 8.3 | Up/Down Assembly..... | 8-5 |
| | <i>LT35</i> <i>Rev. A3.00 - A4.01</i> | |
| | <i>LT35HD</i> <i>Rev. A3.00 - A4.01</i> | |
| 8.4 | Up/Down Assembly..... | 8-8 |
| | <i>LT35</i> <i>Rev. A2.00 - A2.01</i> | |
| | <i>LT35HD</i> <i>Rev. A2.00 - A2.01</i> | |
| 8.5 | Up/Down Assembly..... | 8-11 |
| | <i>LT35</i> <i>Rev. A1.00 - A1.02</i> | |
| | <i>LT35HD</i> <i>Rev. A1.00 - A1.03</i> | |
| 8.6 | Magnetic Position Sensor Assembly..... | 8-14 |
| | <i>LT35</i> <i>Rev. A5.00+</i> | |
| | <i>LT35HD</i> <i>Rev. A5.00+</i> | |
| 8.7 | Simple Set Sensor Assembly..... | 8-16 |
| | <i>LT35</i> <i>Rev. A3.00 - A4.01</i> | |
| | <i>LT35HD</i> <i>Rev. A3.00 - A4.01</i> | |
| 8.8 | Simple Set Sensor Assembly..... | 8-18 |
| | <i>LT35</i> <i>Rev. A2.00 - A2.01</i> | |
| | <i>LT35HD</i> <i>Rev. A2.00 - A2.01</i> | |
| | | |
| SECTION 9 | FEED SYSTEM & TRACK ROLLERS | 9-1 |
| 9.1 | Track Rollers And Wipers..... | 9-1 |
| 9.2 | Power Feed Assembly..... | 9-3 |
| | <i>LT35</i> <i>Rev. A4.00+</i> | |
| | <i>LT35HD</i> <i>Rev. A4.00+</i> | |
| 9.3 | Power Feed Assembly..... | 9-5 |
| | <i>LT35</i> <i>Rev. A1.00 - A3.00</i> | |
| | <i>LT35HD</i> <i>Rev. A1.00 - A3.00</i> | |
| 9.4 | Feed Chain/Stop..... | 9-6 |
| | | |
| SECTION 10 | BED FRAME ASSEMBLY | 10-1 |
| 10.1 | Bed Rail Assembly, Front And Rear..... | 10-1 |
| 10.2 | Bed Rail Assembly, Middle Front..... | 10-3 |
| 10.3 | Bed Rail Assembly, Middle Rear..... | 10-4 |

Table of Contents

Section-Page

| | | |
|-------------------|---|--------------|
| 10.4 | Leg Assembly | 10-6 |
| 10.5 | Pivot Bed Rail Assembly..... | 10-8 |
| 10.6 | Log Side Support Assembly (Manual)..... | 10-9 |
| 10.7 | Safety Chain Assembly | 10-11 |
| 10.8 | Bed Frame Decals..... | 10-12 |
| 10.9 | Log Clamp | 10-13 |
| 10.10 | Log Loading Ramps | 10-14 |
| 10.11 | Board Outfeed Table (Optional)..... | 10-15 |
| 10.12 | Manual Winch (Optional)..... | 10-16 |
| SECTION 11 | BED HYDRAULIC LOG LOADER & TURNER (OPTIONAL) | 11-1 |
| 11.1 | Hydraulic Hoses | 11-1 |
| 11.2 | Hydraulic Loader/Turner Control Box (Optional) | 11-2 |
| | <i>HCA-A-35 Rev. A1.00+</i> | |
| 11.3 | Hydraulic Power Supply Strip (Optional) | 11-4 |
| 11.4 | Hydraulic Log Loader (Optional)..... | 11-6 |
| | <i>HLA-A Rev. A3.00+</i> | |
| 11.5 | Hydraulic Log Turner (Optional) | 11-8 |
| | <i>HLT-A Rev. A1.00+</i> | |
| 11.6 | Hydraulic Log Side Supports (Optional)..... | 11-10 |
| 11.7 | Miscellaneous Loader & Turner Parts..... | 11-12 |
| SECTION 12 | ACCESSORIES | 12-13 |
| | <i>LT35</i> | |
| SECTION 13 | TRAILERS | 13-1 |
| | <i>LT35</i> | |
| SECTION 14 | MISCELLANEOUS | 14-1 |
| 14.1 | Replacement Manuals | 14-1 |
| 14.2 | Tools | 14-2 |
| | INDEX | I |

SECTION 1 GENERAL INFORMATION

1.1 How To Use The Parts List

- Use the table of contents or index to locate the assembly that contains the part you need.
- Go to the appropriate section and locate the part in the illustration.
- Use the number pointing to the part to locate the correct part number and description in the table.
- Parts shown indented under another part are included with that part.
- Parts marked with a diamond (◆) are only available in the assembly listed above the part.

See the sample table below. Sample Part #A01111 includes part F02222-2 and subassembly A03333. Subassembly A03333 includes part S04444-4 and subassembly K05555. The diamond (◆) indicates that S04444-4 is not available except in subassembly A03333. Subassembly K05555 includes parts M06666 and F07777-77. The diamond (◆) indicates M06666 is not available except in subassembly K05555.

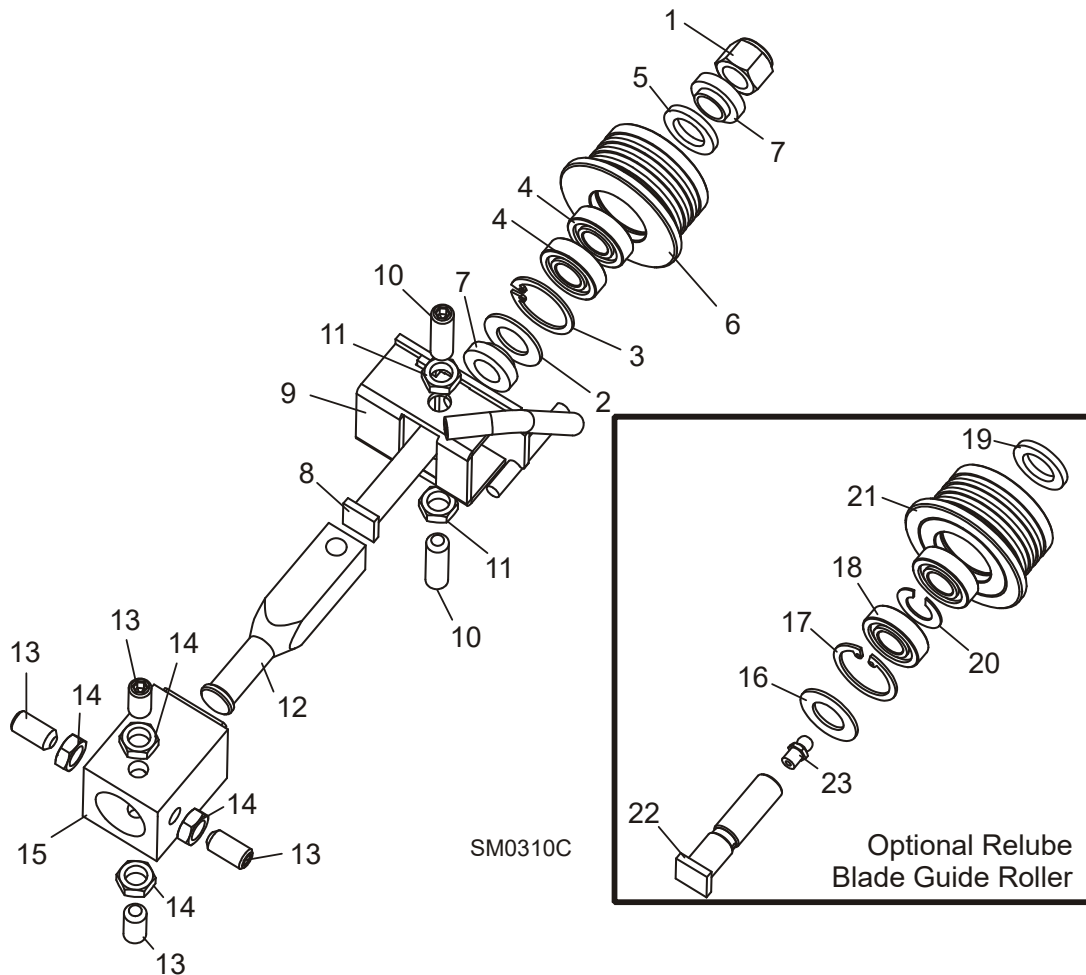
| 1.2 Sample Assembly | | | | |
|----------------------------|--|-----------|------|---|
| REF | DESCRIPTION (◆ Indicates Parts Available In Assemblies Only) | PART # | QTY. | |
| | SAMPLE ASSEMBLY, COMPLETE (INCLUDES ALL INDENTED PARTS BELOW) | A01111 | 1 | |
| 1 | Sample Part | F02222-22 | 1 | |
| | Sample Subassembly (Includes All Indented Parts Below) | A03333 | 1 | |
| 2 | Sample Part (◆ Indicates Part Is Only Available With A03333) | S04444-4 | 1 | ◆ |
| | Sample Subassembly (Includes All Indented Parts Below) | K05555 | 1 | |
| 3 | Sample Part (◆ Indicates Part Is Only Available With K05555) | M06666 | 2 | ◆ |
| 4 | Sample Part | F07777-77 | 1 | |

To Order Parts:

- From the continental U.S., call **1-800-525-8100** to order parts. Have your customer number, vehicle identification number, and part numbers ready when you call.
- From other international locations, contact the Wood-Mizer distributor in your area for parts.

SECTION 2 BLADE GUIDE ROLLERS & ARM

2.1 Blade Guide Assembly, Idle Side



| REF | DESCRIPTION (◆ Indicates Parts Available In Assemblies Only) | PART # | QTY. | |
|-----|--|-----------|------|---|
| | BLADE GUIDE ASSEMBLY, COMPLETE IDLE SIDE | A08197 | 1 | |
| 1 | Nut, 1/2-20 Hex Nylon Lock | F05010-15 | 1 | |
| | Roller Assembly, Blade Guide (standard) | A04925 | 1 | |
| | Bearing Kit, Blade Guide Rebuild | K07079 | 1 | |
| 2 | Washer, 5/8" White Felt | P04252 | 1 | |
| 3 | Ring, 1 1/8" Interior Retaining | F04254-1 | 1 | |
| 4 | Bearing, R8-2RS Blade Guide | 015975 | 2 | ◆ |
| 5 | Washer, 5/8" Gray Felt | P06455 | 1 | |

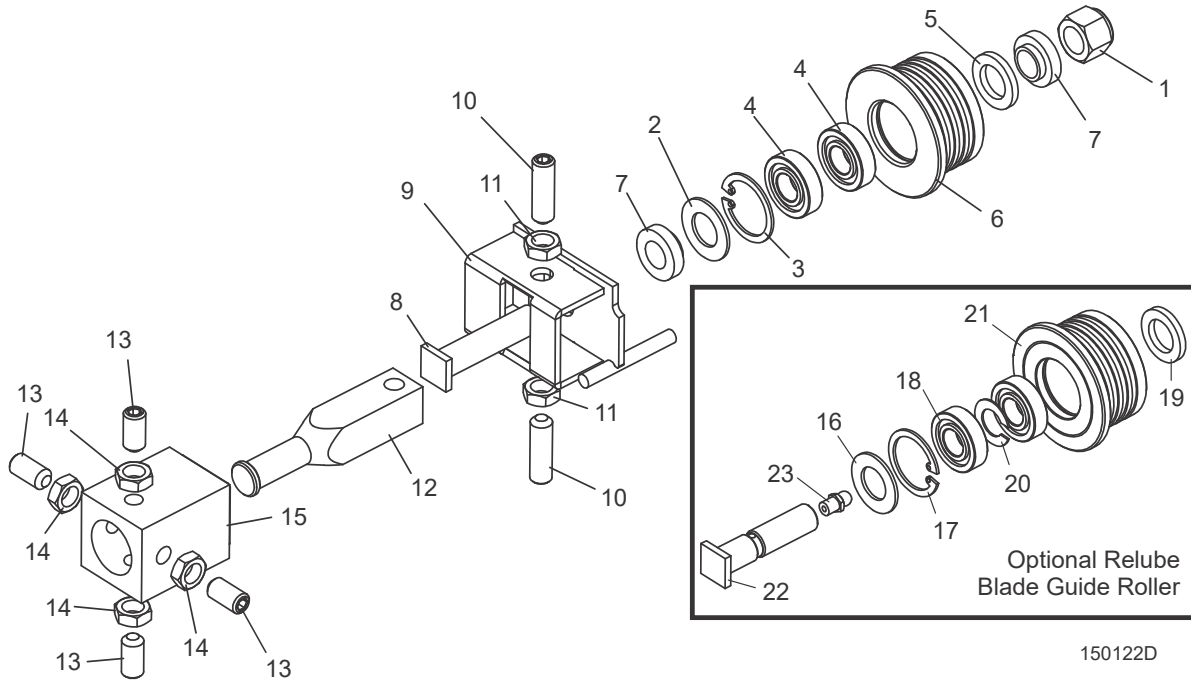
2

Blade Guide Rollers & Arm*Blade Guide Assembly, Idle Side*

| | | | | |
|----|--|---------------------|---|---|
| | Screw, 1/4-28 x 1/4" Socket Head Cup Point Set Black Oxide | F05005-105 | 1 | |
| | Instruction Sheet, Blade Guide Rebuild | 057407-1507 | 1 | |
| 6 | Roller, Flanged Blade Guide | S04250 | 1 | ◆ |
| | Instruction Sheet, Blade Guide Roller Replacement | A04925-364 | 1 | |
| 7 | Spacer, Blade Guide | S04253 | 2 | |
| 8 | Bolt, Blade Guide Roller | 036373 | 1 | |
| 9 | Bracket, Blade Guide Idle Side With Water Tube | W08495 | 1 | |
| 10 | Screw, 3/8-24 X 1 1/4" Stainless Steel Socket Head Flat Point | F05007-96 | 2 | |
| 11 | Nut, 3/8-24 Jam | F05010-22 | 2 | |
| 12 | Shaft, Blade Guide Adjustment | S08196 | 1 | |
| 13 | SCREW, 3/8-24 X 3/4" STAINLESS STEEL SOCKET HEAD FLAT POINT | F05007-95 | 4 | |
| 14 | NUT, 3/8-24 JAM | F05010-22 | 4 | |
| 15 | TUBE, BLADE GUIDE MOUNT (See Section 2.3) | W08159 | 1 | |
| | ROLLER ASSEMBLY, BLADE GUIDE RELUBE (OPTIONAL) | 016568 | 1 | |
| | Bearing Kit, Relube Blade Guide Rebuild | 057407 | 1 | |
| 16 | Washer, 5/8" White Felt | P04252 | 1 | |
| 17 | Ring, 1 1/8" Interior Retaining | F04254-1 | 1 | |
| 18 | Bearing, R8-2RS Blade Guide | 015975 ¹ | 2 | ◆ |
| 19 | Washer, 5/8" Gray Felt | P06455 | 1 | |
| | Instruction Sheet, Blade Guide Rebuild | 057407-1507 | 1 | |
| 20 | Spacer, Blade Guide Bearing | 035411 | 1 | |
| 21 | Roller, Flanged Blade Guide Relube | 035426 | 1 | ◆ |
| | Instruction Sheet, Blade Guide Roller Replacement | A04925-364 | 1 | |
| 22 | BOLT, BLADE GUIDE ROLLER (RELUBE ONLY) | S08192 | 1 | |
| 23 | FITTING, 1/4-28 GREASE (RELUBE ONLY) | P05060 | 1 | |

¹ Bearing must be modified for use with relube roller assemblies. Remove one seal from each bearing, place open sides facing each other and place spacer 035411 between bearings.

2.2 Blade Guide Assembly, Drive Side



| REF | DESCRIPTION (◆ Indicates Parts Available In Assemblies Only) | PART # | QTY. |
|-----|--|-------------|------|
| | BLADE GUIDE ASSEMBLY, COMPLETE DRIVE SIDE | A08191 | 1 |
| 1 | Nut, 1/2-20 Hex Nylon Lock | F05010-15 | 1 |
| | Roller Assembly, Blade Guide (standard) | A04925 | 1 |
| | Bearing Kit, Blade Guide Rebuild | K07079 | 1 |
| 2 | Washer, 5/8" White Felt | P04252 | 1 |
| 3 | Ring, 1 1/8" Interior Retaining | F04254-1 | 1 |
| 4 | Bearing, R8-2RS Blade Guide | 015975 | 2 |
| 5 | Washer, 5/8" Gray Felt | P06455 | 1 |
| | Screw, 1/4-28 x 1/4" Socket Head Cup Point Set Black Oxide | F05005-105 | 1 |
| | Instruction Sheet, Blade Guide Rebuild | 057407-1507 | 1 |
| 6 | Roller, Flanged Blade Guide | S04250 | 1 |
| | Instruction Sheet, Blade Guide Roller Replacement | A04925-364 | 1 |
| 7 | Spacer, Blade Guide | S04253 | 2 |
| 8 | Bolt, Blade Guide Roller | 036373 | 1 |
| 9 | Bracket, Blade Guide Drive Side | W08482 | 1 |
| 10 | Screw, 3/8-24 X 1 1/4" Stainless Steel Socket Head Flat Point | F05007-96 | 2 |
| 11 | Nut, 3/8-24 Jam | F05010-22 | 2 |
| 12 | Shaft, Blade Guide Adjustment | S08196 | 1 |
| 13 | SCREW, 3/8-24 X 3/4" STAINLESS STEEL SOCKET HEAD FLAT POINT SET | F05007-95 | 3 |
| 14 | NUT, 3/8-24 JAM | F05010-22 | 4 |

2

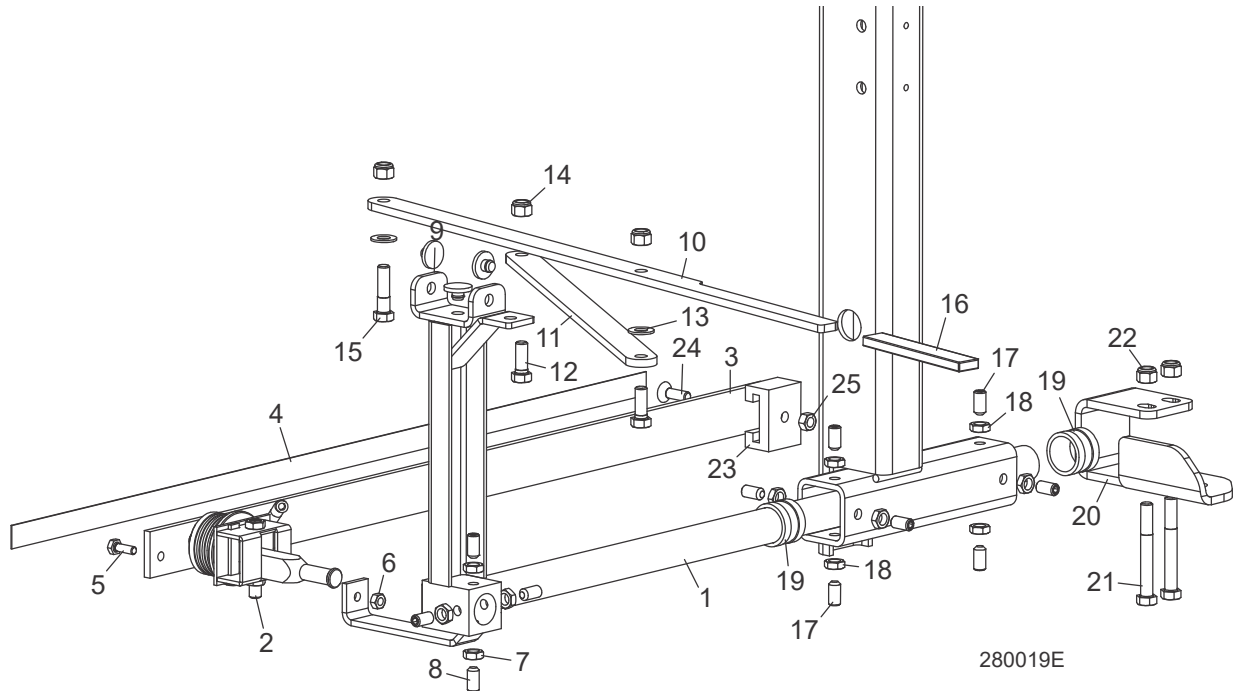
Blade Guide Rollers & Arm

Blade Guide Assembly, Drive Side

| | | | | |
|----|--|---------------------|---|---|
| 15 | TUBE WELDMENT, BLADE GUIDE MOUNT (Part of saw frame weldment) | W08159 | 1 | |
| | ROLLER ASSEMBLY, BLADE GUIDE RELUBE (OPTIONAL) | 016568 | 1 | |
| | Bearing Kit, Relube Blade Guide Rebuild | 057407 | 1 | |
| 16 | Washer, 5/8" White Felt | P04252 | 1 | |
| 17 | Ring, 1 1/8" Interior Retaining | F04254-1 | 1 | |
| 18 | Bearing, R8-2RS Blade Guide | 015975 ¹ | 2 | ◆ |
| 19 | Washer, 5/8" Gray Felt | P06455 | 1 | |
| 20 | Spacer, Blade Guide Bearing | 035411 | 1 | |
| | Instruction Sheet, Blade Guide Rebuild | 057407-1507 | 1 | |
| 21 | Roller, Flanged Blade Guide Relube | 035426 | 1 | ◆ |
| | Instruction Sheet, Blade Guide Roller Replacement | A04925-364 | 1 | |
| 22 | BOLT, BLADE GUIDE ROLLER (RELUBE ONLY) | S08192 | 1 | |
| 23 | FITTING, 1/4-28 GREASE (RELUBE ONLY) | P05060 | 1 | |

¹ Bearing must be modified for use with relube roller assemblies. Remove one seal from each bearing, place open sides facing each other and place spacer 035411 between bearings.

2.3 Blade Guide Arm



280019E

| REF | DESCRIPTION (◆ Indicates Parts Available In Assemblies Only) | PART # | QTY. |
|-----|--|---------------------|------|
| | ARM ASSEMBLY, LT15 BLADE GUIDE (2004) | 046966 | 1 |
| 1 | Arm Weldment, LT15 Blade Guide (2004) | 046965 | 1 |
| 2 | Blade Guide Parts (See Section 2.1) | | |
| 3 | Guard, LT15 Blade Guide Arm | 014955 | 1 |
| 4 | Decal, LT15 Blade Guide Arm | 015849 | 1 |
| 5 | Bolt, 1/4-20 x 3/4" Hex Head Full Thread | F05005-1 | 1 |
| 6 | Nut, 1/4-20 Hex Lock | F05010-21 | 1 |
| 7 | Nut, 3/8-24 Hex Jam | F05010-22 | 4 |
| 8 | Screw, 3/8-24 x 3/4" Socket Head Flat Point Set | F05007-95 | 4 |
| 9 | Pad, Blade Guide Slide | 014973 | 3 |
| 10 | PLATE, LT15 WIDE BLADE GUIDE ARM ADJUSTMENT | 076118 ¹ | 1 |
| 11 | PLATE, LT15 WIDE BLADE GUIDE ARM LINK | 076117 ¹ | 1 |
| 12 | BOLT, 3/8-16 X 1" HEX HEAD GRADE 5 | F05007-87 | 2 |
| 13 | WASHER, 3/8" SAE FLAT | F05011-3 | 3 |
| 14 | NUT, 3/8-16 HEX NYLON LOCK | F05010-10 | 3 |
| 15 | BOLT, 3/8-16 X 1 1/2" HEX HEAD GRADE 5 | F05007-78 | 1 |
| 16 | GRIP, 5/8" ID RUBBER HANDLE | 049008 | 1 |
| 17 | SCREW, 3/8-24 X 3/4" STAINLESS SOCKET HEAD FLAT POINT SET | F05007-95 | 8 |
| 18 | NUT, 3/8-24 HEX JAM | F05010-22 | 8 |
| 19 | BUSHING, BLADE GUIDE ARM | 015899 | 2 |
| 20 | BRACKET, SAW HEAD REST | 049141 | 1 |

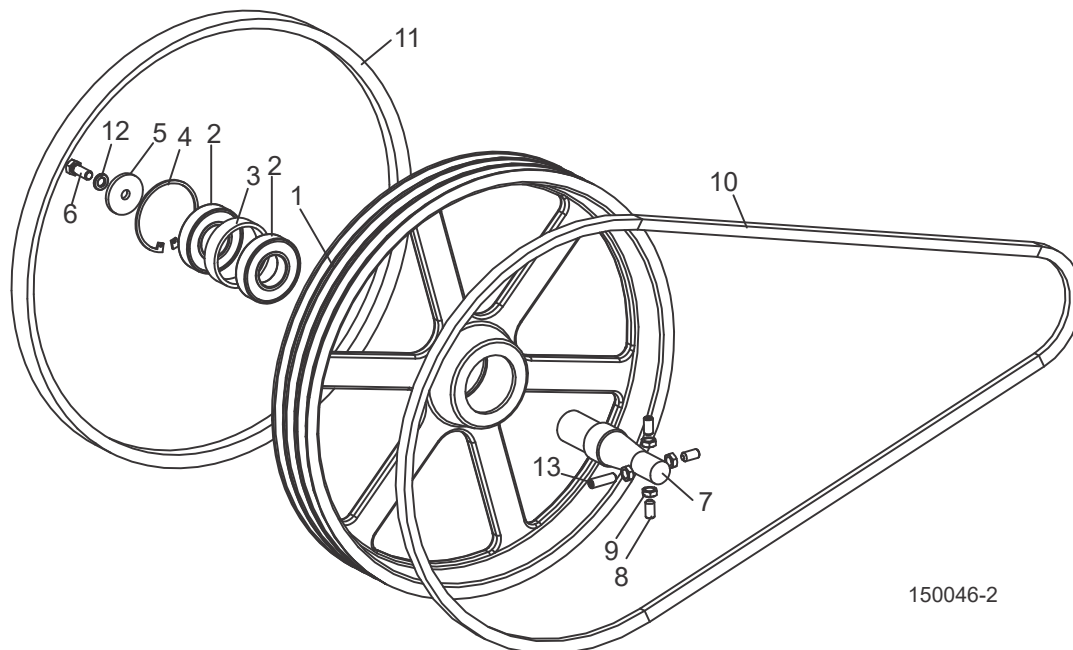
2**Blade Guide Rollers & Arm***Blade Guide Arm*

| | | | | |
|----|--|------------|---|--|
| 21 | BOLT, 3/8-16 X 3" HEX HEAD GRADE 5 | F05007-73 | 2 | |
| 22 | NUT, 3/8-16 HEX NYLON LOCK | F05010-10 | 2 | |
| 23 | BRACKET, BLADE GUIDE ARM GUIDE | 014882 | 1 | |
| 24 | BOLT, 5/16-18 X 1" FLAT HEAD SOCKET | F05006-124 | 1 | |
| 25 | NUT, 5/16-18 HEX LOCK | F05010-6 | 1 | |

¹ Blade guide arm 076118 and link 076117 replaced blade guide arm 046827 and 046828 to improve operation (LT35 Rev. A6.04/LT35HD Rev. A6.05). 049008 replaced 004742 5/8" ID Rubber Handle Grip (10/13). Previously, Link Handle 046828 and Grip 004742 replaced 048605 and 049008 originally supplied prior to Rev. A3.00. New handle provided clearance to allow operator access to logs or lumber on the sawmill bed.

SECTION 3 BLADE WHEELS & TENSIONER

3.1 Blade Drive Assembly

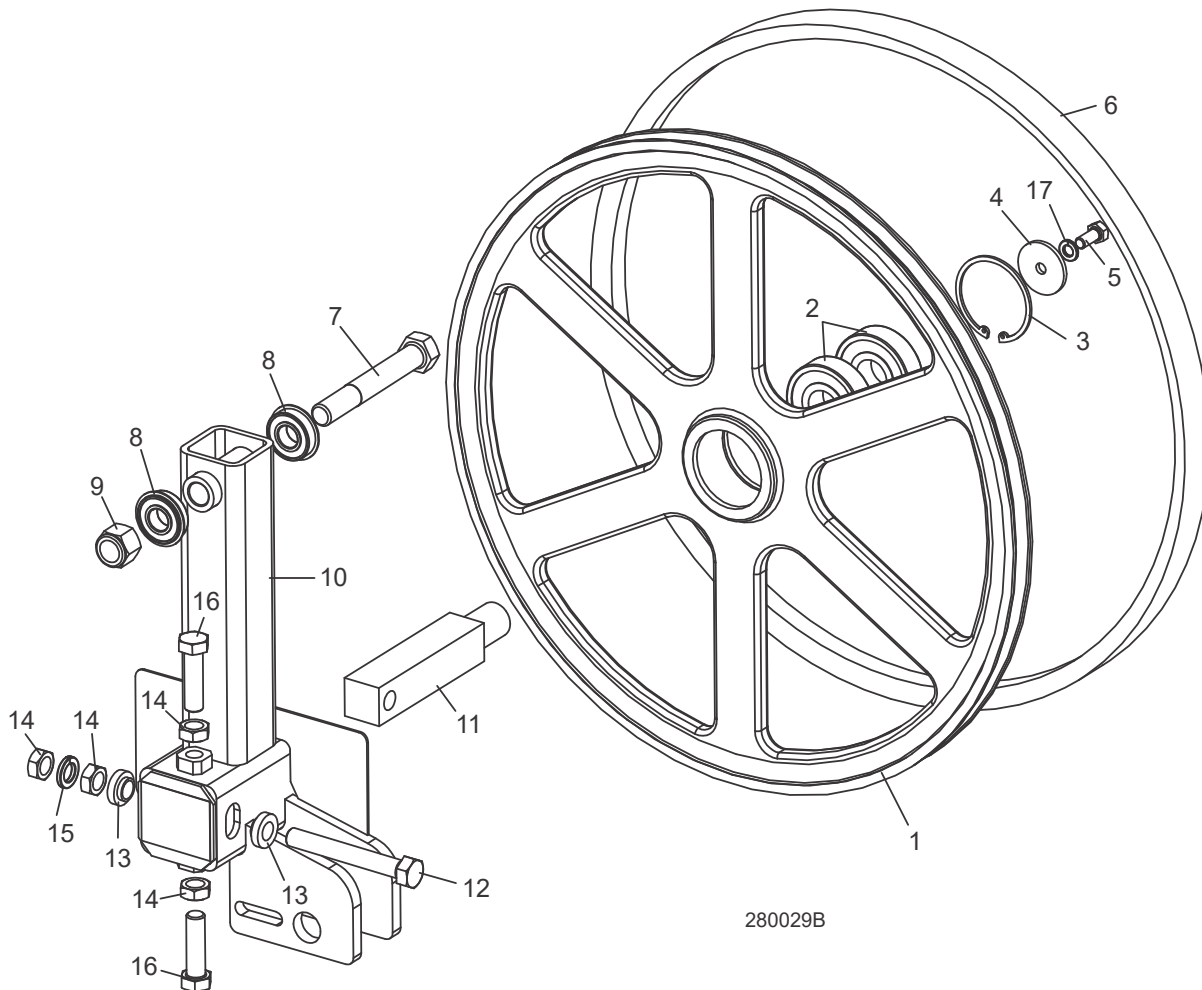


| REF | DESCRIPTION (◆ Indicates Parts Available In Assemblies Only) | PART # | QTY. |
|-----|---|-----------------------------------|------|
| | BLADE WHEEL BRAKE PARTS, D17 (See Engine Manual) | | |
| | BLADE WHEEL BRAKE PARTS, G25 (See Engine Manual) | | |
| | WHEEL ASSEMBLY, DRIVE SIDE BLADE | 036657 | 1 |
| 1 | Wheel, Drive Side Blade | 047702 | 1 |
| 2 | Bearing, #6207 2RS | 014811 | 2 |
| 3 | Spacer, Drive Bearing | 014730 | 1 |
| 4 | Ring, 3.121 IR Beveled Retaining | F04254-30 | 1 |
| 5 | WASHER, DRIVE WHEEL RETAINING | 014728 | 1 |
| 6 | BOLT, 3/8-16 X 1" HEX HEAD | F05007-87 | 1 |
| 7 | SHAFT, LT15 DRIVE SIDE BLADE WHEEL | 014729 | 1 |
| 8 | SCREW, 3/8-24 X 3/4" FLAT POINT SOCKET HEAD | F05007-95 | 3 |
| 9 | NUT, 3/8-24 HEX JAM | F05010-22 | 4 |
| 10 | BELT, DRIVE (SEE ENGINE MANUAL FOR PART #) | SEE ENGINE OPTION | 1 |
| 11 | BELT, B57 | P04185 | 1 |
| 12 | WASHER, 3/8" SPLIT LOCK | F05011-4 | 1 |
| 13 | SCREW, 3/8-24 X 1 1/4" FLAT POINT SOCKET HEAD | F05007-96 | 1 |

3 Blade Wheels & Tensioner

Idle Blade Wheel Assembly

3.2 Idle Blade Wheel Assembly



| REF | DESCRIPTION (◆ Indicates Parts Available In Assemblies Only) | PART # | QTY. | |
|-----|---|------------|------|---|
| | WHEEL ASSEMBLY, IDLE SIDE BLADE | A08218 | 1 | |
| 1 | Wheel, Idle Side Blade | P08125 | 1 | ◆ |
| 2 | Bearing, Idle Side Blade Wheel #6305-AA, C3, ABEC-1, SRI-2 Grease | P08066 | 2 | |
| 3 | Ring, 2 7/16" Internal Retaining | F04254-21 | 1 | |
| 4 | WASHER, IDLE BLADE WHEEL RETAINER | S08220 | 1 | |
| 5 | BOLT, 5/16-18 X 3/4" HEX HEAD | F05006-102 | 1 | |
| 6 | BELT, BLADE WHEEL B57 | P04185 | 1 | |
| 7 | BOLT, 5/8-11 X 4 1/2" HEX HEAD | F05009-3 | 1 | |
| 8 | BEARING, 5/8" I.D. W/SNAP RING | 014834 | 2 | |
| 9 | NUT, 5/8-11 HEX NYLON LOCK | F05010-34 | 1 | |
| 10 | IDLER WELDMENT, BLADE WHEEL | 049349 | 1 | |
| 11 | SHAFT, IDLE WHEEL | S12565 | 1 | |
| 12 | BOLT, 1/2-20 X 3 3/4" HEX HEAD FULL THREAD GRADE 2 | F05008-111 | 1 | |
| 13 | SPACER, 1/2" I.D. FLANGED | S04253 | 2 | |

Blade Wheels & Tensioner
Idle Blade Wheel Assembly

3

| | | | | |
|----|--|------------|---|--|
| 14 | NUT, 1/2-20 HEX JAM | F05010-16 | 4 | |
| 15 | WASHER, 1/2" SPLIT LOCK | F05011-9 | 1 | |
| 16 | BOLT, 1/2-20 X 1 3/4" HEX HEAD GRADE 5 | F05008-127 | 2 | |
| 17 | WASHER, 5/16" SPLIT LOCK | F05011-13 | 1 | |

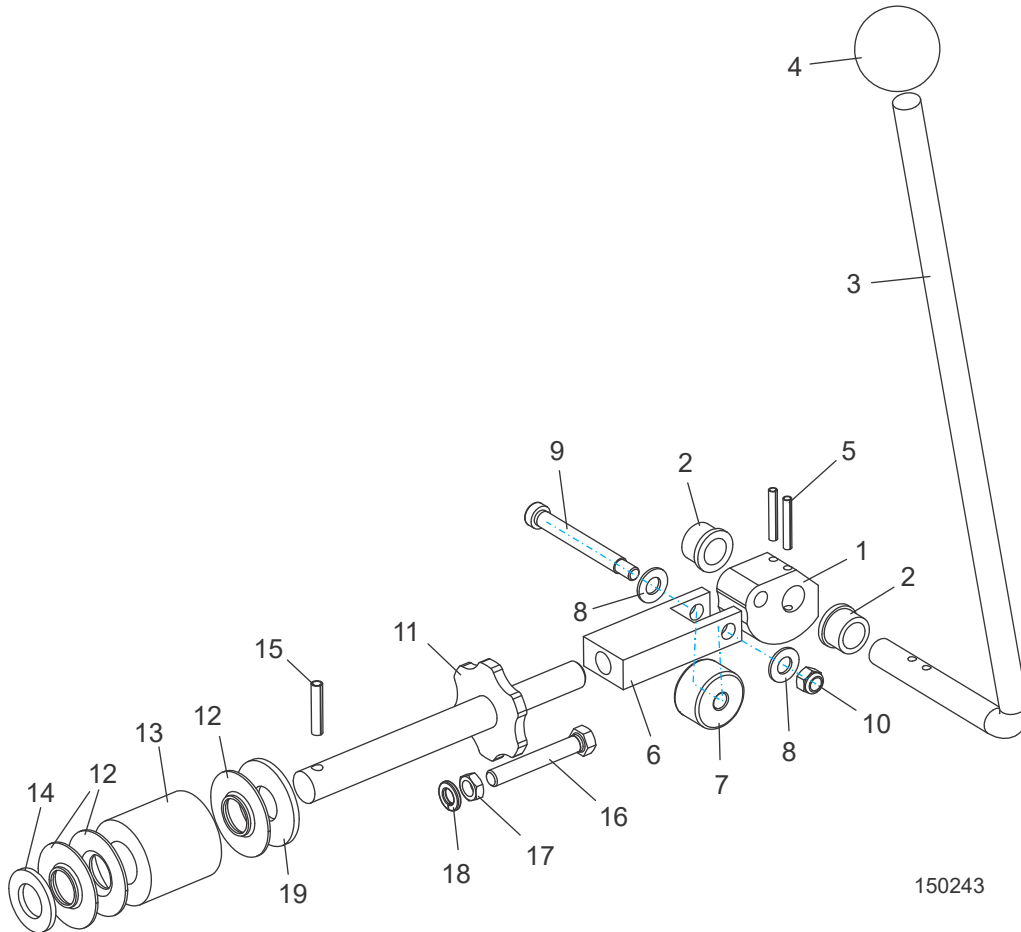
3 Blade Wheels & Tensioner

Blade Tensioner Assembly

3.3 Blade Tensioner Assembly

LT35

Rev. A6.05+



| REF | DESCRIPTION (◆ Indicates Parts Available In Assemblies Only) | PART # | QTY. |
|-----|--|---------------------|------|
| | TENSION ASSEMBLY, CAM ACTUATED BLADE(LT15/28/35, HR120/130) | 074801 | 1 |
| 1 | Cam, Tension | 049104 | 1 |
| 2 | Bushing, 5/8" x 7/8" x 1/2" Bronze | P05135 | 2 |
| 3 | Handle, Blade Tensioner, LT15/28/35 | 103801 | 1 |
| 4 | Knob, 5/8-18 Ball | P04211 | 1 |
| 5 | Pin, 3/16" x 1 1/4" Roll | F05012-16 | 2 |
| 6 | Block, Tensioner Bearing Mount | 128072 ¹ | 1 |
| 7 | Cam Follower, 3/8" x 1 3/8" x 13/16" | 048219 | 1 |
| 8 | Washer, 3/8" SAE Flat | F05011-3 | 2 |
| 9 | Bolt, 3/8 x 2 1/2" Socket Head Shoulder | F05007-202 | 1 |
| 10 | Nut, 5/16-18 Hex Nylon Lock | F05010-58 | 1 |

Blade Wheels & Tensioner

Blade Tensioner Assembly

3

| | | | | |
|----|--|------------|---|--|
| 11 | Shaft Weldment, Blade Tension | 038642 | 1 | |
| 12 | Guide, Tension Handle | 014925 | 3 | |
| 13 | Spring, Rubber Tensioner Blade | 014828 | 1 | |
| 14 | Washer, 3/4" SAE Flat | F05011-62 | 1 | |
| 15 | Pin, 1/4" x 1 1/4" Roll | F05012-12 | 1 | |
| 16 | Bolt, 3/8-16 x 2 1/2" Hex Head Full Thread | F05007-157 | 1 | |
| 17 | Nut, 3/8-16 Jam | F05010-29 | 1 | |
| 18 | Washer, 3/8" Split Lock | F05011-4 | 1 | |
| 19 | Washer, 3/4" USS Flat | F05011-29 | 1 | |

¹Bearing Mount 049321 was replaced with 128072 on 10/16/2019 per ECN 36137.

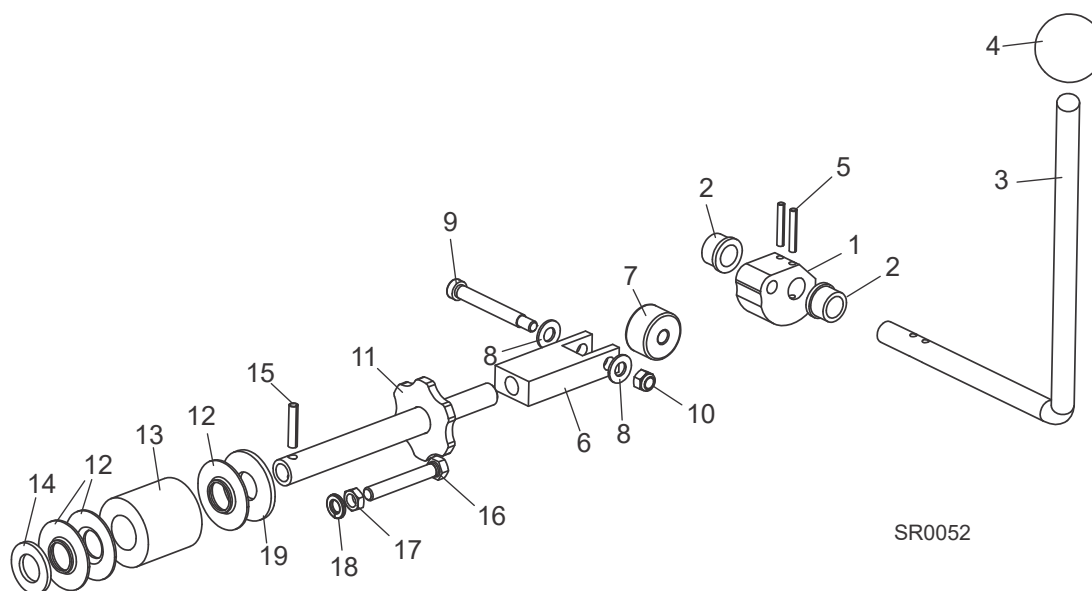
3 Blade Wheels & Tensioner

Blade Tensioner Assembly

3.4 Blade Tensioner Assembly

LT35

Rev. A1.00 - A6.04



SR0052

| REF | DESCRIPTION (◆ Indicates Parts Available In Assemblies Only) | PART # | QTY. |
|-----|--|------------|------|
| | TENSION ASSEMBLY, CAM ACTUATED BLADE | 038643 | 1 |
| 1 | Cam, Tension | 049104 | 1 |
| 2 | Bushing, 5/8" x 7/8" x 1/2" Bronze | P05135 | 2 |
| 3 | Handle, Blade Tensioner | 048804 | 1 |
| 4 | Knob, 5/8-18 Ball | P04211 | 1 |
| 5 | Pin, 3/16" x 1 1/4" Roll | F05012-16 | 2 |
| 6 | Block, Tensioner Bearing Mount | 049321 | 1 |
| 7 | Cam Follower, 3/8" x 1 3/8" x 13/16" | 048219 | 1 |
| 8 | Washer, 3/8" SAE Flat | F05011-3 | 2 |
| 9 | Bolt, 3/8 x 2 1/2" Socket Head Shoulder | F05007-202 | 1 |
| 10 | Nut, 5/16-18 Hex Nylon Lock | F05010-58 | 1 |
| 11 | Shaft Weldment, Blade Tension | 038642 | 1 |
| 12 | Guide, Tension Handle | 014925 | 3 |
| 13 | Spring, Rubber Tensioner Blade | 014828 | 1 |
| 14 | Washer, 3/4" SAE Flat | F05011-62 | 1 |
| 15 | Pin, 1/4" x 1 1/4" Roll | F05012-12 | 1 |
| 16 | Bolt, 3/8-16 x 2 1/2" Hex Head Full Thread | F05007-157 | 1 |

Blade Wheels & Tensioner
Blade Tensioner Assembly

3

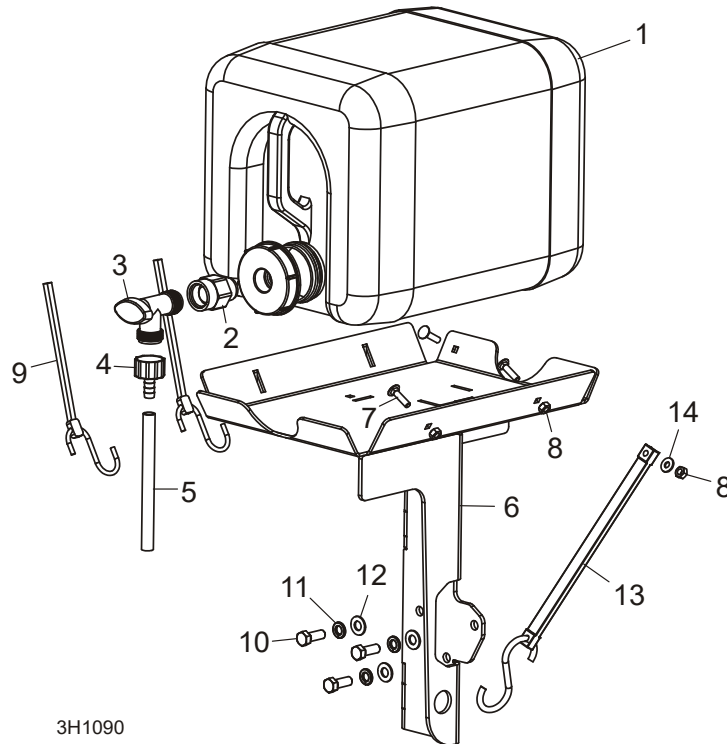
| | | | | |
|-----------|-------------------------|-----------|---|--|
| 17 | Nut, 3/8-16 Jam | F05010-29 | 1 | |
| 18 | Washer, 3/8" Split Lock | F05011-4 | 1 | |
| 19 | Washer, 3/4" USS Flat | F05011-29 | 1 | |

4 Saw Head

Water Lube Assembly

SECTION 4 SAW HEAD

4.1 Water Lube Assembly

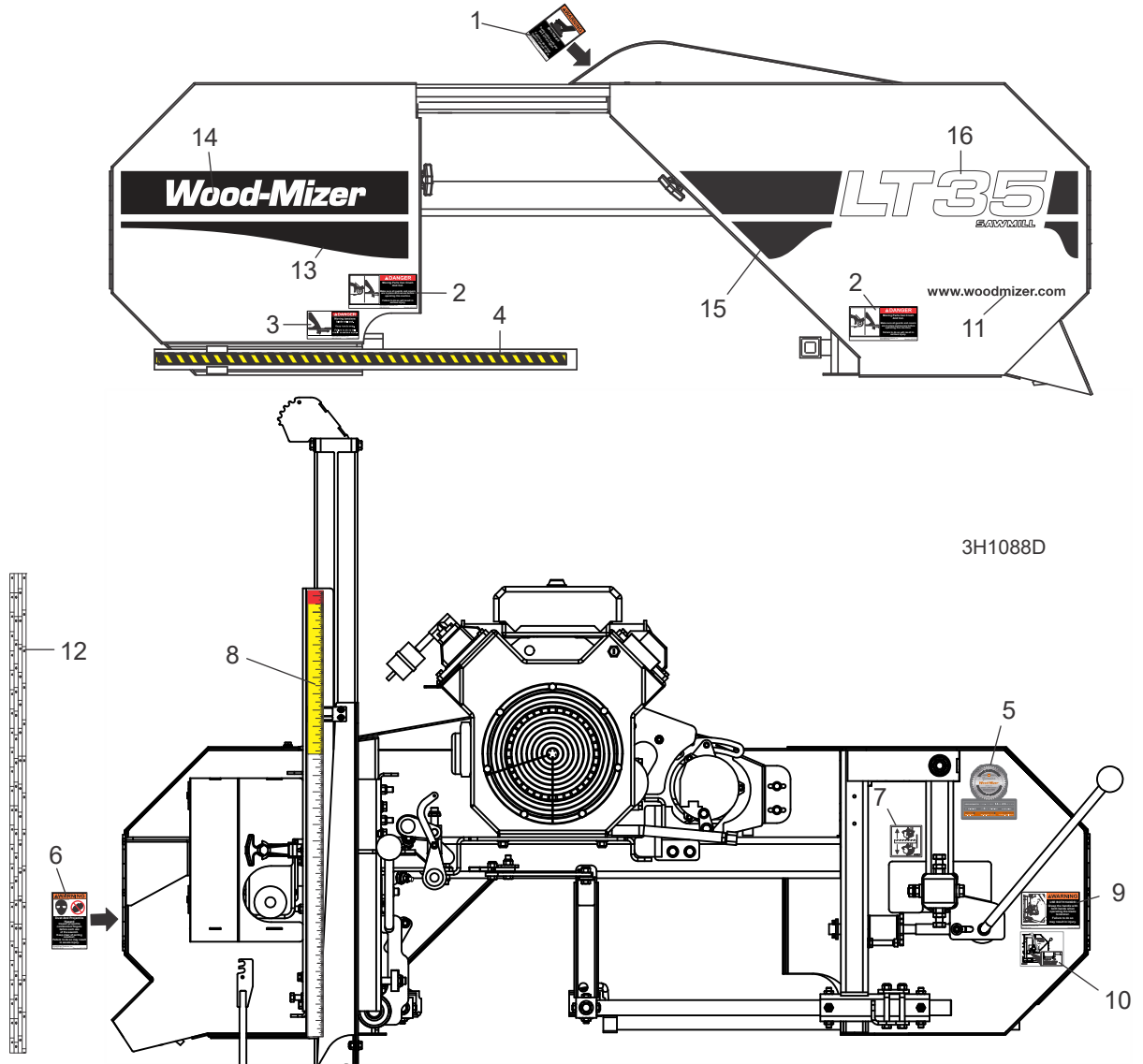


3H1090

| REF | DESCRIPTION (◆ Indicates Parts Available In Assemblies Only) | PART # | QTY. |
|-----|--|---------------------|-------|
| | TRAY ASSEMBLY, LT35 WATER LUBE BOTTLE | 065063 | 1 |
| 1 | Bottle, 5-Gallon Water Lube w/Cap | 014642 | 1 |
| | O-ring, Water Bottle Cap | 061372 ¹ | 1 |
| 2 | Fitting, 3/4FPT x 3/4MPT | 014636 | 1 |
| 3 | Fitting, Water Lube Shutoff Valve | 014100 | 1 |
| 4 | Fitting, 5/8" NPT to 3/8" Hose Barb | 014113 | 1 |
| 5 | Tubing, Water Lube 3/8" I.D. | R01885 | 7 ft. |
| 6 | Tray Weldment, LT35 Water | 062530 | 1 |
| 7 | Bolt, 1/4-20 x 1" Carriage Head | F05005-34 | 3 |
| 8 | Nut, 1/4-20 Hex Lock | F05010-21 | 3 |
| 9 | Strap, 20" Rubber w/Hook | P11668 | 2 |
| 10 | Screw, 3/8-16 x 1" Hex Head Grade 5 | F05007-87 | 3 |
| 11 | Washer, 3/8" Split Lock | F05011-4 | 3 |
| 12 | Washer, 3/8" SAE Flat | F05011-3 | 3 |
| 13 | Strap, 9" Rubber With Hooks | 012965 | 1 |
| 14 | Washer, 1/4" SAE Flat | F05011-11 | 1 |

¹ If the water bottle cap keeps leaking, add this o-ring to the cap. Leave the existing o-ring installed.

4.2 Saw Head Decals



| REF | DESCRIPTION (◆ Indicates Parts Available In Assemblies Only) | PART # | QTY. |
|-----|--|---------------------|------|
| 1 | DECAL, HOT ENGINE WARNING | 014419 | 1 |
| 2 | DECAL, MOVING PARTS DANGER | 033254 | 2 |
| 3 | DECAL, BLADE DANGER W/ARROW | S11752 | 1 |
| 4 | DECAL, BLADE GUIDE ARM STRIPE | 015849 | 1 |
| 5 | DECAL, WOOD-MIZER QUALITY & INFORMATION | 079278 ¹ | 1 |
| 6 | DECAL, SAWDUST CHUTE WARNING | P11754 | 1 |
| 7 | DECAL, BLADE TRACK INFO | P11789 | 1 |
| 8 | DECAL, INCH SCALE | S11773 ² | 1 |

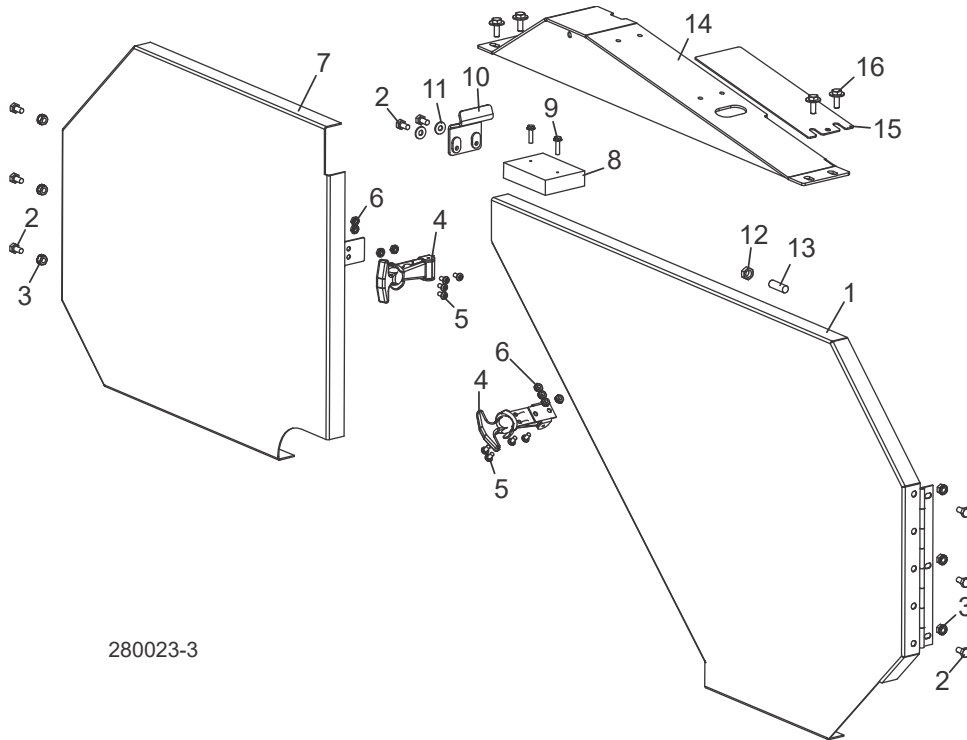
4**Saw Head***Saw Head Decals*

| | | | | |
|-----------|--|--------|---|--|
| 9 | DECAL, TENSIONER WARNING | 049367 | 1 | |
| 10 | DECAL, BLADE TENSION INFO | 049368 | 1 | |
| 11 | DECAL, WOOD-MIZER WEBSITE | 003235 | 1 | |
| 12 | DECAL, MAGNETIC QUARTER SCALE | 016275 | 1 | |
| 13 | DECAL, LT15/28/35 IDLE SIDE BLACK EURO STRIPE | 065008 | 1 | |
| 14 | DECAL, LT10/15/28/35 WHITE WOOD-MIZER LOGO | 065002 | 1 | |
| 15 | DECAL, LT28/35 DRIVE SIDE BLACK EURO STRIPE | 065010 | 1 | |
| 16 | DECAL, LT35 WHITE EURO LOGO | 065022 | 1 | |

¹ Replaced 015840, S12117, and 065582 (9/18).

² Modified to add red color under 1" for a visual warning to improve up/down operation (LT35 Rev. A1.01). Use LT35 Up/Down Safety Campaign Kit 065728 to upgrade LT35 sawmills prior to Rev. A1.01.

4.3 Blade Housing Covers



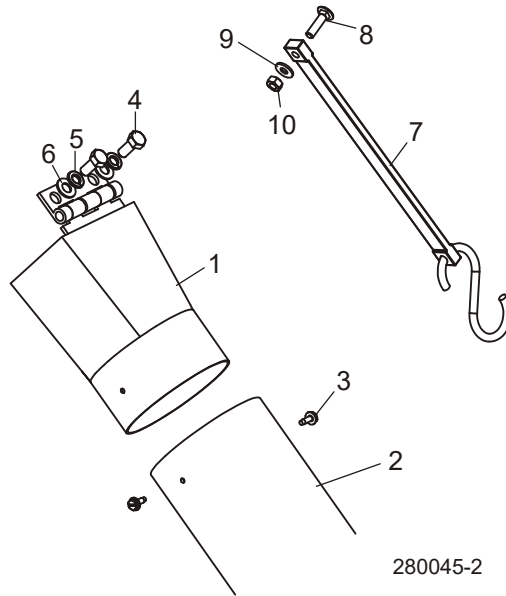
280023-3

| REF | DESCRIPTION (◆ Indicates Parts Available In Assemblies Only) | PART # | QTY. |
|-----|---|------------|------|
| 1 | COVER, LT35 DRIVE SIDE BLADE HOUSING (Includes Cover Decals - See Section 4.2) | 065067 | 1 |
| 2 | BOLT, 1/4-20 X 1/2" HEX HEAD | F05005-15 | 8 |
| 3 | NUT, 1/4-20 KEPS | F05010-9 | 6 |
| 4 | LATCH, FLEXIBLE DRAW | 014829 | 2 |
| 5 | SCREW, #10-24 X 3/8" CROSS SLOTTED ROUND HEAD | F05004-3 | 8 |
| 6 | NUT, #10-24 SELF-LOCKING HEX | F05010-14 | 8 |
| 7 | COVER, LT35 IDLE SIDE BLADE HOUSING (Includes Cover Decals - See Section 4.2) | 065068 | 1 |
| 8 | BLOCK, BLADE VIBRATION DAMPENING | 015844 | 1 |
| 9 | BOLT, #10 X 3/4" SLOTTED HEX WASHER HEAD | F05015-33 | 2 |
| 10 | BRACKET WELDMENT, LT15 BELT ENHANCE | 074394 | 1 |
| 11 | WASHER, 1/4" SAE FLAT | F05011-11 | 2 |
| 12 | NUT, 3/8-16 JAM | F05010-29 | 1 |
| 13 | SCREW, 3/8-16 X 1 1/4 SHOP SET | F05007-18 | 1 |
| | COVER ASSEMBLY, TOP ENGINE PULLEY | 038633 | 1 |
| 14 | Cover Weldment, LT15/28 Top Belt Cover | 074574 | 1 |
| 15 | Plate, Belt Guard Cover | 074546 | 1 |
| 16 | Bolt, 1/4-20 x 3/4" Hex Head w/Conical Washer | F05005-134 | 4 |

4 Saw Head

Sawdust Chute

4.4 Sawdust Chute



| REF | DESCRIPTION (◆ Indicates Parts Available In Assemblies Only) | PART # | QTY. |
|------------|--|-----------|------|
| 1-6 | CHUTE ASSEMBLY, LT28 SAWDUST | 038747 | 1 |
| 1 | Chute Wldmt, LT28 Sawdust | 038746 | 1 |
| 2 | Chute, Rubber Sawdust | 016727 | 1 |
| 3 | Bolt, #10-24x1/2 Self Tap | F05015-7 | 2 |
| 4 | Bolt, 5/16-18x3/4 HHC | F05006-5 | 2 |
| 5 | Washer, 5/16 Split Lock | F05011-13 | 2 |
| 6 | Washer, 5/16 SAE Flat | F05011-17 | 2 |
| 7 | STRAP, 9IN RUBBER WITH HOOKS | 012965 | 1 |
| 8 | BOLT, 1/4-20X1 CARRIAGE | F05005-34 | 1 |
| 9 | WASHER, 1/4 SAE FLAT | F05011-11 | 1 |
| 10 | NUT, 1/4-20 SWAGED | F05010-21 | 1 |

SECTION 5 ENGINE OPTIONS

LT35/LT35HD

| REF | DESCRIPTION | MASTER | Elec. Info | |
|-----|---|-----------------------|---------------------|--|
| | D17 KOHLER ENGINE OPTION (SEE ENGINE OPTION MANUAL) | M1724 | D17 | |
| | D24 KOHLER ENGINE OPTION (SEE ENGINE OPTION MANUAL) | M2208 | D24 | |
| | G25 KOHLER ENGINE OPTION (SEE ENGINE OPTION MANUAL) | M1726 | G25 | |

SECTION 6 OPTIONS & ADDITIONAL INCLUDED EQUIPMENT

LT35

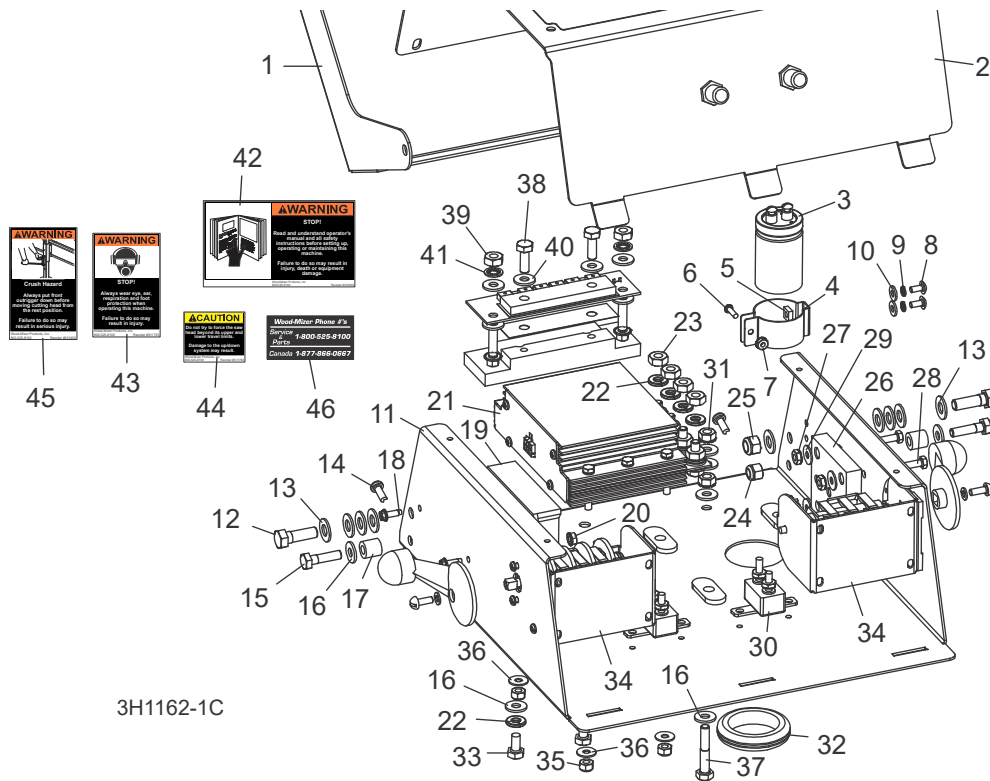
| REF | DESCRIPTION | MASTER | |
|--------------------------|---|-----------------------|--|
| AVAILABLE OPTIONS | | | |
| | BED EXTENSION (SEE MANUAL) | M530 | |
| | DEBARKER (076030) (SEE MANUAL) | M2048 | |
| | FINE ADJUST OUTRIGGERS (2008) (SEE MANUAL) | M1524 | |
| | HYDRAULIC LOG LOADER/TURNER (LT35) (SEE MANUAL) | M1797 | |
| | LOG DECK PACKAGE (SEE MANUAL) | M823 | |
| | LOG TURNER (SEE MANUAL) | M620 | |
| | TOE BOARD (SEE MANUAL) | M627 | |
| | WINCH (SEE MANUAL) | M682 | |

SECTION 7 CONTROL & BATTERY BOXES

7.1 Control Assembly

LT35
LT35HD

Rev. A5.00+
Rev. A5.00+



3H1162-1C

| REF | DESCRIPTION (◆ Indicates Parts Available In Assemblies Only) | PART # | QTY. |
|-----|---|------------|------|
| | CONTROL ASSEMBLY, LT35D17/G25 POWER FEED | 073542 | 1 |
| | CONTROL ASSEMBLY, LT35D24 POWER FEED | 073559 | 1 |
| 1 | Plate, LT35 Control Box Cover | 071337 | 1 |
| 2 | LT35 Operator Panel Parts (See Section 7.5) | N/A | 1 |
| 3 | Capacitor Assembly, PF Filter | 052365 | 1 |
| 4 | Clamp, Capacitor Metal 1-3/8 Cylindrical | 024410 | 1 |
| 5 | Nut, #8-32 Square | F05010-153 | 2 |
| 6 | Screw, #6-32 x 1/2" SI RH | F05015-24 | 1 |
| 7 | Nut, #6-32 Keps | F05010-59 | 1 |
| 8 | Screw, #8-32 x 3/8" Round Hd Mach Grade 5 | F05004-157 | 2 |
| 9 | Washer, #8 Split Lock | F05011-84 | 2 |
| 10 | Washer, #8 SAE Flat | F05011-41 | 2 |
| 11 | Box Weldment, LT35 Control Bottom | 071335 | 1 |
| 12 | Bolt, 5/16-18 x 1" Hex Head | F05006-1 | 2 |
| 13 | Washer, 5/16" SAE Flat | F05011-17 | 10 |
| 14 | Bolt, #10-24 x 1/2 Ph Pan Hd, Type 23 | F05015-17 | 7 |

7 Control & Battery Boxes

Control Assembly

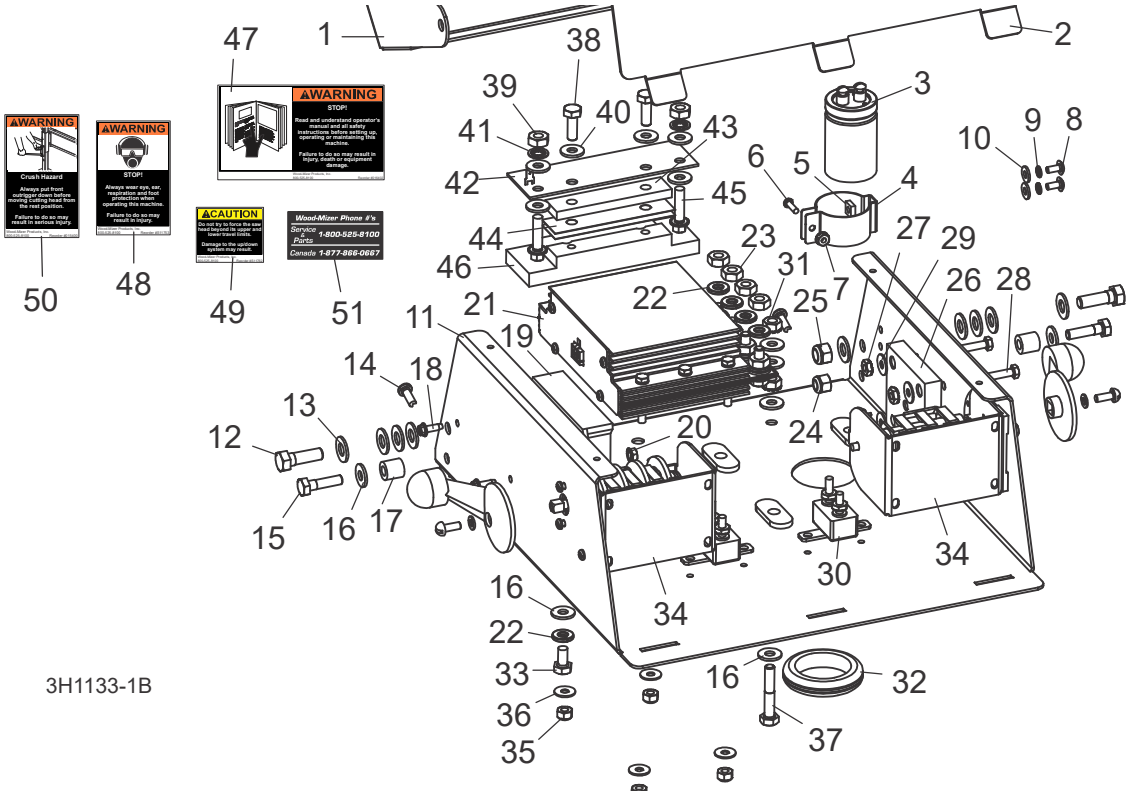
| | | | | |
|----|---|---------------------|---|--|
| 15 | Bolt, 1/4-20 x 1" Hex Head Grade 5 | F05005-101 | 2 | |
| 16 | Washer, 1/4" SAE Flat | F05011-11 | 8 | |
| 17 | Bushing, 1/4" IDx1/2" OD Nylon | 076008 | 2 | |
| 18 | Bolt, #8-32 x 1/2" SI Hex Head | F05015-18 | 2 | |
| 19 | Control Module, Power Feed SMT | 024396-1 | 1 | |
| | Suppressor Assembly, 92+ Power Feed | 052294 | 1 | |
| 20 | Nut, #8-32 Keps | F05010-41 | 2 | |
| 21 | H-Bridge Assembly, SimpleSet | 053373 | 1 | |
| 22 | Washer, 1/4" Split Lock | F05011-14 | 4 | |
| 23 | Nut, 1/4-20 Jam Heavy Duty | F05010-129 | 4 | |
| 24 | Nut, 1/4-20 Nylock | F05010-69 | 2 | |
| 25 | Nut, 5/16-18 Nylok Hex | F05010-58 | 2 | |
| 26 | Block, Diode Heat Sink | 024404 | 1 | |
| | Pad, Diode Block Insulating | 024403 | 1 | |
| | Insulator, Nylon Screw #10 1/2in | 024409 | 4 | |
| 27 | Nut, #10-24 Keps | F05010-14 | 4 | |
| 28 | Bolt, #10-24 x1 Unslotted Hex Head Grade 2 | F05004-156 | 4 | |
| 29 | Washer, #10 SAE Flat | F05011-18 | 4 | |
| 30 | Breaker, 10A Manual Reset | 053464 | 2 | |
| 31 | Nut, 1/4-20 Keps | F05010-9 | 2 | |
| 32 | Grommet, 25Pk 1-1/2" ID Rubber | 053784 | 1 | |
| 33 | Bolt, 1/4-20 x 1/2" Hex Head | F05005-15 | 2 | |
| 34 | Drum Switch Parts (See Section 7.4) | N/A | 2 | |
| 35 | Nut, 10-24 Hex Nylock | F05010-160 | 4 | |
| 36 | Washer, #10 SAE Flat | F05011-18 | 4 | |
| 37 | Bolt, 1/4-20x1 1/2 HH FT | F05005-31 | 1 | |
| | Module Assembly, Mosfet SMT 97+ P/F | 024387 | 1 | |
| 38 | Bolt, 1/4-20x3/4 FT HHC | F05005-1 | 2 | |
| 39 | Nut, 1/4-20 Jam Heavy Duty | F05010-129 | 2 | |
| 40 | Washer, 1/4" SAE Flat | F05011-11 | 6 | |
| 41 | Washer, 1/4" Int Star Heavy Duty | F05011-69 | 2 | |
| | Harness Assembly, LT35 Simple Set Drum Switch | 073778 | 1 | |
| | Harness Assembly, LT35 Upper (D17/G25 Only) | 073502 ¹ | 1 | |
| | Harness Assembly, LT35 Upper (D24 Only) | 073558 | 1 | |
| | Cable Assembly, Remote SimpleSet Sensor | 053632-FR | 1 | |
| | Diode Assembly, 96+ PF Replacement | 052363 | 1 | |
| 42 | DECAL, READ MANUAL WARNING | 016402 | 1 | |
| 43 | DECAL, EYE/EAR PROTECTION WARNING | S11753 | 1 | |
| 44 | DECAL, UP/DOWN CAUTION | S11762 | 1 | |
| 45 | DECAL, FRONT OUTRIGGER WARNING | 015400 | 1 | |
| 46 | DECAL, 800 NUMBER | S12117 | 1 | |

¹ Upper harness modified to add ignition and start wires allowing to use key switch in control box to start engine (LT35/LT35HD Rev. A6.00).

7.2 Control Assembly

LT35
LT35HD

Rev. A4.00 - A4.01
Rev. A4.00 - A4.01



3H1133-1B

| REF | DESCRIPTION (◆ Indicates Parts Available In Assemblies Only) | PART # | QTY. |
|-----|---|------------|------|
| | CONTROL ASSEMBLY, LT35D17 POWER FEED | 071334 | 1 |
| 1 | Plate, LT35 Control Box Cover | 071337 | 1 |
| 2 | LT35 Operator Panel Parts (See Section 7.6) | N/A | 1 |
| 3 | Capacitor Assembly, PF Filter | 052365 | 1 |
| 4 | Clamp, Capacitor Metal 1-3/8 Cylindrical | 024410 | 1 |
| 5 | Nut, #8-32 Square | F05010-153 | 2 |
| 6 | Screw, #6-32 x 1/2" SI RH | F05015-24 | 1 |
| 7 | Nut, #6-32 Keps | F05010-59 | 1 |
| 8 | Screw, #8-32 x 3/8" Round Hd Mach Grade 5 | F05004-157 | 2 |
| 9 | Washer, #8 Split Lock | F05011-84 | 2 |
| 10 | Washer, #8 SAE Flat | F05011-41 | 2 |
| 11 | Box Weldment, LT35 Control Bottom | 071335 | 1 |
| 12 | Bolt, 5/16-18 x 1" Hex Head | F05006-1 | 2 |
| 13 | Washer, 5/16" SAE Flat | F05011-17 | 10 |
| 14 | Bolt, #10-24 x 1/2 Ph Pan Hd, Type 23 | F05015-17 | 7 |
| 15 | Bolt, 1/4-20 x 1" Hex Head Grade 5 | F05005-101 | 2 |

7 Control & Battery Boxes

Control Assembly

| | | | | |
|----|---|---------------------|---|--|
| 16 | Washer, 1/4" SAE Flat | F05011-11 | 8 | |
| 17 | Bushing, 1/4" IDx1/2" OD Nylon | 076008 | 2 | |
| 18 | Bolt, #8-32 x 1/2" SI Hex Head | F05015-18 | 2 | |
| 19 | Control Module, Power Feed SMT | 024396-1 | 1 | |
| 20 | Nut, #8-32 Keps | F05010-41 | 2 | |
| 21 | H-Bridge Assembly, SimpleSet | 053373 | 1 | |
| 22 | Washer, 1/4" Split Lock | F05011-14 | 4 | |
| 23 | Nut, 1/4-20 Jam Heavy Duty | F05010-129 | 4 | |
| 24 | Nut, 1/4-20 Nylock | F05010-69 | 2 | |
| 25 | Nut, 5/16-18 Nylok Hex | F05010-58 | 2 | |
| 26 | Block, Diode Heat Sink | 024404 | 1 | |
| | Pad, Diode Block Insulating | 024403 | 1 | |
| | Insulator, Nylon Screw #10 1/2in | 024409 | 4 | |
| 27 | Nut, #10-24 Keps | F05010-14 | 4 | |
| 28 | Bolt, #10-24 x1 Unslotted Hex Head Grade 2 | F05004-156 | 4 | |
| 29 | Washer, #10 SAE Flat | F05011-18 | 4 | |
| 30 | Breaker, 10A Manual Reset | 053464 | 2 | |
| 31 | Nut, 1/4-20 Keps | F05010-9 | 2 | |
| 32 | Grommet, 25Pk 1-1/2" ID Rubber | 053784 | 1 | |
| 33 | Bolt, 1/4-20 x 1/2" Hex Head | F05005-15 | 2 | |
| 34 | Drum Switch Parts (See Section 7.4) | N/A | 2 | |
| 35 | Nut, 10-24 Hex Nylock | F05010-160 | 4 | |
| 36 | Washer, #10 SAE Flat | F05011-18 | 4 | |
| 37 | Bolt, 1/4-20x1 1/2 HH FT | F05005-31 | 1 | |
| | Module Assembly, Mosfet SMT 97+ P/F | 024387 | 1 | |
| 38 | Bolt, 1/4-20x3/4 FT HHC | F05005-1 | 2 | |
| 39 | Nut, 1/4-20 Jam Heavy Duty | F05010-129 | 2 | |
| 40 | Washer, 1/4" SAE Flat | F05011-11 | 6 | |
| 41 | Washer, 1/4" Int Star Heavy Duty | F05011-69 | 2 | |
| 42 | PCB Assy, MOSFET Module SMT | 024502 | 1 | |
| 43 | Block, Mosfet Module 6x SMT Clamp | 024386 | 1 | |
| 44 | Pad, Mosfet Module 6x SMT | 024388 | 2 | |
| 45 | Screw, 1/4-20 x 1" Hex Flange Serrated SC | F05005-136 | 2 | |
| 46 | Block, Mosfet Module 6x SMT | 024385 | 1 | |
| | Harness Assembly, LT35 Simple Set Drum Switch | 073778 | 1 | |
| | Harness Assembly, LT35 Upper | 073502 ¹ | 1 | |
| | Cable Assembly, Remote SimpleSet Sensor | 053632-FR | 1 | |
| | Diode Assembly, 96+ PF Replacement | 052363 | 1 | |
| 47 | DECAL, READ MANUAL WARNING | 016402 | 1 | |
| 48 | DECAL, EYE/EAR PROTECTION WARNING | S11753 | 1 | |
| 49 | DECAL, UP/DOWN CAUTION | S11762 | 1 | |
| 50 | DECAL, FRONT OUTRIGGER WARNING | 015400 | 1 | |
| 51 | DECAL, 800 NUMBER | S12117 | 1 | |

¹ Upper harness modified to add ignition and start wires allowing to use key switch in control box to start engine (LT35/LT35HD Rev. A6.00).

7 Control & Battery Boxes

Control Assembly

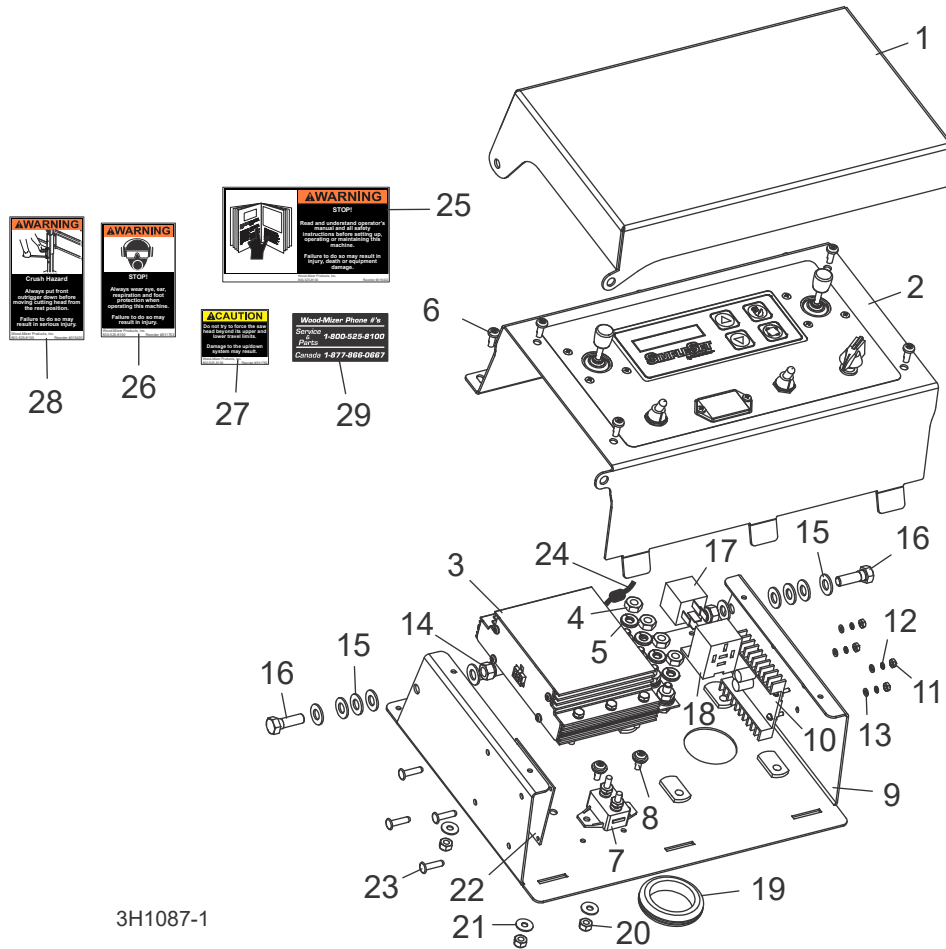
7.3 Control Assembly

LT35

Rev. A1.00 - A3.00

LT35HD

Rev. A1.00 - A3.00



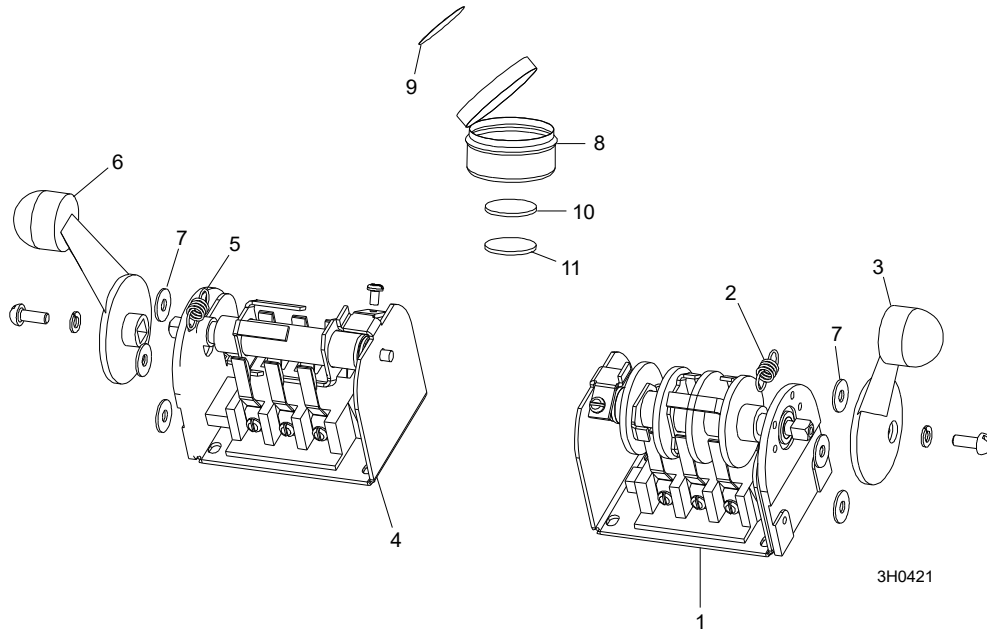
3H1087-1

| REF | DESCRIPTION (◆ Indicates Parts Available In Assemblies Only) | PART # | QTY. |
|-----|--|------------|------|
| | CONTROL ASSEMBLY, LT35G25 POWER FEED | 062521 | 1 |
| | CONTROL ASSEMBLY, LT35D17 POWER FEED | 053788 | 1 |
| 1 | Plate, LT35 Control Box Cover | 062525 | 1 |
| 2 | LT35G25 Operator Panel Parts (See Section 7.7) | 053786 | 1 |
| | LT35D17 Operator Panel Parts (See Section 7.7) | 053789 | 1 |
| 3 | H-Bridge Assembly, SimpleSet | 053373 | 1 |
| 4 | Nut, 1/4-20 Jam Heavy Duty | F05010-129 | 4 |
| 5 | Washer, 1/4" Split Lock | F05011-14 | 4 |
| 6 | Bolt, #10-24 x 1/2" Ph Pan Hd Type 23 | F05015-17 | 7 |
| 7 | Breaker, 25A 12V Auto Reset | 053781 | 1 |
| 8 | Screw, #10-24 x 1/2" Phil | F05004-186 | 3 |
| 9 | Control Box Weldment, LT35 Bottom | 065052 | 1 |
| 10 | Driver Assembly, LT35 PF | 057829 | 1 |

| | | | | |
|----|--|------------|----|--|
| 11 | Nut, #4-40 Hex | F05010-43 | 4 | |
| 12 | Washer, #4 Split Lock | F05011-21 | 4 | |
| 13 | Washer, #4 Flat | F05011-10 | 4 | |
| 14 | Nut, 5/16-18 Nylok Hex | F05010-58 | 2 | |
| 15 | Washer, 5/16" SAE Flat | F05011-17 | 10 | |
| 16 | Bolt, 5/16-18 x 1" Hex Head | F05006-1 | 2 | |
| 17 | Relay, 40A 12VDC Automotive | 050436 | 1 | |
| 18 | Socket, 5 Pos Std Relay | 053699 | 1 | |
| 19 | Grommet, 1-1/2" ID Rubber | 053784 | 1 | |
| 20 | Nut, 10-24 Hex Nylock | F05010-160 | 4 | |
| 21 | Washer, #10 SAE Flat | F05011-18 | 4 | |
| 22 | PCB Assembly, LT35 Relay | 053772 | 1 | |
| 23 | Standoff, PC Board 3/8 | P10489 | 4 | |
| 24 | Fuseholder Assembly, LT35 2A | 053776 | 1 | |
| | Harness Assembly, LT35 Main Relay | 053775 | 1 | |
| | Harness Assembly, LT35 Simple Set | 053778 | 1 | |
| | Harness Assembly, LT35G25 Upper | 053779 | 1 | |
| | Harness Assembly, LT35D17 Upper | 053787 | 1 | |
| | Cable Assembly, Remote SimpleSet Sensor | 053632 | 1 | |
| 25 | DECAL, READ MANUAL WARNING | 016402 | 1 | |
| 26 | DECAL, EYE/EAR PROTECTION WARNING | S11753 | 1 | |
| 27 | DECAL, UP/DOWN CAUTION | S11762 | 1 | |
| 28 | DECAL, FRONT OUTRIGGER WARNING | 015400 | 1 | |
| 29 | DECAL, 800 NUMBER | S12117 | 1 | |

7 **Control & Battery Boxes**
Control Assembly

7.4 Drum Switches



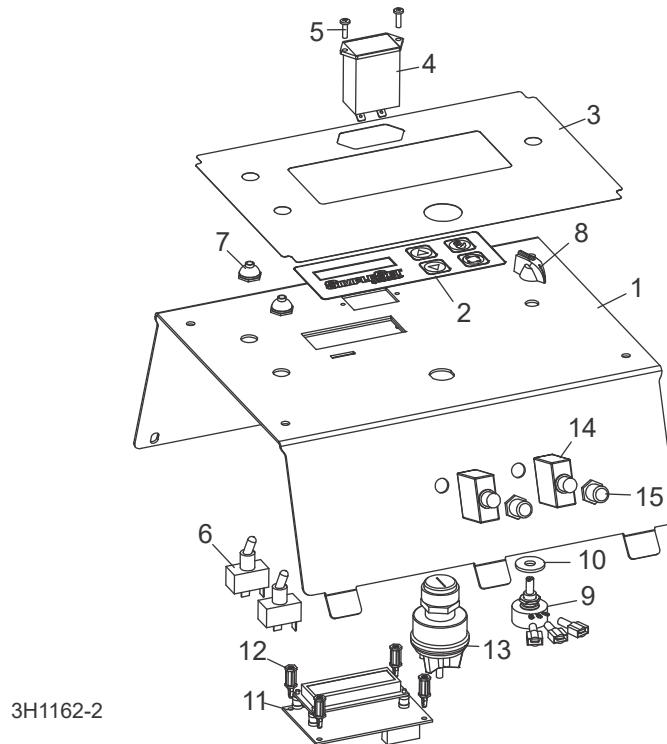
| REF | DESCRIPTION (◆ Indicates Parts Available In Assemblies Only) | PART # | QTY. | |
|-----|--|-----------|---------|---|
| | SWITCH ASSEMBLY, UP/DOWN DRUM | E20440 | 1 | |
| 1 | Switch, S12 Bulk Drum | E20440-B | 1 | ◆ |
| 2 | Spring, Drum Switch | P12570 | 1 | |
| 3 | Handle, Drum Switch Replacement | P12500 | 1 | |
| | SWITCH ASSEMBLY, POWER FEED DRUM | E20439 | 1 | |
| 4 | Switch, S11 Bulk Drum | E20439-B | 1 | ◆ |
| 5 | Spring, Drum Switch | P12570 | 1 | |
| 6 | Handle, Drum Switch Replacement | P12500 | 1 | |
| 7 | WASHER, #8 SAE FLAT | F05011-41 | 6 | |
| | CUP ASSEMBLY, DRUM SWITCH GREASE | A20463 | 1 | |
| 8 | Cup, Plastic Container | P20464 | 1 | ◆ |
| 9 | Decal, Grease Cup Label | P20467 | 1 | |
| 10 | Pad, Velcro Loop | P20466 | 1 | ◆ |
| 11 | Pad, Velcro Hook | P20465 | 1 | ◆ |
| | Grease, High Temp Drum Switch | P20468 | .025 lb | ◆ |

7 **Control & Battery Boxes**
Drum Switches

7.5 Front Panel Assembly

LT35
LT35HD

Rev. A5.00+
Rev. A5.00+

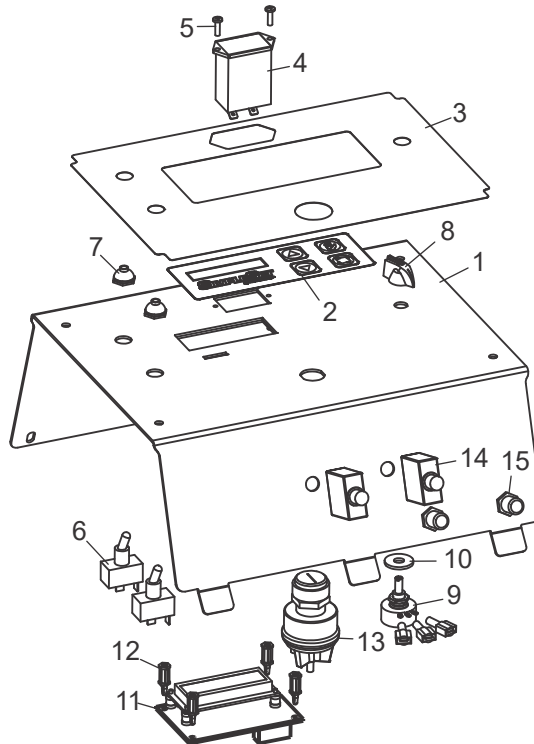


| REF | DESCRIPTION (◆ Indicates Parts Available In Assemblies Only) | PART # | QTY. |
|-----|--|-----------|-------|
| | PANEL ASSEMBLY, LT35 OPERATOR | 073541 | 1 |
| 1 | Top Weldment, LT35 Control Box | 071339 | 1 |
| 2 | Membrane, SimpleSet Switch | 053347 | 1 |
| 3 | Decal LT35 Control Box | 071341 | 1 |
| 4 | Meter, Hour | 015401 | 1 |
| 5 | Screw, #6-32 x 1/2" Plain PH T23 | F05015-28 | 2 |
| 6 | Switch, SPST On/Off 15A .25 Tabs Toggle | P03027 | 2 |
| 7 | Boot, Toggle Switch | P02575 | 2 |
| 8 | Knob, Speed Control | P06257 | 1 |
| 9 | Pot Assembly, w/Terminals | 076050 | 1 |
| 10 | Washer, 5/16" Standard Flat | F05011-16 | 1 |
| 11 | SimpleSet Controller, LT35 (Field Replacement) | 073540-FR | 1 |
| 12 | Standoff, 5/8" Threaded PCB | 053385 | 4 |
| 13 | Switch, Key | P04350 | 1 |
| 14 | Breaker, 50A Manual Reset Panel Mount | 021256 | 2 |
| 15 | Boot, Circuit Breaker | 021253 | 2 |
| | Foam, 3/16x1/2 Adhesive Back Rubber | R02309 | 2 ft. |

7.6 Front Panel Assembly

LT35
LT35HD

Rev. A4.00 - A4.01
Rev. A4.00 - A4.01

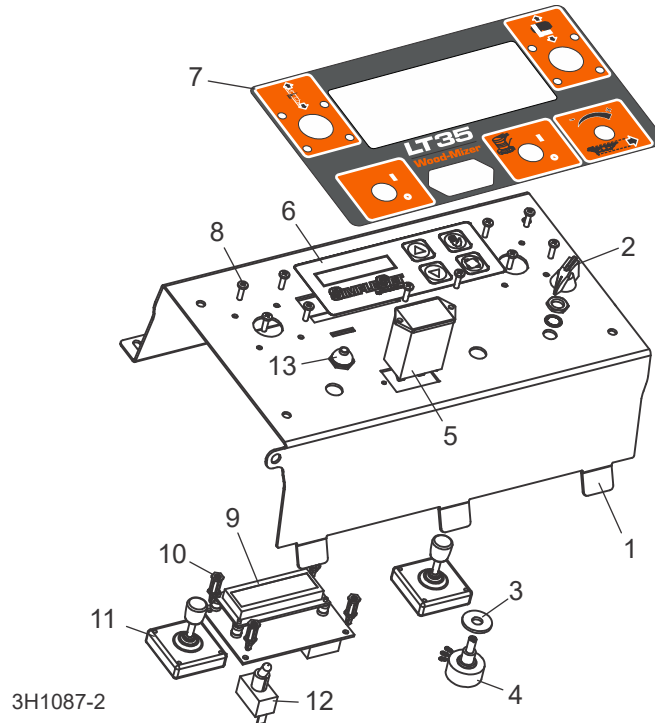


| REF | DESCRIPTION (◆ Indicates Parts Available In Assemblies Only) | PART # | QTY. |
|-----|--|-----------|-------|
| | PANEL ASSEMBLY, LT35 OPERATOR | 071338 | 1 |
| 1 | Top Weldment, LT35 Control Box | 071339 | 1 |
| 2 | Membrane, SimpleSet Switch | 053347 | 1 |
| 3 | Decal LT35 Control Box | 071341 | 1 |
| 4 | Meter, Hour | 015401 | 1 |
| 5 | Screw, #6-32 x 1/2" Plain PH T23 | F05015-28 | 2 |
| 6 | Switch, SPST On/Off 15A .25 Tabs Toggle | P03027 | 2 |
| 7 | Boot, Toggle Switch | P02575 | 2 |
| 8 | Knob, Speed Control | P06257 | 1 |
| 9 | Pot Assembly, w/Terminals | 076050 | 1 |
| 10 | Washer, 5/16" Standard Flat | F05011-16 | 1 |
| 11 | SimpleSet Controller, (Field Replacement) | 053774-FR | 1 |
| 12 | Standoff, 5/8" Threaded PCB | 053385 | 4 |
| 13 | Switch, Key | P04350 | 1 |
| 14 | Breaker, 50A Manual Reset Panel Mount | 021256 | 2 |
| 15 | Boot, Circuit Breaker | 021253 | 2 |
| | Foam, 3/16x1/2 Adhesive Back Rubber | R02309 | 2 ft. |

7.7 Front Panel Assembly

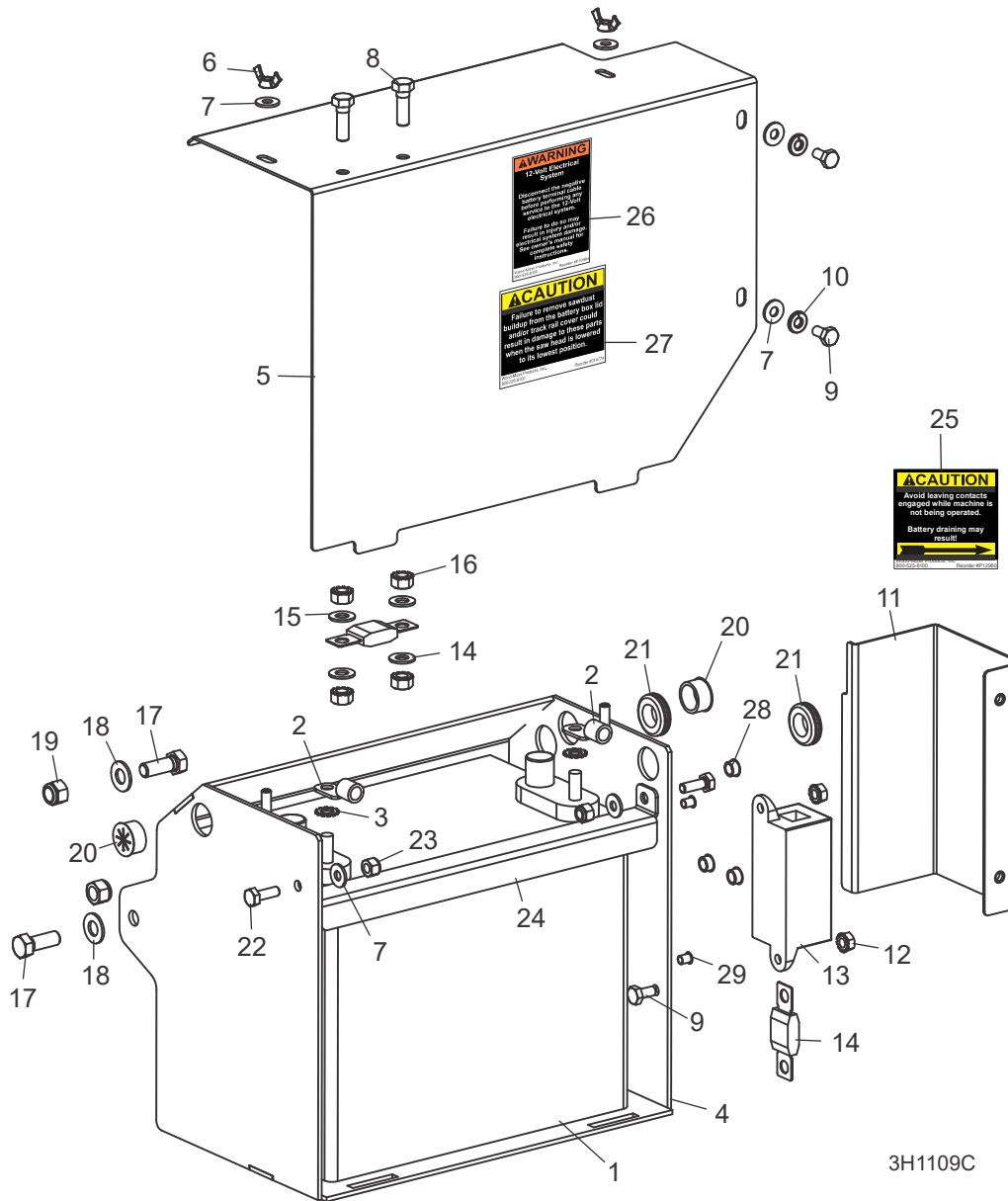
LT35
LT35HD

Rev. A1.00 - A3.00
Rev. A1.00 - A3.00



| REF | DESCRIPTION (◆ Indicates Parts Available In Assemblies Only) | PART # | QTY. |
|-----|--|-----------|-------|
| | PANEL ASSEMBLY, LT35G25 OPERATOR | 053786 | 1 |
| | PANEL ASSEMBLY, LT35D17 OPERATOR | 053789 | 1 |
| 1 | Control Box Weldment, LT35 Top | 062522 | 1 |
| 2 | Knob, Speed Control | P06257 | 1 |
| 3 | Washer, 5/16" Standard Flat | F05011-16 | 1 |
| 4 | Pot Assembly, Feed Rate Control Pre-92 | A07793 | 1 |
| 5 | Meter, Hour Digital w/Gasket (G25 Only) | 015401 | 1 |
| | Plate, Hour Meter Cover (D17 Only) | 065186 | 1 |
| 6 | Membrane, SimpleSet Switch | 053347 | 1 |
| 7 | Decal, LT35 Operator | 062540 | 1 |
| 8 | Screw, #6-32 x 1/2" Plain PH T23 | F05015-28 | 10 |
| 9 | SimpleSet Controller, (Field Replacement) | 053774-FR | 1 |
| 10 | Standoff, 5/8" Threaded PCB | 053385 | 4 |
| 11 | Switch Assembly, 4 Pos Joystick | 053771 | 2 |
| 12 | Switch, SPST On/Off 15A .25 Tabs Toggle | P03027 | 1 |
| 13 | Boot, Toggle Switch | P02575 | 1 |
| | Foam, 3/16x1/2 Adhesive Back Rubber | R02309 | 2 ft. |

7.8 Battery Box Assembly



| REF | DESCRIPTION (◆ Indicates Parts Available In Assemblies Only) | PART NUMBER | QTY. |
|-----|--|-------------|------|
| | BATTERY BOX ASSEMBLY, LT35 | 065583 | 1 |
| 1 | Battery, Deka 12V, 24M77 800CCA 1000CA | P12315 | 1 |
| 2 | Terminal, 5/16 1-2 Ga Ring NI Loose | F05092-16 | 2 |
| 3 | Washer, 5/16" Star | F05011-33 | 2 |
| 4 | Box Weldment, LT35 Battery | 062542 | 1 |
| 5 | Cover, LT35 Battery | 062546 | 1 |
| 6 | Nut, 1/4-20 Wing | F05010-13 | 2 |

Control & Battery Boxes

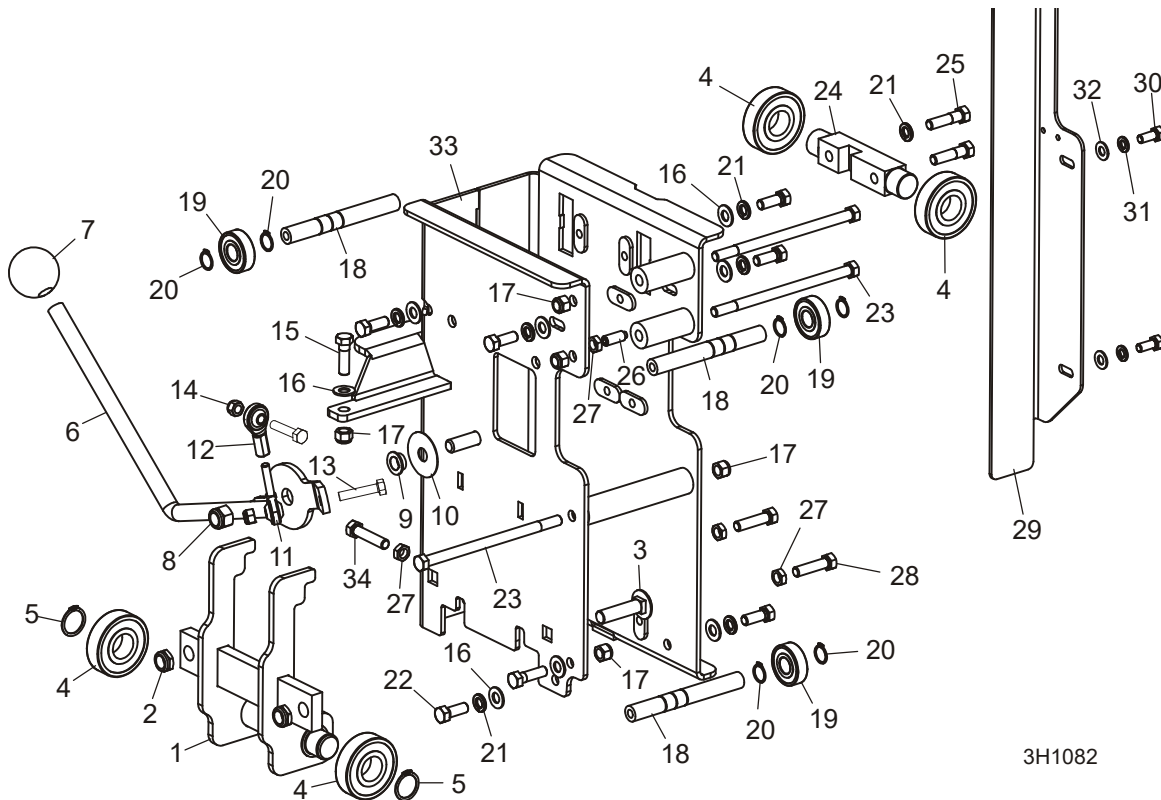
Battery Box Assembly

7

| | | | | |
|----|---|------------|---|--|
| 7 | Washer, 1/4" SAE Flat | F05011-11 | 6 | |
| 8 | Bolt, 5/16-18 X 1 Hex Head | F05006-1 | 2 | |
| 9 | Bolt, 1/4-20 x 1/2" Hex Head | F05005-15 | 6 | |
| 10 | Washer, 1/4" Split Lock | F05011-14 | 2 | |
| 11 | Cover Weldment, LT35 Fuse | 065040 | 1 | |
| 12 | Nut, 1/4-20 Keps | F05010-9 | 2 | |
| 13 | Fuseholder, Mega Fuse | 052371 | 1 | |
| 14 | Fuse, 150A Mega | 052370-150 | 2 | |
| 15 | Washer, 5/16" SAE Flat | F05011-17 | 4 | |
| 16 | Nut, 5/16-18 Keps | F05010-20 | 4 | |
| 17 | Bolt, 3/8-16 x 1" Hex Head Grade 5 | F05007-87 | 2 | |
| 18 | Washer, 3/8" Flat Sae | F05011-3 | 2 | |
| 19 | Nut, 3/8-16 Hex Nyloc | F05010-10 | 2 | |
| 20 | Grommet, 5/8" Wire | P04137 | 2 | |
| 21 | Grommet, 5/8" ID Rubber | P11764 | 2 | |
| 22 | Bolt, 1/4-20 x 3/4" Hex Head Grade 5 | F05005-123 | 2 | |
| 23 | Nut, 1/4-20 Nylock | F05010-69 | 2 | |
| 24 | Plate, Battery Hold Down | 065082 | 1 | |
| 25 | Decal, Hydraulic Contact Caution | P12960 | 1 | |
| 26 | Decal, 12V Warning | P10364 | 1 | |
| 27 | Decal, Battery Box Lid Caution | 014774 | 1 | |
| 28 | Plug, 13/32" Plastic | 014537 | 3 | |
| 29 | Plug, 1/4" Black Plastic | 003954 | 2 | |
| | Hydraulic Positive Contact Parts (See Section 11.3) | | | |

SECTION 8 UP/DOWN SYSTEM

8.1 Saw Head Mount



3H1082

| REF | DESCRIPTION (◆ Indicates Parts Available In Assemblies Only) | PART # | QTY. | |
|-----|--|---------------------|------|--|
| | BOX ASSEMBLY, LT35 MAST | 062519 ¹ | 1 | |
| 1 | Adjustment Weldment, Head LT28 | 048562 | 1 | |
| 2 | Nut, 1/2-13 Half Nylon Lock | F05010-127 | 2 | |
| 3 | Bolt, 1/2-13x2 Carriage | F05008-132 | 2 | |
| 4 | Bearing, .9843" x 2.4409" x .6693" | P08066 | 4 | |
| 5 | Ring, 25mm 5100-98 OR | F04254-26 | 1 | |
| 6 | Plate, Clutch Handle | 003327 | 1 | |
| 7 | Knob, 5/8-18 Ball | P04211 | 1 | |
| 8 | Nut, 1/2-13 Nylon Hex Lock | F05010-8 | 1 | |
| 9 | Bearing, SF1260-6 Bronze | P08060 | 1 | |
| 10 | Washer, 33/64 x 1 3/4 x 1/32 Nylon | 014972 | 1 | |
| 11 | Rod, 5/16-24 Male End | P09814 | 1 | |
| 12 | Rod, 5/16-24 Female End | P09813 | 1 | |
| 13 | Bolt, 5/16-18 x 1 1/2" Hex Head | F05008-96 | 2 | |
| 14 | Nut, 5/16-18 Nylon Lock | F05010-58 | 2 | |

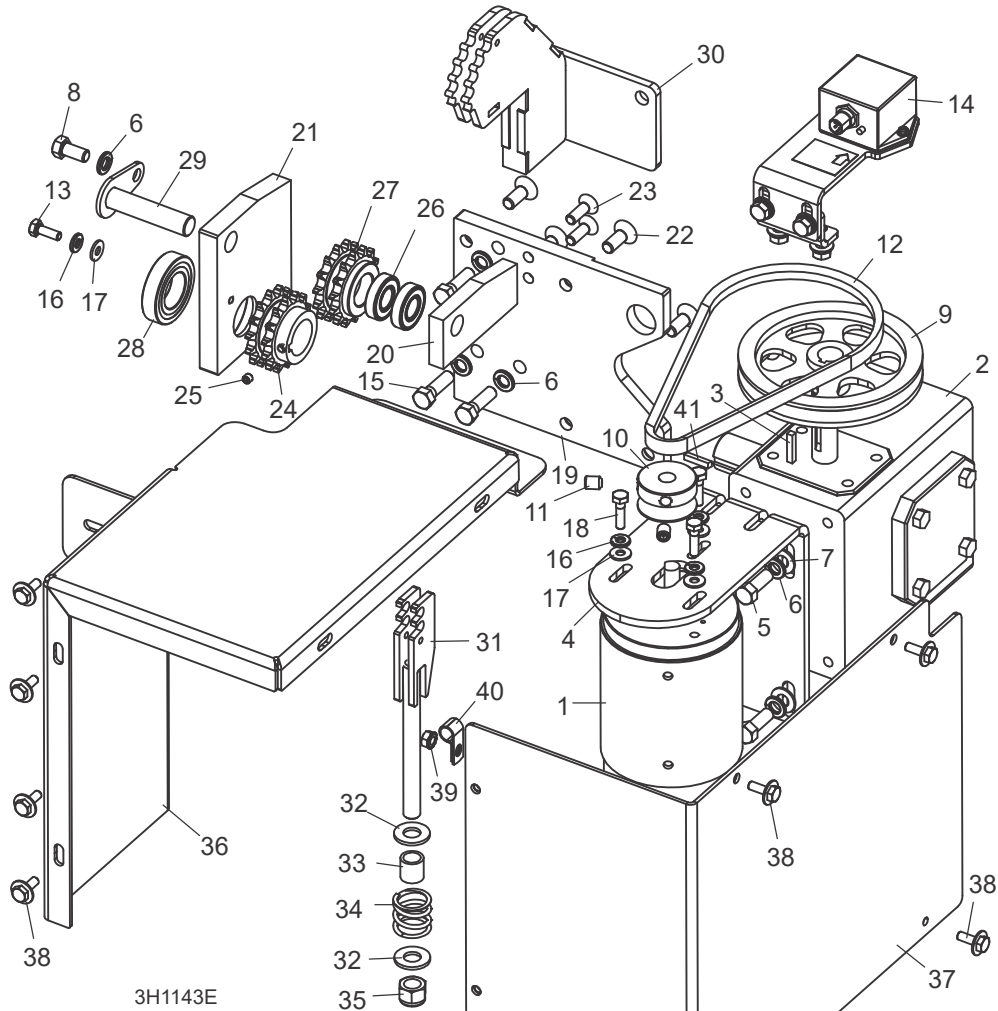
| | | | | |
|----|--|------------|---|--|
| 15 | Bolt, 3/8-16 x 1 1/4" Hex Head Grade 5 | F05007-123 | 1 | |
| 16 | Washer, 3/8" SAE Flat | F05011-3 | 6 | |
| 17 | Nut, 3/8-16 Hex Nylon Lock | F05010-10 | 5 | |
| 18 | Shaft, Bearing Mount | 048559 | 3 | |
| 19 | Bearing, 5/8" x 1.7548" x .4724" | P06030-1 | 3 | |
| 20 | Ring, 5/8" OR 5100-62 | F04254-2 | 6 | |
| 21 | Washer, 3/8" Split Lock | F05011-4 | 7 | |
| 22 | Bolt, 3/8-16 x 1" Hex Head Grade 5 | F05007-87 | 5 | |
| 23 | Bolt, 3/8-16 X 6 1/2" Hex Head Grade 5 | F05007-205 | 3 | |
| 24 | Shaft, Fixed Mount | 048560 | 1 | |
| 25 | Bolt, 3/8-16 x 1 1/2" Hex Head Grade 5 | F05007-78 | 2 | |
| 26 | Screw, 3/8-16x1 Scket Head Set Brass Tip | F05007-88 | 2 | |
| 27 | Nut, 3/8-16 Jam | F05010-29 | 2 | |
| 28 | Bolt, 3/8-16 x 1 1/2" Hex Head Full Thread | F05007-17 | 2 | |
| 29 | Plate, Scale Mount | 049133 | 1 | |
| 30 | Bolt, 5/16-18 x 3/4" Hex Head | F05006-102 | 2 | |
| 31 | Washer, 5/16" Split Lock | F05011-13 | 2 | |
| 32 | Washer, 5/16" SAE Flat | F05011-17 | 2 | |
| 33 | Box Weldment, LT35 Mast | 062516 | 1 | |
| 34 | Bolt, 3/8-16 x 1 3/4" Hex Head Full Thread | F05007-19 | 1 | |
| 35 | Screw, 3/8-16 x 1" Zinc & Bake FSHC | F05007-64 | 1 | |

¹ Modified to make access to blade guide jam nut easier for adjustments (LT35 Rev. A6.02/LT35HD Rev. A6.02).

8.2 Up/Down Assembly

LT35
LT35HD

Rev. A5.00+
Rev. A5.00+



| REF | DESCRIPTION (◆ Indicates Parts Available In Assemblies Only) | PART # | QTY. |
|-----|--|----------|------|
| | MAST ASSEMBLY, LT35 | 062515 | 1 |
| | Up/Down Assembly, LT35 | 066799 | 1 |
| 1 | Motor, 1/2HP 12VDC | 006747 | 1 |
| | Brush Kit, 12V Motor | 061794 | 1 |
| 2 | Gear Box, Up/Down Groove | 074166 | 1 |
| | Gear Box, Up/Down Groove | 076149 | 1 |
| | Gear Oil, ISO 460 Synthetic Bulk | L04869-3 | 1 |
| 3 | Key, 3/16" x 1" Square | S31027 | 1 |
| 4 | Bracket, Up/Down Motor 3/4HP | 008721 | 1 |
| 5 | Bolt, 3/8-16 x 1" Hex Head Cap | F05007-7 | 4 |
| 6 | Washer, 3/8" Split Lock | F05011-4 | 8 |

| | | | | |
|----|--|---------------------|---|--|
| 7 | Washer, 3/8" SAE Flat | F05011-3 | 4 | |
| 8 | Bolt, 3/8-16 x 3/4" Hex Head Grade 5 | F05007-118 | 1 | |
| 9 | Sheave, 5.45 OD 3/4 Bore 4L | 066781 | 1 | |
| 10 | Sheave, 1 3/4" Feed Motor | S09579 | 1 | |
| 11 | Screw, 3/8-16 x 1/2" SH Cup Pt Set | F05007-12 | 2 | |
| 12 | Belt, 4L245 Notched | 038459 | 1 | |
| 13 | Bolt, 1/4-20 x 3/4" Full Thread Hex Head Cap | F05005-1 | 1 | |
| 14 | Magnetic Position Sensor Parts (See Section 8.6) | | | |
| 15 | Bolt, 3/8-16 x 1 1/4" Hex Head Grade 5 | F05007-123 | 3 | |
| 16 | Washer, 1/4" Split Lock | F05011-14 | 4 | |
| 17 | Washer, 1/4" SAE Flat | F05011-11 | 4 | |
| 18 | Screw, 1/4-20 x 1" Hex Head Cap | F05005-38 | 3 | |
| 19 | Plate, LT35 Up/Down Mounting | 066797 | 1 | |
| 20 | Plate, Up/Down Sprocket Support | 066789 | 1 | |
| 21 | Plate, Up/Down Bearing Mount | 066795 | 1 | |
| 22 | Screw, 3/8-16 x 1" Zinc & Bake FSHC | F05007-64 | 5 | |
| 23 | Bolt, 5/16-18 x 1" FHS | F05006-22 | 2 | |
| 24 | Sprocket, D40B14 x 1-1/8" Keyed Bore | 066794 | 1 | |
| 25 | Screw, 1/4-20 x 1/4" SH Cup Pt Set | F05005-131 | 1 | |
| | Sprocket Assembly, D40B14 Idler | 074932 ¹ | 1 | |
| 26 | Bearing, 6202-16mm-2RLD | 074931 | 2 | |
| 27 | Sprocket, D40B14x1.376 Bore | 074930 | 1 | |
| 28 | Bearing, 1-1/8 Bore R18-2Rs | 066798 | 1 | |
| 29 | Pin Weldment, 5/8" x 2 3/4" | 066783 | 1 | |
| 30 | Mount Weldment, LT35 Upper Chain | 062526 ² | 1 | |
| | Tensioner Assembly, LT35 Up/Down Chain | 062527 | 1 | |
| 31 | Tensioner Weldment, LT35 Up/Down Chain | 062528 | 1 | |
| 32 | Washer, 1/2" SAE Flat | F05011-2 | 2 | |
| 33 | Spacer, Up/Down Chain Tensioner | 016515 | 1 | |
| 34 | Spring, 1" OD x 1" Long x .125 Wire Comp | 016516 | 1 | |
| 35 | Nut, 1/2-13 Hex Nylon Lock | F05010-8 | 1 | |
| | Chain, Double #40x 117 Pitches(58-1/2") | 074022 | 1 | |
| | Link, #40 Double, Connecting | 017724 | 2 | |
| 36 | GUARD WELDMENT, LT35 UP/DOWN | 076152 | 1 | |
| 37 | COVER WELDMENT, LT35 UP/DOWN GUARD | 076153 | 1 | |
| 38 | BOLT, 1/4-20 X 1/2" HEX HEAD | F05005-134 | 7 | |
| 39 | NUT, 1/4-20 KEPS | F05010-9 | 1 | |
| 40 | CLAMP, 3/8" EMT COATED | 071229 | 1 | |
| 41 | KEY, 1/4" X 1 11/16" | S04124 | 1 | |

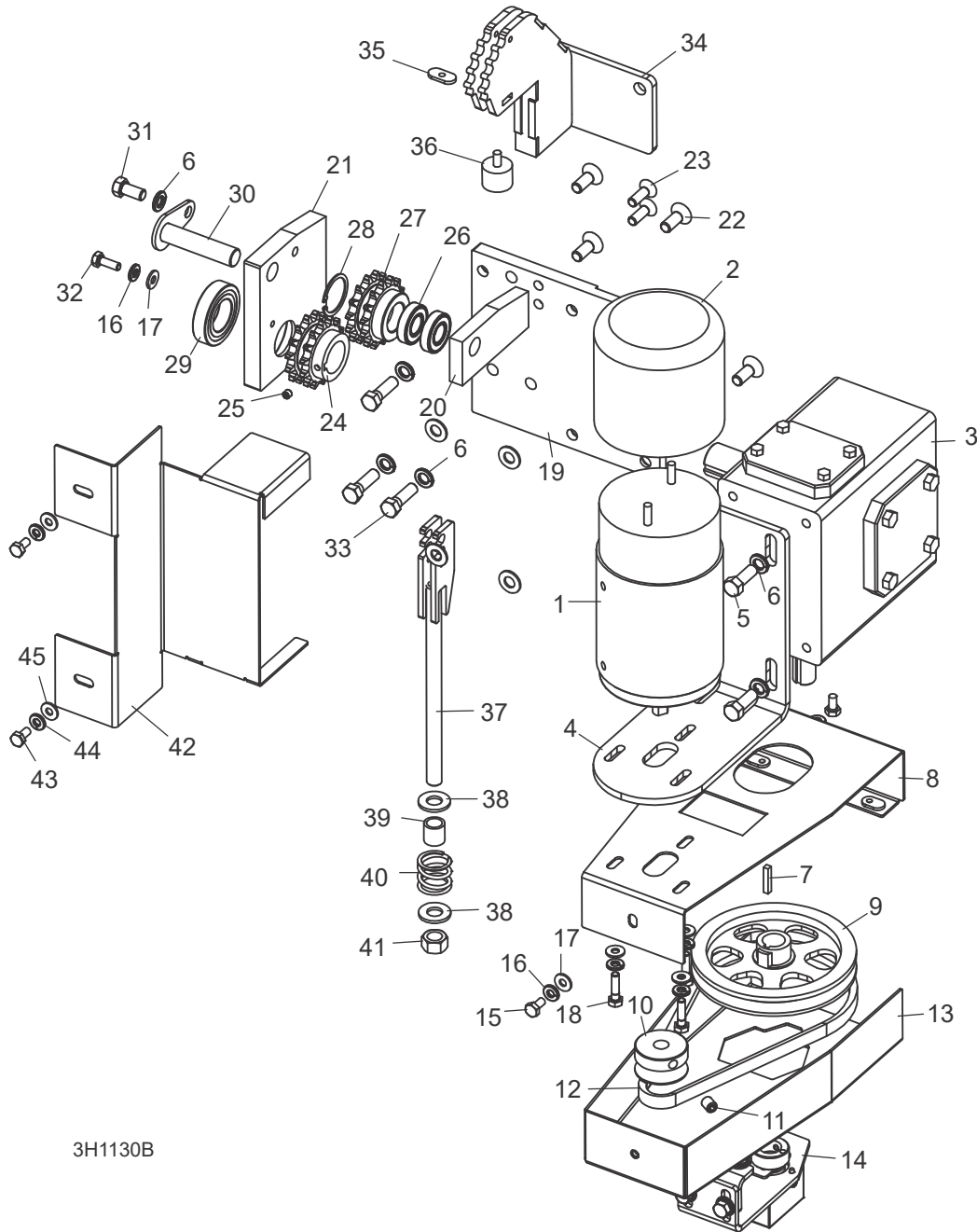
¹ Replaces 066792 D40B14 Idler Sprocket Assembly equipped with P04156 Bearing, 066796 Sprocket and F04254-11 1 3/8" IR 3000x137 Retaining Ring (4/16).

² 062526 Mount Weldment replaced 065723 Mount Assembly including 062526 Mount Weldment, S12392 1/4-20 Weld Nut and 065717 Rubber Bumper (LT35 Rev. A6.06/LT35HD Rev. A6.07).

8.3 Up/Down Assembly

LT35
LT35HD

Rev. A3.00 - A4.01
Rev. A3.00 - A4.01



3H1130B

| REF | DESCRIPTION (◆ Indicates Parts Available In Assemblies Only) | PART # | QTY. |
|-----|--|--------|------|
| | MAST ASSEMBLY, LT35 | 062515 | 1 |
| | Up/Down Assembly, LT35 | 066799 | 1 |

| | | | | |
|----|---|---------------------|---|--|
| 1 | Motor, 1/2HP 12VDC | 006747 | 1 | |
| | Brush Kit, 12V Motor | 061794 | 1 | |
| 2 | Boot, LT35 Debarker Motor Rubber | 065732 | 1 | |
| 3 | Gear Box, Up/Down Grove GR8245953.00 | 074124 ¹ | 1 | |
| | Gear Oil, ISO 460 Synthetic Bulk | L04869-3 | 1 | |
| 4 | Bracket, Up/Down Motor 3/4HP | 008721 | 1 | |
| 5 | Bolt, 3/8-16 x 1" Hex Head Cap | F05007-7 | 4 | |
| 6 | Washer, 3/8" Split Lock | F05011-4 | 8 | |
| 7 | Key, 3/16" x 1" Square | S31027 | 1 | |
| 8 | Mount, LT35 Up/Down Guard | 074170 ² | 1 | |
| 9 | Sheave, 5.45 OD 3/4 Bore 4L | 066781 | 1 | |
| 10 | Sheave, 1 3/4" Feed Motor | S09579 | 1 | |
| 11 | Screw, 3/8-16 x 1/2" SH Cup Pt Set | F05007-12 | 1 | |
| 12 | Belt, 4L245 Notched | 038459 | 1 | |
| 13 | Guard, LT35 Up/Down Weldment | 074173 ² | 1 | |
| 14 | Position Sensor Parts (See Section 8.7) | | | |
| 15 | Bolt, 1/4-20 x 1/2" Hex Head | F05005-15 | 3 | |
| 16 | Washer, 1/4" Split Lock | F05011-14 | 7 | |
| 17 | Washer, 1/4" SAE Flat | F05011-11 | 7 | |
| 18 | Screw, 1/4-20 x 1" Hex Head Cap | F05005-38 | 3 | |
| 19 | Plate, LT35 Up/Down Mounting | 066797 | 1 | |
| 20 | Plate, Up/Down Sprocket Support | 066789 | 1 | |
| 21 | Plate, Up/Down Bearing Mount | 066795 | 1 | |
| 22 | Screw, 3/8-16 x 1" Zinc & Bake FSHC | F05007-64 | 5 | |
| 23 | Bolt, 5/16-18 x 1" FHS | F05006-22 | 2 | |
| 24 | Sprocket, D40B14 x 1-1/8" Keyed Bore | 066794 | 1 | |
| 25 | Screw, 1/4-20 x 1/4" SH Cup Pt Set | F05005-131 | 1 | |
| | Sprocket Assembly, D40B14 Idler | 066792 | 1 | |
| 26 | Bearing, R-10 | P04156 | 2 | |
| 27 | Sprocket, D40B14 Modified | 066796 | 1 | |
| 28 | Ring, 1 3/8" IR 3000x137 Retaining | F04254-11 | 1 | |
| 29 | Bearing, 1-1/8 Bore R18-2Rs | 066798 | 1 | |
| 30 | Pin Weldment, 5/8" x 2 3/4" | 066783 | 1 | |
| 31 | Bolt, 3/8-16 x 3/4" Hex Head Grade 5 | F05007-118 | 1 | |
| 32 | Bolt, 1/4-20 x 3/4" Full Thread Hex Head Cap | F05005-1 | 1 | |
| 33 | Bolt, 3/8-16 x 1 1/4" Hex Head Grade 5 | F05007-123 | 3 | |
| | Mount Assembly, LT35 Upper Chain | 065723 | 1 | |
| 34 | Weldment, LT35 Upper Chain Mount | 062526 | 1 | |
| 35 | Nut, 1/4-20 Weld Plated | S12392 | 1 | |
| 36 | Bumper, 1" x 3/4" Hard Silicone Rubber | 065717 | 1 | |
| | Tensioner Assembly, LT35 Up/Down Chain | 062527 | 1 | |
| 37 | Tensioner Weldment, LT35 Up/Down Chain | 062528 | 1 | |
| 38 | Washer, 1/2" SAE Flat | F05011-2 | 2 | |

8 Up/Down System

Up/Down Assembly

| | | | | |
|----|--|-----------|---|--|
| 39 | Spacer, Up/Down Chain Tensioner | 016515 | 1 | |
| 40 | Spring, 1" OD x 1" Long x .125 Wire Comp | 016516 | 1 | |
| 41 | Nut, 1/2-13 Hex Nylon Lock | F05010-8 | 1 | |
| | Chain, Double #40x 117 Pitches(58-1/2") | 074022 | 1 | |
| | Link, #40 Double, Connecting | 017724 | 2 | |
| 42 | GUARD, LT35 UP/DOWN SPROCKET | 074013 | 1 | |
| 43 | BOLT, 1/4-20 X 1/2" HEX HEAD | F05005-15 | 2 | |
| 44 | WASHER, 1/4" SPLIT LOCK | F05011-14 | 2 | |
| 45 | WASHER, 1/4" FLAT | F05011-11 | 2 | |

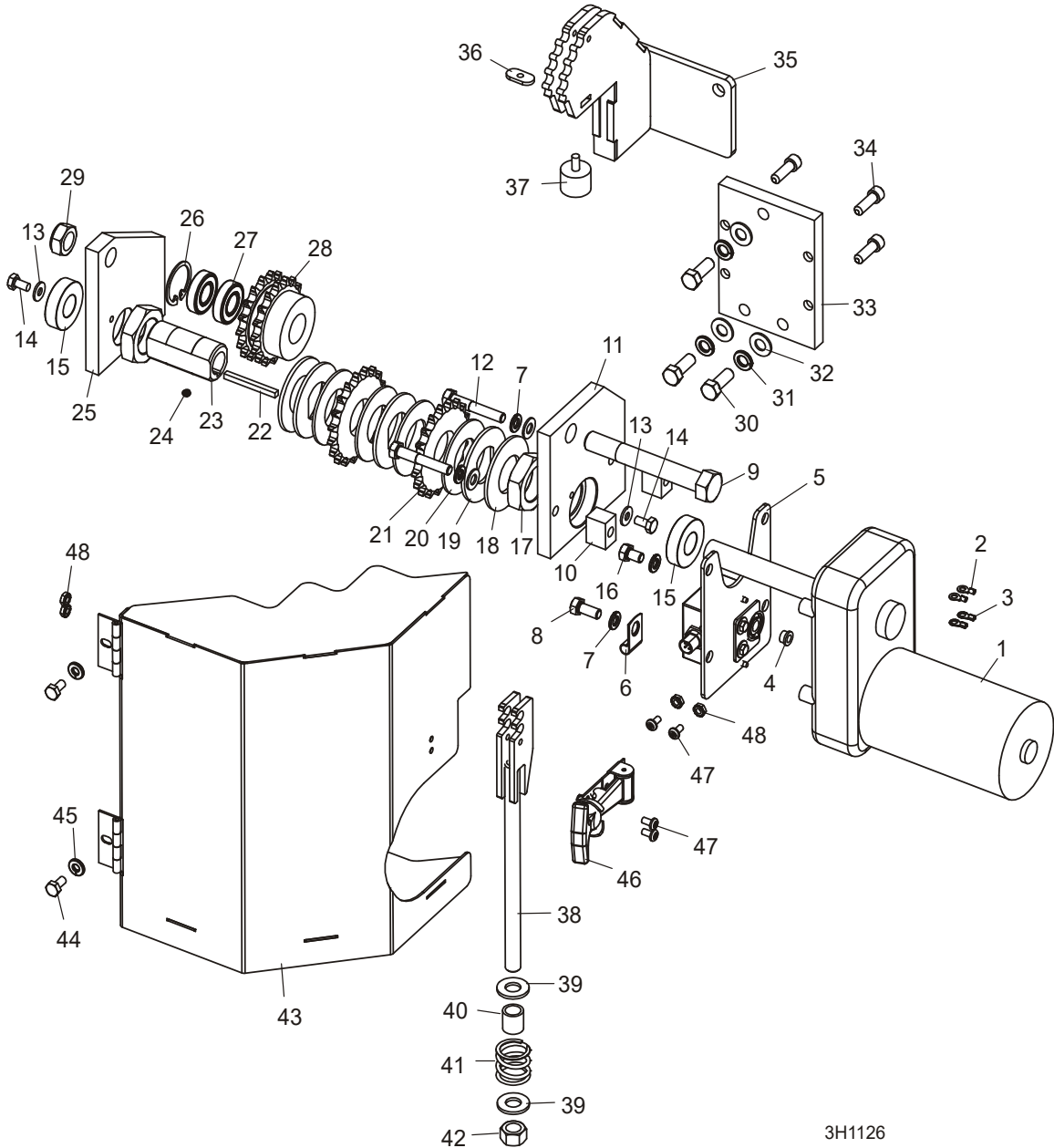
¹ Replaces 014074 Gear Box Reducer to help eliminate head drift (LT35 Rev. A4.01).

² 074170 replaces 074014 LT35 Up/Down Guard Mount and 074173 replaces 074011 LT35 Up/Down Weldment Guard to improve fit and provide more clearance between components (LT35 Rev. A4.01).

8.4 Up/Down Assembly

LT35
LT35HD

Rev. A2.00 - A2.01
Rev. A2.00 - A2.01



3H1126

| REF | DESCRIPTION (◆ Indicates Parts Available In Assemblies Only) | PART # | QTY. | |
|----------|--|--------|------|---|
| | MAST ASSEMBLY, LT35 | 062515 | 1 | |
| | Up/Down Assembly, LT35 w/Clutch | 071100 | 1 | |
| | Gearmotor Assembly, 6RPM w/Brake | 065849 | 1 | |
| 1 | Motor, 6RPM w/Brake Gear | 071096 | 1 | ◆ |

8

Up/Down System

Up/Down Assembly

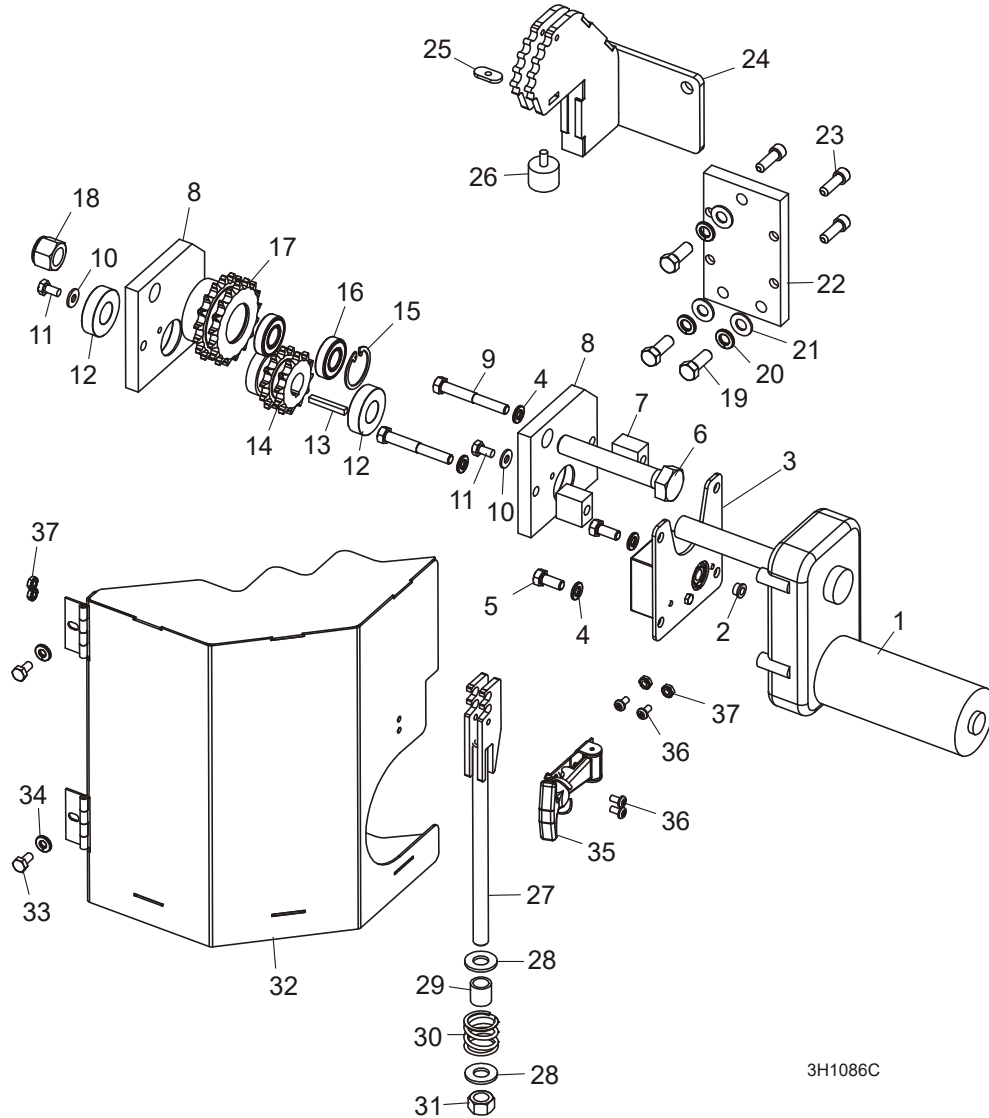
| | | | | |
|----|---|------------|---|---|
| | Brake Assembly, LT35 Up/Down Replacement | 065908 | 1 | |
| | Brake, Klauber Gearmotor #K01134D300 | 069519 | 1 | ◆ |
| | Terminal, #10 18-22AWG Ring | F05703-7 | 2 | |
| 2 | Terminal, #10 14-16Ga Ring NI Loose | F05092-9 | 2 | |
| 3 | Terminal, #10 18-22AWG Ring NI Loose | F05703-7 | 2 | |
| | Conduit, 1/2" Expandable Black | R02374 | 1 | |
| 4 | Bushing, Flange 1/4" ID x 1/4" Lg | 049018 | 1 | |
| 5 | Position Sensor Parts (See Section 8.8) | | | |
| 6 | Clamp, 1/4" Wire 13/32" Mtg Hole | 024155 | 1 | |
| 7 | Washer, 5/16" Split Lock | F05011-13 | 4 | |
| 8 | Bolt, 5/16-18 x 3/4" Hex Head Grade 5 | F05006-102 | 1 | |
| 9 | Bolt, 5/8-11 x 4 1/2" Hex Head Grade 5 | F05009-10 | 1 | |
| 10 | Spacer, 5/8" x 3/4" x 1" | 071102 | 2 | |
| 11 | Plate, LT35 Up/Down Gearmotor Mount | 071101 | 1 | |
| 12 | Bolt, 5/16-18 x 2" Hex Head Grade 5 | F05006-79 | 2 | |
| 13 | Washer, 1/4" SAE Flat | F05011-11 | 2 | |
| 14 | Bolt, 1/4-20 x 1/2" Hex Head | F05005-15 | 2 | |
| 15 | Bearing, R12-2NSL | P32044 | 2 | |
| 16 | Bolt, 5/16-18 x 1/2" Hex Head Grade 5 | F05006-15 | 1 | |
| 17 | Nut, LT35 Up/Down Brake Adjustment | 071097 | 2 | |
| 18 | Washer, 1 1/4" x 2 1/2" x .120 Belleville | F05011-135 | 2 | |
| 19 | Plate, LT35 Up/Down Brake Backer | 071095 | 3 | |
| 20 | Pad, LT35 Up/Down Friction | 071093 | 4 | |
| 21 | Sprocket, 40A19 x 1.253 | 071091 | 2 | |
| 22 | Key, 3/16" Sq x 2" | 065848 | 1 | |
| 23 | Shaft, LT35 Up/Down Sprocket Mount | 071092 | 1 | |
| 24 | Screw, 1/4-20 x 1/8" SH BO Hollow Lock Set | F05005-197 | 1 | |
| 25 | Plate, LT35 Up/Down Bearing Mount | 071098 | 1 | |
| | Sprocket Assembly, D40B17 Idler | 065108 | 1 | |
| 26 | Ring, 1 3/8" IR 3000x137 Retaining | F04254-11 | 1 | |
| 27 | Bearing, R-10 | P04156 | 2 | |
| 28 | Sprocket, D40B17 Modified | 065107 | 1 | |
| 29 | Nut, 5/8-11 Jam Nylon Lock | F05010-96 | 1 | |
| 30 | Bolt, 3/8-16 x 1" Hex Head Grade 5 | F05007-87 | 3 | |
| 31 | Washer, 3/8" Split Lock | F05011-4 | 3 | |
| 32 | Washer, 3/8" Flat SAE | F05011-3 | 3 | |
| 33 | Plate, LT35 Up/Down w/Clutch Mount | 071088 | 1 | |
| 34 | Bolt, 5/16-18 x 1" Socket Head Cap B/O | F05006-19 | 4 | |
| | Mount Assembly, LT35 Upper Chain | 065723 | 1 | |
| 35 | Weldment, LT35 Upper Chain Mount | 062526 | 1 | |
| 36 | Nut, 1/4-20 Weld Plated | S12392 | 1 | |
| 37 | Bumper, 1" x 3/4" Hard Silicone Rubber | 065717 | 1 | |
| | Chain, Double #40 x 121 Pitches (60-1/2") | 065850 | 1 | |

| | | | | |
|----|---|-----------|---|--|
| | Link, #40 Double Connecting | 017724 | 2 | |
| | Tensioner Assembly, LT35 Up/Down Chain | 062527 | 1 | |
| 38 | Tensioner Weldment, LT35 Up/Down Chain | 062528 | 1 | |
| 39 | Washer, 1/2" SAE Flat | F05011-2 | 2 | |
| 40 | Spacer, Up/Down Chain Tensioner | 016515 | 1 | |
| 41 | Spring, 1" OD x 1" Long x .125 Wire Comp | 016516 | 1 | |
| 42 | Nut, 1/2-13 Swaged Hex | F05010-3 | 1 | |
| 43 | WELDMENT, LT35 DRIVE SIDE UP/DOWN COVER | 062532 | 1 | |
| 44 | BOLT, 1/4-20 X 1/2" HEX HEAD | F05005-15 | 2 | |
| 45 | WASHER, 1/4" SPLIT LOCK | F05011-14 | 2 | |
| 46 | LATCH, FLEXIBLE DRAW | 014829 | 1 | |
| 47 | SCREW, #10-24 X 3/8" PHILLIPS PH MACHINE | F05004-3 | 4 | |
| 48 | NUT, #10-24 KEPS | F05010-14 | 4 | |

8.5 Up/Down Assembly

LT35
LT35HD

Rev. A1.00 - A1.02
Rev. A1.00 - A1.03



3H1086C

| REF | DESCRIPTION (◆ Indicates Parts Available In Assemblies Only) | PART # | QTY. | |
|----------|--|---------------------|------|---|
| | MAST ASSEMBLY, LT35 | 062515 | 1 | |
| | Up/Down Assembly, LT35 | 059639 | 1 | |
| | Gearmotor Assembly, LT35 Up/Down | 065746 ¹ | 1 | |
| 1 | Motor, Gear 250:1 w/Brake | 062510 | 1 | ◆ |
| | Brake Assembly, LT35 Up/Down Replacement | 065908 | 1 | |
| | Brake, Klauber Gearmotor #K01134D300 | 069519 | 1 | ◆ |
| | Terminal, #10 18-22AWG Ring | F05703-7 | 2 | |
| | Terminal, 1/4" 10-12Ga Quick Male FI | F05708-15 | 2 | |

| | | | | |
|----|---|---------------------|---|--|
| | Conduit, 1/2" Expandable Black | R02374 | 1 | |
| 2 | Bushing, Flange 1/4" ID x 1/4" Lg | 049018 | 1 | |
| 3 | Sensor Assembly, LT35 Position | 065061 | 1 | |
| 4 | Washer, 5/16" Split Lock | F05011-13 | 4 | |
| 5 | Bolt, 5/16-18 x 3/4" Hex Head | F05006-5 | 2 | |
| 6 | Bolt, 5/8-11 x 3 3/4" Hex Head Grade 5 | F05009-118 | 1 | |
| 7 | Spacer, 5/8" x 1" x 1" | 065062 | 2 | |
| 8 | Plate, Bearing Mount | 062481 | 2 | |
| 9 | Bolt, 5/16-18 x 2 1/2" Hex Head Grade 5 | F05006-80 | 2 | |
| 10 | Washer, 1/4" SAE Flat | F05011-11 | 2 | |
| 11 | Bolt, 1/4-20 x 1/2" Hex Head | F05005-15 | 2 | |
| 12 | Bearing, R12-2NSL | P32044 | 2 | |
| 13 | Key, 3/16" SQ. x 1 3/8" | 016108 | 1 | |
| 14 | Sprocket, D40B12 x 3/4" | 062549 | 1 | |
| | Sprocket Assembly, D40B17 Idler | 065108 | 1 | |
| 15 | Ring, 1 3/8" IR 3000x137 Retaining | F04254-11 | 1 | |
| 16 | Bearing, R-10 | P04156 | 2 | |
| 17 | Sprocket, D40B17 Modified | 065107 | 1 | |
| 18 | Nut, 5/8-11 Jam Nylon Lock | F05010-96 | 1 | |
| 19 | Bolt, 3/8-16 x 1" Hex Head Grade 5 | F05007-87 | 3 | |
| 20 | Washer, 3/8" Split Lock | F05011-4 | 3 | |
| 21 | Washer, 3/8" Flat SAE | F05011-3 | 3 | |
| 22 | Plate, LT35 Up/Down Mount | 062482 | 1 | |
| 23 | Bolt, 5/16-18 x 1" Socket Head Cap B/O | F05006-19 | 4 | |
| | Mount Assembly, LT35 Upper Chain | 065723 ¹ | 1 | |
| 24 | Weldment, LT35 Upper Chain Mount | 062526 | 1 | |
| 25 | Nut, 1/4-20 Weld Plated | S12392 | 1 | |
| 26 | Bumper, 1" x 3/4" Hard Silicone Rubber | 065717 | 1 | |
| | Chain, Double #40 x 111 Pitches (55-1/2") | 065059 | 1 | |
| | Link, #40 Double, Connecting | 017724 | 2 | |
| | Tensioner Assembly, LT35 Up/Down Chain | 062527 | 1 | |
| 27 | Tensioner Weldment, LT35 Up/Down Chain | 062528 | 1 | |
| 28 | Washer, 1/2" SAE Flat | F05011-2 | 2 | |
| 29 | Spacer, Up/Down Chain Tensioner | 016515 | 1 | |
| 30 | Spring, 1" OD x 1" Long x .125 Wire Comp | 016516 | 1 | |
| 31 | Nut, 1/2-13 Swaged Hex | F05010-3 | 1 | |
| 32 | WELDMENT, LT35 DRIVE SIDE UP/DOWN COVER | 062532 | 1 | |
| 33 | BOLT, 1/4-20 X 1/2" HEX HEAD | F05005-15 | 2 | |
| 34 | WASHER, 1/4" SPLIT LOCK | F05011-14 | 2 | |
| 35 | LATCH, FLEXIBLE DRAW | 014829 | 1 | |
| 36 | SCREW, #10-24 X 3/8" PHILLIPS PH MACHINE | F05004-3 | 4 | |
| 37 | NUT, #10-24 KEPS | F05010-14 | 4 | |

8 Up/Down System

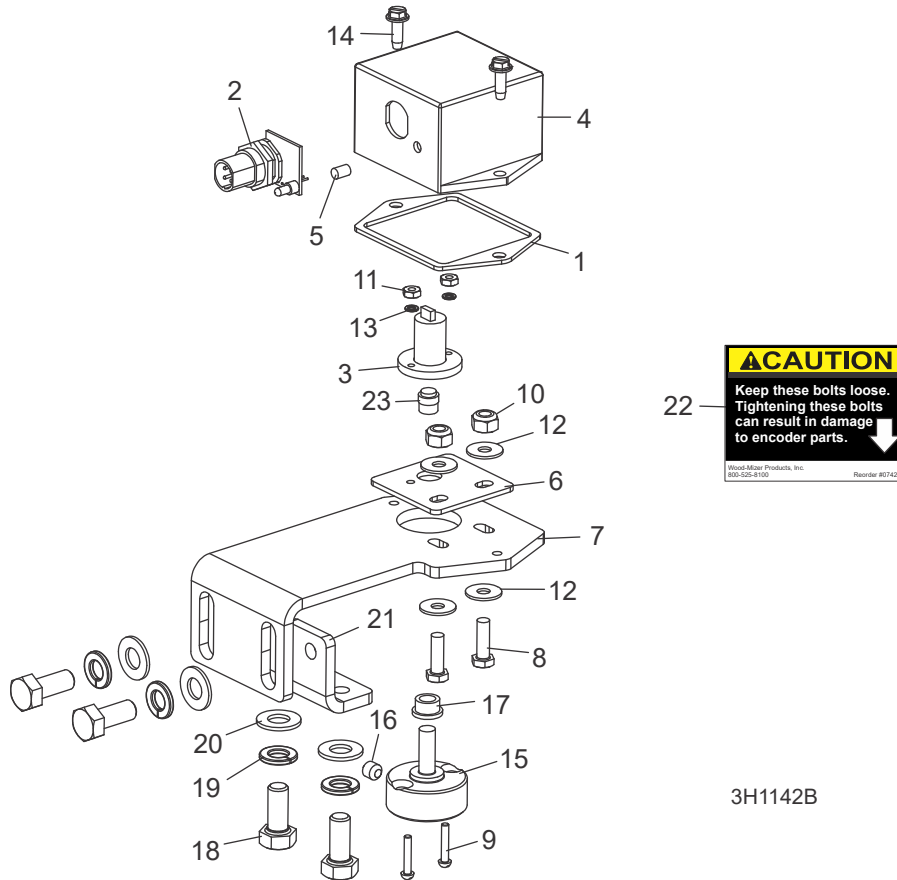
Up/Down Assembly

¹ 065746 Up/Down Gearmotor Assembly modified to include “tougher” gears and 065723 Upper Chain Mount Assembly replaced 062526 Upper Chain Mount Weldment to improve up/down operation (LT35 Rev. A1.01 and LT35HD Rev. A1.02). Use LT35 Up/Down Upgrade Kit 074029 for service. LT35 Up/Down Safety Campaign Kit 065728 used to upgrade sawmills prior to LT35 Rev. A1.02 and LT35HD Rev. A1.03 is no longer available.

8.6 Magnetic Position Sensor Assembly

LT35
LT35HD

Rev. A5.00+
Rev. A5.00+



| REF | DESCRIPTION (◆ Indicates Parts Available In Assemblies Only) | PART # | QTY. | |
|-----|--|------------|------|---|
| | SENSOR ASSEMBLY, MAGNETIC POSITION | 053369 | 1 | |
| 1 | Gasket, Encoder | 006864 | 1 | |
| 2 | PCB Assembly, Encoder Sensor | 053376 | 1 | ◆ |
| 3 | Sensor Kit, Magnetic Encoder | 053387 | 1 | |
| 4 | Enclosure, Position Sensor | 053399 | 1 | |
| 5 | Lens, LED T1 Clear | 053400 | 1 | |
| 6 | Plate, SimpleSet Encoder Slide | 057853 | 1 | |
| 7 | Plate, SimpleSet Encoder Mount | 061518 | 1 | |
| 8 | Screw, 10-24 x 5/8" Unsl Indent Hex Head Machine | F05004-18 | 2 | |
| 9 | Screw, #4-40 x 5/8" SI Rnd Head Machine | F05004-49 | 2 | |
| 10 | Nut, 10-24 Hex Nylock | F05010-160 | 2 | |
| 11 | Nut, #4-40 Hex | F05010-43 | 2 | |
| 12 | Washer, #10 SAE Flat | F05011-18 | 4 | |
| 13 | Washer, #4 Split Lock | F05011-21 | 2 | |

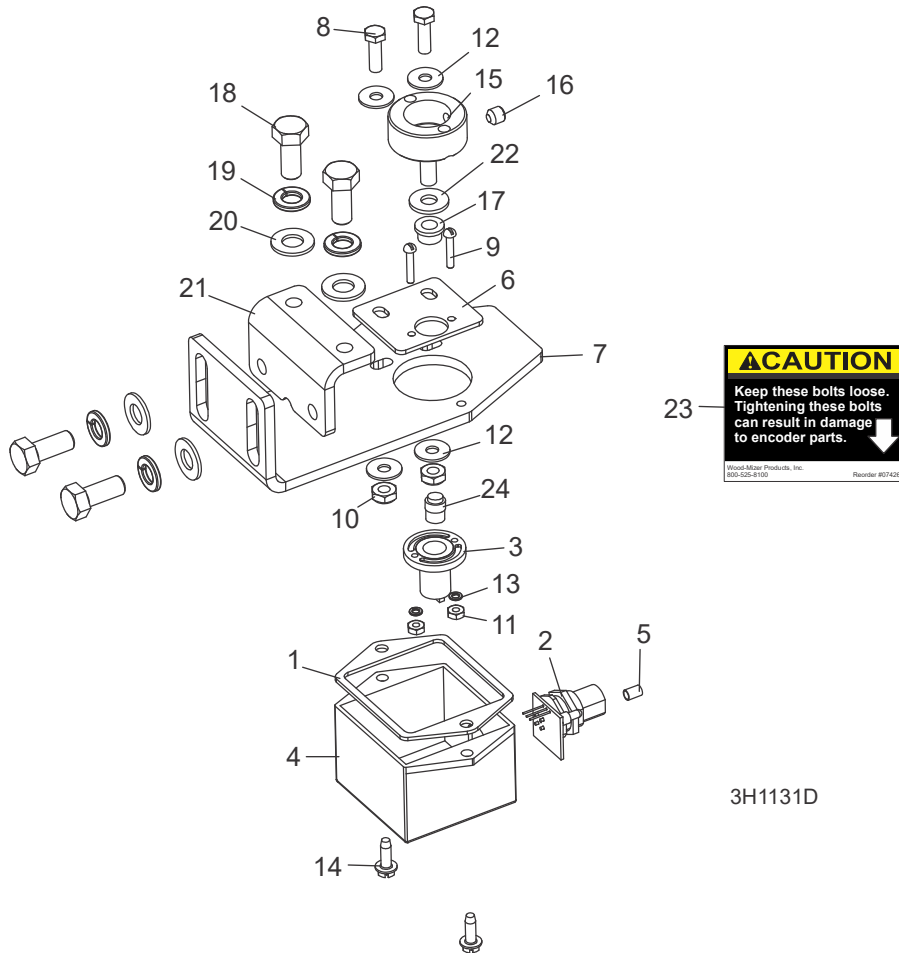
8**Up/Down System**
Magnetic Position Sensor Assembly

| | | | | |
|----|---|------------|---|--|
| 14 | Bolt, #8-32 x 1/2" SI Hex Head S | F05015-18 | 2 | |
| 15 | Extension, SimpleSet Gearbox Shaft | 057852 | 1 | |
| 16 | Screw, 1/4-20 x 1/4" SH Cup Pt Set | F05005-131 | 1 | |
| 17 | Bushing, Flange 1/4" ID x 1/4" Lg | 049018 | 1 | |
| 18 | Bolt, 5/16-18 x 3/4" Hex Head Cap | F05006-5 | 4 | |
| 19 | Washer, 5/16" Split Lock | F05011-13 | 4 | |
| 20 | Washer, 5/16" SAE Flat | F05011-17 | 4 | |
| 21 | Plate, SimpleSet Mount | 057872 | 1 | |
| 22 | Decal, Encoder Bolt Warning | 074269 | 1 | |
| 23 | Magnet Assembly, Simple Set Encoder w/Hub | 065890 | 1 | |

8.7 Simple Set Sensor Assembly

LT35
LT35HD

Rev. A3.00 - A4.01
Rev. A3.00 - A4.01



CAUTION
Keep these bolts loose.
Tightening these bolts
can result in damage
to encoder parts.

Wood-Mizer Products, Inc.
800-526-3100
Reorder #074299

3H1131D

| REF | DESCRIPTION (◆ Indicates Parts Available In Assemblies Only) | PART # | QTY. | |
|-----|--|------------|------|---|
| | SENSOR ASSEMBLY, LT35 SIMPLE SET MAGNETIC POSITION | 074021 | 1 | |
| 1 | Gasket, Encoder | 006864 | 1 | |
| 2 | PCB Assembly, Encoder Sensor | 053376 | 1 | ◆ |
| 3 | Sensor Kit, Magnetic Encoder | 053387 | 1 | |
| 4 | Enclosure, Position Sensor | 053399 | 1 | |
| 5 | Lens, LED T1 Clear | 053400 | 1 | |
| 6 | Plate, LT35 Simple Set Encoder | 059691 | 1 | |
| 7 | Plate, LT35 Encoder Mount | 074012 | 1 | |
| 8 | Screw, 10-24 x 5/8" Unsl Indent HH Machine | F05004-18 | 2 | |
| 9 | Screw, #4-40 x 5/8" SI Rnd Head Machine | F05004-49 | 2 | |
| 10 | Nut, 10-24 Hex Nylock | F05010-160 | 2 | |
| 11 | Nut, #4-40 Hex | F05010-43 | 2 | |

8

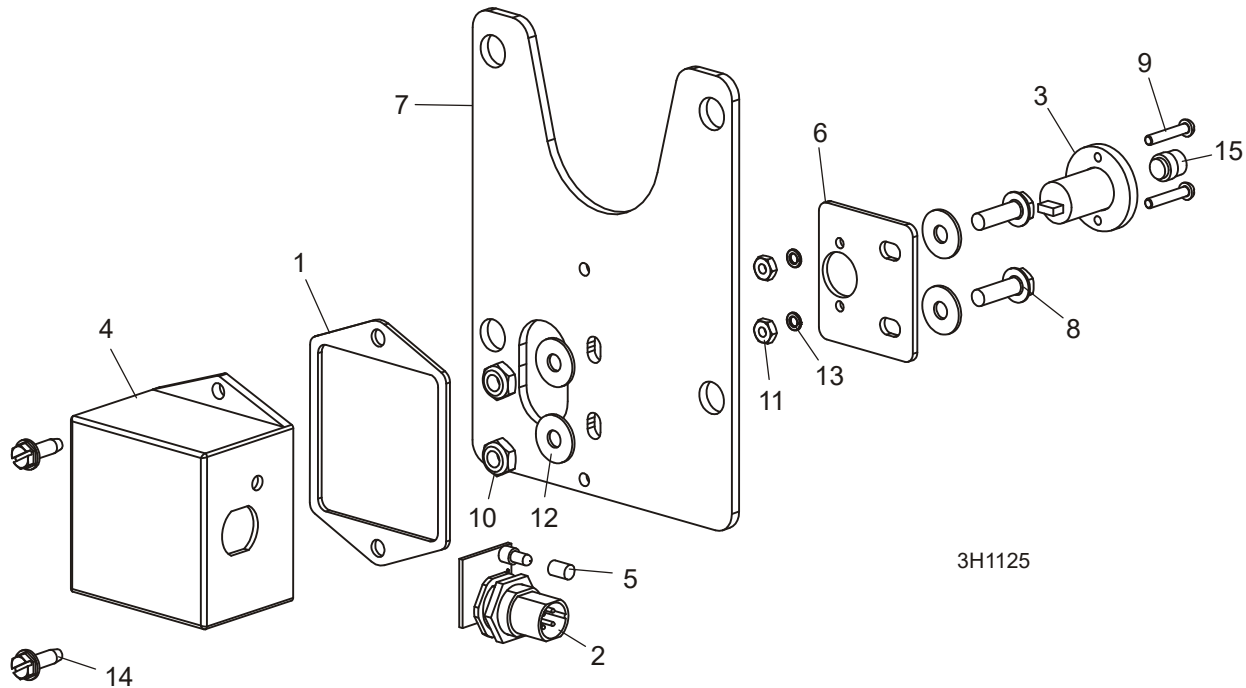
Up/Down System
Simple Set Sensor Assembly

| | | | | |
|----|---|------------|---|--|
| 12 | Washer, #10 SAE Flat | F05011-18 | 4 | |
| 13 | Washer, #4 Split Lock | F05011-21 | 2 | |
| 14 | Bolt, #8-32 x 1/2" SI HH S | F05015-18 | 2 | |
| 15 | Extension, SimpleSet Gearbox Shaft | 057852 | 1 | |
| 16 | Screw, 1/4-20 x 1/4" SH Cup Pt Set | F05005-131 | 1 | |
| 17 | Bushing, Flange 1/4" ID x 1/4" Lg | 049018 | 1 | |
| 18 | Bolt, 5/16-18 x 3/4" Hex Head Cap | F05006-5 | 4 | |
| 19 | Washer, 5/16" Split Lock | F05011-13 | 4 | |
| 20 | Washer, 5/16" SAE Flat | F05011-17 | 4 | |
| 21 | Plate, SimpleSet Mount | 057872 | 1 | |
| 22 | Washer, 1/4" SAE Flat | F05011-11 | 1 | |
| 23 | Decal, Encoder Bolt Warning | 074269 | 1 | |
| 24 | Magnet Assembly, Simple Set Encoder w/Hub | 065890 | 1 | |

8.8 Simple Set Sensor Assembly

LT35
LT35HD

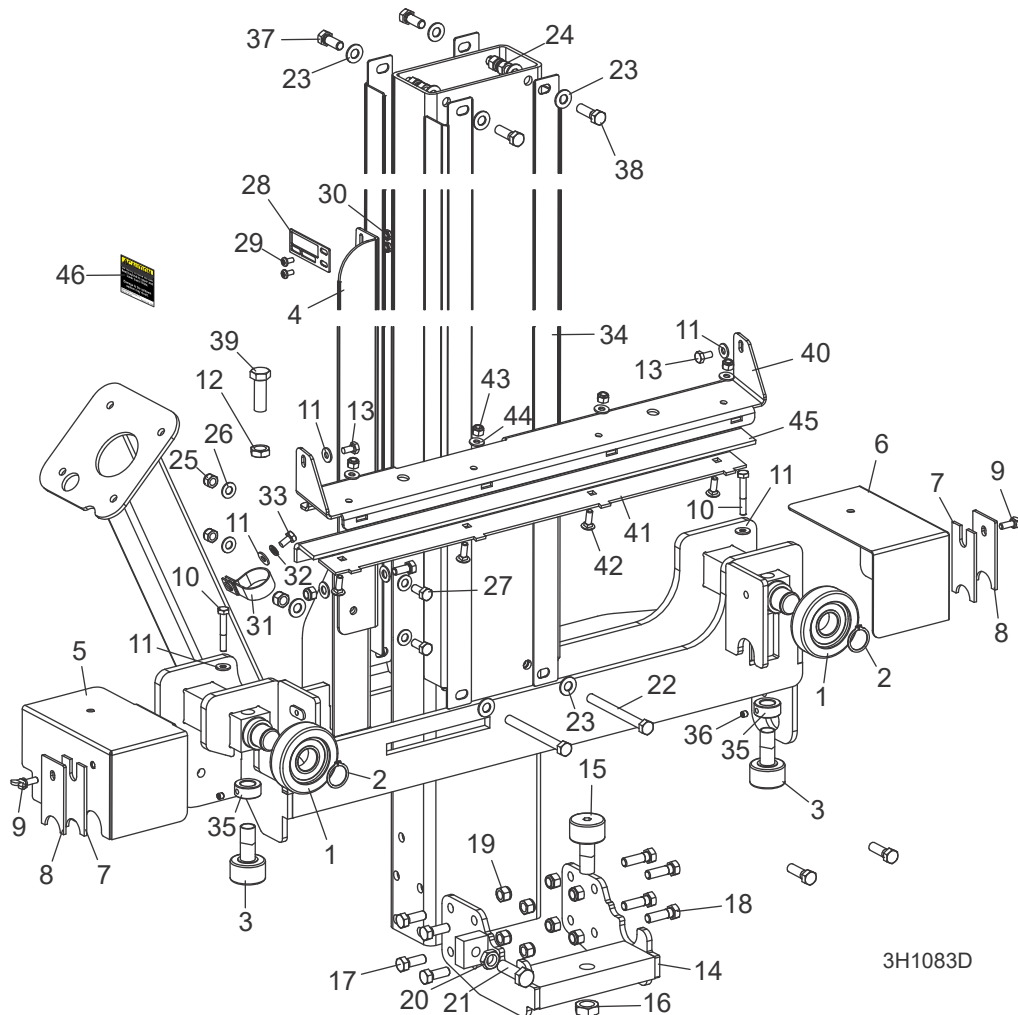
Rev. A2.00 - A2.01
Rev. A2.00 - A2.01



| REF | DESCRIPTION (◆ Indicates Parts Available In Assemblies Only) | PART # | QTY. | |
|-----|--|------------|------|---|
| | SENSOR ASSEMBLY, LT35 SIMPLE SET | 071103 | 1 | |
| 1 | Gasket, Encoder | 006864 | 1 | |
| 2 | PCB Assembly, Encoder Sensor | 053376 | 1 | ◆ |
| 3 | Sensor Kit, Magnetic Encoder | 053387 | 1 | |
| 4 | Enclosure, Position Sensor | 053399 | 1 | |
| 5 | Lens, LED T1 Clear | 053400 | 1 | |
| 6 | Plate, LT35 Simple Set Encoder | 059691 | 1 | |
| 7 | Plate, LT35 Simple Set Encoder Mount | 071099 | 1 | |
| 8 | Screw, 10-24 x 5/8" Unsl Indent HH Machine | F05004-18 | 2 | |
| 9 | Screw, #4-40 x 5/8" SI Rnd Head Machine | F05004-49 | 2 | |
| 10 | Nut, 10-24 Hex Nylock | F05010-160 | 2 | |
| 11 | Nut, #4-40 Hex | F05010-43 | 2 | |
| 12 | Washer, #10 SAE Flat | F05011-18 | 2 | |
| 13 | Washer, #4 Split Lock | F05011-21 | 2 | |
| 14 | Bolt, #8-32 x 1/2" SI HH S | F05015-18 | 2 | |
| 15 | Magnet Assembly, Simple Set Encoder w/Hub | 065890 | 1 | |

SECTION 9 FEED SYSTEM & TRACK ROLLERS

9.1 Track Rollers And Wipers



| REF | DESCRIPTION (◆ Indicates Parts Available In Assemblies Only) | PART # | QTY. |
|-----|--|-----------|------|
| | UPRIGHT ASSEMBLY, LT35 | 062514 | 1 |
| 1 | Bearing, MG305DDA | 023857 | 2 |
| 2 | Ring, 1" Outer Retaining | F04254-15 | 2 |
| 3 | Bearing, Cam Follower 1 1/2" (McGill) | 012797 | 2 |
| 4 | Plate, LT35 Pointer Mount | 062537 | 1 |
| 5 | Cover Weldment, Rear Bearing | 049342 | 1 |
| 6 | Cover Weldment, Front Bearing | 049341 | 1 |
| 7 | Wiper, Top Rail | M04113 | 2 |
| 8 | Plate, Track Wiper | 034229 | 2 |
| 9 | Stud, 1/4-20 x 5/8" Wing | F05005-64 | 2 |

Feed System & Track Rollers

Track Rollers And Wipers

9

| | | | | |
|----|--|------------------------|----|--|
| 10 | Bolt, 1/4-20 x 1 3/4" Hex Head Grade 5 | F05005-68 | 2 | |
| 11 | Washer, 1/4" SAE Flat | F05011-11 | 5 | |
| 12 | Nut, 1/2-13 Jam | F05010-31 ¹ | 1 | |
| 13 | Bolt, 1/4-20 x 1/2" Hex Head | F05005-15 | 2 | |
| | Bearing Assembly, Lower LT28 | 048547 | 1 | |
| 14 | Bearing Weldment, LT28 Lower Cam | 048548 | 1 | |
| 15 | Bearing, Cam Follower 1 1/2 (McGill) | 012797 | 1 | |
| 16 | Nut, 5/8-18 Hex Jam | F05010-11 | 1 | |
| 17 | Bolt, 3/8-16 x 1" Hex Head Grade 5 | F05007-87 | 4 | |
| 18 | Bolt, 3/8-16 x 1 1/4" Hex Head Grade 5 | F05007-123 | 4 | |
| 19 | Nut, 3/8-16 Hex Nylon Lock | F05010-10 | 8 | |
| 20 | Nut, 1/2-13 Hex Jam | F05010-31 | 1 | |
| 21 | Bolt, 1/2-13 x 1 1/2" Hex Head Grade 5 | F05008-33 | 1 | |
| 22 | Bolt, 3/8-16 x 4" Hex Head Full Thread Grade 5 | F05007-92 | 2 | |
| 23 | Washer, 3/8" SAE Flat | F05011-3 | 12 | |
| 24 | Nut, 3/8-16 Hex Nylon Lock | F05010-10 | 10 | |
| 25 | Nut, 5/16-18 Nylok Hex | F05010-58 | 3 | |
| 26 | Washer, 5/16" SAE Flat | F05011-17 | 6 | |
| 27 | Bolt, 5/16-18 x 3/4" Hex Head | F05006-5 | 3 | |
| 28 | Pointer, Scale Height | 017778 | 1 | |
| 29 | Bolt, #10-24 x 3/8" CrSI PH | F05004-3 | 2 | |
| 30 | Nut, #10-24 Keps | F05010-14 | 2 | |
| 31 | Clamp, 1-1/4 Carbon Steel Conduit | 038482 | 1 | |
| 32 | Washer, 1/4" Split Lock | F05011-14 | 1 | |
| 33 | Bolt, 1/4-20 x 1/2" Hex Head | F05005-15 | 1 | |
| 34 | Angle, LT28 Mast Tube Stainless | 048614 | 4 | |
| | Collar, 5/8" x 1-1/8" Lock | P05035 | 2 | |
| 35 | Collar, 5/8" x 1-1/8" Lock | P05035-1 | 1 | |
| 36 | Screw, 1/4-28 x 1/4" BO SH Cup Set | F05005-105 | 1 | |
| 37 | Bolt, 3/8-16 x 1" Hex Head Grade 5 | F05007-87 | 2 | |
| 38 | Bolt, 3/8-16 x 1 1/4" Hex Head Grade 5 | F05007-123 | 2 | |
| 39 | Bolt, 1/2-13 x 1 1/2" Hex Head Grade 5 | F05008-33 ¹ | 1 | |
| | Cover Assembly, LT28/35/70 Track | 110614 ² | 1 | |
| 40 | Cover, Mid Track, LT28, LT35, LT70 | 110610 | 1 | |
| 41 | Retainer, Felt Oiler | 110611 | 1 | |
| 42 | Bolt, 1/4-20x3/4 Carriage | F05005-113 | 4 | |
| 43 | Nut, 1/4-20 Nylock | F05010-69 | 4 | |
| 44 | Washer, 1/4 SAE Flat | F05011-11 | 4 | |
| 45 | Felt, Middle Track Oiler LT40/50/70 | S09915 | 1 | |
| 46 | DECAL, SAW HEAD UP/DOWN CAUTION | S11762 | 1 | |

¹ Replaced 065724 Lower Stop Spring Retainer Pin, 036713 Spring and F05012-9 Cotter Pin used on LT35 Rev. A1.01-A6.05/LT35HD Rev. A1.02-A6.06 (LT35 Rev. A6.06/LT35HD Rev. A6.07).

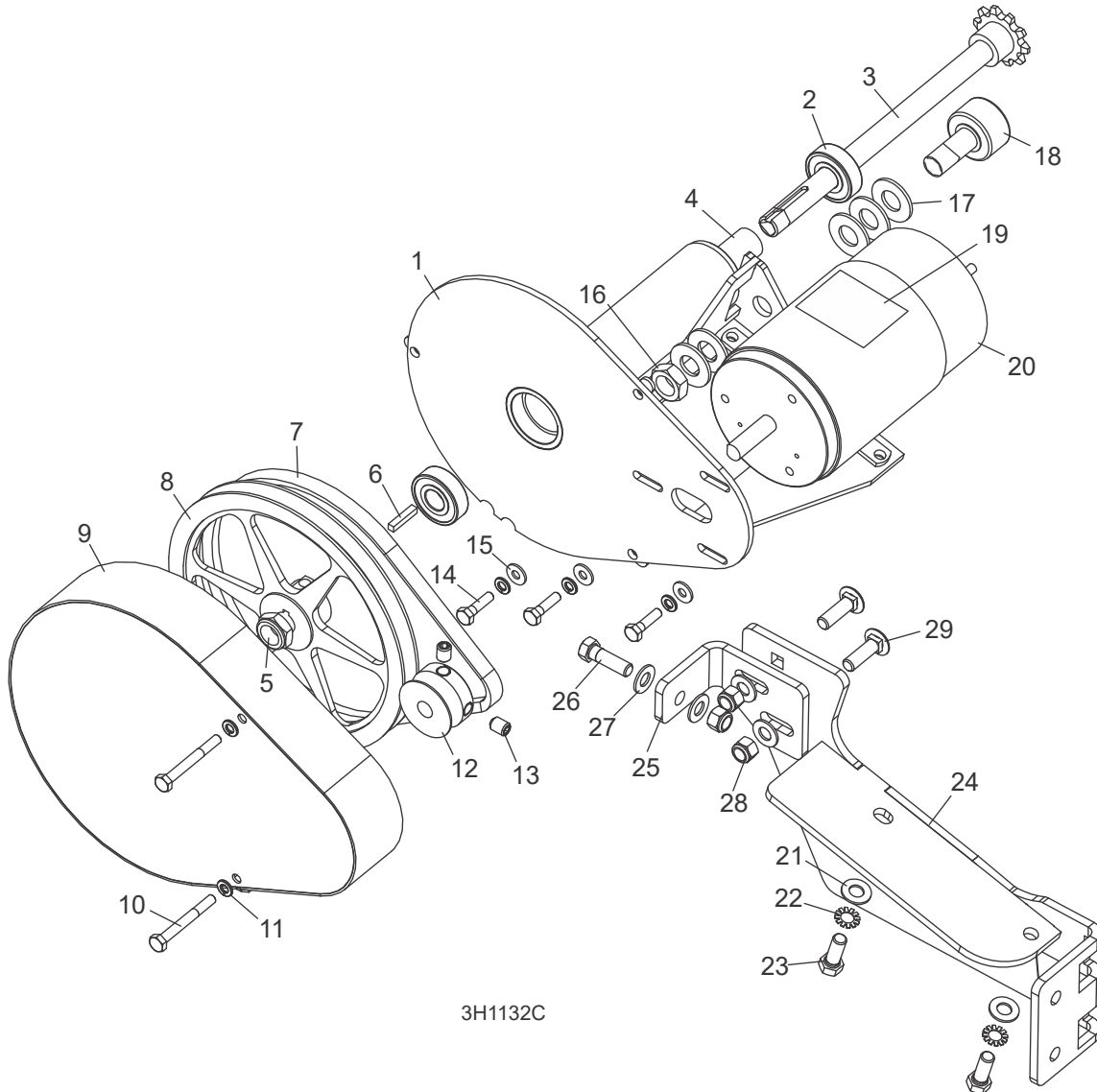
² Replaced 049135 Wiper Assembly with S09915 Felt (12/18).



9.2 Power Feed Assembly

LT35
 LT35HD

Rev. A4.00+
 Rev. A4.00+



| REF | DESCRIPTION (◆ Indicates Parts Available In Assemblies Only) | PART # | QTY. | |
|-----|--|---------------------|------|---|
| | POWER FEED ASSEMBLY, LT35 | 066999 | 1 | |
| | Feed Assembly, LT35 Saw Head Power | 066990 | 1 | |
| 1 | Mount Weldment, LT35 Power Feed | 066991 | 1 | |
| 2 | Bearing, 5/8" x 1.5748 x .4724 | P06030-1 | 2 | |
| | Shaft Upgrade, Power Feed | 079800 ¹ | 1 | |
| 3 | Shaft Weldment, Power Feed, Threaded | 079798 | 1 | ◆ |
| 4 | Spacer, Bearing, Power Feed | 079799 | 1 | |

Feed System & Track Rollers

Power Feed Assembly

9

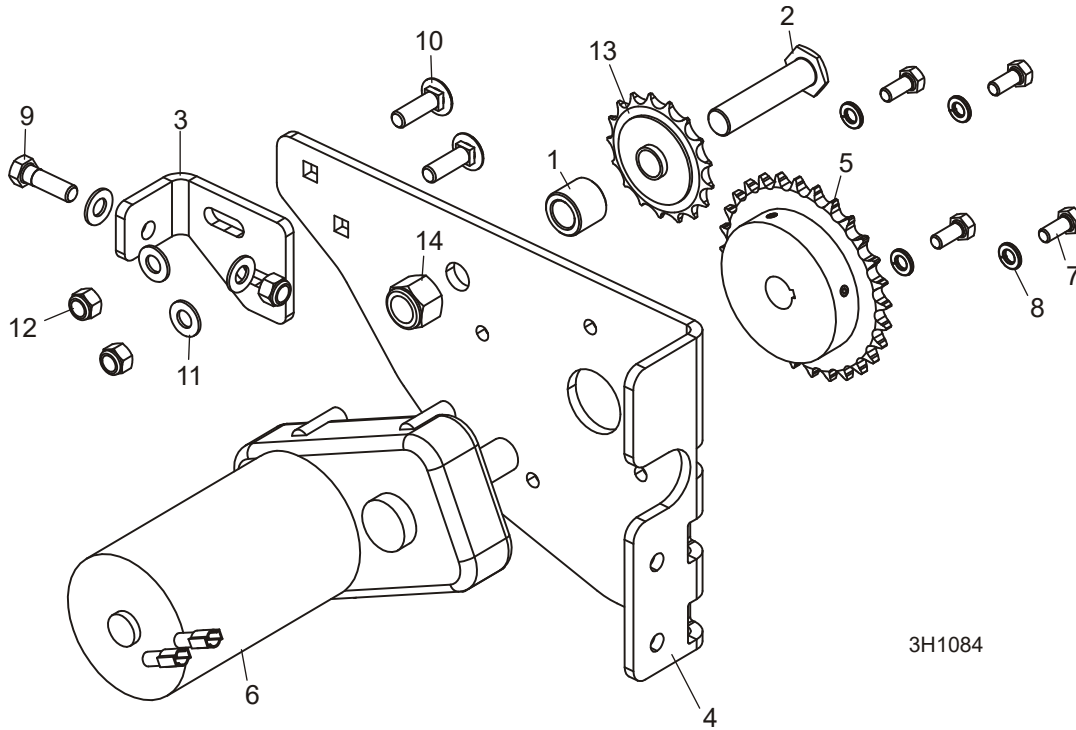
| | | | | |
|----|---|------------|---|--|
| 5 | Nut, 5/8-18 Nyl Jam | F05010-101 | 1 | |
| 6 | Key, 3/16" Square x 1" Long | S31027 | 1 | |
| 7 | Belt, 4L280 | P04031 | 1 | |
| 8 | Sheave, 8A x 5/8" | P04343 | 1 | |
| 9 | Cover Weldment, Power Feed | W11613 | 1 | |
| 10 | Screw, 1/4-20 x 2 1/4" Hex Head | F05005-32 | 2 | |
| 11 | Washer, 1/4" Split Lock | F05011-14 | 5 | |
| 12 | Shave, 1 3/4" Feed Motor | S09579 | 1 | |
| 13 | Screw, 3/8-16 x 1/2" SH Cup | F05007-12 | 2 | |
| 14 | Bolt, 1/4-20 x 1" Hex Head Grade 5 | F05005-101 | 1 | |
| 15 | Washer, 1/4" SAE Flat | F05011-11 | 3 | |
| 16 | Nut, 5/8-18 Hex Jam | F05010-11 | 1 | |
| 17 | Washer, 5/8" SAE Flat | F05011-5 | 6 | |
| 18 | Bearing, Cam Follower 1 1/2" | 012797 | 1 | |
| 19 | Decal, Disconnect Motor Leads Warning | 024431 | 1 | |
| 20 | Motor, 1/2HP 12VDC | 006747 | 1 | |
| | Brush Kit, 12V Motor | 061794 | 1 | |
| 21 | Washer, 3/8" Sae Flat | F05011-3 | 2 | |
| 22 | Washer, 3/8" Star External | F05011-36 | 2 | |
| 23 | Bolt, 3/8-16 x 1" Hex Head Grade 8 | F05007-82 | 2 | |
| 24 | Mount Weldment, Power Feed Motor | 066995 | 1 | |
| 25 | Plate, Power Feed Drive | 066998 | 1 | |
| 26 | Bolt, 3/8-16 x 1 1/4" Hex Head Grade 5 | F05007-123 | 1 | |
| 27 | Washer, 3/8" Sae Flat | F05011-3 | 4 | |
| 28 | Nut, 3/8-16 Hex Nylon Lock | F05010-10 | 3 | |
| 29 | Bolt, 3/8-16 x 1 1/4" Carriage Head Grade 5 | F05007-127 | 2 | |

¹ 079800 replaced 016067 Power Feed Shaft Assembly with S31027 Key to improve durability (LT35 Rev. A6.11/LT35HD Rev. A6.13). Modified 079798 Power Feed Shaft with threaded end and added (1) F05010-101 Jam Nut and (1) 079799 Spacer.

9.3 Power Feed Assembly

LT35
LT35HD

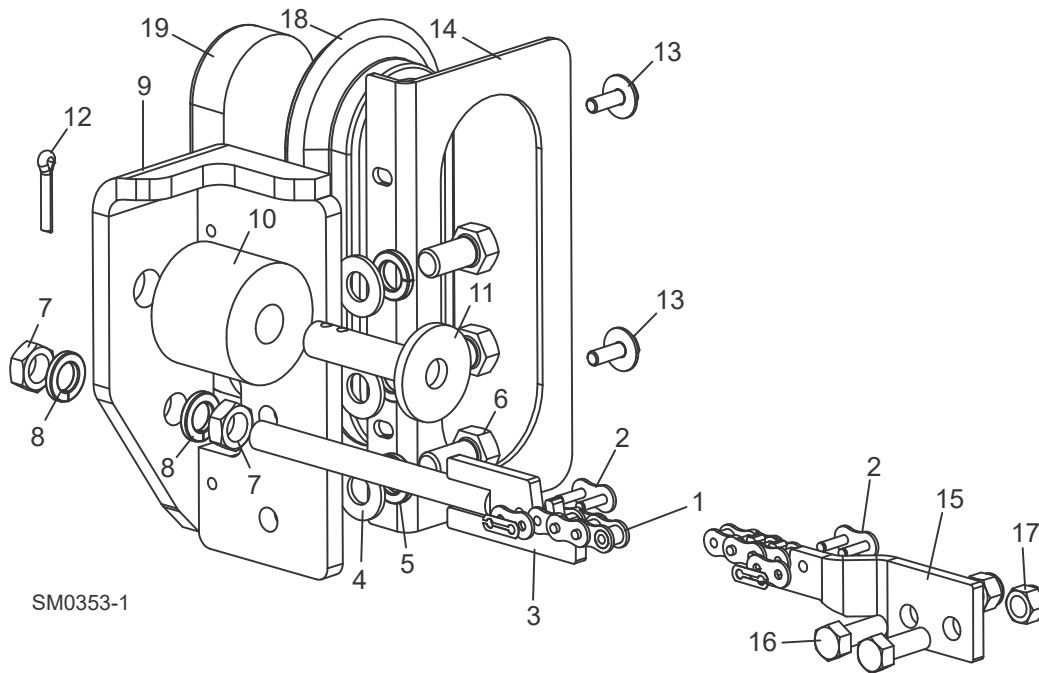
Rev. A1.00 - A3.00
Rev. A1.00 - A3.00



3H1084

| REF | DESCRIPTION (◆ Indicates Parts Available In Assemblies Only) | PART # | QTY. |
|-----|--|------------|------|
| | POWER FEED ASSEMBLY, LT35 | 065078 | 1 |
| 1 | Boss, .63" ID X 1" OD X .85" | 008958 | 1 |
| 2 | Bolt, Idler Sprocket Retaining | 008959 | 1 |
| 3 | Bracket, Power Feed Drive Mount | 008973 | 1 |
| 4 | Plate, Power Feed Drive Mount | 059593 | 1 |
| 5 | Sprocket, 40B28 x 3/4" Bore | 059594 | 1 |
| 6 | Motor Assembly, LT28 Power Feed | 069361 | 1 |
| | Brush Kit, Klauber 33:1 Gearmotor Endbell | 065182 | 1 |
| 7 | Bolt, 5/16-18 x 3/4" Hex Head Grade 5 | F05006-102 | 4 |
| 8 | Washer, 5/16" Split Lock | F05011-13 | 4 |
| 9 | Bolt, 3/8-16 x 1 1/4" Hex Head Grade 5 | F05007-123 | 1 |
| 10 | Bolt, 3/8-16 x 1 1/4" Carriage Head Grade 5 | F05007-127 | 2 |
| 11 | Washer, 3/8" Sae Flat | F05011-3 | 4 |
| 12 | Nut, 3/8-16 Hex Nylon Lock | F05010-10 | 3 |
| 13 | Sprocket, #40 17T x 5/8" Bore Idler | P04333 | 1 |
| 14 | Nut, 5/8-11 Hex Nylon Lock | F05010-34 | 1 |

9.4 Feed Chain/Stop



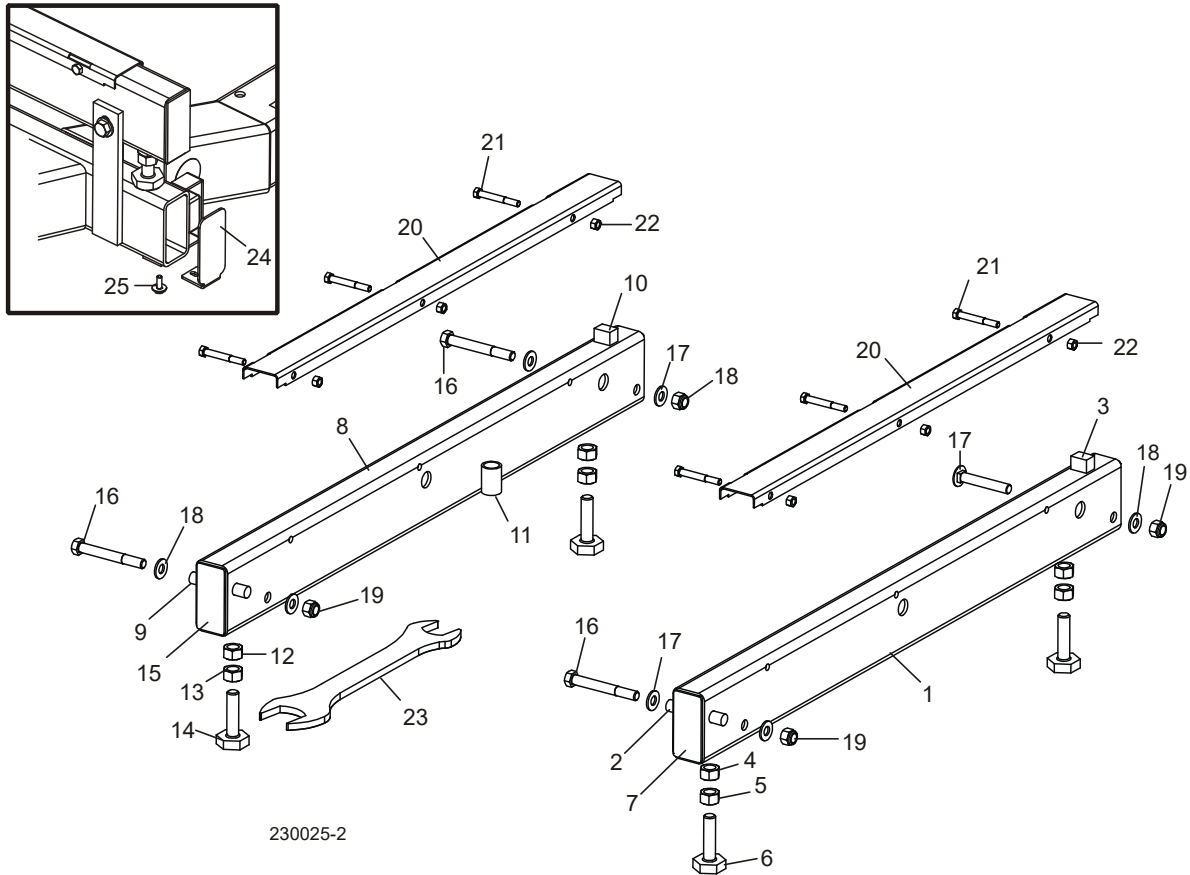
| REF | DESCRIPTION (◆ Indicates Parts Available In Assemblies Only) | PART # | QTY. |
|-----|--|------------|------|
| 1 | CHAIN, #40 X 267.5" LT40 FEED | 014745 | 1 |
| 2 | LINK, #40 MASTER | P04200 | 2 |
| 3 | TENSIONER WELDMENT, POWER FEED CHAIN | 015721 | 1 |
| 4 | WASHER, 1/2" SAE FLAT | F05011-2 | 3 |
| 5 | WASHER, 1/2" SPLIT LOCK | F05011-9 | 3 |
| 6 | BOLT, 1/2-13 X 1" HEX HEAD GRADE 8 | F05008-128 | 3 |
| 7 | NUT, 1/2-20 HEX JAM | F05010-16 | 2 |
| 8 | WASHER, 1/2" SPLIT LOCK | F05011-9 | 2 |
| 9 | BRACKET WELDMENT, REAR FEED STOP | 006686 | 1 |
| 10 | Stop, Rubber Carriage | P12165 | 1 |
| 11 | Pin, Rubber Carriage Stop | W09293 | 1 |
| 12 | Pin, 3/16" X 1" Cotter | F05012-21 | 1 |
| 13 | BOLT, 1/4-20 X 3/4" WITH CONICAL WASHER | F05005-134 | 1 |
| 14 | PLATE, BED TUBE END W/LIGHT MOUNT | 057822 | 1 |
| 15 | BRACKET, FRONT FEED CHAIN MOUNT | 015008 | 1 |
| 16 | BOLT, 3/8-16 X 1" HEX HEAD GRADE 5 | F05007-87 | 2 |
| 17 | NUT, 3/8-16 HEX NYLON LOCK | F05010-10 | 2 |
| 18 | GROMMET, 6 1/2" LIGHT MOUNTING | 006688 | 1 |
| 19 | LIGHT, 8 DIODE LED TAIL | 006391 | 1 |

10

Bed Frame Assembly Bed Rail Assembly, Front And Rear

SECTION 10 BED FRAME ASSEMBLY

10.1 Bed Rail Assembly, Front And Rear



| REF | DESCRIPTION (◆ Indicates Parts Available In Assemblies Only) | PART # | QTY. | |
|-----|--|-----------|------|---|
| | BED RAIL ASSEMBLY, REAR PAINTED | A09774 | 1 | |
| 1 | Bed Rail Tube, Long | S09102 | 1 | ◆ |
| 2 | Pin, Ramp Mount | S04030 | 1 | |
| 3 | Block, Log Stop | S09034 | 1 | |
| 4 | Nut, 5/8-11 Pilot Weld | F05010-84 | 2 | |
| 5 | Nut, 5/8-11 Hex | F05010-5 | 2 | |
| 6 | Bolt, Bed Rail Adjustment | S13006 | 2 | |
| 7 | Plate, Bed Rail End Cap | S04058 | 2 | ◆ |
| | BED RAIL ASSEMBLY, FRONT PAINTED | A09564 | 1 | |
| 8 | Bed Rail Tube, Long | S09102 | 1 | ◆ |
| 9 | Pin, Ramp Mount | S04030 | 1 | |
| 10 | Block, Log Stop | S09034 | 1 | |
| 11 | Tube, Ramp Retainer Mount | S09334 | 1 | ◆ |

Bed Frame Assembly

Bed Rail Assembly, Front And Rear

10

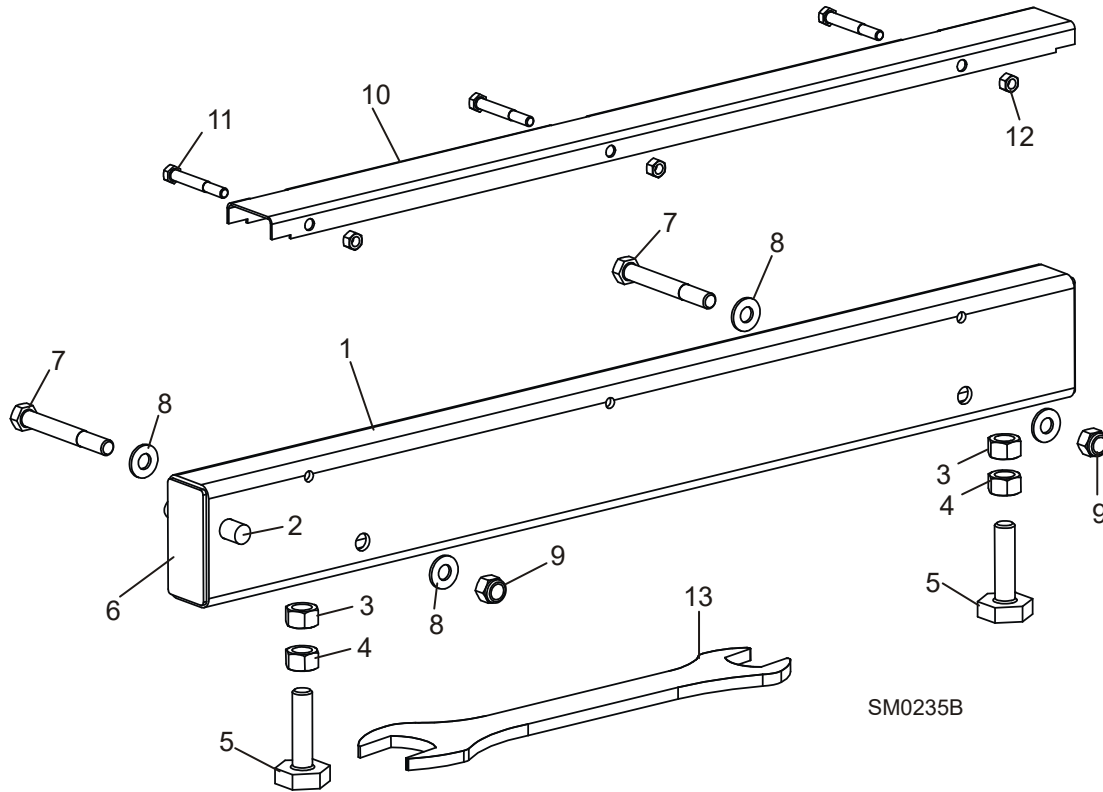
| | | | | |
|----|--|------------------------|---|---|
| 12 | Nut, 5/8-11 Pilot Weld | F05010-84 | 2 | |
| 13 | Nut, 5/8-11 Hex | F05010-5 | 2 | |
| 14 | Bolt, Bed Rail Adjustment | S13006 | 2 | |
| 15 | Plate, Bed Rail End Cap | S04058 | 2 | ◆ |
| 16 | BOLT, 1/2-13 X 4" HEX HEAD GRADE 5 | F05008-78 | 3 | |
| 17 | BOLT, 1/2-13 X 3 1/2" CARRIAGE | F05008-94 ¹ | 1 | |
| 18 | WASHER, 1/2" SAE FLAT | F05011-2 | 7 | |
| 19 | NUT, 1/2-13 NYLON LOCK | F05010-8 | 4 | |
| | COVER KIT, FRONT/REAR BED RAIL SS | 079144 | 2 | |
| 20 | Cover, Stainless Steel Bed Rail | 016898 | 1 | |
| 21 | Bolt, 5/16-18 X 2 1/2" Hex Head | F05006-10 | 3 | |
| 22 | Nut, 5/16-18 Hex Lock | F05010-6 | 3 | |
| 23 | WRENCH, BED RAIL ADJUSTMENT | 015970 | 1 | |
| 24 | CAP, BED RAIL REMOVABLE END | 038843 | 2 | |
| 25 | BOLT, 1/4-20 X 3/4" W/CONICAL WASHER HEAD | F05005-134 | 2 | |

¹ Used on rear bed rail to allow clearance for optional side support rollers.

10

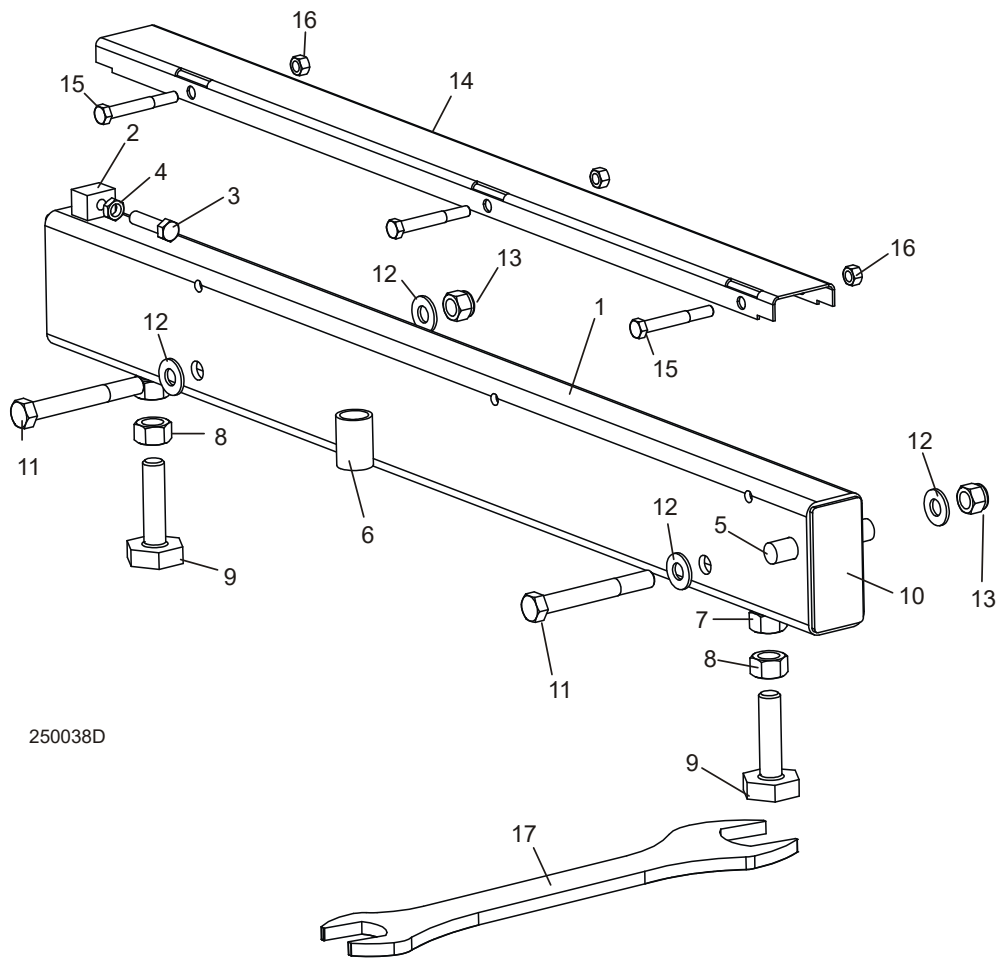
Bed Frame Assembly Bed Rail Assembly, Middle Front

10.2 Bed Rail Assembly, Middle Front



| REF | DESCRIPTION (◆ Indicates Parts Available In Assemblies Only) | PART # | QTY. | |
|-----|--|-----------|------|---|
| | BED RAIL ASSEMBLY, FRONT MIDDLE | A09566 | 1 | |
| 1 | Bed Rail Tube, Short | S09103 | 1 | ◆ |
| 2 | Pin, Ramp Mount | S04030 | 1 | |
| 3 | Nut, 5/8-11 Pilot Weld | F05010-84 | 2 | |
| 4 | Nut, 5/8-11 Hex | F05010-5 | 2 | |
| 5 | Bolt, Bed Rail Adjustment | S13006 | 2 | |
| 6 | Plate, Bed Rail End Cap | S04058 | 2 | ◆ |
| 7 | BOLT, 1/2-13 X 4" HEX HEAD GRADE 5 | F05008-78 | 2 | |
| 8 | WASHER, 1/2" SAE FLAT | F05011-2 | 4 | |
| 9 | NUT, 1/2-13 NYLON LOCK | F05010-8 | 2 | |
| | COVER ASSEMBLY, STAINLESS STEEL BED RAIL (LONG) | A09956 | 1 | |
| 10 | Cover, Stainless Steel Bed Rail | S09944 | 1 | ◆ |
| 11 | Bolt, 5/16-18 X 2 1/2" Hex Head | F05006-10 | 3 | |
| 12 | Nut, 5/16-18 Hex Lock | F05010-6 | 3 | |
| 13 | WRENCH, BED RAIL ADJUSTMENT | 015970 | 1 | |

10.3 Bed Rail Assembly, Middle Rear



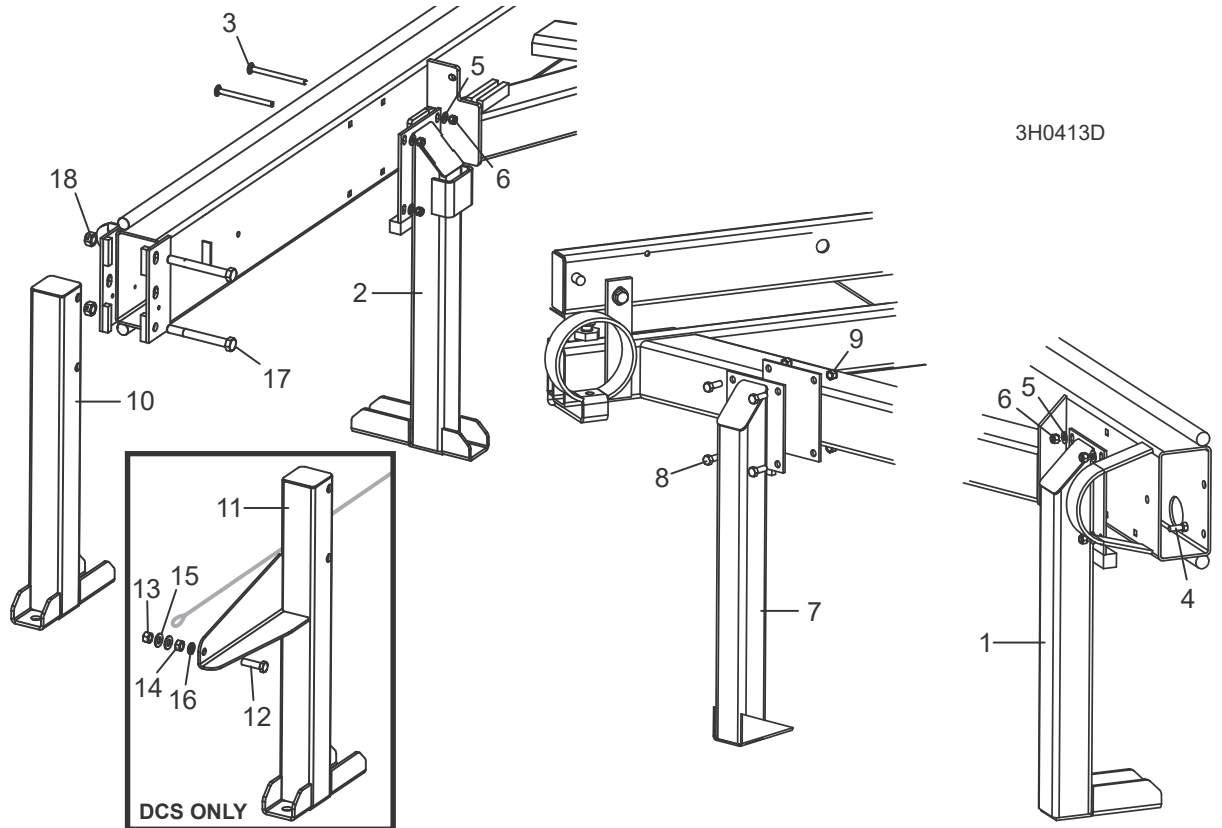
250038D

| REF | DESCRIPTION (◆ Indicates Parts Available In Assemblies Only) | PART # | QTY. | |
|-----|--|-----------|------|---|
| | BED RAIL ASSEMBLY, REAR MIDDLE | A09565 | 1 | |
| 1 | Bed Rail Tube, Short | 014640 | 1 | ◆ |
| 2 | Block, Log Stop w/Threaded Hole | 014639 | 1 | ◆ |
| 3 | Bolt, 3/8-16 x 1 1/2 Full Thead Hex Head | F05007-17 | 1 | |
| 4 | Nut, 3/8-16 Hex Jam | F05010-29 | 1 | |
| 5 | Pin, Ramp Mount | S04030 | 1 | |
| 6 | Tube, Ramp Retainer Mount | S09334 | 1 | ◆ |
| 7 | Nut, 5/8-11 Pilot Weld | F05010-84 | 2 | |
| 8 | Nut, 5/8-11 Hex | F05010-5 | 2 | |
| 9 | Bolt, Bed Rail Adjustment | S13006 | 2 | |
| 10 | Plate, Bed Rail End Cap | S04058 | 2 | ◆ |
| 11 | BOLT, 1/2-13 X 4" HEX HEAD GRADE 5 | F05008-78 | 2 | |
| 12 | WASHER, 1/2" SAE FLAT | F05011-2 | 4 | |

10**Bed Frame Assembly***Bed Rail Assembly, Middle Rear*

| | | | | |
|-----------|--|-----------|---|---|
| 13 | NUT, 1/2-13 NYLON LOCK | F05010-8 | 2 | |
| | COVER ASSEMBLY, STAINLESS STEEL BED RAIL (LONG) | A09956 | 1 | |
| 14 | Cover, Stainless Steel Bed Rail | S09944 | 1 | ◆ |
| 15 | Bolt, 5/16-18 X 2 1/2" Hex Head | F05006-10 | 3 | |
| 16 | Nut, 5/16-18 Hex Lock | F05010-6 | 3 | |
| 17 | WRENCH, BED RAIL ADJUSTMENT | 015970 | 1 | |

10.4 Leg Assembly



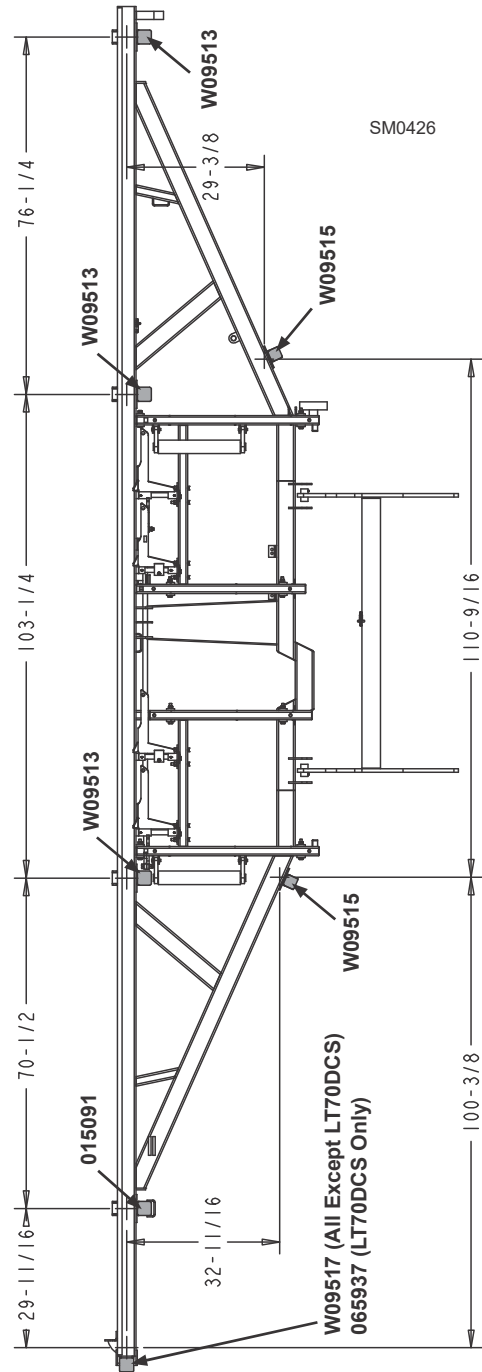
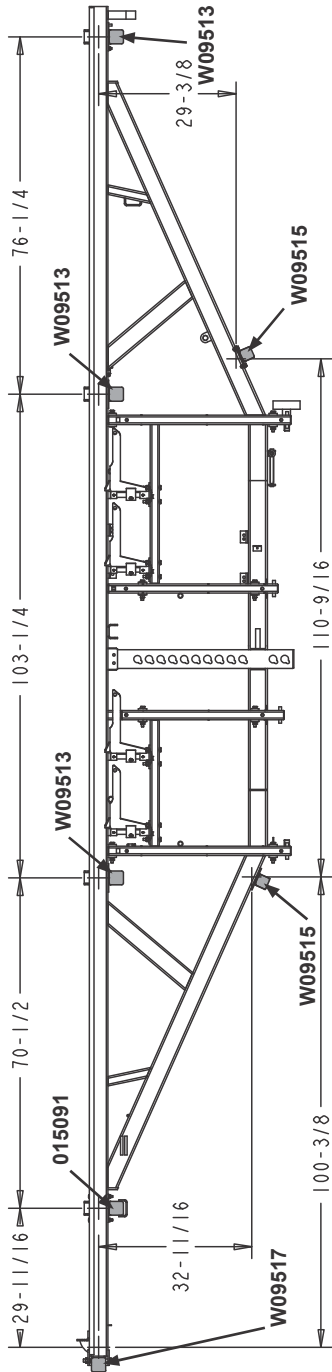
| REF | DESCRIPTION (◆ Indicates Parts Available In Assemblies Only) | PART # | QTY. |
|-----|---|------------|------|
| | See Form #847 or diagram below for stationary sawmill foot anchor locations | | |
| | See Form #359 for stationary sawmill w/bed extension foot anchor locations | | |
| 1 | LEG, LONG STATIONARY | W09513 | 3 |
| 2 | LEG, LONG STATIONARY W/BOARD RETURN TABLE BRACKET | 015091 | 1 |
| 3 | BOLT, 3/8-16 X 5" CARRIAGE HEAD | F05007-113 | 12 |
| 4 | BOLT, 3/8-16 X 1 1/4" HEX HEAD | F05007-2 | 4 |
| 5 | WASHER, 3/8" SAE FLAT | F05011-3 | 16 |
| 6 | NUT, 3/8-16 HEX NYLON LOCK | F05010-10 | 16 |
| 7 | LEG, SHORT STATIONARY | W09515 | 2 |
| 8 | BOLT, 3/8-16 X 1 1/4" HEX HEAD | F05007-2 | 8 |
| 9 | NUT, 3/8-16 HEX NYLON LOCK | F05010-10 | 8 |
| 10 | LEG, FRONT STATIONARY (ALL EXCEPT LT70DCS) | W09517 | 1 |
| | LEG ASSEMBLY, FESTOON FRONT STATIONARY (LT70DCS ONLY) | 065937 | 1 |
| 11 | Leg Weldment, Festoon Stationary Front | 065935 | 1 |
| 12 | Bolt, 1/2-13 x 1 3/4" Full Thread Hex Head Grade 5 | F05008-88 | 1 |
| 13 | Nut, 1/2-13 Swaged Hex | F05010-3 | 1 |
| 14 | Nut, 1/2-13 Free Hex | F05010-35 | 1 |

10

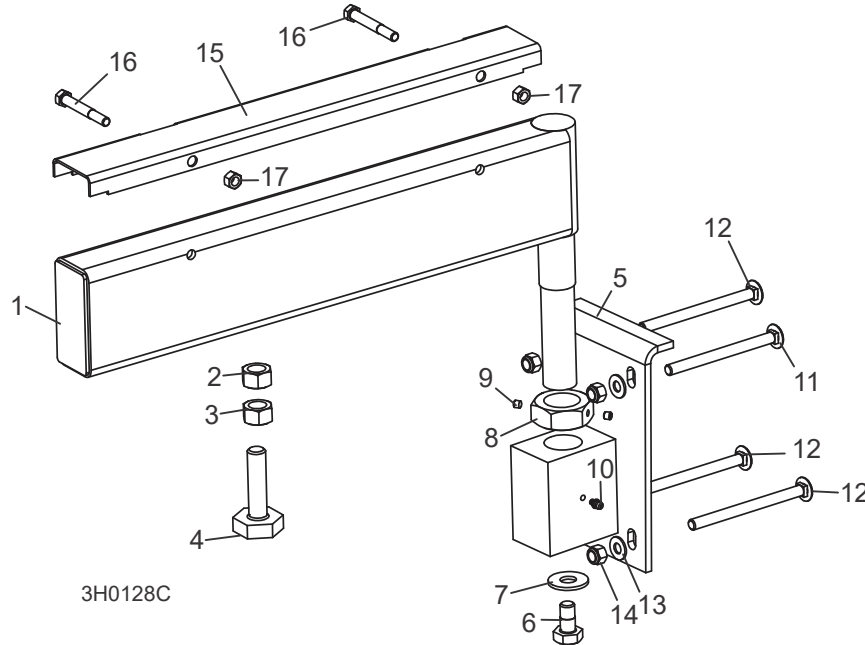
Bed Frame Assembly

Leg Assembly

| | | | | |
|----|--|-----------|---|--|
| 15 | Washer, 1/2" SAW Flat | F05011-2 | 2 | |
| 16 | Washer, 1/2" Split Lock | F05011-9 | 1 | |
| 17 | BOLT, 5/8-11 X 5 1/2" HEX HEAD GRADE 5 (ALL EXCEPT LT70DCS) | F05009-11 | 2 | |
| 18 | NUT, 5/8-11 HEX LOCK (ALL EXCEPT LT70DCS) | F05010-4 | 2 | |



10.5 Pivot Bed Rail Assembly



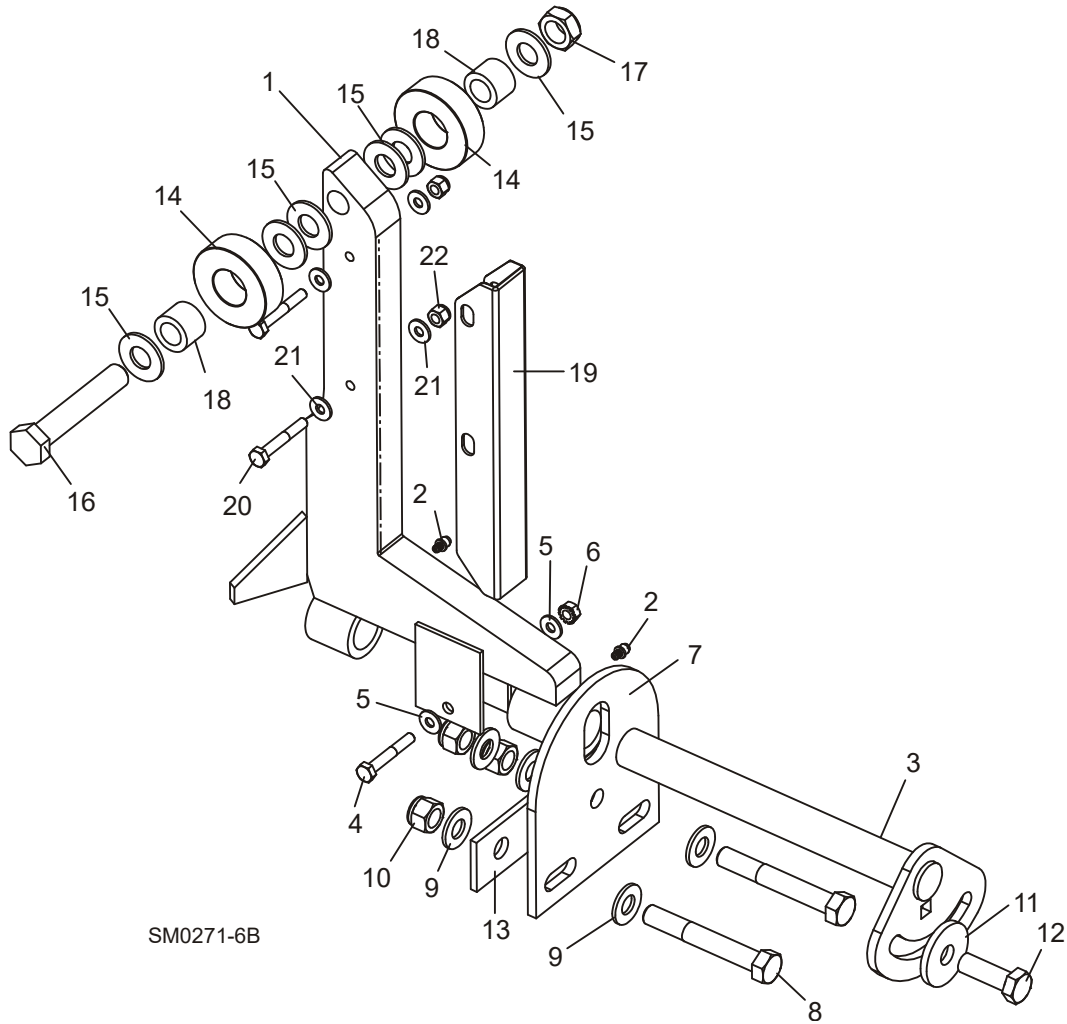
| REF | DESCRIPTION (◆ Indicates Parts Available In Assemblies Only) | PART # | QTY. | |
|-----|--|------------|------|---|
| | PIVOT BED RAIL ASSEMBLY () | A13015 | | |
| 1 | Pivot Bed Rail Weldment () | W13014 | 1 | ◆ |
| 2 | Nut, 5/8-11 Pilot Weld | F05010-84 | 2 | |
| 3 | Nut, 5/8-11 Hex | F05010-5 | 2 | |
| 4 | Bolt, Bed Rail Adjustment | S13006 | 2 | |
| 5 | Bracket, Pivot Rail Mounting | W13090 | 1 | |
| 6 | Bolt, 1/2-13 x 1" Hex Head Grade 2 | F05008-50 | 1 | |
| 7 | Washer, 9/16" SAE Flat | F05011-52 | 1 | |
| 8 | Nut, Pivot Rail Adjustment | S13016 | 1 | |
| 9 | Screw, 1/4-28 x 1/4" Brass Tip Set | F05005-42 | 2 | |
| 10 | Fitting, 3/16" Grease | P04107 | 1 | |
| 11 | BOLT, 3/8-16 X 4 3/4" CARRIAGE HEAD | F05007-114 | 2 | |
| 12 | BOLT, 3/8-16 X 5" CARRIAGE HEAD | F05007-113 | 6 | |
| 13 | WASHER, 3/8" SAE FLAT | F05011-3 | 8 | |
| 14 | NUT, 3/8-16 NYLON LOCK | F05010-10 | 8 | |
| | COVER KIT, PIVOT RAIL STAINLESS STEEL () | 017710 | 2 | |
| 15 | Cover, Stainless Steel Pivot Bed Rail () | S13012 | 1 | |
| 16 | Bolt, 5/16-18 X 2 1/2" Hex Head | F05006-10 | 2 | |
| 17 | Nut, 5/16-18 Hex Lock | F05010-6 | 2 | |
| | WRENCH, BED RAIL ADJUSTMENT (See Section 10.1) | 015970 | 1 | |

10

Bed Frame Assembly Log Side Support Assembly (Manual)

10.6 Log Side Support Assembly (Manual)

[See Section 11.6](#) for optional hydraulic side supports



| REF | DESCRIPTION (◆ Indicates Parts Available In Assemblies Only) | PART # | QTY. |
|-----|--|-----------|------|
| 1 | SUPPORT, LOG SIDE | 015235 | 4 |
| 2 | Fitting, 3/16" Grease | P04107 | 2 |
| | MOUNTING KIT, LOG SIDE SUPPORT | 016559 | 4 |
| 3 | Pin, Log Side Support Pivot | 016544 | 1 |
| 4 | Bolt, 1/4-20 X 1 1/2" Hex Head Grade 5 | F05005-4 | 1 |
| 5 | Washer, 1/4" SAE Flat | F05011-11 | 2 |
| 6 | Nut, 1/4-20 Self Locking | F05010-9 | 1 |
| 7 | Plate, Log Side Support End | 016555 | 1 |
| 8 | Bolt, 1/2-13 X 3 1/2" Hex Head Grade 5 | F05008-61 | 2 |
| 9 | Washer, 1/2" SAE Flat | F05011-2 | 5 |
| 10 | Nut, 1/2-13 Hex Nylon Lock | F05010-8 | 3 |

| | | | | |
|-----------|---|-----------------------|----|--|
| 11 | Washer, .52" x 1.69" | 014632 | 1 | |
| 12 | Bolt, 1/2-13 X 1 1/2" Hex Head Grade 5 | F05008-33 | 1 | |
| 13 | Plate, Side Support Washer Clamp | 016558 | 1 | |
| | ROLLER KIT, SIDE SUPPORT | 016562 | 4 | |
| 14 | Roller, Side Support | 016561 | 2 | |
| 15 | Washer, 5/8" SAE Flat | F05011-5 ¹ | 6 | |
| 16 | Bolt, 5/8-11 x 3 3/4" Hex Head Grade 5 | F05009-118 | 1 | |
| 17 | Nut, 5/8-11 Hex Nylon Lock Jam | F05010-96 | 1 | |
| 18 | Bushing, Bronze 5/8" x 1" x 3/4" | 016560 | 2 | |
| | Bolt, 1/2-13 x 3 1/2" Carriage Head | F05008-94 | 1 | |
| | Instruction Sheet, Side Support Roller | 016562-526 | 1 | |
| | GUARD KIT, STAINLESS STEEL SIDE SUPPORT (OPTIONAL) | 016798 | 1 | |
| 19 | Guard, Stainless Steel Side Support | 016722 | 4 | |
| 20 | Bolt, 1/4-20 x 1 3/4" Hex Head | F05005-4 | 8 | |
| 21 | Washer, 1/4" SAE Flat | F05011-11 | 16 | |
| | Washer, 5/8" SAE Flat | F05011-5 ¹ | 4 | |
| 22 | Nut, 1/4-20 Hex Nylon Lock | F05010-69 | 8 | |
| | Instruction Sheet, Stainless Steel Side Support Guard Retro | 016798-1005 | 1 | |

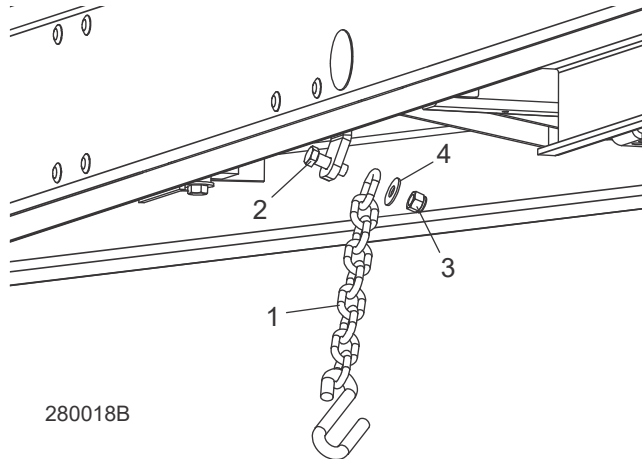
¹ Additional 5/8" SAE Flat Washer F05011-5 may be required on each side of side support to provide clearance for optional stainless steel side support guards. Extra washers are included in the stainless steel guard retrofit kit (016798).

10

Bed Frame Assembly

Safety Chain Assembly

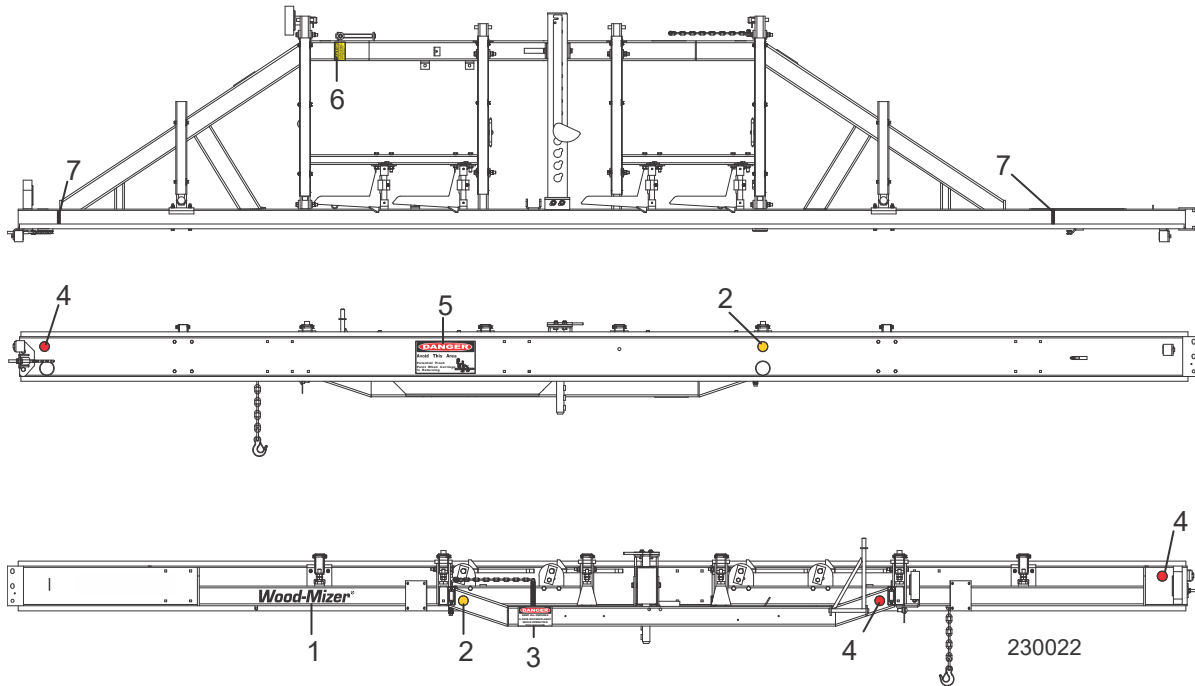
10.7 Safety Chain Assembly



280018B

| REF | DESCRIPTION (◆ Indicates Parts Available In Assemblies Only) | PART # | QTY. | |
|-----|--|-----------|------|--|
| 1 | CHAIN, 15 INCH SAFETY | 107972 | 1 | |
| 2 | BOLT, 1/2-13X1 1/2 HEX HEAD GRADE 5 | F05008-33 | 1 | |
| 3 | NUT, 1/2-13 NYLON HEX LOCK | F05010-8 | 1 | |
| 4 | WASHER, 7/16 STANDARD FLAT | F05011-35 | 1 | |

10.8 Bed Frame Decals

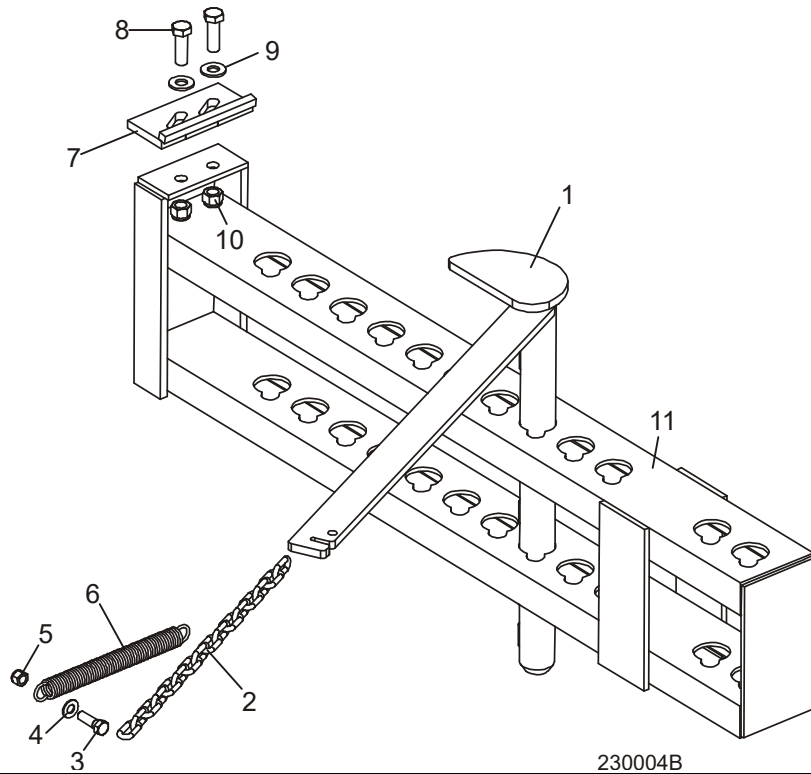


| REF | DESCRIPTION (◆ Indicates Parts Available In Assemblies Only) | PART # | QTY. |
|-----|--|--------|------|
| 1 | DECAL, WOOD-MIZER LOGO | S12281 | 1 |
| 2 | DECAL, AMBER REFLECTIVE 2" ROUND | P07453 | 2 |
| 3 | DECAL, KEEP AWAY DANGER | S09851 | 1 |
| 4 | DECAL, RED REFLECTIVE 2" ROUND | P07452 | 3 |
| 5 | DECAL, PINCH POINT DANGER | P10287 | 1 |
| 6 | DECAL, SAW HEAD REST CAUTION | S12581 | 1 |
| 7 | DECAL, LOG LIMIT STRIPE | S12051 | 2 |

1 Bed Frame Assembly

Log Clamp

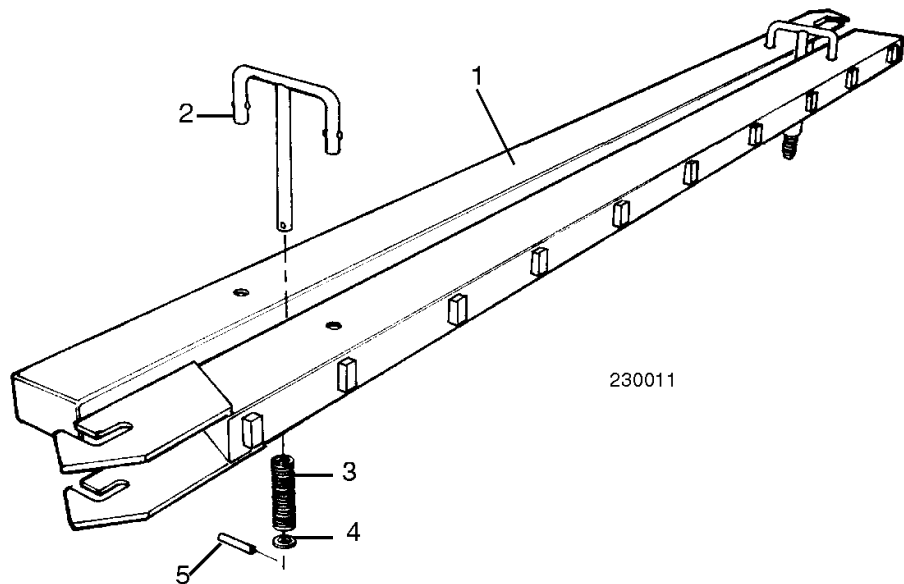
10.9 Log Clamp



230004B

| REF | DESCRIPTION (◆ Indicates Parts Available In Assemblies Only) | PART # | QTY. |
|-----|--|-----------|------|
| 1 | CLAMP, LOG | W09412 | 1 |
| 2 | CHAIN, LOG CLAMP | M04311 | 1 |
| 3 | BOLT, 3/8-16 X 1 1/4" HEX HEAD GRADE 2 | F05007-2 | 1 |
| 4 | WASHER, 3/8" STANDARD FLAT | F05011-3 | 2 |
| 5 | NUT, 3/8-16 HEX NYLON LOCK | F05010-10 | 1 |
| 6 | SPRING, LOG CLAMP CHAIN | P09136 | 1 |
| 7 | PLATE, LOG CLAMP STOP | W09404 | 1 |
| 8 | BOLT, 1/2-13 X 1 1/2" HEX HEAD GRADE 5 | F05008-33 | 2 |
| 9 | WASHER, 1/2" SAE FLAT | F05011-2 | 2 |
| 10 | NUT, 1/2-13 HEX NYLON LOCK | F05010-8 | 2 |
| 11 | CHANNEL WELDMENT, MANUAL LOG CLAMP | W09310 | 1 |

10.10 Log Loading Ramps

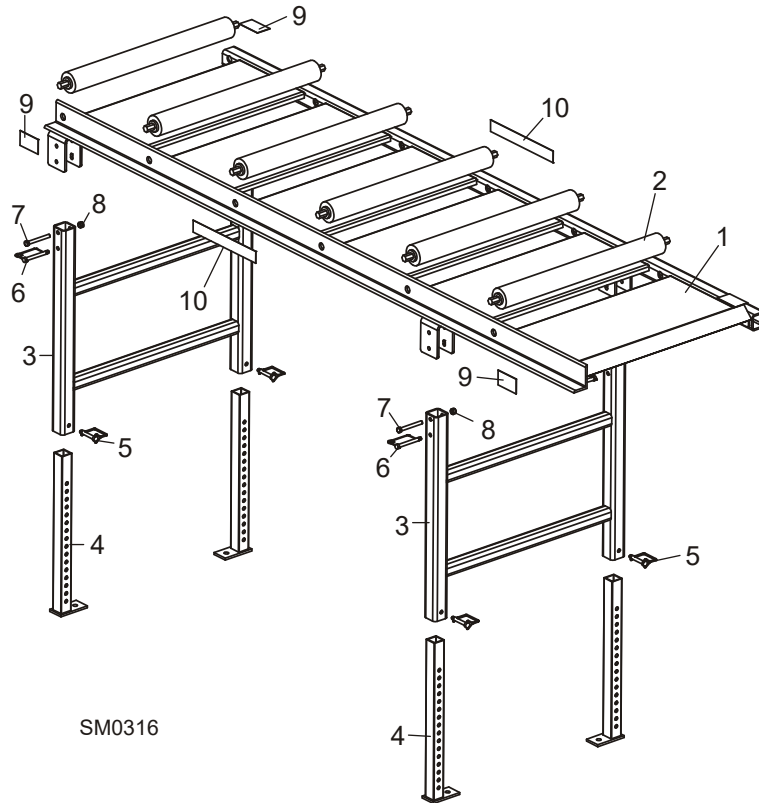


| REF | DESCRIPTION (◆ INDICATES PARTS AVAILABLE IN ASSEMBLIES ONLY) | PART # | QTY. | |
|-----|--|-----------|------|---|
| | RAMP KIT, LOG LOADING WITH RETAINERS | K09466 | 1 | |
| 1 | Ramp, Log Loading | W09014 | 2 | |
| | Retainer Kit, Log Ramp | K09810 | 2 | |
| 2 | Retainer, Log Ramp | W09413 | 1 | ◆ |
| 3 | Spring, Log Ram Retainer | P09335 | 1 | |
| 4 | Washer, 5/8" I.D. x .100" Thick Nylon | F05011-19 | 1 | |
| 5 | Pin, 3/16" x 1" Roll | F05012-11 | 1 | |

10

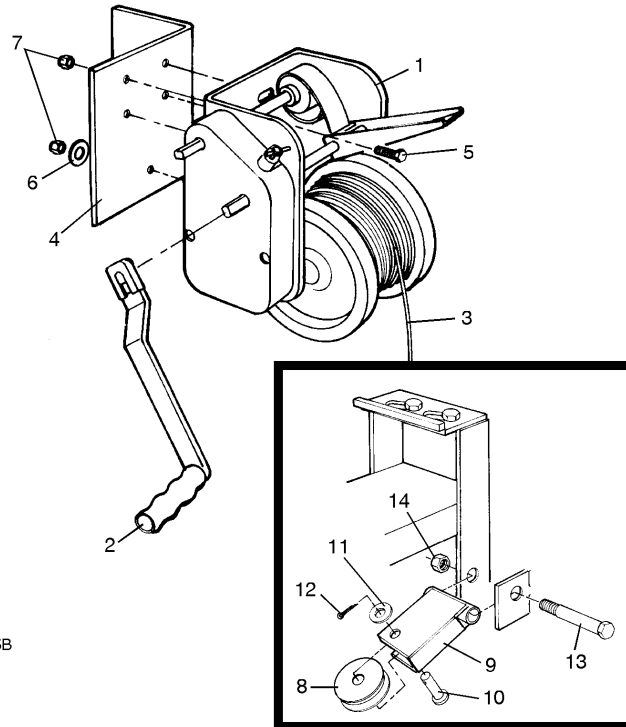
Bed Frame Assembly Board Outfeed Table (Optional)

10.11 Board Outfeed Table (Optional)



| REF | DESCRIPTION (◆ Indicates Parts Available In Assemblies Only) | PART # | QTY. |
|-----|--|------------|------|
| | TABLE ASSEMBLY, BOARD OUTFEED | 016652 | 1 |
| 1 | Table Weldment, Board Outfeed | 016606 | 1 |
| 2 | Roller, 2 1/2" x 25" | 038167 | 6 |
| 3 | Mount Weldment, Outfeed Table Leg | 016609 | 2 |
| 4 | Leg Weldment, Outfeed Table | 016651 | 4 |
| 5 | Pin, 3/8" x 2 1/4" Square Wire Lock | 014151 | 4 |
| 6 | Pin, Snap - Coil Tension | 016677 | 4 |
| 7 | Bolt, 3/8-16 x 3 1/4" Hex Head | F05007-135 | 4 |
| 8 | Nut, 3/8-16 Hex Nylon Lock | F05010-10 | 4 |
| 9 | Decal, Hand Pinch Point Warning | S12641 | 4 |
| 10 | Decal, 1 1/2" Wood-Mizer Logo | 016991 | 2 |

10.12 Manual Winch (Optional)

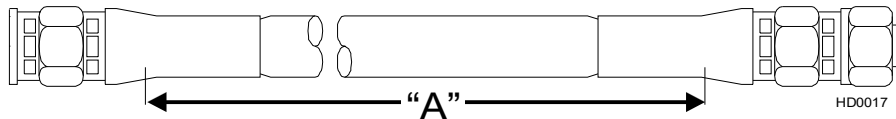


SM0005B

| REF | DESCRIPTION (◆ Indicates Parts Available In Assemblies Only) | PART # | QTY. | |
|-----|--|-----------|------|---|
| | MANUAL WINCH ASSEMBLY | MW-A | 1 | |
| 1 | Winch, Manual 3500lb | P12323 | 1 | ◆ |
| 2 | Handle, Manual Winch | P04487 | 1 | |
| 3 | Cable, Manual Winch 7/32" Dia. X 50' Long | P05087 | 1 | |
| 4 | Bracket, Winch Mount | S12321 | 1 | |
| 5 | Bolt, 3/8-16 X 1 1/4" Carriage | F05007-11 | 5 | |
| 6 | Washer, 3/8" Flat | F05011-3 | 1 | |
| 7 | Nut, 3/8-16 Hex Lock | F05010-10 | 5 | |
| 8 | Pulley, Winch Cable Guide | S09393 | 1 | |
| 9 | Bracket, Winch Cable Guide Pulley | W09429 | 1 | |
| 10 | Pin, 1/2" X 1 27/64" Clevis | F05012-24 | 1 | |
| 11 | Washer, 1/2" Sae Flat | F05011-2 | 1 | |
| 12 | Pin, 1/8" X 1" Cotter | F05012-1 | 1 | |
| 13 | Bolt, 5/8-11 X 4" Hex Head Full Thread | F05009-8 | 1 | |
| 14 | Nut, 5/8-11 Nylon Lock | F05010-34 | 1 | |

SECTION 11 BED HYDRAULIC LOG LOADER & TURNER (OPTIONAL)

11.1 Hydraulic Hoses



| COLOR | LENGTH "A" | DESCRIPTION (NOTE: See Hydraulic Information Section in Operator's Manual for Hydraulic Schematics) | PART # | QTY. |
|--------|------------|---|------------|------|
| Green | 62" | LOADING ARM BRANCH TOP | 079000-62 | 2 |
| Yellow | 64" | LOADING ARM BRANCH BASE | 079000-64 | 2 |
| Blue | 148" | LOADING ARM TOP | 079000-148 | 1 |
| Red | 158" | LOADING ARM BOTTOM | 079000-158 | 1 |
| Plain | 27" | LOG TURNER BASE | 079000-27 | 1 |
| Orange | 18" | LOG TURNER TOP | 079000-18 | 1 |
| Plain | 220" | SIDE SUPPORT TOP | 079000-220 | 1 |
| Pink | 206" | SIDE SUPPORT BASE | 079000-206 | 1 |

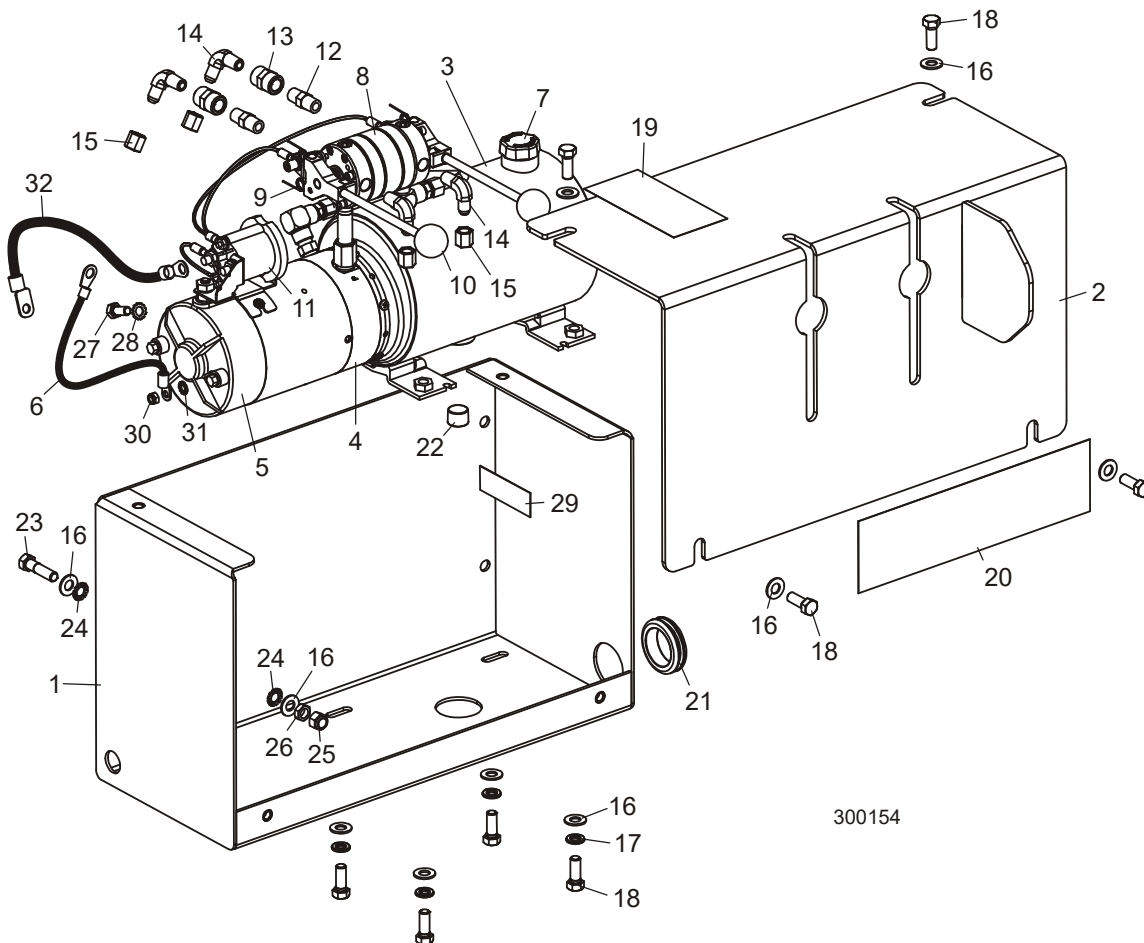
11 Bed Hydraulic System

Hydraulic Loader/Turner Control Box (Optional)

11.2 Hydraulic Loader/Turner Control Box (Optional)

HCA-A-35

Rev. A1.00+



| REF | DESCRIPTION (◆ Indicates Parts Available In Assemblies Only) | PART # | QTY. |
|-----|--|--------|------|
| | BOX ASSEMBLY, HYDRAULIC DUAL FUNCTION CONTROL | 025717 | 1 |
| 1 | Box Weldment, Hydraulic Dual Function Control | 025716 | 1 |
| 2 | Cover Weldment, Hydraulic Dual Function Control | 025714 | 1 |
| 3 | Pump/Valve Assembly, Hydraulic Dual Function #M-500 4W/4W | 025713 | 1 |
| 4 | Pump, Hydraulic Replacement Monarch Model #12171-250 | | 1 |
| | Motor Kit, Hydraulic Replacement | 052807 | 1 |
| 5 | Motor, 12 VDC Hydraulic Pump #08714 (Iskra) | 038683 | 1 ◆ |
| | Brush Kit, 4-Valve Hydraulic Pump Motor #08658-I (Iskra) | 038682 | 1 |
| | Bearing, Base Motor #02318 | P12513 | 1 |
| 6 | Wire Assembly, Motor Brush Ground | 052806 | 1 |
| 7 | Cap, Hydraulic Pump Vented Fill #01143 | P09596 | 1 |
| 8 | Valve Assembly, 4-Way Monarch #19760 | | 2 |
| 9 | Spring, Hydraulic Pump Valve Contact #00015 | 025818 | 4 |

Bed Hydraulic System

Hydraulic Loader/Turner Control Box (Optional)

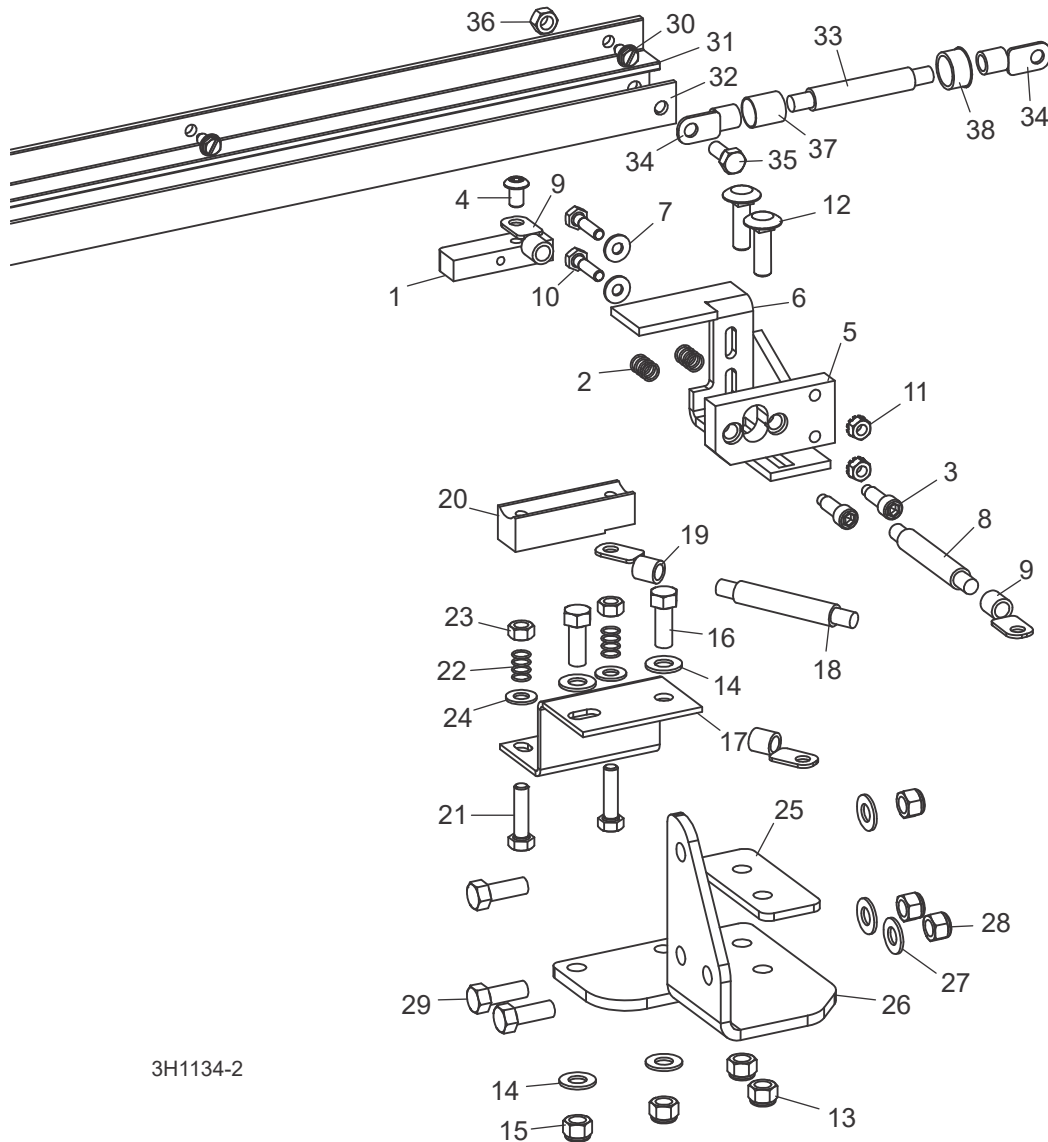
11

| | | | | |
|----|--|------------|----|--|
| 10 | Handle Assembly, Hydraulic Pump Valve # | | 2 | |
| | Spring, Hydraulic Pump Valve Handle #00018 | P09753 | 2 | |
| 11 | Solenoid, 12 VDC Motor Starter #17744 | | 1 | |
| 12 | Fitting, 1/4" NPT Hex Nipple | P05389 | 2 | |
| 13 | Fitting, 1/4" NPT Coupling | P03420 | 2 | |
| 14 | Fitting, 1/4" NPT x 1/4" JIC Male Elbow | P09142 | 4 | |
| 15 | Fitting, 1/4" JIC Cap | 016815 | 4 | |
| 16 | Washer, 3/8" SAE Flat | F05011-3 | 10 | |
| 17 | Washer, 3/8" Split Lock | F05011-4 | 4 | |
| 18 | Bolt, 3/8-16 X 1" Hex Head Grade 5 | F05007-87 | 8 | |
| 19 | Decal, Keep Away Hydraulic Warning | P12961 | 1 | |
| 20 | Decal, Hydraulic Logo | 036720 | 1 | |
| 21 | Grommet, 1 1/2" x 3/16" | 043405 | 1 | |
| 22 | Fitting, 1/2" NPT Plug | P26258 | 1 | |
| 23 | Bolt, 3/8-16 x 1 1/2" Hex Head Grade 5 | F05007-78 | 1 | |
| 24 | Washer, 3/8" External Star Lock | F05011-36 | 2 | |
| 25 | Nut, 3/8-16 Hex Nylon Lock | F05010-10 | 1 | |
| 26 | Nut, 3/8-16 Hex Jam | F05010-29 | 1 | |
| 27 | Bolt, 5/16-18 x 3/4" Hex Head | F05006-5 | 1 | |
| 28 | Washer, 5/16" External Star Lock | F05011-33 | 1 | |
| 29 | Decal, Hydraulic Fluid | S12825 | 1 | |
| 30 | Nut, M6-1.0 Hex Nylon Lock | F05010-200 | 1 | |
| 31 | Washer, 1/4" Exterior Star Lock | F05011-37 | 1 | |
| 32 | Cable Assembly, 10" Pump To Solenoid | | 1 | |
| | FLUID, 1-QUART DEXRON III HYDRAULIC | P12742 | 4 | |
| | FLUID, 1-GALLON CONOCO MV32 | 006397 | 1 | |
| | FLUID, 1-GALLON EXXON UNIVIS HVI 13 HYDRAULIC | P12822 | 1 | |

11 Bed Hydraulic System

Hydraulic Power Supply Strip (Optional)

11.3 Hydraulic Power Supply Strip (Optional)



| REF | DESCRIPTION (◆ Indicates Parts Available In Assemblies Only) | PART # | QTY. | |
|-----|--|------------|------|---|
| | CONTACT ASSEMBLY, HYDRAULIC POWER SUPPLY (POSITIVE) | 010103 | 1 | |
| | Contact Kit, 97+ Hydraulic Power Supply Positive | 007716 | 1 | |
| 1 | Contact, Hydraulic Power Supply (Positive) | 015253 | 1 | ◆ |
| 2 | Spring, Positive Contact | P10077 | 2 | |
| 3 | Bolt, 5/16" x 3/4" Shoulder (1/4-20 Thread) Stainless | F05006-143 | 2 | |
| 4 | Bolt, 5/16-18 x 1/2" Socket Button Head | F05006-20 | 1 | |
| 5 | Insulator, Positive Contact | S10072 | 1 | |

Bed Hydraulic System

Hydraulic Power Supply Strip (Optional)

11

| | | | | |
|----|---|---------------------|------|---|
| 6 | Bracket, Positive Contact Mounting | 015324 | 1 | |
| 7 | Washer, 1/4" SAE Flat | F05011-11 | 2 | |
| 8 | Cable, #1 Weld | R01971 | 1 Ft | ◆ |
| 9 | Terminal, 5/16" Ring #2 Gauge | F05092-16 | 2 | |
| 10 | Bolt, 1/4-20 x 1" Hex Head Grade 2 | F05005-38 | 2 | |
| 11 | Nut, 1/4-20 Hex Self-Locking | F05010-9 | 2 | |
| 12 | Bolt, 3/8-16 x 1 1/4" Carriage Head | F05007-11 | 2 | |
| 13 | Nut, 3/8-16 Hex Nylon Lock | F05010-10 | 2 | |
| | CONTACT ASSEMBLY, LT35 HYDRAULIC POWER SUPPLY (GROUND) | 065081 | 1 | |
| 14 | Washer, 3/8" SAE Flat | F05011-3 | 4 | |
| 15 | Nut, 3/8-16 Hex Nylon Lock | F05010-10 | 2 | |
| 16 | Bolt, 3/8-16 x 4" Square Head | F05007-7 | 2 | |
| 17 | Bracket, Ground Contact Mounting | 016792 | 1 | |
| 18 | Cable, #1 Weld | R01971 | 1 Ft | ◆ |
| 19 | Terminal, 5/16" Ring #2 Gauge | F05092-16 | 1 | |
| | Contact Kit, Hydraulic Ground 1997+ | 007717 | 1 | |
| 20 | Contact, Hydraulic Power Supply (Ground) | 015264 | 1 | ◆ |
| 21 | Bolt, 5/16-18 x 1 1/2" Hex Head Grade 5 | F05008-96 | 2 | |
| 22 | Spring, Ground Contact | P10077 | 2 | |
| 23 | Nut, 5/16-18 Hex | F05010-17 | 2 | |
| 24 | Washer, 5/16" SAE Flat | F05011-17 | 2 | |
| 25 | PLATE, LT35 POSITIVE CONTACT SPACER | 025964 | 1 | |
| 26 | PLATE, LT35 CONTACT MOUNT | 059636 | 1 | |
| 27 | WASHER, 3/8" SAE FLAT | F05011-3 | 3 | |
| 28 | NUT, 3/8-16 HEX NYLON LOCK | F05010-10 | 3 | |
| 29 | BOLT, 3/8-16x1 HHC | F05007-7 | 3 | |
| | STRIP ASSEMBLY, 6 FT. CONTACT | A11977 ¹ | 1 | |
| 30 | Bolt, 1/4-20 x 1/2" Self Tap HH | F05015-1 | 2 | |
| 31 | Housing, Contact Strip | P11976 | 1 | |
| | Strip, Hydraulic Contact w/Cable | A12043-N | 1 | |
| 32 | Strip, 1/8" x 1" x 69-13/16" Contact | S10075 | 1 | ◆ |
| 33 | Cable, 1AWG SO Welding | R01971 | 1 | ◆ |
| 34 | Terminal, 5/16" 1-2Ga Ring NI Loose | F05092-16 | 2 | |
| 35 | Screw, 5/16-18 x 3/4" Black Nylon HHC | F05006-45 | 1 | |
| 36 | Nut, 5/16-18 Black Nylon Hex | F05010-86 | 1 | |
| 37 | Tubing, 5/8" Heat Shrink w/Adhesive ID | R01950-8 | 1 | |
| | Instruction Sheet, Strip Replacement | A12043-406 | 1 | |
| 38 | Grommet, 5/8" Wire | P04137 | 1 | |

¹ Replaces 065046 Short Contact Strip Assembly including 065044 Contact Strip Housing and 065045 1/8" x 1" x 15-13/16" Contact Strip (Rev. A4.00). Use 065046 Short Contact Strip Assembly to service LT35/LT35HD prior to Rev. A4.00. (NOTE: A11977 Contact Strip Assembly is too long and cannot be used on LT35/LT35HD prior to Rev. A4.00. Damage to sawmill may result.)

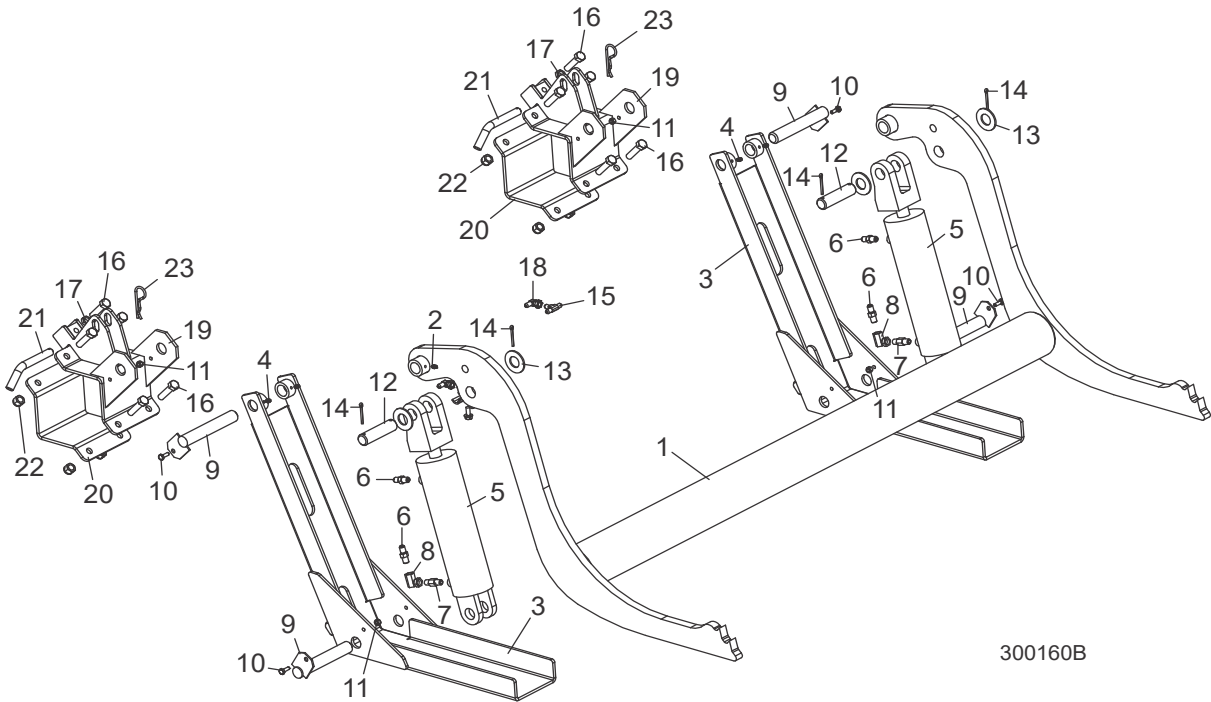
11

Bed Hydraulic System Hydraulic Log Loader (Optional)

11.4 Hydraulic Log Loader (Optional)

HLA-A

Rev. A3.00+



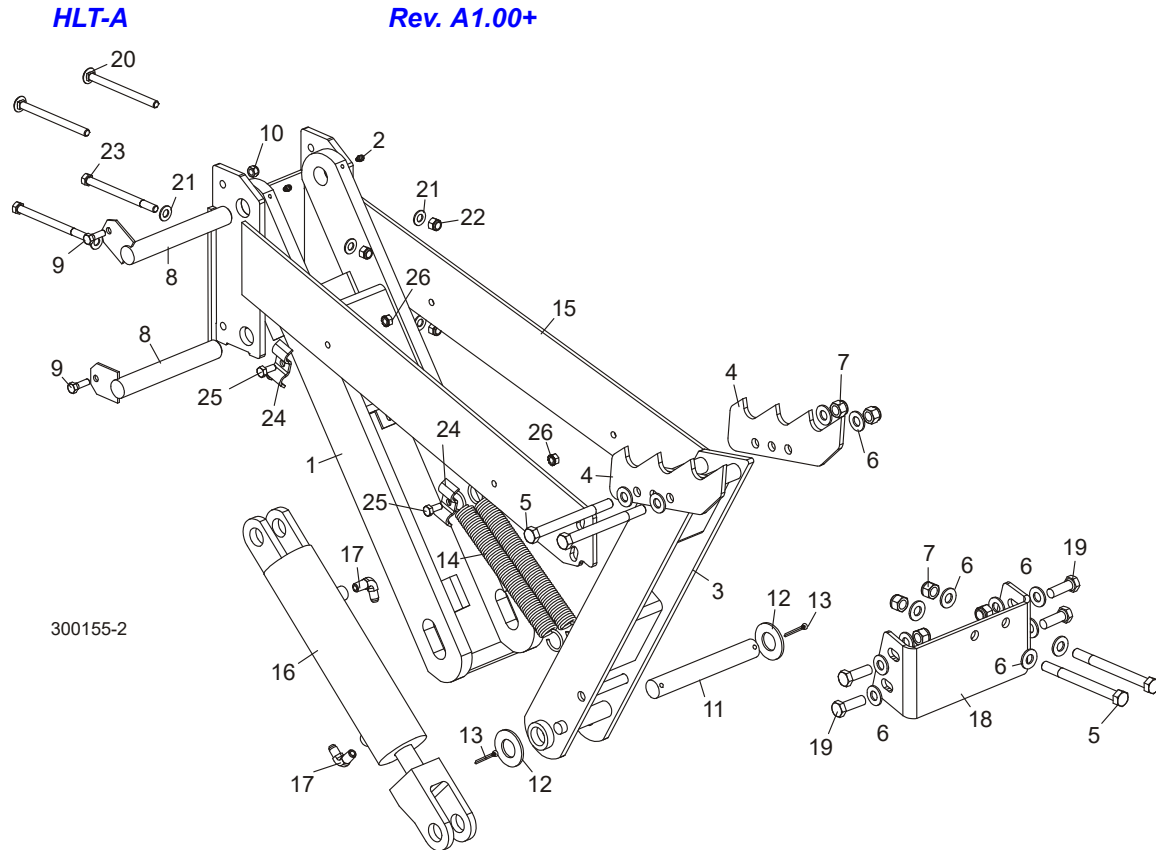
| REF | DESCRIPTION (◆ Indicates Parts Available In Assemblies Only) | PART # | QTY. | |
|-----|--|------------|------|---|
| 1 | ARM, HYDRAULIC LOG LOADING | 036722 | 1 | |
| 2 | Fitting, 3/16" Grease | P04107 | 2 | |
| 3 | CHANNEL, HYDRAULIC LOG LOADING FOOT | W09444 | 2 | |
| 4 | Fitting, 3/16" Grease | P04107 | 4 | |
| | CYLINDER ASSEMBLY, HYDRAULIC LOG LOADING ARM | A09284 | 2 | ◆ |
| 5 | Cylinder, 8" X 3" Hydraulic | P12847 | 1 | |
| | Seal Kit, 8" x 3" Hydraulic Cylinder | P12956 | 1 | |
| 6 | Fitting, C5205x4x4 Male Connector | P09143 | 2 | |
| 7 | Fitting, 0455x4x4 90° Swivel Elbow | P12199 | 1 | |
| | Fitting Kit, 1/4NPT 5.0GPM Velocity Fuse | 015832 | 1 | |
| 8 | Fitting, 1/4NPT 5.0GPM Velocity Fuse | 015750 | 2 | ◆ |
| | Instruction Sheet, Velocity Fuse Replacement | 015832-255 | 1 | |
| 9 | PIN, LOADING ARM MOUNT | W09446 | 4 | |
| 10 | BOLT, 1/4-20 X 3/4" HEX HEAD FULL THREAD | F05005-1 | 4 | |
| 11 | NUT, 1/4-20 HEX LOCK | F05010-69 | 4 | |
| 12 | PIN, LOADING ARM CYLINDER MOUNT | S09251 | 2 | |

Bed Hydraulic System
Hydraulic Log Loader (Optional)

11

| | | | | |
|----|--|------------|----|--|
| 13 | WASHER, 1" SAE FLAT | F05011-28 | 4 | |
| 14 | PIN, 3/16" X 1 1/2" COTTER | F05012-23 | 4 | |
| 15 | FITTING, C5705X5X4 UNION 'T' | P09145 | 2 | |
| 16 | BOLT, 1/2-13 X 2" HEX HEAD FULL THREAD GRADE 5 | F05008-116 | 10 | |
| 17 | NUT, 1/2-13 JAM | F05010-31 | 2 | |
| 18 | FITTING, 1/4" JIC X 1/4" JIC ELBOW | 036715 | 2 | |
| 19 | MOUNT WELDMENT, LOADER ARM | 048270 | 2 | |
| 20 | PLATE WELDMENT, LOADER ARM MOUNT | 036737 | 2 | |
| 21 | PIN ASSEMBLY, 3/8" X 3" WIRE LOCK | 038472 | 2 | |
| 22 | NUT, 1/2-13 HEX NYLON LOCK | F05010-8 | 8 | |

11.5 Hydraulic Log Turner (Optional)



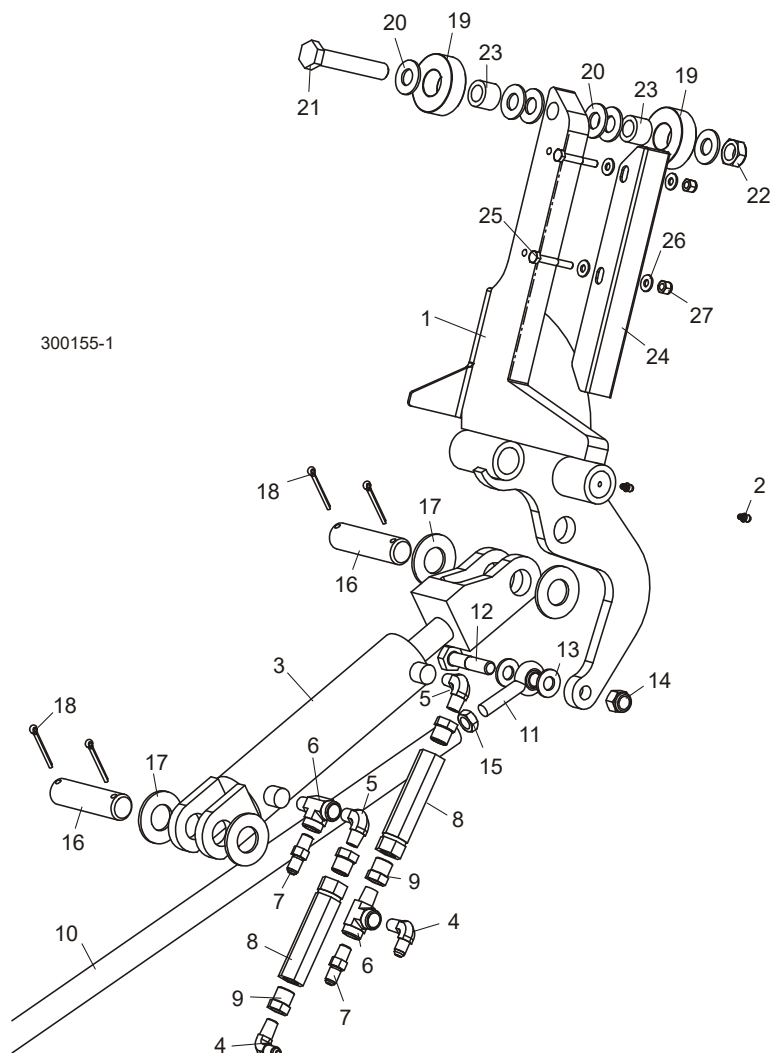
| REF | DESCRIPTION (◆ Indicates Parts Available In Assemblies Only) | PART # | QTY. |
|-----|--|-----------|------|
| | ARM ASSEMBLY, MANUAL MILL HYDRAULIC TURNER | 007069 | 1 |
| 1 | Arm, Hydraulic Log Turner Link | 015231 | 1 |
| 2 | Fitting, 3/16" Grease | P04107 | 2 |
| 3 | Arm, Hydraulic Log Turner Painted | 015233 | 1 |
| 4 | Claw, Hydraulic Log Turner | 014675 | 2 |
| 5 | Bolt, 1/2-13 X 5 1/2" Hex Head Grade 5 | F05008-28 | 4 |
| 6 | Washer, 1/2" SAE Flat | F05011-2 | 16 |
| 7 | Nut, 1/2-13 Hex Nylon Lock | F05010-8 | 8 |
| 8 | Pin, Log Turner Mount | 015085 | 2 |
| 9 | Bolt, 5/16-18 X 1" Hex Head Grade 2 | F05006-1 | 2 |
| 10 | Nut, 5/16-18 Hex Nylon Lock | F05010-58 | 2 |
| 11 | Pin, Log Turner Pivot | S09246 | 1 |
| 12 | Washer, 1" SAE Flat | F05011-28 | 2 |
| 13 | Pin, 3/16" X 1 1/2" Cotter | F05012-23 | 2 |
| 14 | Spring, Hydraulic Log Turner | 015718 | 2 |
| 15 | Mount Weldment, Manual Mill Hydraulic Log Turner | 006999 | 1 |

Bed Hydraulic System
Hydraulic Log Turner (Optional)

11

| | | | | |
|-----------|---|------------|---|---|
| | Cylinder Assembly, Hydraulic Log Turner | A09286 | 1 | |
| 16 | Cylinder, 8" X 2 1/2" Hydraulic | P12846 | 1 | ◆ |
| | Seal Kit, 8" x 2 1/2" Hydraulic Cylinder | P12955 | 1 | |
| 17 | Fitting, 1/4" NPT x 1/4" JIC 90° Male Elbow | P09142 | 2 | |
| 18 | Plate, Manual Mill Hydraulic Log Turner Mount | 007048 | 1 | |
| 19 | Bolt, 1/2-13 x 1 1/2" Hex Head Grade 5 | F05008-33 | 4 | |
| 20 | Bolt, 3/8-16 x 5" Carriage Head | F05007-113 | 2 | |
| 21 | Washer, 3/8" SAE Flat | F05011-3 | 6 | |
| 22 | Nut, 3/8-16 Hex Nylon Lock | F05010-10 | 4 | |
| 23 | Bolt, 3/8-16 x 5" Hex Head | F05007-5 | 2 | |
| 24 | Plate, 1/4" Hose Clamp | S09245 | 2 | |
| 25 | Bolt, 5/16-18 x 3/4" Hex Head Grade 5 | F05006-102 | 2 | |
| 26 | Nut, 5/16-18 Hex Self-Locking | F05010-20 | 2 | |

11.6 Hydraulic Log Side Supports (Optional)



| REF | DESCRIPTION (◆ Indicates Parts Available In Assemblies Only) | PART # | QTY. |
|-----|--|--------|------|
| 1 | SUPPORT, HYDRAULIC LOG SIDE | W12339 | 2 |
| 2 | Fitting, 3/16" Straight Grease | P04107 | 2 |
| | CYLINDER ASSEMBLY, HYDRAULIC LOG SIDE SUPPORT | A09283 | 1 |
| 3 | Cylinder, 6" X 2" Hydraulic | P12845 | 1 |
| | Seal Kit, 6" x 2" Hydraulic Cylinder | P12954 | 1 |
| 4 | Fitting, 1/4" NPT x 1/4" JIC 90° Male Elbow | P09142 | 2 |
| 5 | Fitting, 1/4" NPT 90° Male Elbow | P09140 | 2 |
| 6 | Fitting, 1/4" NPT x 1/4" JIC Male Run 'T' | P09141 | 2 |
| 7 | Fitting, 1/4" NPT x 1/4" JIC Male Connector | P09143 | 2 |
| 8 | Valve, Hydraulic Sequence | 015484 | 2 |
| 9 | Fitting, 3/8" NPT - 1/4" NPT Reducer | 015490 | 4 |

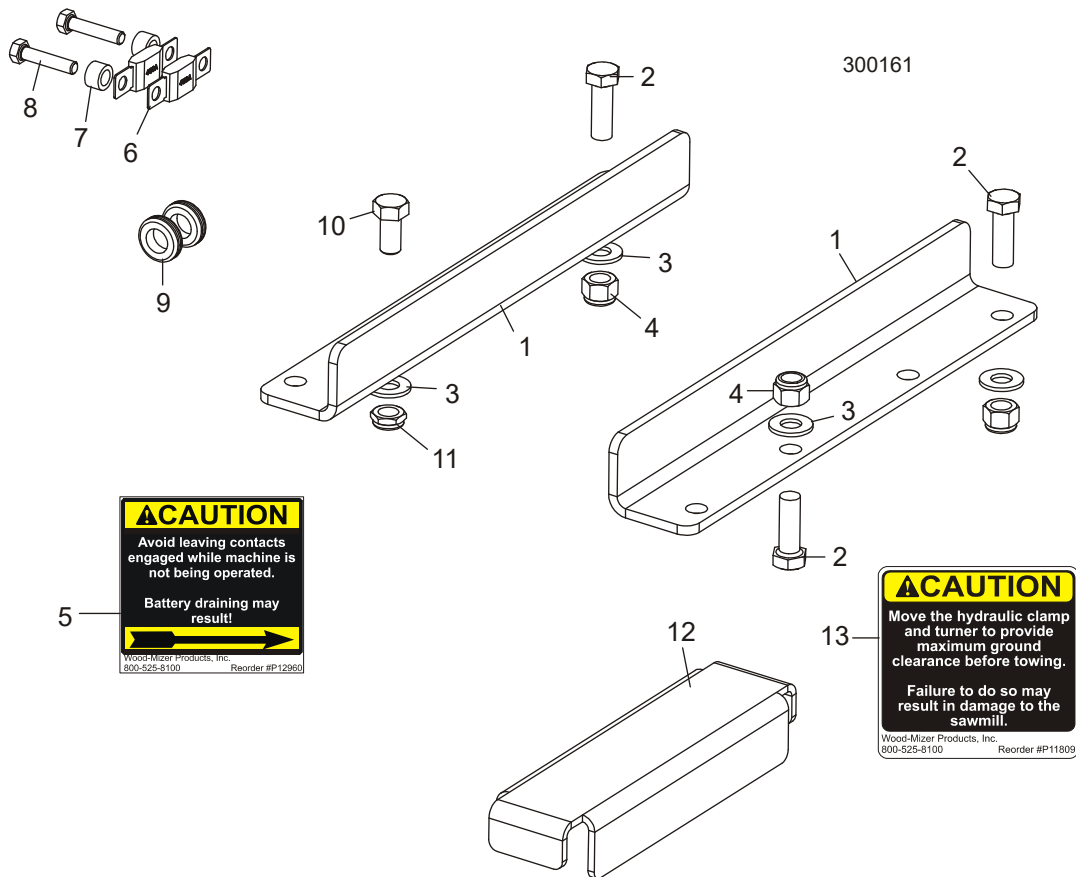
| | | | | |
|----|---|-----------------------|----|--|
| 10 | ROD, HYDRAULIC SIDE SUPPORT LINK | 015026 | 1 | |
| 11 | END, 1/2" ROD | P09137 | 2 | |
| 12 | BOLT, 1/2-13 X 2 1/4" HEX HEAD GRADE 5 | F05008-10 | 2 | |
| 13 | WASHER, 1/2" SAE FLAT | F05011-2 | 4 | |
| 14 | NUT, 1/2-13 HEX NYLON LOCK | F05010-8 | 2 | |
| 15 | NUT, 1/2-20 HEX JAM | F05010-16 | 1 | |
| 16 | PIN, CYLINDER MOUNT | S09251 | 2 | |
| 17 | WASHER, 1" SAE FLAT | F05011-28 | 4 | |
| 18 | PIN, 3/16" X 1 1/2" COTTER | F05012-23 | 4 | |
| | ROLLER KIT, SIDE SUPPORT (OPTIONAL) | 016562 | 2 | |
| 19 | Roller, Side Support | 016561 | 2 | |
| 20 | Washer, 5/8" SAE Flat | F05011-5 ¹ | 6 | |
| 21 | Bolt, 5/8-11 x 3 3/4" Hex Head Grade 5 | F05009-118 | 1 | |
| 22 | Nut, 5/8-11 Hex Nylon Lock Jam | F05010-96 | 1 | |
| 23 | Bushing, Bronze 5/8" x 1" x 3/4" | 016560 | 2 | |
| | Bolt, 1/2-13 x 3 1/2" Carriage Head | F05008-94 | 1 | |
| | Instruction Sheet, Side Support Roller | 016562-526 | 1 | |
| | GUARD KIT, STAINLESS STEEL SIDE SUPPORT (OPTIONAL) | 016798 | 1 | |
| 24 | Guard, Stainless Steel Side Support | 016722 | 4 | |
| 25 | Bolt, 1/4-20 x 1 3/4" Hex Head | F05005-4 | 8 | |
| 26 | Washer, 1/4" SAE Flat | F05011-11 | 16 | |
| | Washer, 5/8" SAE Flat | F05011-5 ¹ | 4 | |
| 27 | Nut, 1/4-20 Hex Nylon Lock | F05010-69 | 8 | |
| | Instruction Sheet, Stainless Steel Side Support Guard Retro | 016798-1005 | 1 | |

¹ Additional 5/8" SAE Flat Washer F05011-5 may be required on each side of side support to provide clearance for optional stainless steel side support guards. Extra washers are included in the stainless steel guard retrofit kit (016798).

11 Bed Hydraulic System

Miscellaneous Loader & Turner Parts

11.7 Miscellaneous Loader & Turner Parts



| REF | DESCRIPTION (◆ Indicates Parts Available In Assemblies Only) | PART # | QTY. |
|-----|--|------------|------|
| 1 | PLATE, AXLE MOUNT | 048269 | 2 |
| 2 | BOLT, 1/2-13 X 1 1/2" HEX HEAD GRADE 5 | F05008-33 | 3 |
| 3 | WASHER, 1/2" SAE FLAT | F05011-2 | 4 |
| 4 | NUT, 1/2" HEX NYLON LOCK | F05010-8 | 3 |
| 5 | DECAL, HYDRAULIC CONTACT CAUTION | P12960 | 1 |
| 6 | FUSE, 225A 32V MEGA | 053339 | 2 |
| 7 | SPACER, .39" X .625" X .39" | 055323 | 2 |
| 8 | BOLT, 5/16-18 X 1 1/2" HEX HEAD FULL THREAD | F05006-2 | 2 |
| 9 | GROMMET, 5/8" ID RUBBER | P11764 | 2 |
| 10 | BOLT, 1/2-13 X 1" HEX HEAD GRADE 8 | F05008-128 | 1 |
| 11 | NUT, 1/2-13 HEX NYLON HALF NUT | F05010-127 | 1 |
| 12 | PLATE, HLT TRAVEL | 025745 | 1 |
| 13 | DECAL, BEFORE TOWING CAUTION | P11809 | 1 |

SECTION 12 ACCESSORIES

LT35

| REF | DESCRIPTION | MASTER | |
|-----|------------------------------------|-----------------------|--|
| | LATHE-MIZER (SEE MANUAL) | M1337 | |
| | LATHE-MIZER TENON KIT (SEE MANUAL) | M1308 | |
| | RS2 RESAW (SEE MANUAL) | M1624 | |
| | SHINGLE LAP SIDER (SEE MANUAL) | M903 | |

13 Trailers

SECTION 13 TRAILERS

LT35

| REF | DESCRIPTION | MASTER | |
|-----|--|----------------------|--|
| | ELECTRIC BRAKE TRAILER OPTION (SEE MANUAL) | M796 | |
| | SURGE BRAKE TRAILER OPTION (SEE MANUAL) | M794 | |

SECTION 14 MISCELLANEOUS

14.1 Replacement Manuals



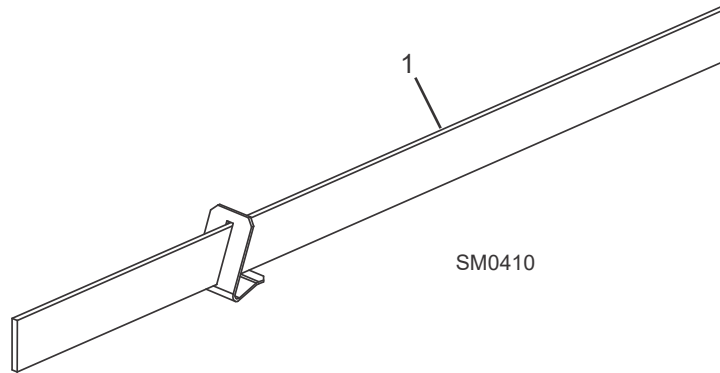
| REF | DESCRIPTION (◆ Indicates Parts Available In Assemblies Only) | PART # | QTY. |
|---------------------------------------|--|---------|------|
| Wood-Mizer Product Information | | | |
| 1 | ALL-PRODUCTS CATALOG | PS750 | 1 |
| Basic Sawmill Manuals | | | |
| 2 | TRU-SHARP BLADE HANDBOOK | M600 | 1 |
| 3 | WOOD-MIZER GENERAL INFORMATION | M601 | 1 |
| 4 | LT35 OPERATOR'S MANUAL | M1773 | 1 |
| 5 | LT35 PARTS MANUAL | M1775 | 1 |
| Power Option Manuals | | | |
| 6 | D17 ENGINE OPTION MANUAL (LT35) | M1723 | 1 |
| 7 | G25 ENGINE OPTION MANUAL (LT35) | M1725 | 1 |
| Trailer Option Manuals | | | |
| 8 | ELECTRIC BRAKE TRAILER OPTION | M796 | 1 |
| 9 | SURGE BRAKE TRAILER OPTION | M794 | 1 |
| Miscellaneous Option Manuals | | | |
| 10 | MANUAL WINCH OPTION MANUAL | M619-23 | 1 |
| 11 | LOG TURNER OPTION MANUAL | M620 | 1 |
| 12 | MANUAL TOE BOARD OPTION MANUAL | M627 | 1 |
| 13 | SHINGLE/LAPSIDER OPTION MANUAL | M621 | 1 |
| 14 | RESAW ATTACHMENT OPTION MANUAL | M263 | 1 |
| 15 | BED EXTENSION OPTION MANUAL | M294 | 1 |
| 16 | LATHE-MIZER OPTION MANUAL | M1337 | 1 |

14

Miscellaneous

Tools

14.2 Tools



| REF | DESCRIPTION (◆ Indicates Parts Available In Assemblies Only) | PART # | QTY. | |
|-----|--|--------|------|--|
| 1 | ALIGNMENT TOOL, BLADE GUIDE | LTBGAT | 1 | |

INDEX

B

- battery box 7-14
- bed rails
 - front/rear 10-1
 - middle front 10-3
 - middle rear 10-4
 - pivot 10-8
- blade guide arm 2-5
- blade guides
 - drive side 2-3
 - idle side 2-1
- blade tensioner 3-6
- blade wheels
 - drive side 3-1
 - idle side 3-2

C

- control box 7-3, 7-6
 - drum switches 7-9
 - front panel & harnesses 7-11, 7-12, 7-13
- covers
 - blade housing 4-4

D

- decals
 - frame 10-12
 - saw head 4-2

E

- engine options 5-1

F

- feed chain 9-6

H

- hydraulic
 - hoses 11-1
 - loader/turner misc. 11-12
 - log loader 11-6
 - power strip 11-4

L

- log clamp 10-13
- log loading ramps 10-14

M

- manuals 14-1, 14-2

O

- options, accessories and trailers 6-1, 12-13, 13-1
- outfeed table option 10-15

P

- parts list
 - how to use 1-1
- power feed 9-3, 9-5

S

- sawdust chute 4-5
- side supports 10-9

T

tensor de hoja 3-4

track rollers
upper 9-1

U

up/down
drive 8-3, 8-11
saw head mount 8-1
Simple Set sensor 8-14, 8-16, 8-18

W

water lube
bottle/tray 4-1
bottle/tray (D10, E10, G13 & G15) 4-1

winch 10-16